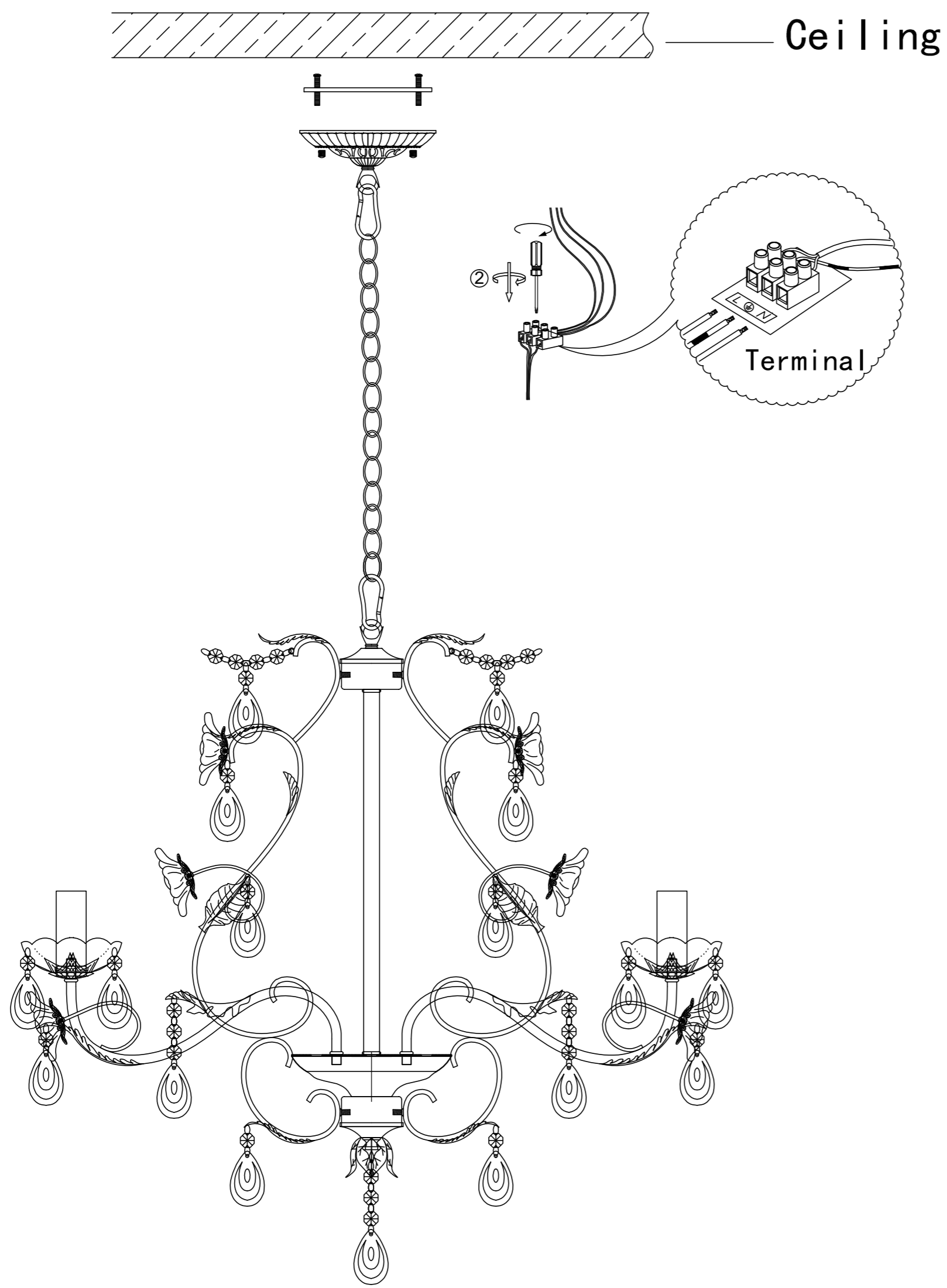


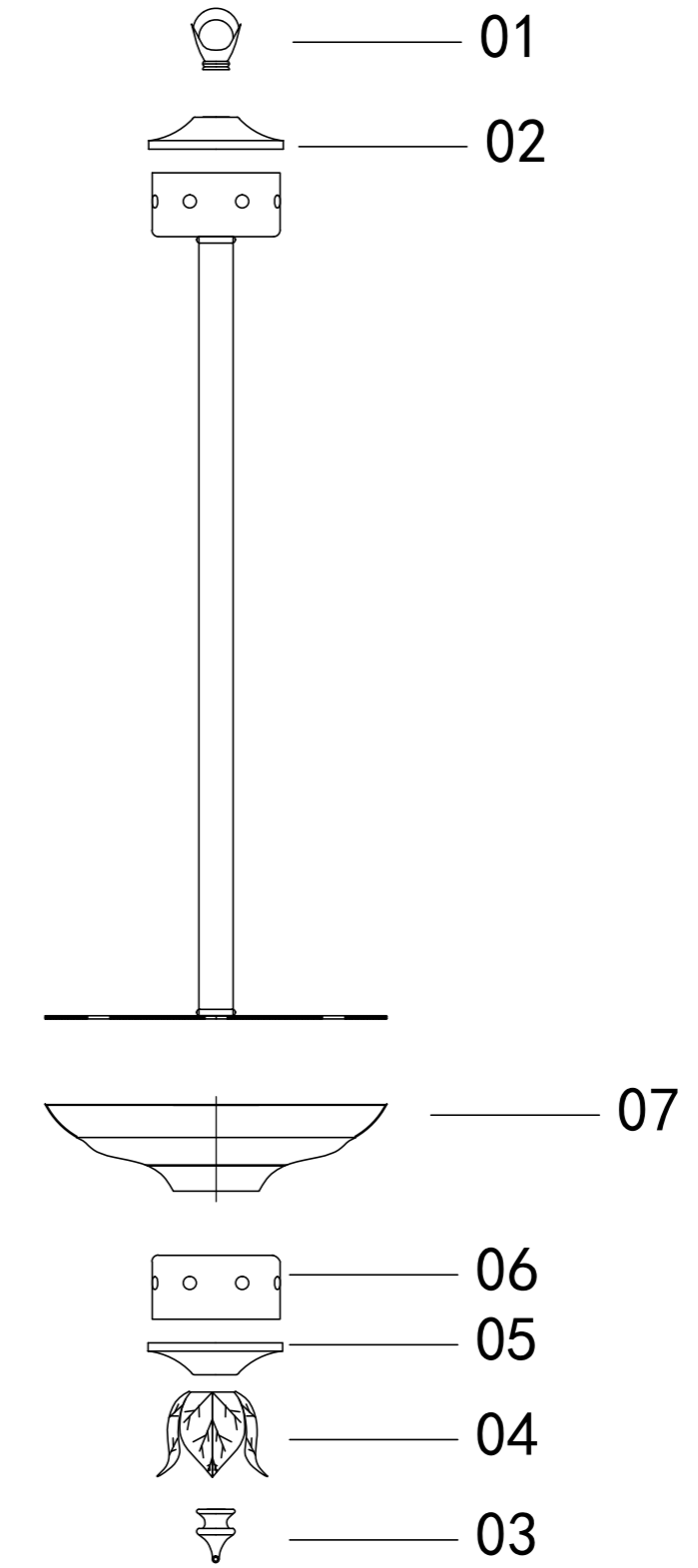
Installation Instruction

The Overall Look of the Chandelier



Part 1: Lamp Body Disassembly

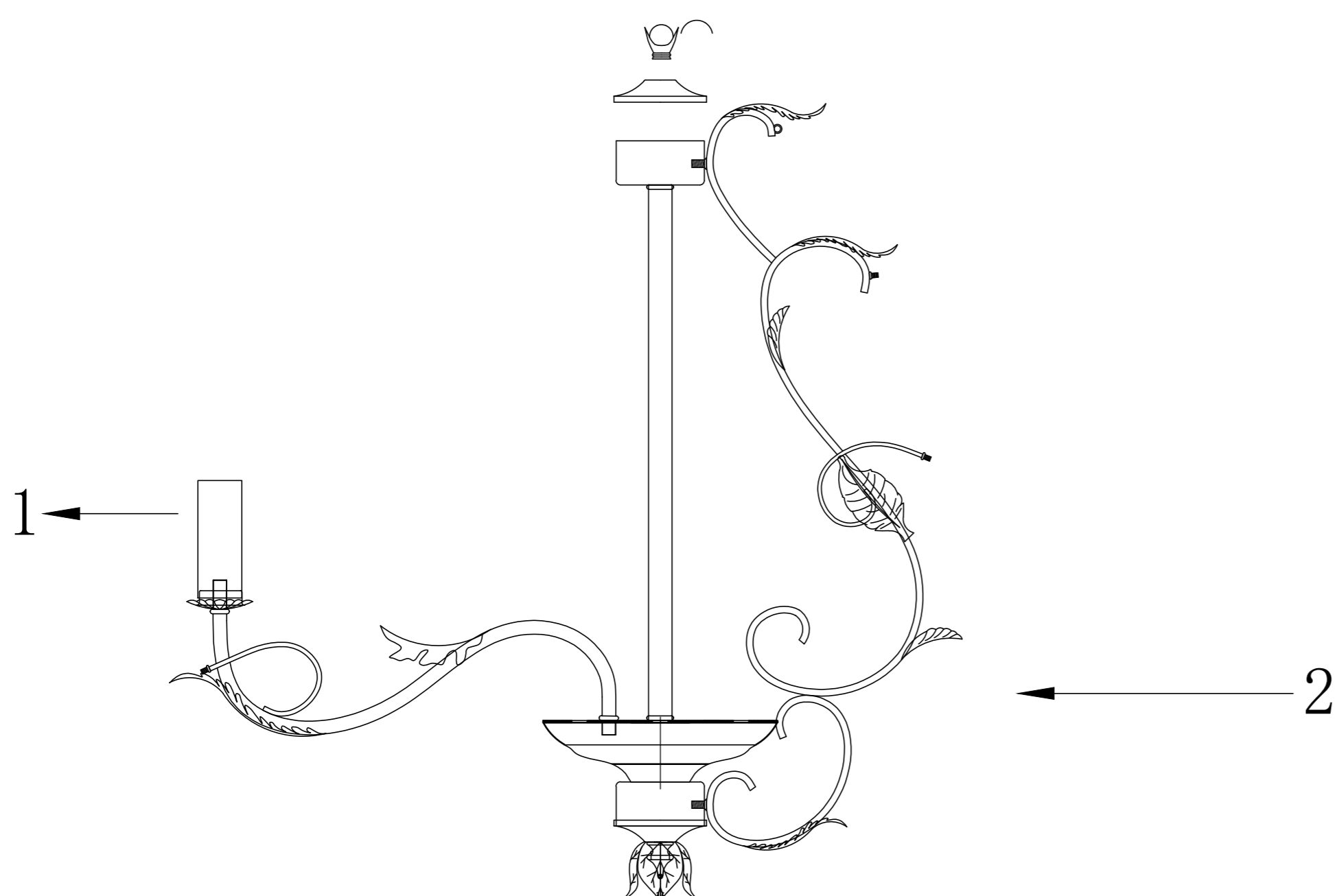
Disassemble the lamp body according to the numbers.



Part 2: Lamp Arms Assembly

01 Fasten the eight lamp arms and lock the hexagon nuts. Connect up the wires. The transparent wire goes through the lamp body to the ceiling.

02 Lock the lower hexagon nuts first, and then the upper ones when you assemble the bend arms. When the above steps finish, tighten the screws back and reconstruct the lamp body.



Part 3: Crystals and Roses Assembly

