

ASSEMBLING INSTRUCTION

A X1PC



B X1PC



C X1PC



D X1PC



E X1PC



F X4PCS



G X5PCS



H X1PCS



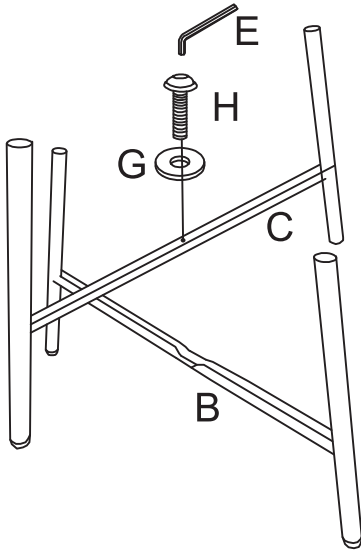
I X4PCS



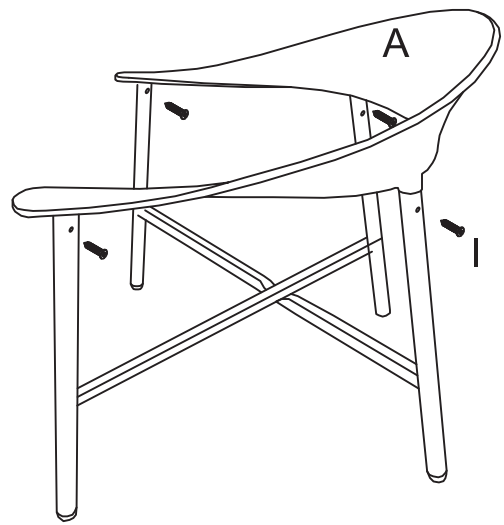
J X1PCS



1

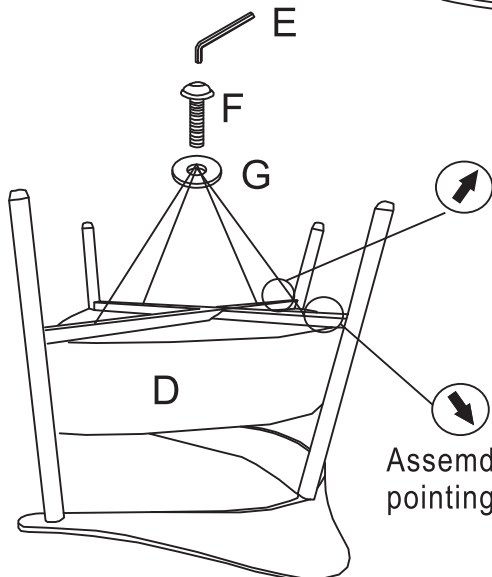
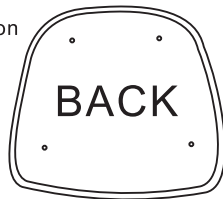


2



3

Pay attention to the position of the cushion holes.



Assemble with arrows pointing outward

4

