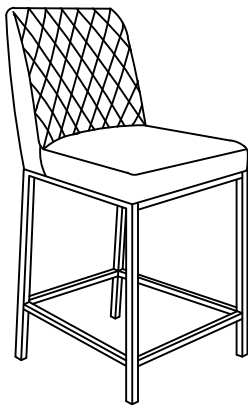


ASSEMBLY INSTRUCTIONS

STOOL



+ Do Not Use PowerTools



+ Suggested Adults



NOTE:

- 1 Read instructions cover to cover.
- 2 Save all packaging until assembly is completed.

1 IMPORTANT SAFETY INFORMATION

Do not assemble the product if any of the following parts arrived damaged:

- | | |
|-------------------------|---------------------------|
| Part ① Backrest | Part ⑤ Rail(405mm) |
| Part ② Left Leg | Part ⑥ Rail(440mm) |
| Part ③ Right Leg | Part ⑦ Rail(400mm) |

Part ④ Rail(440mm)

Do not assemble if any of the following Hardware parts are missing:

- | |
|----------------------------------|
| Part A Bolt(1/4"*3/4") |
| Part B Spring Washer 1/4" |
| Part C Flat Washer 1/4" |
| Part D Allen Key(4mm) |

2 IMPORTANT ASSEMBLY INFORMATION

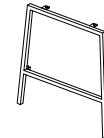
Assembly Step If loosening persists, Please make sure to tighten all the bolts periodically, or use a thread locker adhesive.

+ Parts Included

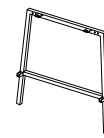
- ① Backrest
1PC



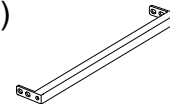
- ② Left Leg
1PC



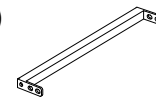
- ③ Right Leg
1PC



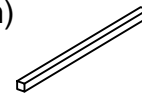
- ④ Rail(440mm)
1PC



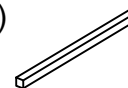
- ⑤ Rail(405mm)
1PC



- ⑥ Rail(440mm)
1PC



- ⑦ Rail(400mm)
1PC



+ Hardware Included

- | | |
|--------------------------|-----------------------------|
| A Bolt(1/4"*3/4") | B Spring Washer 1/4" |
| 16 PCS | 16 PCS |



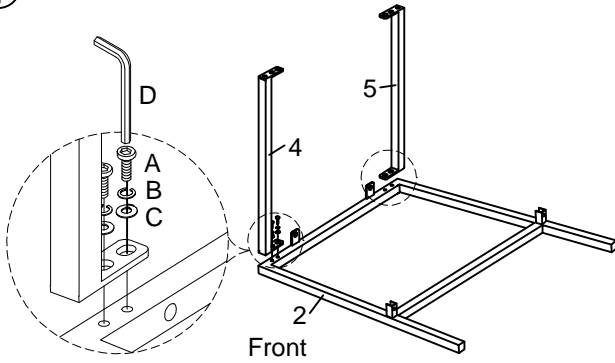
- | | |
|---------------------------|-------------------------|
| C Flat Washer 1/4" | D Allen Key(4mm) |
| 16 PCS | 1 PC |



ASSEMBLY INSTRUCTIONS

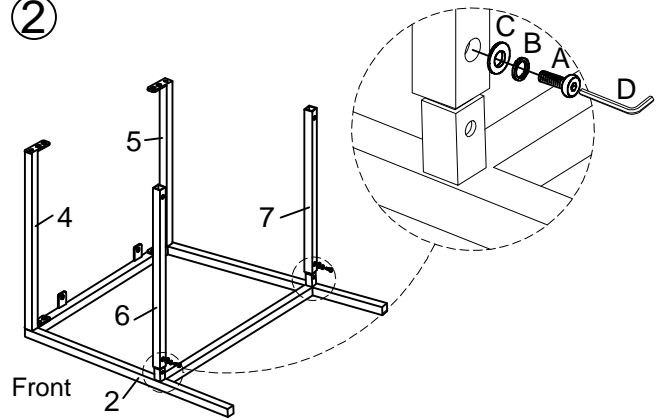
STOOL

①



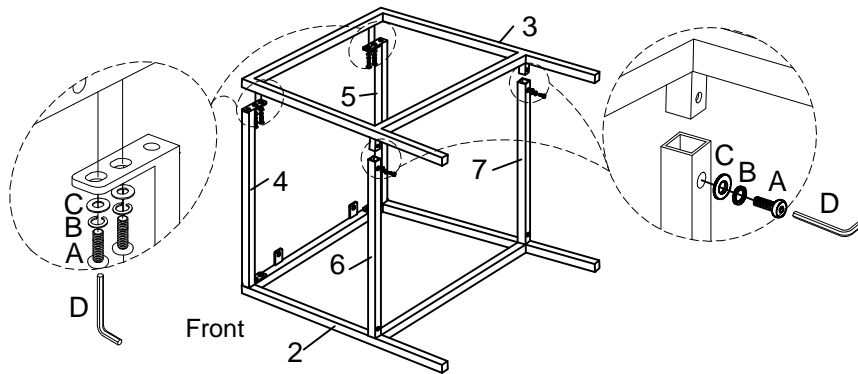
Note: At this stage, do not fully tighten the bolts.

②



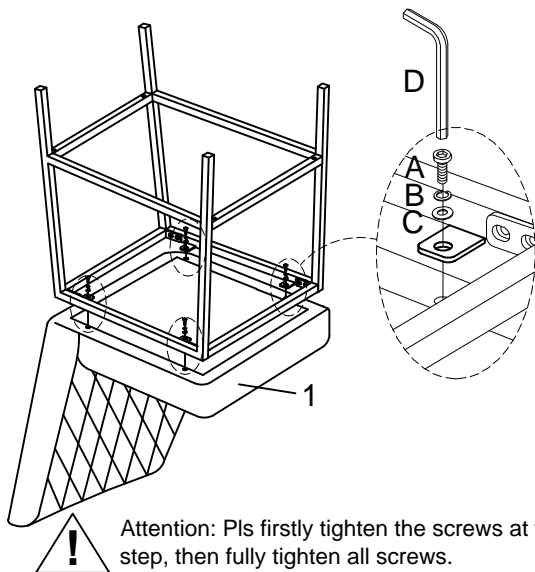
Note: At this stage, do not fully tighten the bolts.

③



Note: At this stage, do not fully tighten the bolts.

④



⑤

