

Instruction Manual



We'd Love to Hear from You!

We cherish the voice of every customer. Share your thoughts with us and get a \$10 gift card reward.

Step1: Send your thoughts with order ID to us.

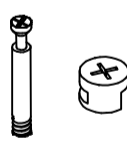
Step2: Receive our \$10 gift card rewards right now

Tips! Check all the components & screws before assembly. Do not install in case part is missing, contact us to get.

Components					
①		1	⑧		1
②		1	⑨		1
③		1	⑩		1
④		1	⑪		2
⑤		1	⑫		2
⑥		1	⑬		1
⑦		1			

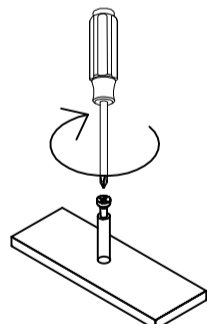
Screws&Tools			
Ⓐ			8
Ⓑ		M5*50mm	8
Ⓓ		M5*70mm	4
Ⓖ		M6*35mm	8
Ⓗ		M6*40mm	4
Ⓢ		M4*18mm	2
Ⓩ			

Bolt A installation

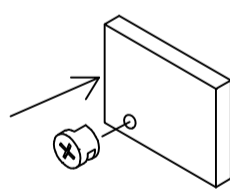


Note:
Bolt A is used in
5 6 7

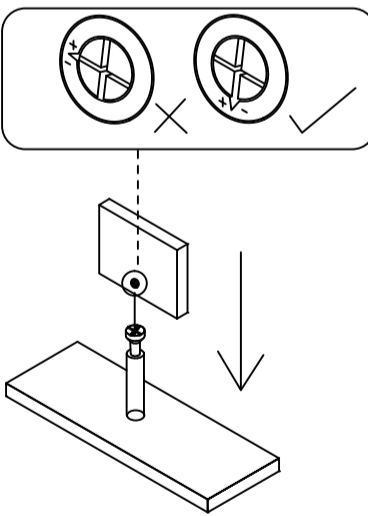
Step 1



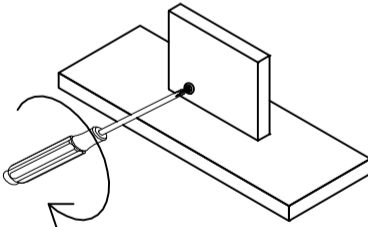
Step 2



Step 3



Step 4



Trouble shooting

Missing parts	Other issues
↓	↓
Send email with your question	Send email with your question
↓	↓
Resend within 24 hours	Resend within 24 hours
↓	↓
Issue resolved	Issue resolved

We control manufacturing and distribution ourselves, ensure the quality.

