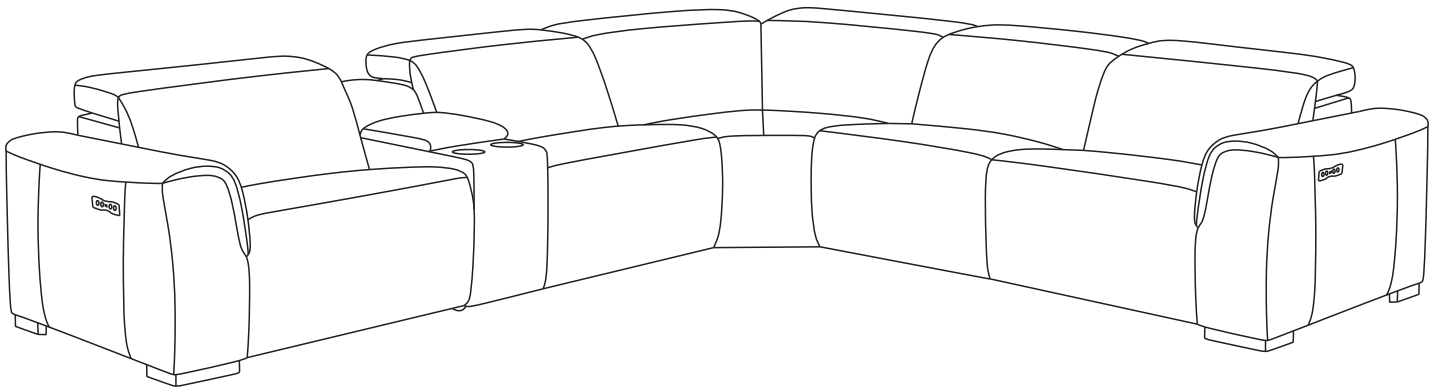


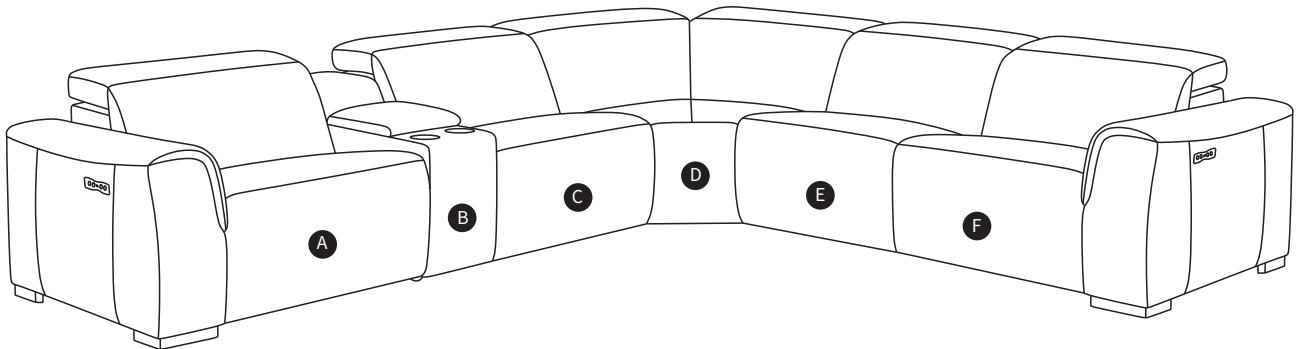
6 PCs Sectional KM.398H Assembly Manual

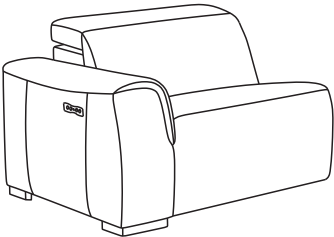
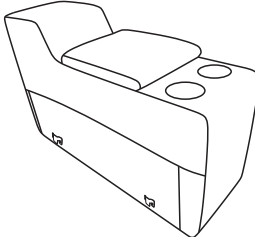
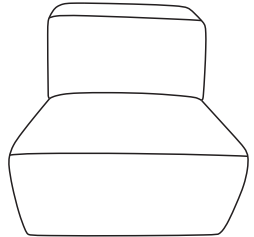
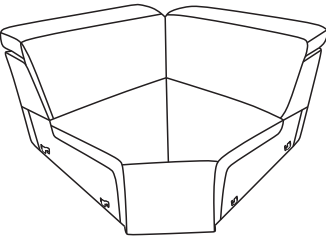
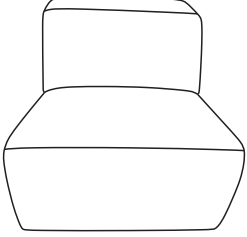
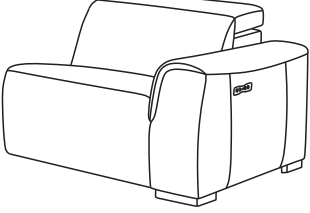


⚠ CAUTION

THIS ASSEMBLY MANUAL CONTAINS IMPORTANT SAFETY INFORMATION.
PLEASE READ AND KEEP FOR FUTURE REFERENCE.

COMPONENTS

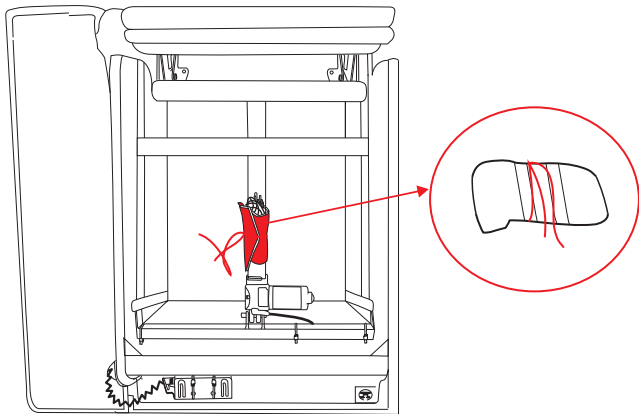


<p>A</p>  <p>Left-arm sofa</p>	<p>B</p>  <p>Coffee table</p>	<p>C</p>  <p>Armless sofa-1</p>
<p>D</p>  <p>Corner sofa</p>	<p>E</p>  <p>Armless sofa-2</p>	<p>F</p>  <p>Right-arm sofa</p>

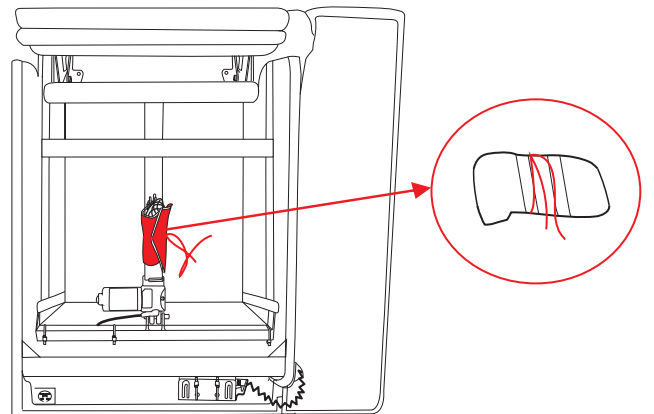
ASSEMBLY

Step 1

Find red protectors at the bottom, remove them before using.



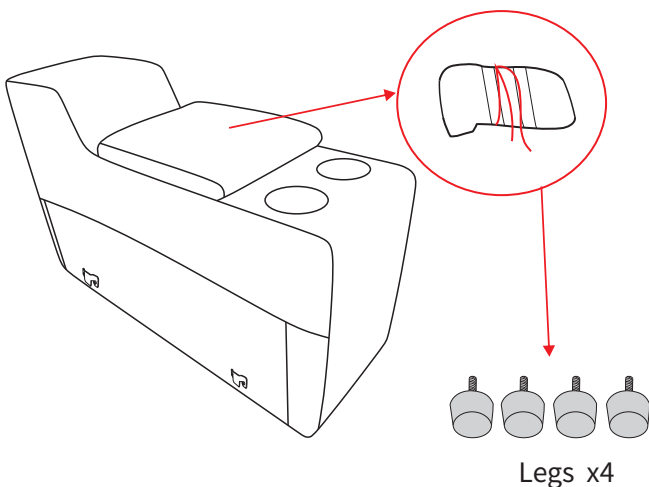
A Left-arm sofa



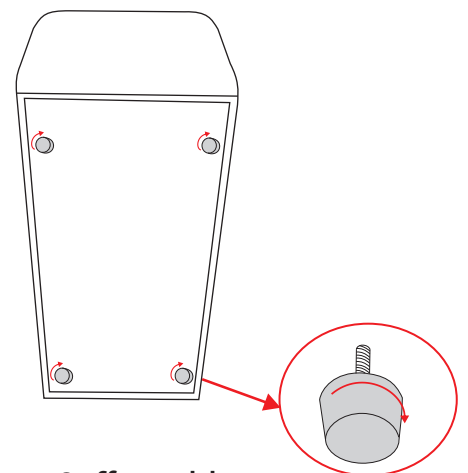
F Right-arm sofa

Step 1

Rotate the Legs firmly, and gently place the coffee table in the upright position to complete the assembly.



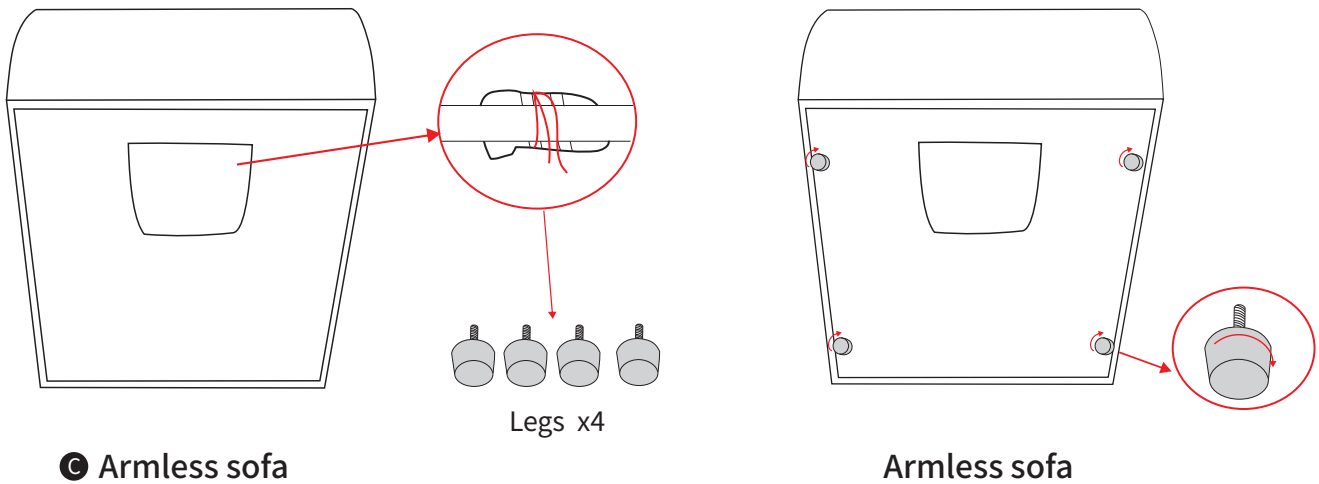
B Coffee table



Coffee table

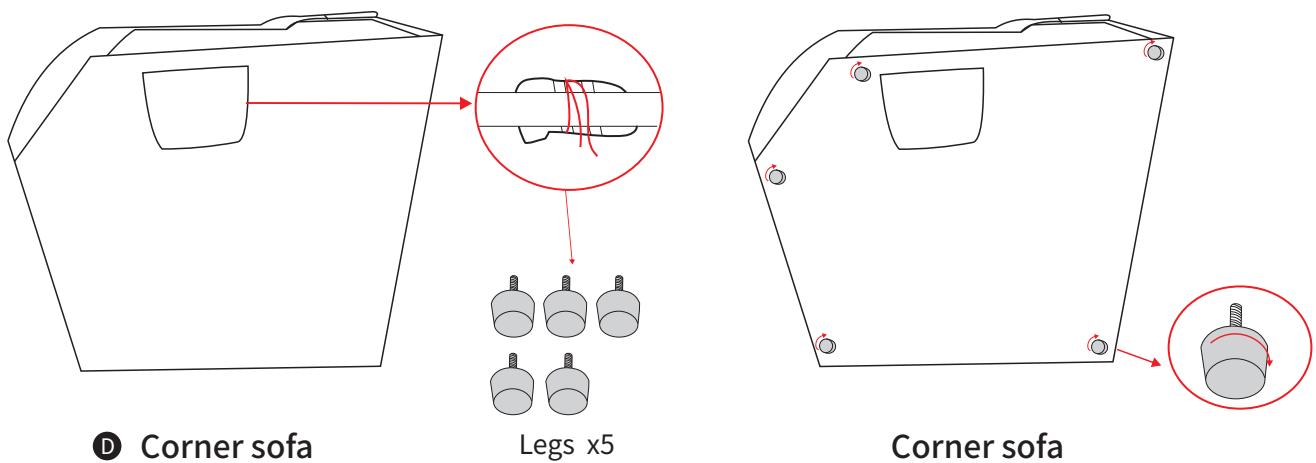
Step 3

Rotate the Legs firmly, and gently place the armless sofa in the upright position to complete the assembly.



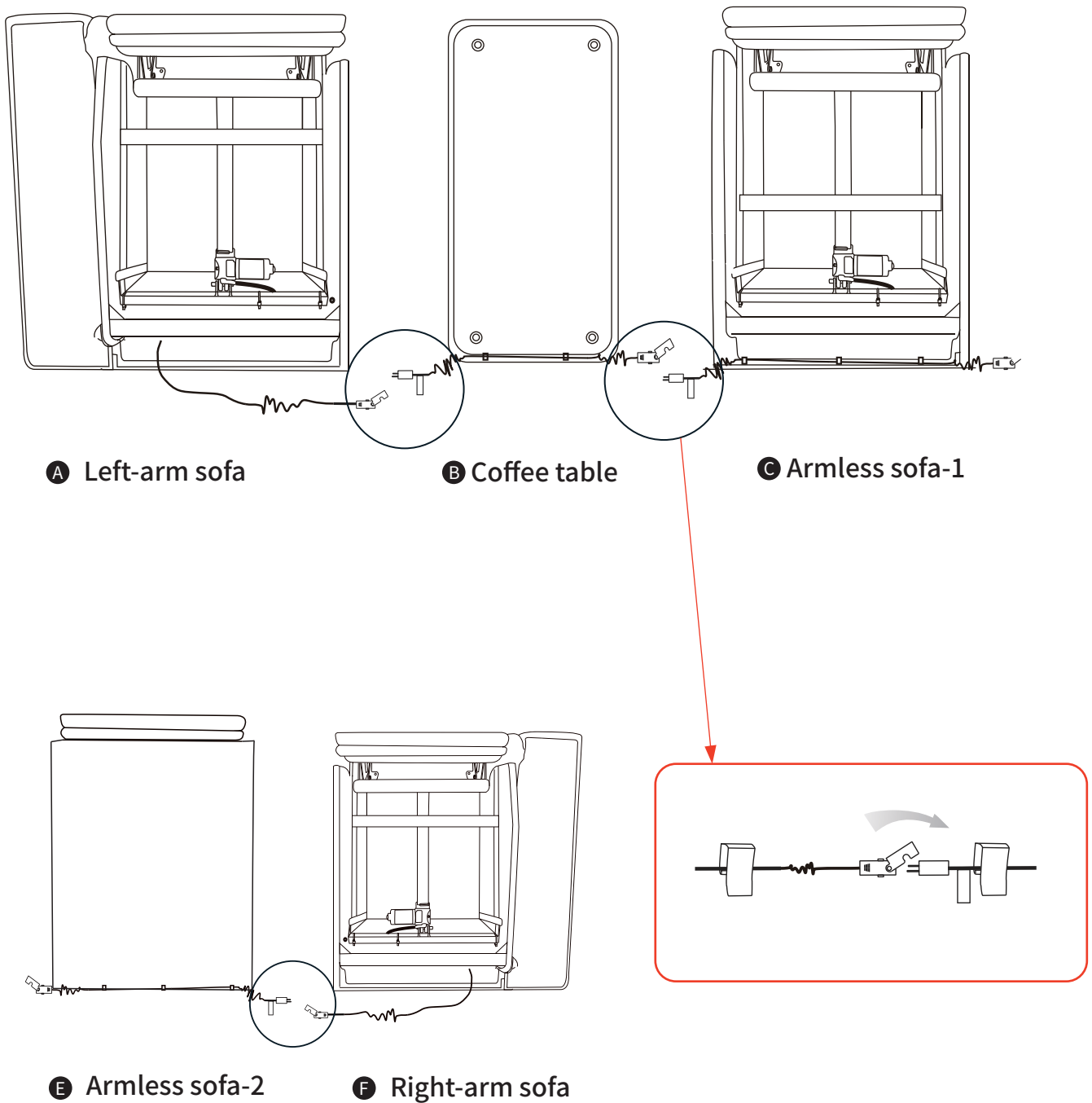
Step 4

Rotate the Legs firmly, and gently place the corner sofa in the upright position to complete the assembly.



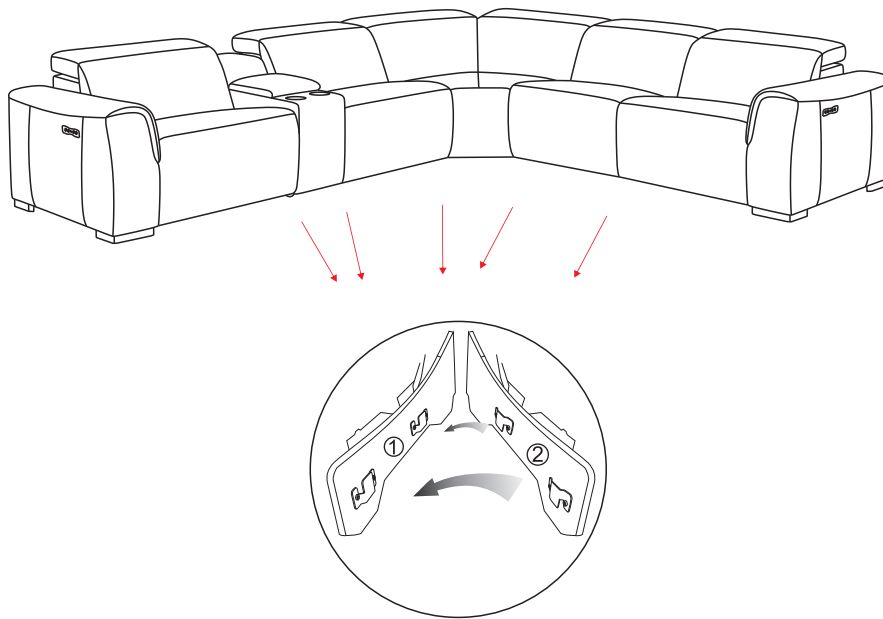
Step 5

Cable connections between components are shown in the figure above.



Step 6

Group each sofa together by connecting pieces.



Step 7

Connect one end of the power cord into the DC adaptor located at the back of the seat. Plug the other end of power cord into the power outlet.

