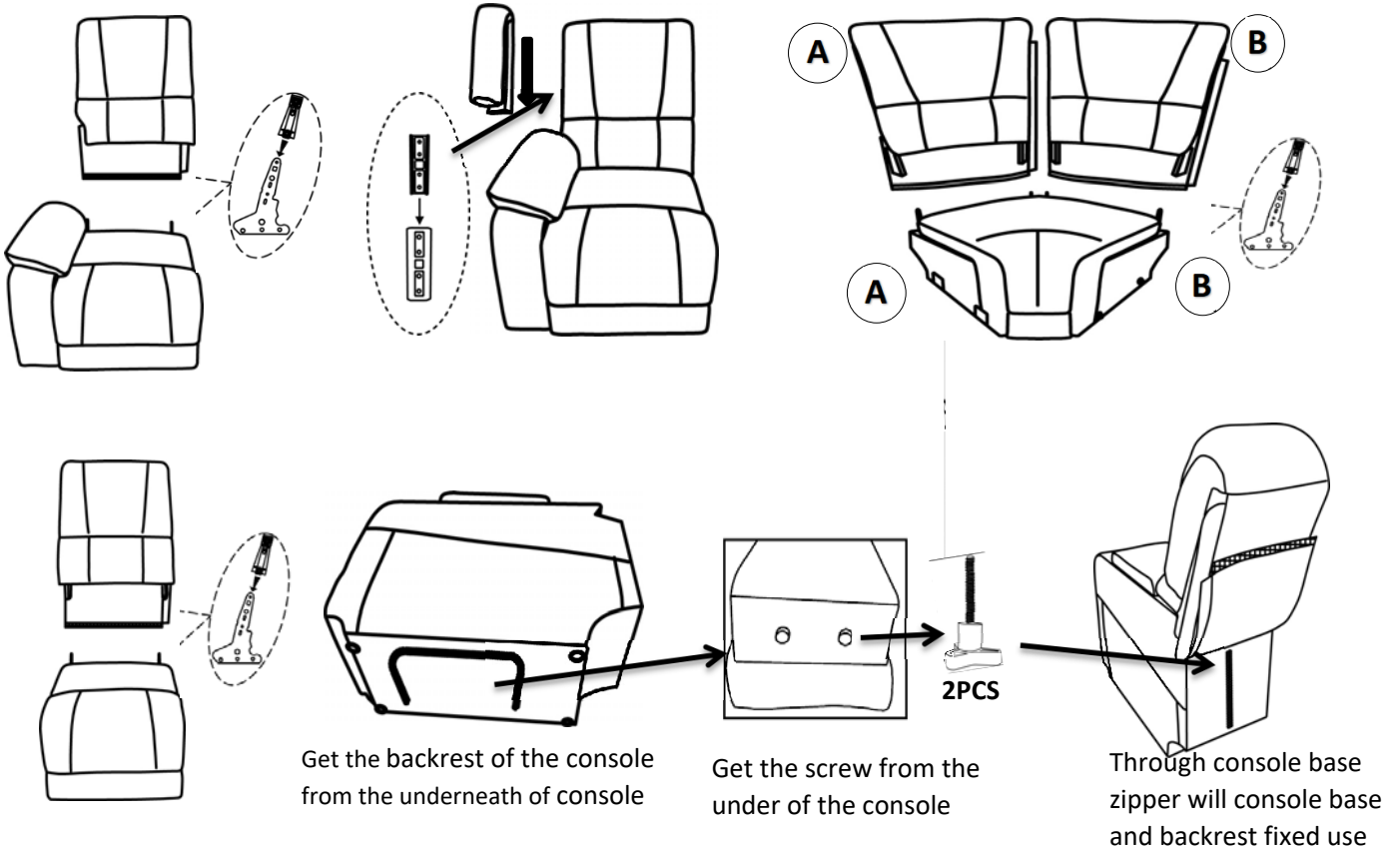


Modular Sofa Assemble Instruction (Model 5101)

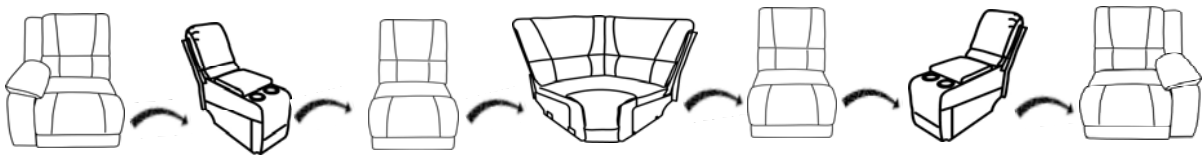
Step 1: BACK CUSHION ASSEMBLY INSTRUCTION

TWO PERSON ASSEMBLY. INSERT BACK CUSHION INTO THE BASE ON BOTH SIDES AT THE SAME TIME FOR QUICK AND EASY ASSEMBLY. CONCERNING THE WEDGE, MAKE SURE TO PUT BACK "A" TO "A" SIDE, BACK "B" TO "B" SIDE.



Step 2: SET UP THE SECTIONAL

LIFT THE PIECES ON THE OPEN END WHERE HOOK IS LOCATED AND LET THE DOWNWARD HOOK SLIDE INTO THE UPWARD HOOK SLOT.



Step 3: DIFFERENT CONFIGURATIONS OF THE SECTIONAL

