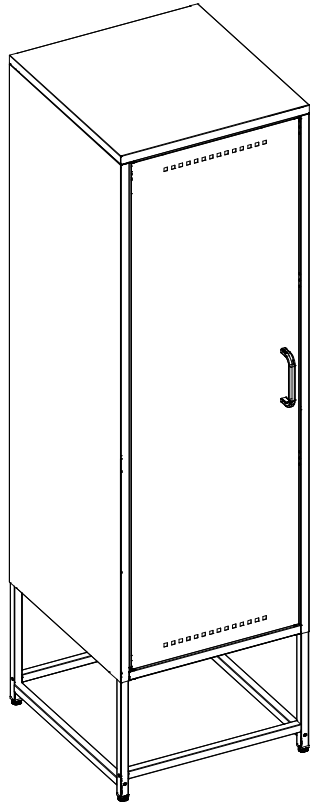
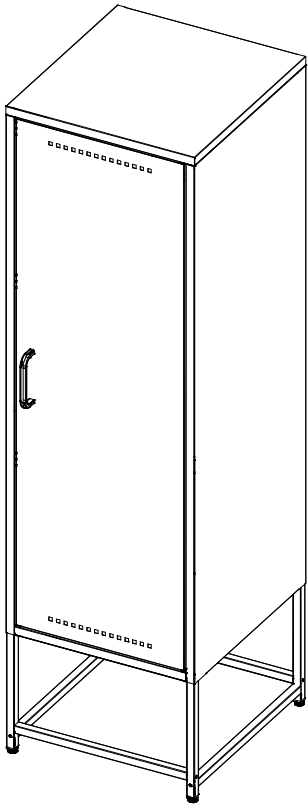
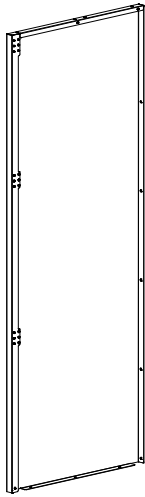


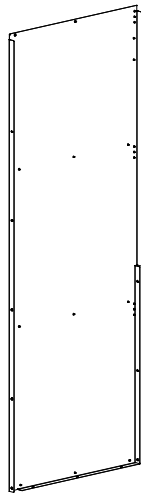
I

II

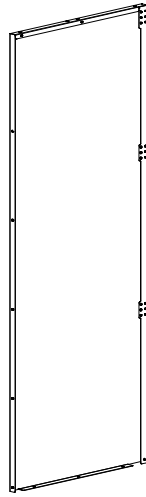




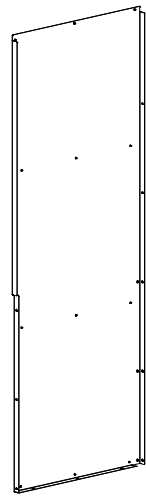
Ax1



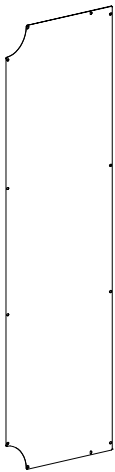
Bx1



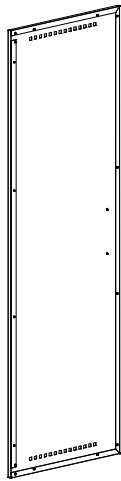
Cx1



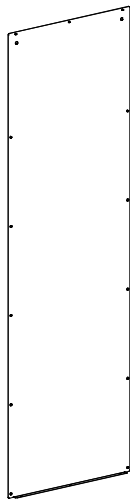
Dx1



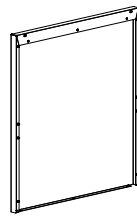
Ex1



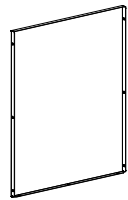
Fx1



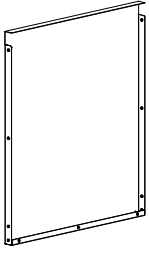
Gx1



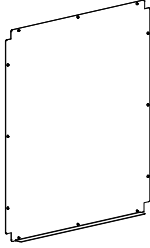
Hx1



Ix2



Jx1



Kx1



Lx1



Mx1



Nx2



Ox4



Px2



Qx2

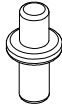
$\frac{355 \times 15}{14.0 \times 0.6}$ $\frac{328 \times 15}{12.9 \times 0.6}$



Rx120



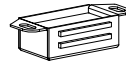
Sx1



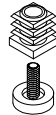
Tx1



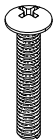
Ux1



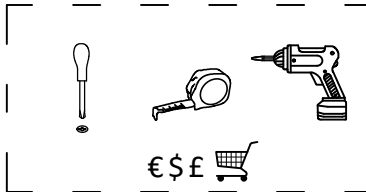
Vx1



Wx4



Xx8



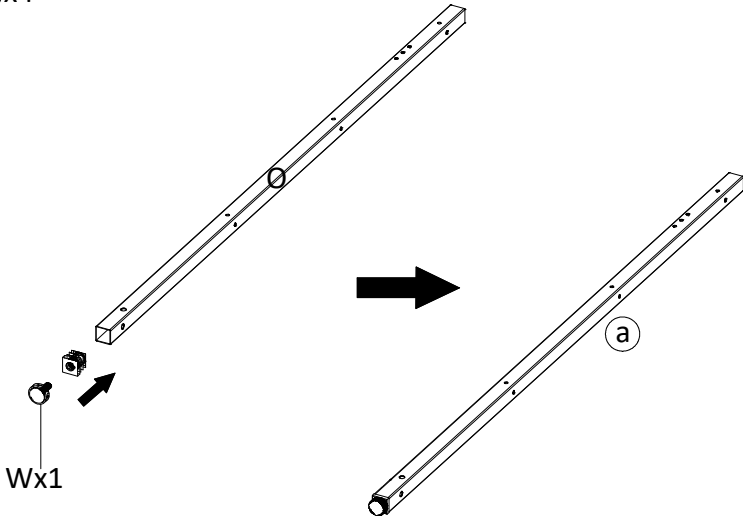
mm
inch

x2

Wx4



1 x4

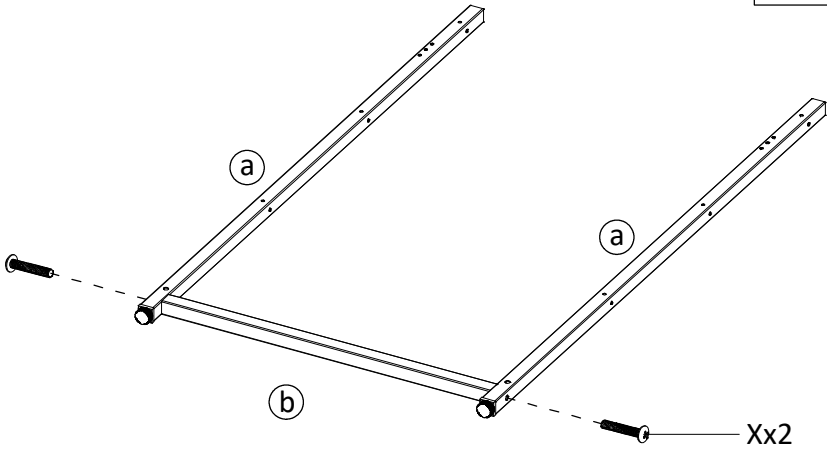


Wx1

Xx4

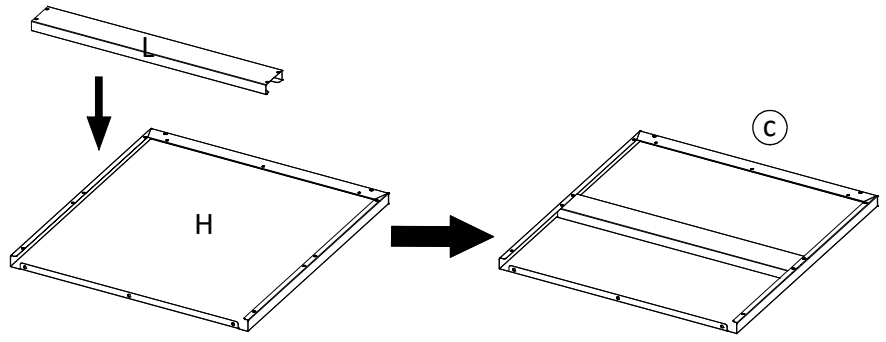


2 x2

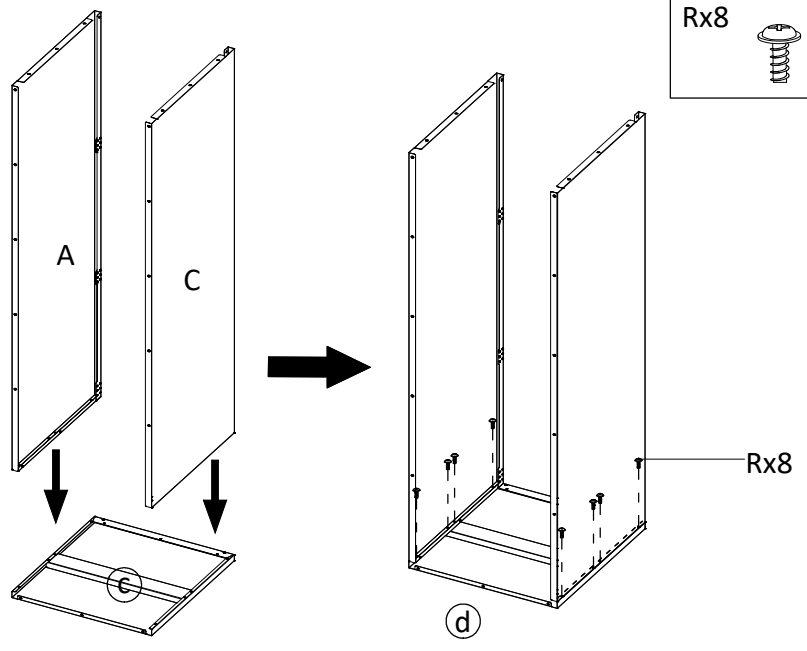


Xx2

3



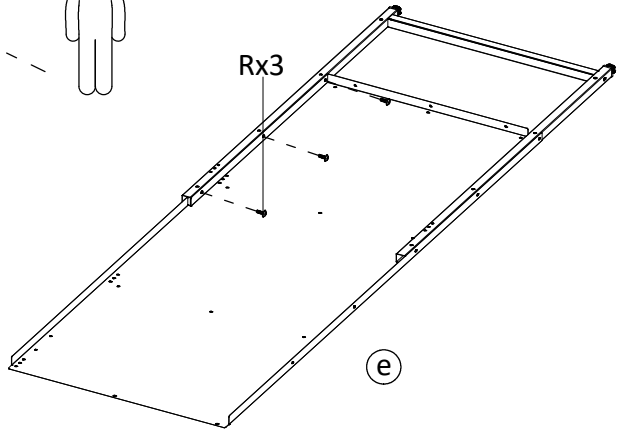
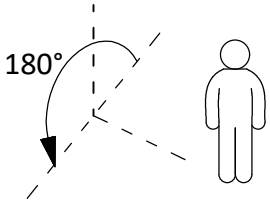
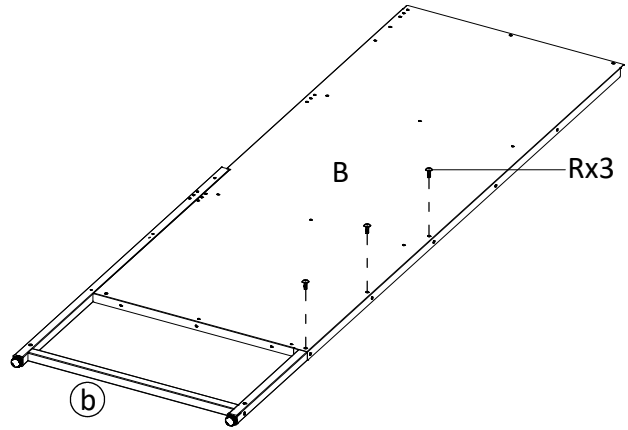
4



Rx6



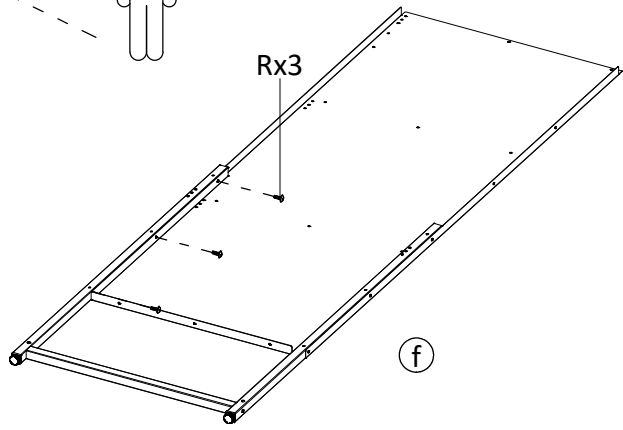
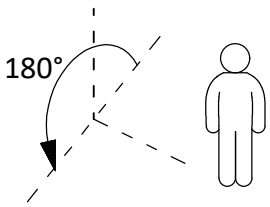
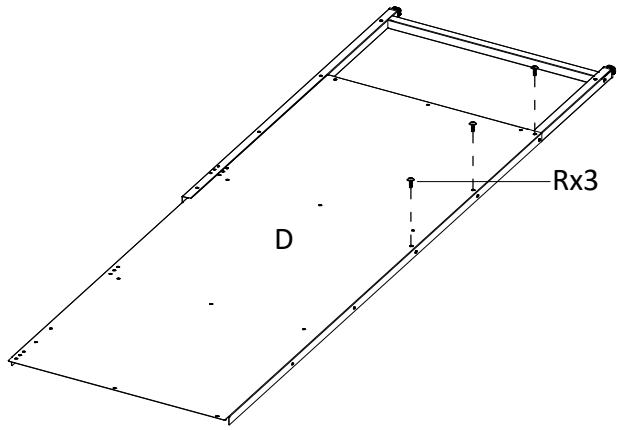
5



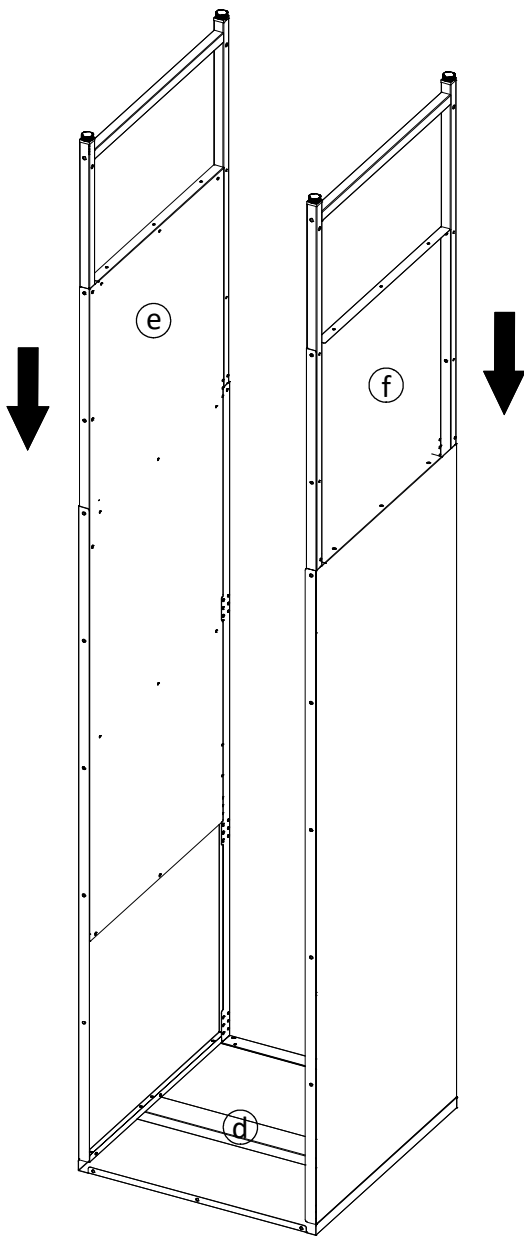
Rx6

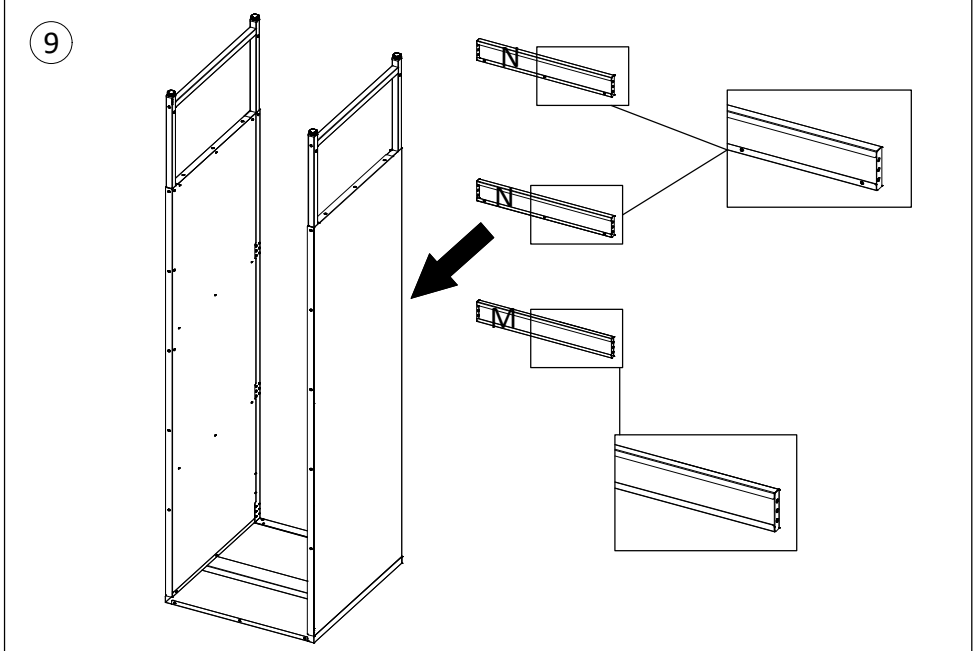
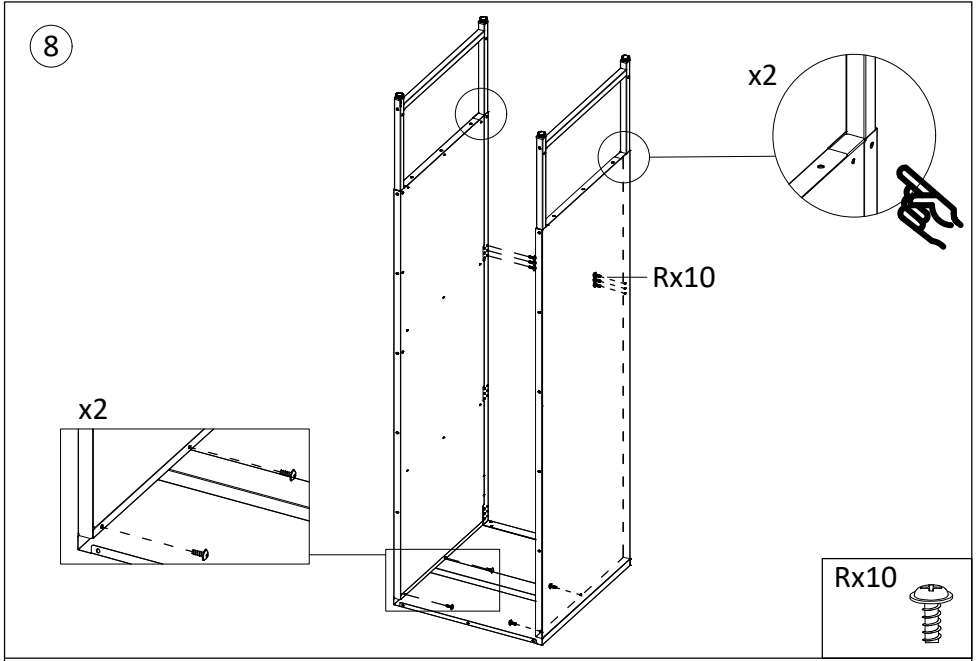


6



7

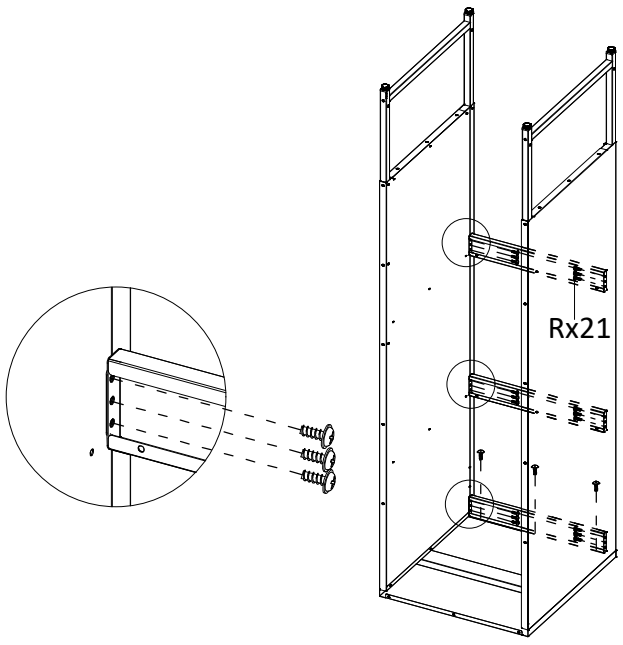




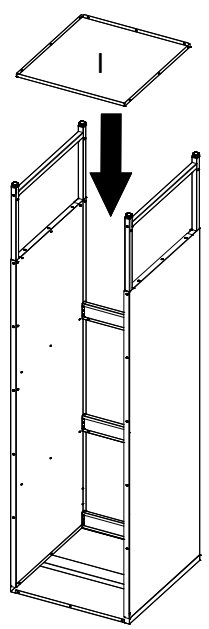
Rx21



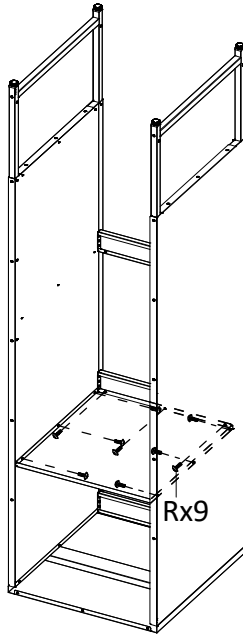
10



11



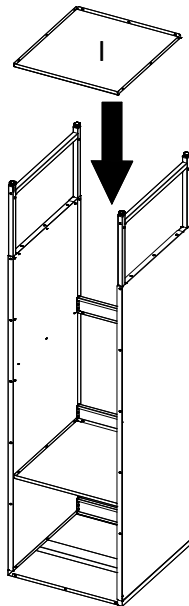
12



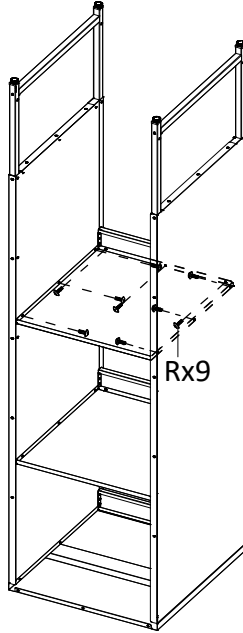
Rx9



13



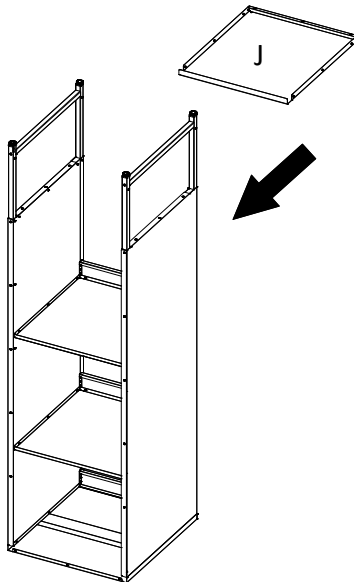
14



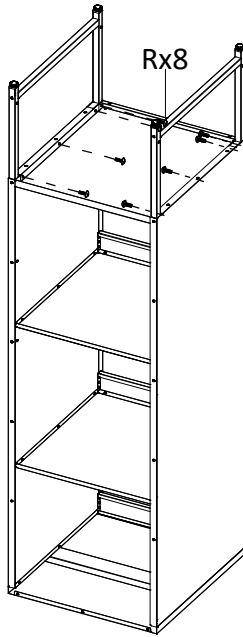
Rx9



15



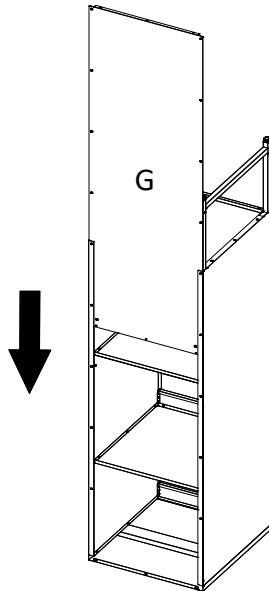
16



Rx8

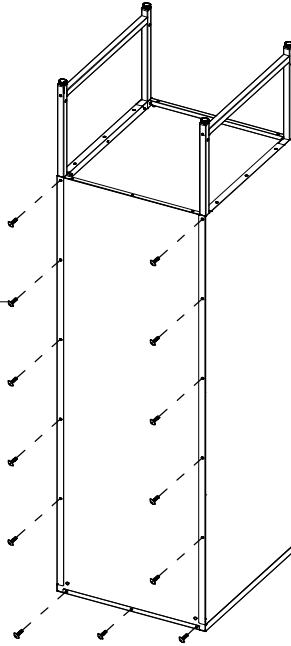


17



18

Rx13

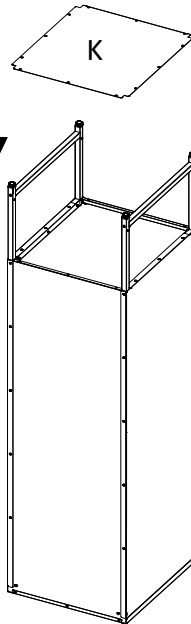


Rx13

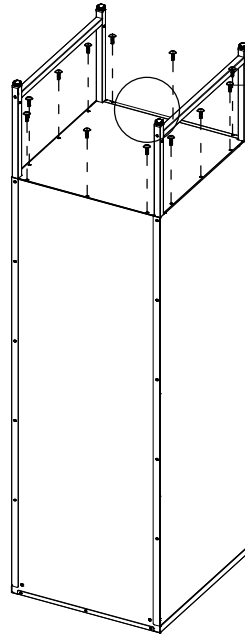
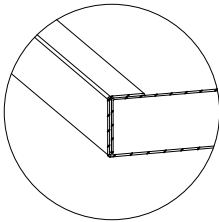
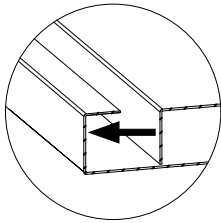


19

K



20

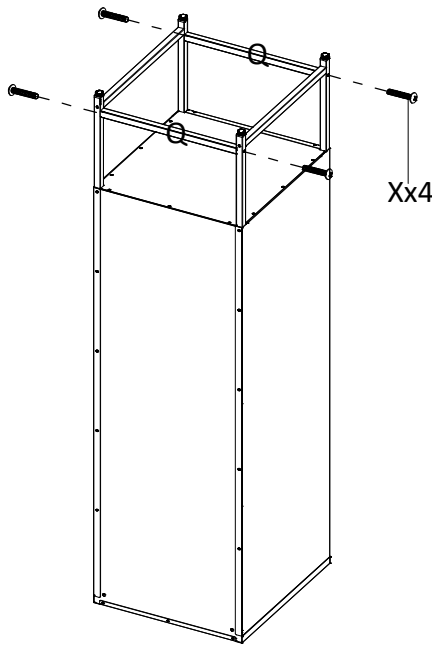


Rx12

Rx12



21

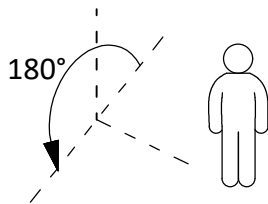
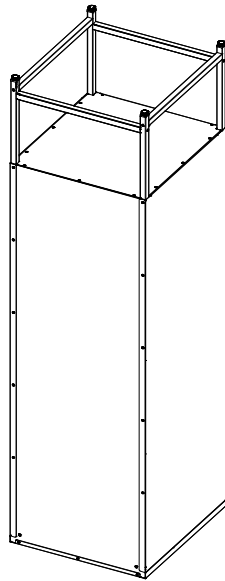
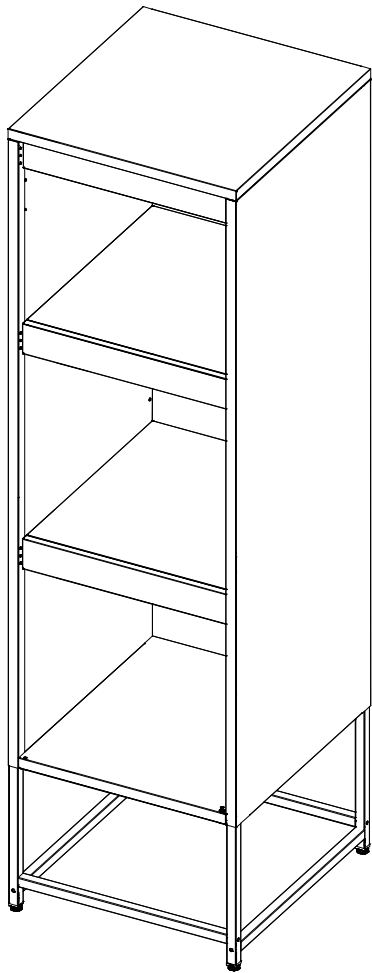


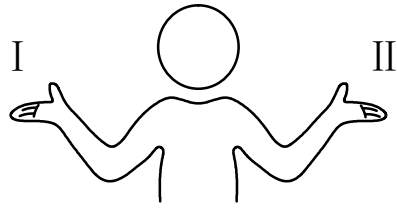
Xx4

Xx4



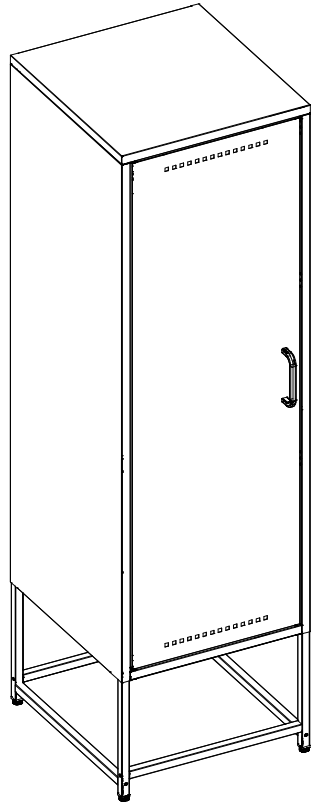
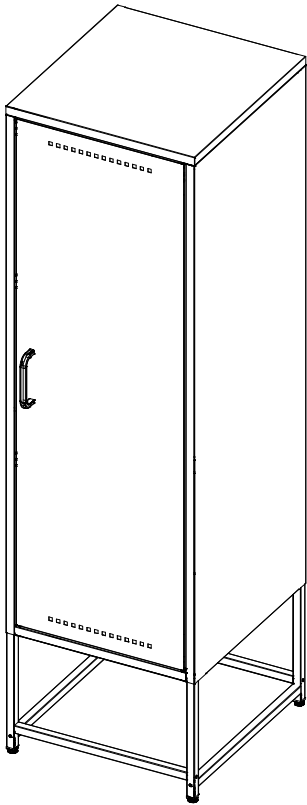
22



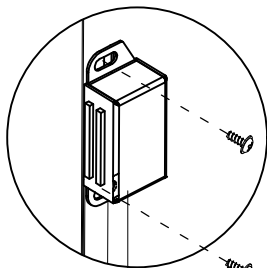


I

II

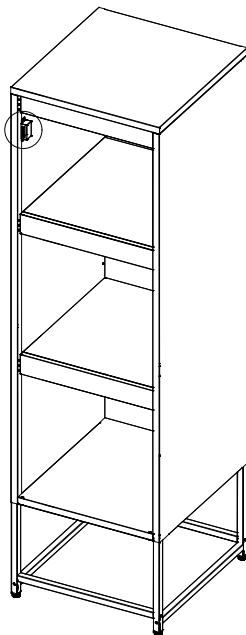


23 - I



Vx1

Rx2



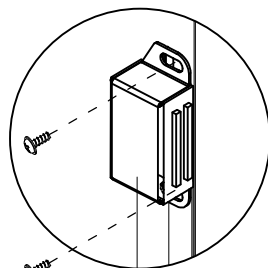
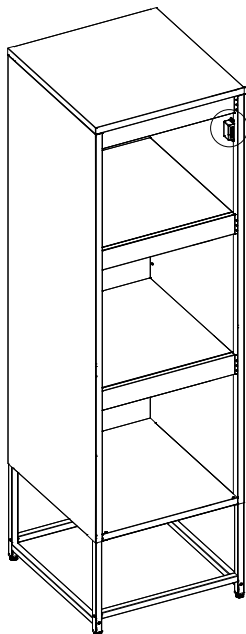
Vx1



Rx2



23 - II



Vx1

Rx2

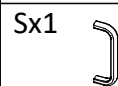
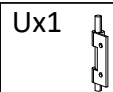
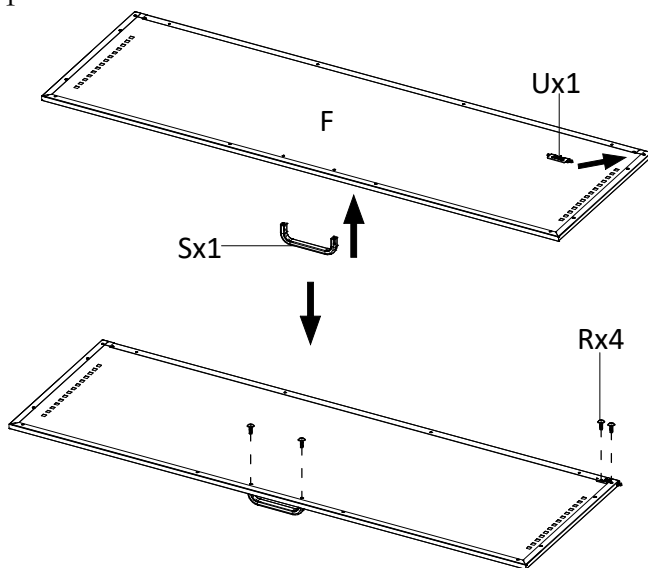
Vx1



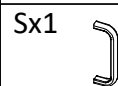
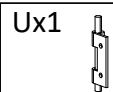
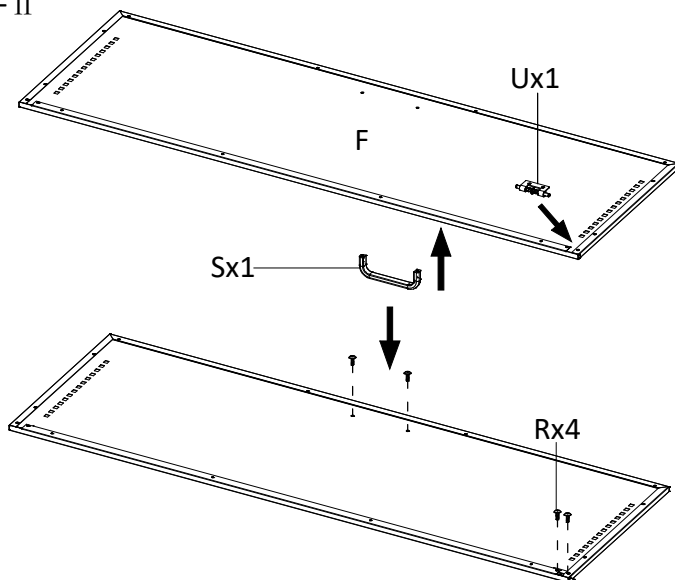
Rx2



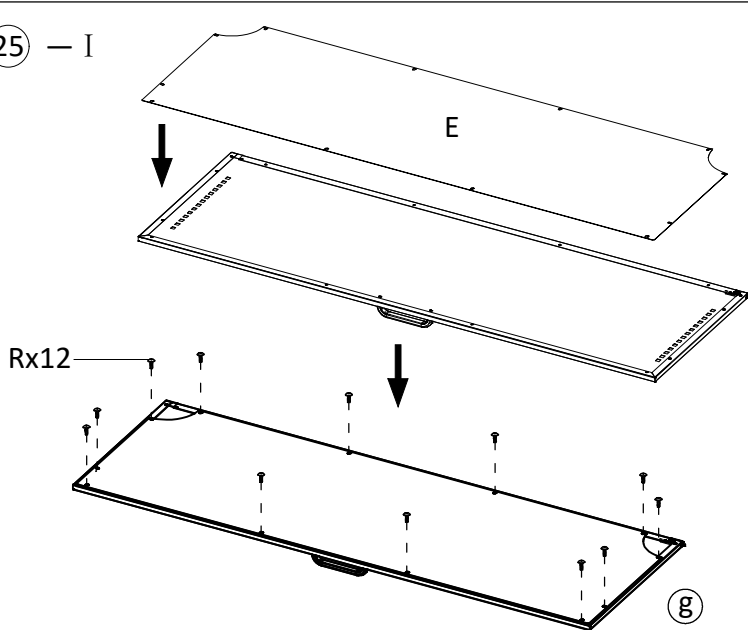
24 - I



24 - II



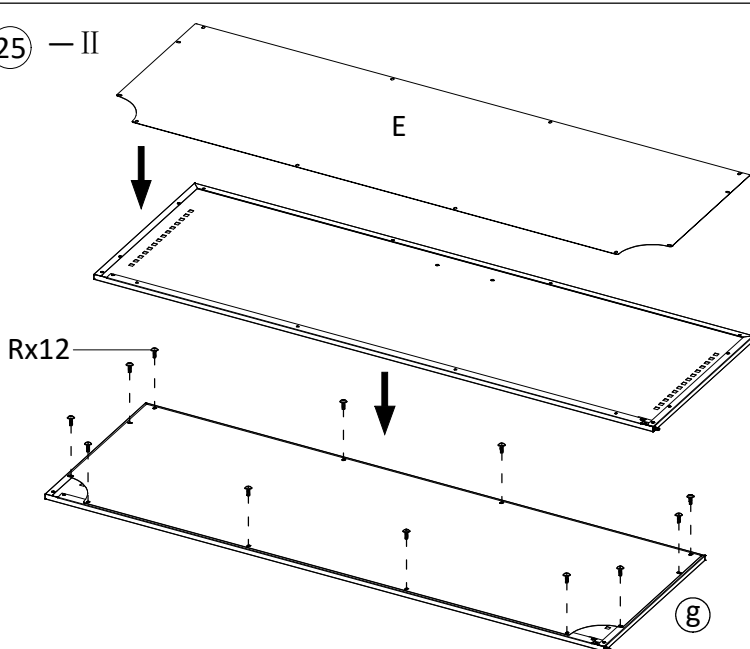
25 - I



Rx12



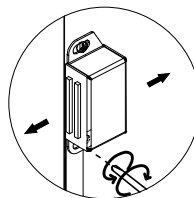
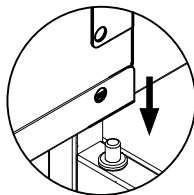
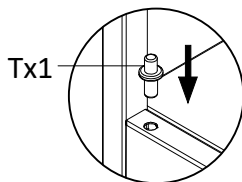
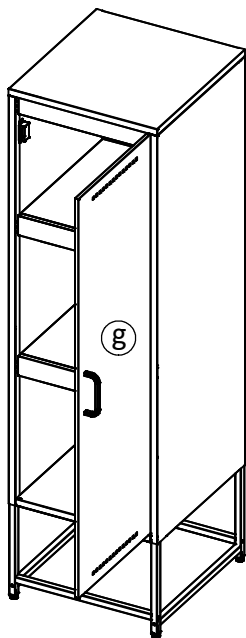
25 - II



Rx12



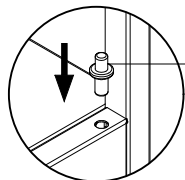
26 - I



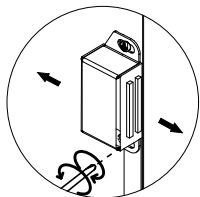
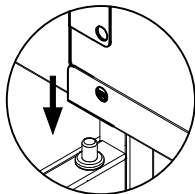
Tx1



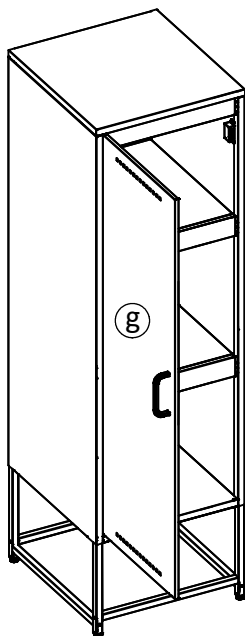
26 - II



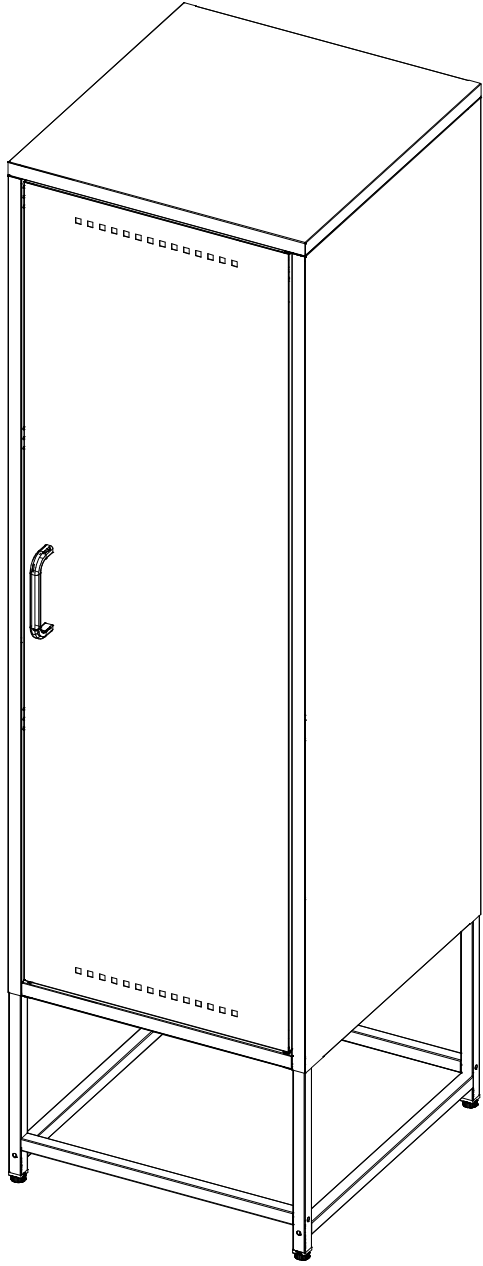
Tx1



Tx1



27 - I



27 — II

