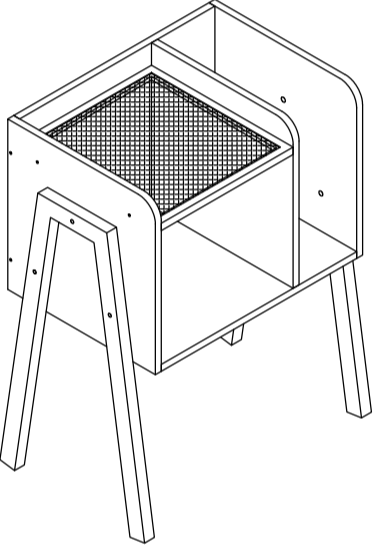





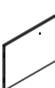


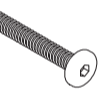







Assembly Instructions

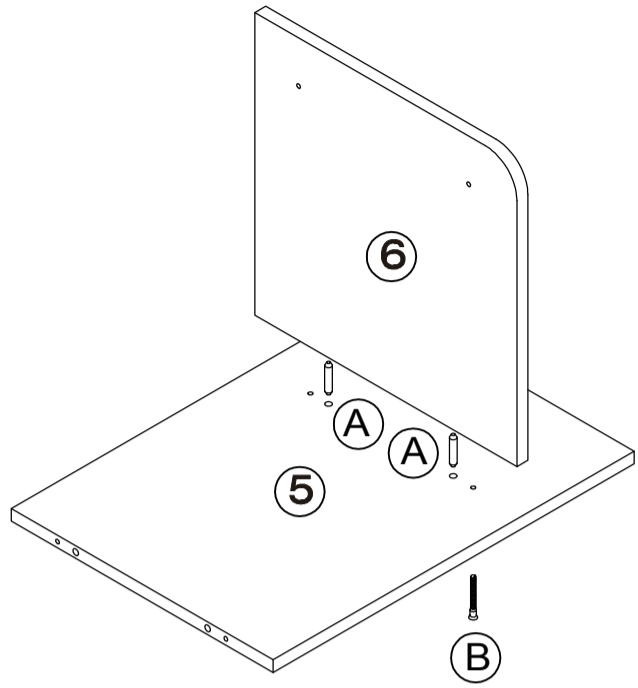
Tips!

Check all the components & screws before assembly. **Do not install in case part is missing, contact us to get.**

	Components ▲			Screws&Tools ▲		
	①		2	A		10
	②		1	B		11
	③		1			
	④		1	C		4
	⑤		1	D		10
	⑥		1	E		1
	⑦		1			

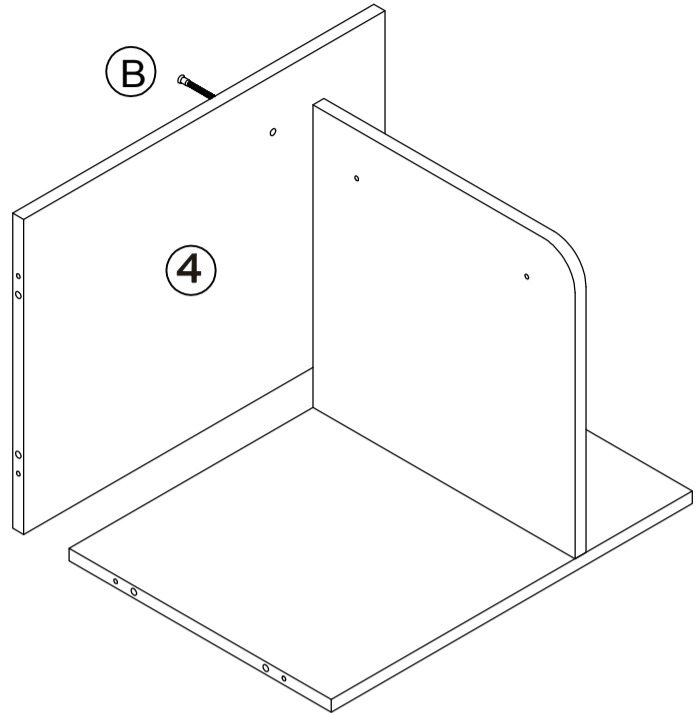
1

	Ax2
	Bx2






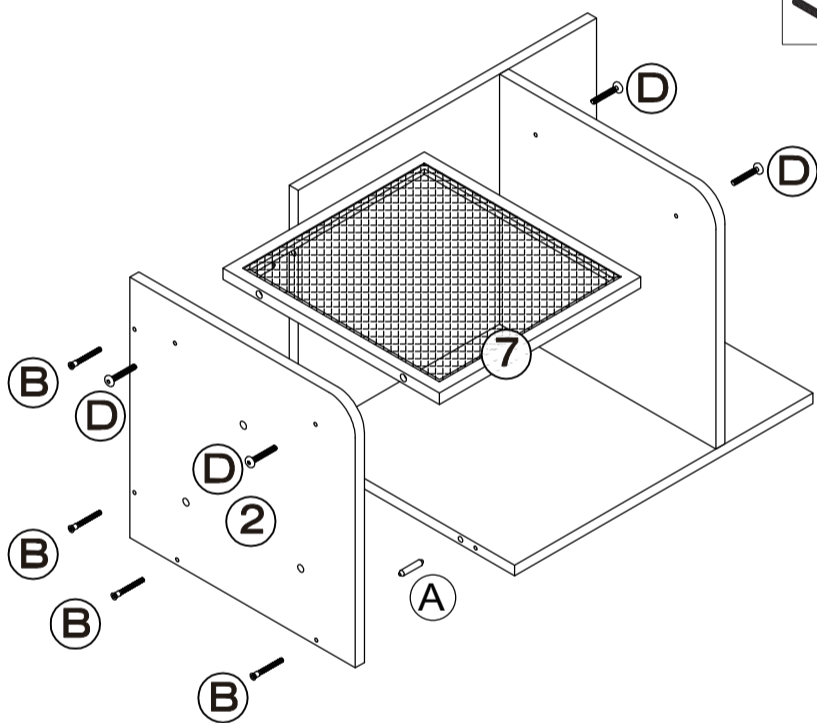
2

	Bx1
---	-----





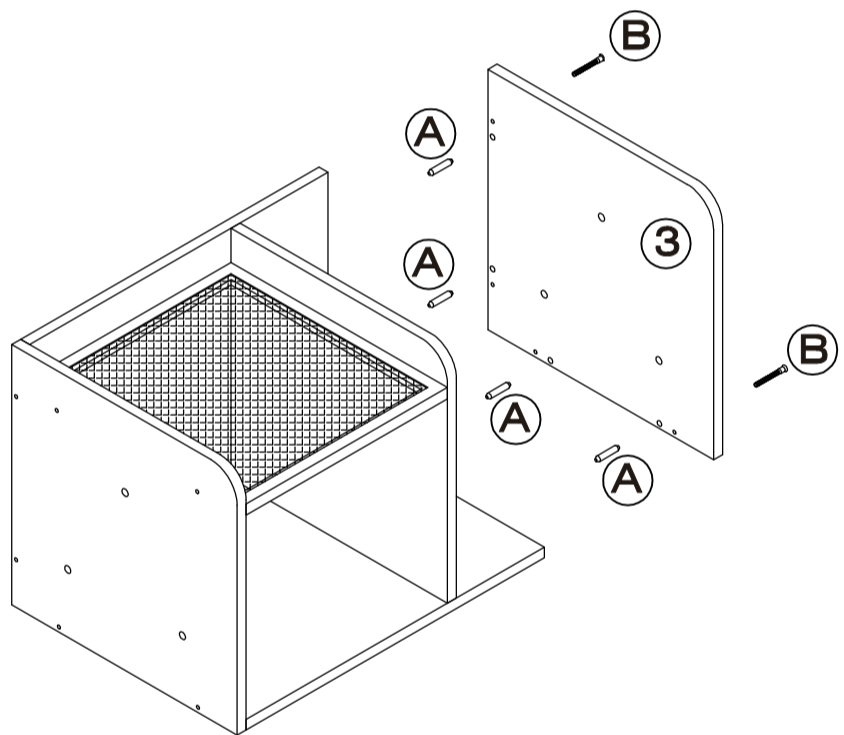
3

	Ax4
	Bx4
	Dx4



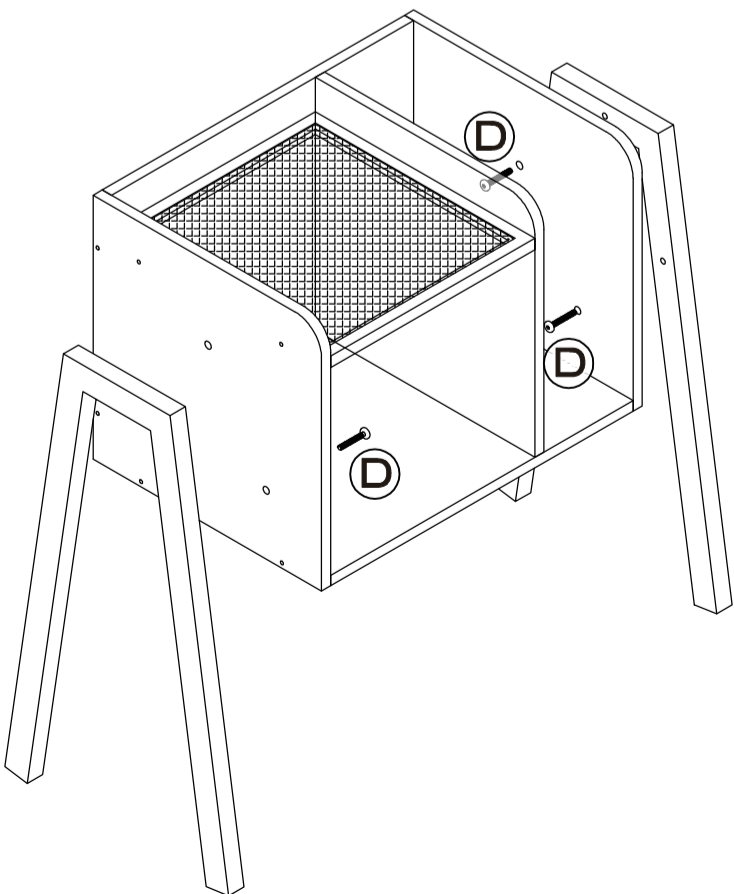
4

	Ax4
	Bx4




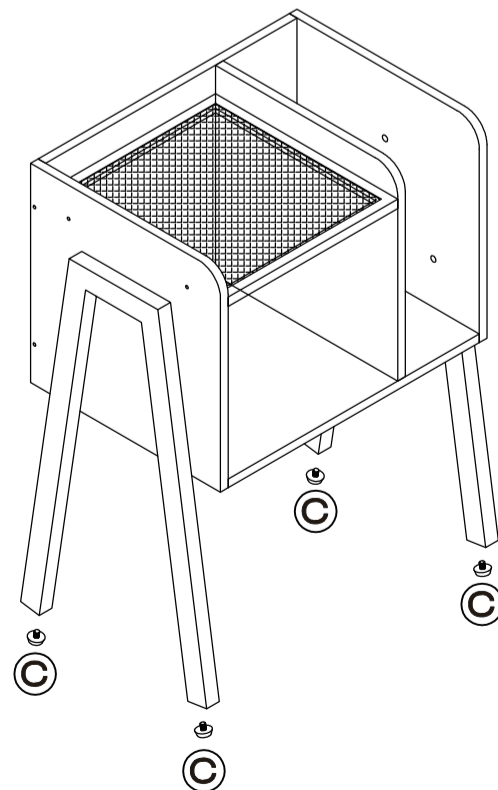
5

	Dx6
---	-----



6

	Cx4
---	-----



7 Check and tighten all screws