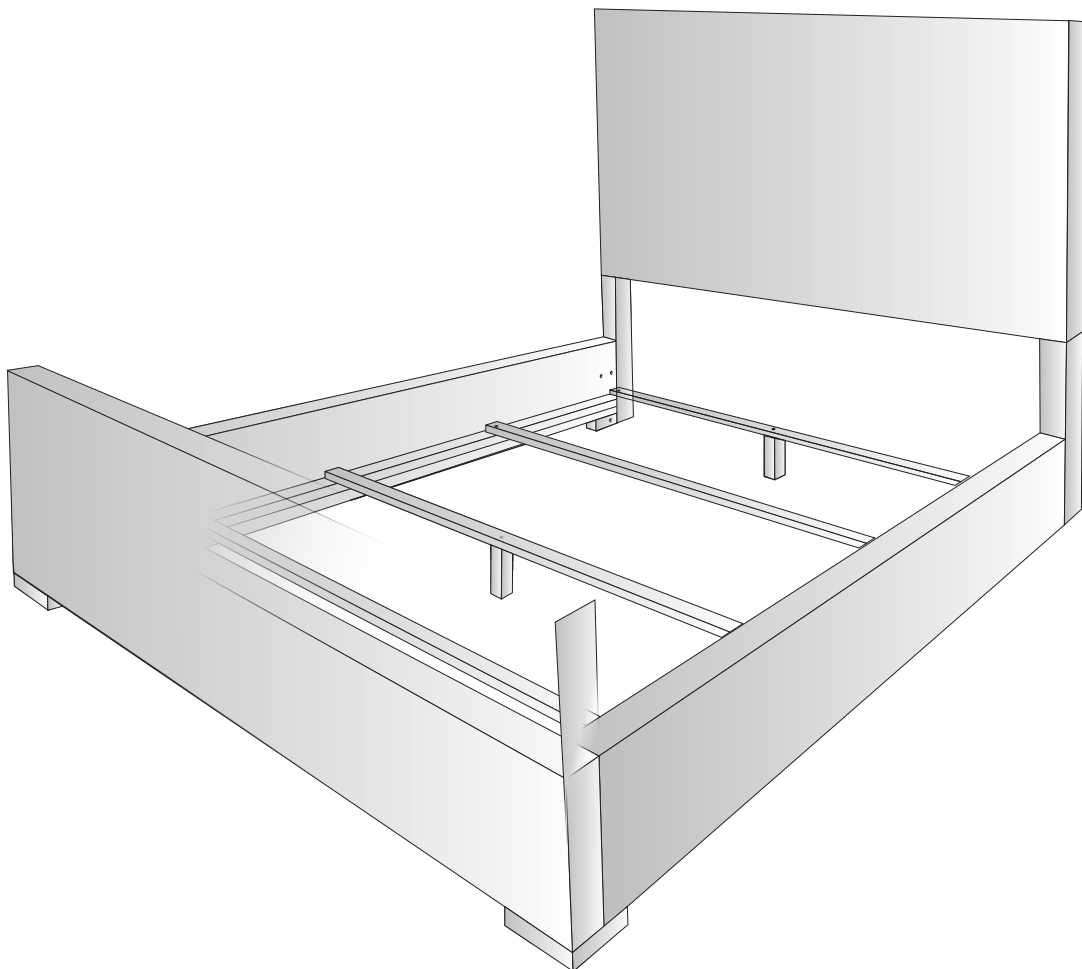


Panel Upholstered Bed Assembly Instructions

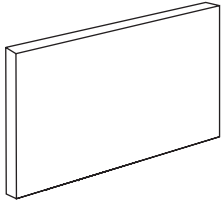
Manufacturer's Note:

- Remove all parts and hardware from the box and lay out on a clear, carpeted or scratch-free work surface. Do not dispose of any contents until assembly is completed to avoid accidentally discarding small parts or hardware.
- Use the parts and hardware lists on the next page to identify and separate each of the pieces included.
- The illustrations provided allow for easier assembly when used in conjunction with the assembly instructions.
- Note: Do not fully tighten all bolts until all parts are in place for that step. Failure to follow these instructions may cause the bolts to misalign during assembly.
- If using power tools to aid in assembly please use caution. Power tools can damage hardware or split wood. Power tools are not recommended or needed.
- If attempting to move this bed after it has been assembled it does need to be disassembled and reassembled in the new location. Failure to do so will result in a compromised support system and the bed may collapse causing injury and/or permanent damage to the bed.

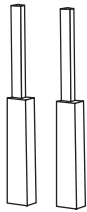


Parts List

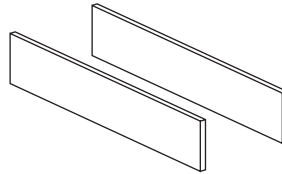
1. Headboard (1)



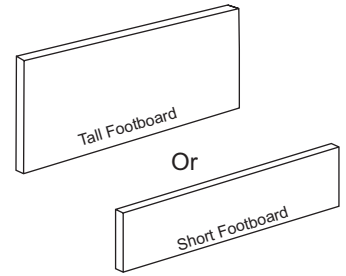
2. Headboard legs (2)



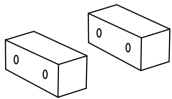
3. Siderails (2)



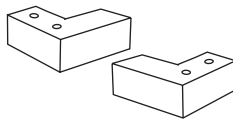
4. Footboard (1)



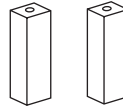
5. Siderail Feet (2)



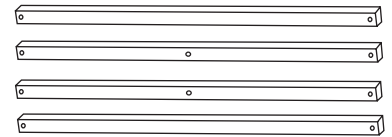
6. Footboard Feet (2)



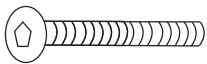
7. Center Support Legs (2)



8. Support Slats (4)



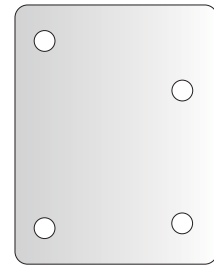
Hardware List



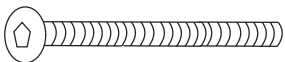
2" Bolt - Qty 10



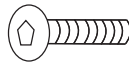
Allen Wrench - Qty 1



Bracket - Qty 2



3" Bolt - Qty 12



1" Bolt - Qty 12

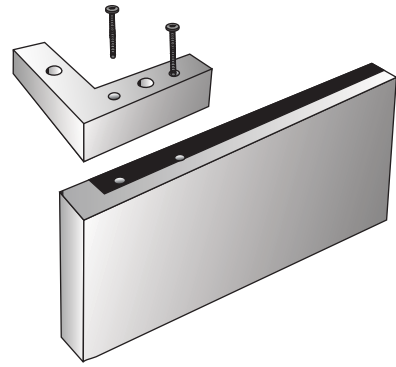


Washers - Qty 4

STEP 1:

Using allen wrench, connect L- shaped footboard foot to siderail using 2 of the 3" bolts.

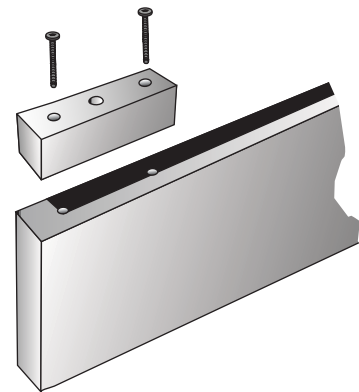
Do this for both siderails.



STEP 2:

Using allen wrench, connect siderail foot to siderail using 2 of the 3" bolts.

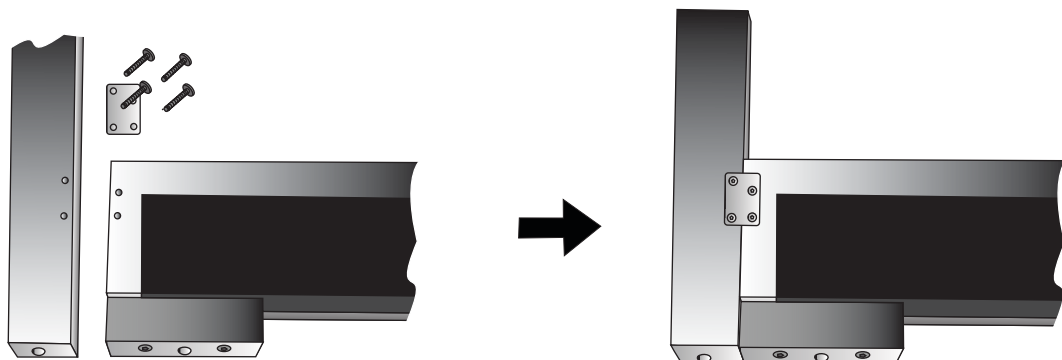
Do this for both siderails.



STEP 3:

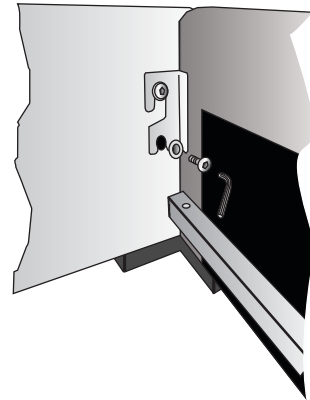
Using allen wrench, connect siderail to of headboard leg using 4 of the 1" bolts and metal bracket.

Do this for both siderails and legs.



STEP 4:

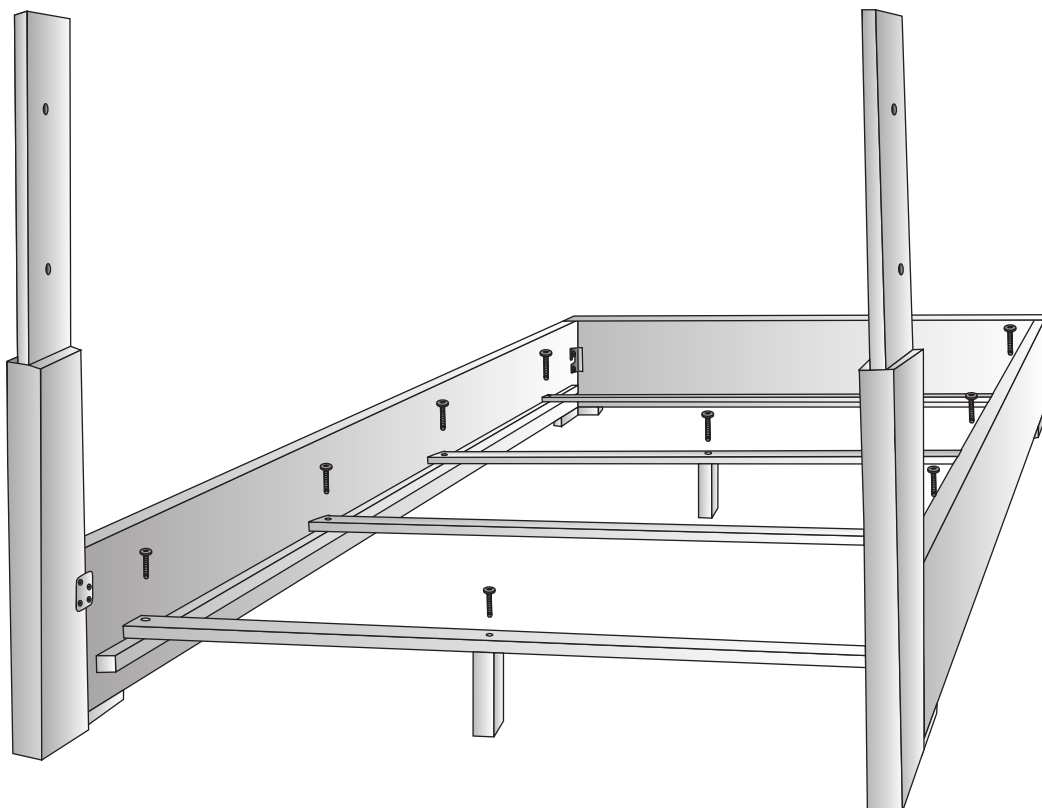
Using allen wrench, connect the footboard to the siderails using 4 of the 1" bolts and 4 of the washers (2 each side).



STEP 5:

Using allen wrench, connect all slats and slat legs using 10 of the 2" bolts.

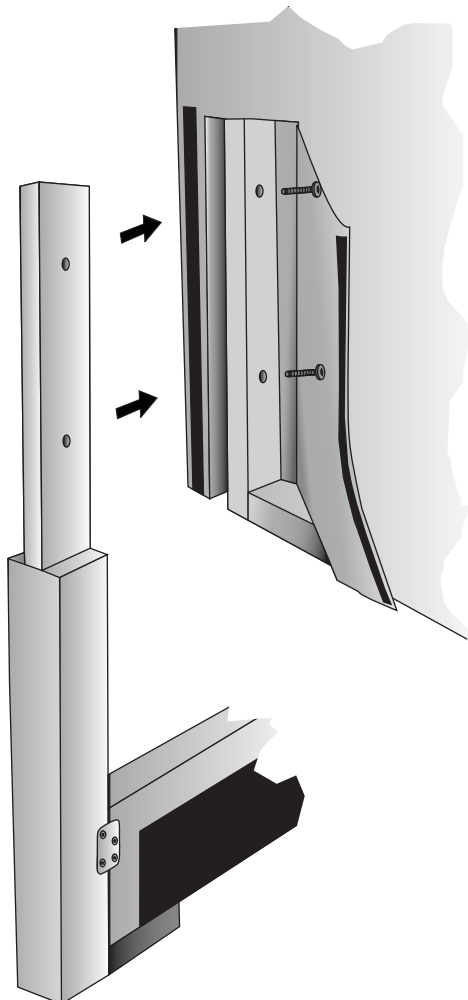
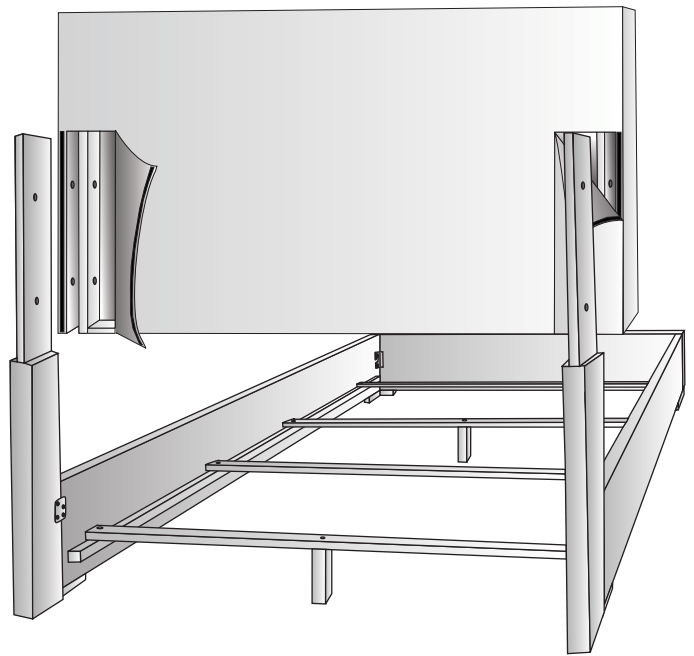
The slats with legs should be in order as shown in the diagram below.



STEP 6:

*****YOU WILL NEED AT LEAST 2 PEOPLE FOR THIS PART*****

First, reveal the compartments on the backside of the headboard by opening the velcro flap. Have 1 or 2 people raise the headboard into position, lining up the slots in the headboard to the the headboard legs, aligning the holes. Using allen wrench, connect the headboard to the headboard wings using 4 of the 3" bolts.(2 on each side)



Your bed is now complete!

This bed is intended to be used with a mattress foundation or boxspring.

If you have any questions, concerns, missing any pieces or hardware please reach out to us.

(951)785-1640 Office hours M-F 8am-2pm PST

orders@republicdesignhouse.com

www.republicdesignhouse.com

We really appreciate your purchase. We realize you had a lot of choices and decided to purchase from us which means a lot. We are a small US company focused on making sure all of our customers are 100% satisfied.

If you are happy with your new bed it would help us out tremendously if you could leave a favorable review for this product with whatever company/website you purchased from.

Thanks Again!
Republic Design House Team

Social Media Contest

Also if you are interested we do a monthly contest for gift card prizes!

All you need to do is post your bed picture on instagram tag us @republicdesignhouse so we can repost... that's it!

We will announce the prize and winner once a month.

