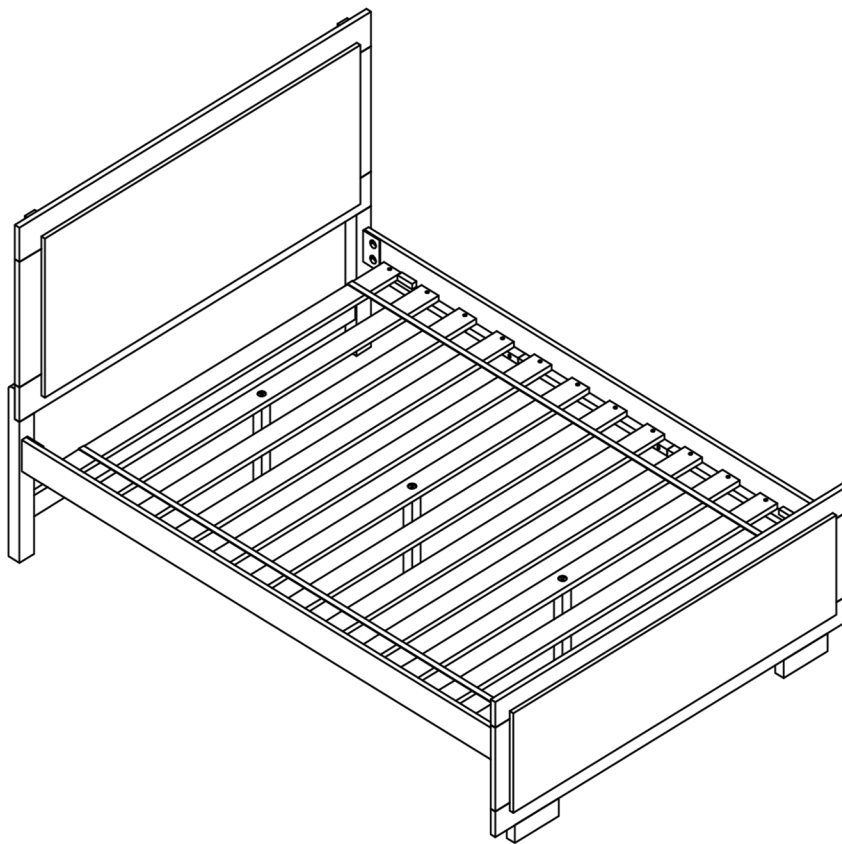


Assembly Instructions



ASSEMBLY RATING

The Assembly Rating is a 5-point system that shows the degree of effort needed in assembling a specific product (with 1 being easy and 5 being difficult). For some products, two persons are recommended.

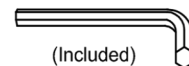
EASY



DIFFICULT

Tools Required For Assembly:

Allen Wrench



(Included)

Phillips Screwdriver



(Not Included)

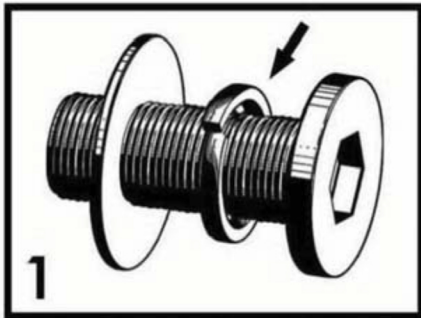


2 PERSONS RECOMMENDED

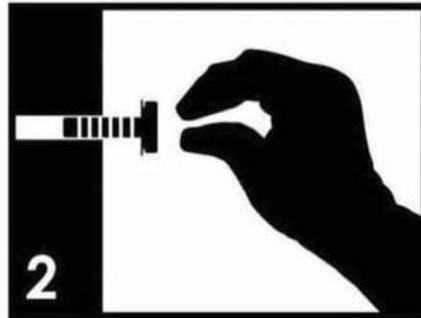
ASSEMBLY & CARE ADVICE

FOR YOUR FURNITURE TO LAST, CORRECT ASSEMBLY AND PROPER MAINTENANCE ARE NECESSARY. PLEASE FOLLOW THE INFORMATION PROVIDED BELOW TO FULLY ENJOY YOUR FURNITURE.

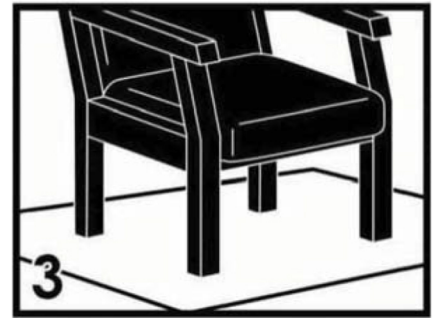
BASIC ASSEMBLY TECHNIQUES



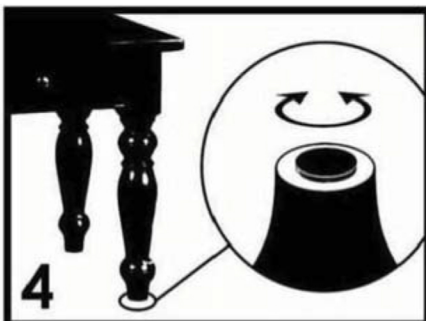
When lock or spring washer is used in an assembly, please make sure the lock or spring washer is placed between the larger flat washer and the head of the screw or bolt.



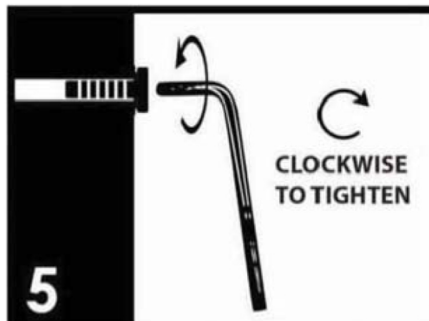
Position each part correctly and insert screws or bolts into their respective holes by hand tighten or using the proper hand tool. Only tighten when step is completed or when instructed to do so.



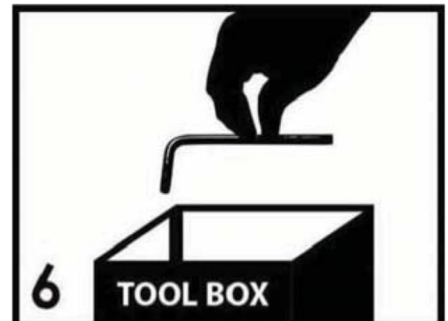
Use cardboard or carpet area when assembling furniture to prevent scratches. Make sure the furniture rests on a flat and level surface with each leg evenly touching the floor.



Some furniture comes with height adjustment knobs underneath each leg. To lower or to raise each leg, you need to turn clockwise or counterclockwise, respectively.



Make sure all parts are properly aligned, then use the appropriate hand tool to completely tighten the bolts or screws. Do not use power tools and do not overtighten.



Save the instructions and store the Allen wrench or any supplied tool for later maintenance. After two weeks, check and tighten any loose hardware and repeat again every six months thereafter.

IT IS THE USER'S RESPONSIBILITY TO MAINTAIN THE FURNITURE. THE HARDWARE MAY LOOSEN OVER TIME AND MAY CAUSE THE FURNITURE TO BE WOBBLY AND UNABLE TO SUPPORT ITS INTENDED WEIGHT CAPACITY. THIS MAY LEAD TO COLLAPSE AND MAY CAUSE SERIOUS INJURY.



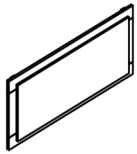
FAILURE TO FOLLOW THE GUIDELINES ABOVE MAY RESULT IN INJURY AND/OR PROPERTY DAMAGE.



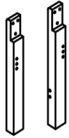
Before you begin, please read Page 2 of "Assembly and Care Advice".

And remember, do not tighten until each step is completed or instructed.

Parts List



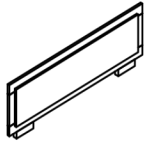
#1 x 1pc
Headboard Panel



#2 x 2pcs
Headboard Leg (L & R)



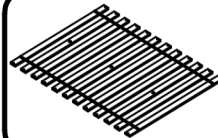
#3 x 1pc
Headboard Support



#4 x 1pc
Footboard



#5 x 2pcs
Bed Rail



#6 x 1set
Slat (12pcs)



#7 x 3pcs
Support Leg



Before you begin, please read Page 2 of "Assembly and Care Advice".

And remember, do not tighten until each step is completed or instructed.

Hardware List



#A x 4pcs
Dowel $\text{Ø}13/32$ " x 1-9/6"



#B x 6pcs
Bolt $\text{Ø}1/4$ " x 1-9/16"



#C x 4pcs
Bolt $\text{Ø}1/4$ " x 1-3/16"



#D x 10pcs
Flat Washer $\text{Ø}3/4$ "



#E x 8pcs
Threaded Pin 1/4" x 2-3/8"



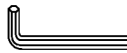
#F x 8pcs
Half Moon



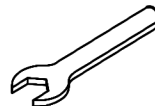
#G x 8pcs
Hexagon Nut 1/4" x 7/16"



#H x 24pcs
Wood Screw $\text{Ø}5/32$ " x 1-3/16"



#I x 1pc
Allen wrench

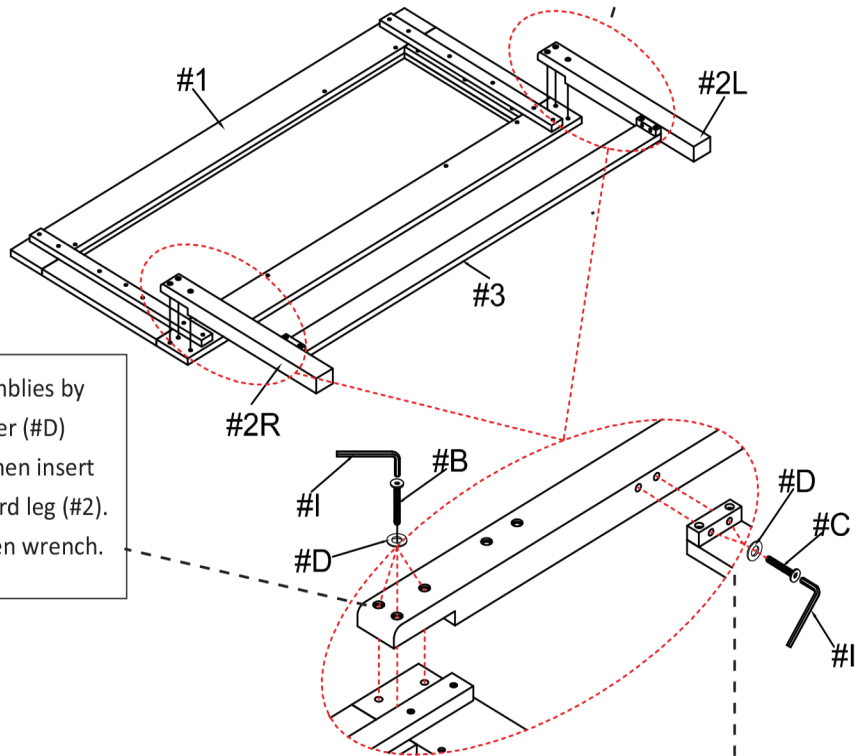


#J x 1pc
Wrench



1. Place the headboard panel (#1) face down onto a protected surface, then align the headboard legs (#2) to the holes along the bottom corners of the headboard.

#B x 6pcs
#C x 4pcs
#D x 10pcs



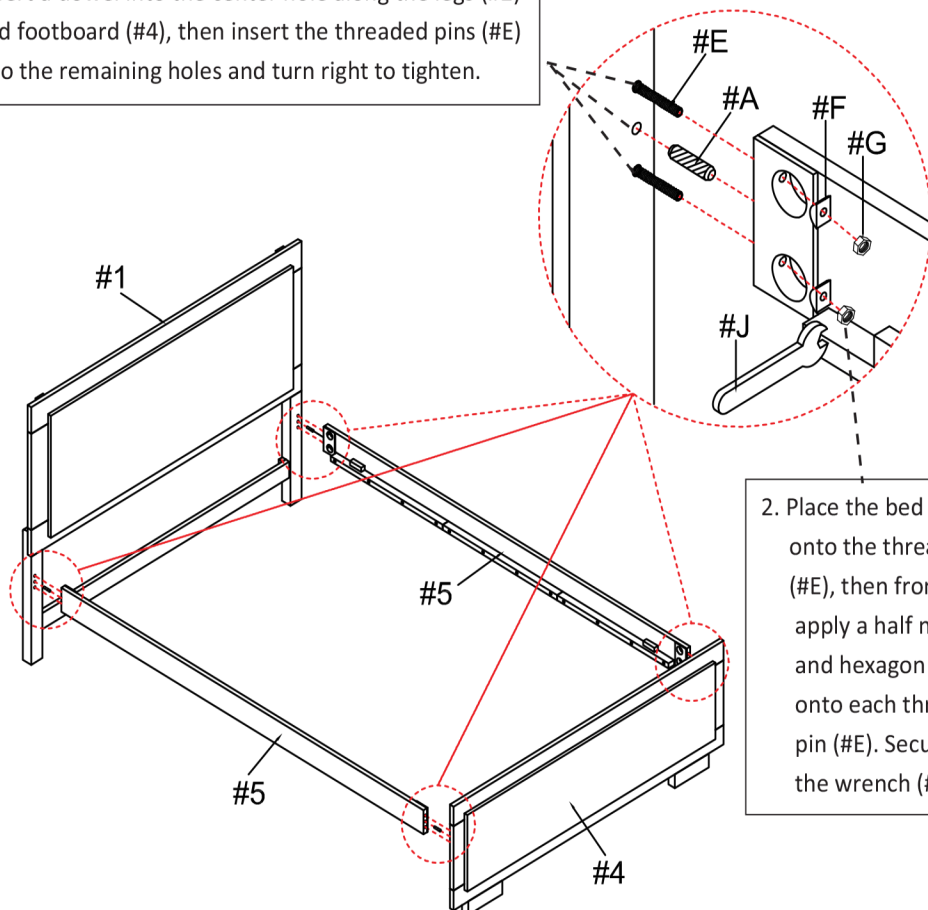
2. Prepare 6 bolt assemblies by inserting a flat washer (#D) onto the bolt (#B), then insert 3 into each headboard leg (#2). Secure using the Allen wrench.

3. Align the ends of the support (#3) to the holes along the sides of the legs (#2). Prepare 4 bolt assemblies by inserting a flat washer (#D) onto the bolt (#C), then insert 2 into each head-board leg (#2). Secure using the Allen wrench.



1. Insert a dowel into the center hole along the legs (#2) and footboard (#4), then insert the threaded pins (#E) into the remaining holes and turn right to tighten.

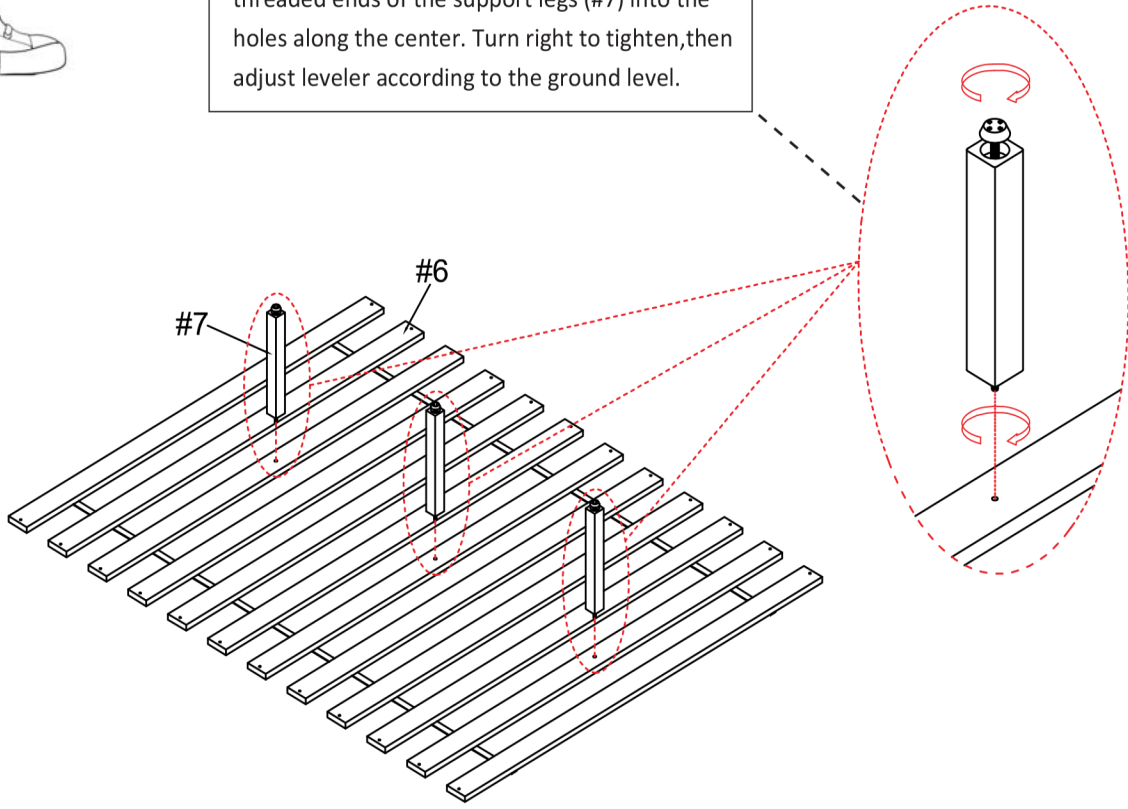
#A x 4pcs
#E x 8pcs
#F x 8pcs
#G x 8pcs



2. Place the bed rails (#5) onto the threaded pins (#E), then from within apply a half moon (#F) and hexagon nut (#G) onto each threaded pin (#E). Secure using the wrench (#J).

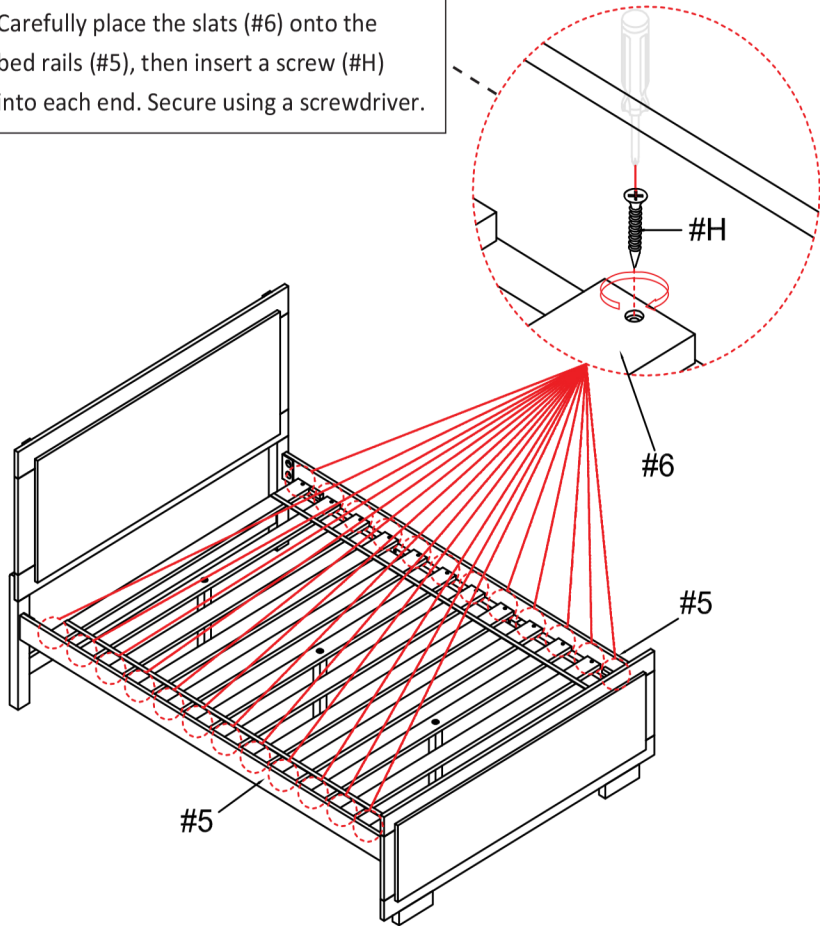


Place the slat (#6) face down, then insert the threaded ends of the support legs (#7) into the holes along the center. Turn right to tighten, then adjust leveler according to the ground level.



Carefully place the slats (#6) onto the bed rails (#5), then insert a screw (#H) into each end. Secure using a screwdriver.

#H x 24pcs



ASSEMBLY IS COMPLETED