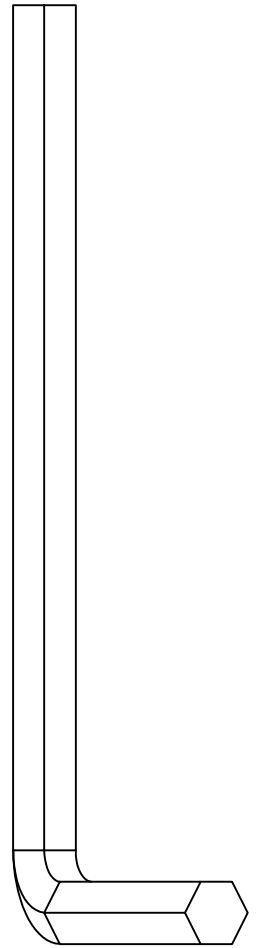
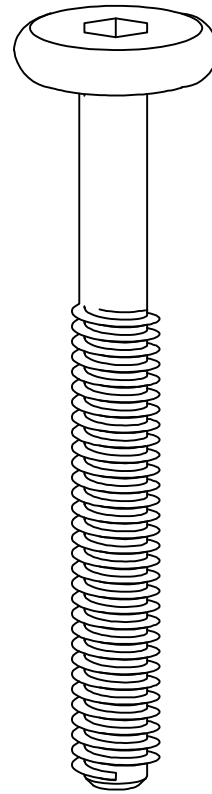


**H**

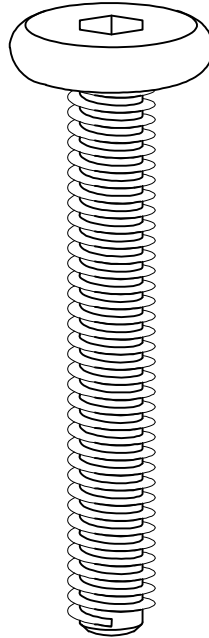
**G**



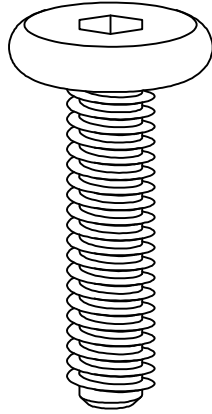
**F**



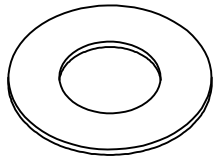
**E**



**D**



**B**

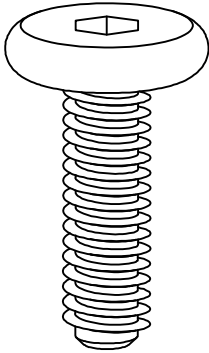


**A**



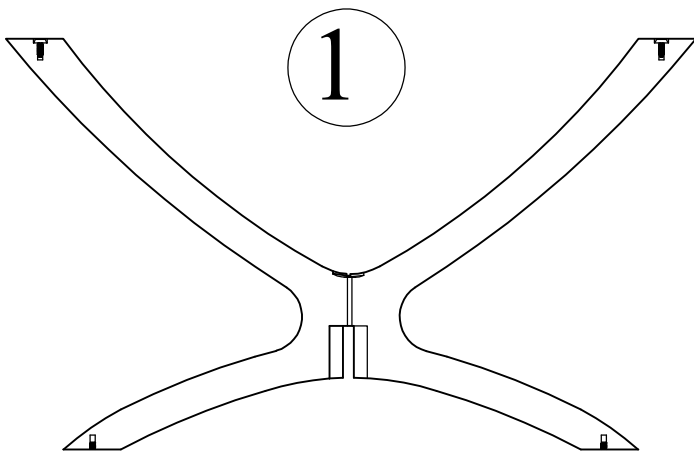
M6x10: 14PCS M6x13: 14PCS

**C**

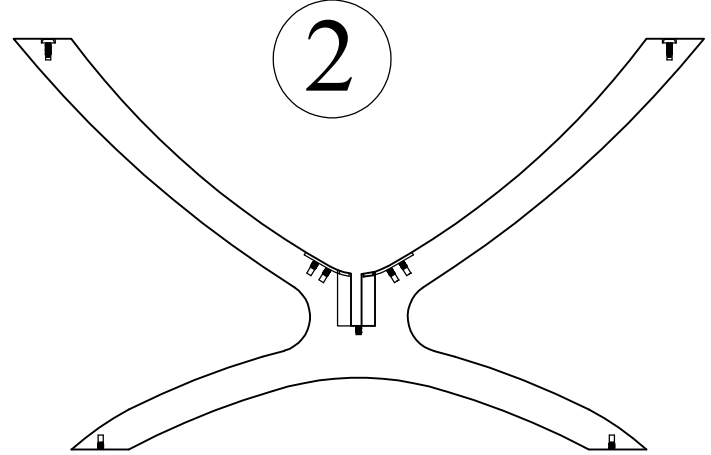


M6x25: 4PCS

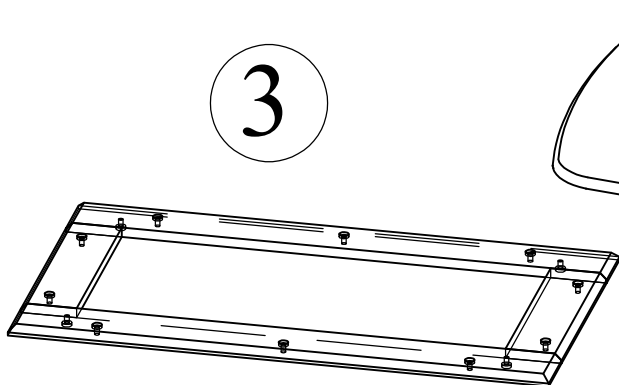
M6x30: 10PCS M6x40: 4PCS M6x110: 1PCS Allen Wrench: 1PC



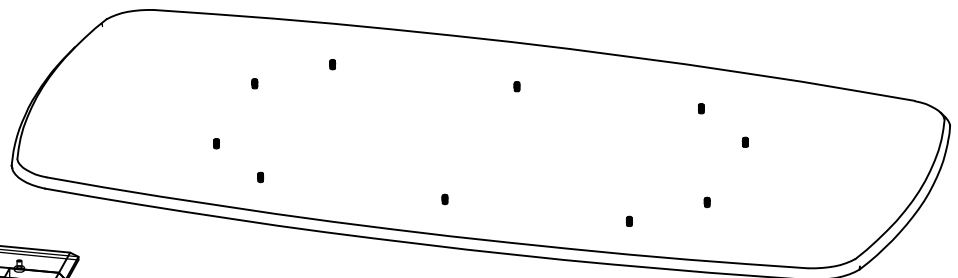
1



2

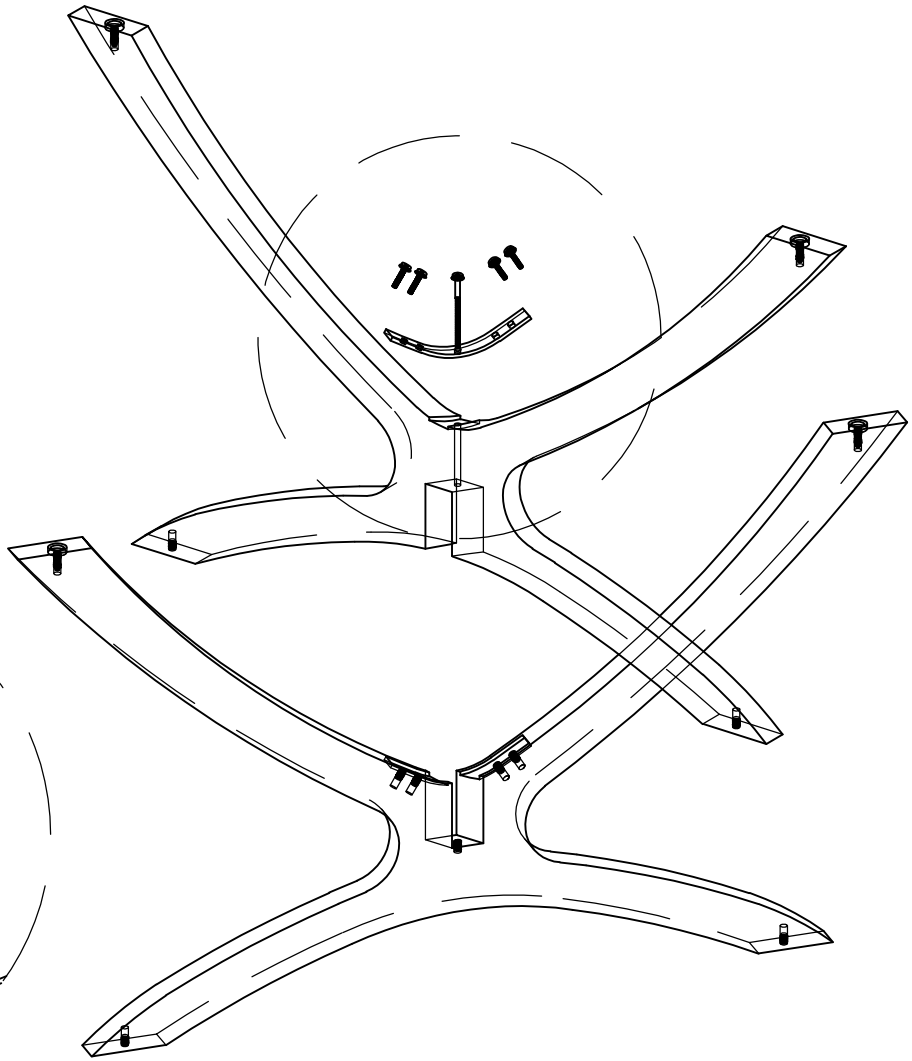
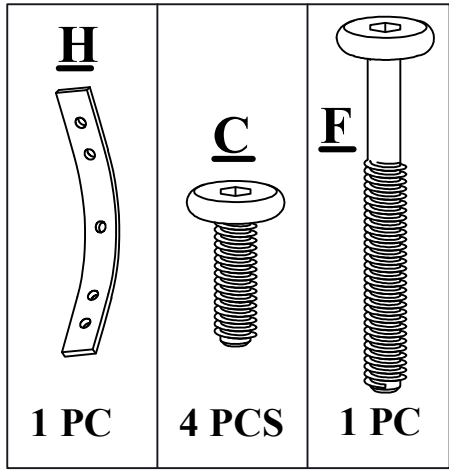


3



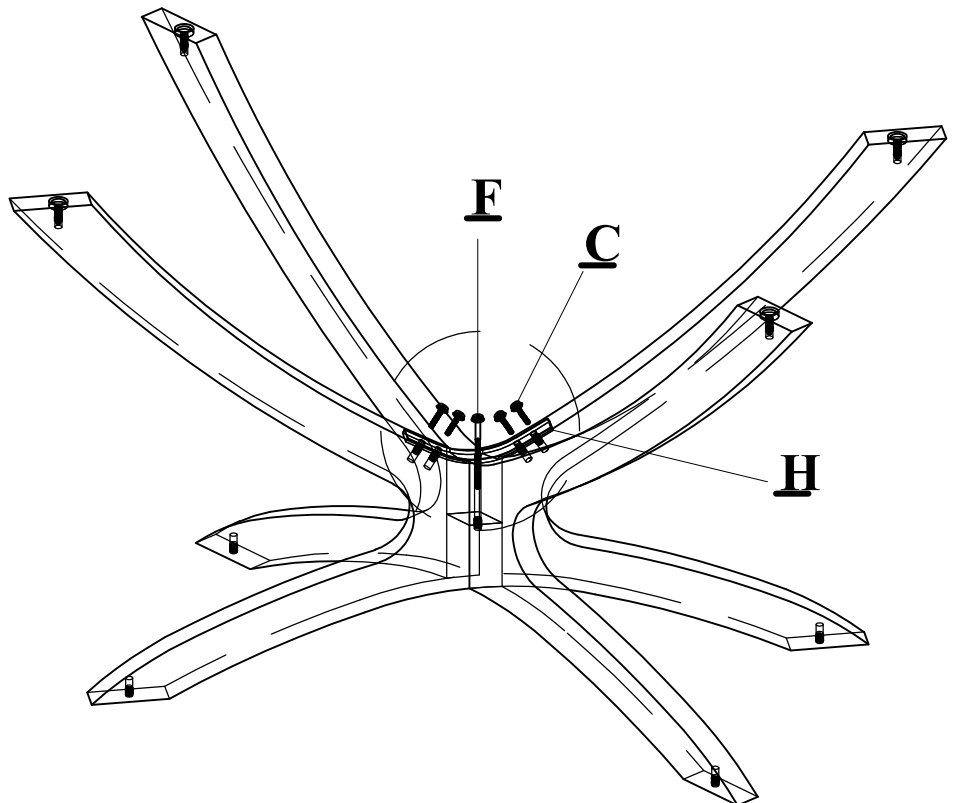
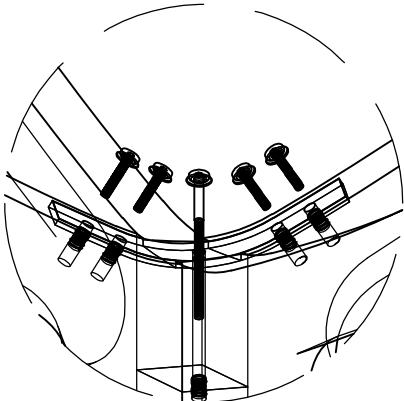
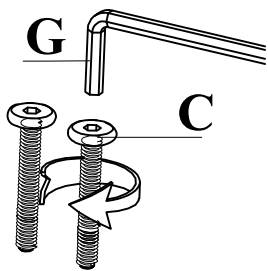
4

# 01



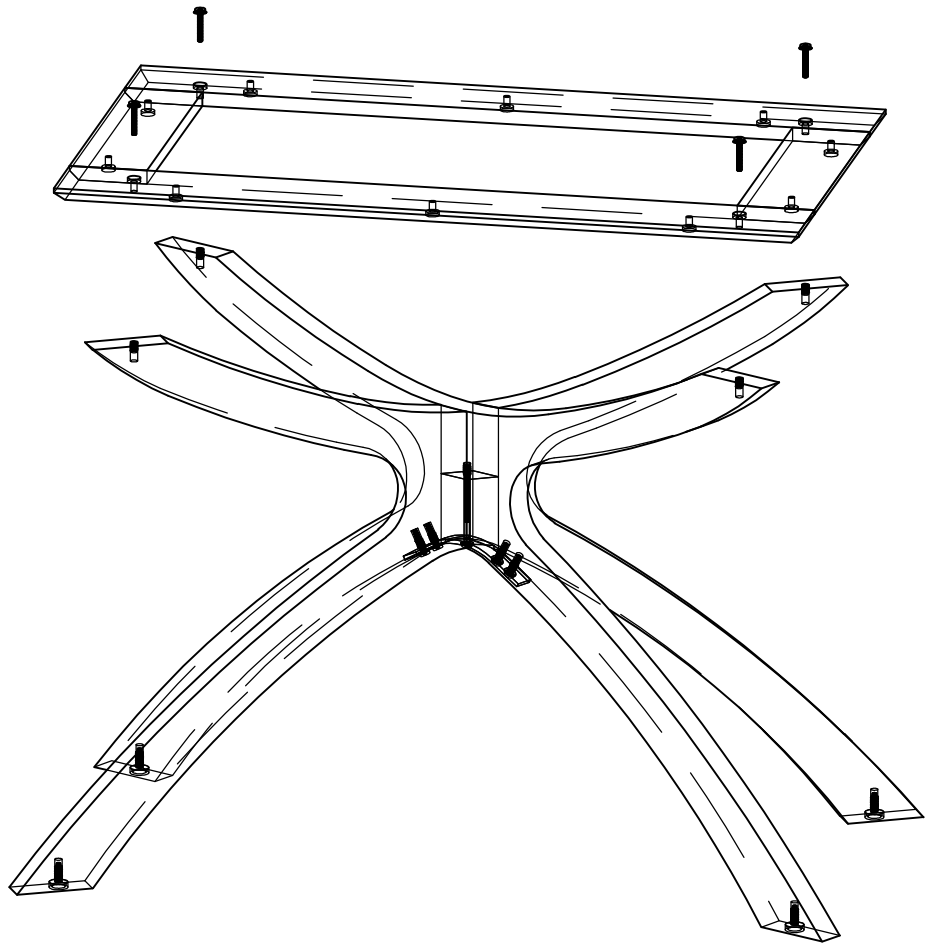
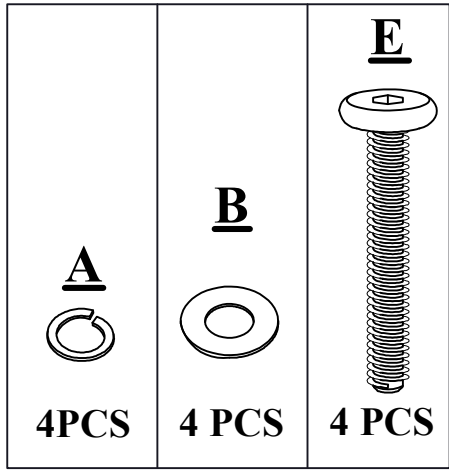
DO NOT TIGHTEN BOLT COMPLETELY.

# 02



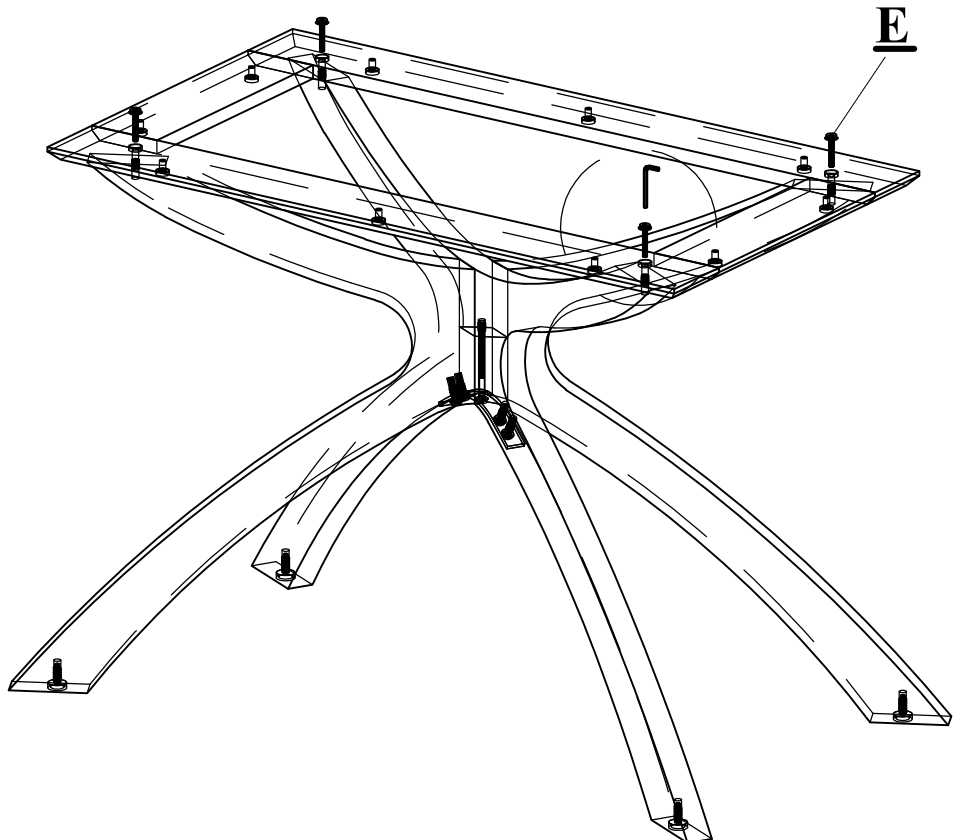
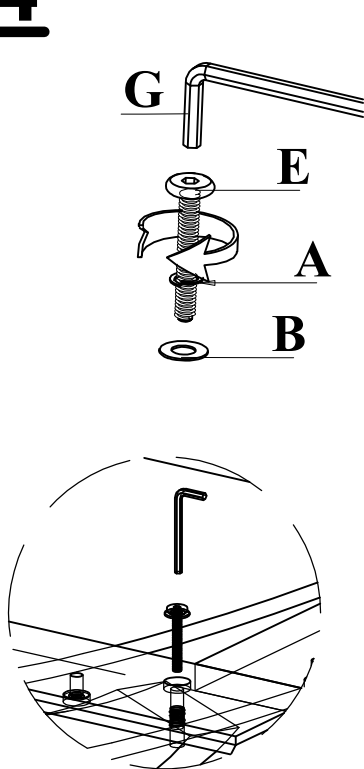
DO NOT TIGHTEN BOLT COMPLETELY.

# 03



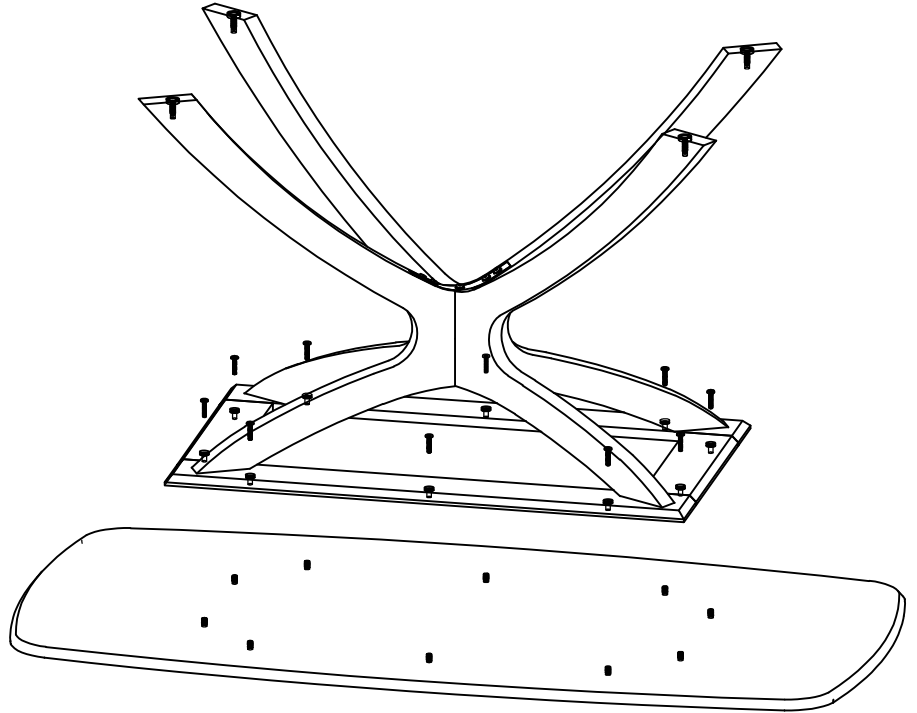
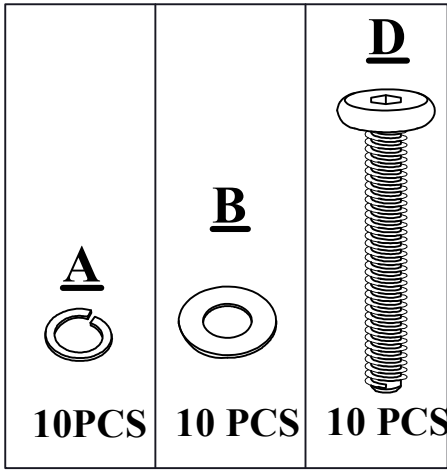
DO NOT TIGHTEN BOLT COMPLETELY.

# 04



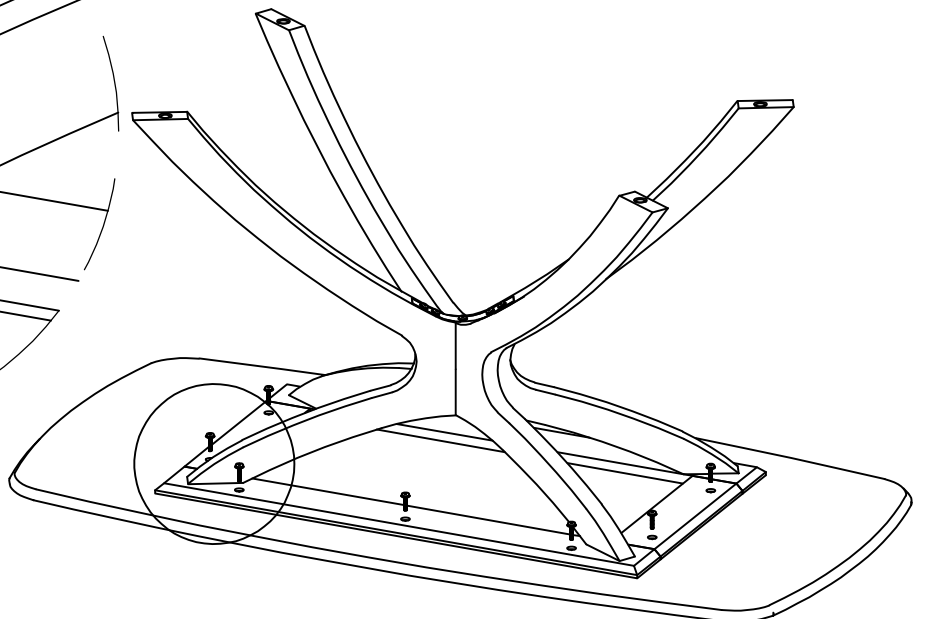
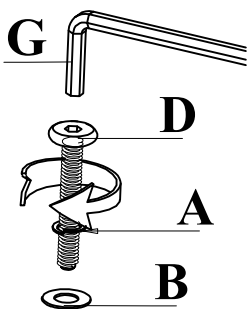
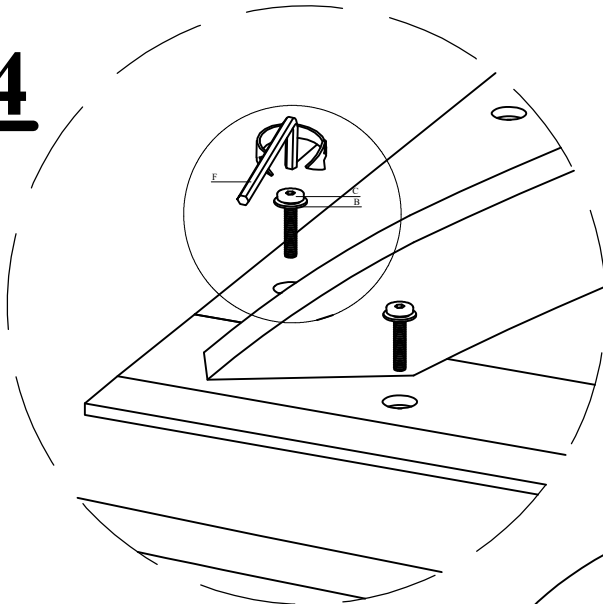
DO NOT TIGHTEN BOLT COMPLETELY.

# 05



DO NOT TIGHTEN BOLT COMPLETELY.

# 04



DO NOT TIGHTEN BOLT COMPLETELY.