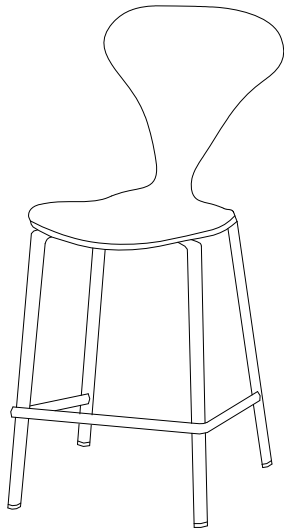


BAR STOOL




Thank you for purchasing the **Bar stool!**

Before you start, here is some helpful advice:

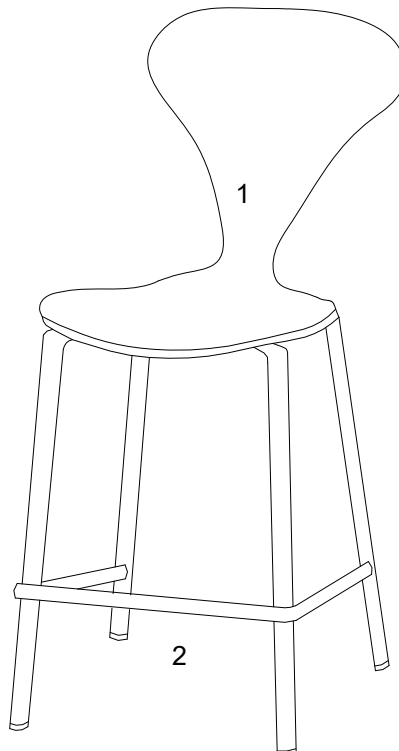
1. We suggest you spend a short time reading through this leaflet and then follow the simple step-by-step instructions.
2. Owing to the size and weight of the stool, we recommend that it is assembled by two adults, on a carpeted or padded area, in the room that it is intended for. Approximate assembly time: 30 minutes.
3. Please do not use any tools other than those provided or recommended in these instructions.
4. Please do not throw away any of the packaging or the instruction until you have checked all the components and hardware and the furniture is fully assembled. Please ensure that the packaging is disposed of in a safe and environmentally friendly way.
5. Assemble all components loosely until advised to tighten. Depending on use, it may be necessary to tighten the components from time to time, so please save the tools that have been provided.
6. Please keep all fitting out of reach of children.



Hardware:

A		Bolt M6x31.5mm	x 4
B		Plastic Washer	x 8
C		Allen Wrench M4	x 1

Component:



1 Stool Body x1

2 Stool Base x1

BAR STOOL

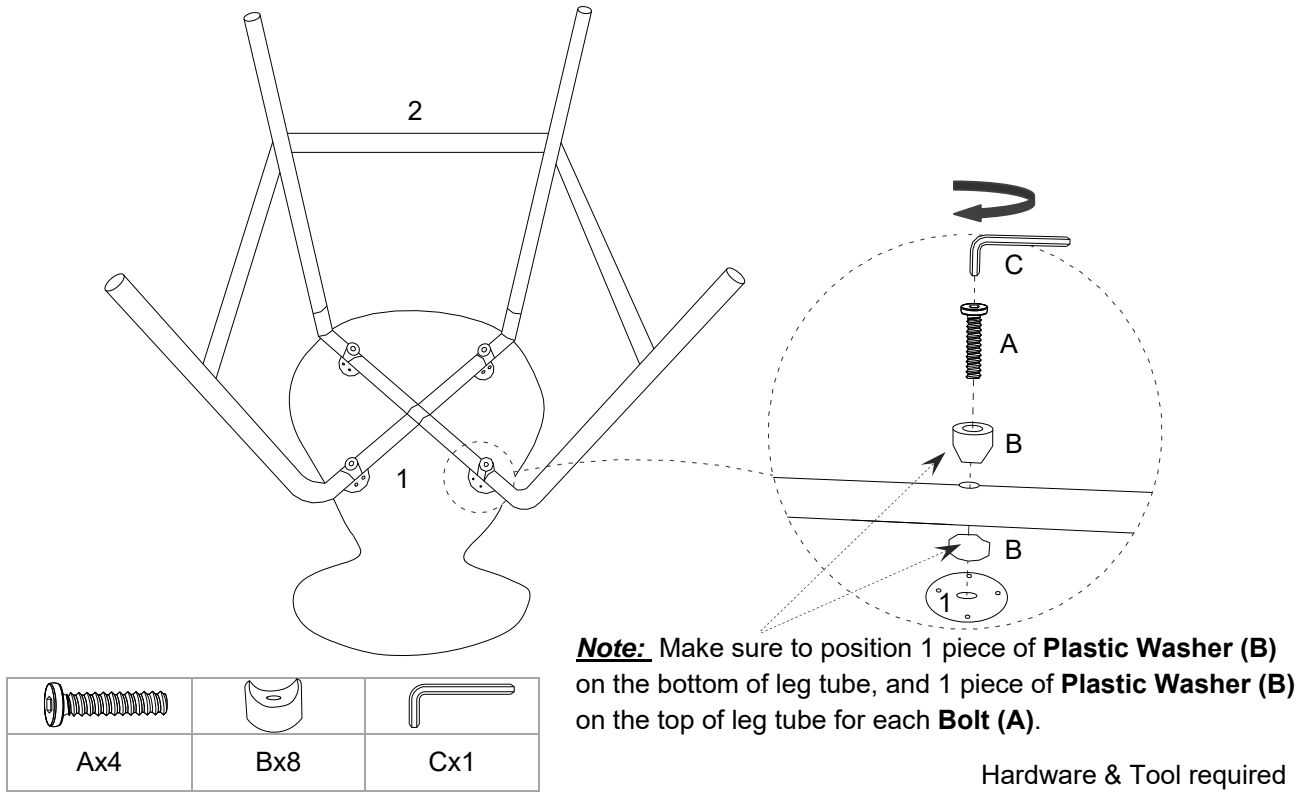
STEP 1:

Please put **Stool Body (1)** upside down on a carpeted or padded area.

Position **Stool Base (2)** to the bottom of **Stool Body (1)**.

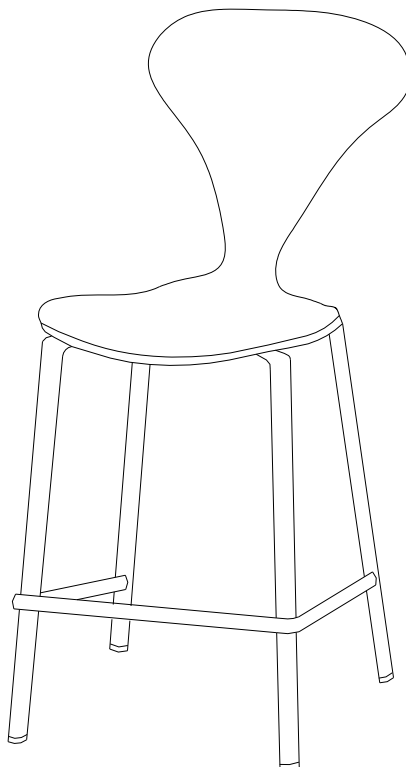
Insert 4 pieces of **Bolt (A)** into the holes on bottom of **Stool Body (1)** through the holes on 8 pieces of **Plastic washer (B)** and **Stool Base (2)** as shown.

Use **Allen Wrench (C)** to tighten all **Bolts (A)** clockwise until secure.



STEP 2:

Carefully turn over the assembled stool.



Assembly is complete. Your stool is ready to be use now!