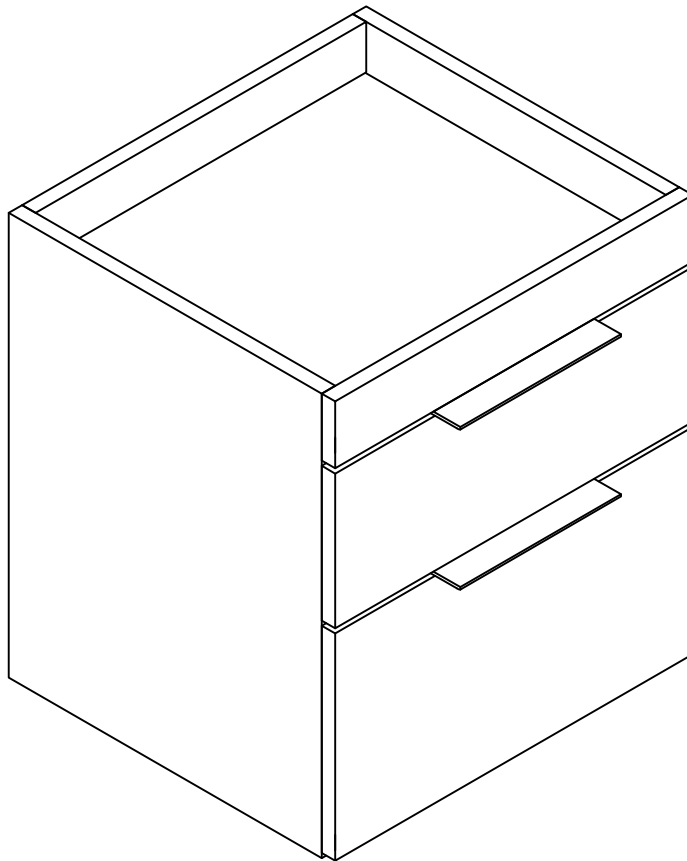


Night Stand

Assembly Instructions

Contains One Night Stand and Hardware



Night Stand
Contains One (1) Night Stand and Hardware

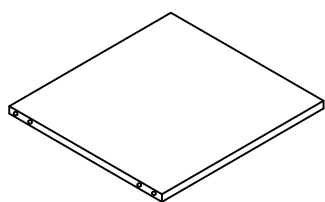
IMPORTANT NOTE:

Carefully remove all the parts from the box. Arrange on a flat surface and verify you have all of the following parts and hardware

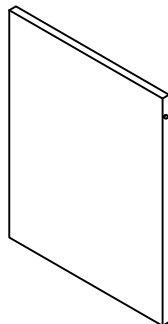
TOOLS REQUIRED:
-Phillips Screwdriver

PARTS LIST

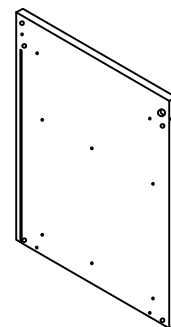
1.Top Panel (1 PC)



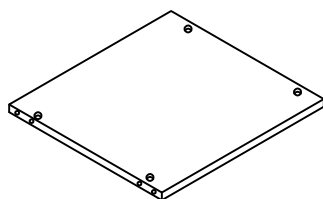
2.Left Side Panel (1 PC)



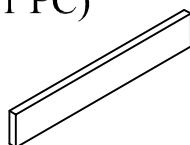
3.Right Side Panel (1 PC)



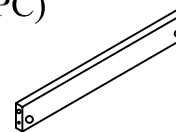
4.Bottom Panel (1 PC)



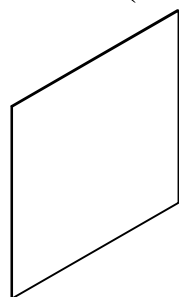
5.Top Front Bar Panel (1 PC)



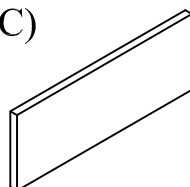
6.Top Back Bar Panel (1 PC)



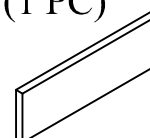
7.Back Panel (1 PC)



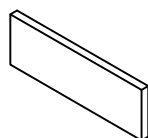
8.Small Drawer Front Panel (1 PC)



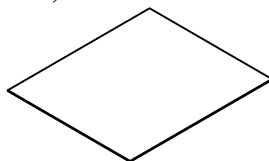
9.Small Drawer Back Panel (1 PC)



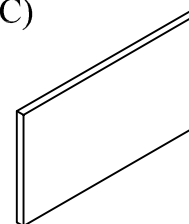
10.Small Drawer Side Panel (2 PCS)



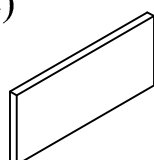
11.Drawer Bottom Panel (2 PCS)



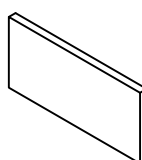
12.Large Drawer Front Panel (1 PC)



13.Large Drawer Back Panel (1 PC)

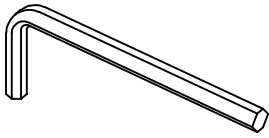


14.Large Drawer Side Panel (2 PCS)

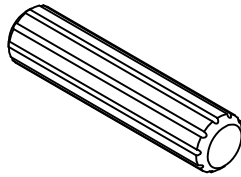


HARDWARE LIST

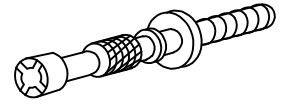
A.Allen Key (1 PC)



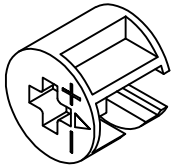
B.Dowel (10 PCS)



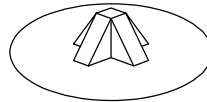
C.Minifix Bolt (13 PCS)



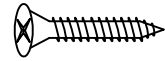
D.Minifix House (13 PCS)



E.Minifix Cap (13 PCS)



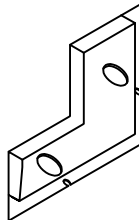
F.Screw 16mm (36 PCS)



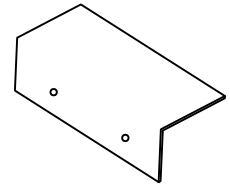
G.Screw 50mm (16 PCS)



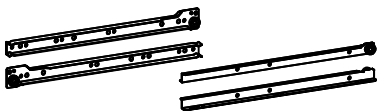
H.L Bracket (4 PCS)



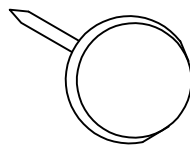
I.Handle (2 PCS)



J.Drawer Slider (2 SET)

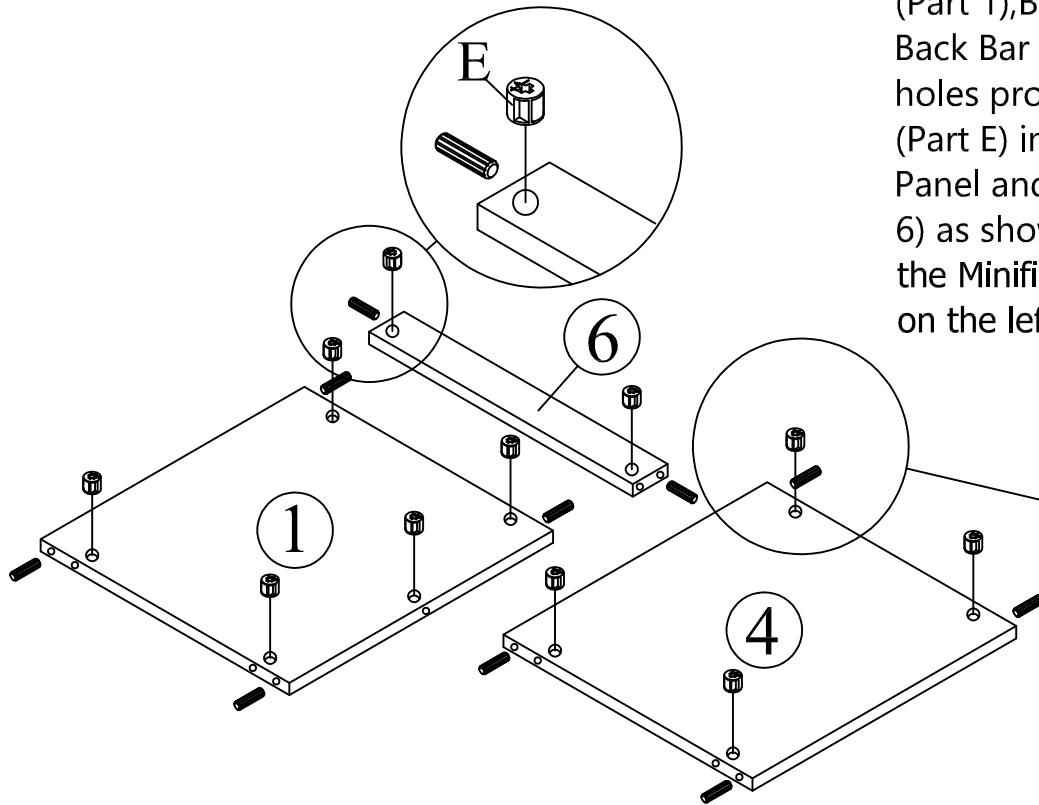


K.White Nail (4 PCS)



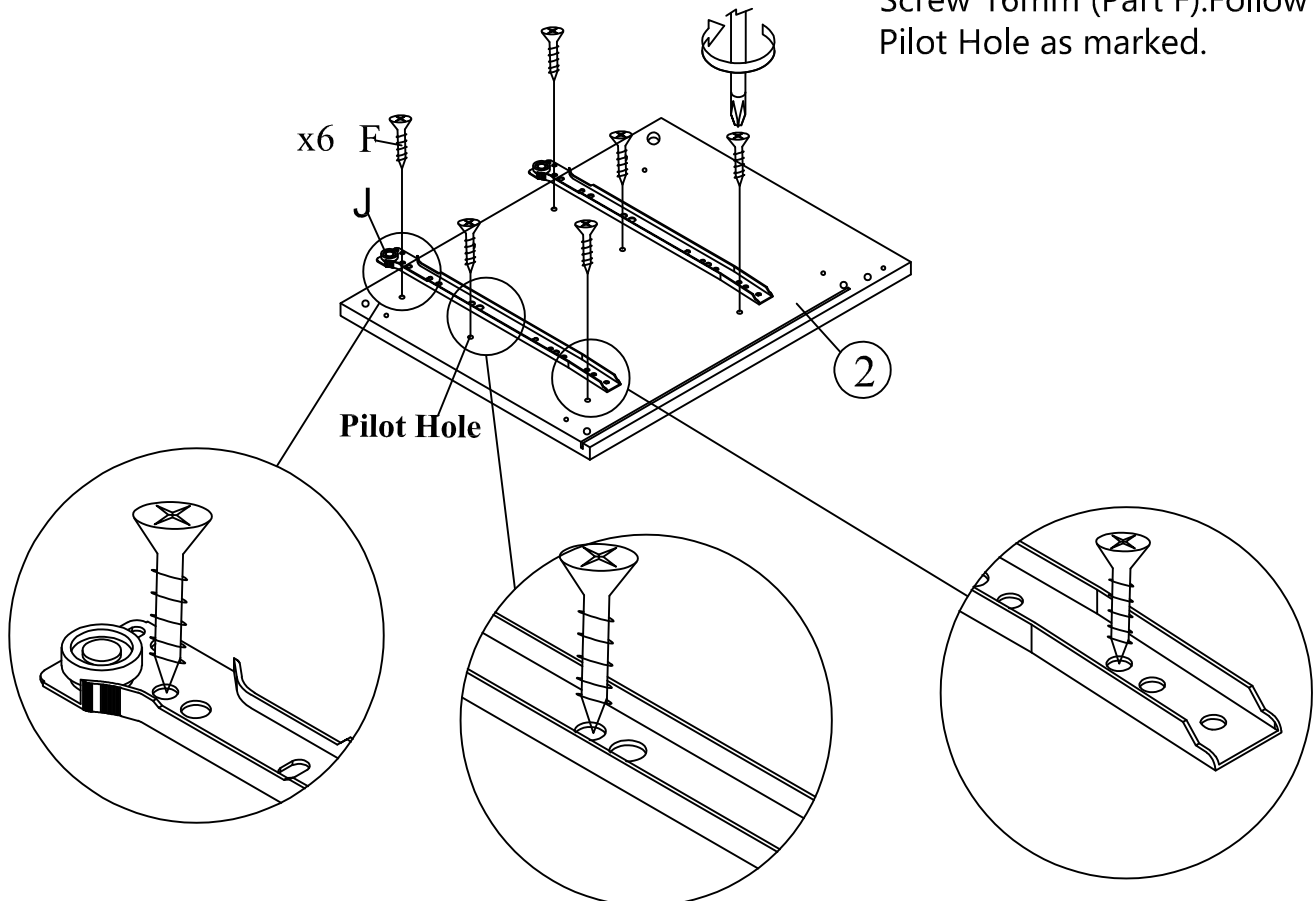
ASSEMBLY INSTRUCTIONS

STEP 1



Tap Dowels (Part B) into the Top Panel (Part 1), Bottom Panel (Part 4) and Top Back Bar Panel (Part 6) in the larger holes provided. Insert Minifix House (Part E) into the Top Panel, Top Back Panel and Bottom Panels (Part 1, 4 and 6) as shown. Ensure the open side of the Minifix House is facing the opening on the left and right side of the panels.

STEP 2

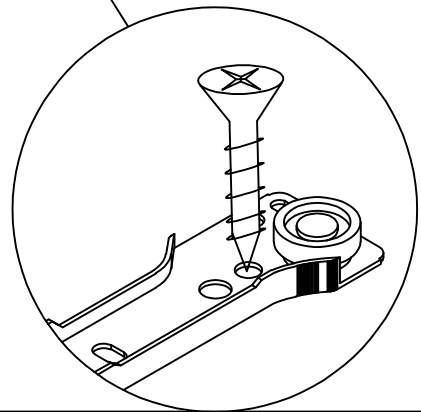
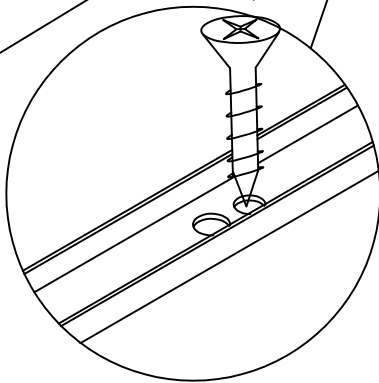
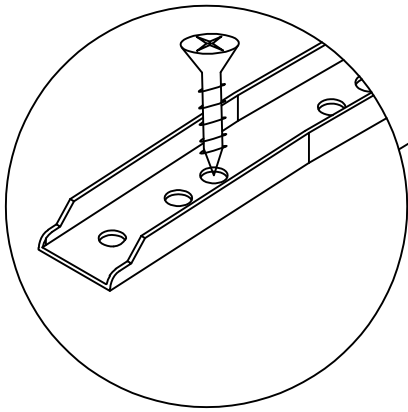
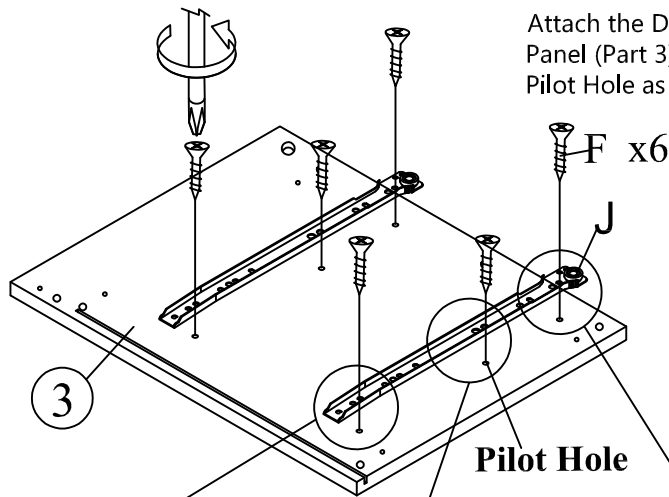


Attach the Drawer Slider (Part J) to the Left Side Panel (Part 2) using Screw 16mm (Part F). Follow the Pilot Hole as marked.

ASSEMBLY INSTRUCTIONS

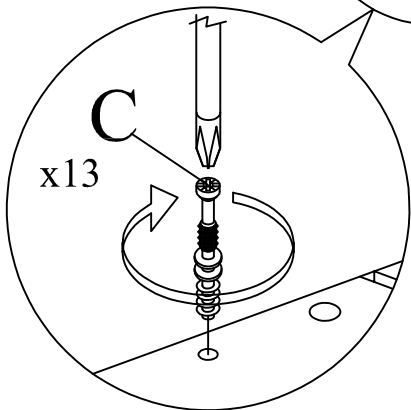
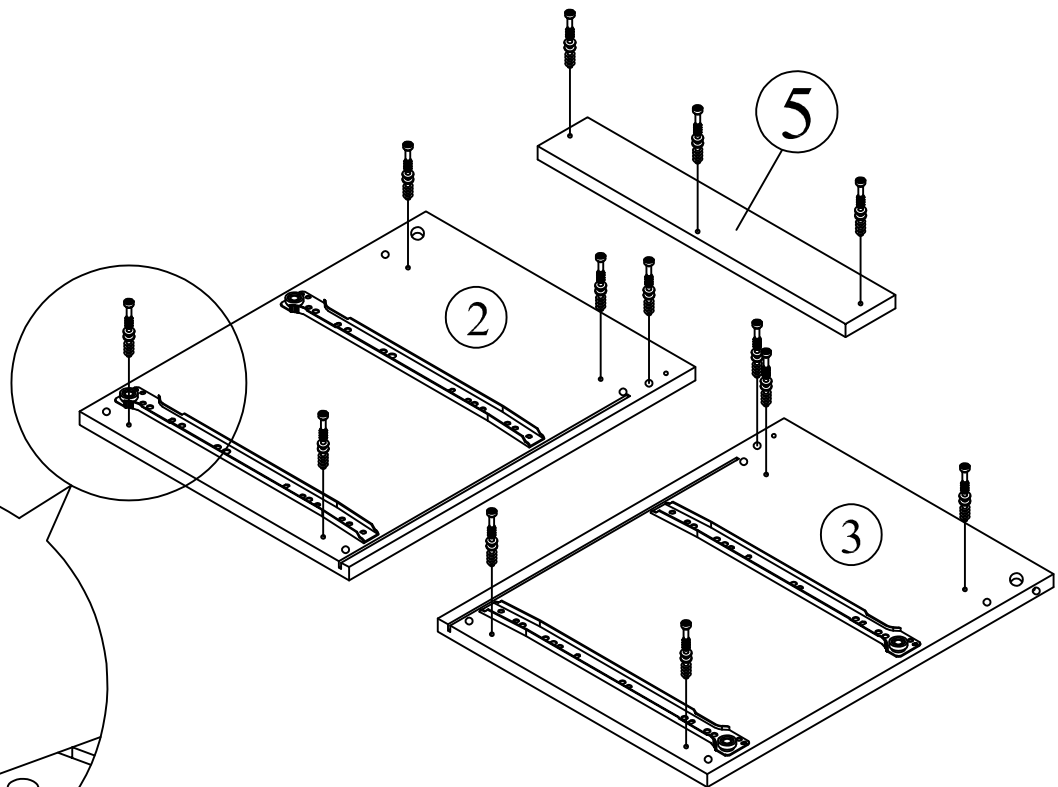
STEP 3

Attach the Drawer Slider (Part J) to the Right Side Panel (Part 3) using Screw 16mm (Part F). Follow the Pilot Hole as marked.



STEP 4

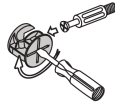
Using a Phillips Head Screwdriver, attach Minifix Bolts (Part C) to the Left Side Panel, Right Side Panel and Top Front bar Panel (Parts 2, 3 & 5)



ASSEMBLY INSTRUCTIONS

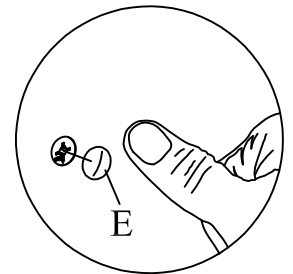
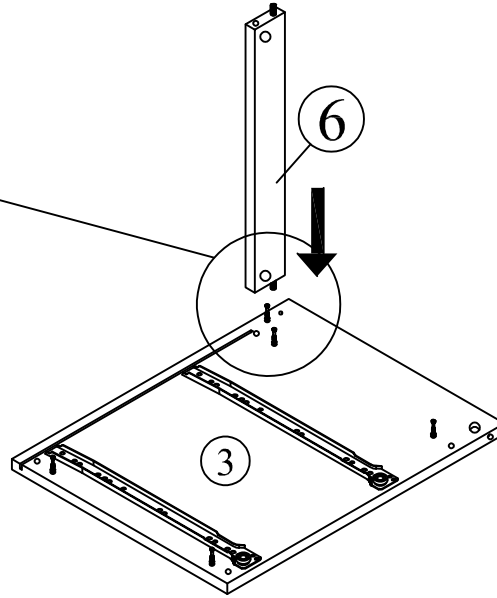
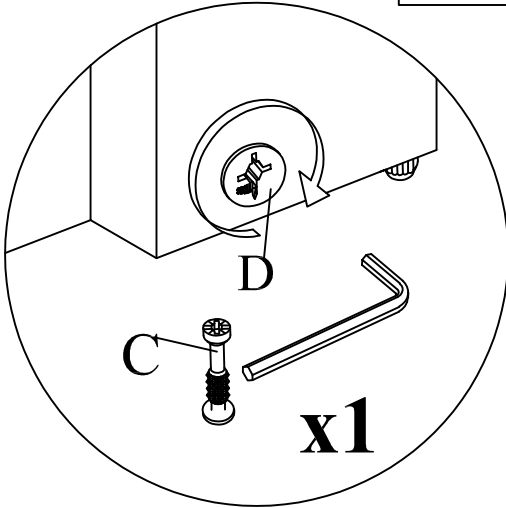
STEP 5

This is how a mini fix works...



The head of the mini fix housing goes into the open mouth of the mini fix bolt. You then turn the mini fix housing so it tightens over the mini fix bolt.

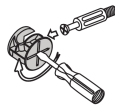
Attach the Top Back Bar Panel (Part 6) to the Right Side Panel (Part 3) as shown. Turn the Minifix House (Part D) to tighten using the Allen Key or screwdriver. Cover the Minifix House using the Minifix Cap (Part E) by pressing it into the Minifix House.



**Attach Minifix Cap as shown.*

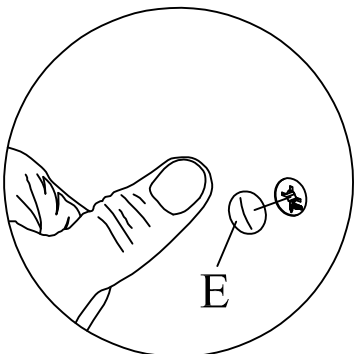
STEP 6

This is how a mini fix works...

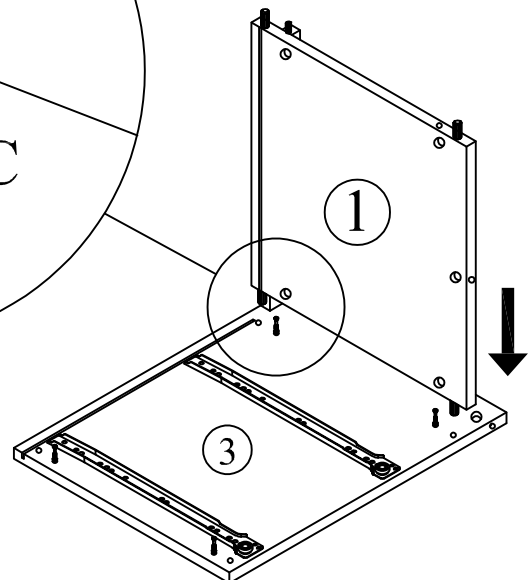
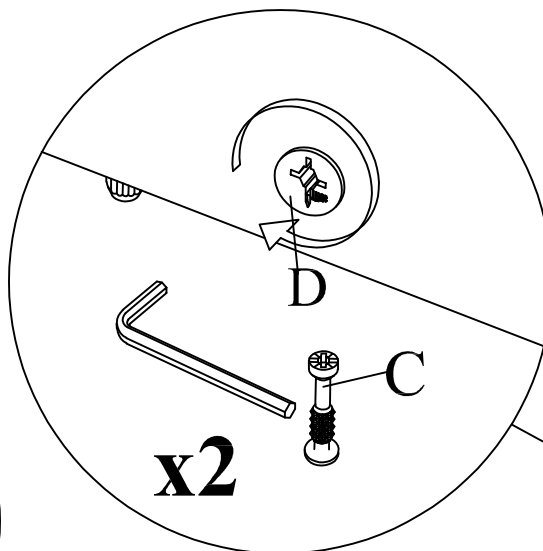


The head of the mini fix housing goes into the open mouth of the mini fix bolt. You then turn the mini fix housing so it tightens over the mini fix bolt.

Attach the Top Panel (Part 1) to the Right Side Panel (Part 3) as shown. Turn the Minifix House (Part D) to tighten using the Allen Key or screwdriver. Cover the Minifix House using the Minifix Cap (Part E) by pressing it into the Minifix House.



**Attach Minifix Cap as shown.*



ASSEMBLY INSTRUCTIONS

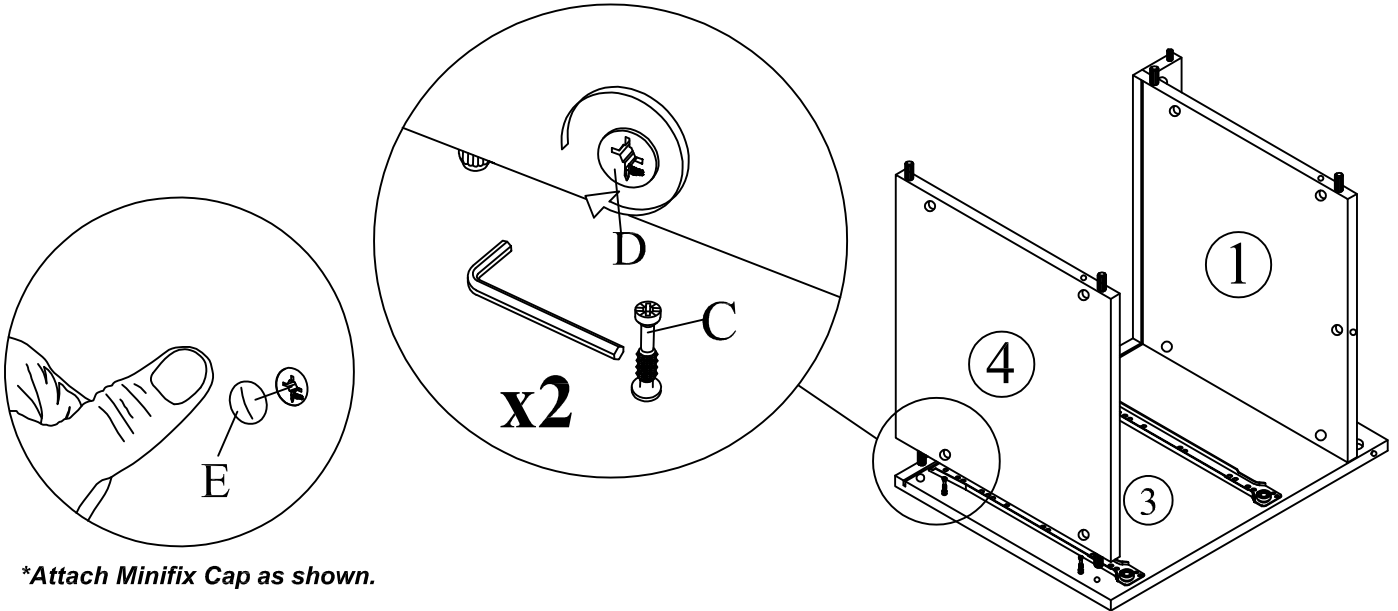
STEP 7

This is how a mini fix works...



The head of the mini fix housing goes into the open mouth of the mini fix bolt. You then turn the mini fix housing so it tightens over the mini fix bolt.

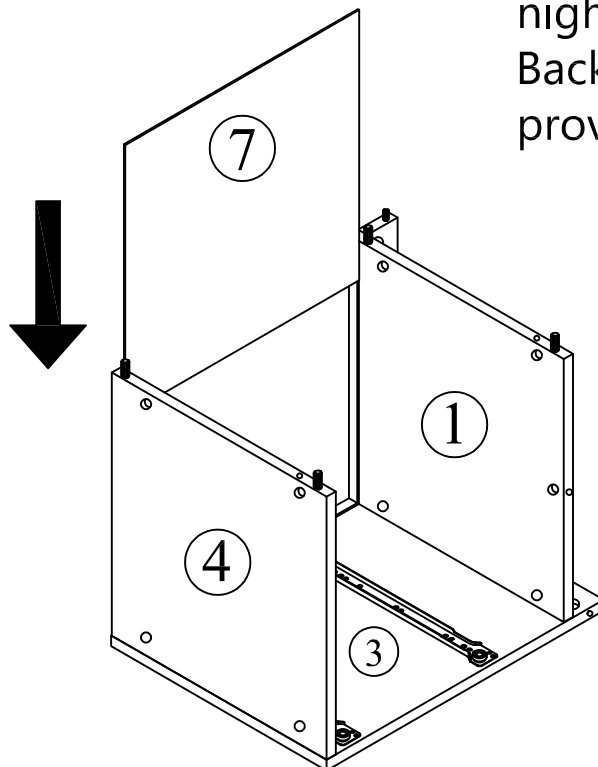
Attach the Bottom Panel (Part 4) to the Right Side Panel (Part 3) as shown. Turn the Minifix House (Part D) to tighten using the Allen Key or screwdriver. Cover the Minifix House using the Minifix Cap (Part E) by pressing it into the Minifix House.



**Attach Minifix Cap as shown.*

STEP 8

Insert the Back Panel (Part 7) into the back of the nightstand by sliding the Back panel into the slots provided.



ASSEMBLY INSTRUCTIONS

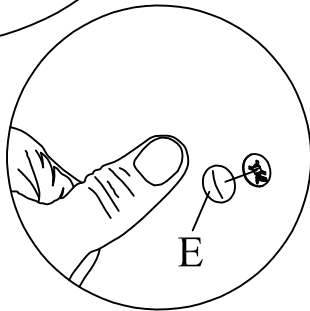
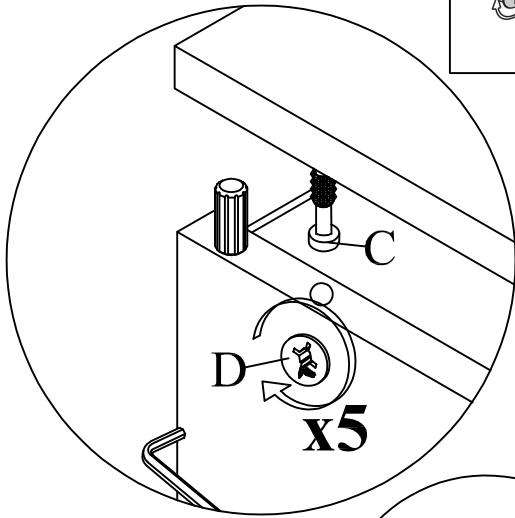
STEP 9

This is how a mini fix works...

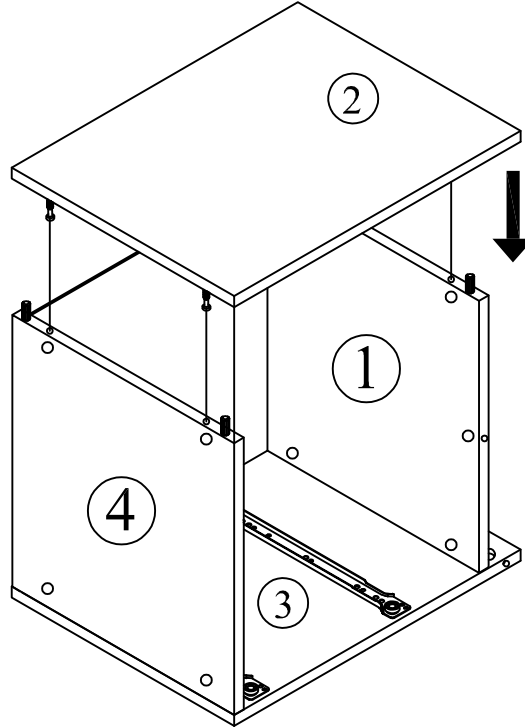


The head of the mini fix housing goes into the open mouth of the mini fix bolt. You then turn the mini fix housing so it tightens over the mini fix bolt.

Attach the Left Side Panel (Part 2) to the Bottom Panel (Part 4) and Top Panel (Part 1) as shown. Turn the Minifix House (Part D) to tighten using the Allen Key or screwdriver. Cover the Minifix House using the Minifix Cap (Part E) by pressing it into the Minifix House.

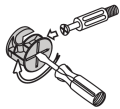


**Attach Minifix Cap as shown.*



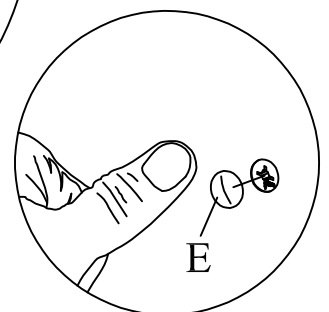
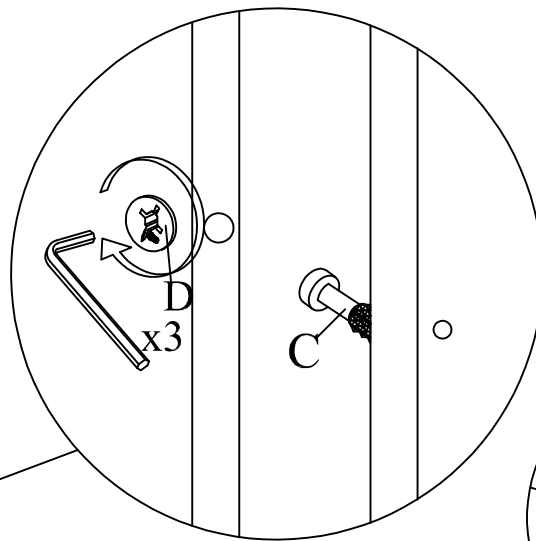
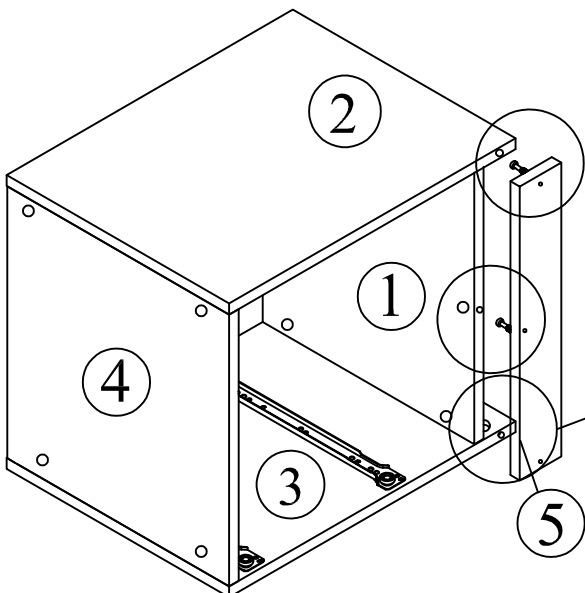
STEP 10

This is how a mini fix works...



The head of the mini fix housing goes into the open mouth of the mini fix bolt. You then turn the mini fix housing so it tightens over the mini fix bolt.

Attach the Top Front Bar Panel (Part 5) to the Top Panel (Part 1), Side Panels (Part 2 and 3) as shown. Turn the Minifix House (Part D) to tighten using the Allen Key or screwdriver. Cover the Minifix House using the Minifix Cap (Part E) by pressing it into the Minifix House.

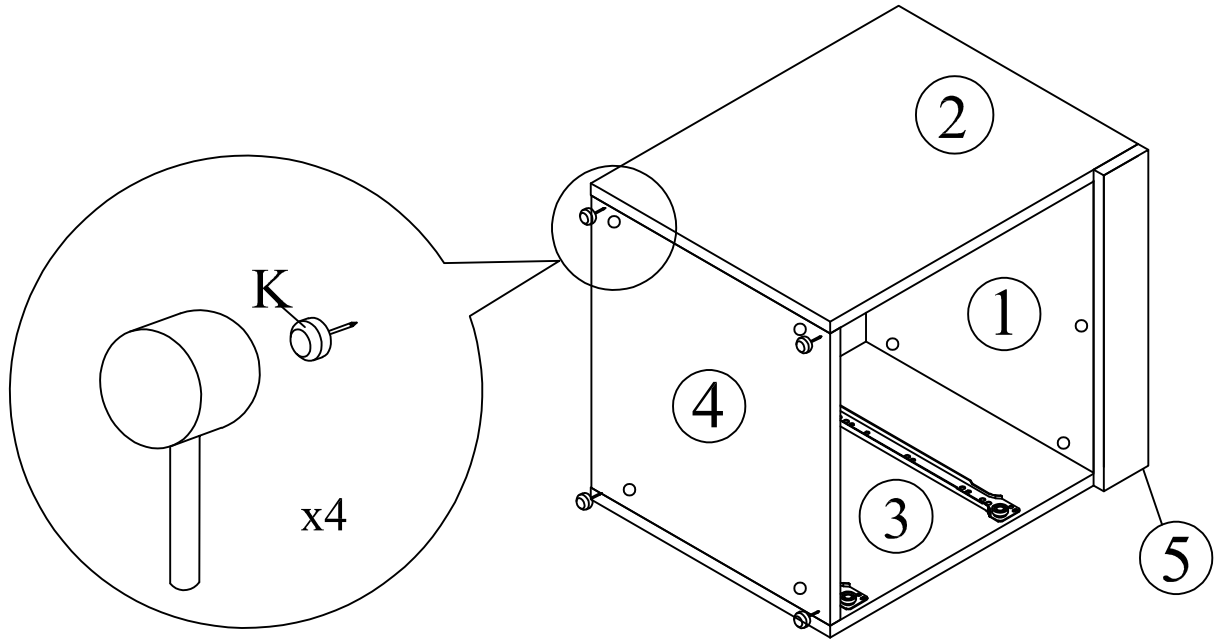


**Attach Minifix Cap as shown.*

ASSEMBLY INSTRUCTIONS

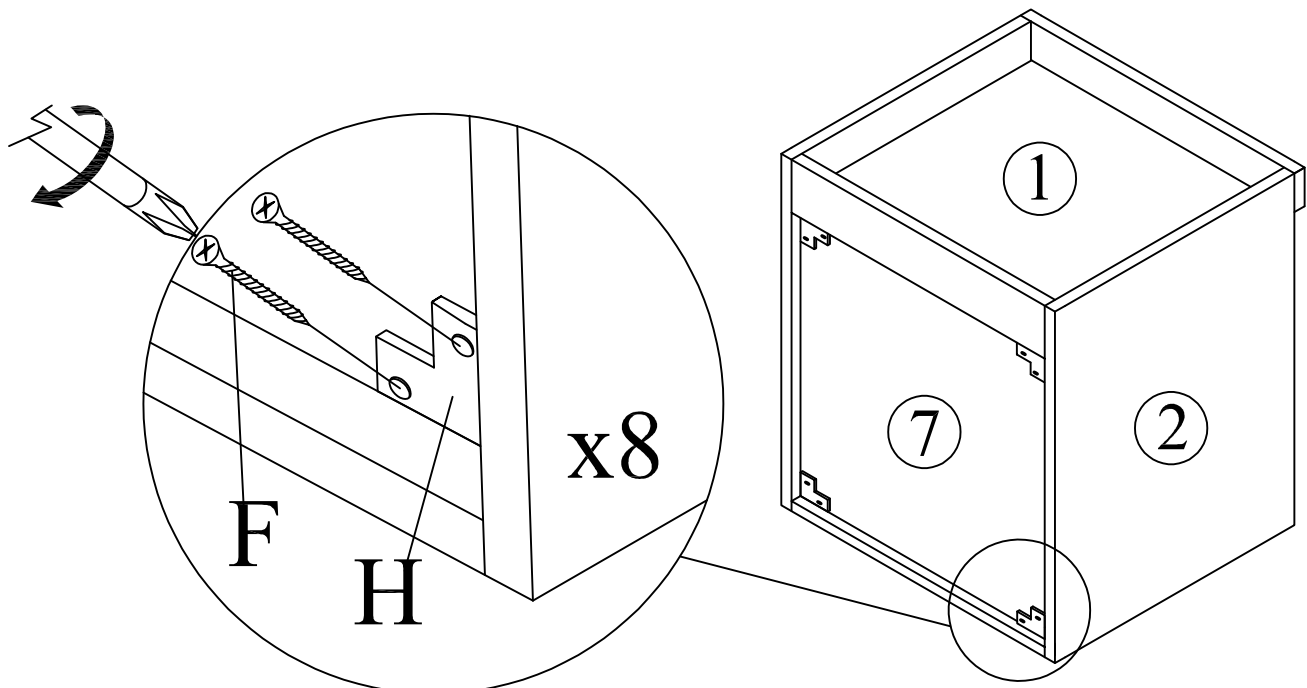
STEP 11

Attach the White Nail (Part K) to the Bottom Panel (Part 4) by either pushing them in with your hand or using a mallet/hammer.



STEP 12

Attach L Bracket (Part H) to each corner of the Back Panel (Part 7) using Screw 16mm (Part F) as shown.

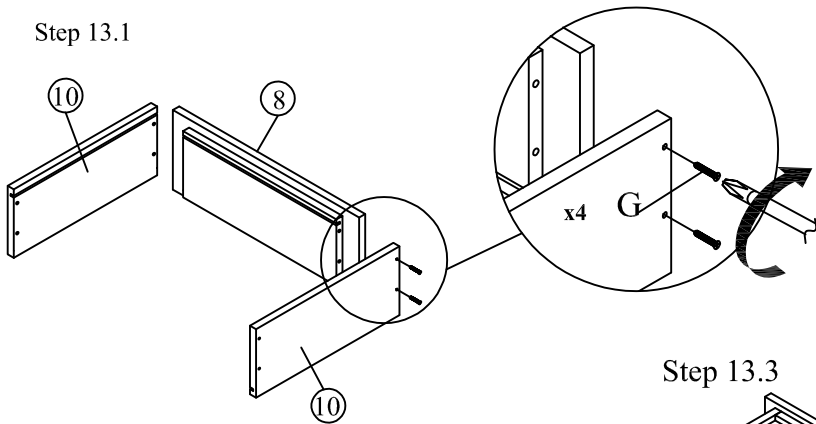


ASSEMBLY INSTRUCTIONS

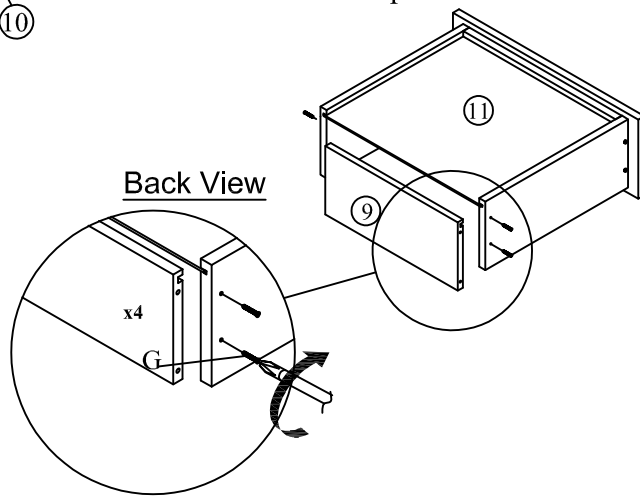
STEP 13

Attach the Small Drawer Side Panels (Part 10) to the Small Drawer Front Panel (Part 8) using Screw 50mm (part G).
Insert the Drawer Bottom Panel (Part 11) as shown. Attach the Small Drawer Back Panel (Part 9) by using Screw 50mm (Part G) as shown.

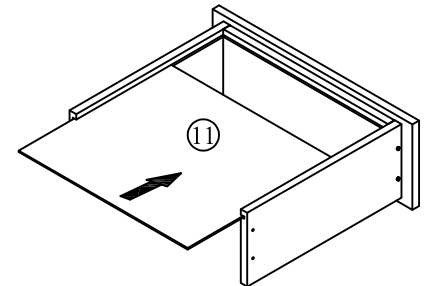
Step 13.1



Step 13.3

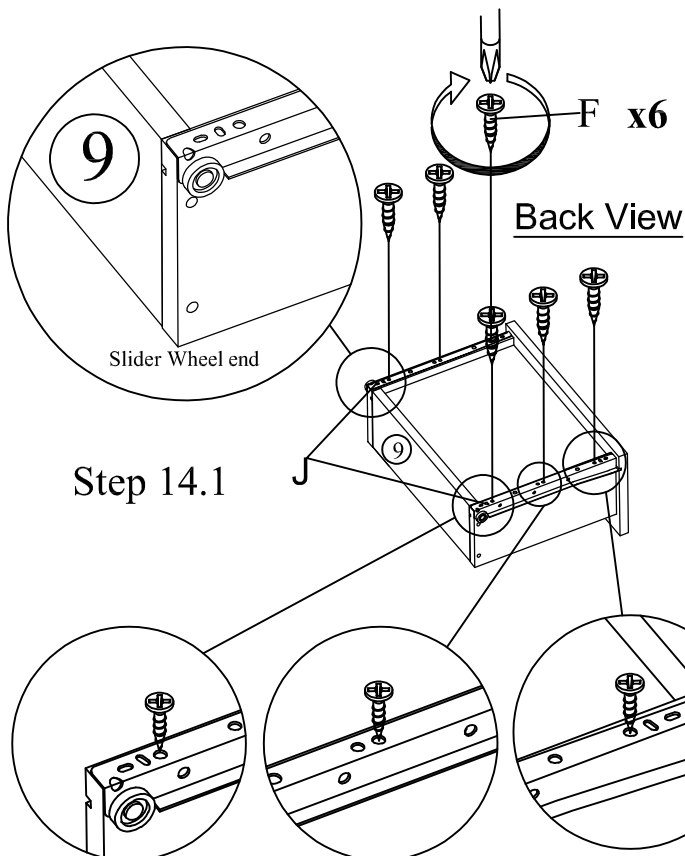


Step 13.2



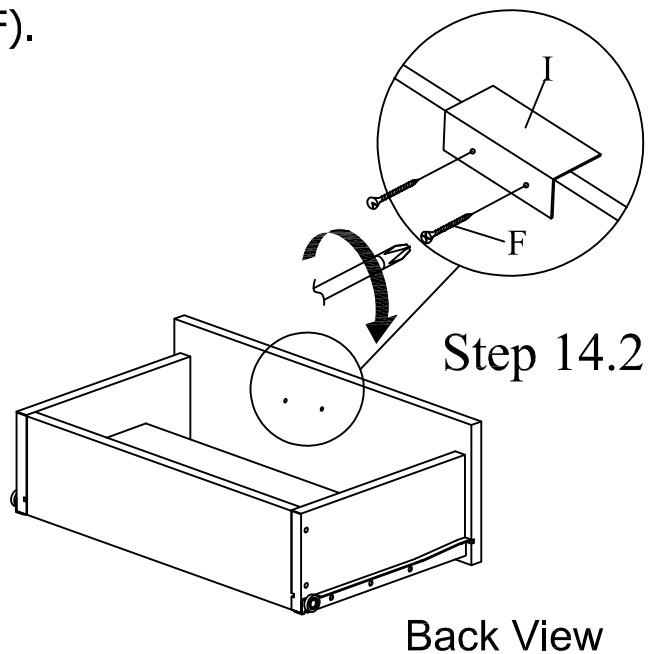
STEP 14

Attach the slider (Part J) to the bottom of the drawer sides using Screw 16mm (Part F) as shown. Attach the Handle (Part I) to the drawer front using Screw 16mm (Part F).



Step 14.1

Step 14.2



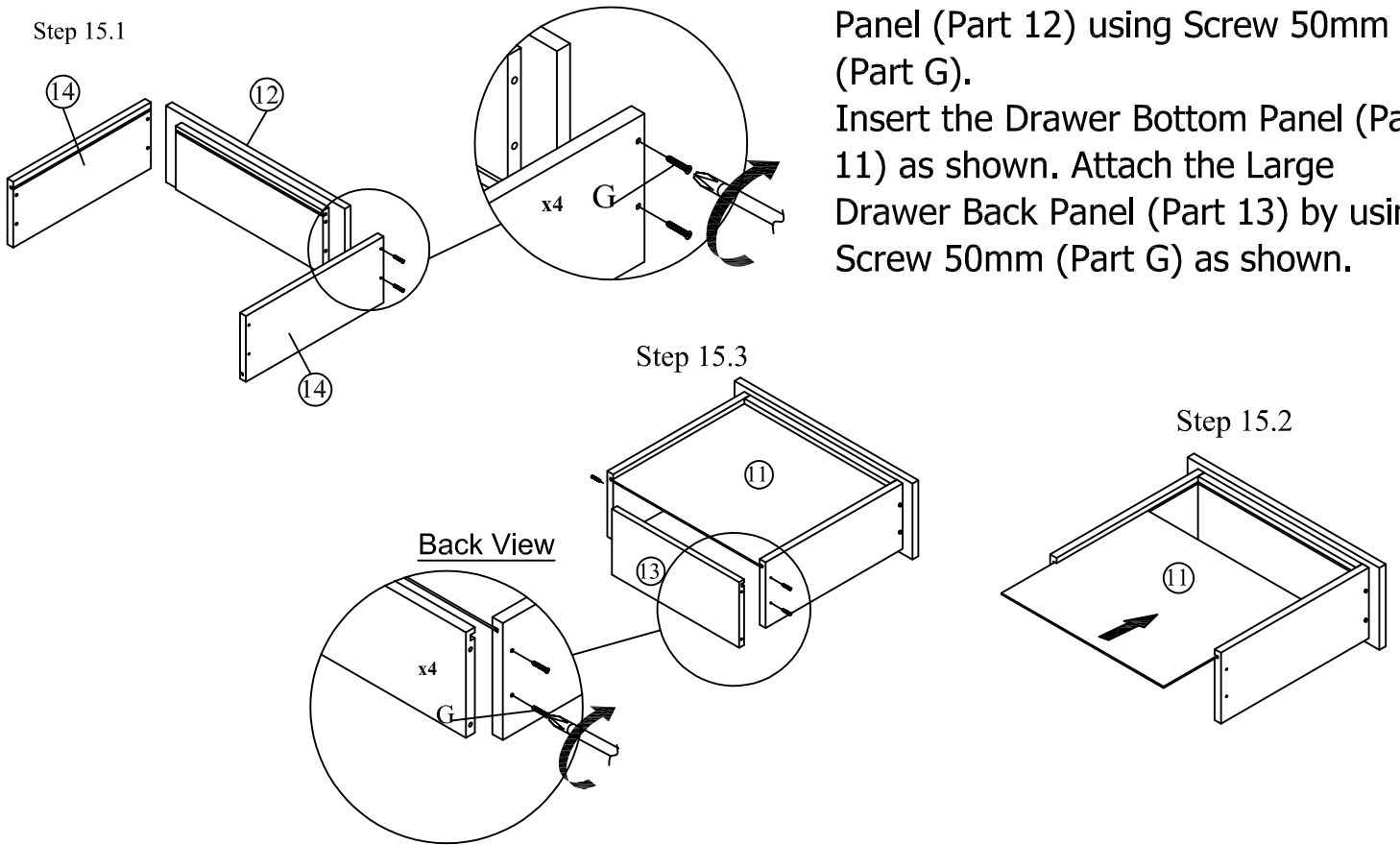
Back View

ASSEMBLY INSTRUCTIONS

STEP 15

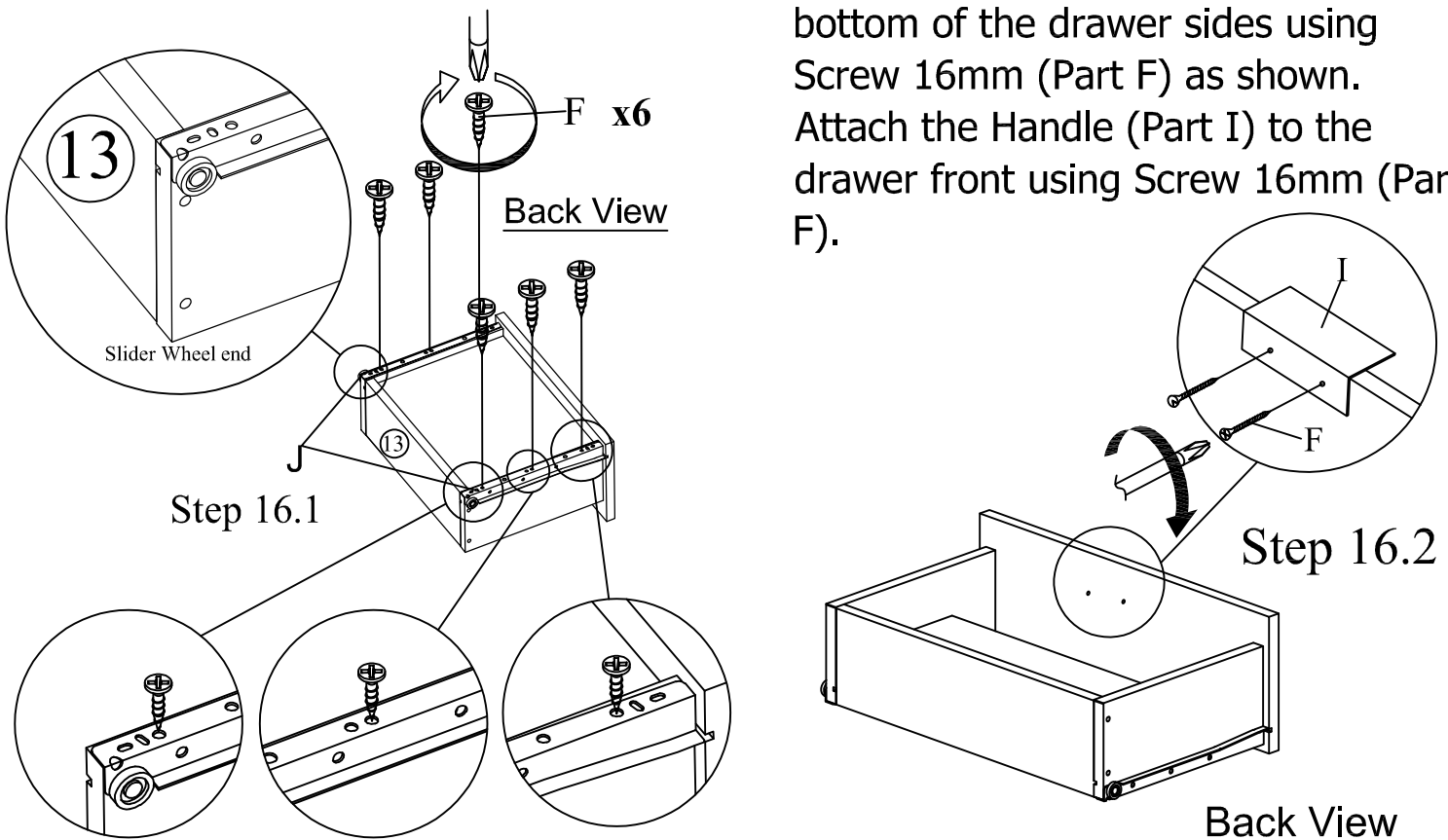
Attach the Large Drawer Side Panels (Part 14) to the Large Drawer Front Panel (Part 12) using Screw 50mm (Part G).

Insert the Drawer Bottom Panel (Part 11) as shown. Attach the Large Drawer Back Panel (Part 13) by using Screw 50mm (Part G) as shown.



STEP 16

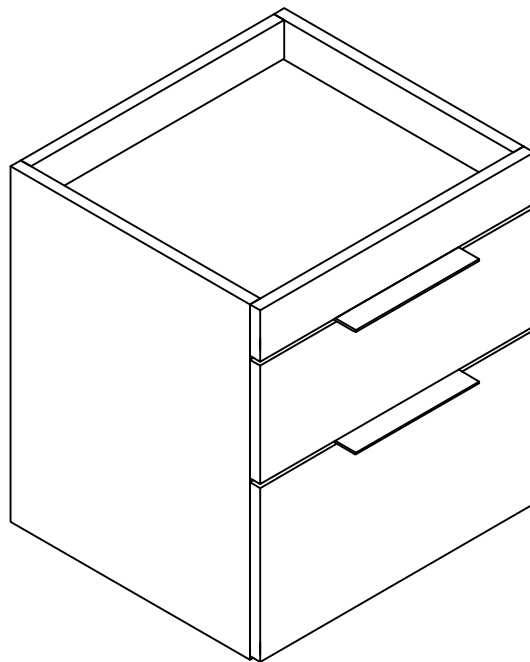
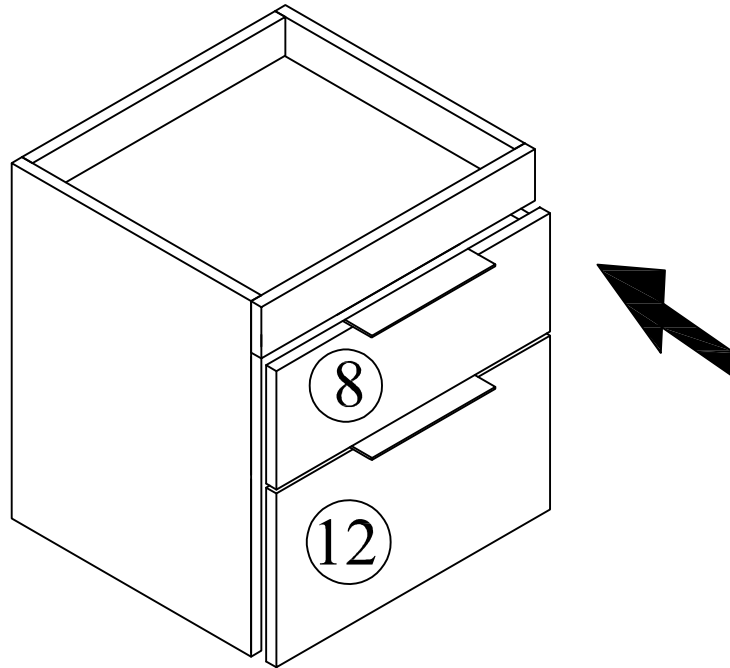
Attach the slider (Part J) to the bottom of the drawer sides using Screw 16mm (Part F) as shown. Attach the Handle (Part I) to the drawer front using Screw 16mm (Part F).



ASSEMBLY INSTRUCTIONS

STEP 17

Insert the drawers as shown.



ASSEMBLY INSTRUCTIONS

YOUR NIGHTSTAND IS NOW READY FOR USE

