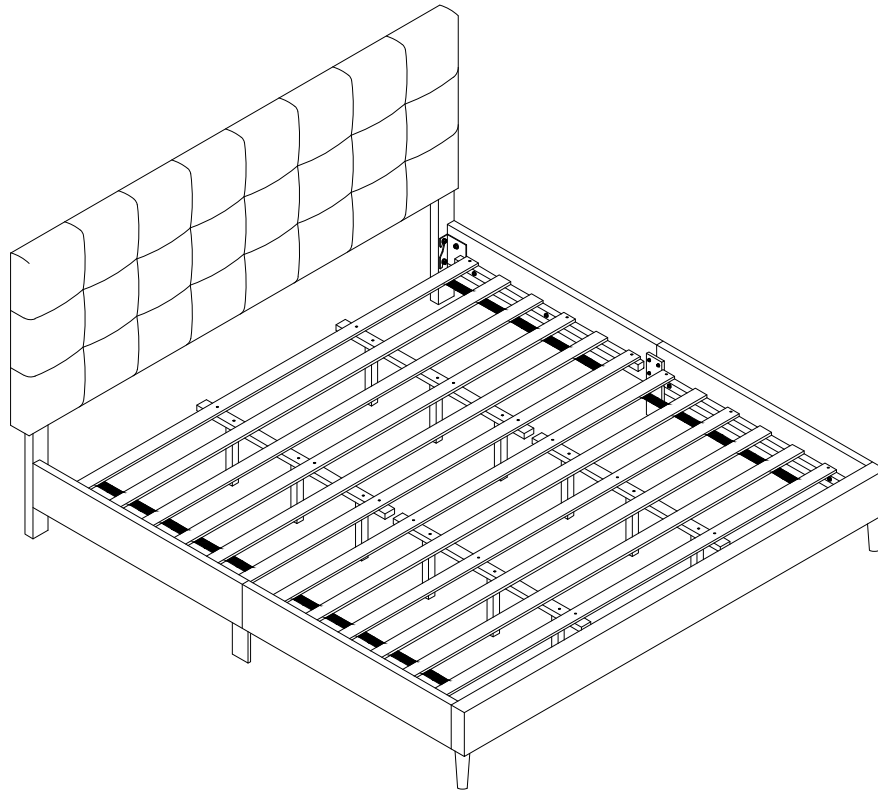
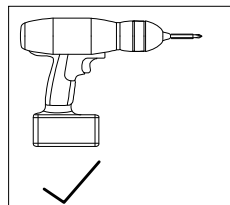


# STANDARD BED

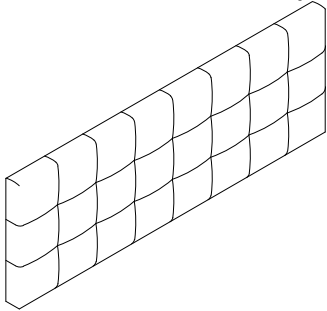
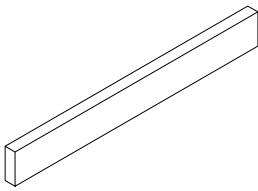
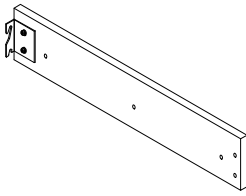
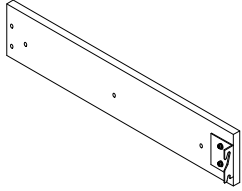


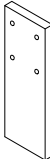

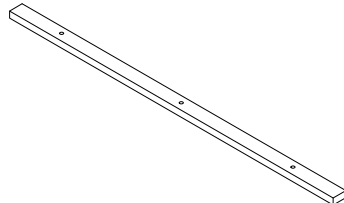
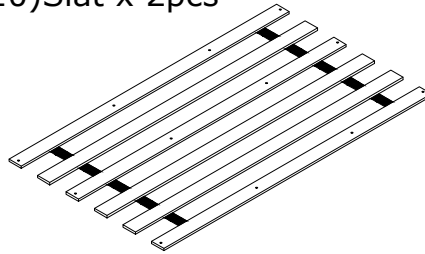
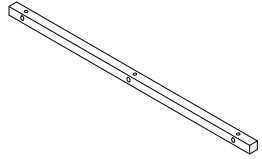


## IMPORTANT NOTE

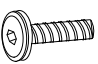
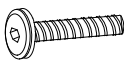
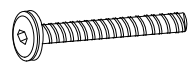



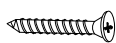
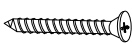
1. PLEASE CHECK THAT ALL PARTS ARE PRESENT BEFORE YOU START THE ASSEMBLY OF YOUR FURNITURE.
2. FOR THE PROTECTION OF YOUR FURNITURE, PLACE ALL PARTS ON A CLEAN AND SMOOTH SURFACE TO PREVENT ANY DAMAGE.
3. DO NOT USE POWER TOOLS TO ASSEMBLE THE BED.
4. PLEASE PERIODICALLY CHECK ALL FITTINGS AND RE-TIGHTEN AS NECESSARY.
5. DO NOT USE THE BED UNLESS ALL BOLTS AND SCREWS ARE FIRMLY SECURED.
6. YOU CAN ASSEMBLE IT WITH OUR PACKAGING TOOLS OR WITH A HOME ELECTRIC DRILL, AS SHOWN BELOW.



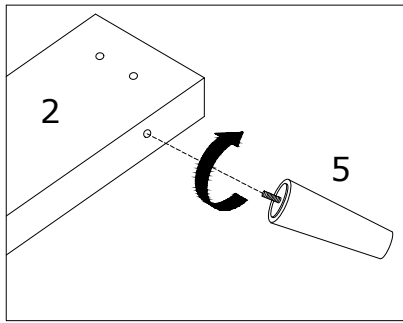
# PART LIST

<p>(1)Headboard Pane x 1pc</p> 	<p>(2)Footboard x 1pc</p> 	<p>(3)Side Rail I x 2pcs</p> 
<p>(4)Side Rail II x 2pcs</p> 	<p>(5)Leg x 2pcs</p> 	<p>(6)Support Leg x 12pcs</p> 
<p>(7)Support Leg II x 2pcs</p> 	<p>(8)Headboard support x 2pcs</p> 	<p>(9)Centre Support Bar x 4pcs</p> 
<p>(10)Slat x 2pcs</p> 	<p>(11)Support Bar x 4pcs</p> 	

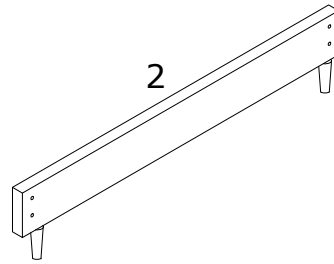
# HARDWARE LIST

<p>(H1)Bolt M8 x 20mm x 4pcs</p> 	<p>(H2)Bolt M8 x 35mm x 24pcs</p> 	<p>(H3)Bolt M8 x 40mm x 6pcs</p> 
<p>(H4)Spring Washer x 22pcs</p> 	<p>(H5)Flat Washer x 34pcs</p> 	<p>(H6)Allen Key M5 x 1pc</p> 
<p>(H7)Screw M4 x 30mm x 24pcs</p> 	<p>(H8)Screw M4 x 45mm x 12pcs</p> 	

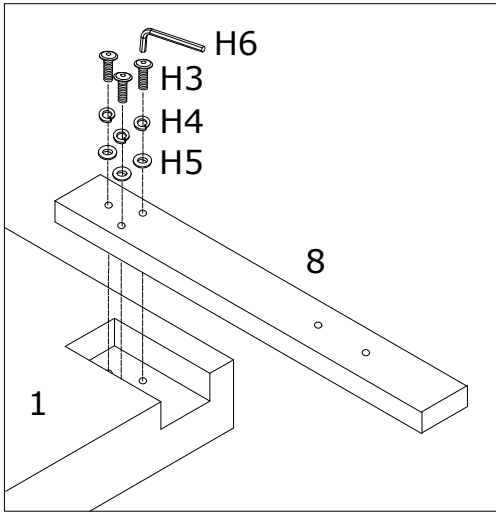
STEP 1 SCREW LEGS (5) INTO FOOTBOARD (2).



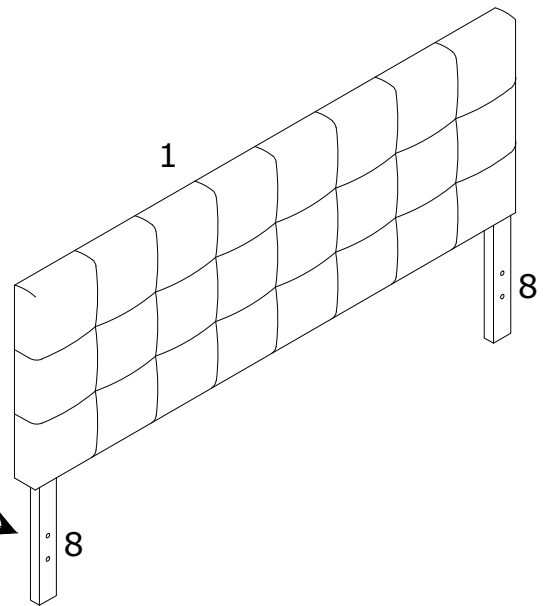
X 2



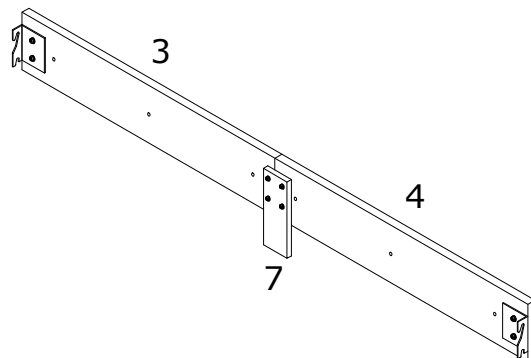
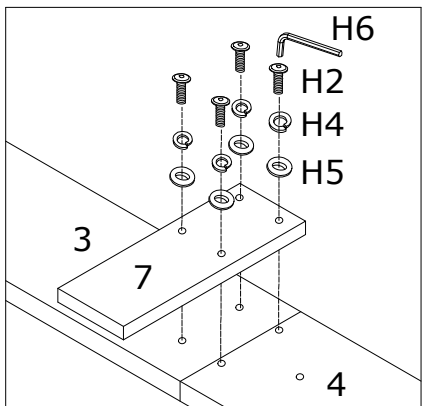
STEP 2 FIXING HEADBOARD SUPPORT (8) TO HEADBOARD PANE (1). SECURE USING FIXINGS (H3), (H4), (H5) AND (H6).



X 2

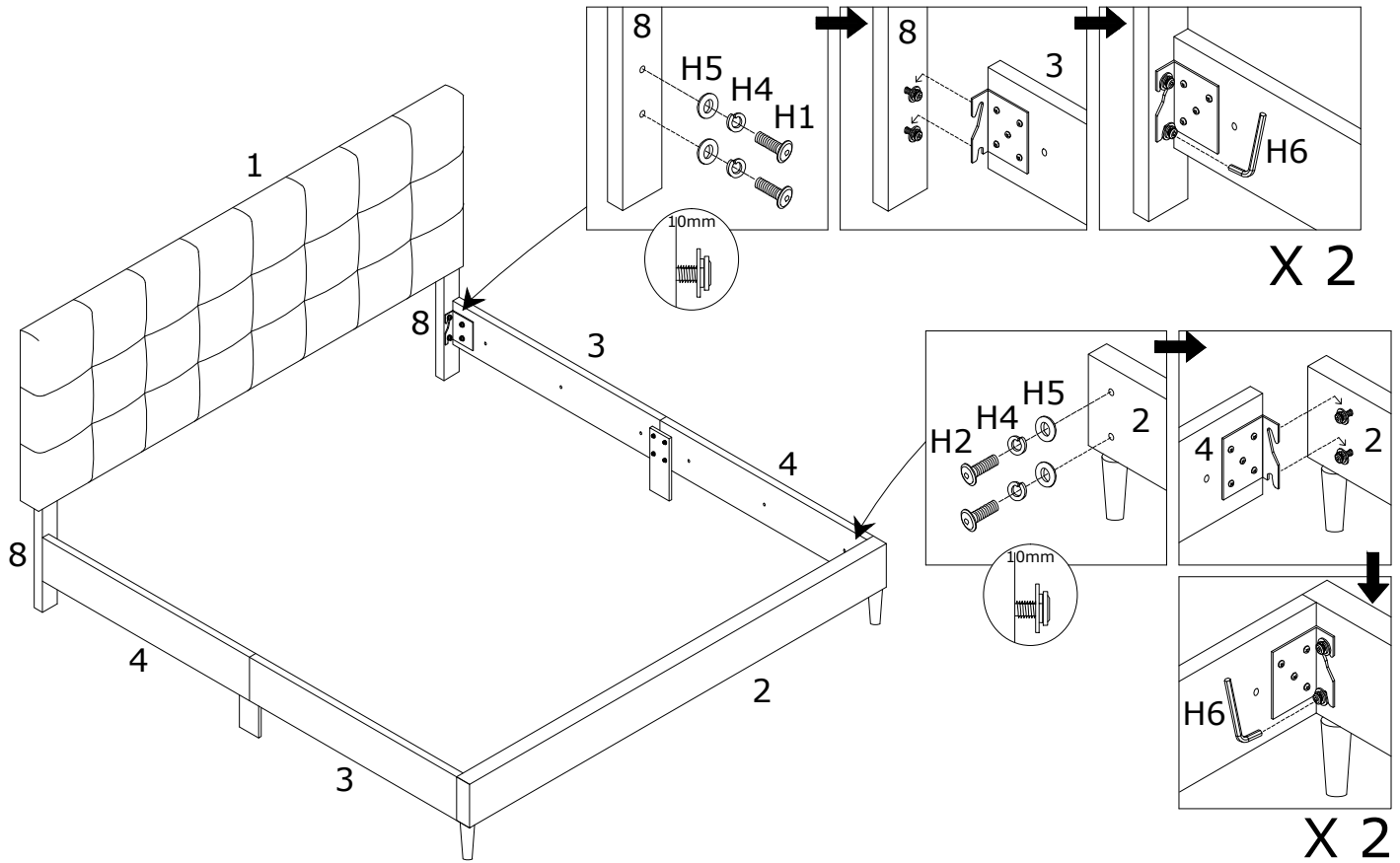


STEP 3 FIXING SUPPORT LEG II (7) TO SIDE RAIL I (3) AND SIDE RAIL II (4). SECURE USING FIXINGS (H2), (H4), (H5) AND (H6).

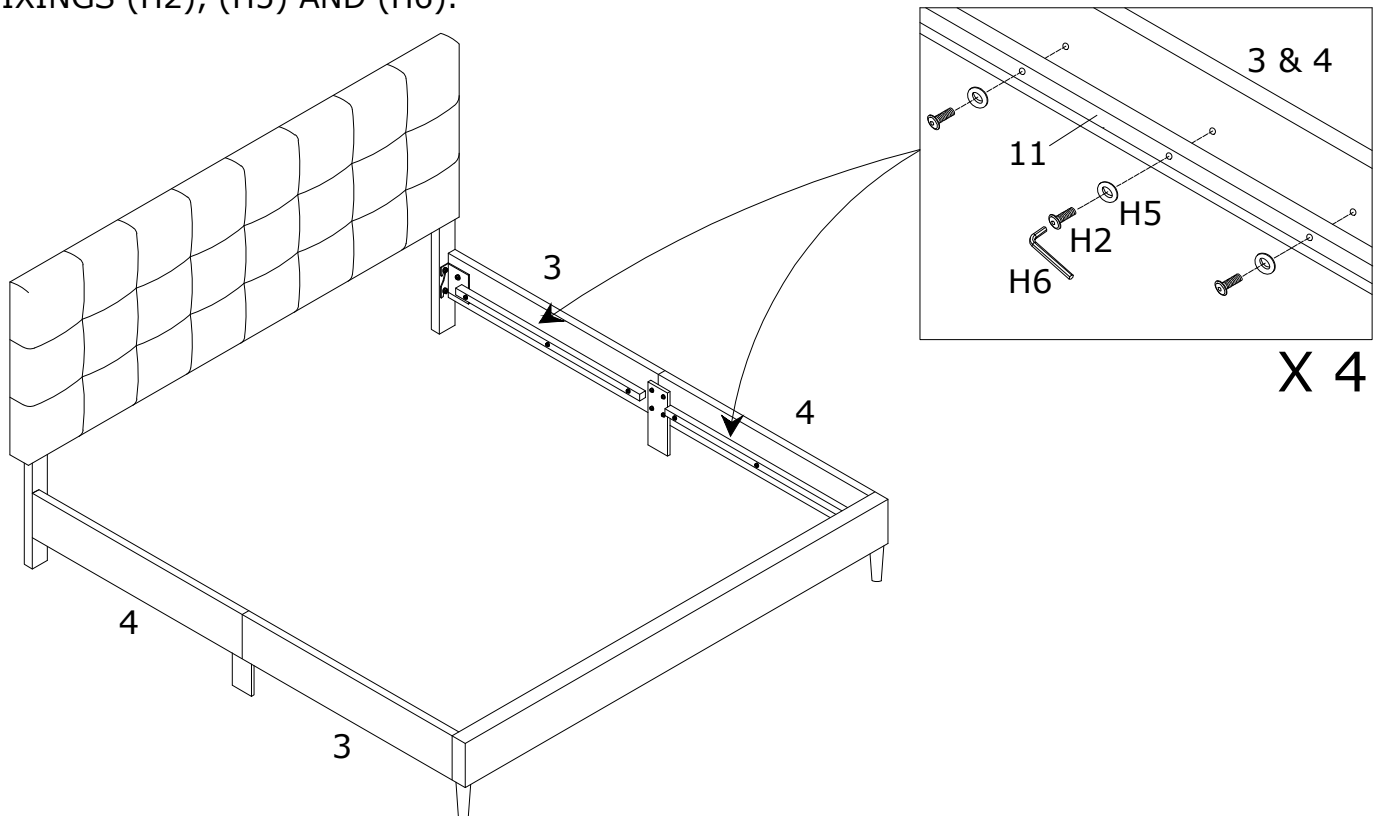


X 2

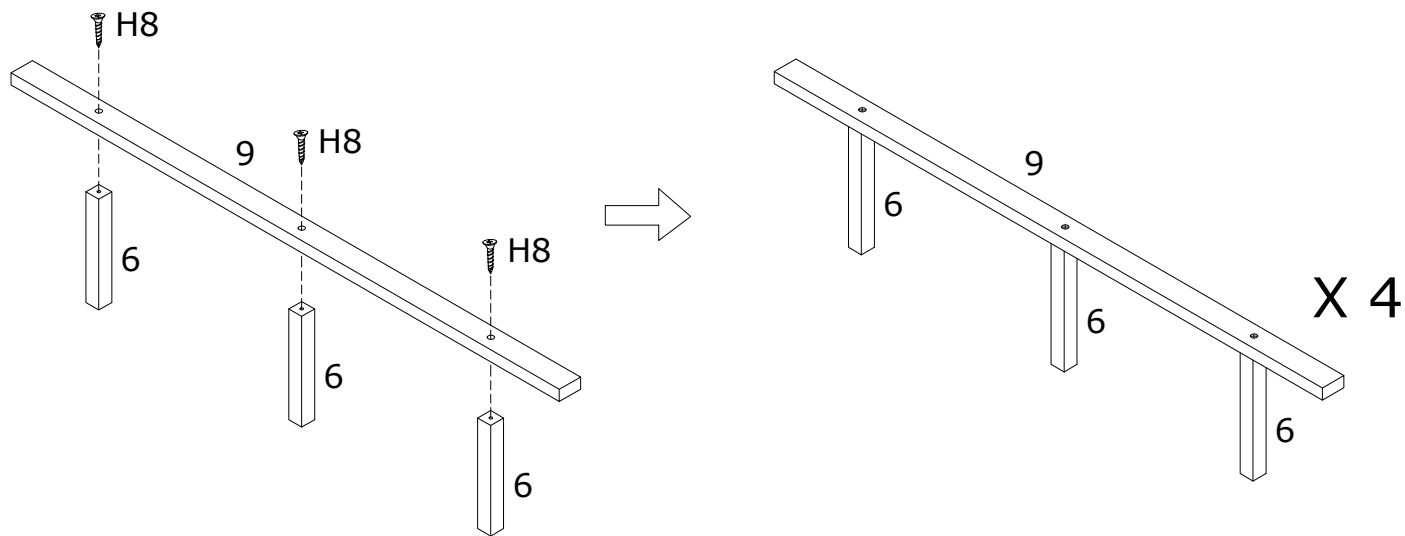
STEP 4 FIXING SIDE RAIL I (3) AND SIDE RAIL II (4) TO HEADBOARD SUPPORT (8). SECURE USING FIXINGS (H1), (H4), (H5) AND (H6). FIXING SIDE RAIL I (3) AND SIDE RAIL II (4) TO FOOTBOARD (2). SECURE USING FIXINGS (H2), (H4), (H5) AND (H6).



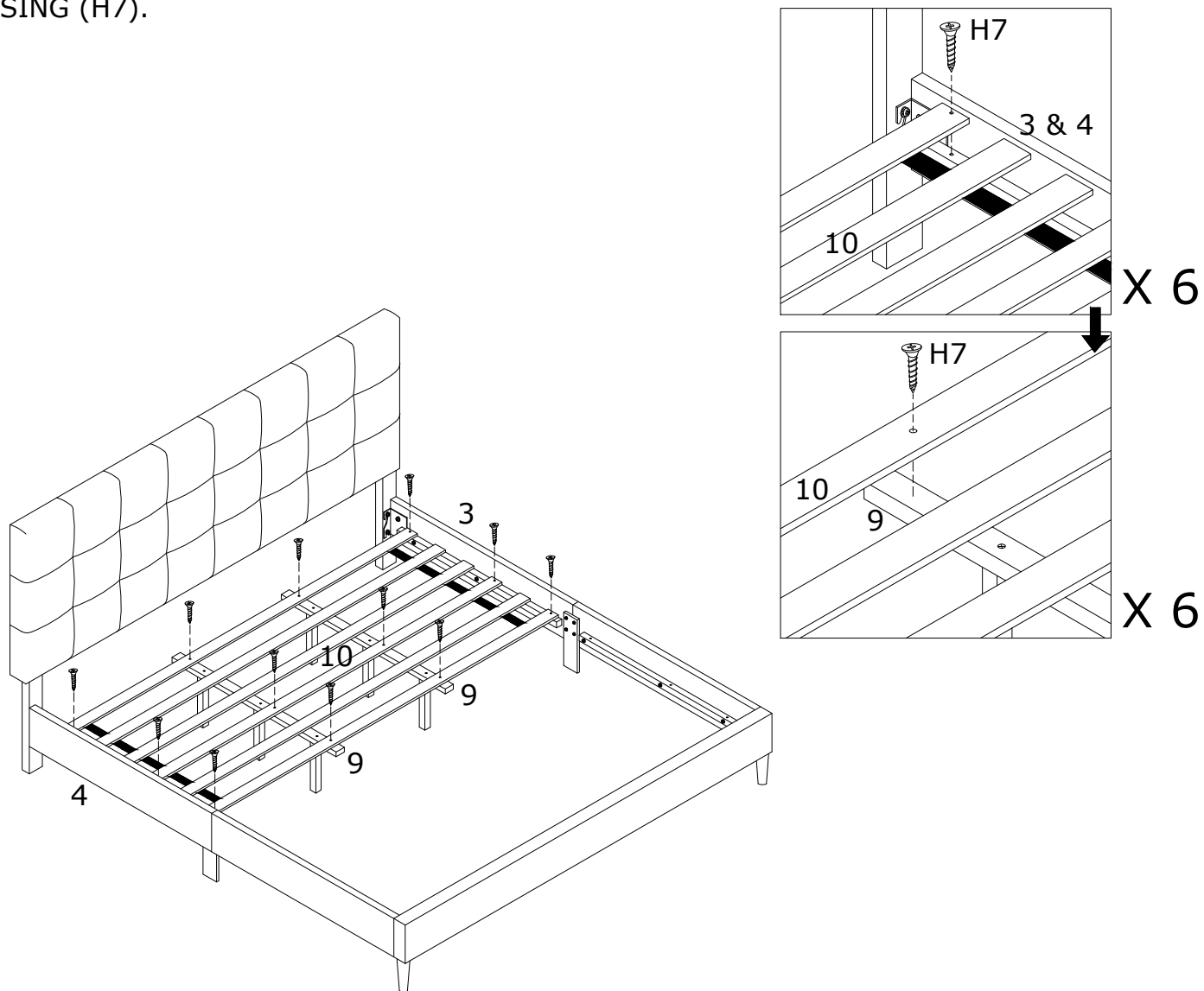
STEP 5 FIXING Support Bar (11) TO SIDE RAIL I (3) AND SIDE RAIL II (4). SECURE USING FIXINGS (H2), (H5) AND (H6).



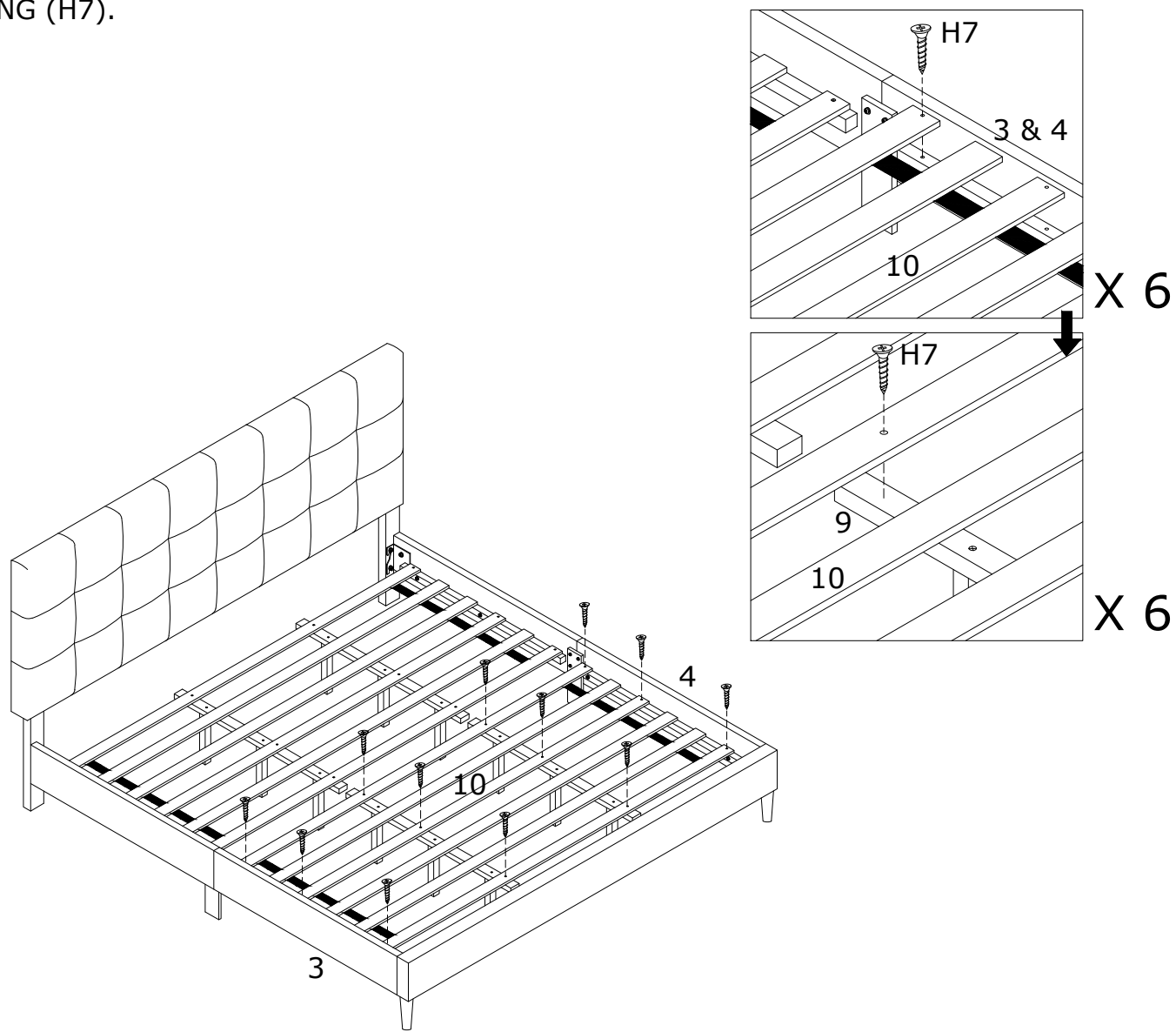
STEP 6 FIXING SUPPORT LEG (6) TO CENTRE SUPPORT BAR (9) BY USING (H8).



STEP 7 FIXING SLAT (10) TO SUPPORT BAR (11) AND CENTRE SUPPORT BAR (9) BY USING (H7).



STEP 8 FIXING SLAT (10) TO SUPPORT BAR (11) AND CENTRE SUPPORT BAR (9) BY USING (H7).



**Job Complete !**

*In the interest of our environment please dispose of all packaging thoughtfully.*