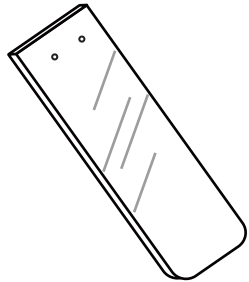
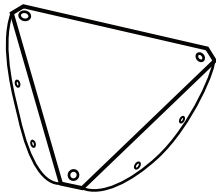


A x 1



B x 3



C x 1



D x 6



E x 3



F x 6



G x 6



H x 3



I x 6



J x 6

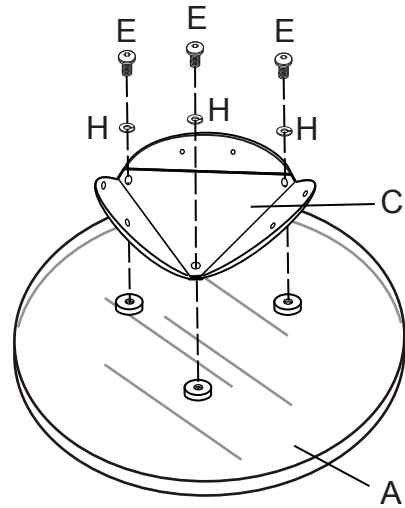


K x 1

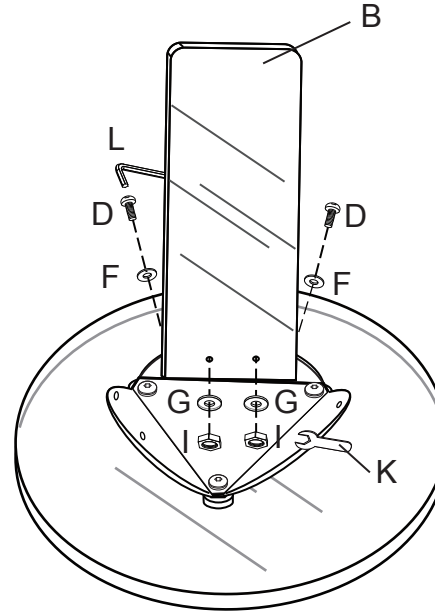


L x 1

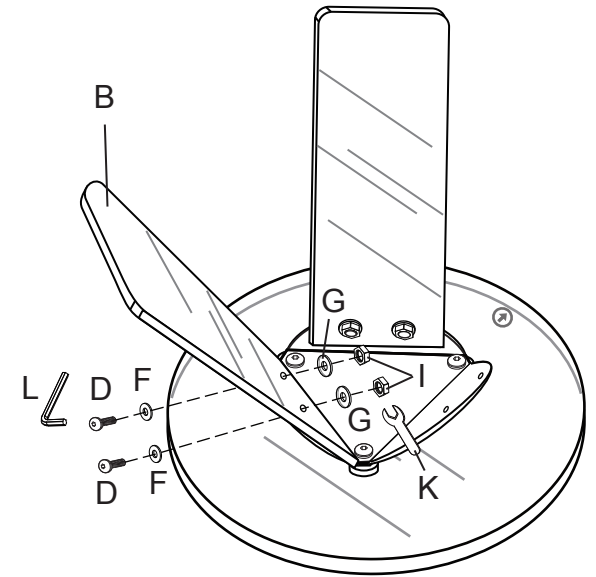
1.



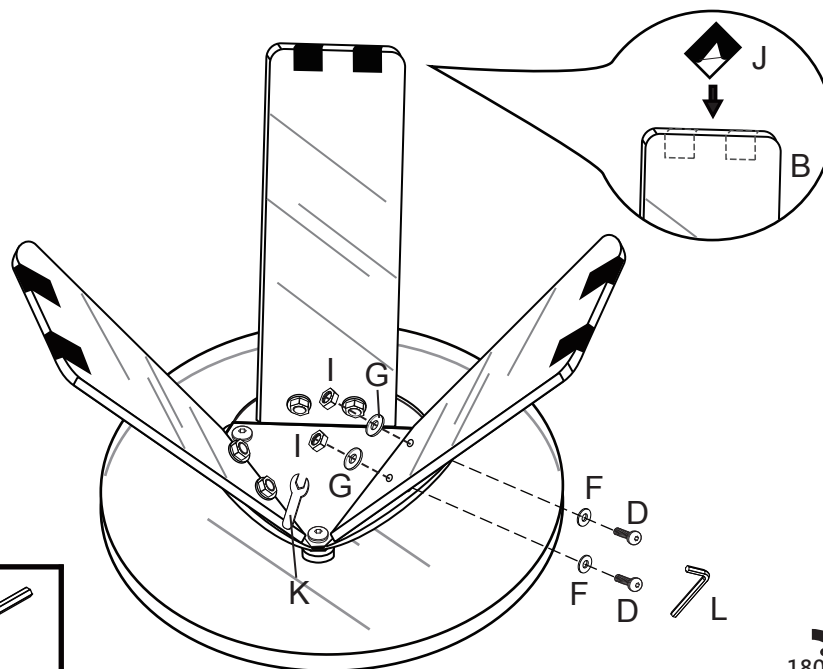
2.



3.



4.



We recommend using felt pads part J to protect hard floors.

180°

