

ASSEMBLY INSTRUCTIONS



Fine Furniture for every stage of life

End table

ASSEMBLY INSTRUCTIONS

ASSEMBLY TIPS:

1. Remove hardware from box and sort by size.
2. Please check to see that all hardware and parts are present prior to start of assembly.
3. Please follow attached instruction in the same sequence as numbered to assure fast & easy assembly.



WARNING!

1. Don't attempt to repair or modify parts that are broken or defective. Please contact the store immediately.
2. This product is for home use only and not intended for commercial establishment.



ASSEMBLY TIME

5 MINUTES

PARTS IDENTIFICATION

B1 (BOX 1)

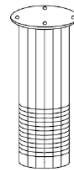
A TOP



1PC

B2 (BOX 2)

B LEG



1PC

HARDWARE IDENTIFICATION

BOX 2- HARDWARE PACK

1

BOLT
(M8 x 20MM-BLK)



4PCS

2

ALLEN WRENCH
(M5 X 70 MM-BLK)



1PC

3

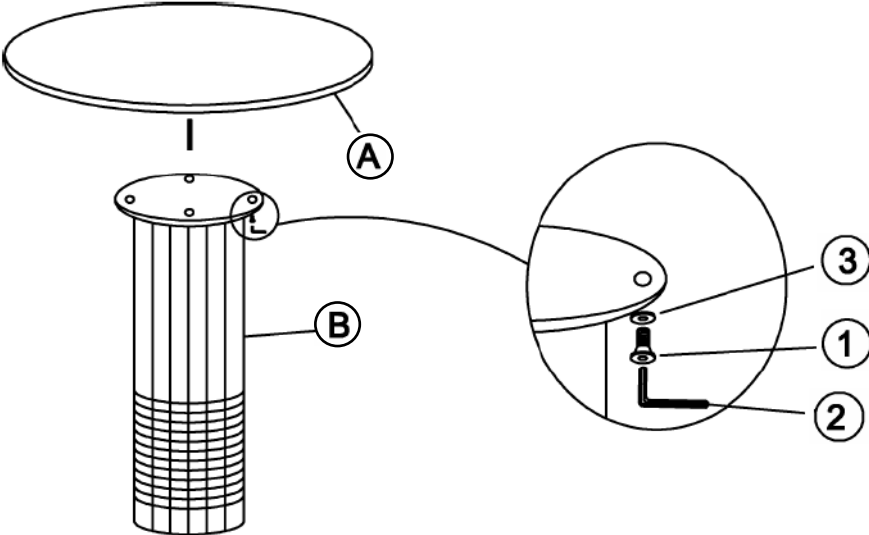
FLAT WASHER
(10MM x 20MM-BLK)



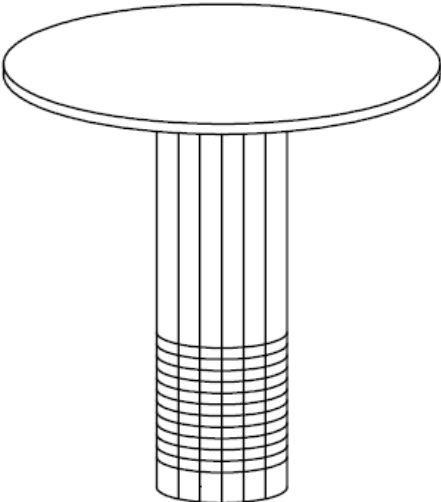
4PCS

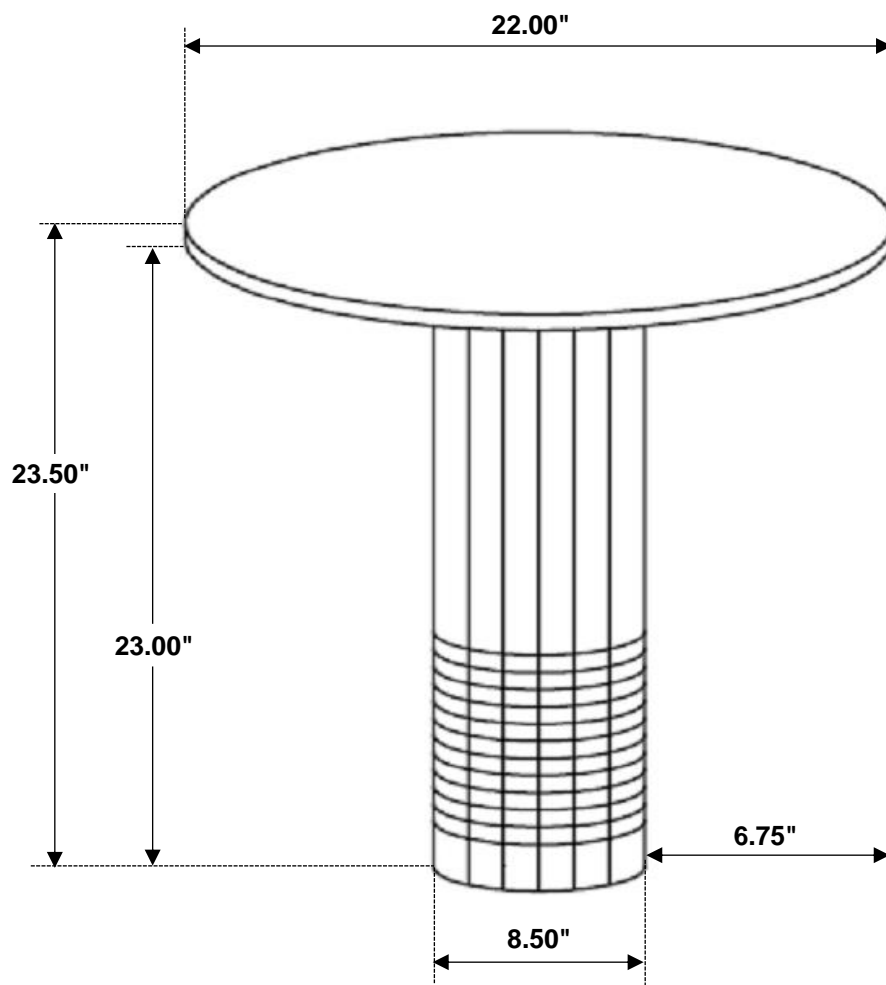
ASSEMBLY INSTRUCTIONS

STEP 1



STEP 2 COMPLETE





Note: Dimension tolerance $\pm 5\%$