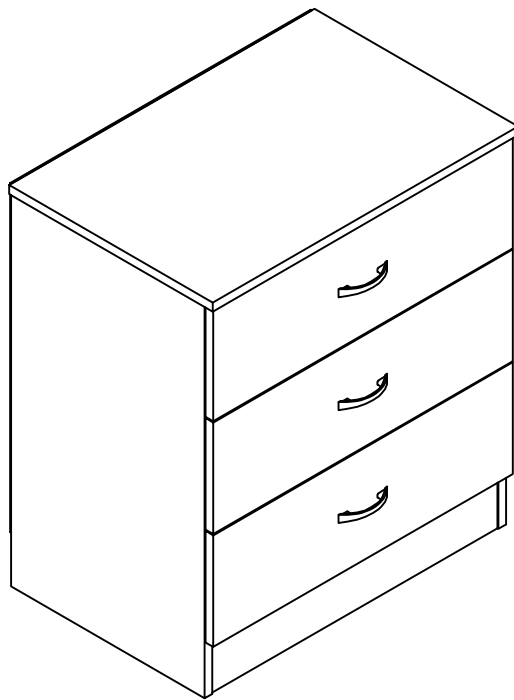


High Gloss Bedroom Furniture Set

Wardrobe Door Hinge with Soft Close Function

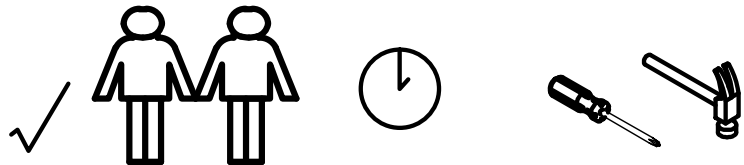
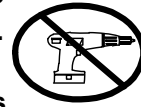
ASSEMBLY INSTRUCTION - Please Keep for Future Reference



Safety and Care Advice

IMPORTANT - Please Read This Instruction Carefully Before Assembly.

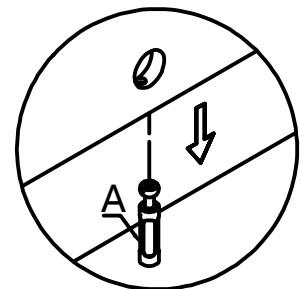
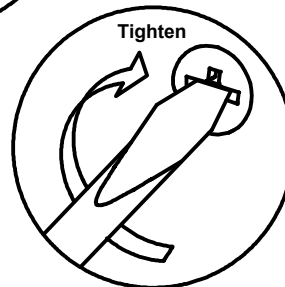
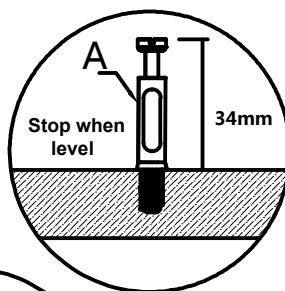
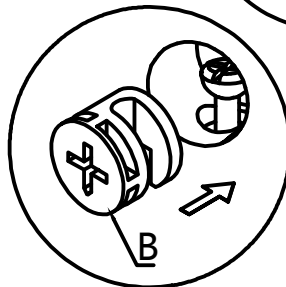
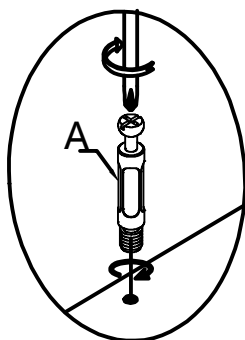
- Check you have all the components and tools listed on page 3.
- Remove all settings from the plastic bags and separate them into their groups.
- Keep children and animals away from the work area, small parts could choke if swallowed.
- Make sure you have enough space to layout the parts before assembly.
- Do not stand or put weight on the product, this could cause damage.
- Assemble the item as close to it's intended position (in the same room) as possible.
- Assemble on a soft level surface to avoid damaging the unit.
- Parts of the assembly will be easier with 2 people.
- Do not use power drill/drivers for assembly, or the unit may be damaged.
- Dispose of all packaging carefully and responsibly.

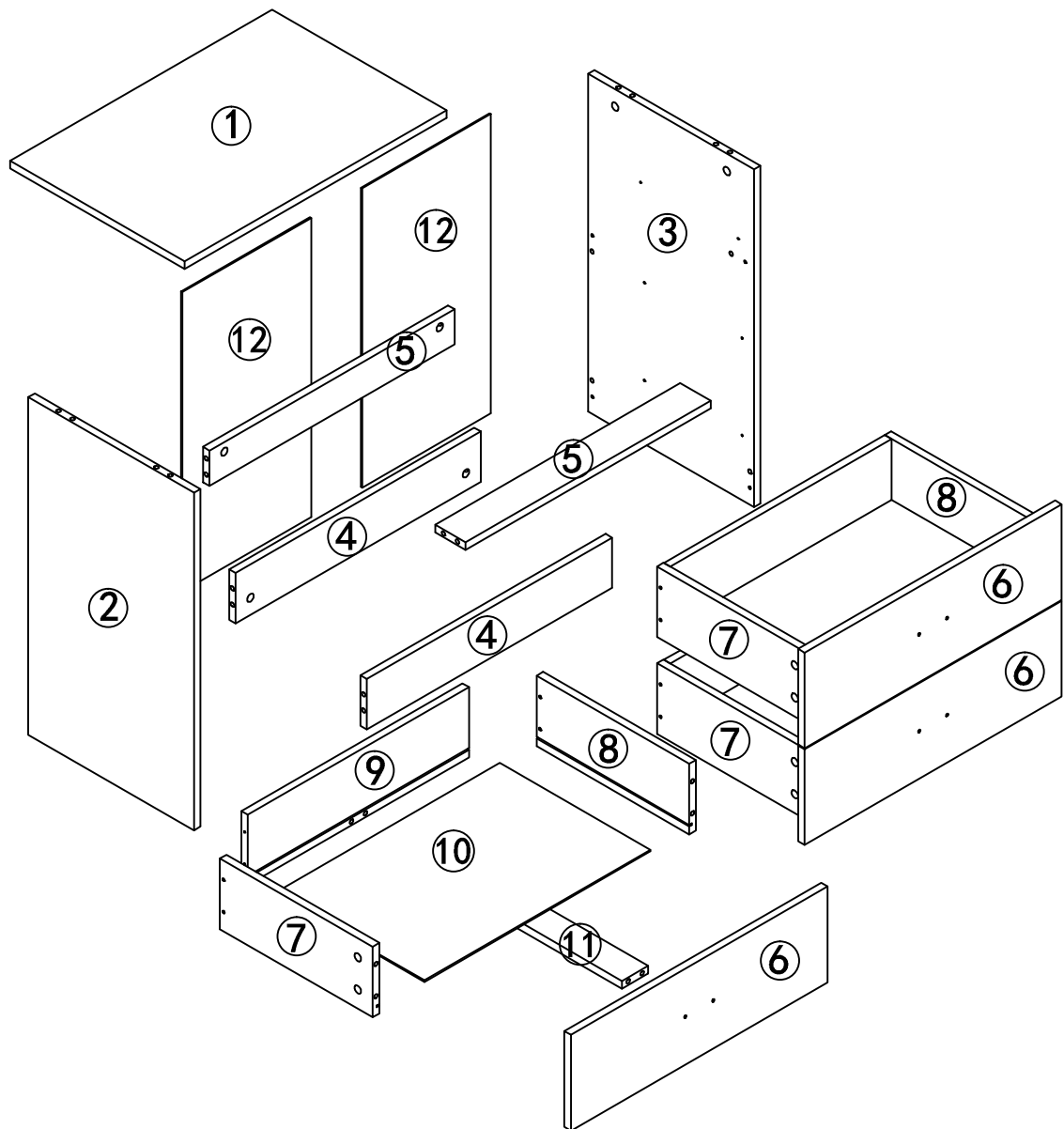


CARE and MAINTENANCE

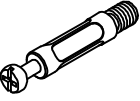
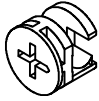
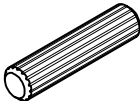

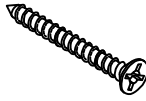





- Only clean using a damp cloth and mild detergent, do not use bleach or abrasive cleaners.
- From time to time check that there are no loose screws on this unit.
- This product should not be discarded with household waste. Take to your local authority waste disposal center.

General Hints & Tips





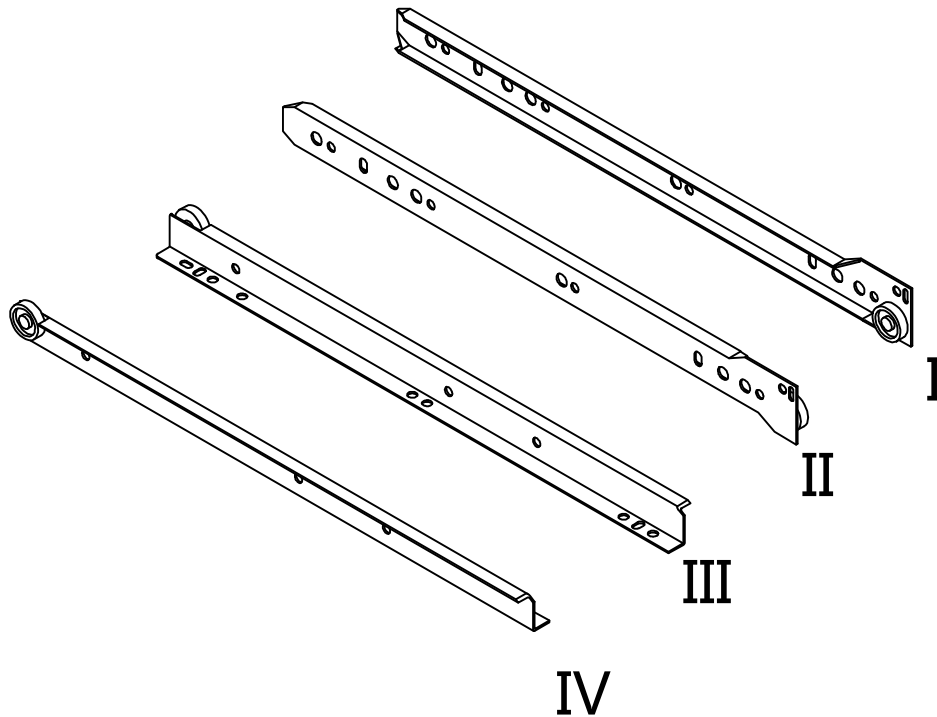
HARDWARE LIST

<p>A=24</p>  <p>Peg M6*34mm</p>	<p>B=24</p>  <p>Lock M15*12mm</p>	<p>C=24</p>  <p>Dowel M8*30mm</p>	<p>D=3</p>  <p>Handles</p>	<p>E=12</p>  <p>Screw M4*38mm</p>	<p>F=24</p>  <p>Screw M3.5*14mm</p>
<p>G=12</p>  <p>Pin</p>	<p>H=4</p>  <p>Plastic Feet</p>	<p>J=3</p>  <p>Drawer Runner</p>	<p>I=3</p>  <p>Screw M4*18</p>		

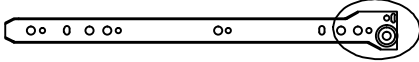
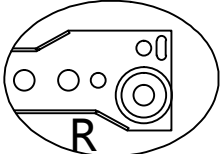
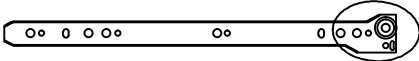
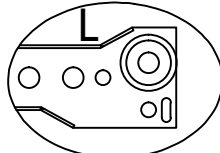
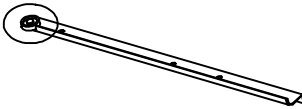
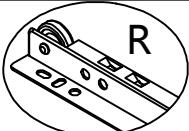
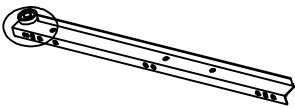
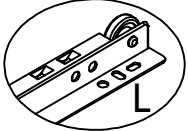
Drawer Runner Instruction

IMPORTANT - Please Read It Carefully.

NOTE: 1 PAIR DRAWER RUNNER INCLUDES 4 PIECES.




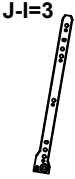


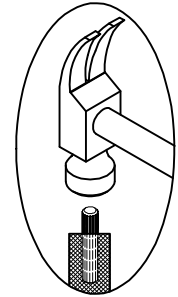
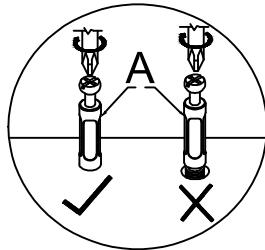
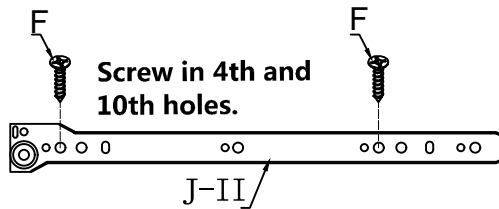
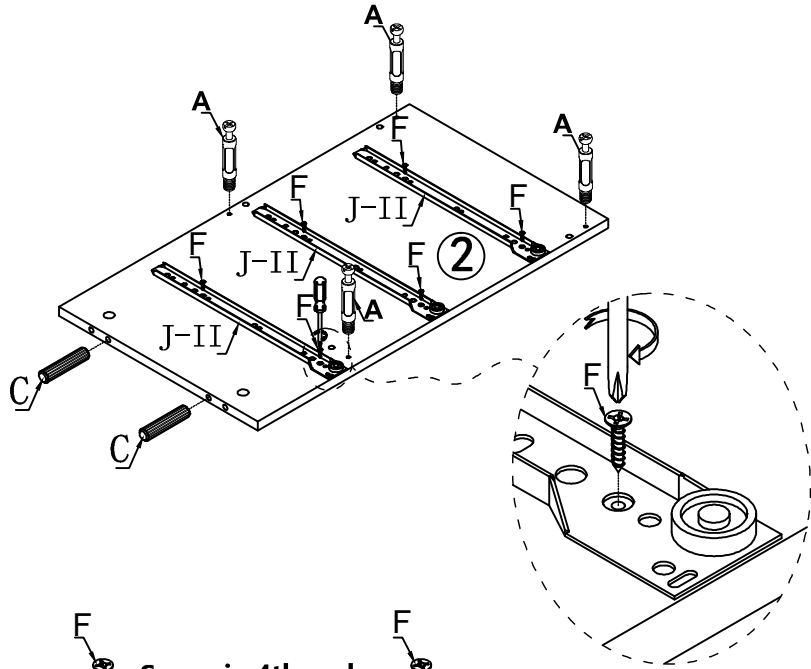
Fittings (not to scale)

NO.	DESCRIPTION	QTY		
I	Outer Drawer Runner - Right	3PCS		
II	Outer Drawer Runner - Left	3PCS		
III	Inner Drawer Runner - Right	3PCS		
IV	Inner Drawer Runner - Left	3PCS		




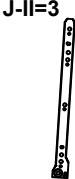
Assembly Instruction

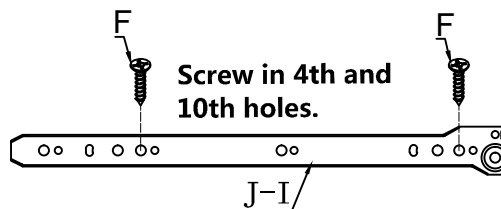
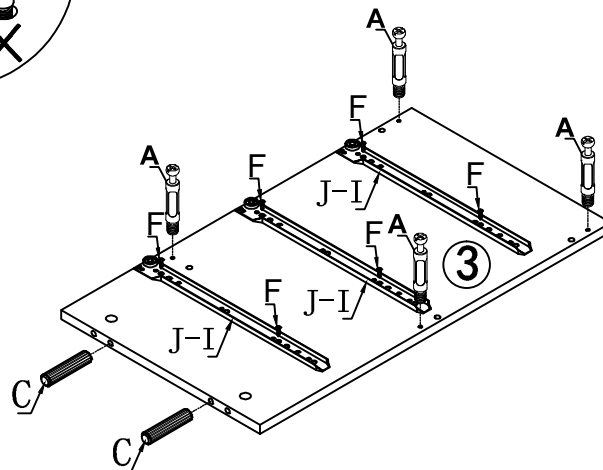
Step 1

A=4	C=2
	
Peg	Dowel
F=6	J-II=3
	
Screw	Drawer Runner



Step 2

A=4	C=2
	
Peg	Dowel
F=6	J-I=3
	
Screw	Drawer Runner

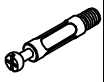


Assembly Instruction

Step 3

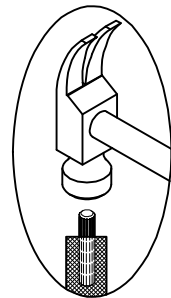
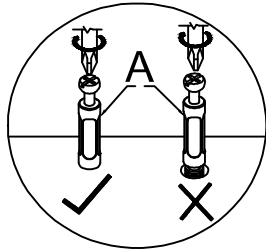
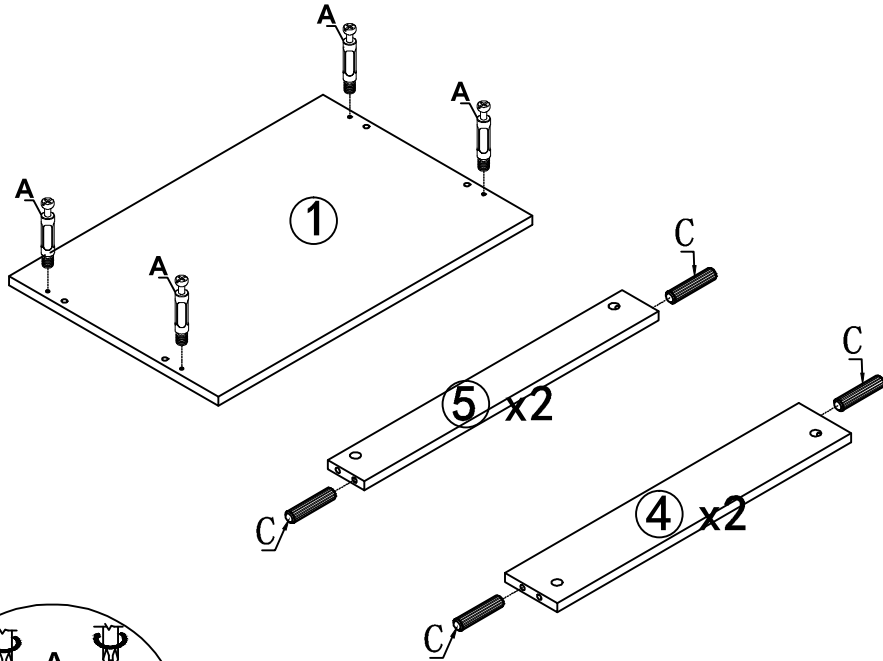
A=4

C=8



Peg

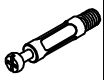
Dowel



Step 4

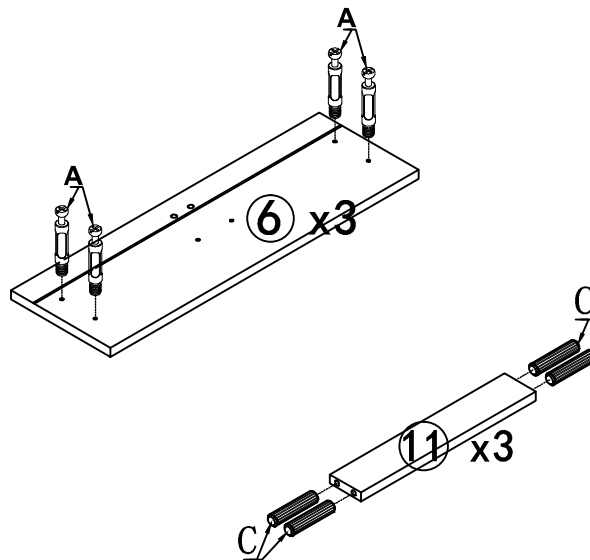
A=12

C=12



Peg

Dowel



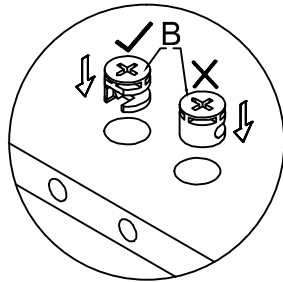
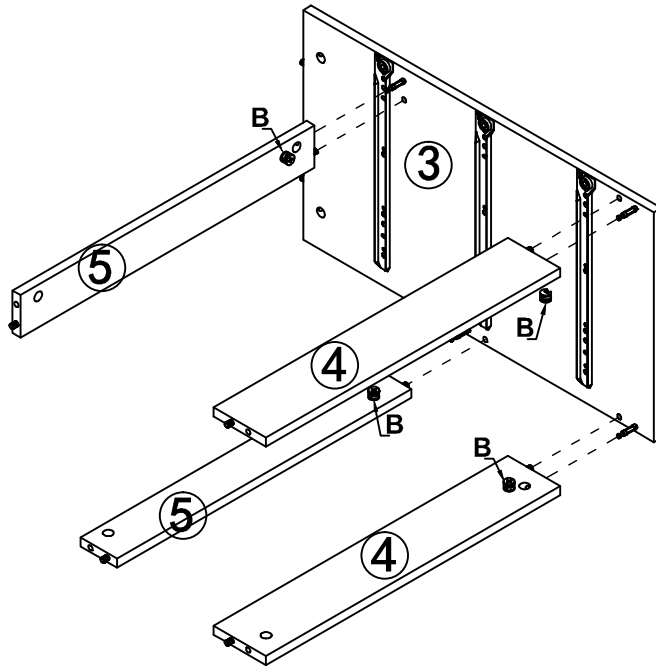
Assembly Instruction

Step 5

B=4



Lock
M15*12

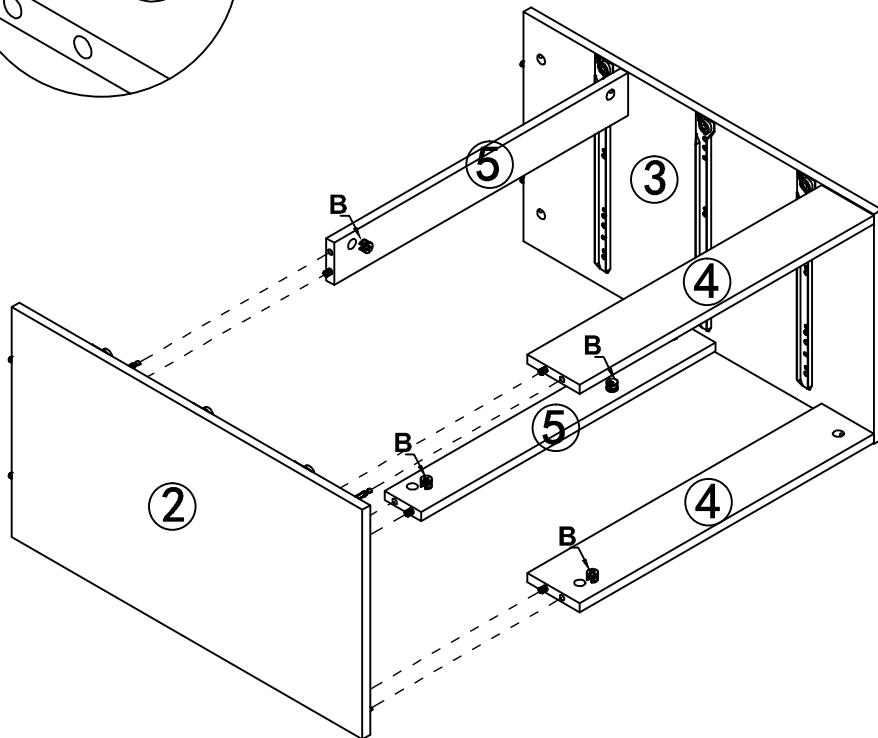


Step 6

B=4



Lock
M15*12



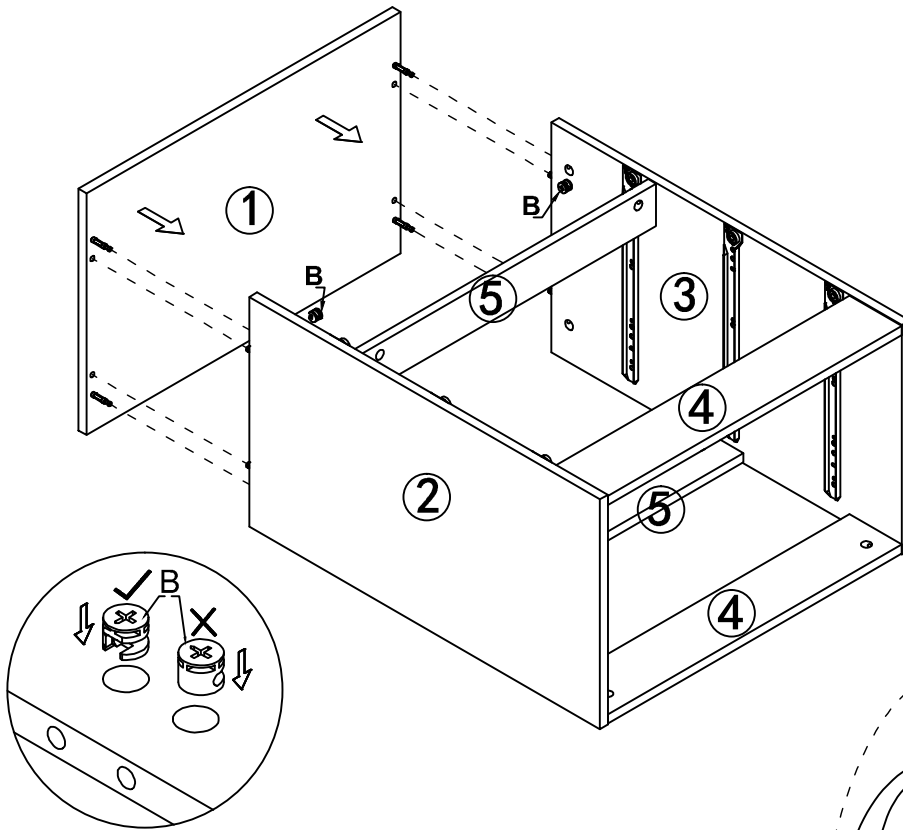
Assembly Instruction

Step 7

B=4



Lock
M15*12



Step 8

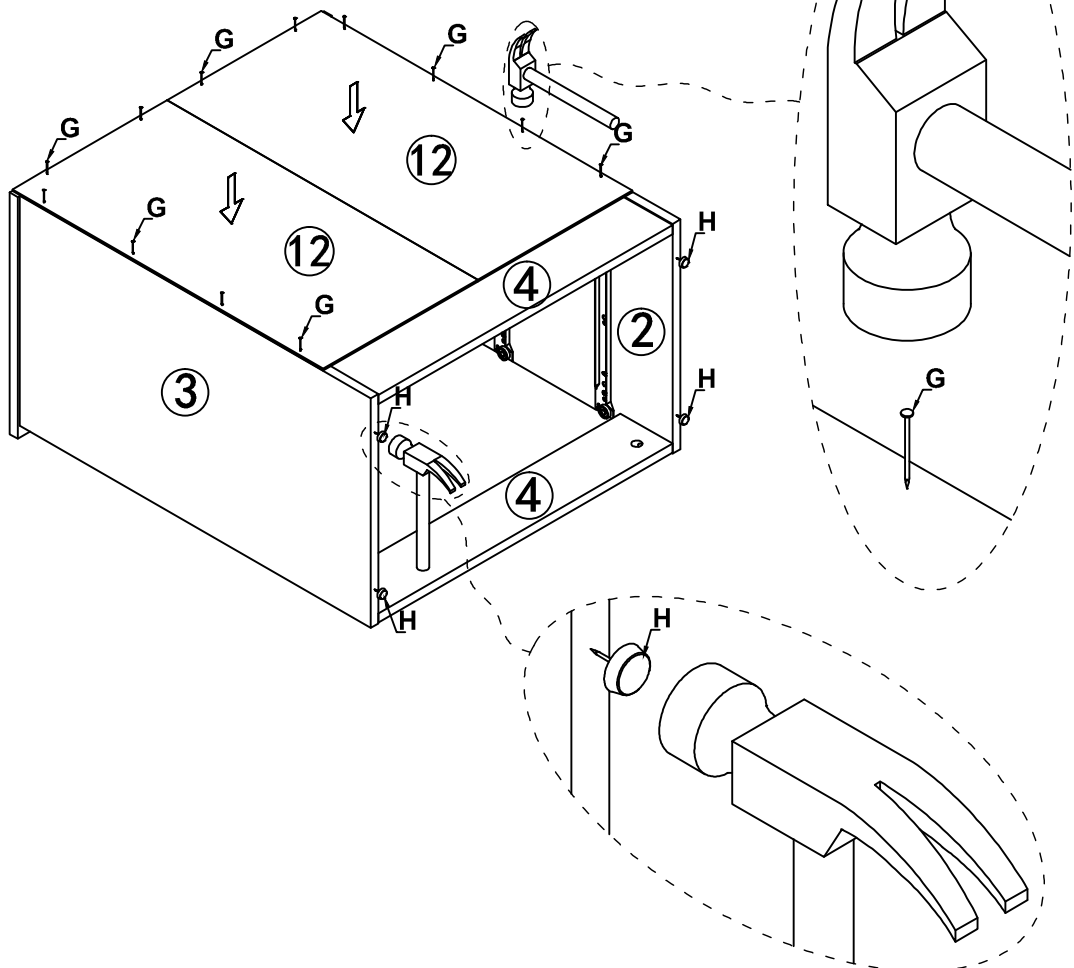
G=12

H=4



Pin

Plastic
Foot



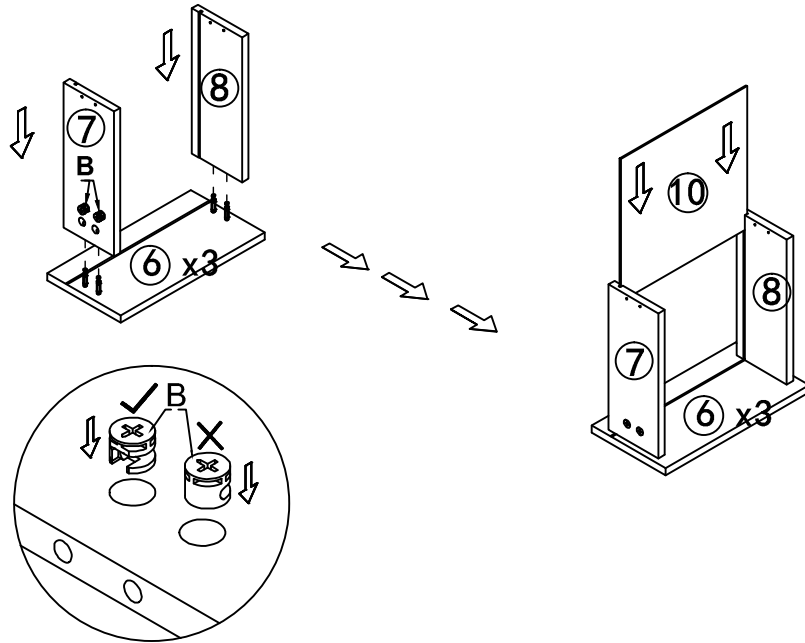
Assembly Instruction

Step 9

B=12



Lock
M15*12



Step 10

D=3

I=3

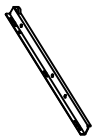


Handles

Screw
M4*18

J-III=3

J-IV=3



Drawer
Runner

Drawer
Runner

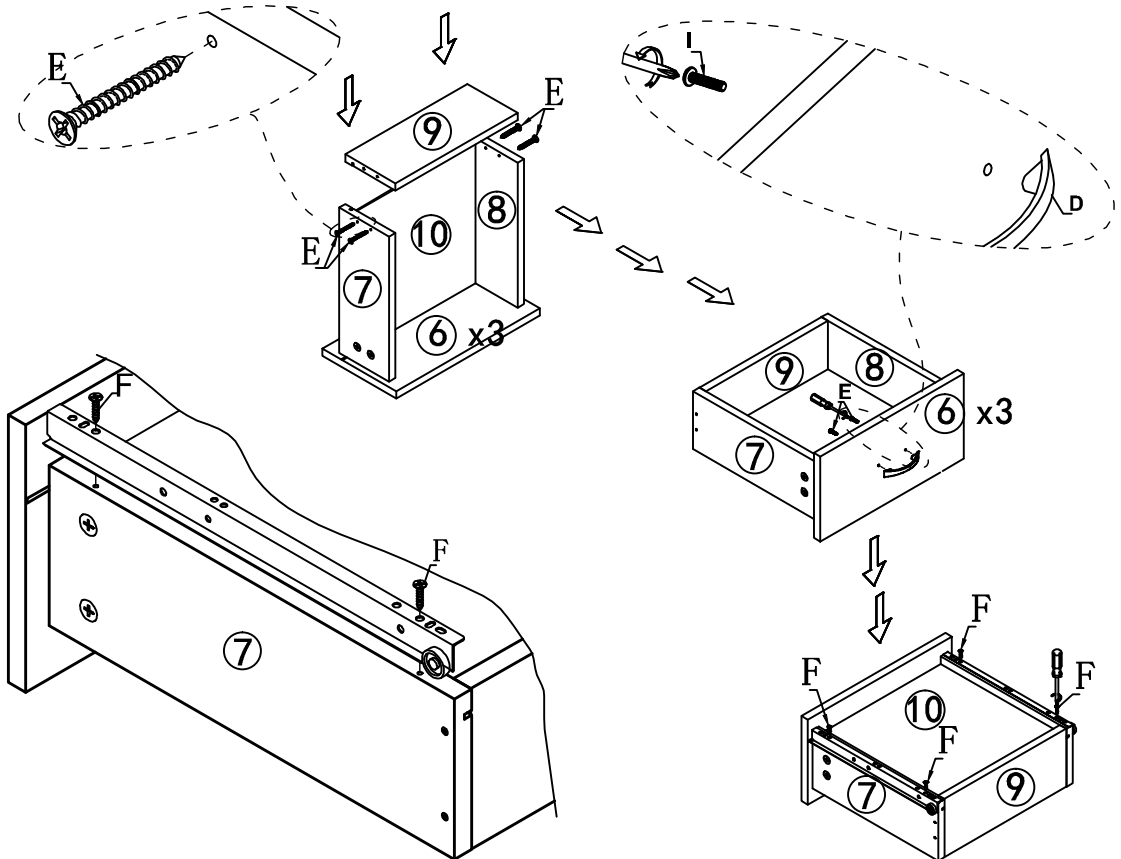
E=12

F=12



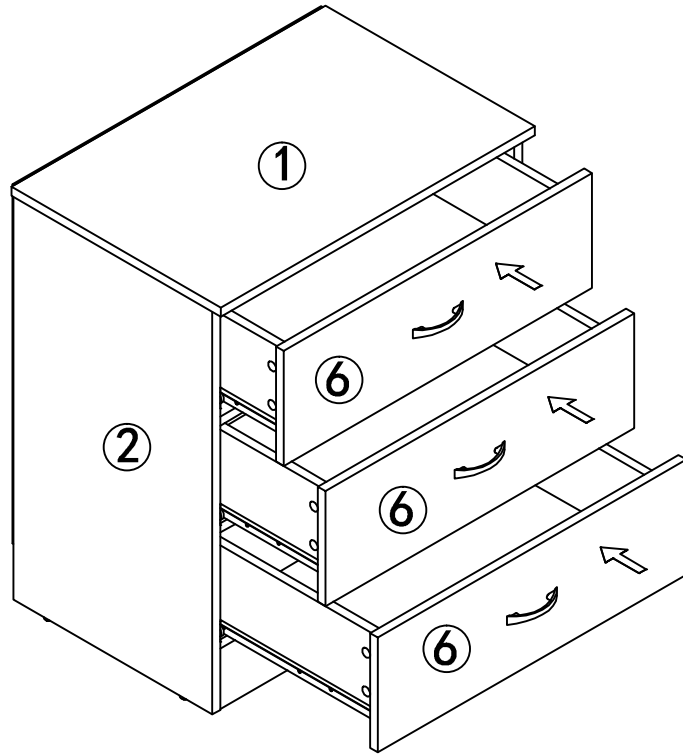
Screw
M4*38

Screw

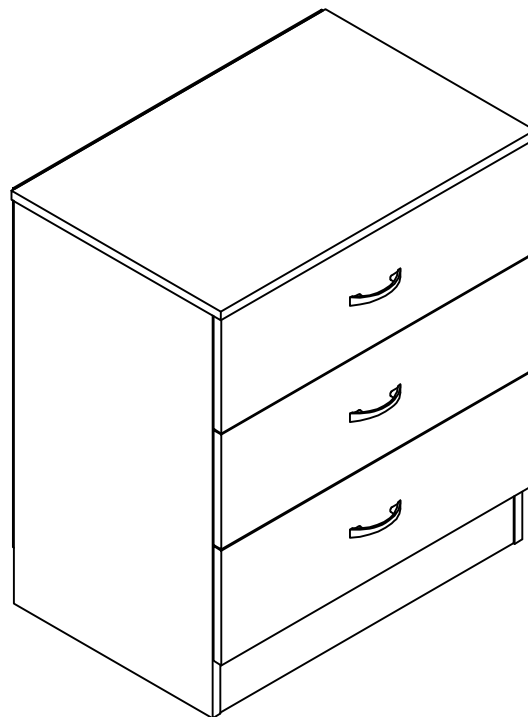


Assembly Instruction

Step 11



Step 12



OK