

# ASSEMBLY INSTRUCTION

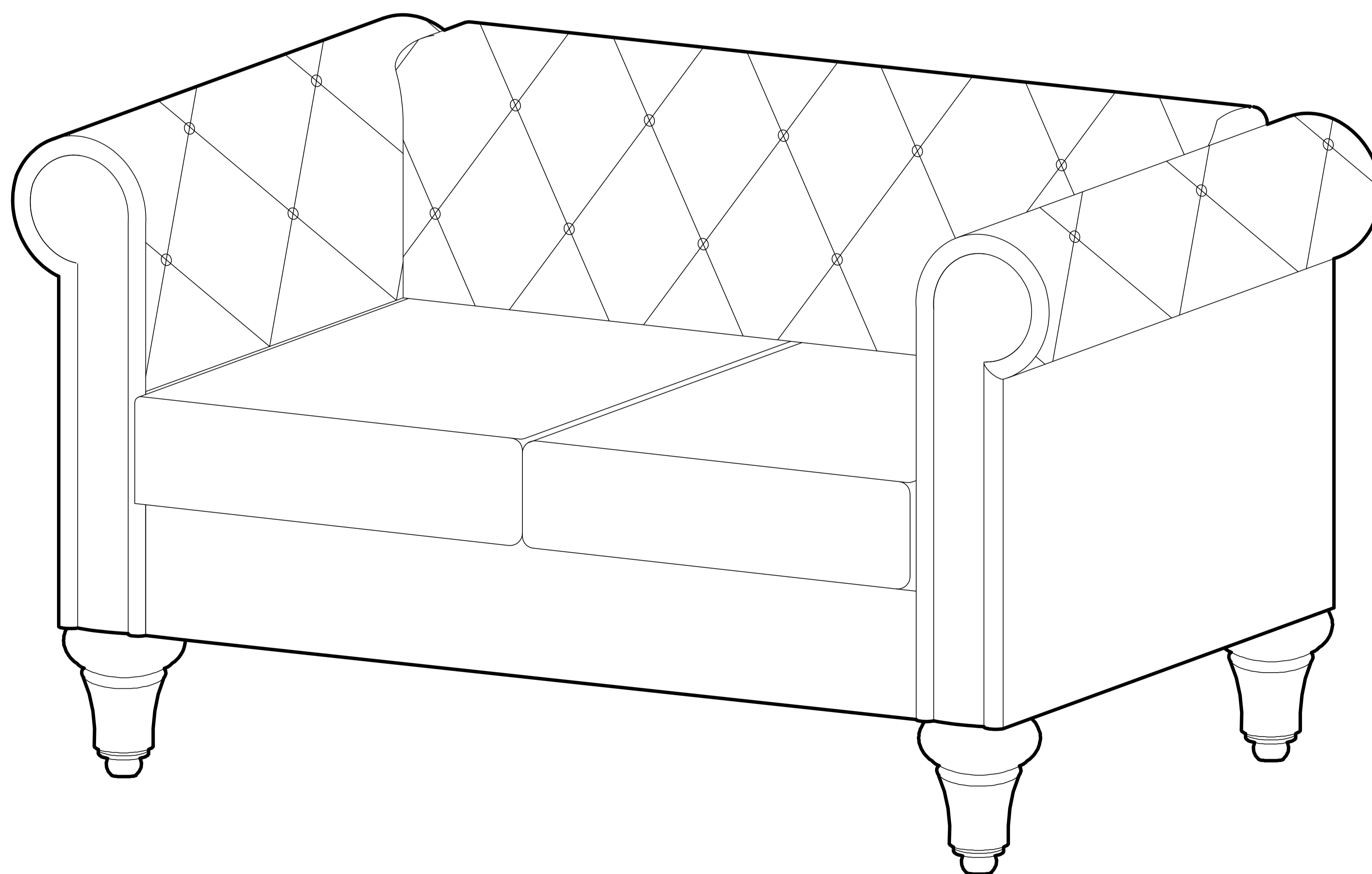
## IMPORTANT NOTE:

\*\* PLACE ALL PARTS ON A CLEAN AND SMOOTH SURFACE SUCH AS A RUG OR CARPET TO AVOID THE PARTS FROM BEING SCRATCHED.

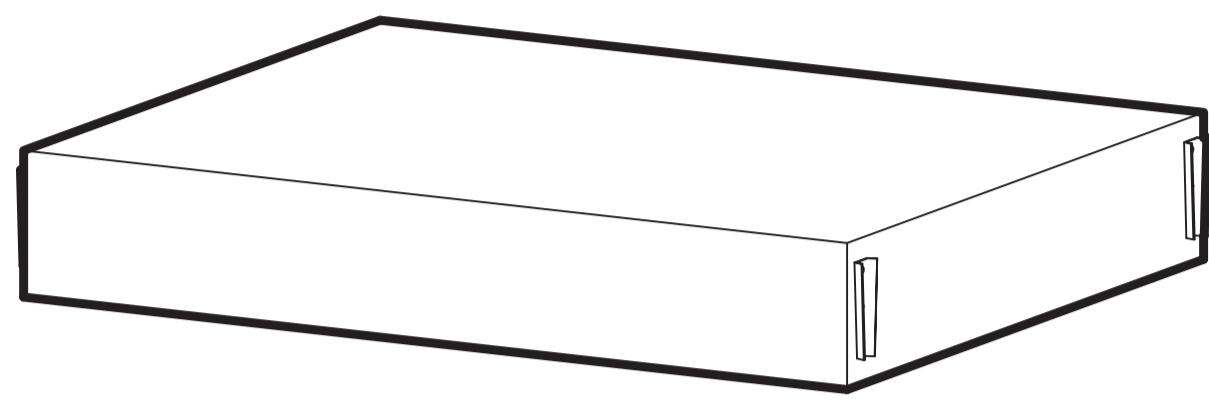
\*\* BEFORE YOU BEGIN , KINDLY FOLLOW THE ASSEMBLY INSTRUCTIONS STEP BY STEP.

\*\* DO NOT TIGHTEN ALL SCREWS UNTIL THE LOVESEAT IS FULLY SET-UP.

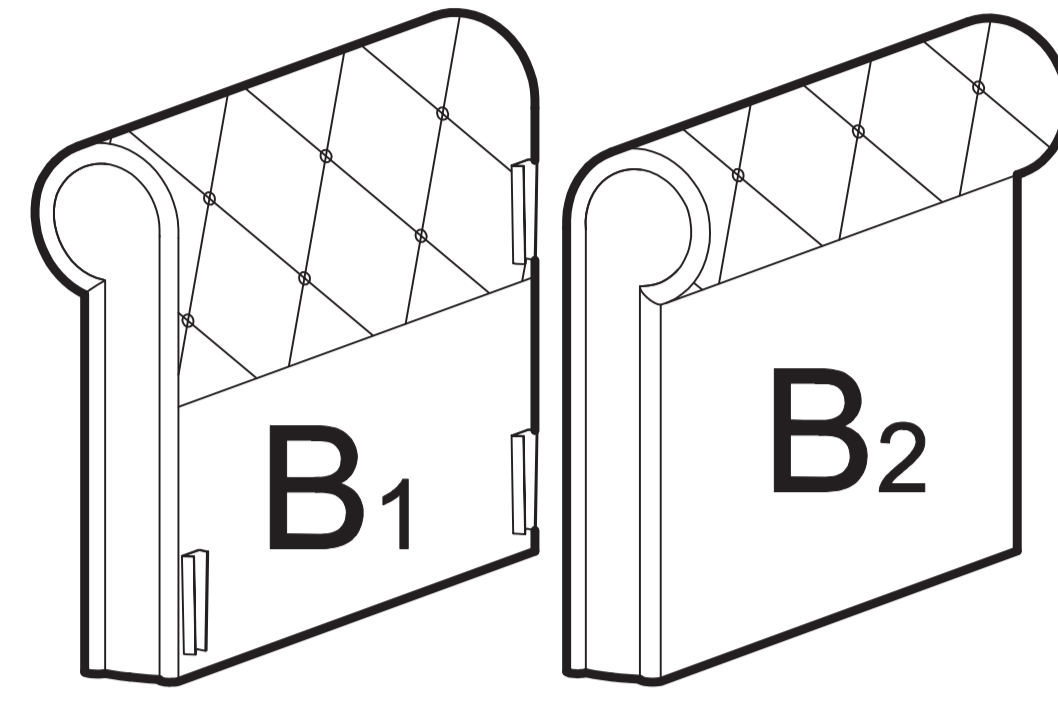
## LOVESEAT



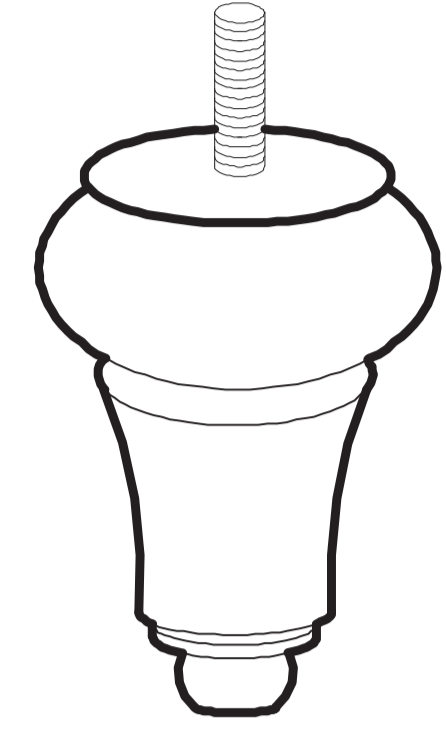
# PARTS AND HARDWARE



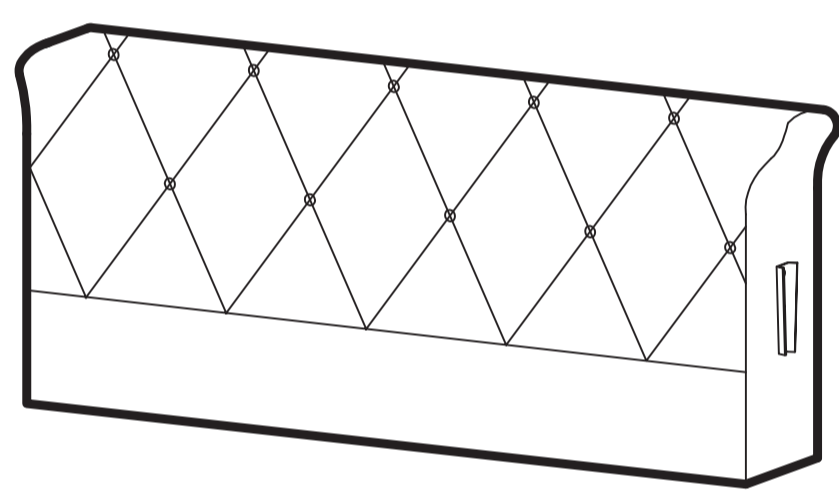
**A** : LOVESEAT BODY 1 PC



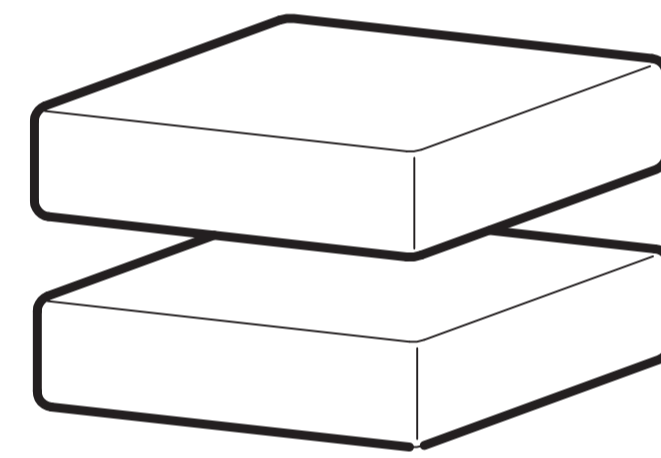
**B** : ARMREST 2 PCS



**C** : LEG 4 PCS

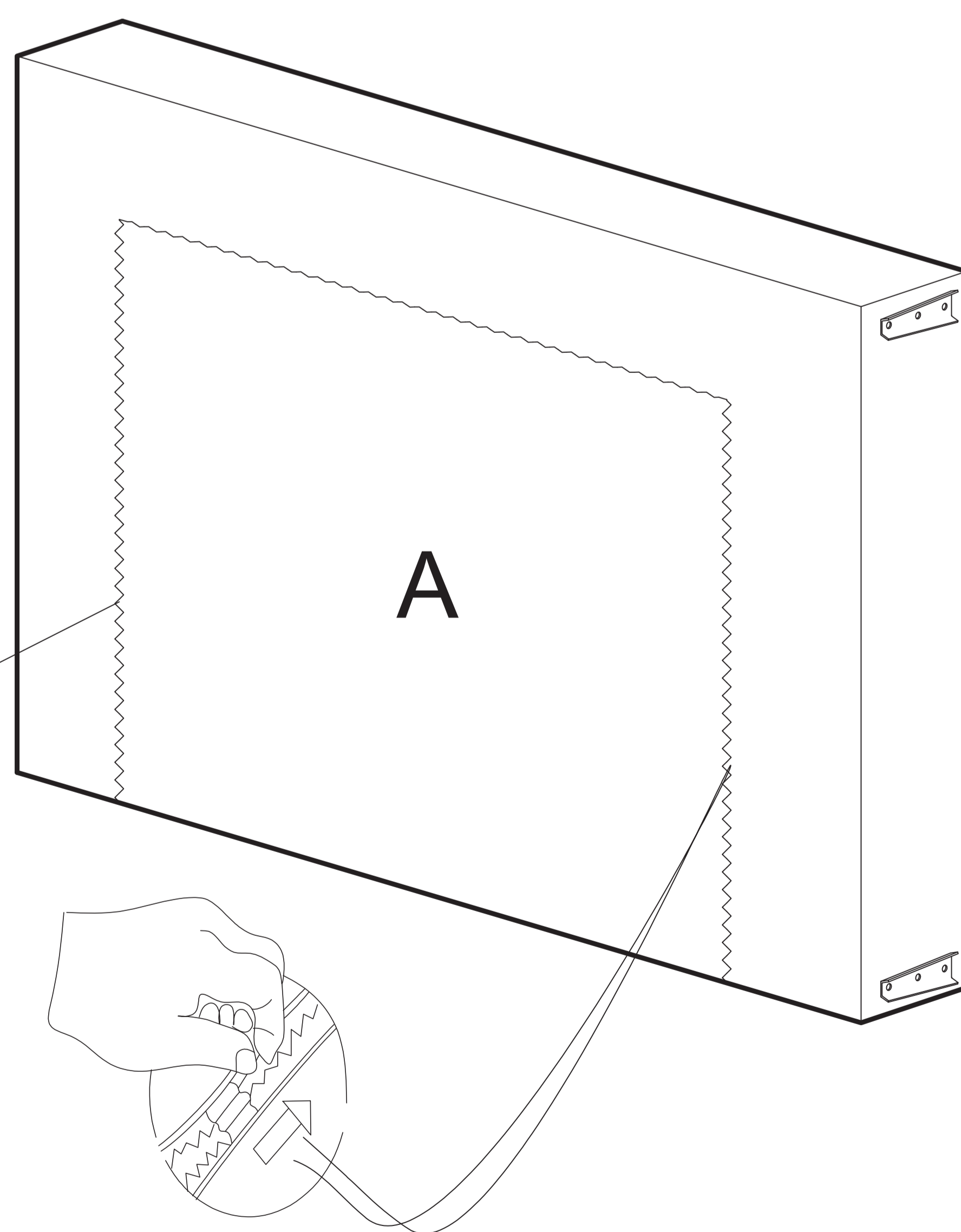


**D** : BACKREST 1 PC



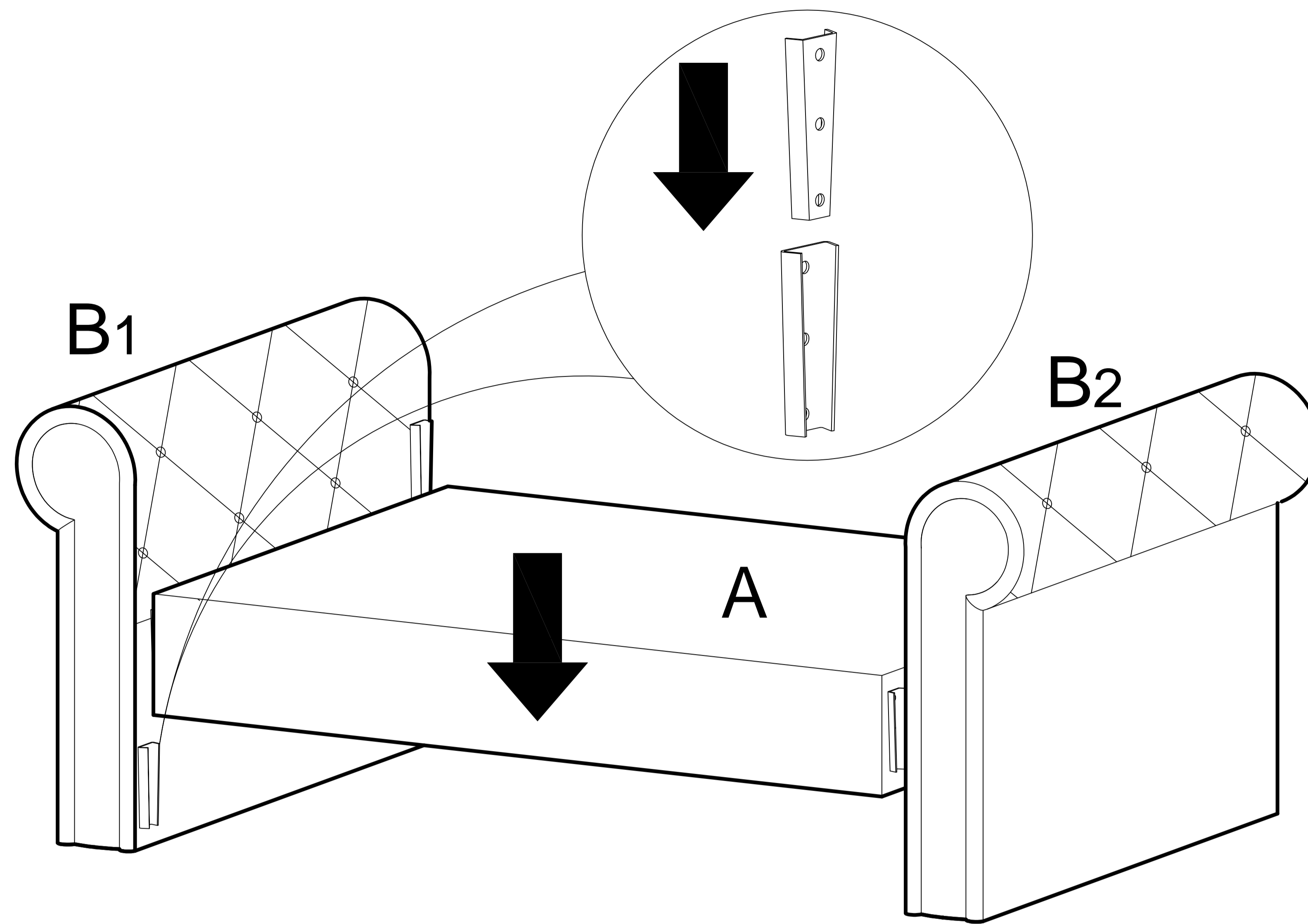
**E** : SEAT CUSHION 2 PCS

LEG(C) AND SEAT  
CUSHTION(E)  
INSIDE



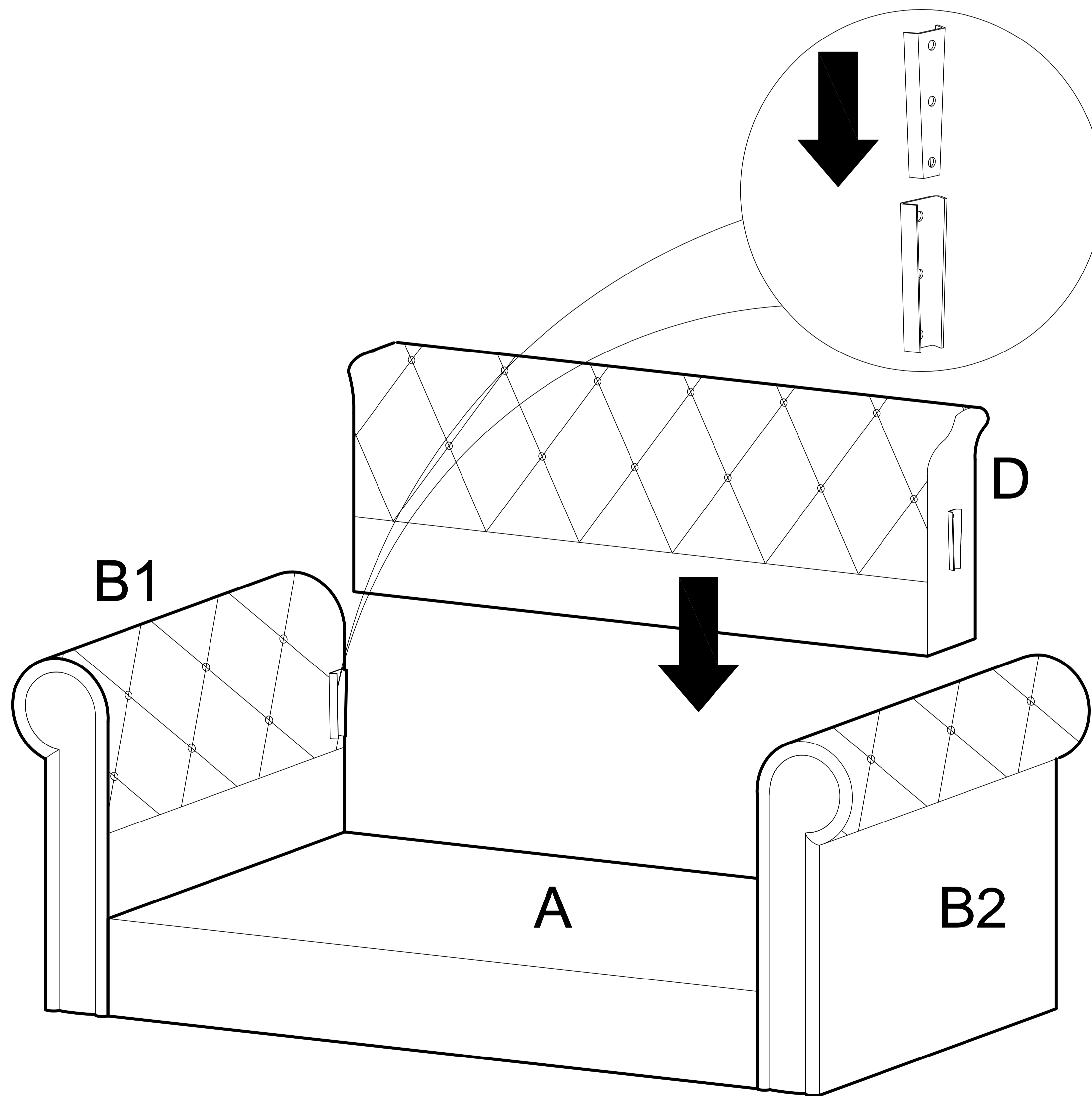
CAREFULLY UNPACK AND PLACE LOVESEAT BODY UNIT UPRIGHT ON A CLEAN FLAT SURFACE TO SHOW THE BASE AS SHOWN. UNPACK SEAT CUSHION(E) AND LEGS(C) FROM THE ZIPPED STORAGE COMPARTMENT.

# ASSEMBLY INSTRUCTIONS



## STEP1 :

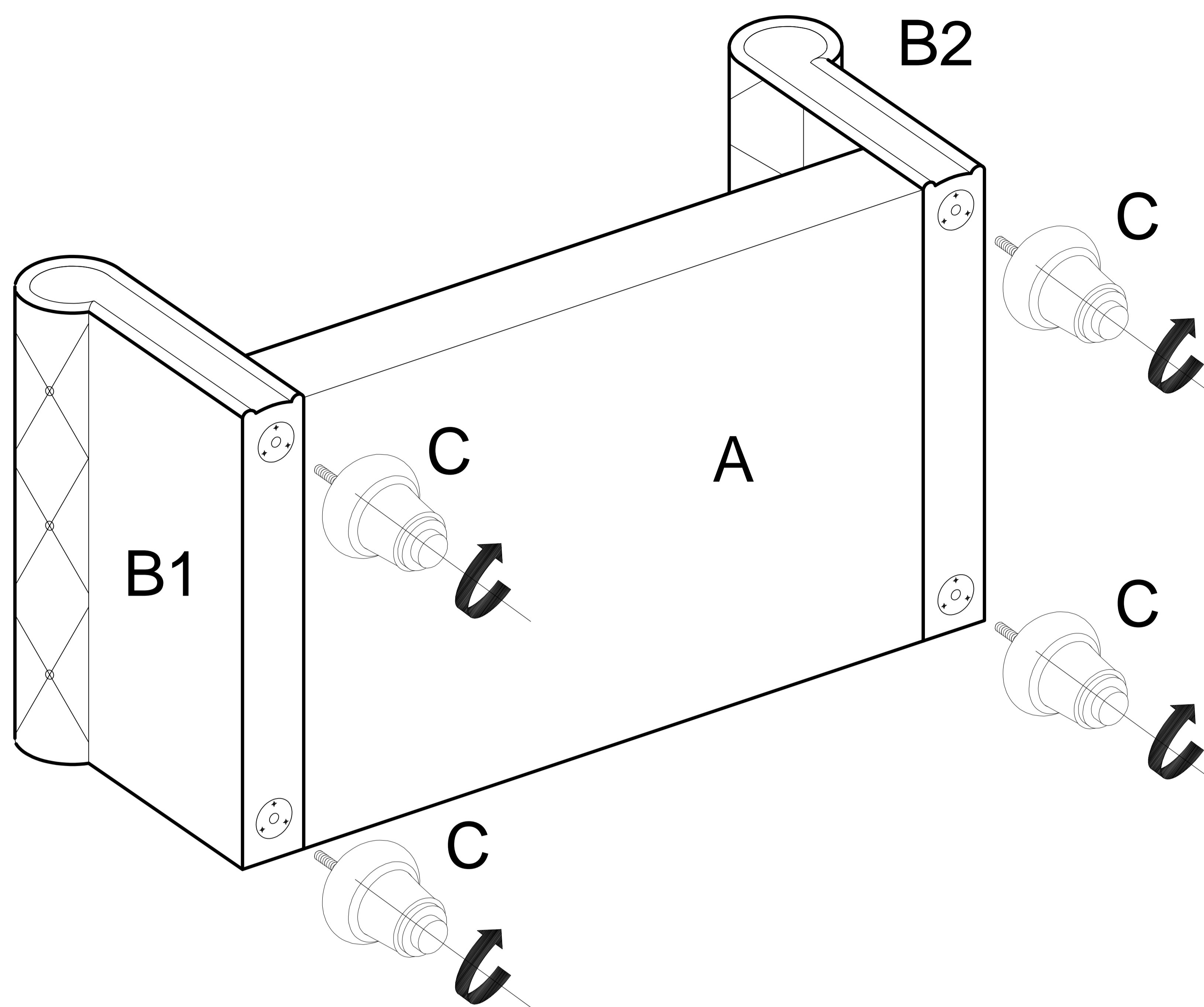
ATTACH THE SEAT FRAME(A) TO THE ARMREST(B1) AND (B2).



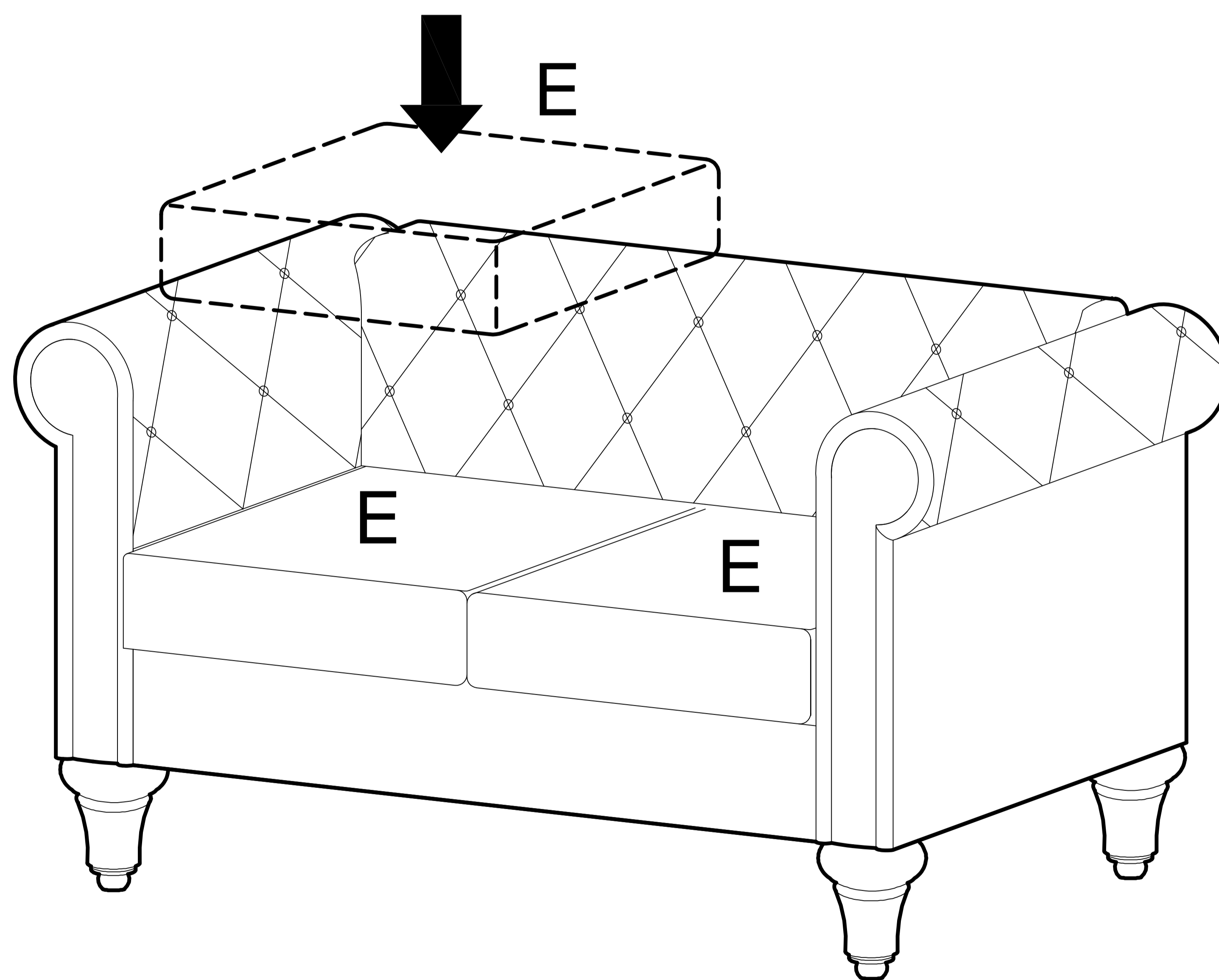
## STEP2 :

ATTACH THE BACKREST(D) TO THE ARMREST(B1) AND (B2).

# ASSEMBLY INSTRUCTIONS



**STEP3:**  
ATTACH THE LEG(C) TO THE ARMREST(B1) AND (B2)..



**STEP4 :**  
PUT THE SEAT CUSHION (E) TO THE LOVESEAT.  
UNTIL NOW IS COMPLETED.