

REGISTER PRODUCT INFO

Thank you for purchasing our product. Please take a moment to register your new purchase at **tsicustomerservice.com** so that you can:

- Order parts
- Download user manuals
- Request product information or assistance

When registering your product, be sure to sign up for our updates to receive important service information and helpful tips. We value your privacy and will never share your personal information with other organizations. The information you submit is used only for providing product related services to you.

If you are unable to register your product, please save your proof of purchase for part replacement.

DEPENDABLE CUSTOMER SERVICE

Questions?

Call our toll-free message centers
24 hours a day, 7 days a week.

Call customer service

Monday – Friday

8:30 am – 5:30 pm EST.

Please have your store receipt,
instruction manual and part number
ready when you call.

**IMPORTANT:
Retain for future reference.
Read carefully.**

PRODUCT DETAILS AND NOTES

Place of purchase:

Date of purchase:

Notes/Remarque/Notas:

SAFETY INFORMATION



Please read and understand this entire manual before attempting to assemble, operate or install the product.

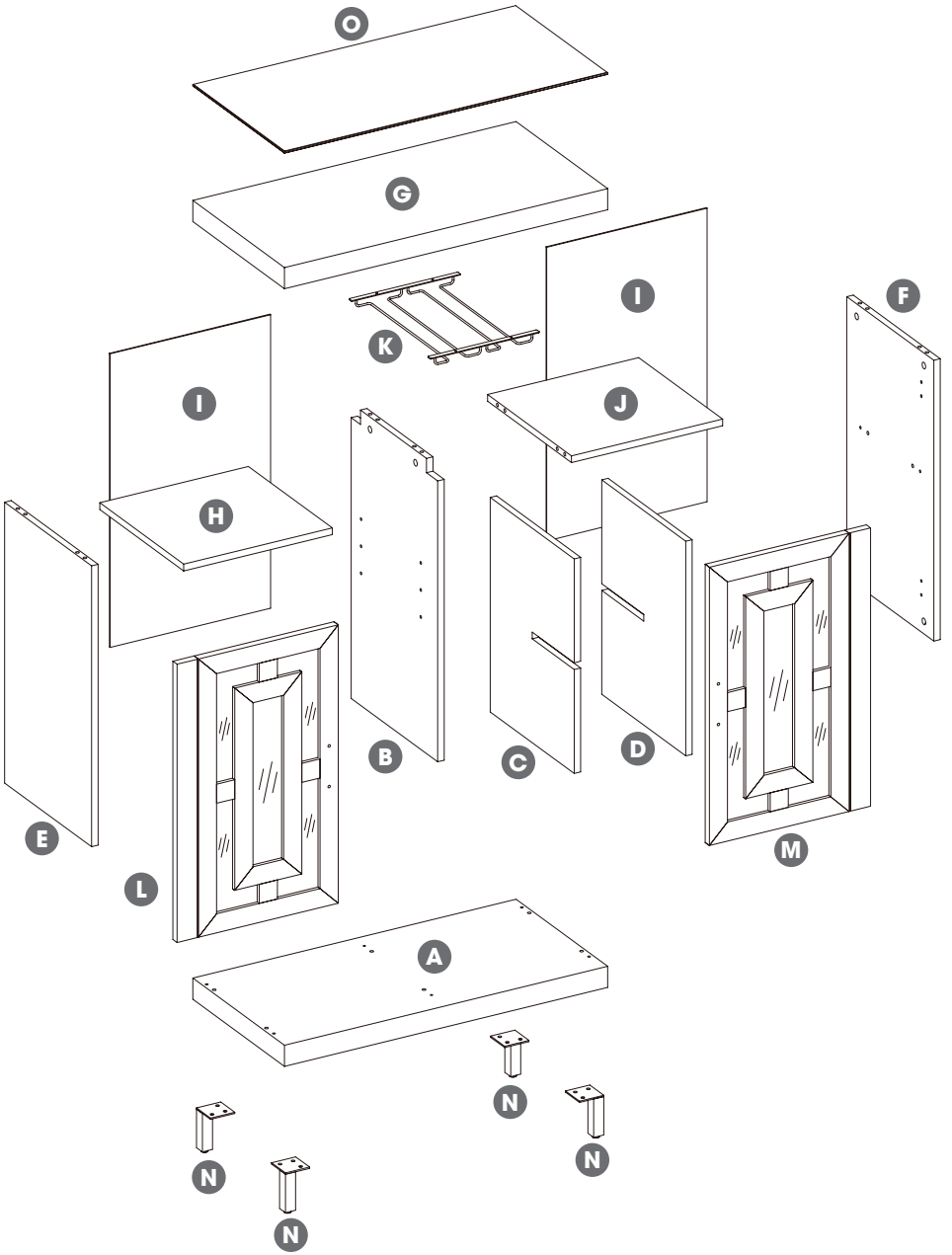


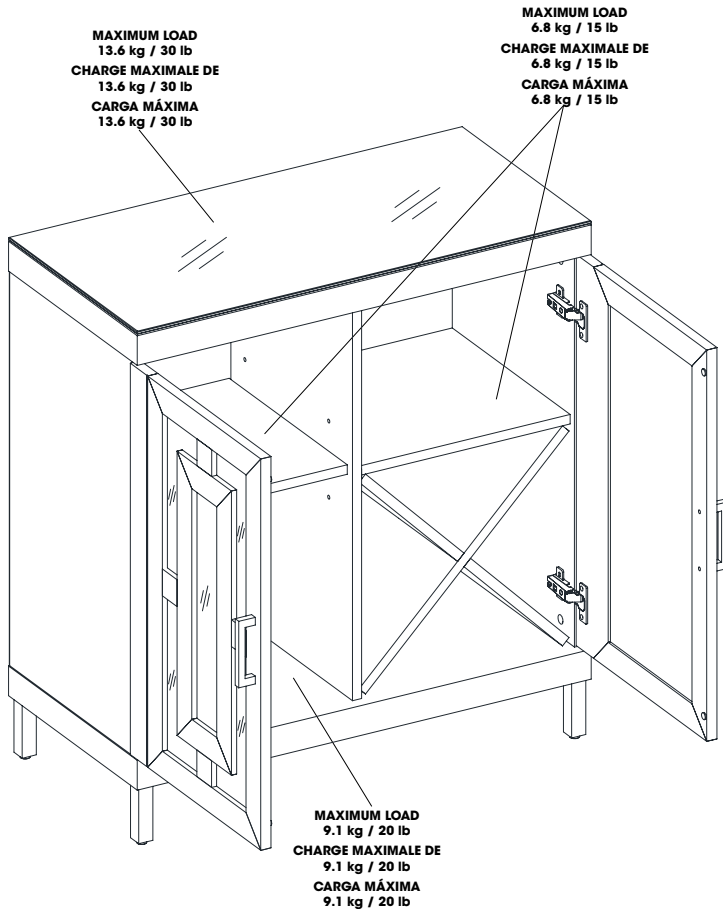
WARNING

- Some steps are more easily handled with two adults.

CAUTION

- Before assembly and/or installation, carefully unwrap all parts.
- Locate and set aside the hardware kit before discarding packaging.
- Use care when assembling your new product. Take your time and follow assembly instructions closely.





WARNING

Loads heavier than the maximum weights specified may result in instability causing tip over resulting in death or serious injury.

HARDWARE

AA

[x14]



BB

[x14]



CC

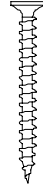
[x16]



Ø8x30mm

DD

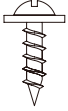
[x2]



Ø4x50mm

EE

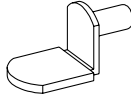
[x22]



Ø3x12mm

FF

[x4]



GG

[x12]



Ø6.2x12mm

HH

[x2]



II

[x8]



Ø6.3x16mm

JJ

[x10]



KK

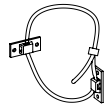
[x4]



Ø3.5x16mm

LL

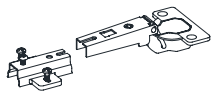
[x2]



HARDWARE

MM

[x4]



NN

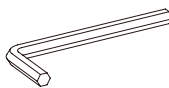
[x6]



Ø12x2mm

OO

[x1]



Wrench

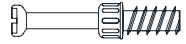
PP

[x4]

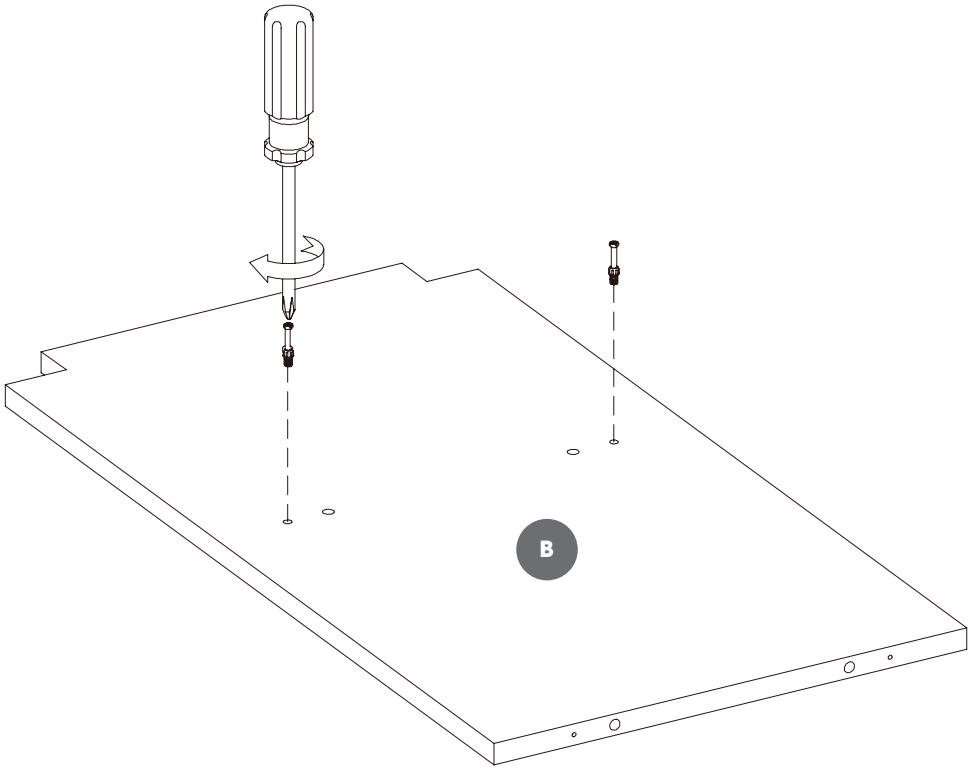


1

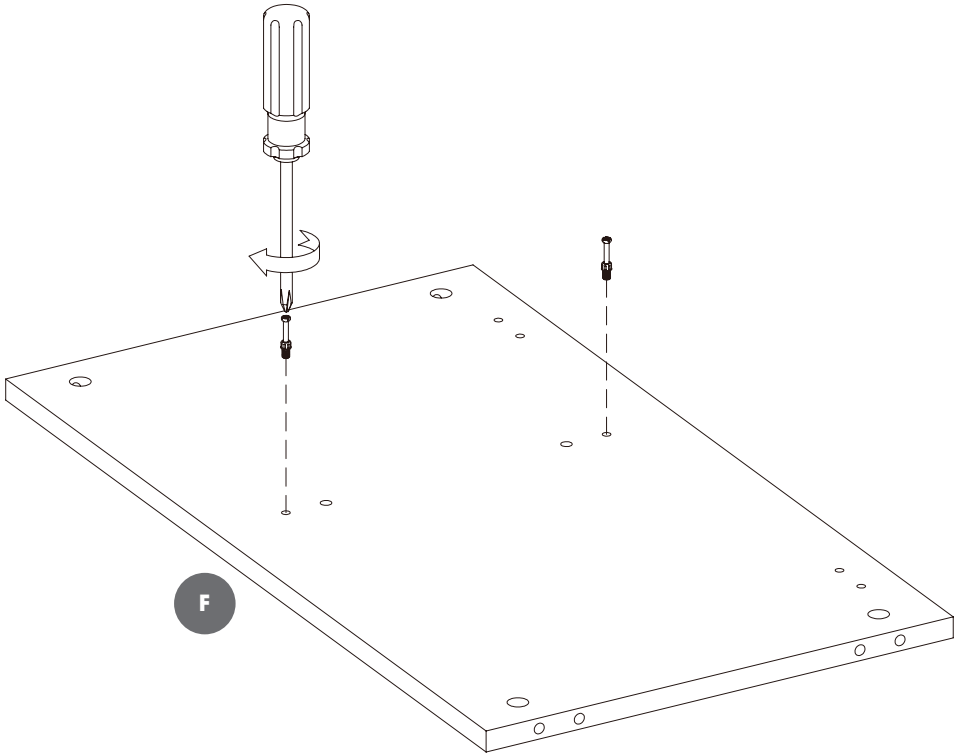
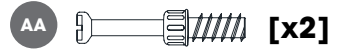
AA



[x2]

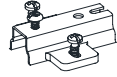


2

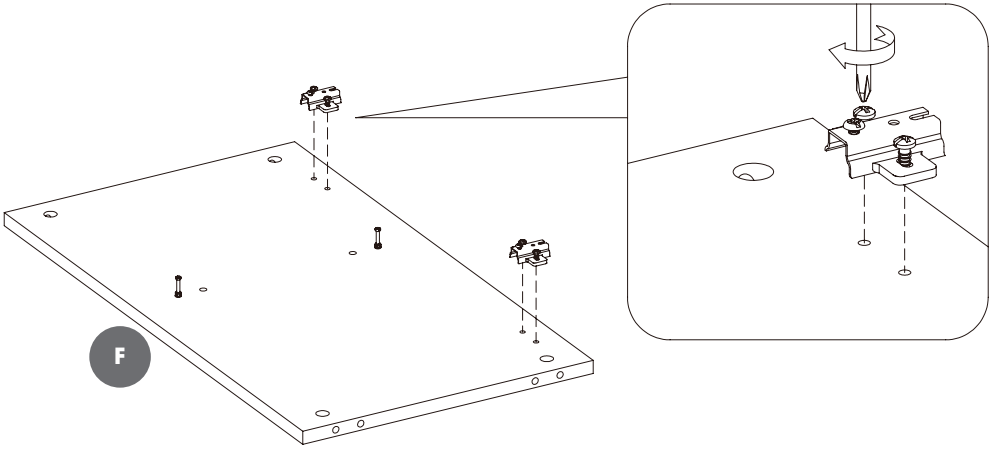


3

MM



[x2]

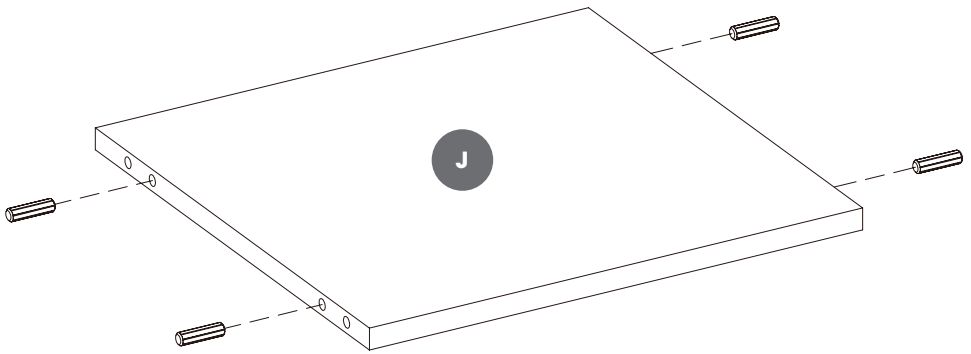


4

CC



[x4]

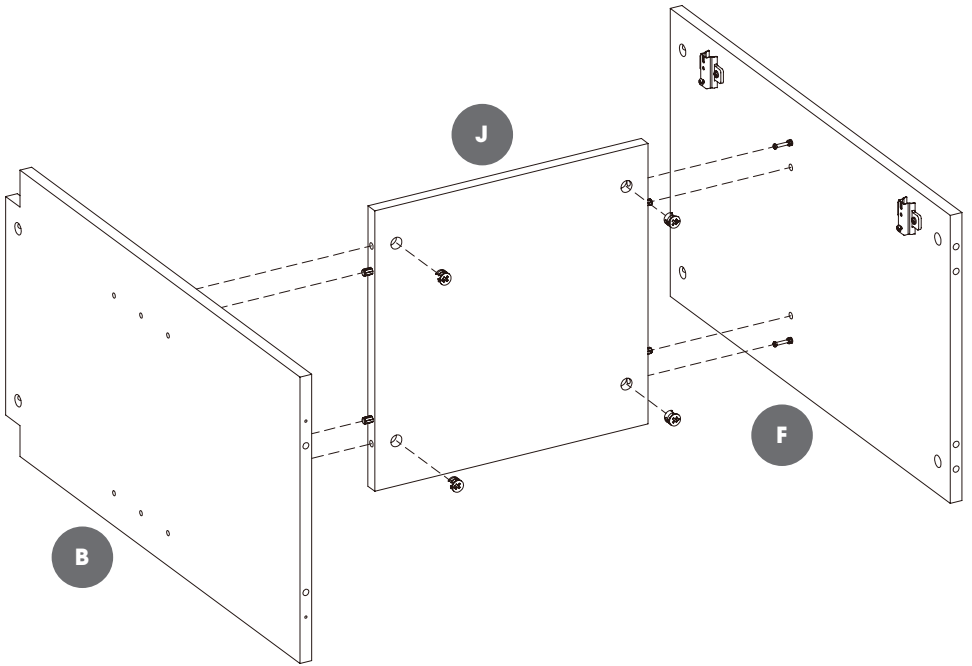
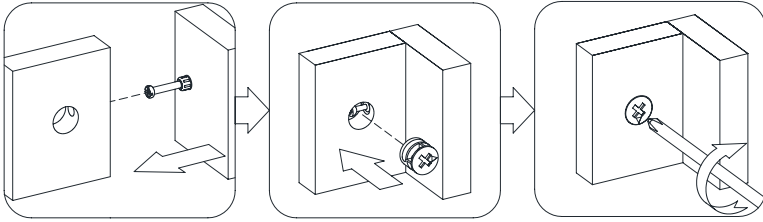


5

BB



[x4]

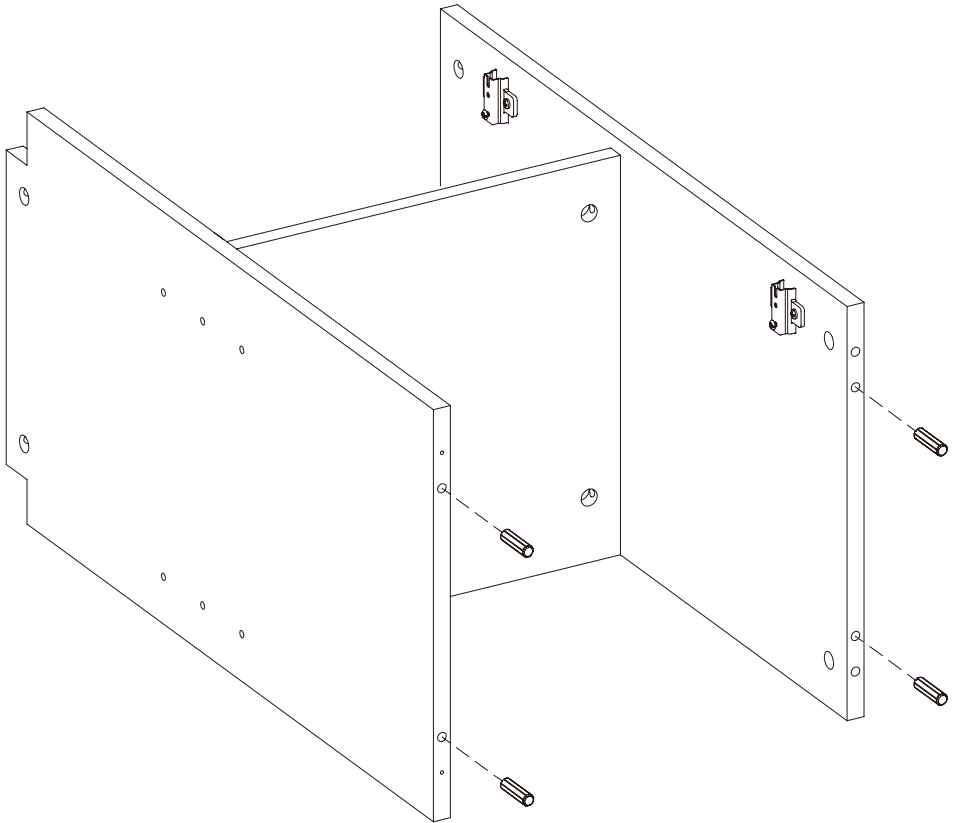


6

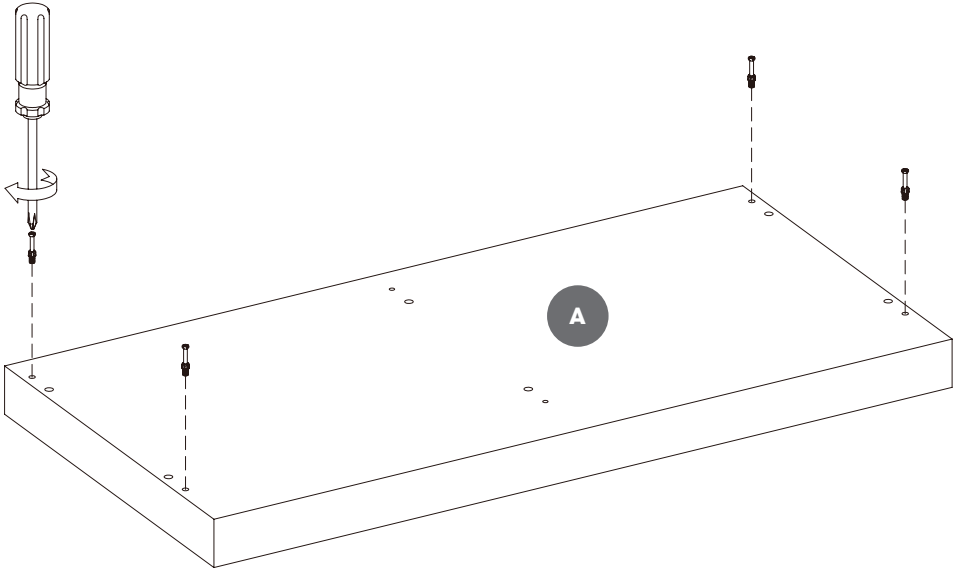
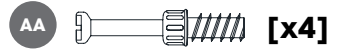
CC



[x4]

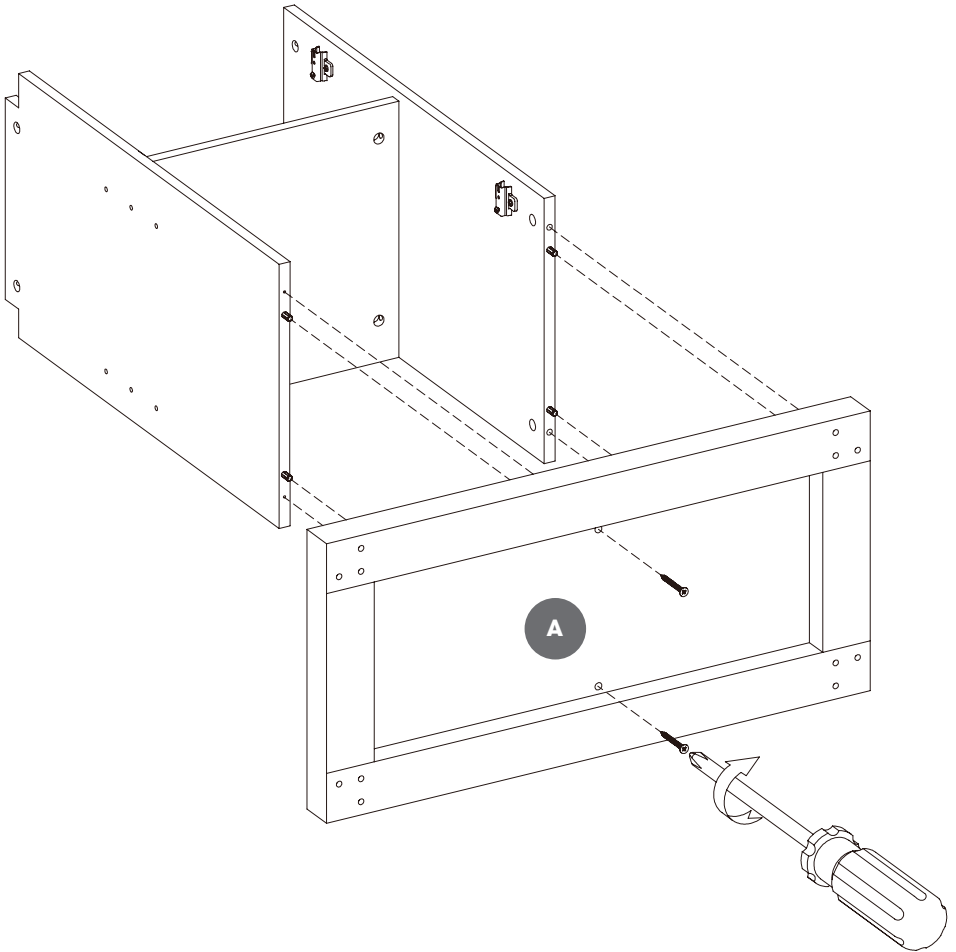


7



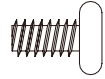
8

DD  [x2]



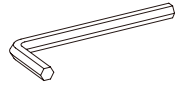
9

GG

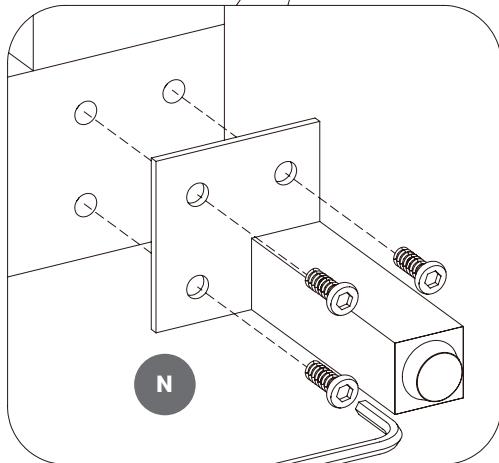
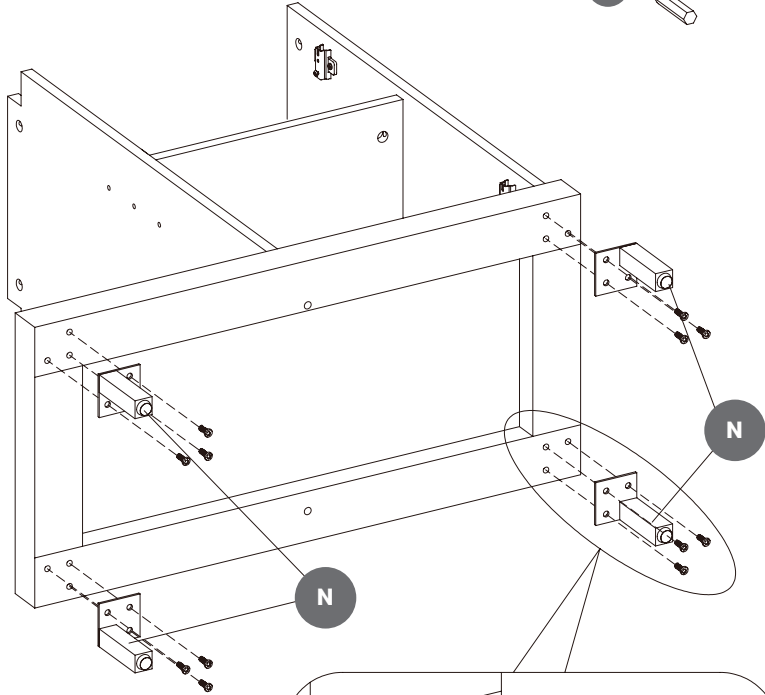


[x12]

OO

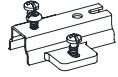


[x1]

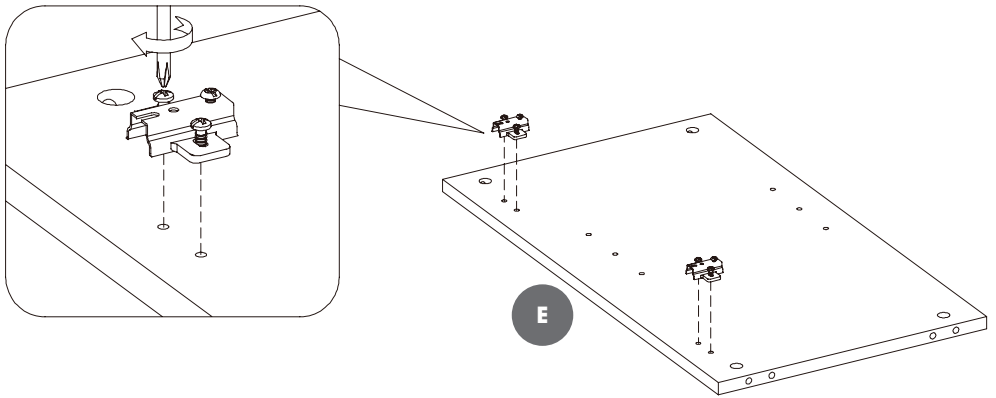


10

MM



[x2]



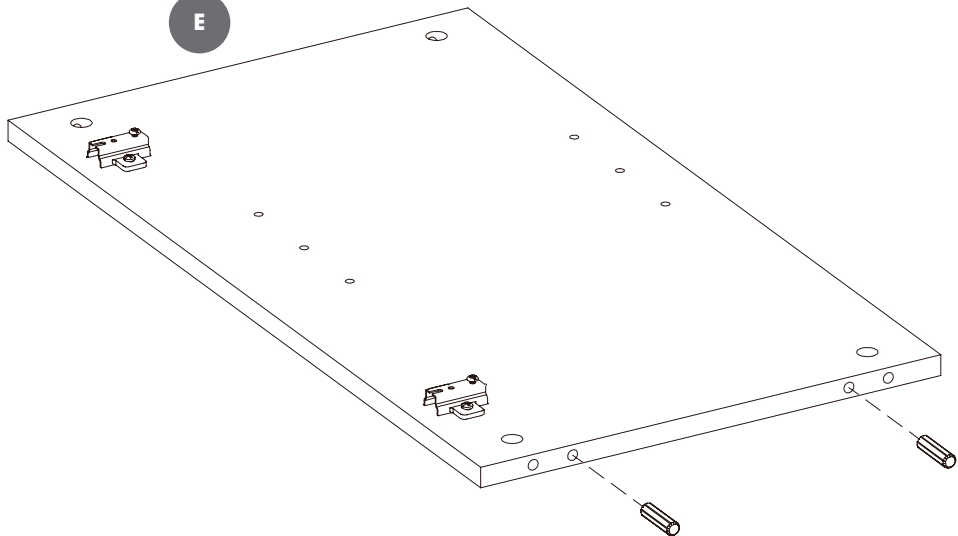
11

CC



[x2]

E

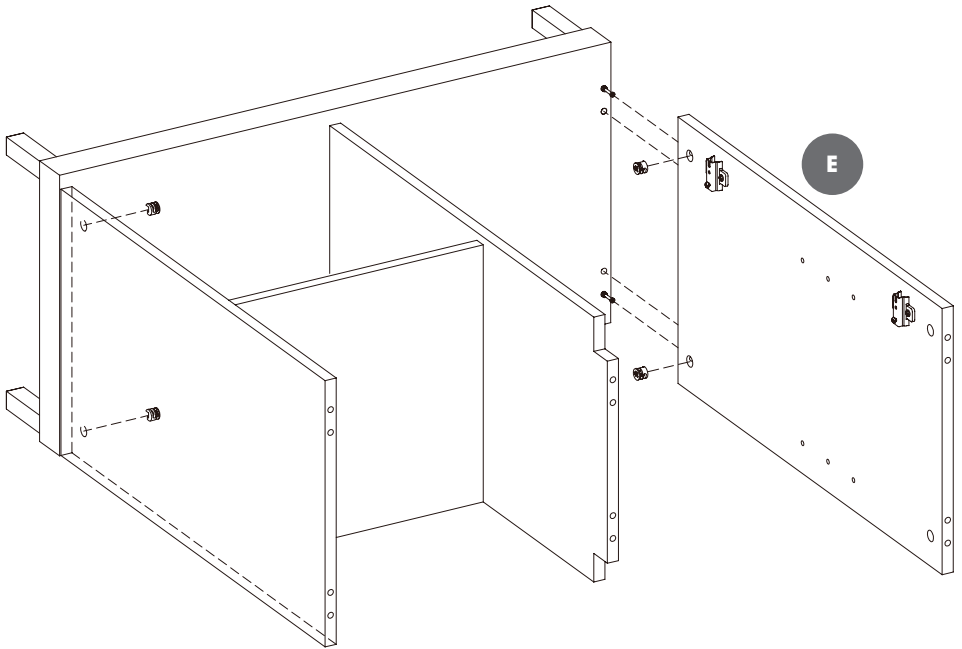
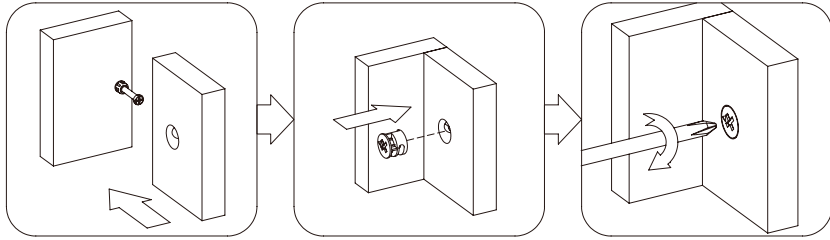


12

BB



[x4]

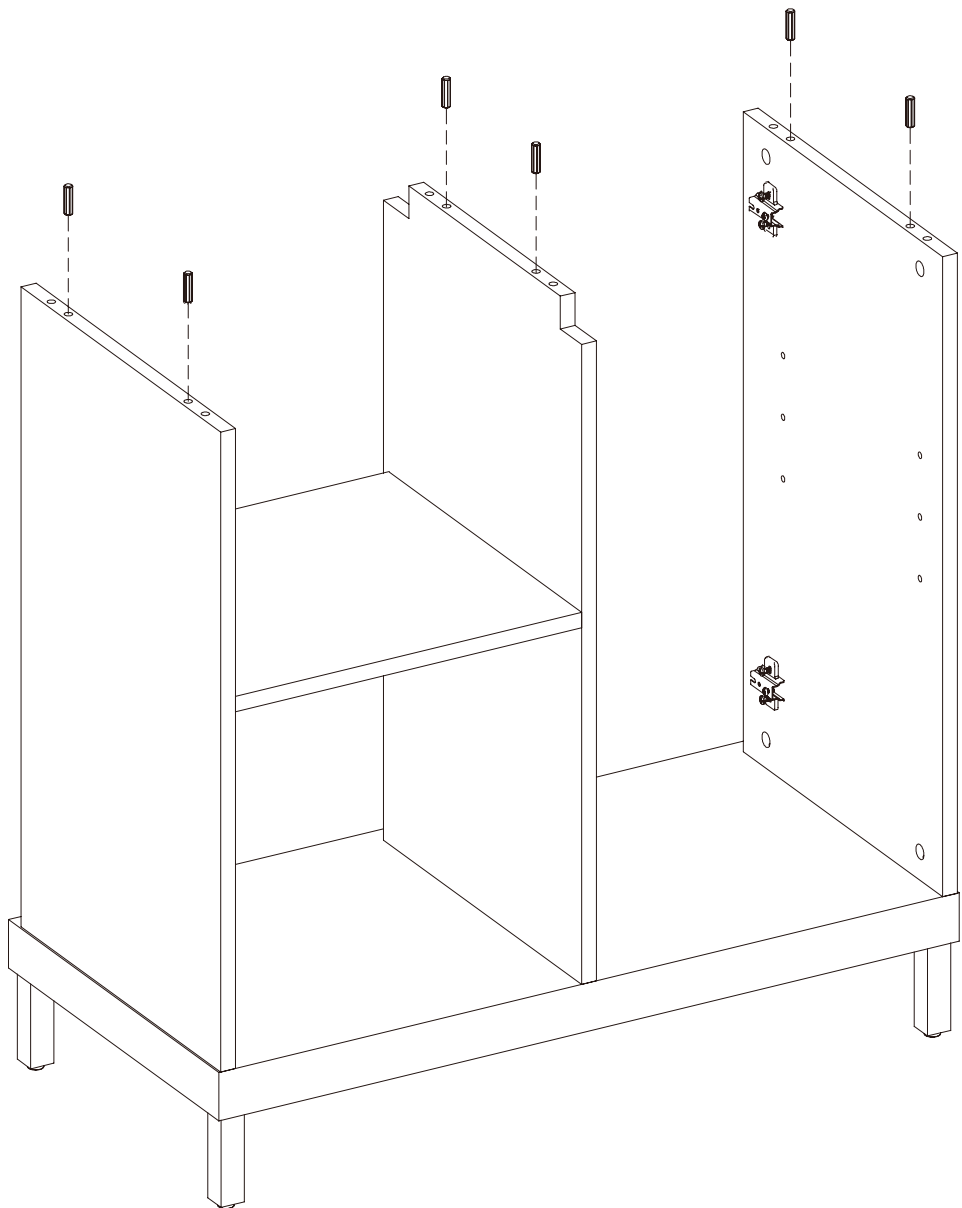


13

CC



[x6]

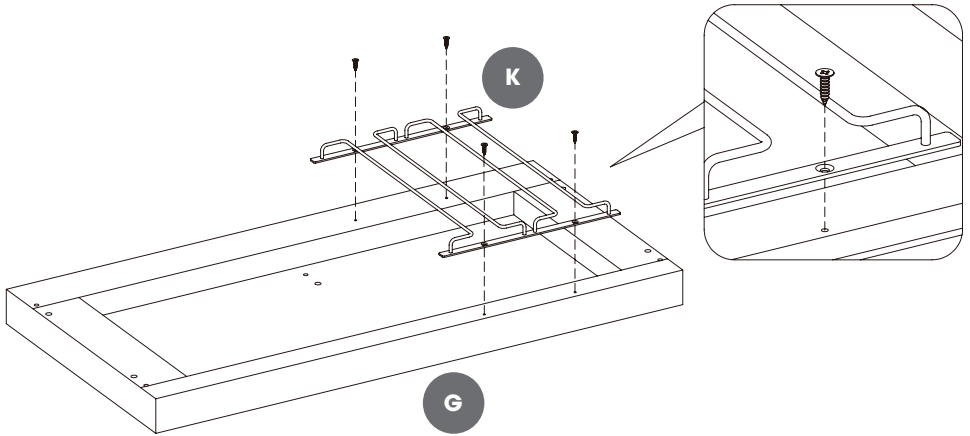


14

KK

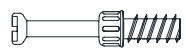


[x4]

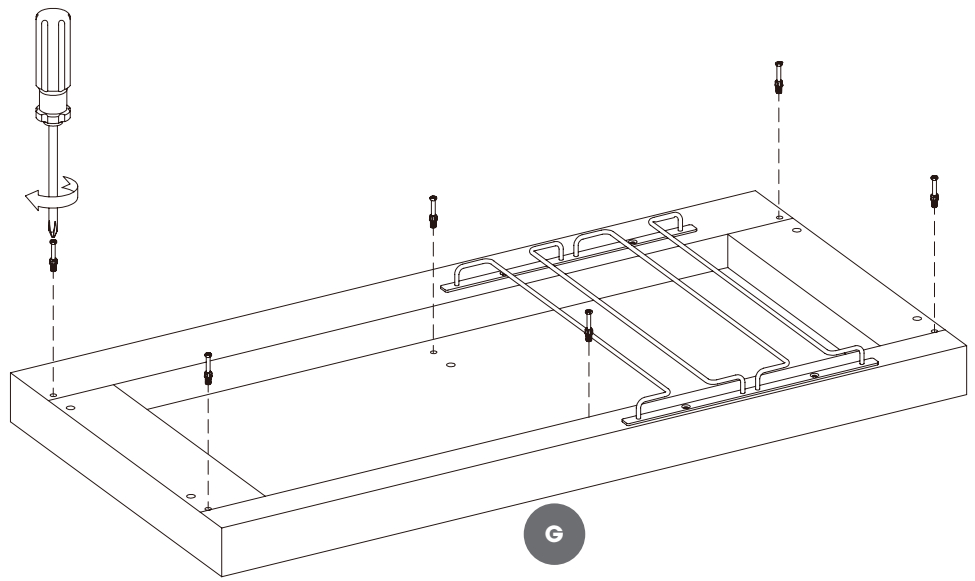


15

AA



[x6]

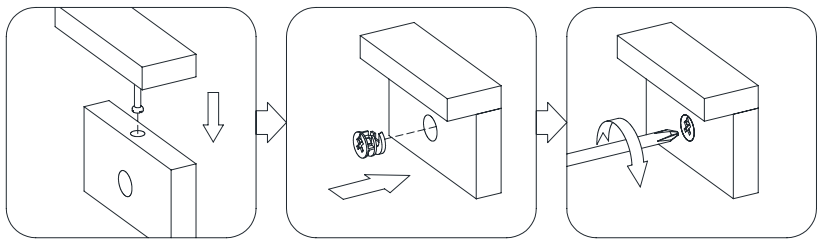


16

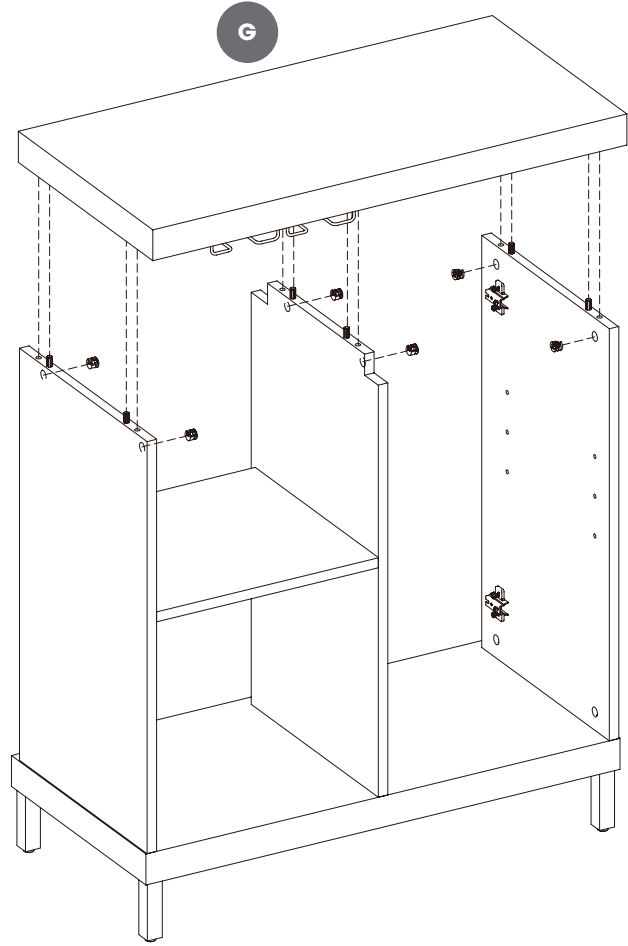
BB



[x6]



G

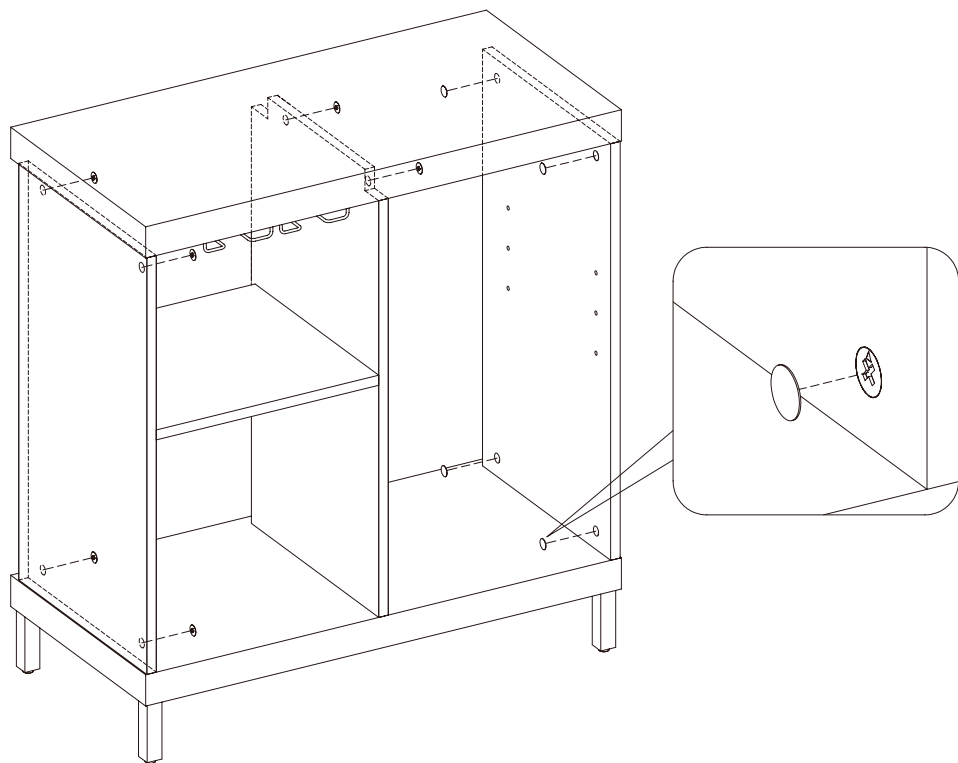


17

JJ

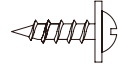


[x10]

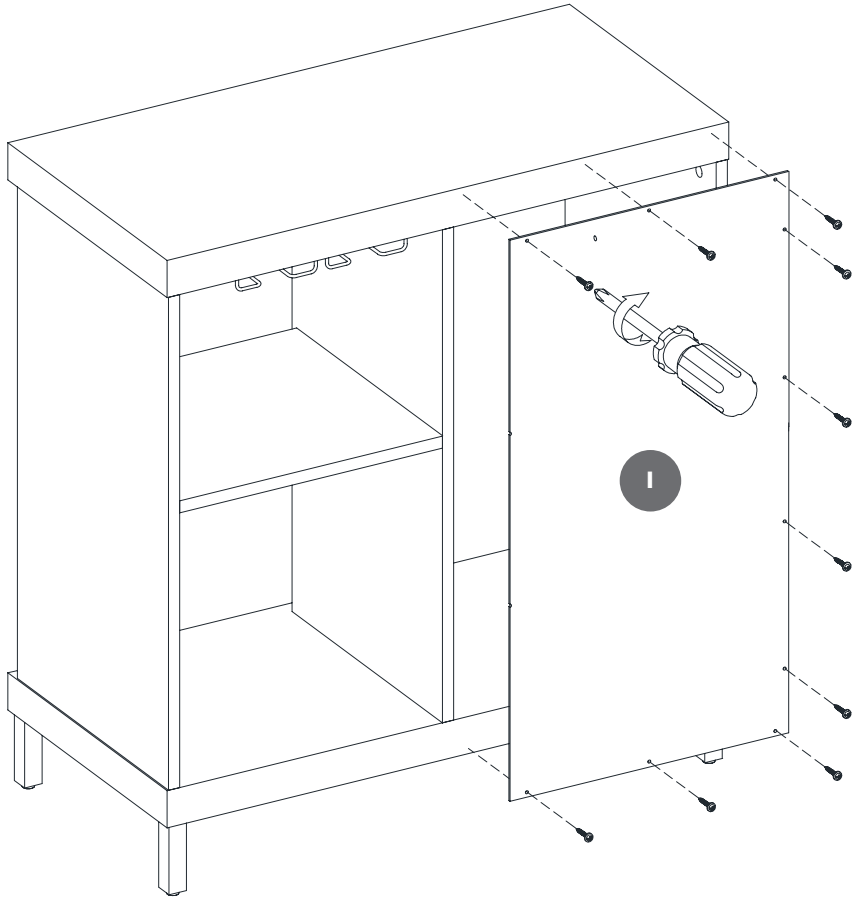


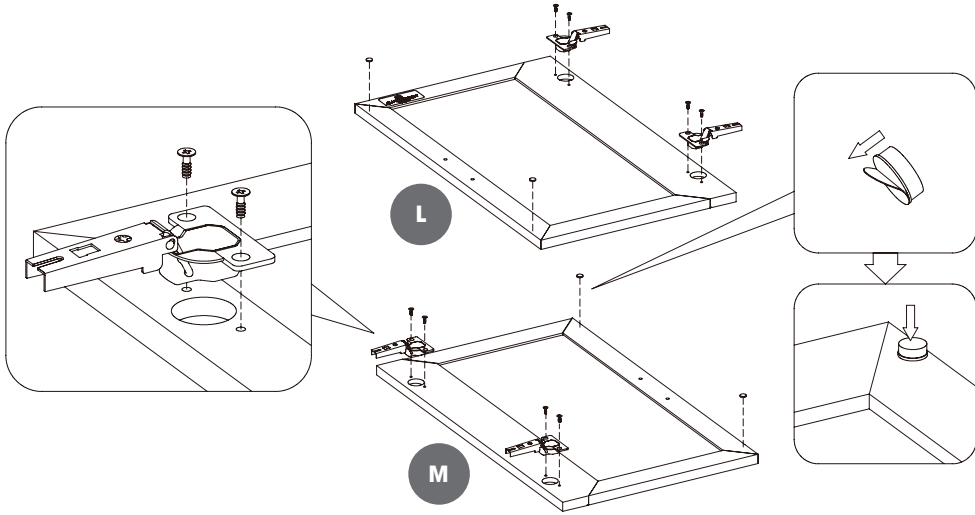
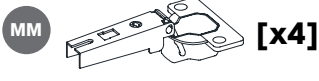
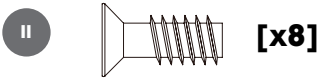
18

EE



[x10]



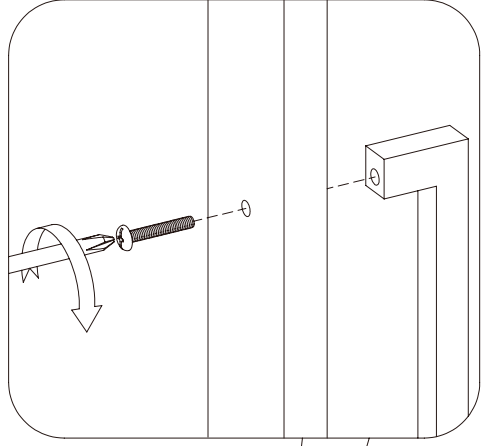


20

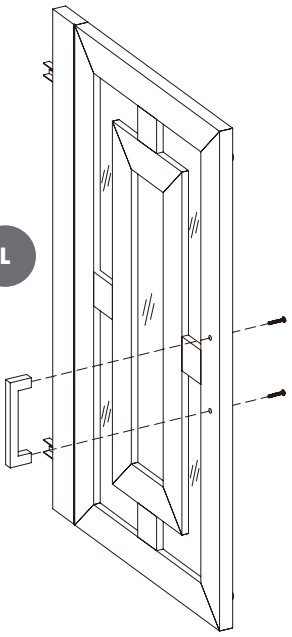
HH



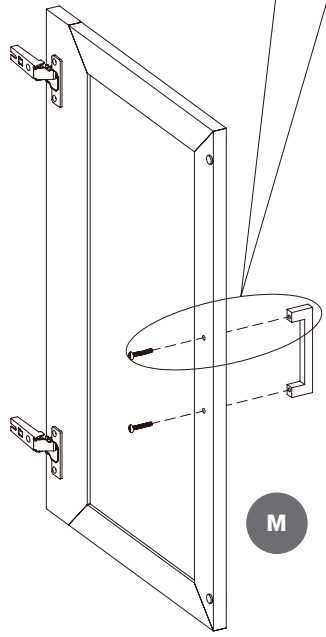
[x2]

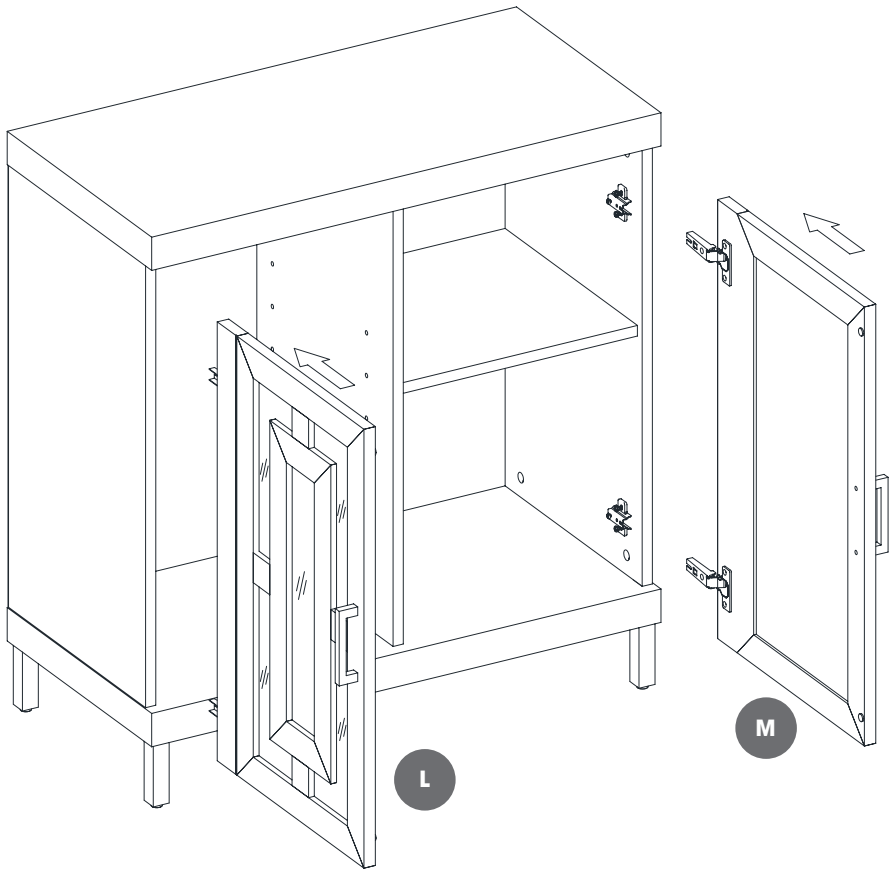
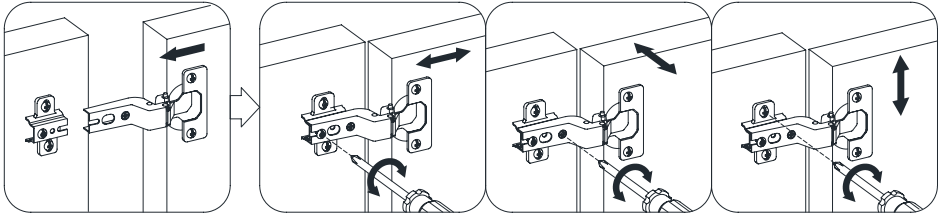


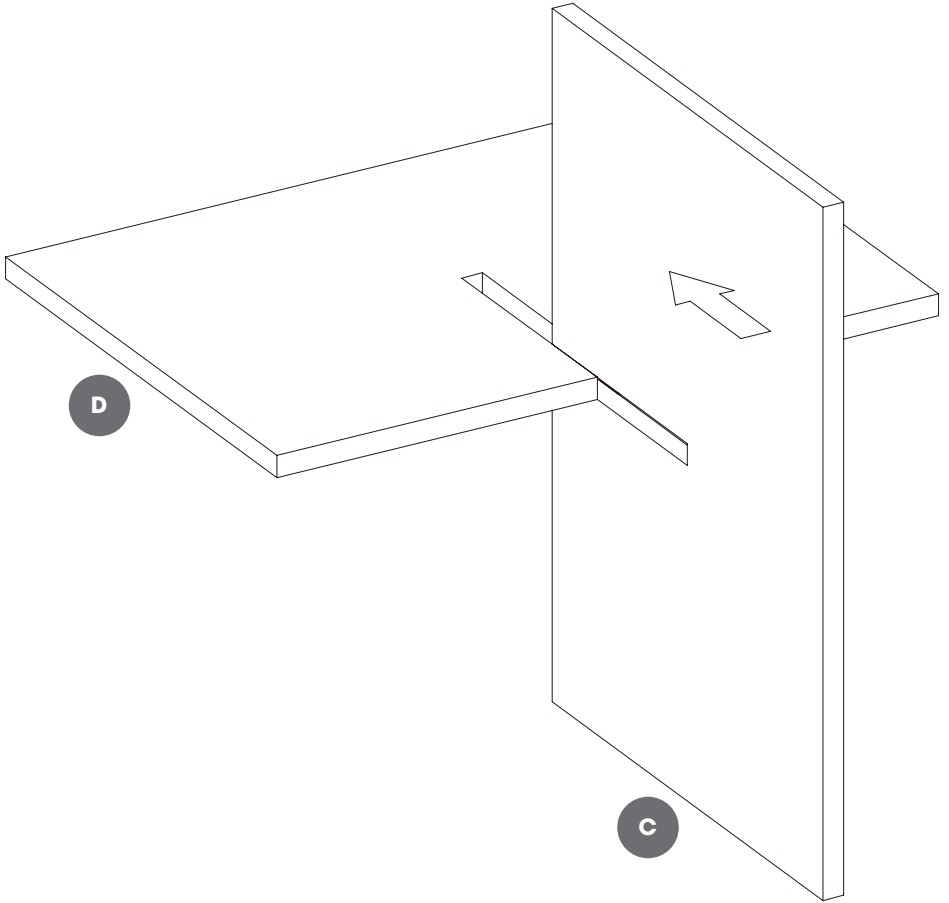
L

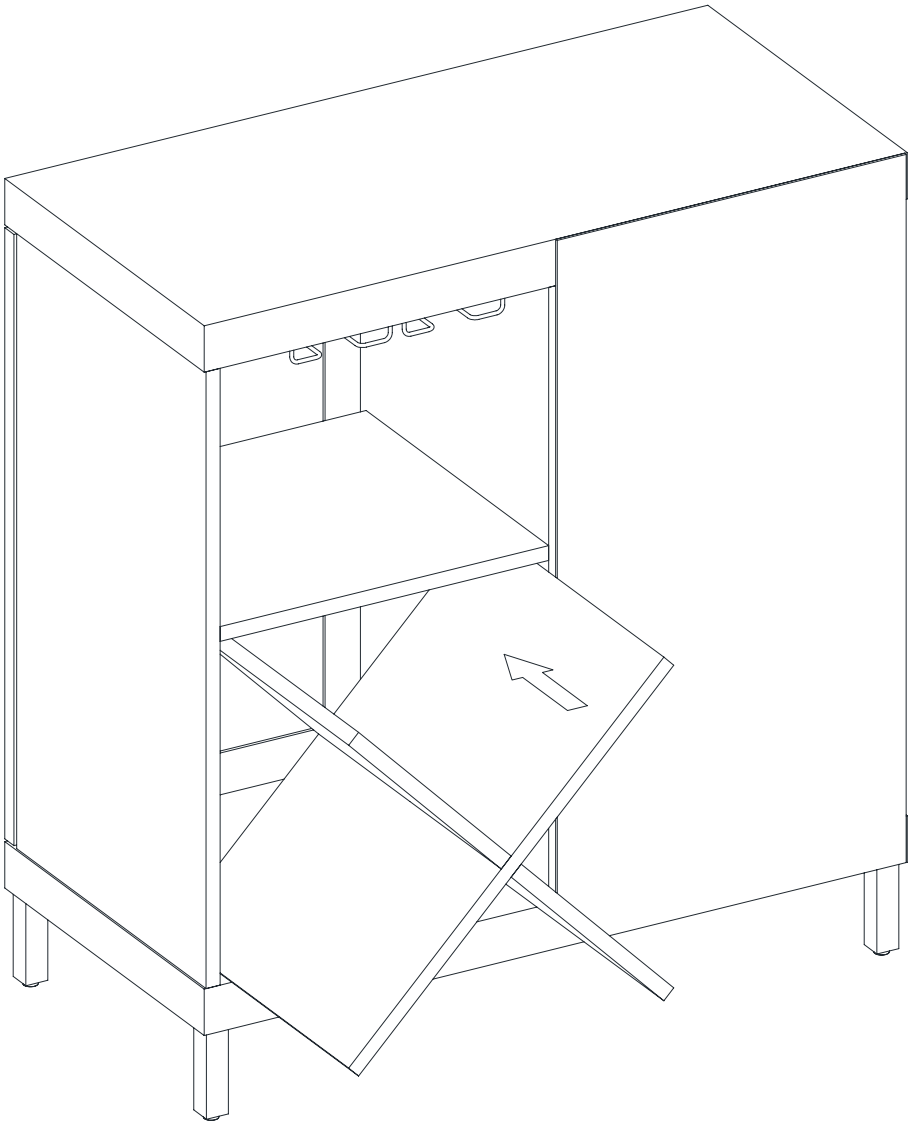


M



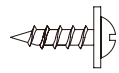




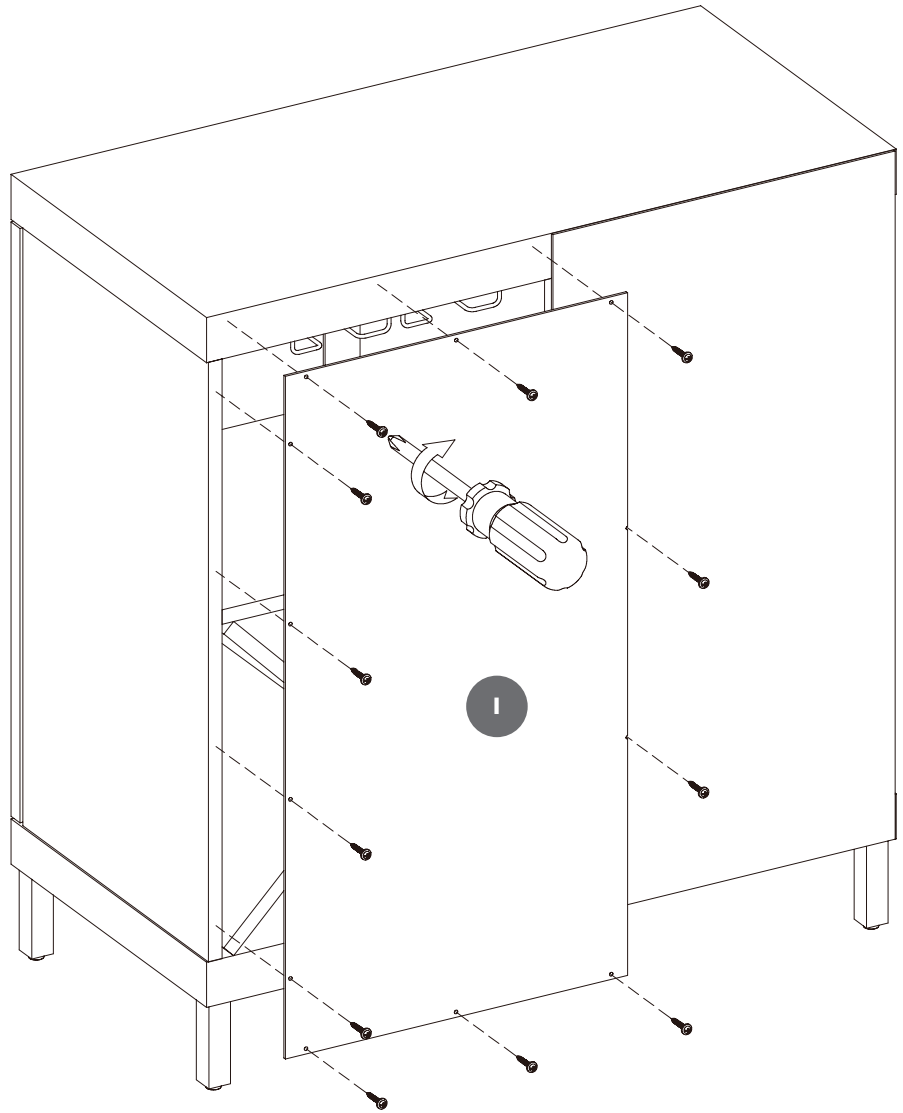


24

EE

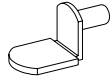


[x12]

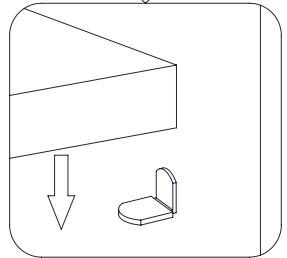
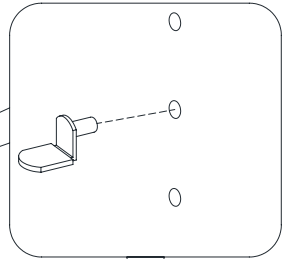
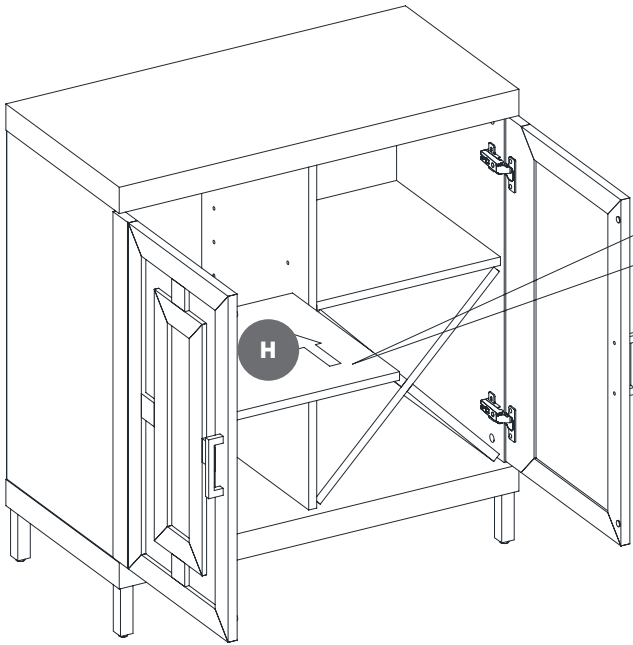


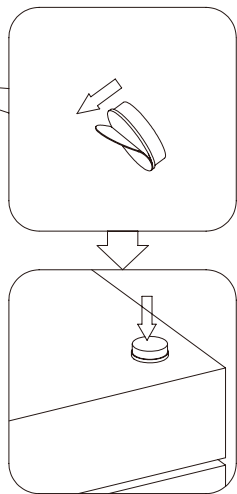
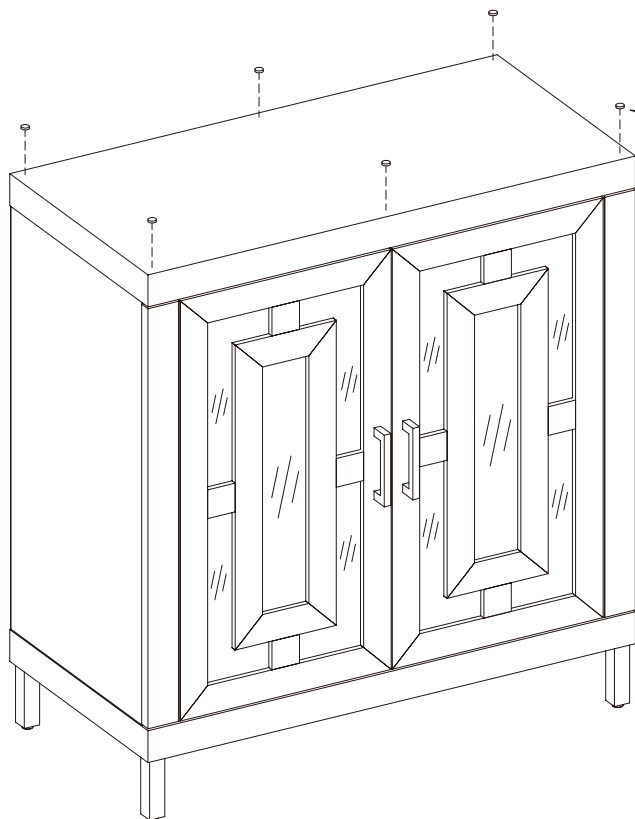
25

FF

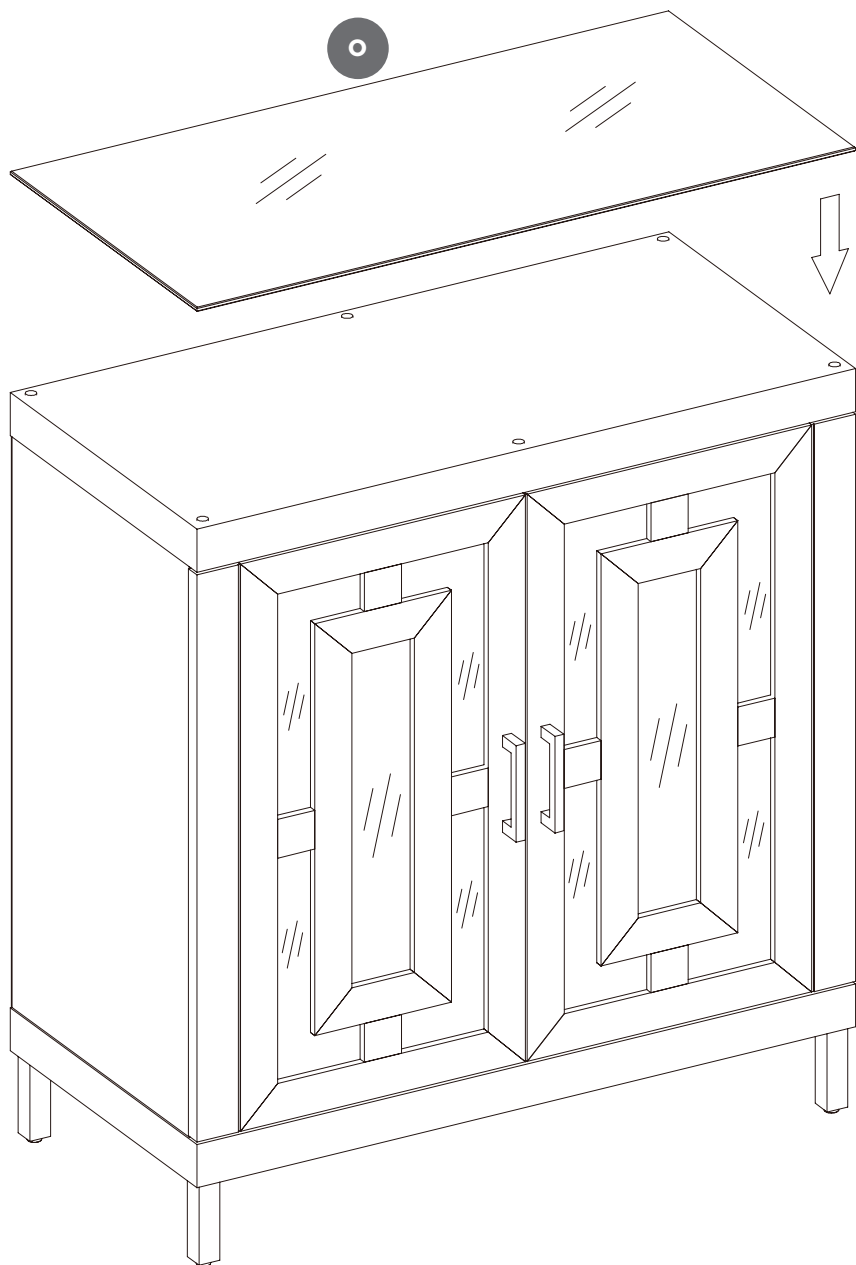


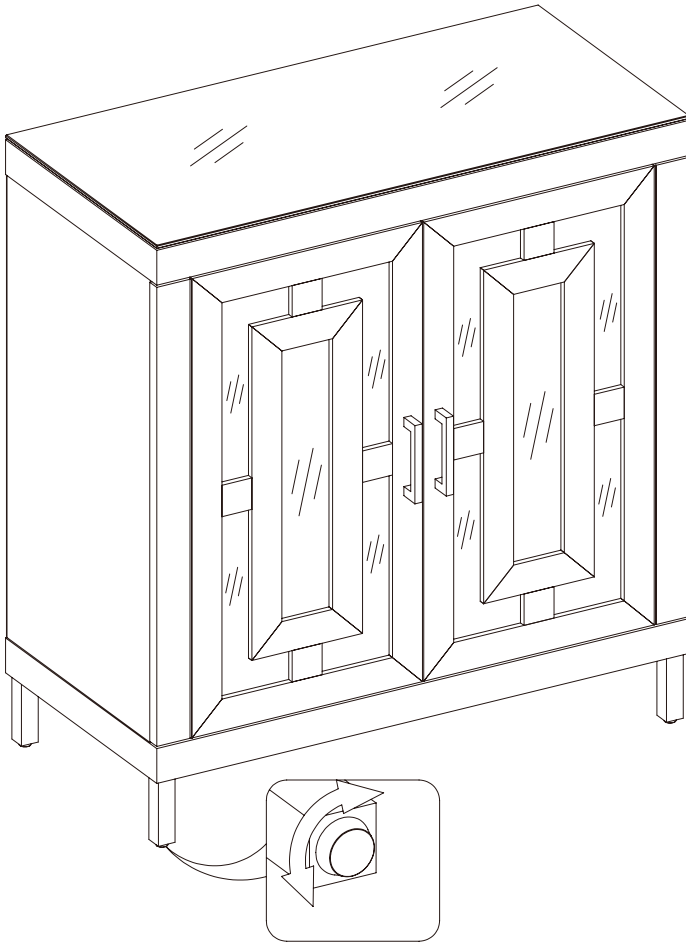
[x4]





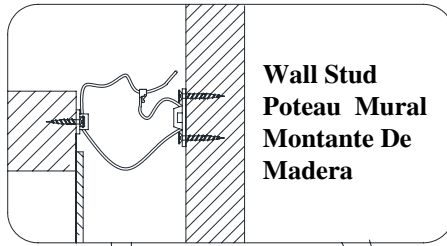
27



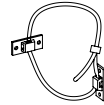


Note: It is very important that your unit is level in order for your doors to function properly. After moving your unit to its final location you may need to adjust the floor levelers.

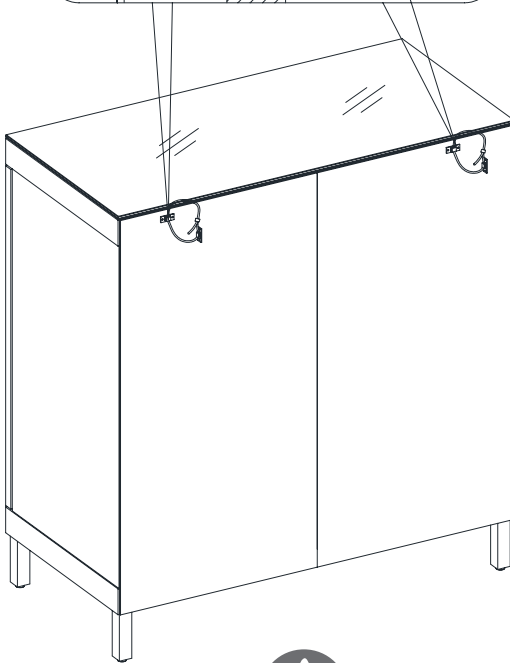
29



LL



[x2]



Warning: You must install the tip restraint hardware to help prevent any accidents or damage to the unit. We strongly recommend attaching the tip restraint hardware to a wall stud and your unit. For all other wall types, please visit your local hardware store to obtain the proper hardware.

Care and Maintenance

- Use a soft, clean cloth that will not scratch the surface when dusting.
- Use of furniture polish is not necessary. Should you choose to use polish, test first in an inconspicuous area.
- Using solvents of any kind on your furniture may damage the finish.
- Never use water to clean your furniture as it may cause damage to the finish.
- Always use coasters under beverage glasses and flowerpots.
- Liquid spills should be removed immediately, as it may damage the furniture. Use a soft, clean cloth and blot the spill gently. Avoid rubbing.
- Always use protective pads under hot dishes and plates. Heat can cause chemical changes that may create spotting within the furniture.

Further advice about wood furniture care

It is best to keep your furniture in a climate-controlled environment. Temperature and humidity changes can cause fading, warping, shrinking and splitting of wood. It is advised to keep furniture away from direct sunlight as sun may damage the finish. Proper care and cleaning at home will extend the life of your purchase.

We hope you enjoy your purchase for many years. Thank you for your purchase!

INSTALLED REPLACEMENT PARTS



[x4]



[x12]



Threaded Insert

When registering your product, be sure to sign up for our updates to receive important service information and helpful tips. We value your privacy and will never share your personal information with other organizations. The information you submit is used only for providing product related services to you.

If you are unable to register your product, please save your proof of purchase for part replacement.