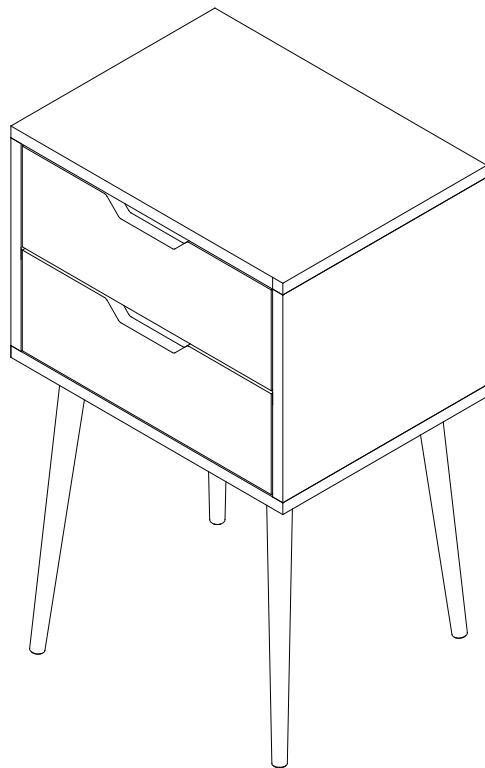


SIDETABLE



Thank you very much for choosing our items. We sincerely hope you enjoy the item in coming days. If you encounter any questions, please contact us freely.

Warm Prompt:

.Please ensure all parts are included in the box before assembly .Please read all instructions carefully before assembly.

.Please follow the steps exactly as described in the manual as any deviation from them may void your warranty or present a possible safety risk.

.If you experience any issues with the assembly or product, please contact us.

Product Care:

. Regularly check and tighten all screws and bolts as they are constantly under pressure to extend the life and durability of the item.

. Avoid exposure to direct sunlight, heat or humidity to prevent damage to the item.

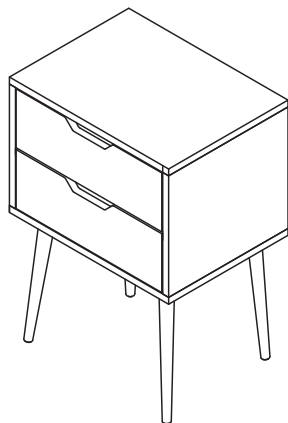
.Our products are meant to last for years . However every piece of furniture is unique and a little TLC can go a long way.

Questions:

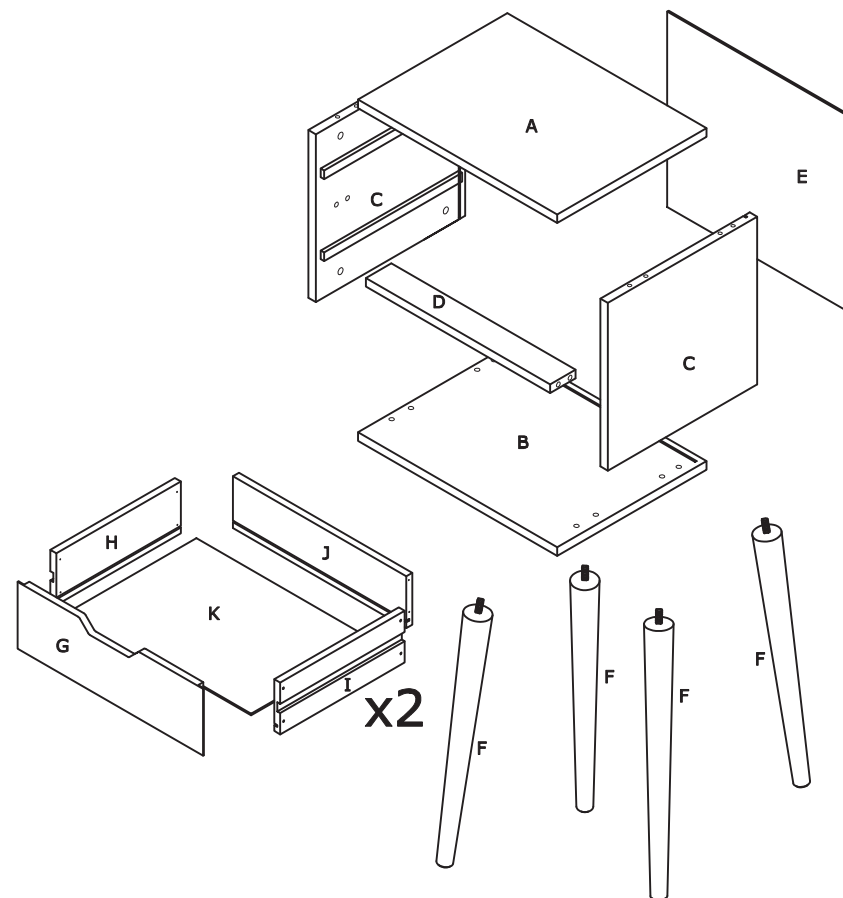
If need more information, please get in touch with the Customer team, available 7 days a week.

SIDETABLE ASSEMBLY INSTRUCTIONS

Thank you for purchasing the NIGHTDTAND. Please read the instructions carefully to ensure safe operation of the product.



Please check the pack contents before assembling this product. If any components are missing, please contact us. The fittings pack contains small items that should be kept away from small children.

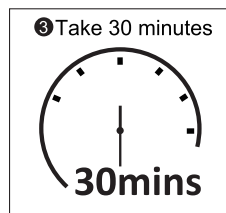
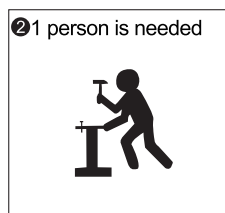
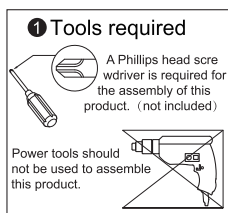


PLEASE READ this sheet prior to assembly to familiarise yourself with the various stages of construction.

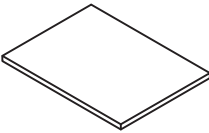
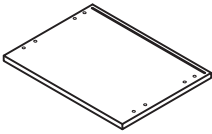
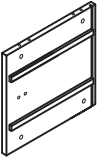

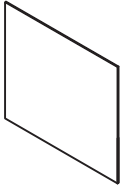

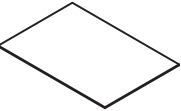
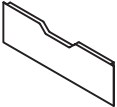
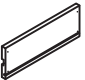
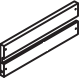


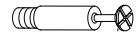
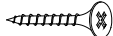

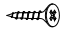
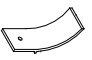
Carefully open the pack supplied and check the contents against the parts and fittings check list. Do not destroy any of the packaging until you are certain that you have all the necessary parts for the assembly.

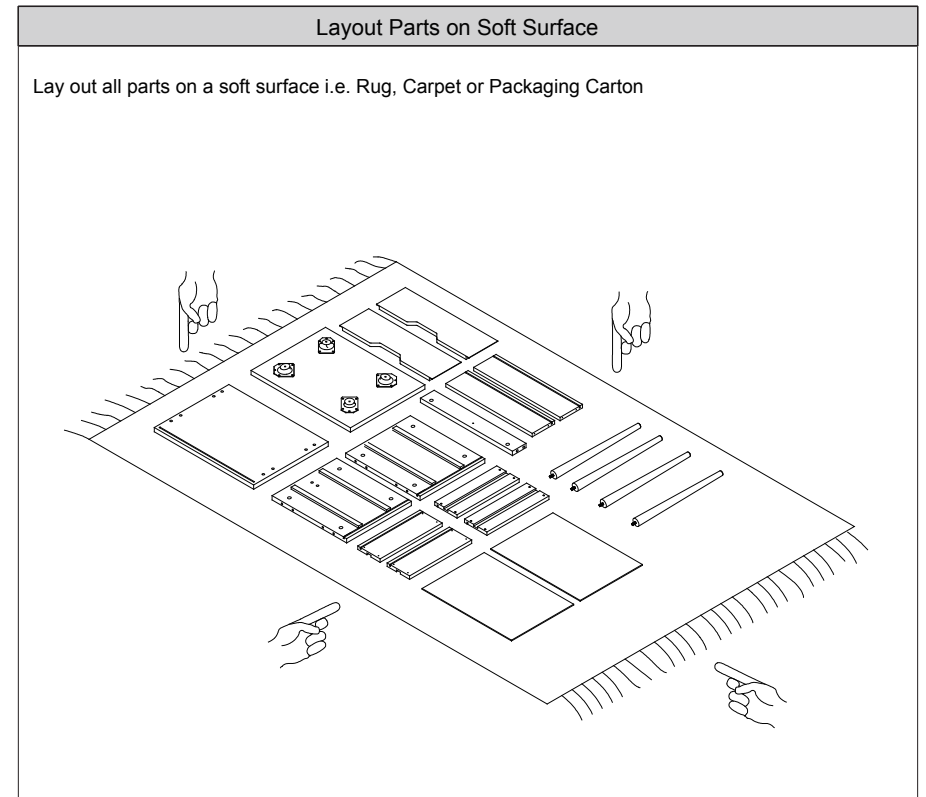
CAUTION: There are small components used in the construction of this unit. These loose items should be kept away from young children whilst assembling your unit to avoid the danger of choking hazards.

You need



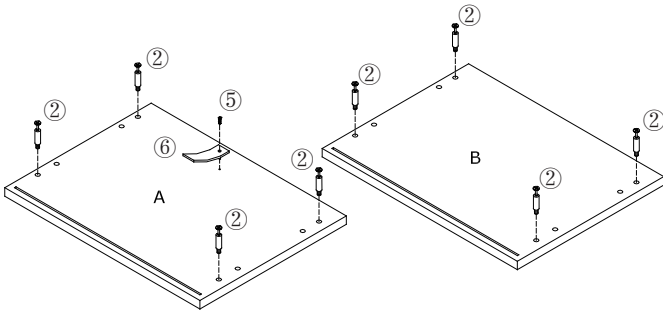
Parts

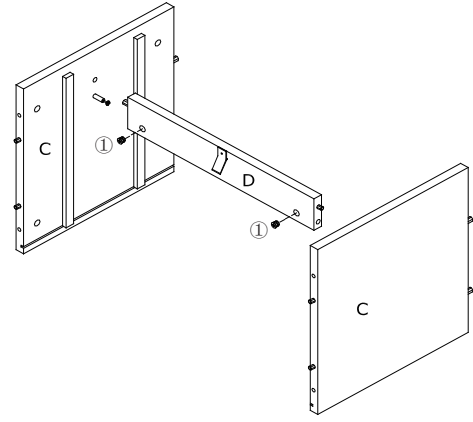
<p>A</p> 	<p>B</p> 	<p>C</p> 	
<p>Description: Table top panel Qty: 1 PC Size: 40x30x1.5cm</p>	<p>Description: Table bottom panel Qty: 1 PC Size: 40x30x1.5cm</p>	<p>Description: Table side panel Qty: 2 PCS Size: 30x28x1.5cm</p>	
<p>D</p> 	<p>E</p> 	<p>F</p> 	<p>K</p> 
<p>Description: Support bar Qty: 1 PC Size: 36.5x5x1.5cm</p>	<p>Description: Table back panel Qty: 1 PC Size: 38x29.4x0.3cm</p>	<p>Description: Table leg Qty: 4 PCS Size: 24x3.5x3.5cm</p>	<p>Description: Drawer bottom Qty: 2 PCS Size: 35.2x26x.3cm</p>
<p>G</p> 	<p>H</p> 	<p>I</p> 	<p>J</p> 
<p>Description: Drawer front Qty: 2 PCS Size: 36.5x13.5x1.5cm</p>	<p>Description: Drawer left panel Qty: 2 PCS Size: 27x11.5x0.9cm</p>	<p>Description: Drawer right panel Qty: 2 PCS Size: 27x11.5x0.9cm</p>	<p>Description: Drawer back Qty: 2 PCS Size: 34.5x11.5x0.9cm</p>
<p>①</p> 	<p>②</p> 	<p>③</p> 	<p>④</p> 
<p>Description: Cam Qty: 10 PCS Size: 15x10mm</p>	<p>Description: Cam bolt Qty: 10 PCS Size: 6x35mm</p>	<p>Description: Screw Qty: 16 PCS Size: 3x30mm</p>	<p>Description: Wood dowel Qty: 10 PCS Size: 8x30mm</p>
<p>⑤</p> 	<p>⑥</p> 		
<p>Description: Screw Qty: 2 PCS Size: 3x12mm</p>	<p>Description: Block Qty: 2 PCS</p>		

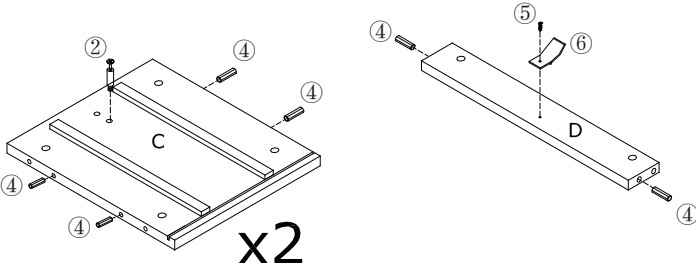


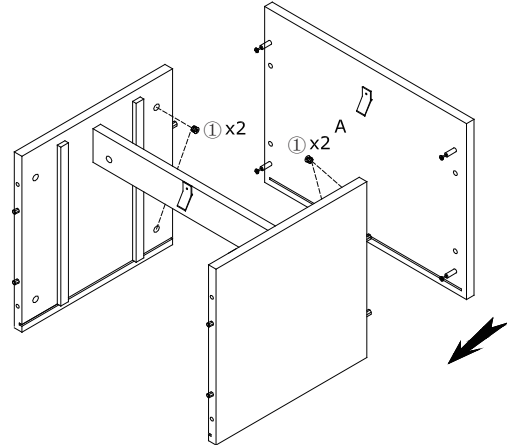
CAUTION: There are many small components used in the construction of this product. Please keep these components away from young children whilst assembling this product.

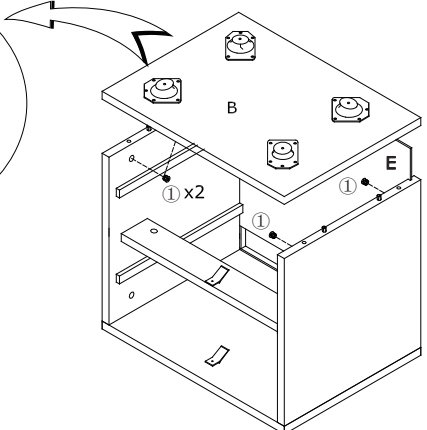
If you keep the fittings in a bowl during assembly you will be less likely to lose them!

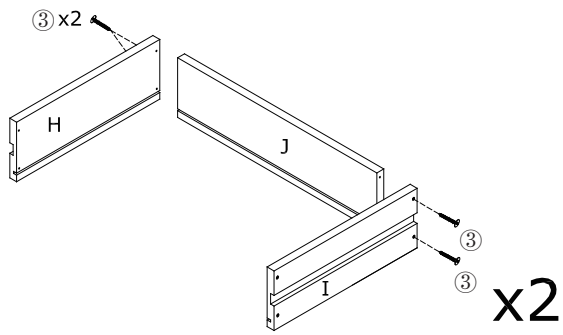
STEP 1	Parts Required
	<p>A Table top panel x1 B Table bottom panel x1</p> <p>② Cam bolt x8 ⑤ Screw x1 ⑥ Block x1</p>

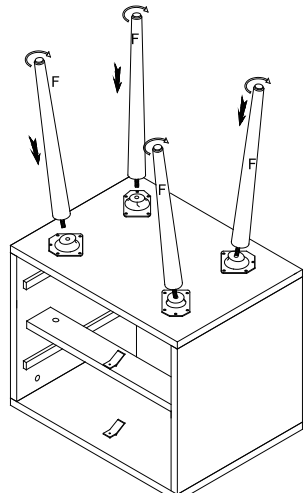
STEP 3	Parts Required
	<p>C Table side panel x2 D Support bar x1</p> <p>① Cam x2</p>

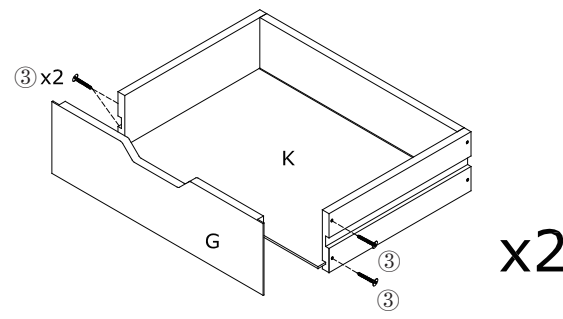
STEP 2	Parts Required
	<p>C Table side panel x2 D Support bar x1</p> <p>④ Wood dowel x10 ⑥ Screw x1 ⑤ Block x1 ② Cam bolt x2</p>

STEP 4	Parts Required
	<p>A Table top panel x1 ① Cam x4</p>

STEP 5	Parts Required
<div data-bbox="161 295 492 550" style="border: 1px solid black; border-radius: 50%; padding: 10px; display: inline-block;"> <p>Warning:</p> <p>Can't be placed on top of other sections, it will scratch them</p> </div> 	<p>B Table bottom panel x1</p> <p>E Table back panel x1</p> <p>① Cam x4</p>

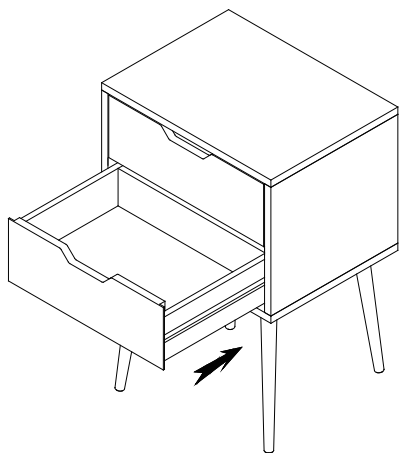
STEP 7	Parts Required
	<p>H Drawer left panel x2</p> <p>I Drawer right panel x2</p> <p>J Drawer back x2</p> <p>③ Screws x8</p>

STEP 6	Parts Required
	

STEP 8	Parts Required
	<p>G Drawer front x2</p> <p>K Drawer bottom x2</p> <p>③ Screws x8</p>

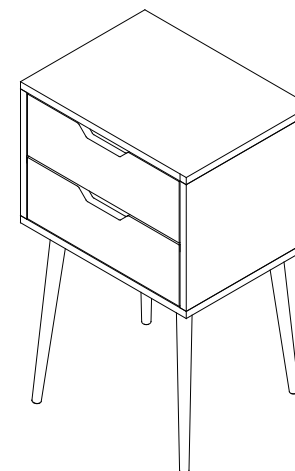
STEP 9

Parts Required



Complete Assembly

Your SIDETABLE is now completely assembled.
Periodically check to ensure that the components are in their proper position, free from damage.
Also, make sure the connectors are tight and secure.



Keep instructions for future reference.

