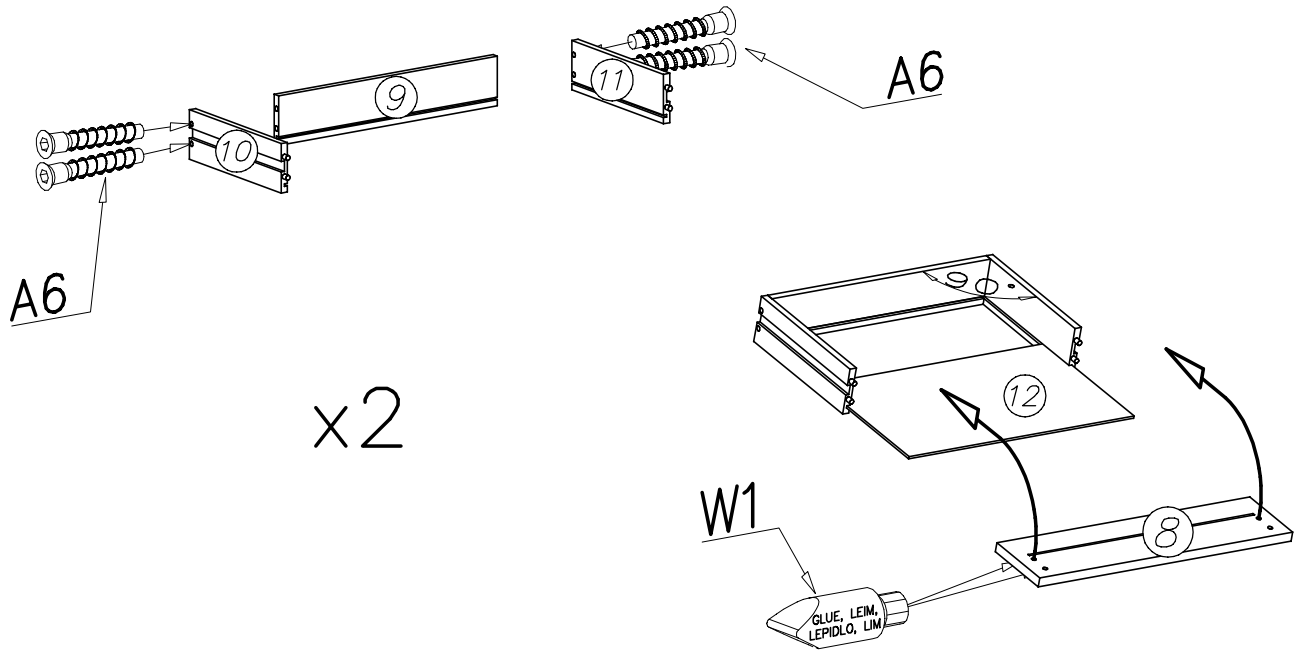
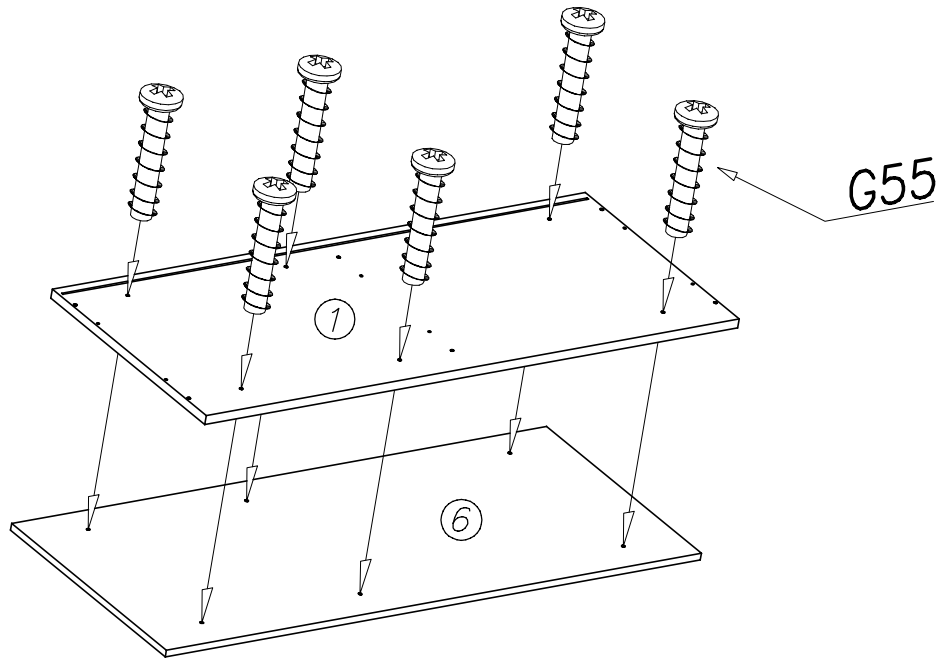


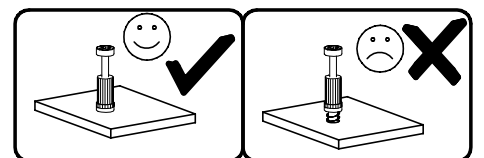
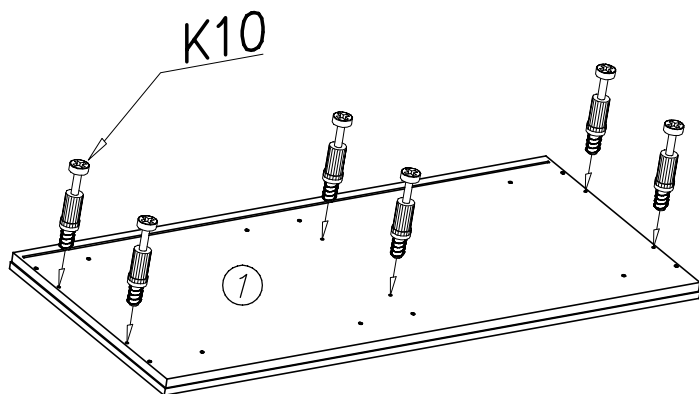
I



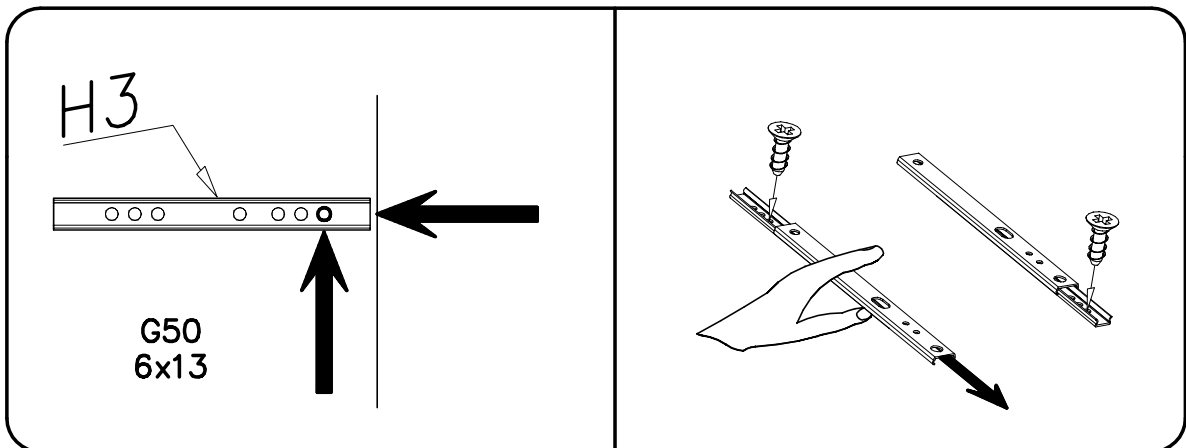
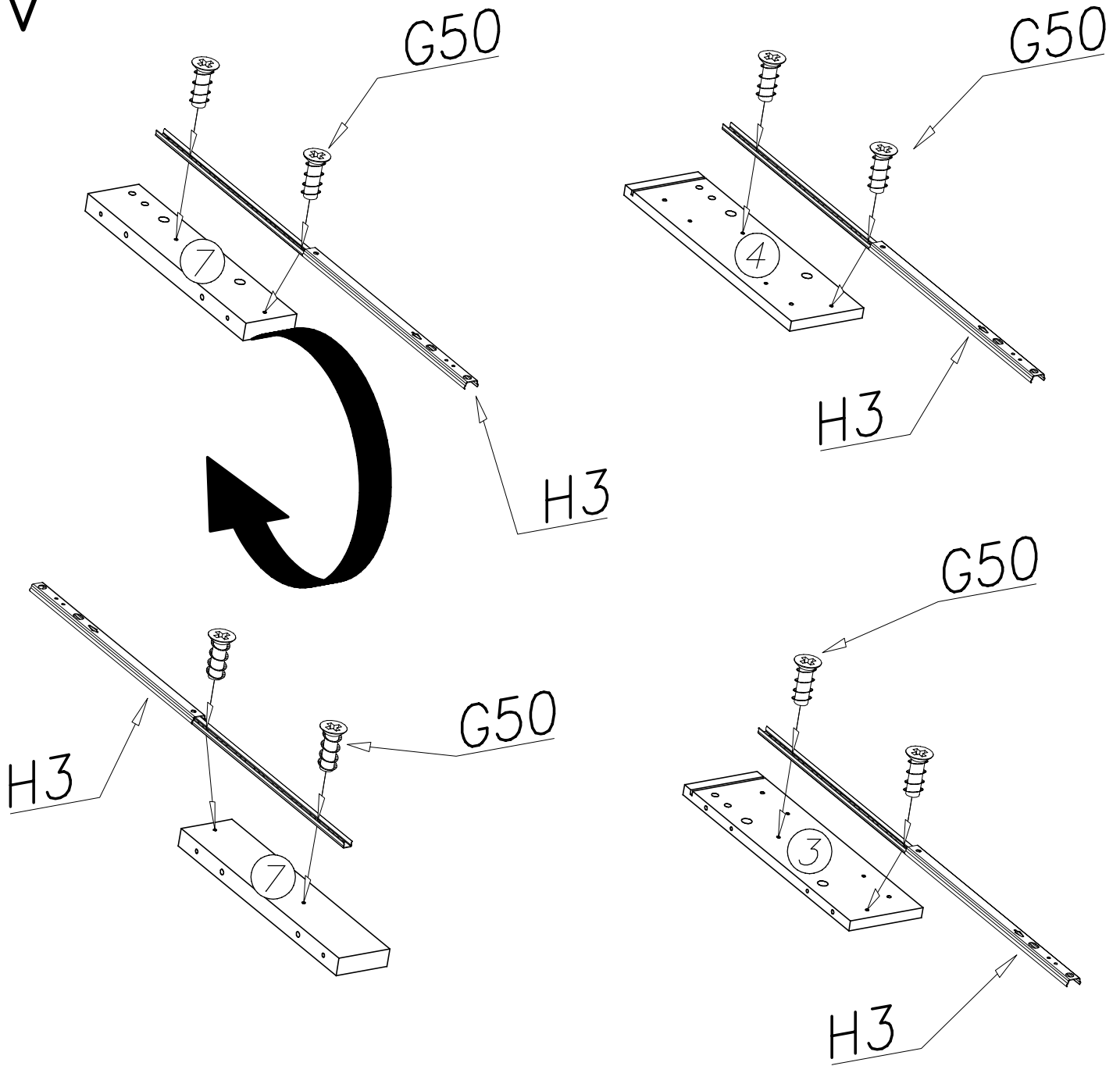
II



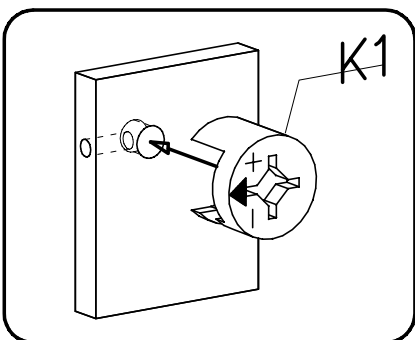
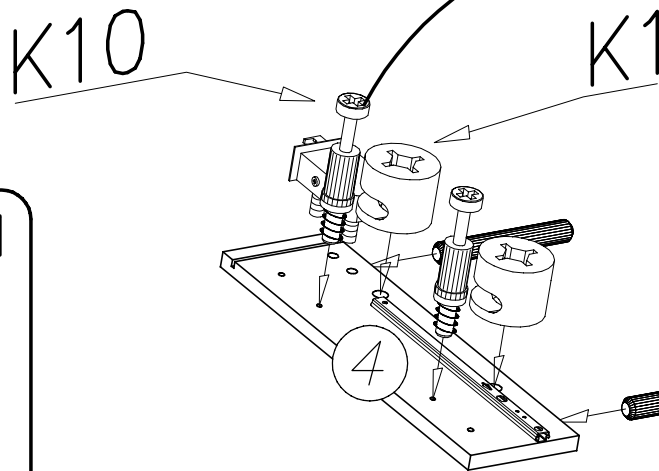
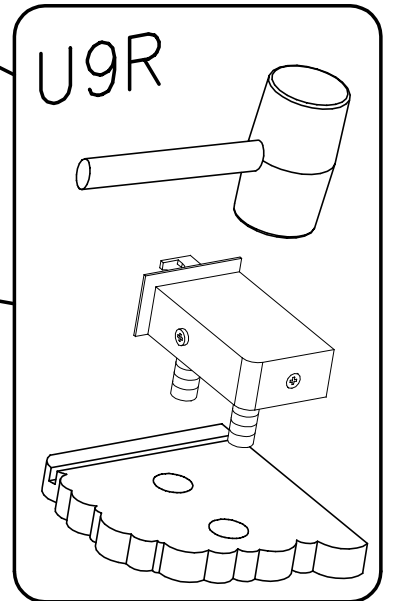
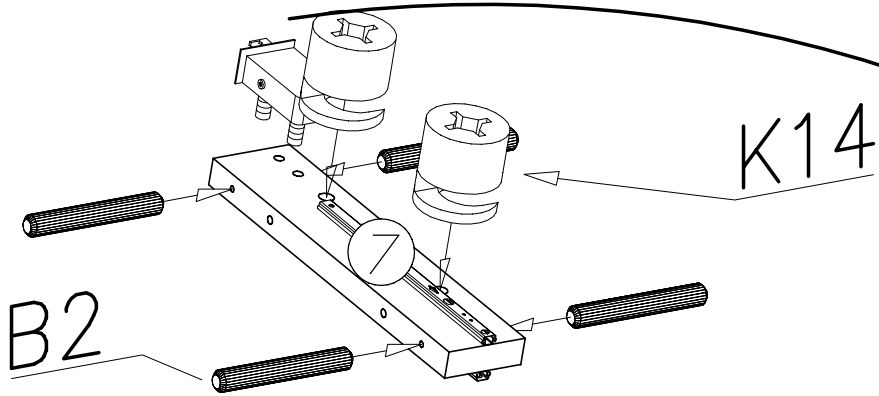
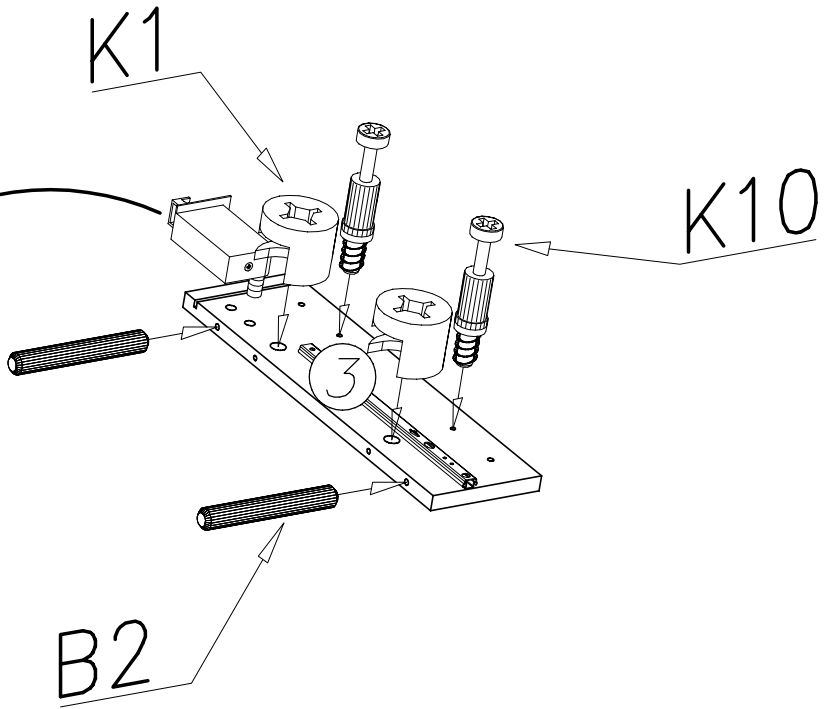
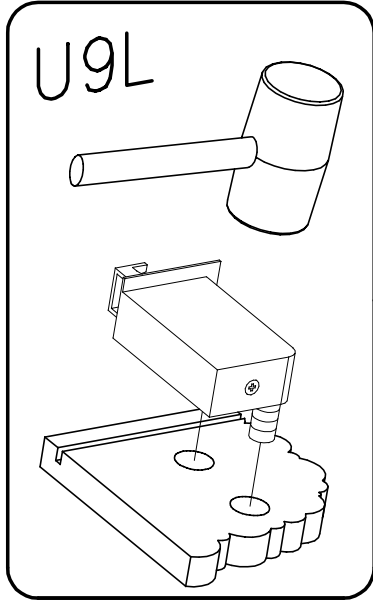
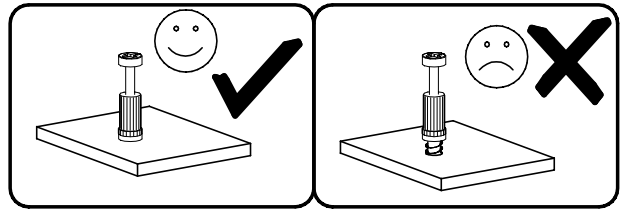
III



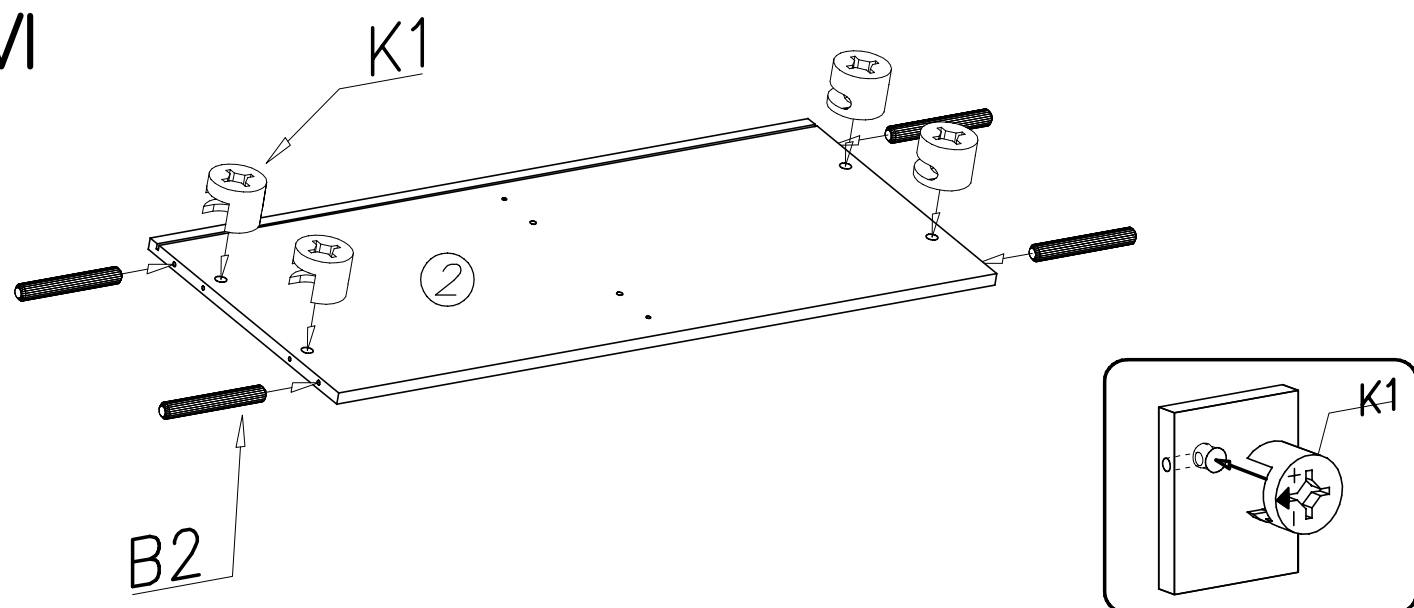
# IV



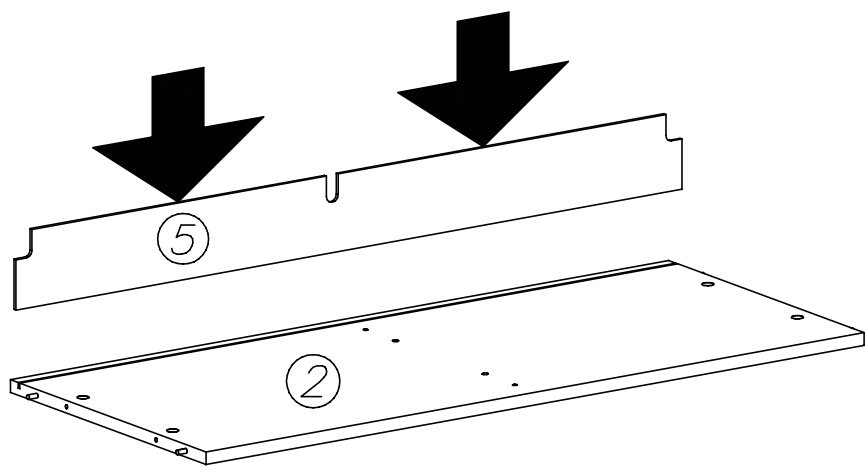
V



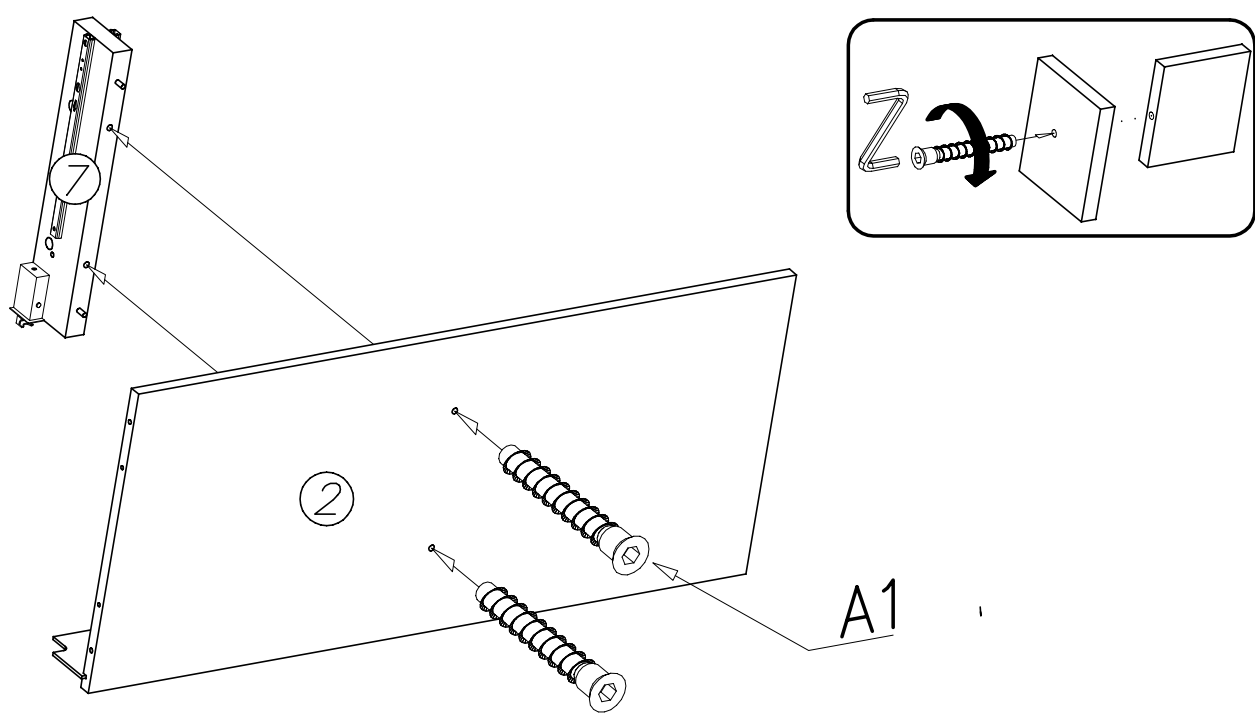
# VI



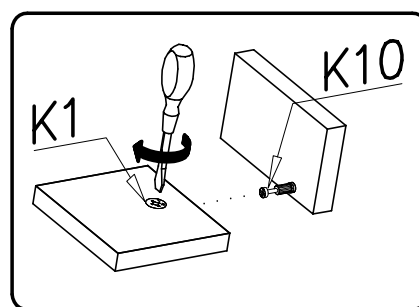
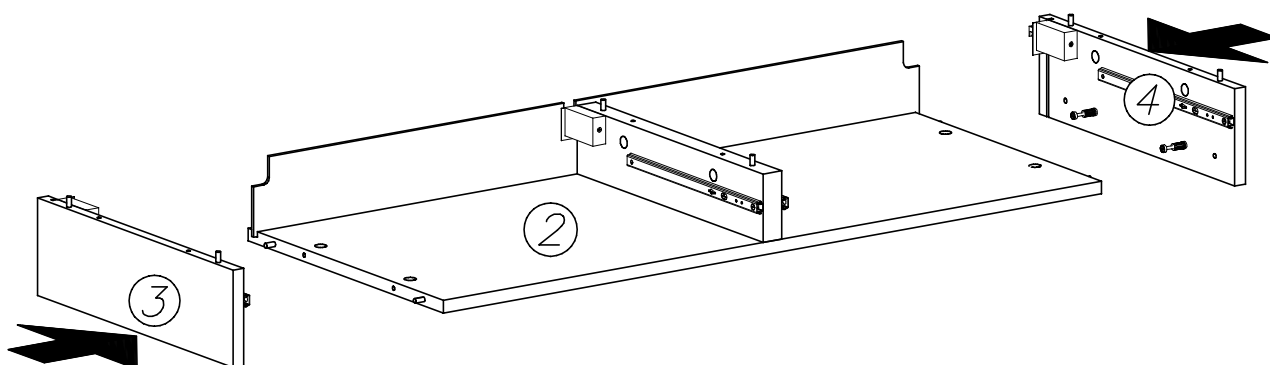
# VII



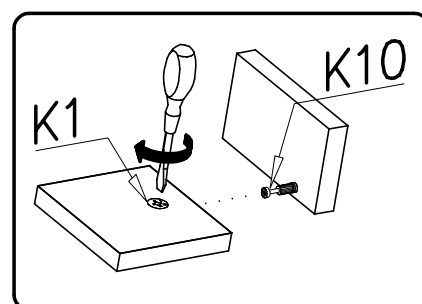
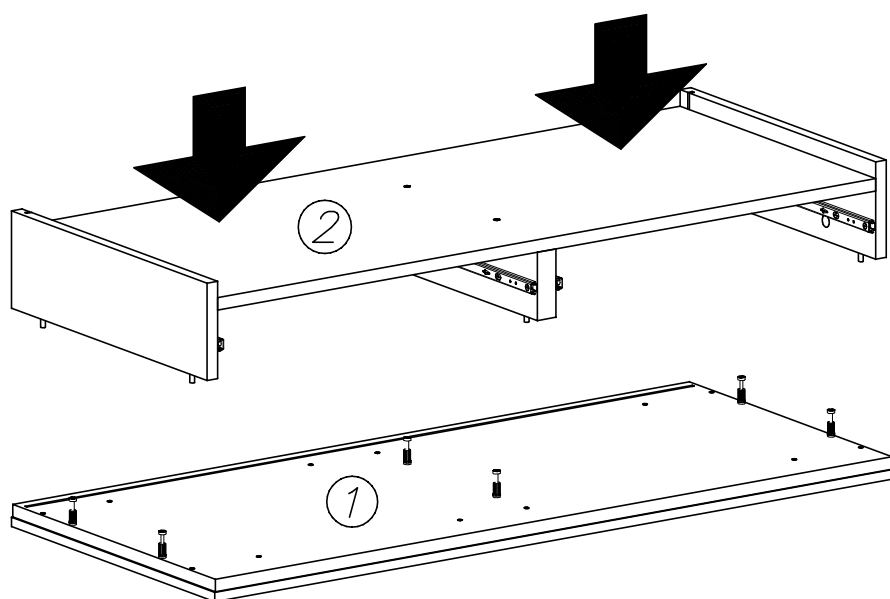
# VIII



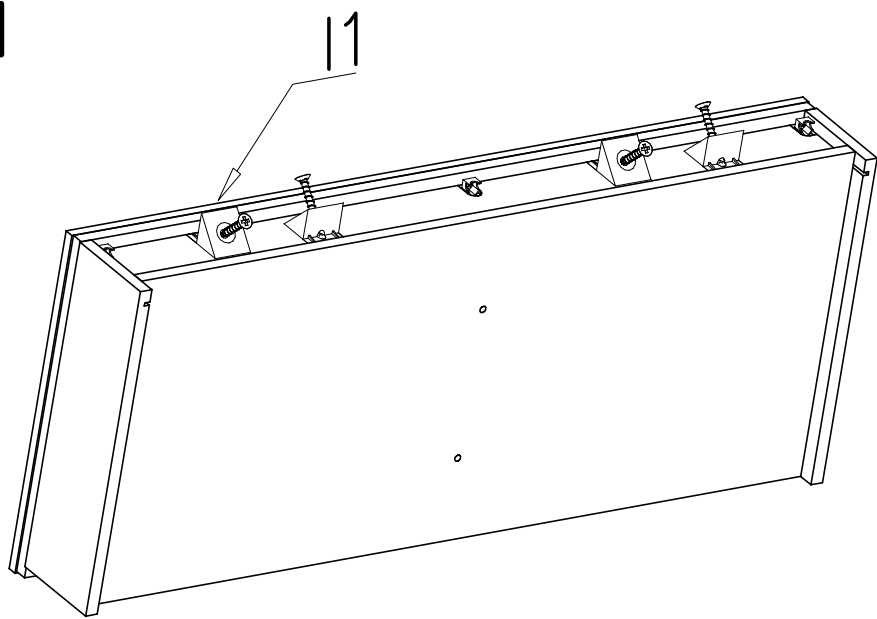
IX



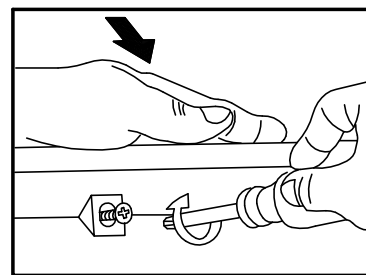
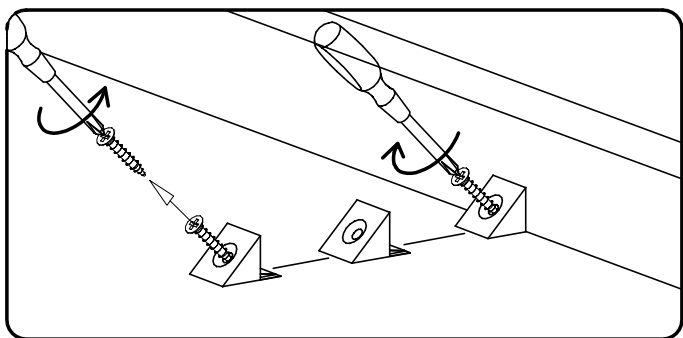
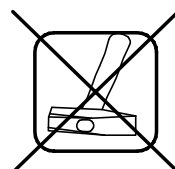
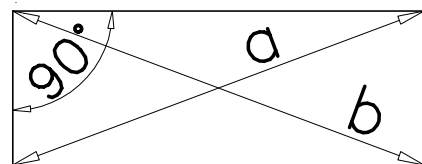
X



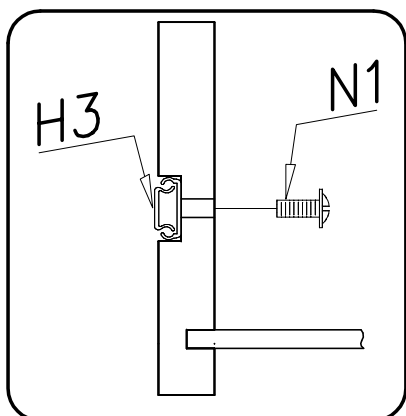
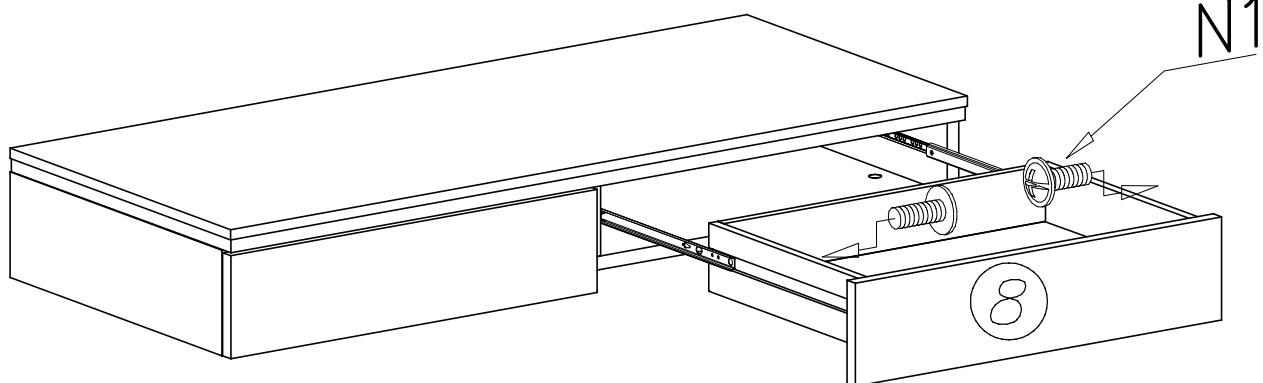
XI



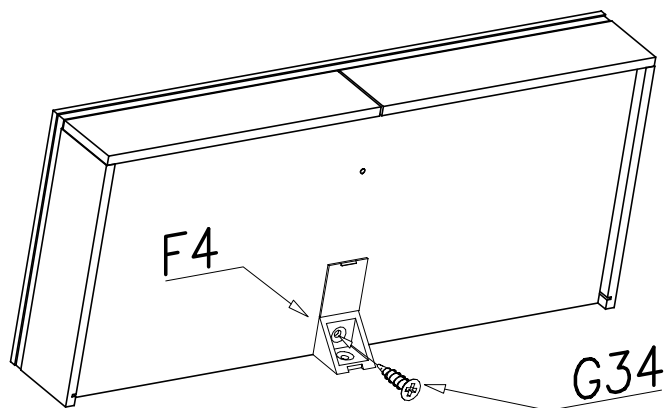
$a=b$



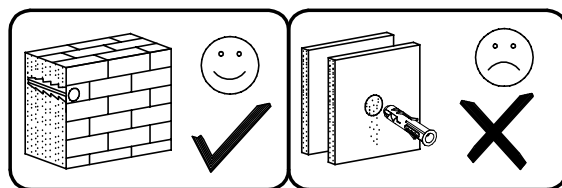
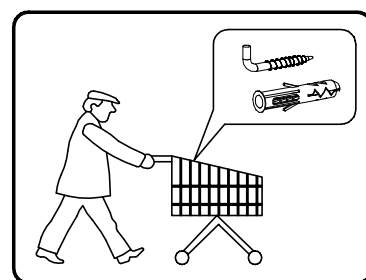
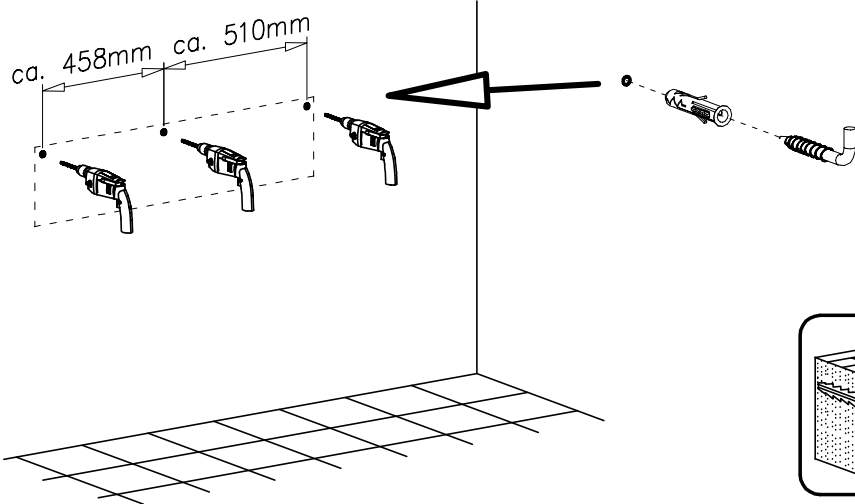
XII



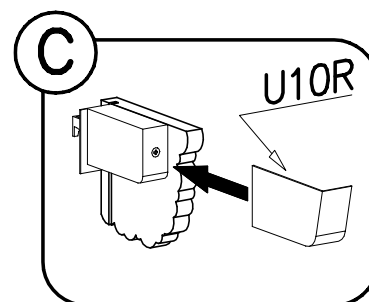
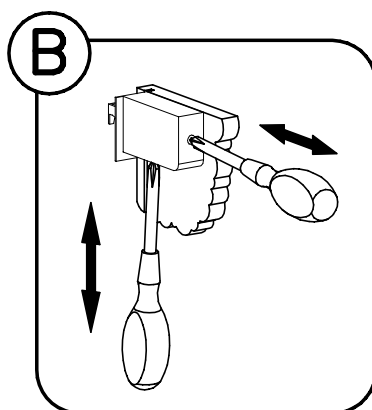
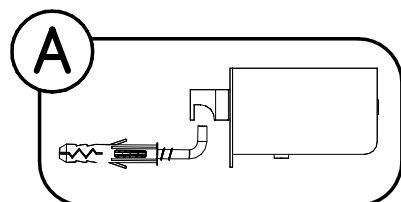
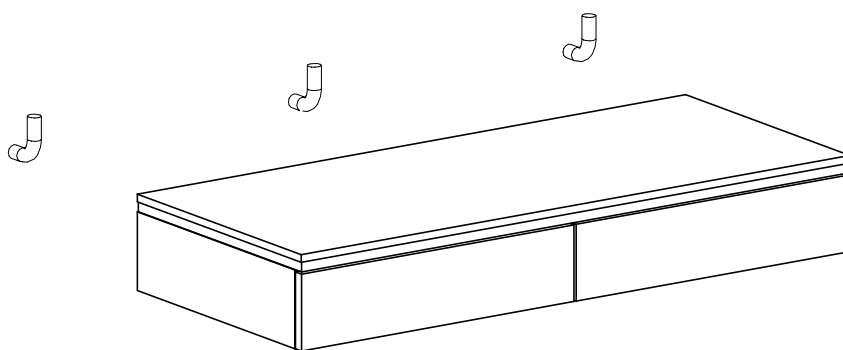
# XIII



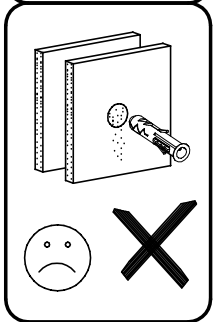
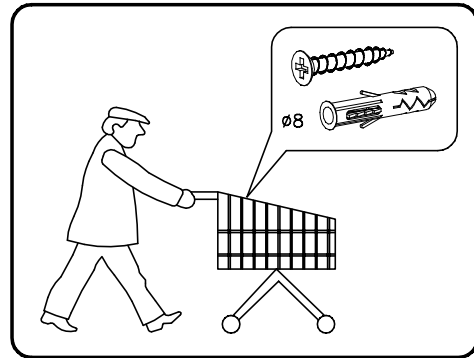
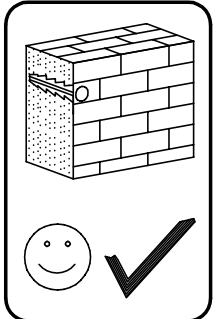
# XIV



# XV

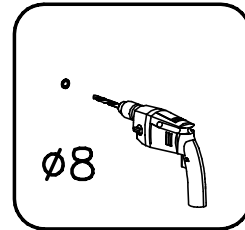
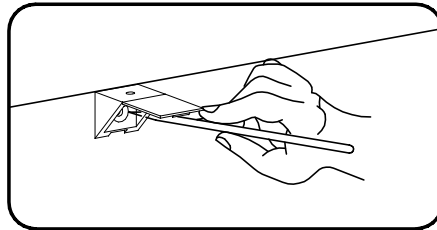


# XVI



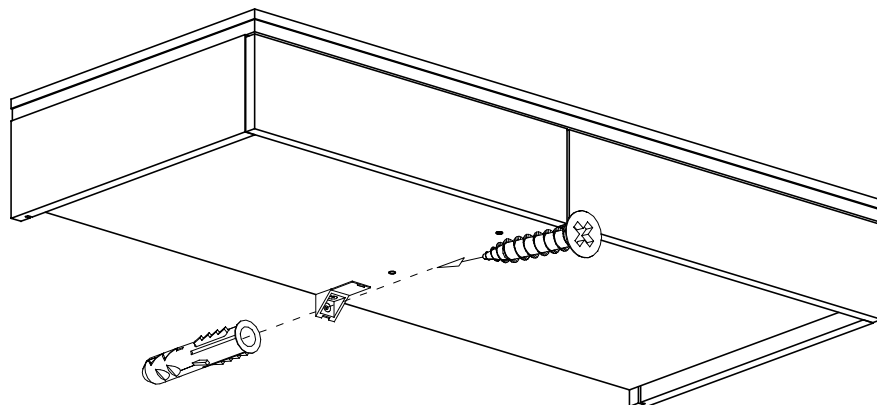
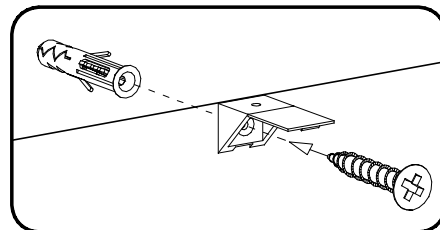
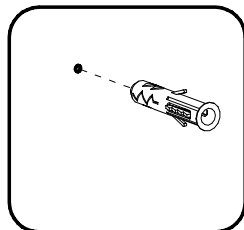
1

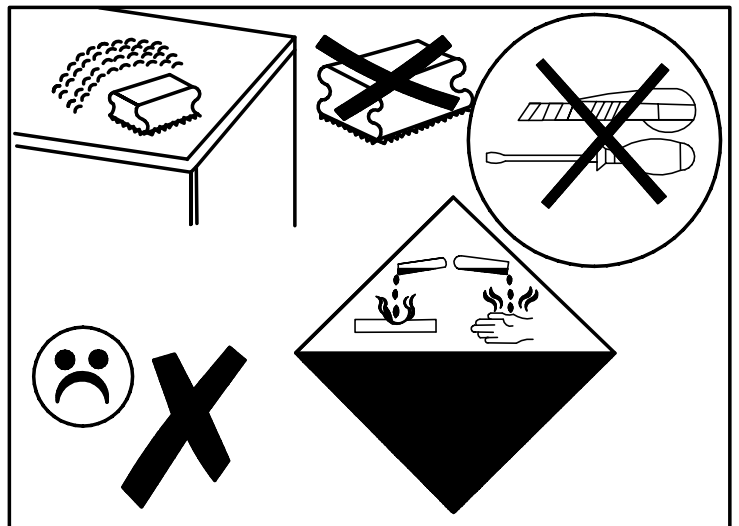
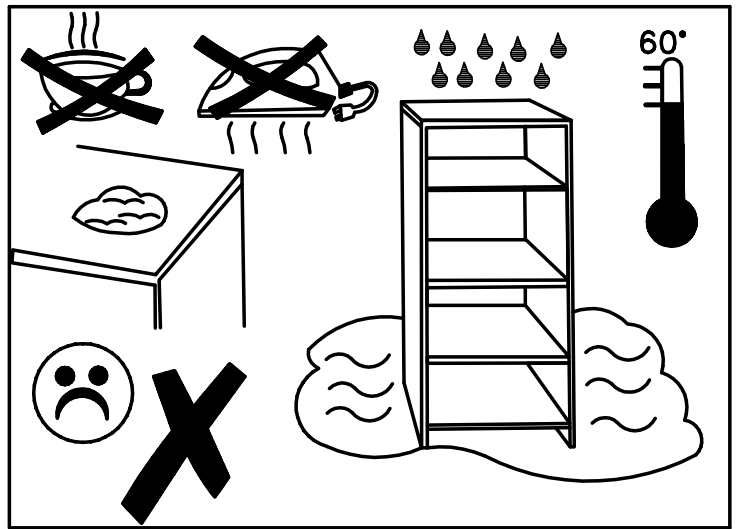
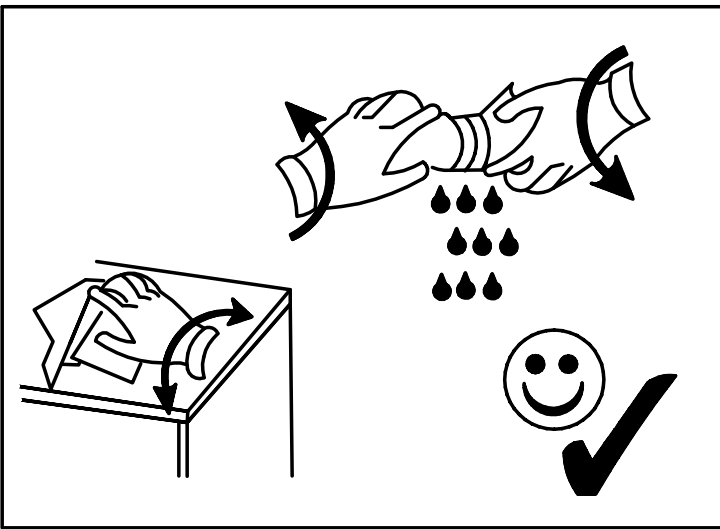
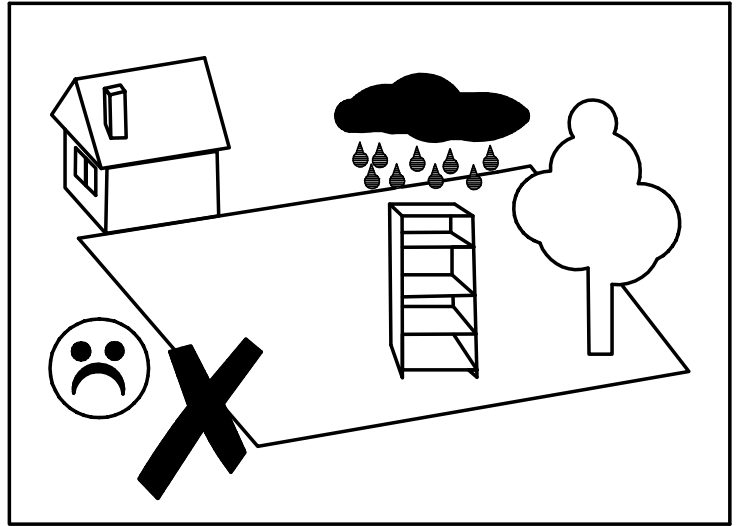
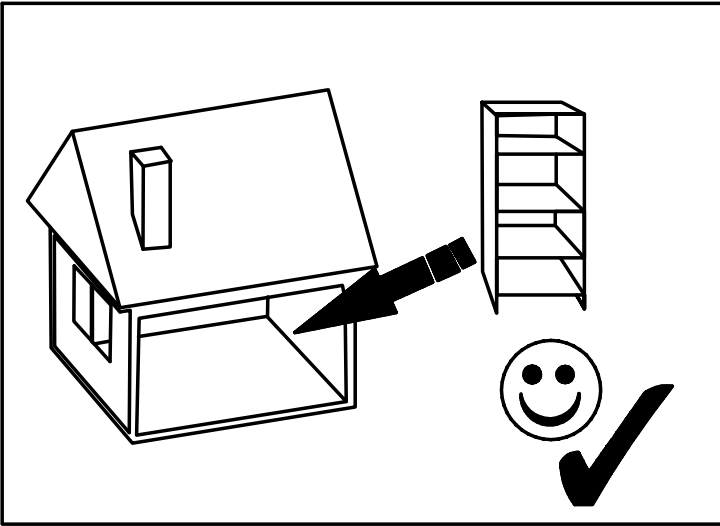
2

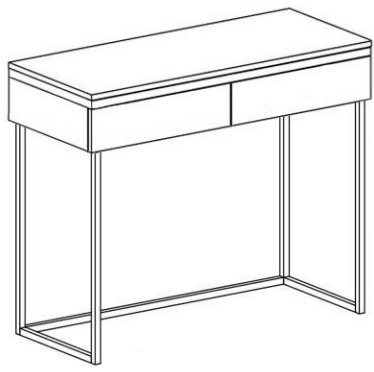


3

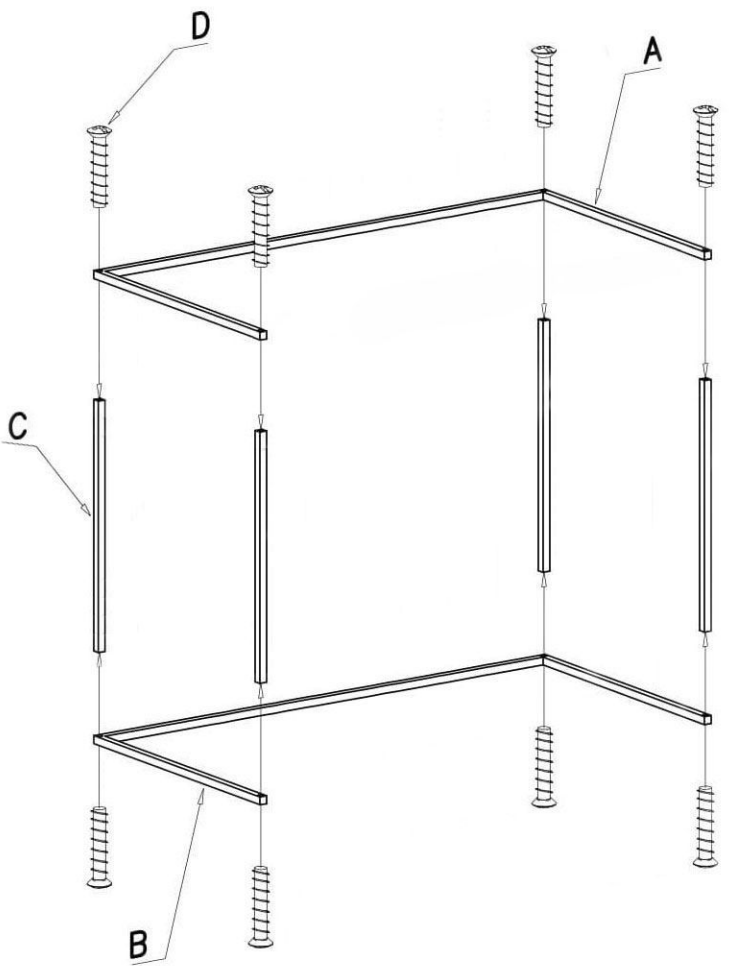
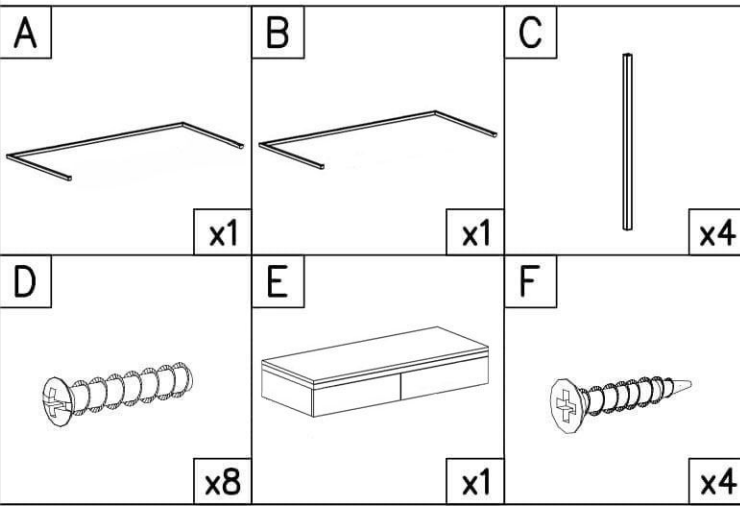
4



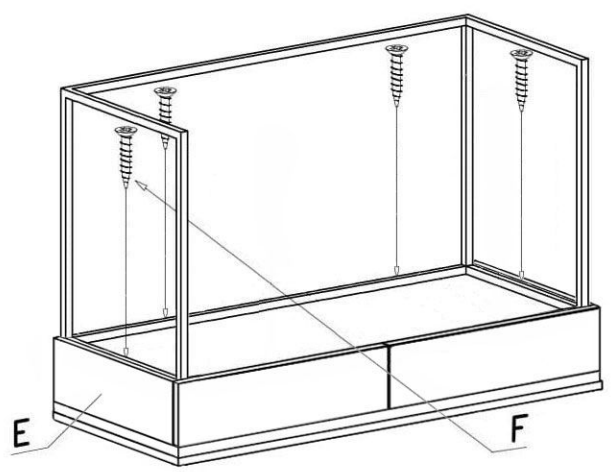




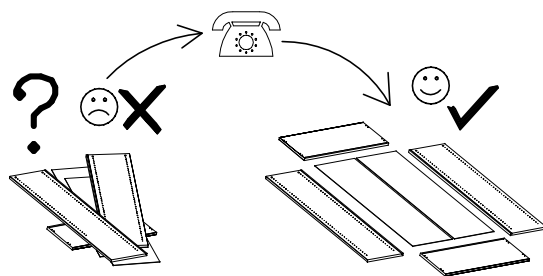
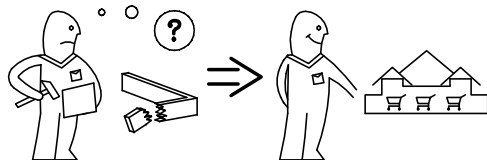
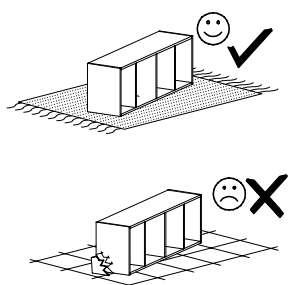
1



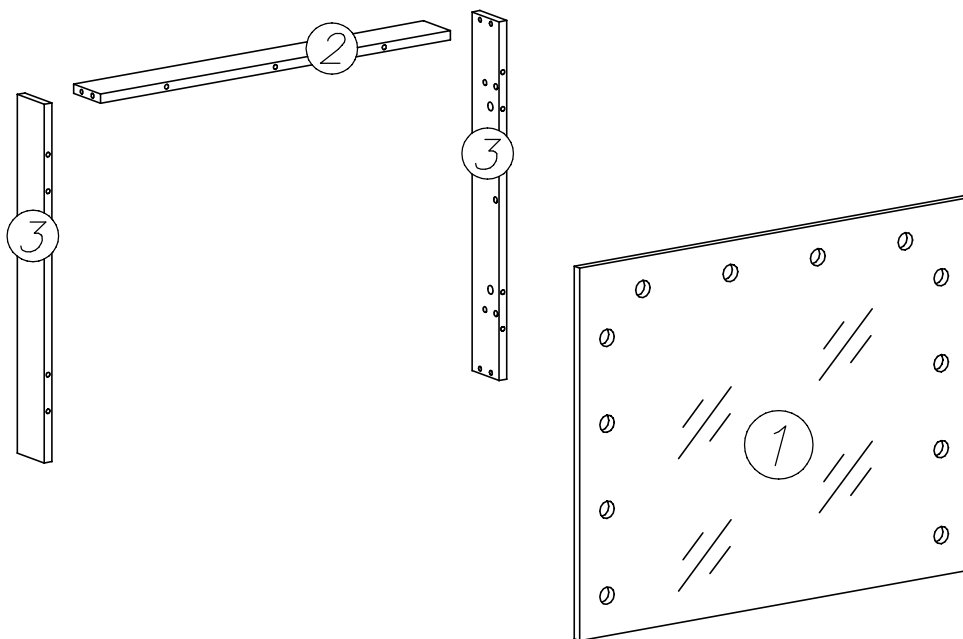
2



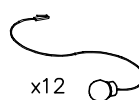




nr	L[mm]	B[mm]	T[mm]	Menge	Colli
1	650	800	20	1	1/1
2	720	79	16	1	1/1
3	626	79	16	2	1/1

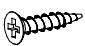


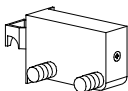
W20

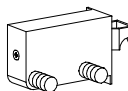



x12


x...(1)

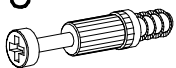
G34   
3,5x16 x...(1)


U9L   
x...(1)

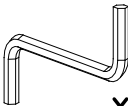
U9R   
x...(1)

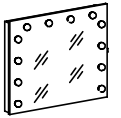
I7   
Ø18 x...(5)

K1   
Ø15x12 x...(5)

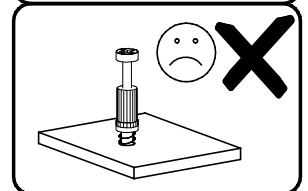
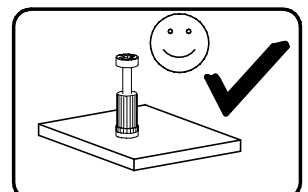
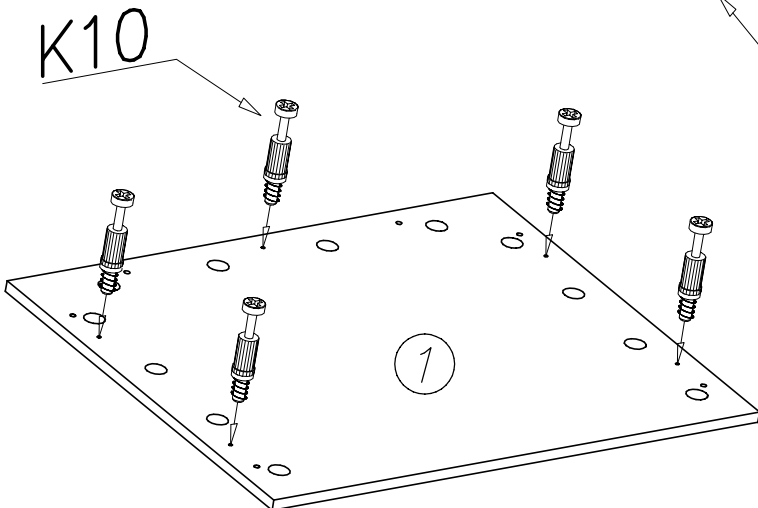
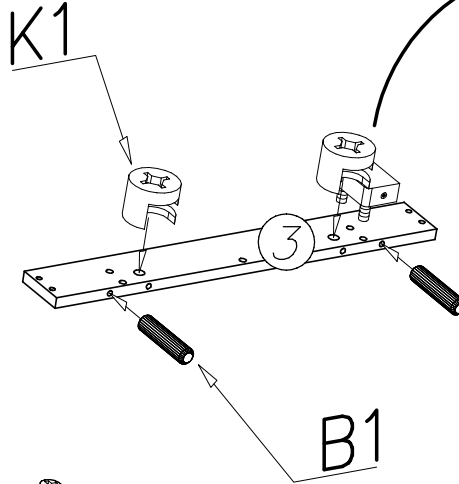
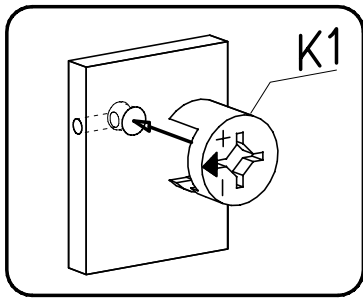
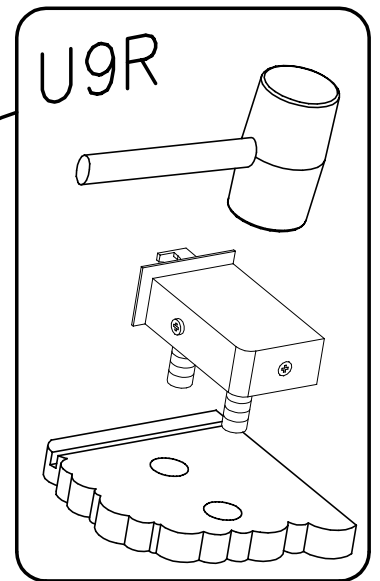
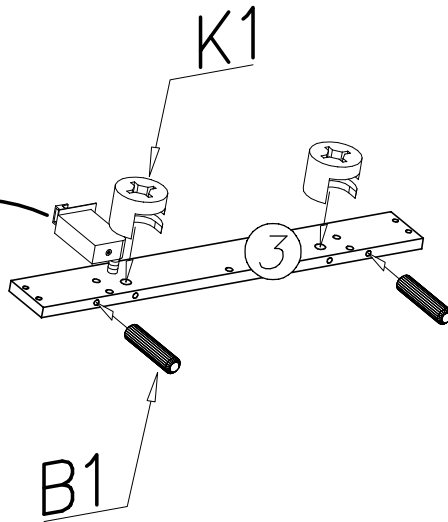
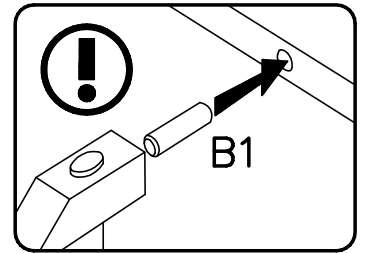
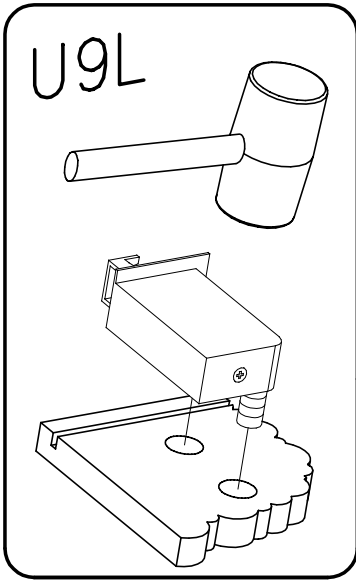
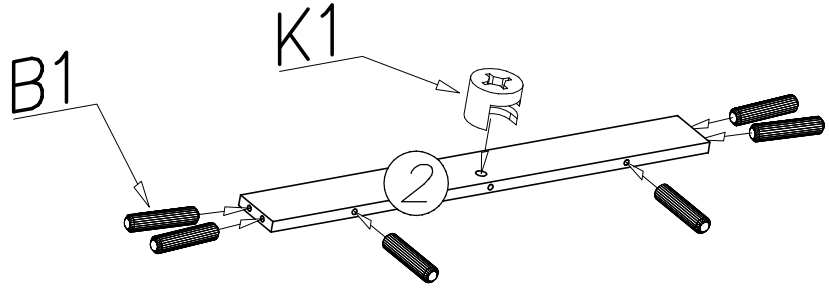
K10   
x...(5)

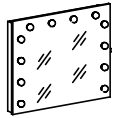
B1   
Ø8x35 x...(10)

W2   
x...(1)

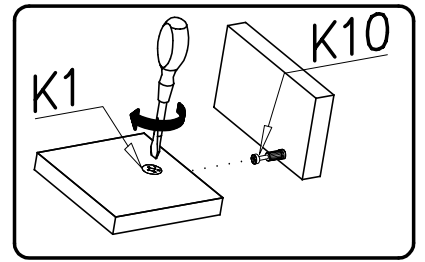
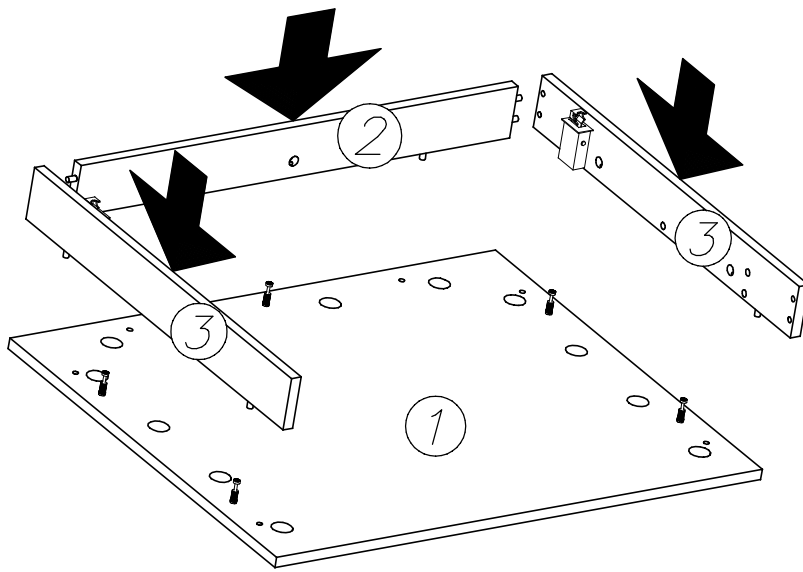


I

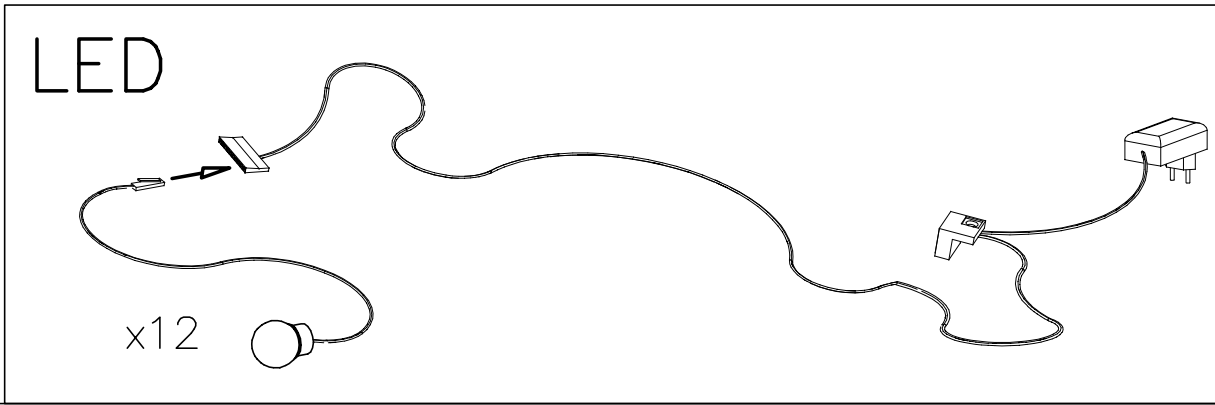
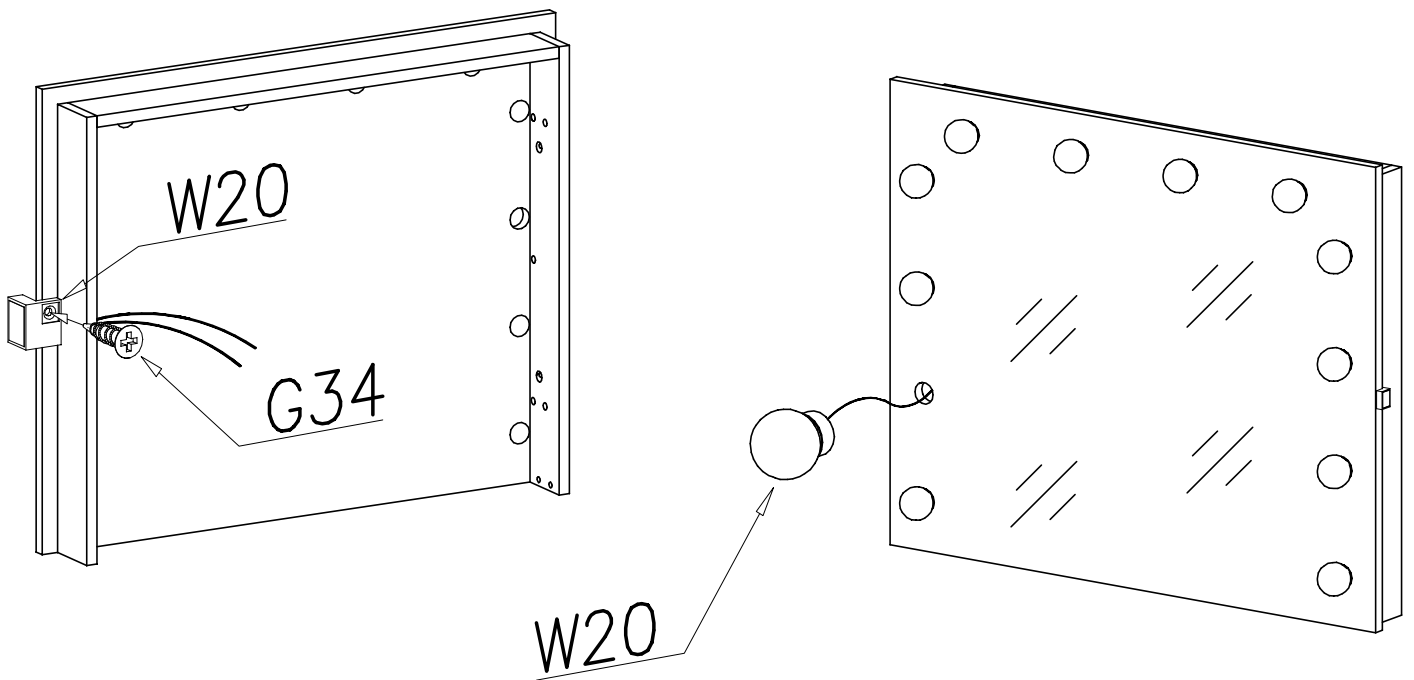


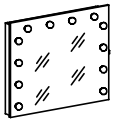


II

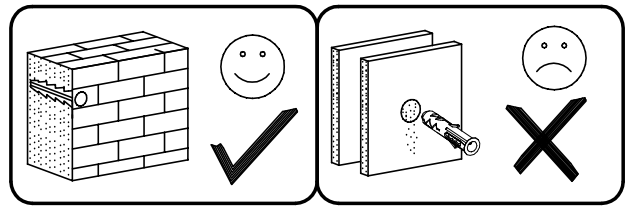
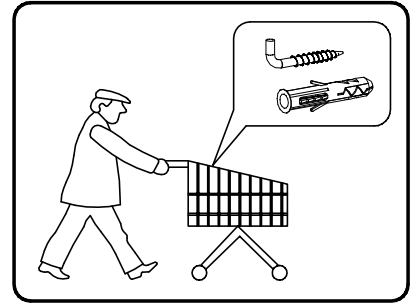
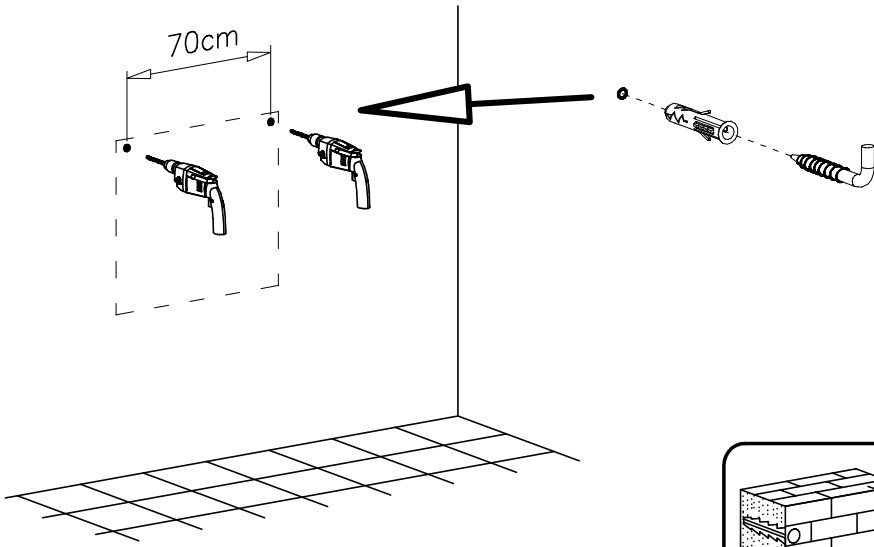


III





# IV



# V

