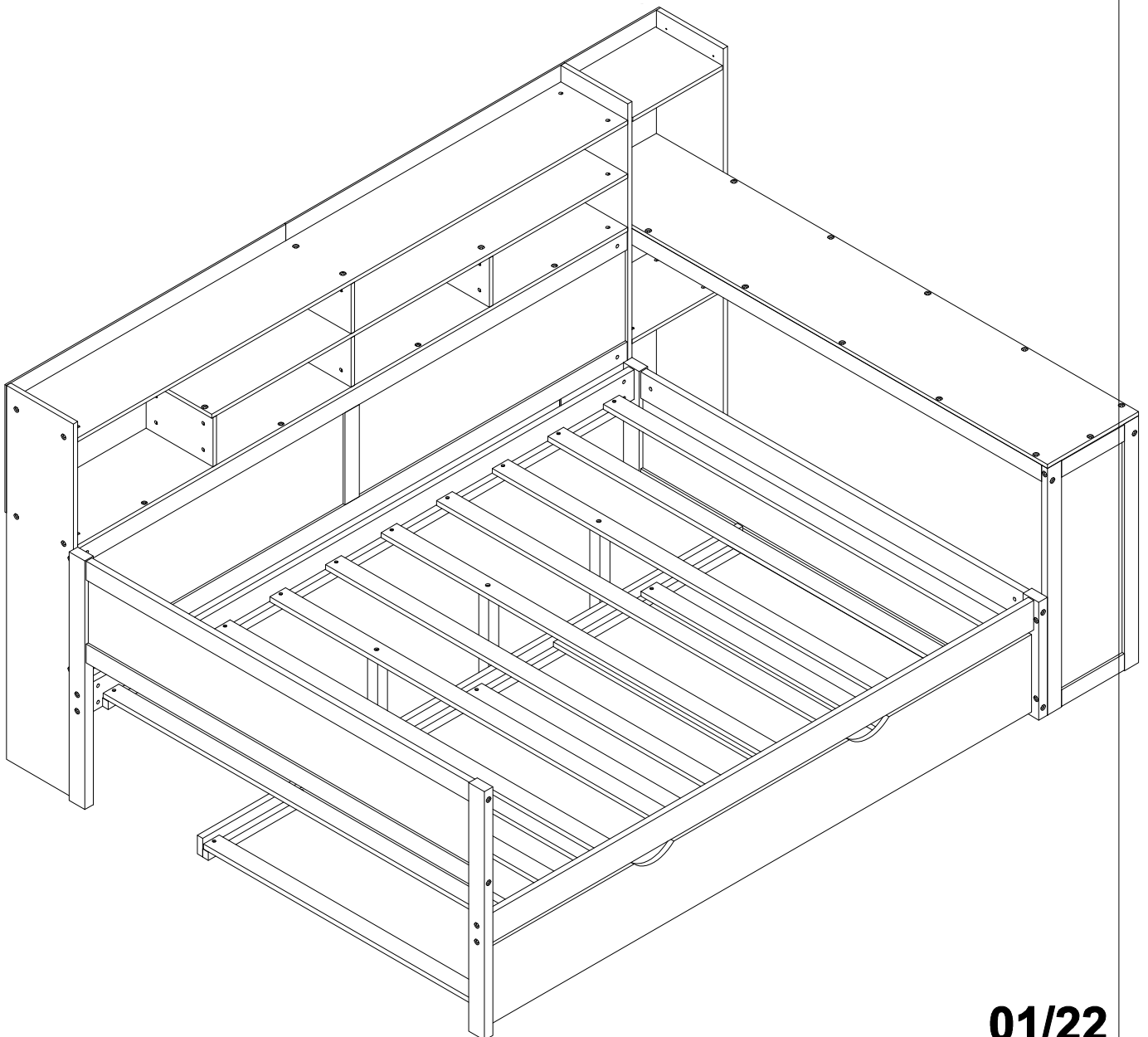


ASSEMBLY INSTRUCTION

Warning: You must read this before continuing

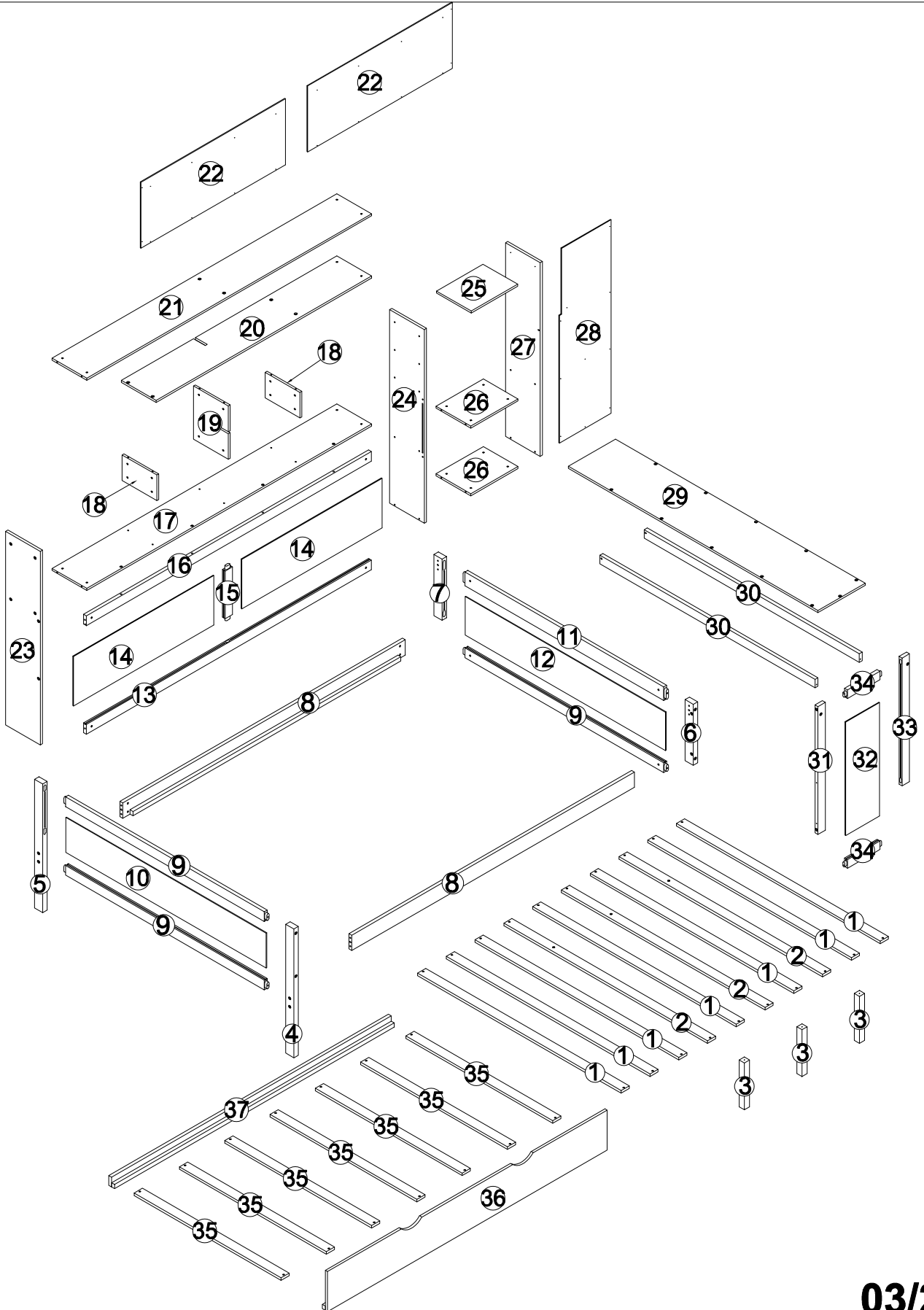
This set is included 2 boxes if don't receive full 2 boxes please contact our customer service team







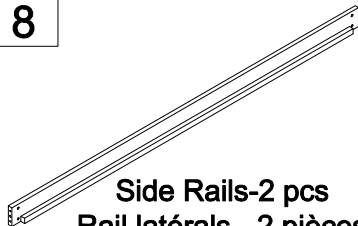
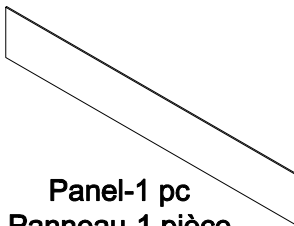
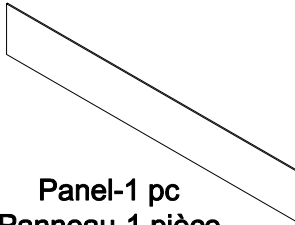
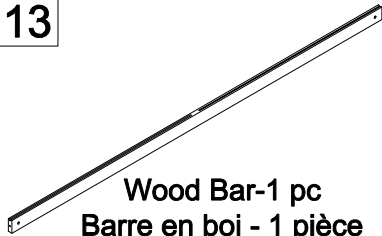
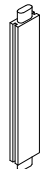
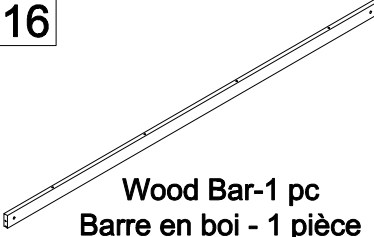
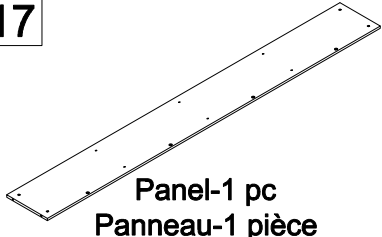
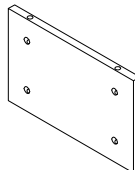
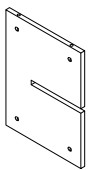
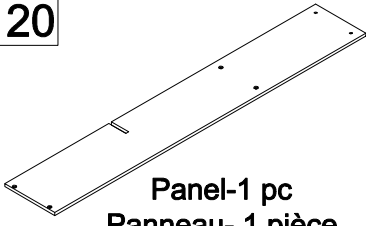
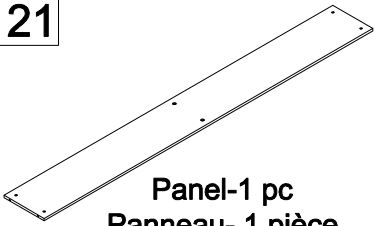


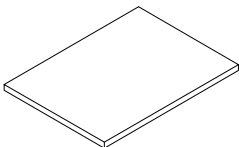
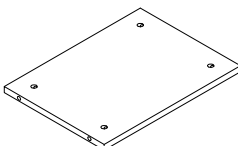

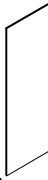
SAFETY WARNINGS AND GENERAL NOTES:

1. Do not use substitute parts. Contact the manufacturer or dealer for replacement parts.
2. Keep these instructions for future reference.
3. We recommend assembling your bed on the shipping carton to protect your floor.
4. Be certain all staples are out of the box before beginning assembly on the shipping carton.

ASSEMBLY INSTRUCTION

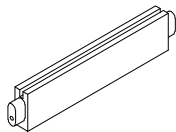


Part List

<p>4</p>  <p>Leg-1 pc Jambe-1 pièce</p>	<p>5</p>  <p>Leg-1 pc Jambe-1 pièce</p>	<p>6</p>  <p>Leg-1 pc Jambe-1 pièce</p>
<p>7</p>  <p>Leg-1 pc Jambe-1 pièce</p>	<p>8</p>  <p>Side Rails-2 pcs Rail latéraux - 2 pièces</p>	<p>10</p>  <p>Panel-1 pc Panneau-1 pièce</p>
<p>12</p>  <p>Panel-1 pc Panneau-1 pièce</p>	<p>13</p>  <p>Wood Bar-1 pc Barre en bois - 1 pièce</p>	<p>15</p>  <p>Wood Bar-1 pc Barre en bois - 1 pièce</p>
<p>16</p>  <p>Wood Bar-1 pc Barre en bois - 1 pièce</p>	<p>17</p>  <p>Panel-1 pc Panneau-1 pièce</p>	<p>18</p>  <p>Panels-2 pcs Panneaux-2 pièces</p>
<p>19</p>  <p>Panel-1 pc Panneau- 1 pièce</p>	<p>20</p>  <p>Panel-1 pc Panneau- 1 pièce</p>	<p>21</p>  <p>Panel-1 pc Panneau- 1 pièce</p>
<p>23</p>  <p>Panel-1 pc Panneau- 1 pièce</p>	<p>24</p>  <p>Panel-1 pc Panneau- 1 pièce</p>	<p>25</p>  <p>Panel-1 pc Panneau- 1 pièce</p>
<p>26</p>  <p>Panels-2 pcs Panneaux- 2 pièces</p>	<p>27</p>  <p>Panel-1 pc Panneau- 1 pièce</p>	<p>32</p>  <p>Table Panel -1 pc Panneau de table - 1 pièce</p>

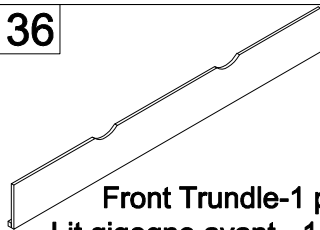
Part List

34



Wood Bars-2 pcs
Barre en bois - 2 pièces

36



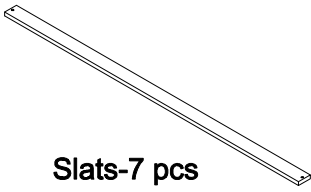
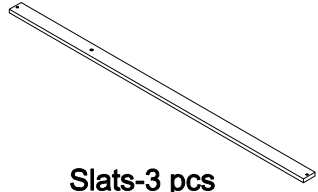


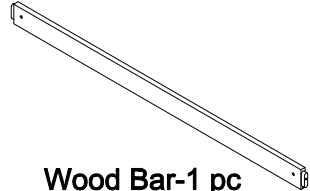
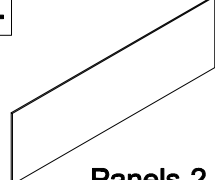
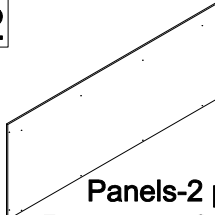

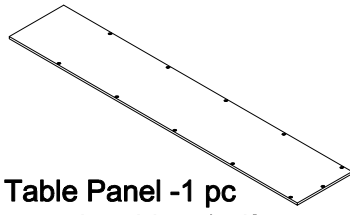



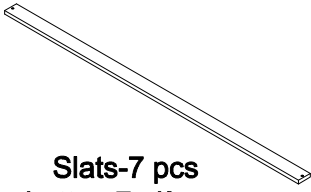
Front Trundle-1 pc
Lit gigogne avant - 1 pièce

37

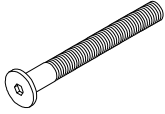

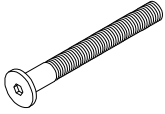
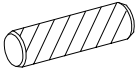
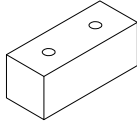
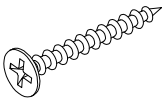
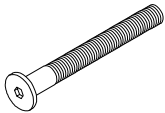
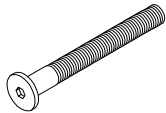
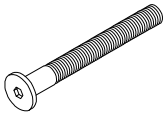
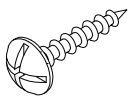
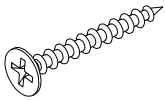
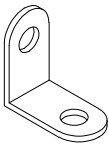


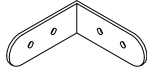
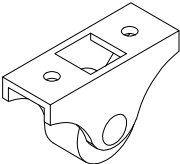
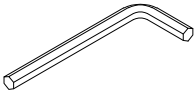


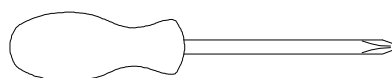
Back Trundle-1 pc
Lit gigogne arrière-1 pièce

Part List

<p>1</p>  <p>Slats-7 pcs Lattes-7 pièces</p>	<p>2</p>  <p>Slats-3 pcs Lattes-3 pièces</p>	<p>3</p>  <p>Support Slats-3 pcs Lattes de support - 3 pièces</p>
<p>9</p>  <p>Wood Bars-3 pcs Barre en bois - 3 pièces</p>	<p>11</p>  <p>Wood Bar-1 pc Barre en boi - 1 pièce</p>	<p>14</p>  <p>Panels-2 pcs Panneaus-2 pièces</p>
<p>22</p>  <p>Panels-2 pcs Panneaus- 2 pièces</p>	<p>28</p>  <p>Panel-1 pc Panneau- 1 pièce</p>	<p>29</p>  <p>Table Panel -1 pc Panneau de table - 1 pièce</p>
<p>30</p>  <p>Wood Bars-2 pcs Barre en bois - 2 pièces</p>	<p>31</p>  <p>Wood Bar-1 pc Barre en boi - 1 pièce</p>	<p>33</p>  <p>Wood Bar-1 pc Barre en boi - 1 pièce</p>
<p>35</p>  <p>Slats-7 pcs Lattes-7 pièces</p>		


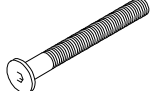
Hardware List

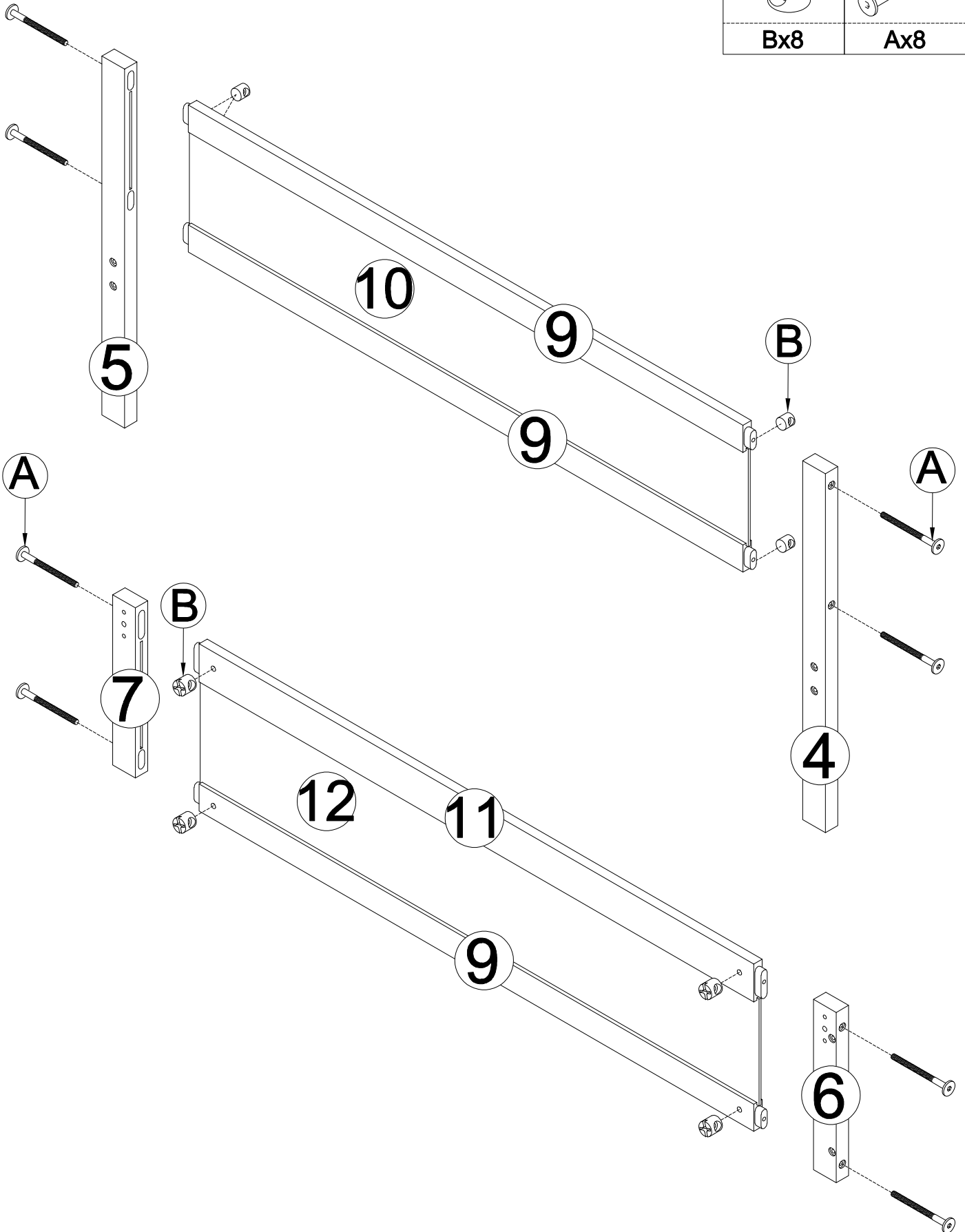
<p>A</p>  <p>Bolt Ø6x90 mm -8 pcs Boulon Ø6x90 mm -8 pièces</p>	<p>B</p>  <p>Ø6 x 13 mm -50 pcs Ø6 x 13 mm -50 pièces</p>	<p>C</p>  <p>Bolt Ø6x70 mm -8 pcs Boulon Ø6x70 mm -8 pièces</p>
<p>D</p>  <p>Wood dowel Ø10 x 40 mm-4 pcs Cheville en bois Ø10 x 40 mm-4 pièces</p>	<p>E</p>  <p>Stop Drawer-2 pcs Butée de tiroir - 2 pièces</p>	<p>F</p>  <p>Screws Ø4 x 30 mm-49 pcs Vis Ø4 x 30 mm-49 pièces</p>
<p>G</p>  <p>Bolt Ø6x50 mm -15 pcs Boulon Ø6x50 mm -15 pièces</p>	<p>H</p>  <p>Bolt Ø6x30 mm -6 pcs Boulon Ø6x30 mm -6 pièces</p>	<p>K</p>  <p>Bolt Ø6x60 mm -22 pcs Boulon Ø6x60 mm -22 pièces</p>
<p>L</p>  <p>Screws Ø4 x 15 mm-54 pcs Vis Ø4 x 15 mm-54 pièces</p>	<p>M</p>  <p>Screws Ø3.5 x 12 mm-18 pcs Vis Ø3.5 x 12 mm-18 pièces</p>	<p>N</p>  <p>Steel Bracks-9 pcs Supports en acier - 9 pièces</p>
<p>P</p>  <p>Screws Ø6x80 mm -4 pcs Vis Ø6x80 mm -4 pièces</p>	<p>Q</p>  <p>Screws Ø6x50 mm -4 pcs Vis Ø6x50 mm -4 pièces</p>	<p>R</p>  <p>Steel Brackets(60x25x2)-3 pcs Supports en acier(60x25x2) - 3 pièces</p>
<p>T</p>  <p>Wheels (H=40mm)-4 pcs Roues (H=40mm)-4 pièces</p>	<p>W</p>  <p>Allen Key-1 pc Clé Allen-1 pièce</p>	



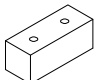
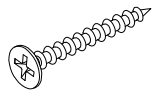
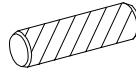
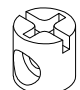
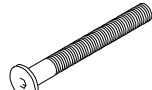
Assembly Tools Required (Not Included)
Outils d'assemblage requis (non inclus)

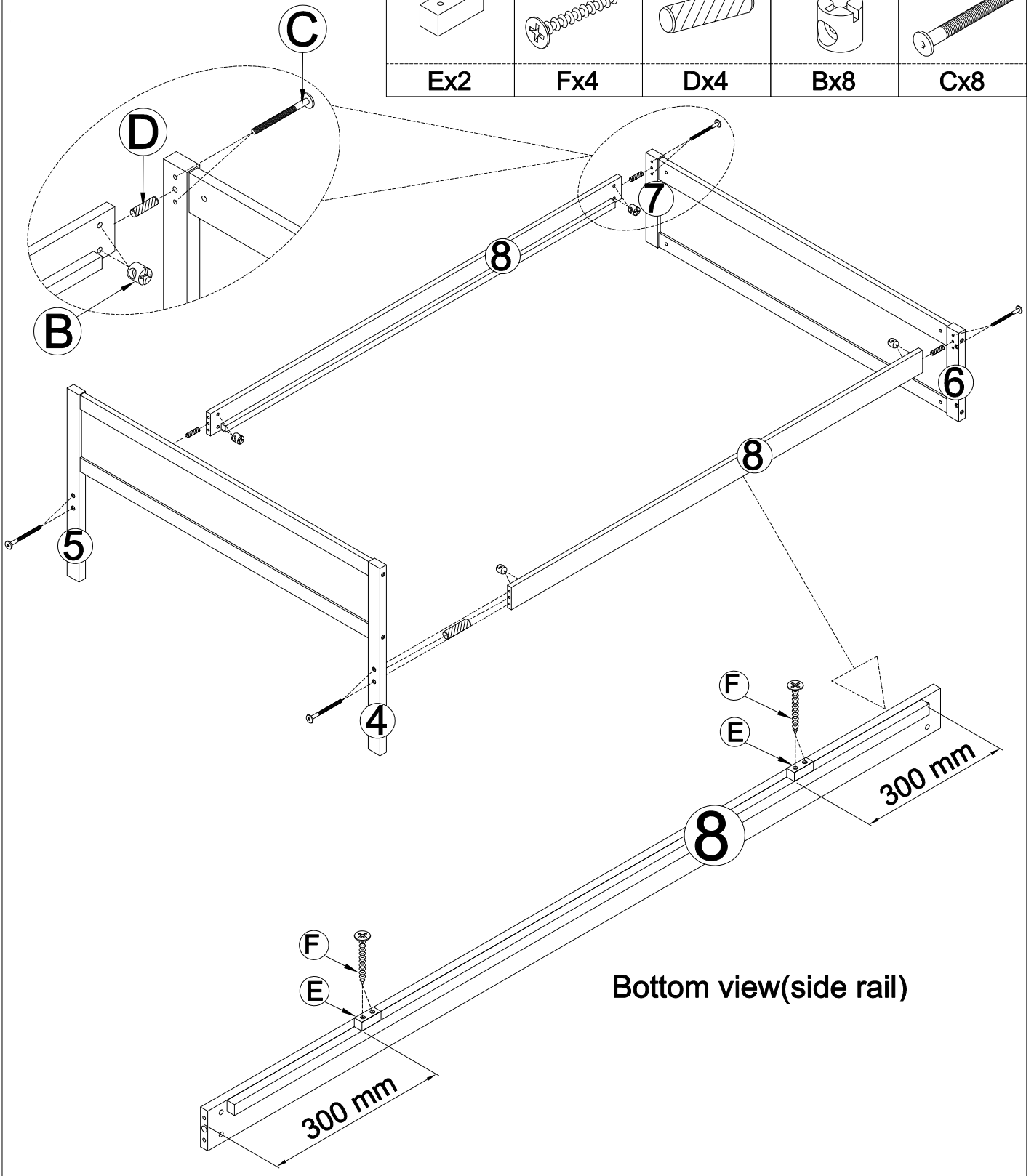
STEP 1:

$\text{\O}6 \times 13 \text{ mm}$	$\text{\O}6 \times 90 \text{ mm}$
	
Bx8	Ax8



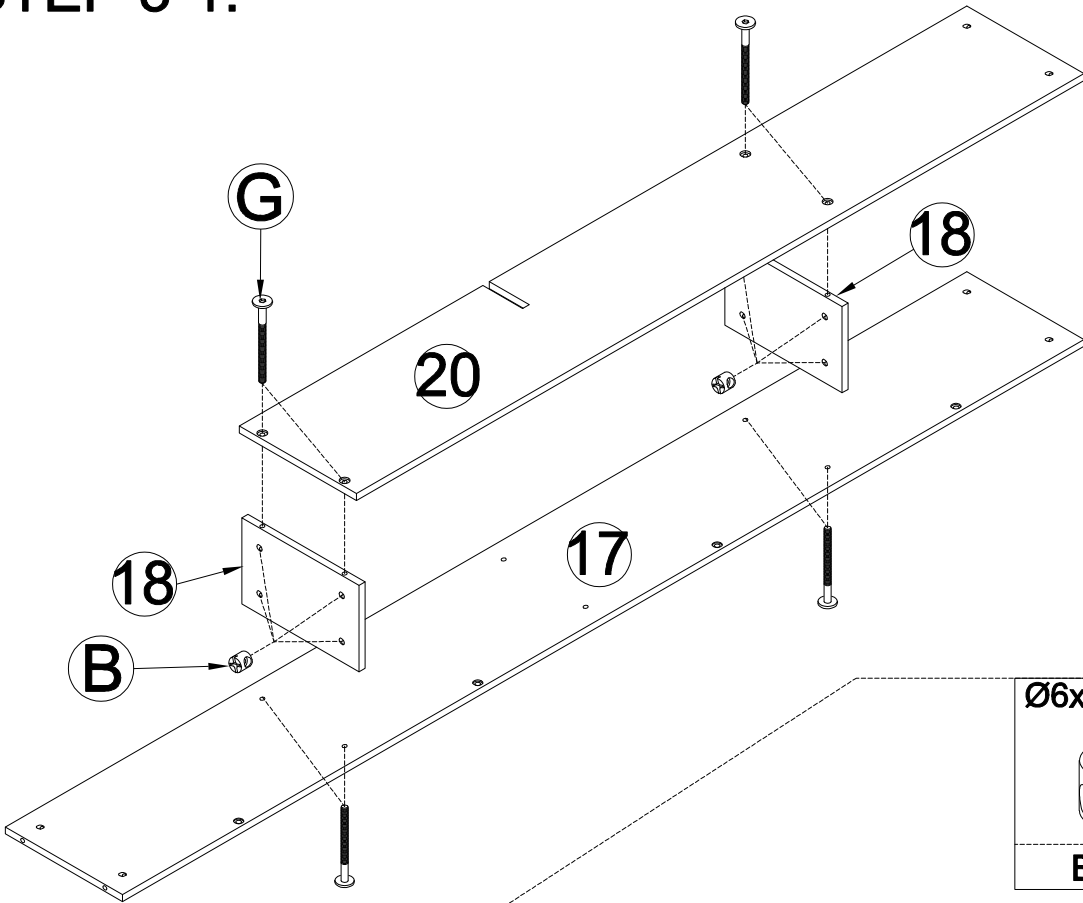
STEP 2:

	$\varnothing 4 \times 30$ mm 	$\varnothing 10 \times 40$ mm 	$\varnothing 6 \times 13$ mm 	$\varnothing 6 \times 70$ mm 
Ex2	Fx4	Dx4	Bx8	Cx8

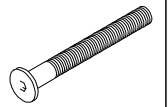


Bottom view(side rail)

STEP 3-1:



Ø6x50mm



Gx8

Ø6x13 mm



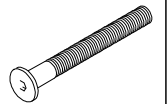
Bx8

Ø6x13 mm



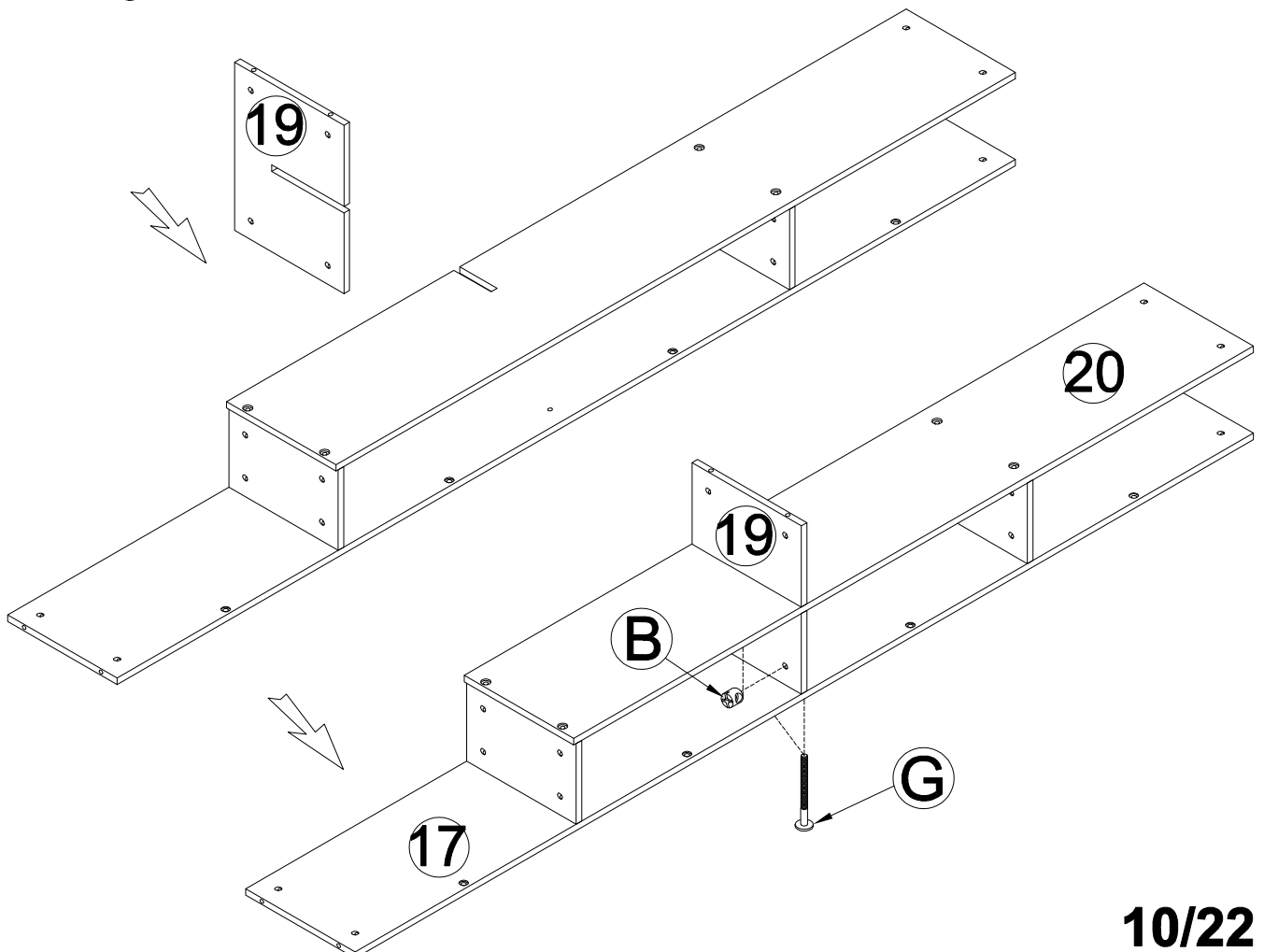
Bx2

Ø6x50mm

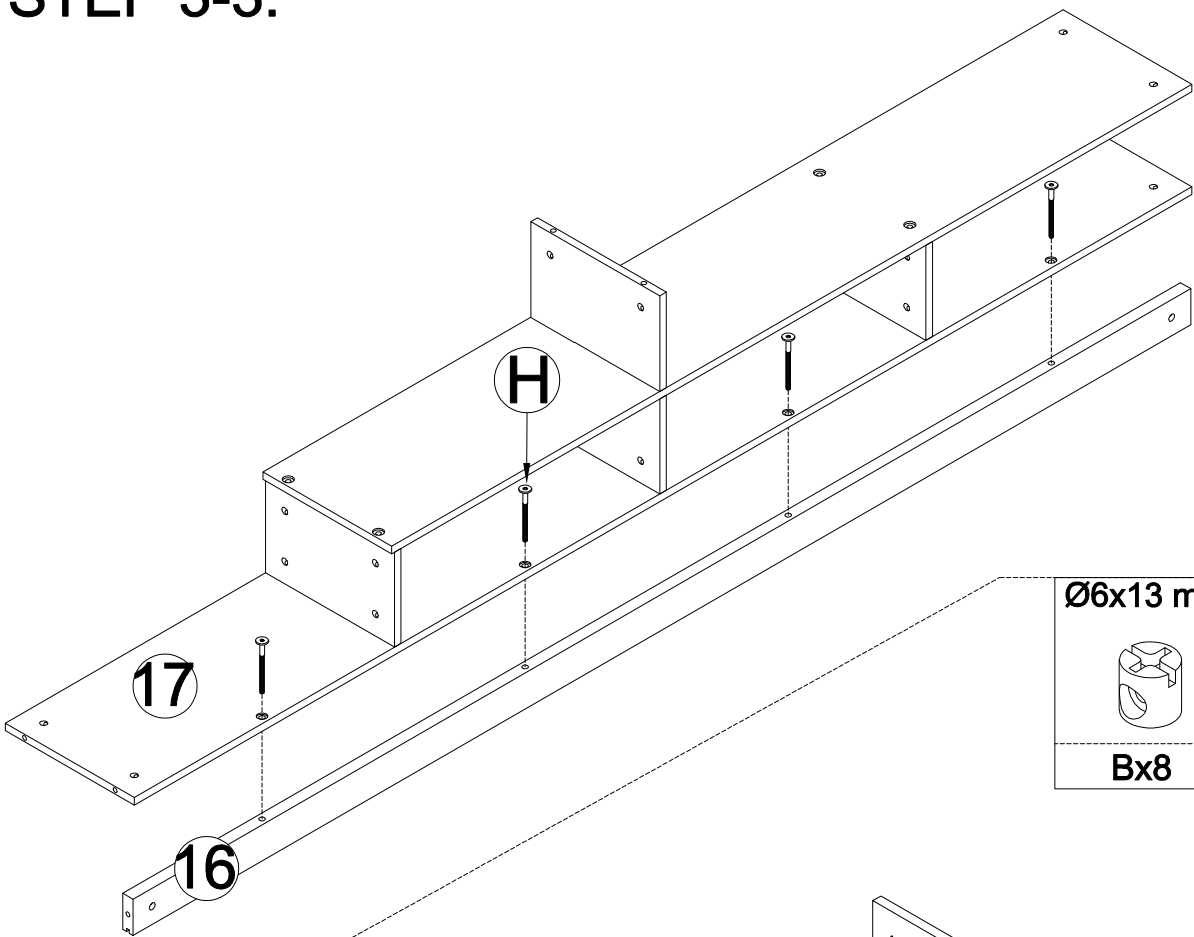


Gx2

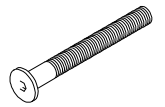
STEP 3-2:



STEP 3-3:



Ø6x30mm



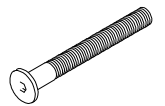
Hx4

Ø6x13 mm



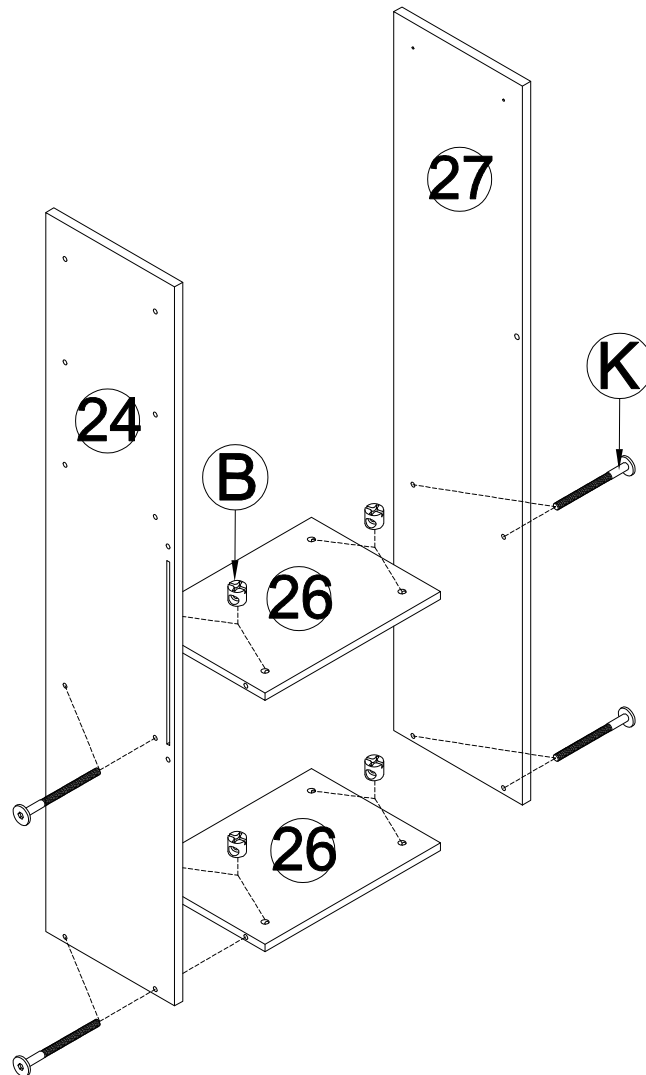
Bx8

Ø6x60mm

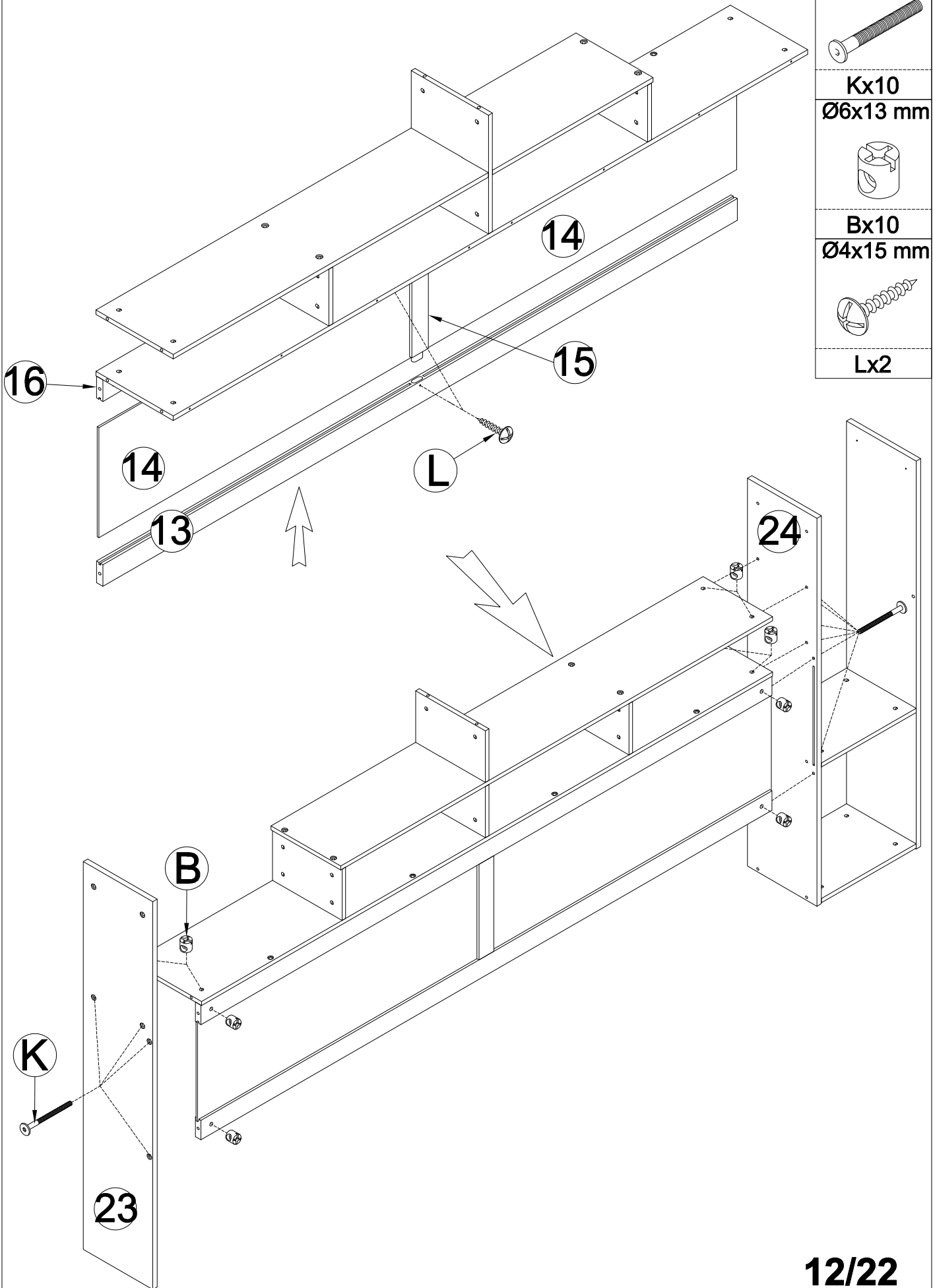


Kx8

STEP 3-4:



STEP 3-5:



STEP 3-6:

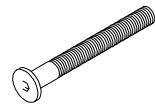
Ø6x13 mm

Ø6x50mm

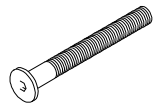
Ø6x60mm



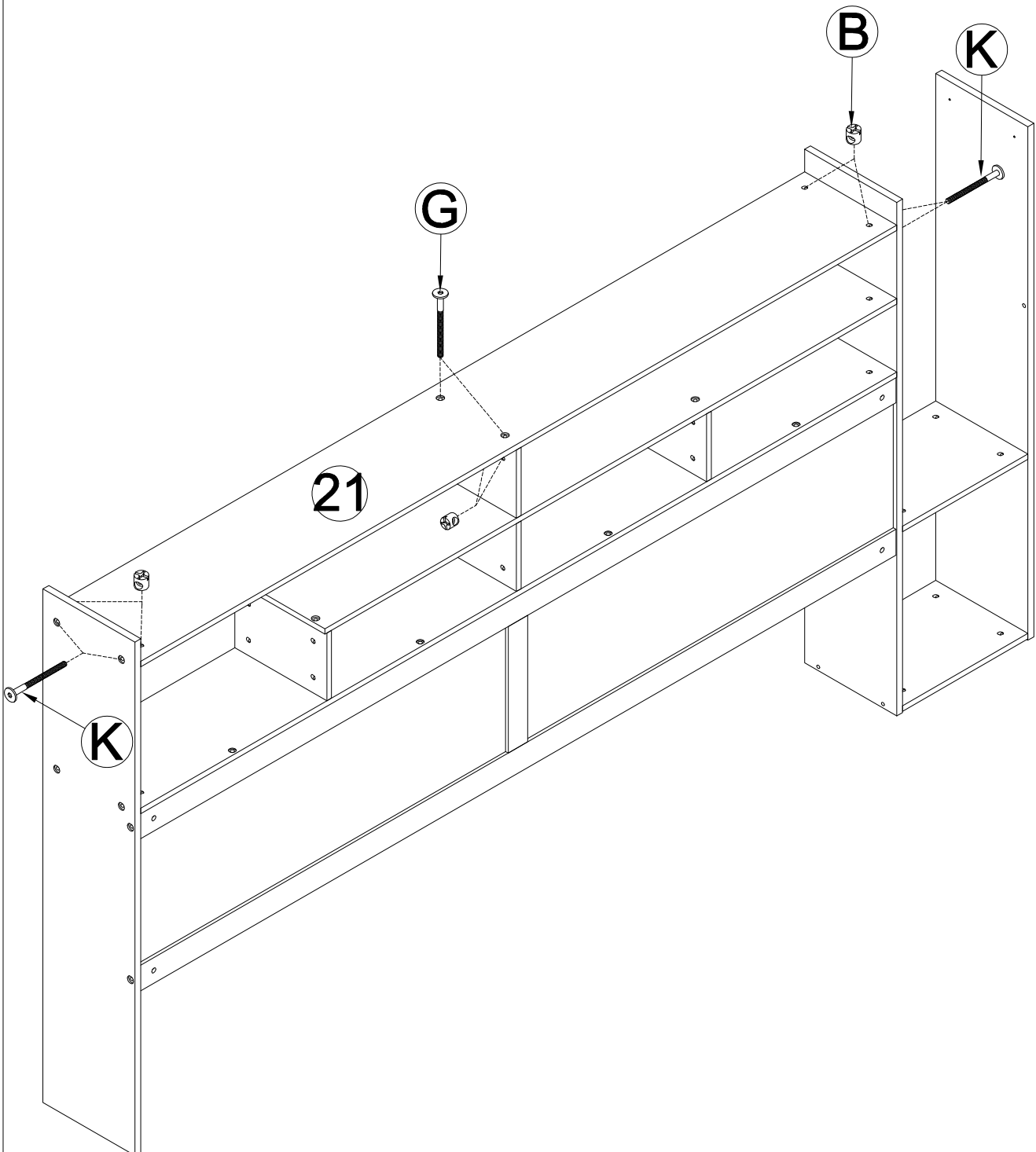
Bx6



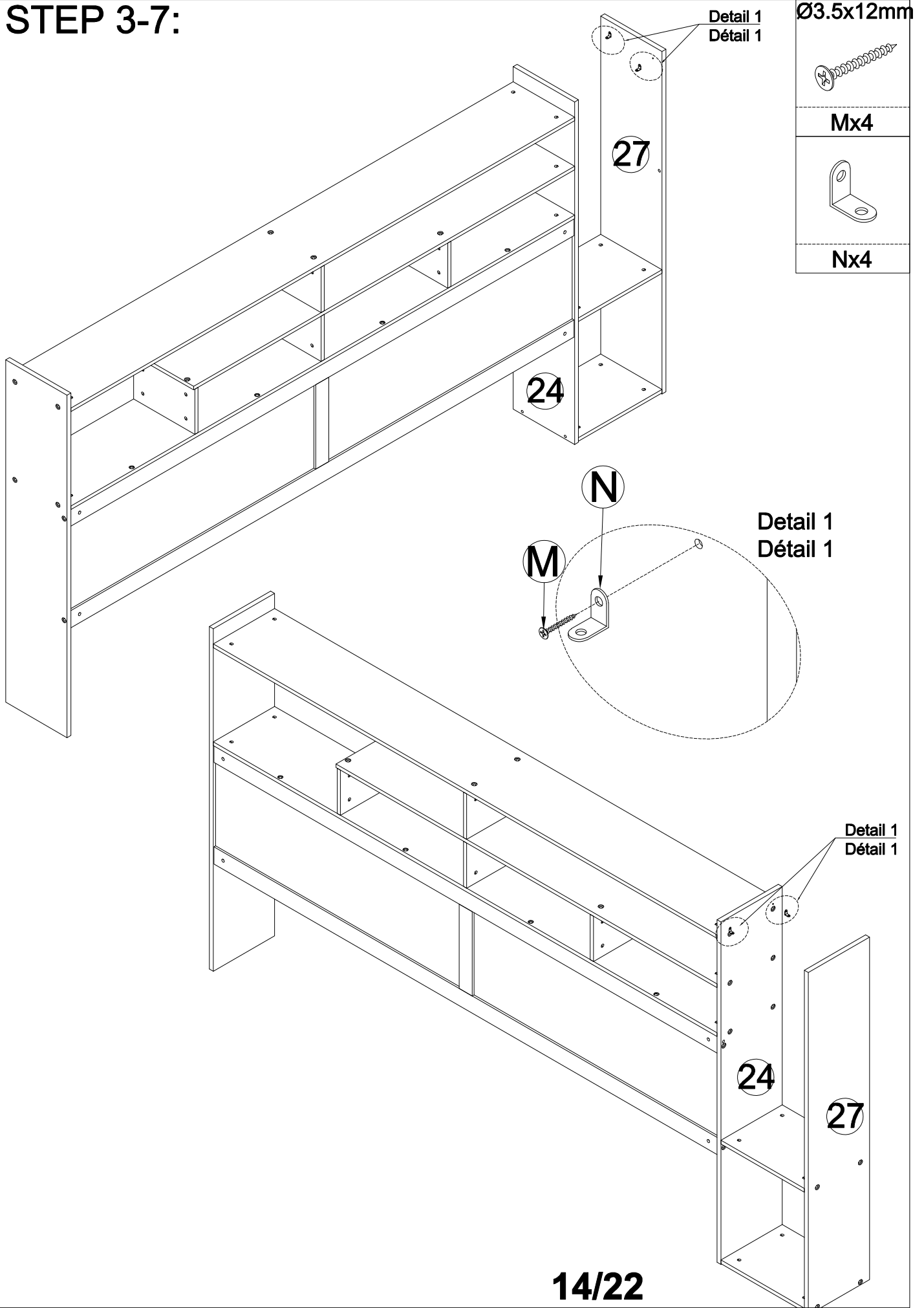
Gx2



Kx4

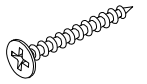


STEP 3-7:

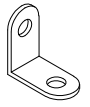


Detail 1
Détail 1

Ø3.5x12mm



Mx4



Nx4

27

24

N

M

Detail 1
Détail 1

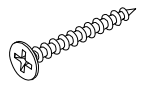
Detail 1
Détail 1

24

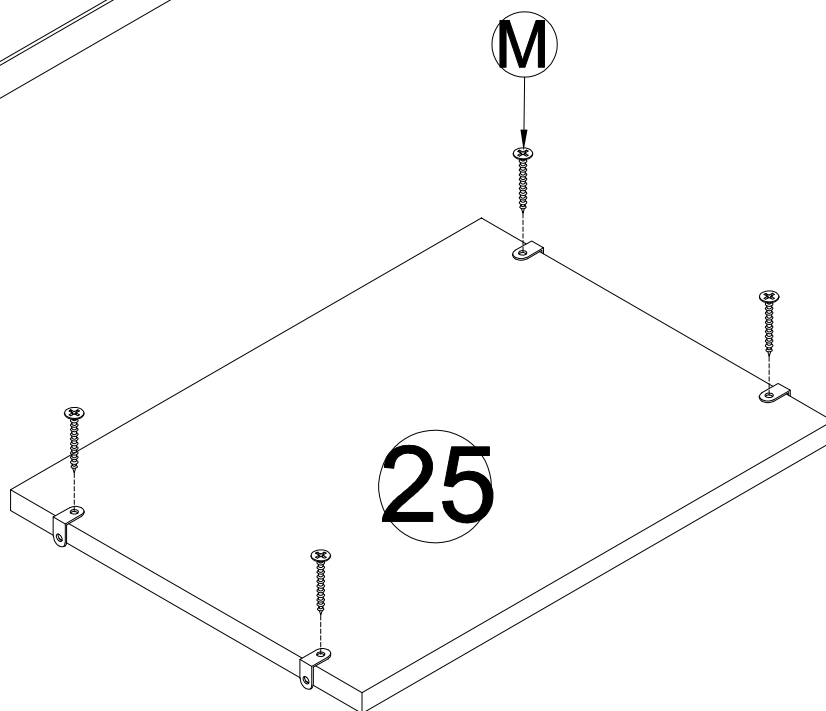
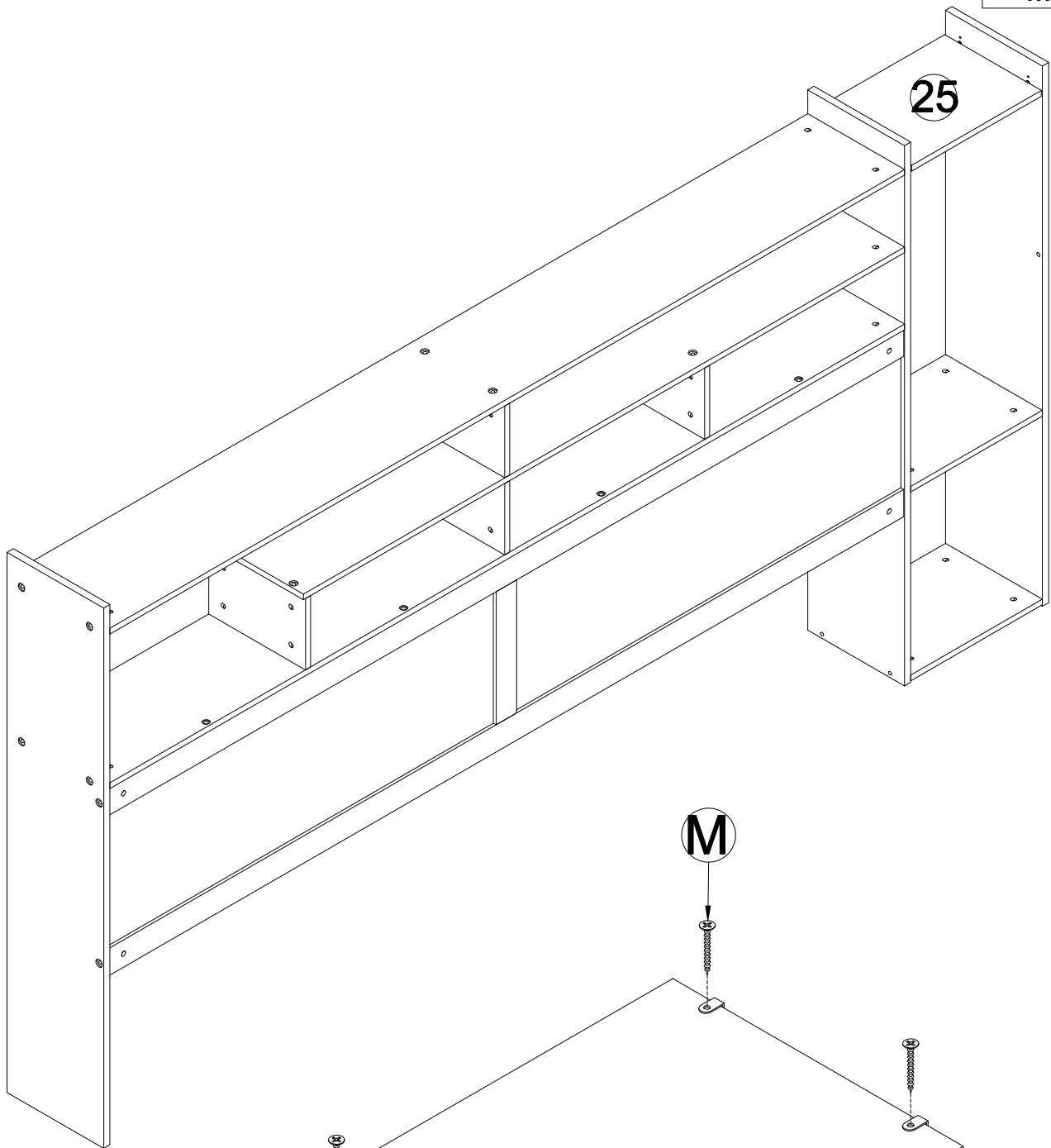
27

STEP 3-8:

Ø3.5x12mm

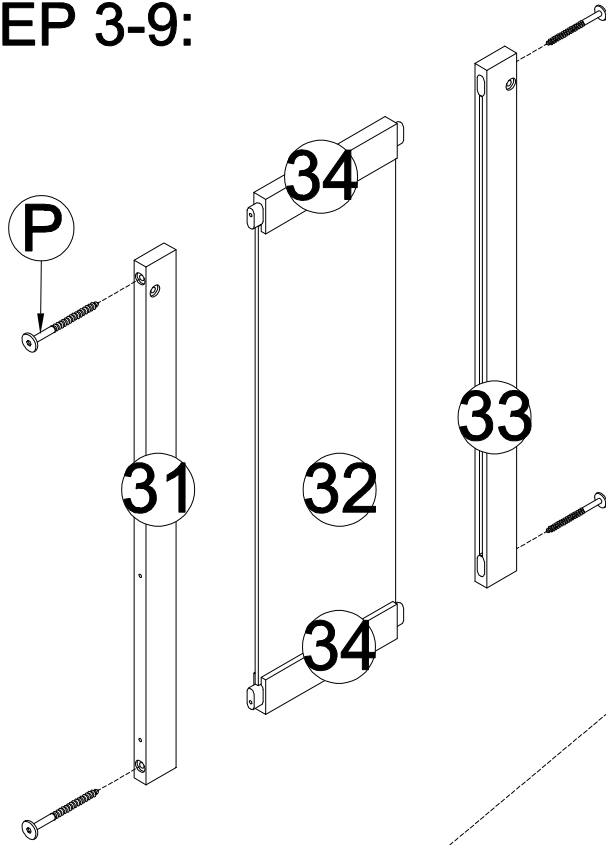


Mx4

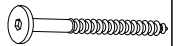


Bottom view

STEP 3-9:



Ø6x80 mm



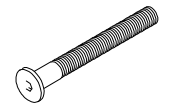
Px4

Ø6x50 mm



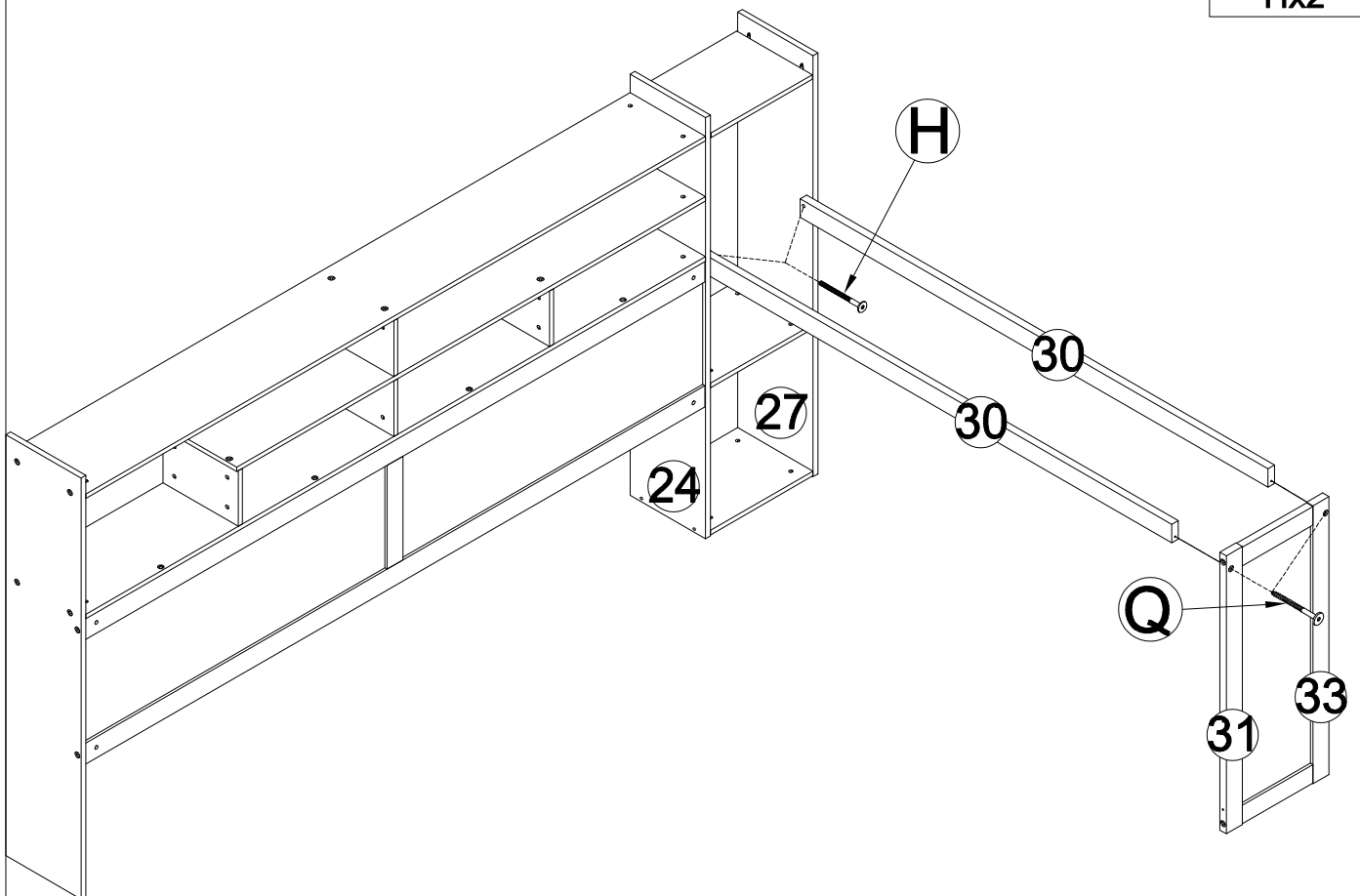
Qx2

Ø6x30mm

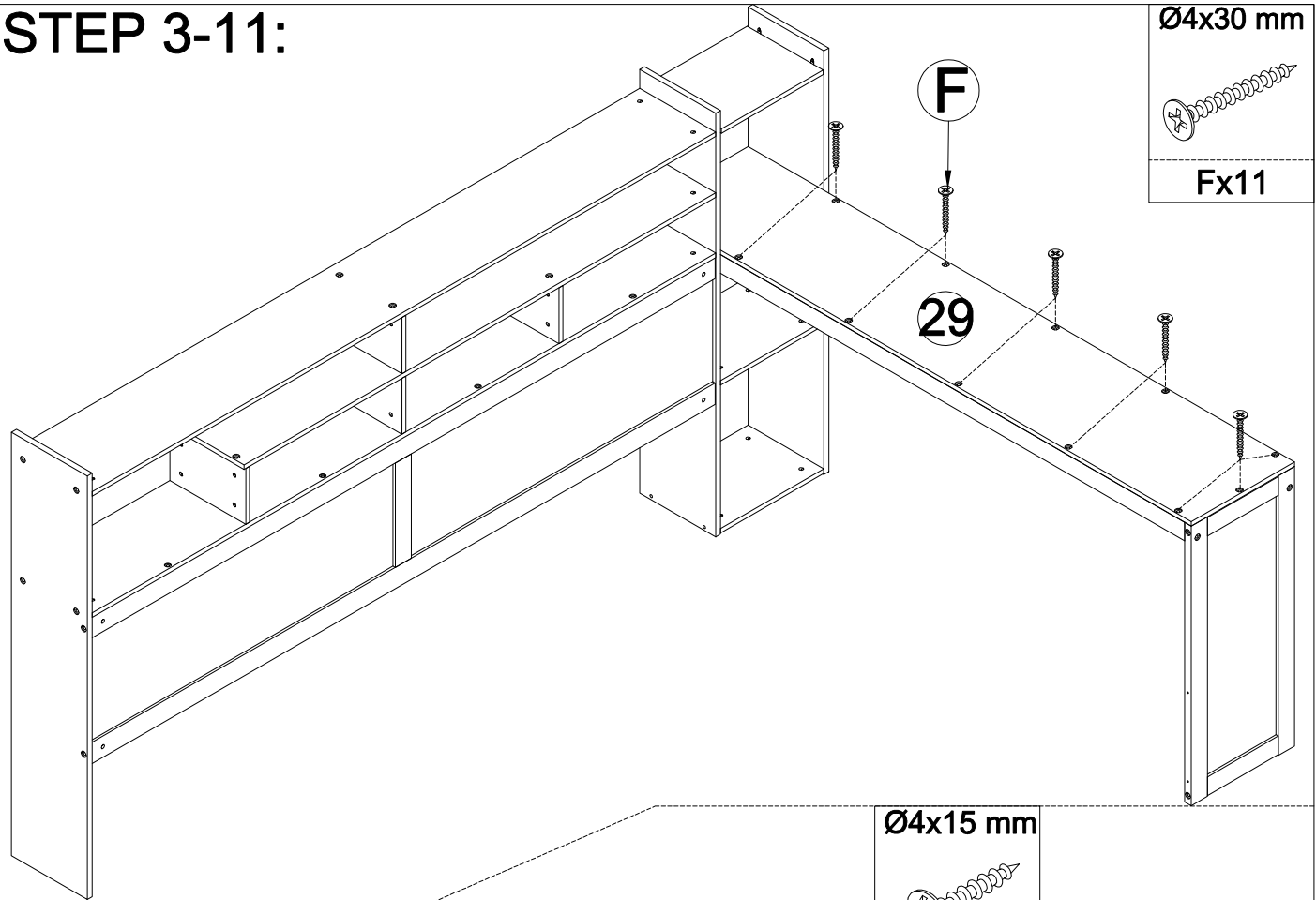


Hx2

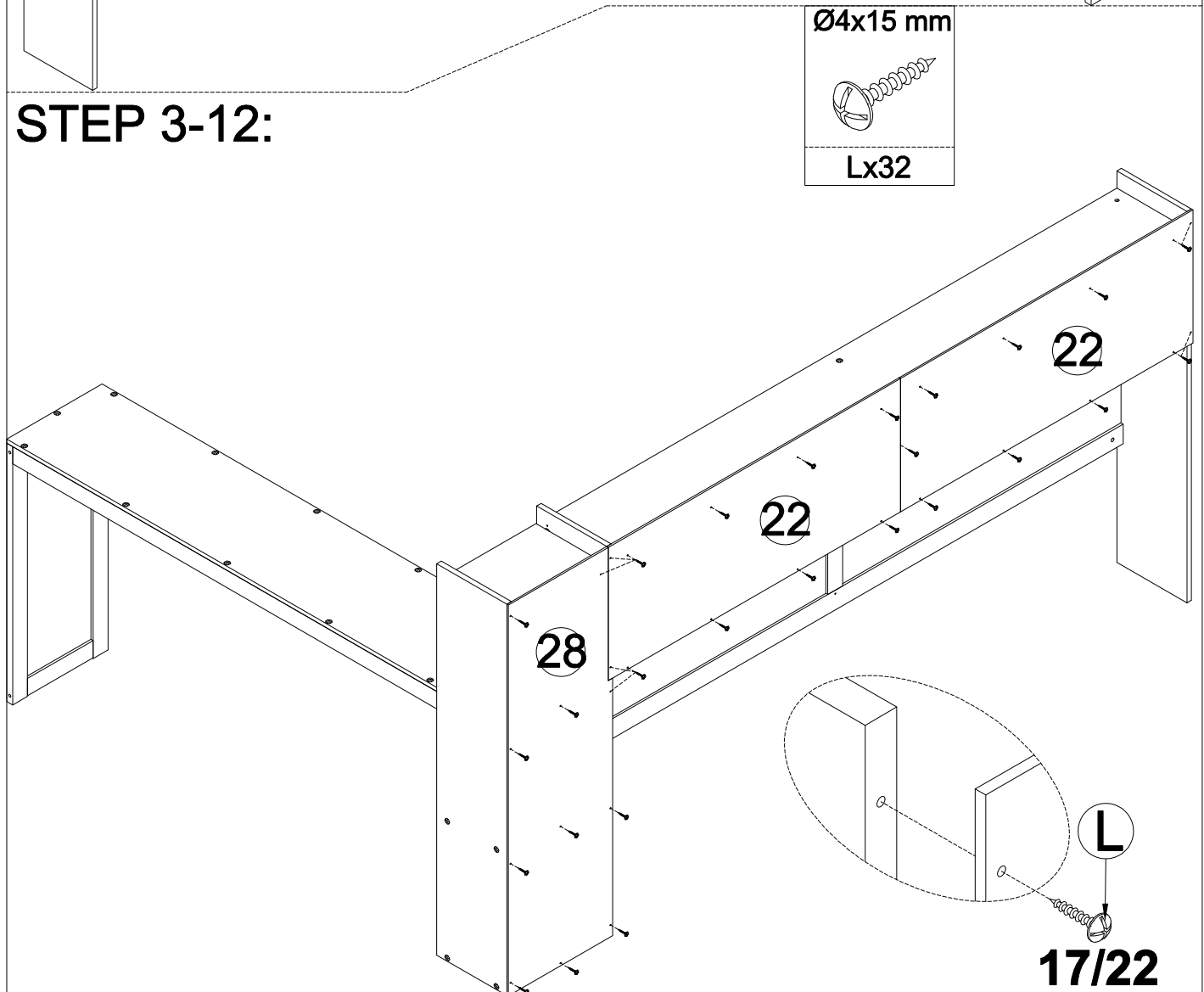
STEP 3-10:



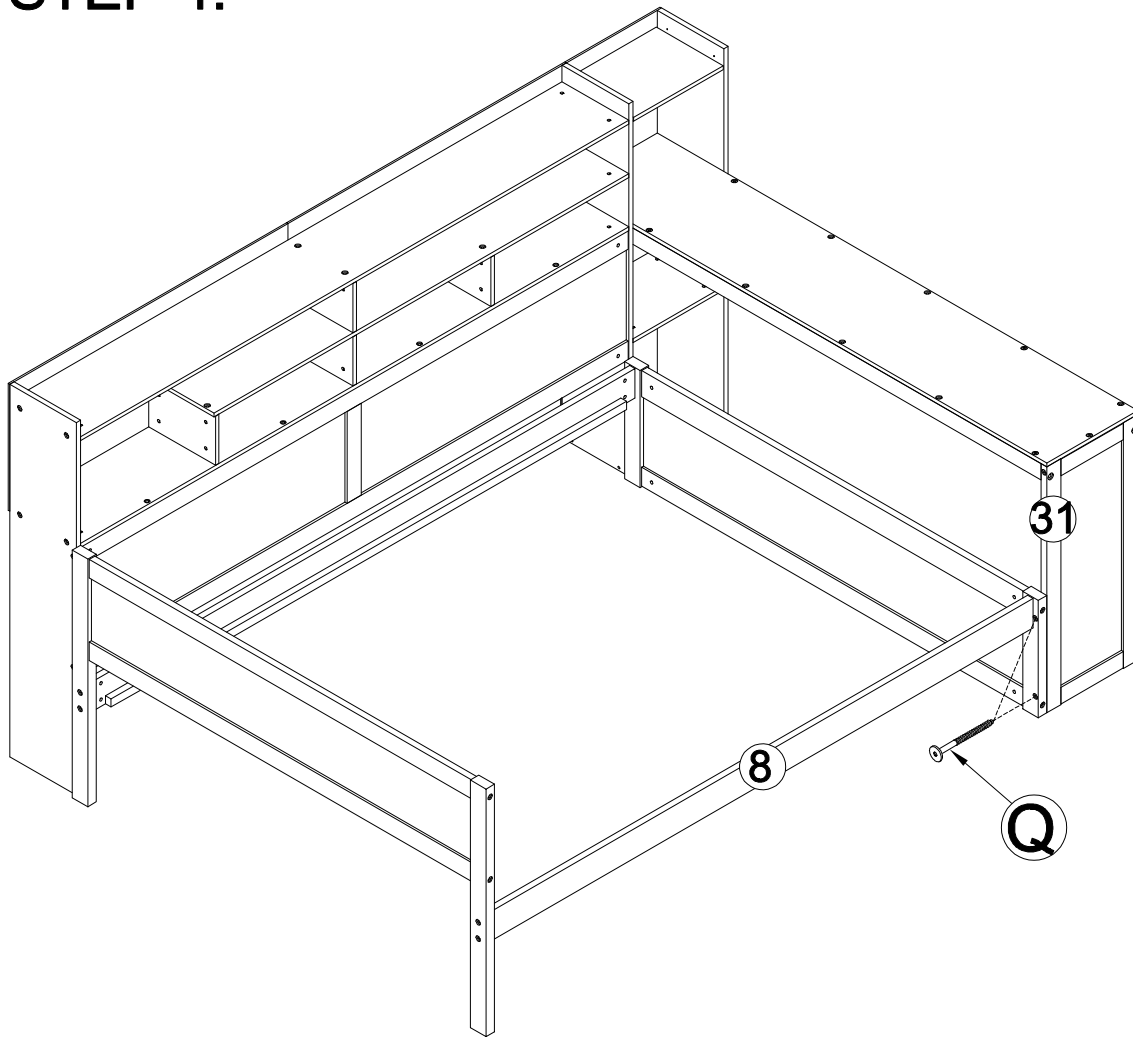
STEP 3-11:



STEP 3-12:



STEP 4:

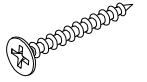


Ø6x50 mm

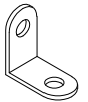


Qx2

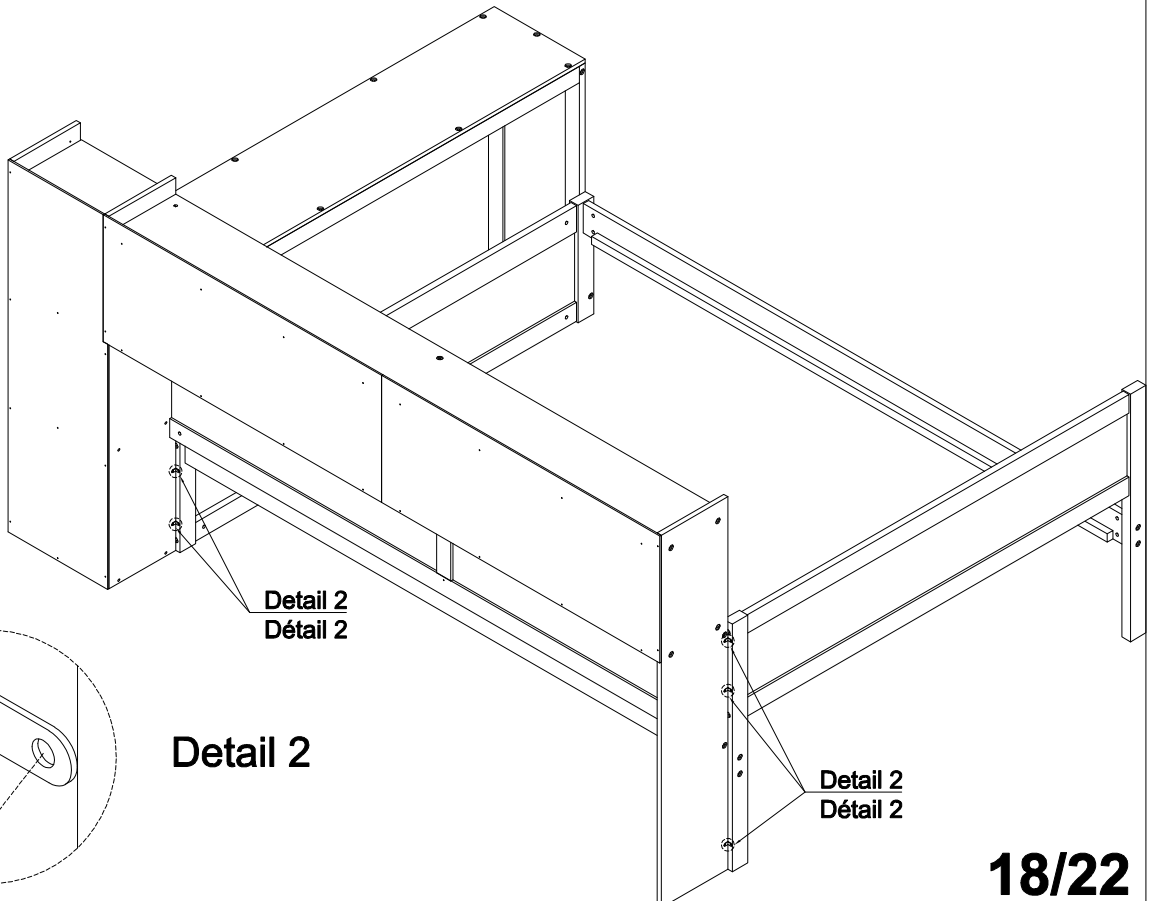
Ø3.5x12mm



Mx10



Nx5

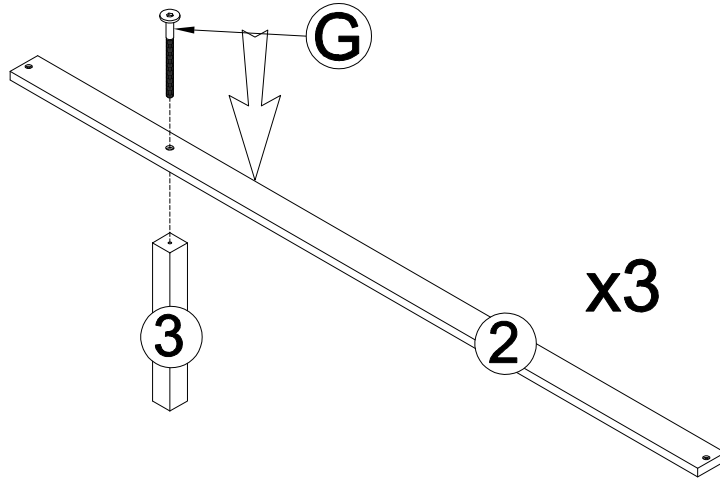


Detail 2
Détail 2

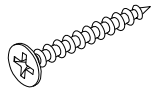
Detail 2

Detail 2
Détail 2

STEP 5:

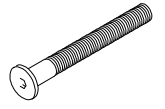


Ø4x30 mm

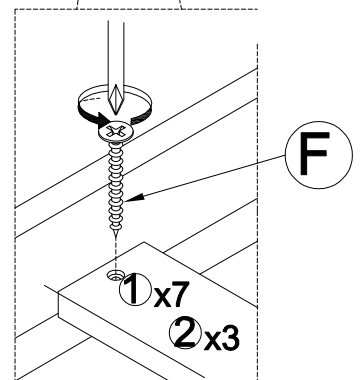
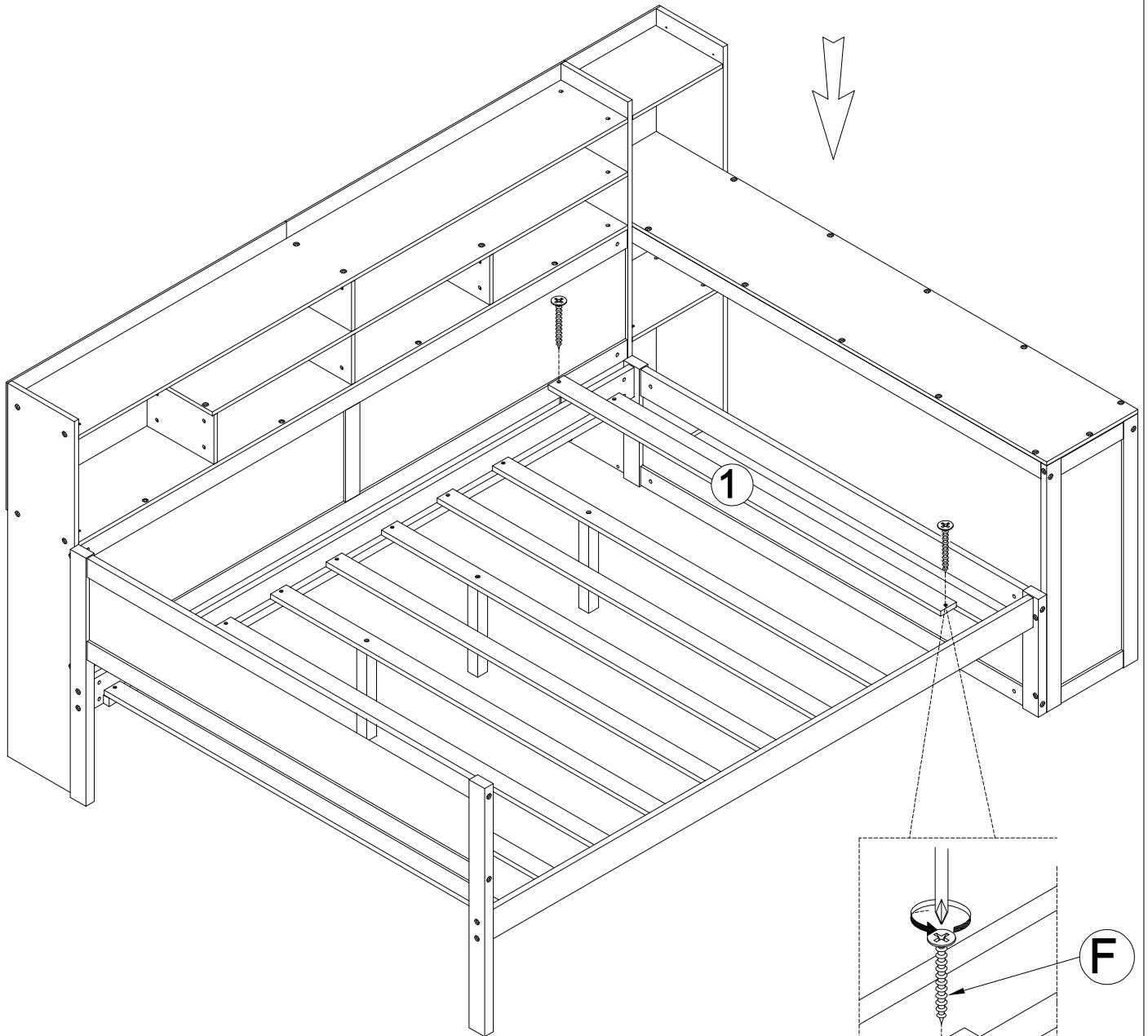


Fx20

Ø6x50mm



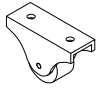
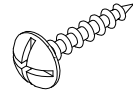
Gx3



STEP 6-1:

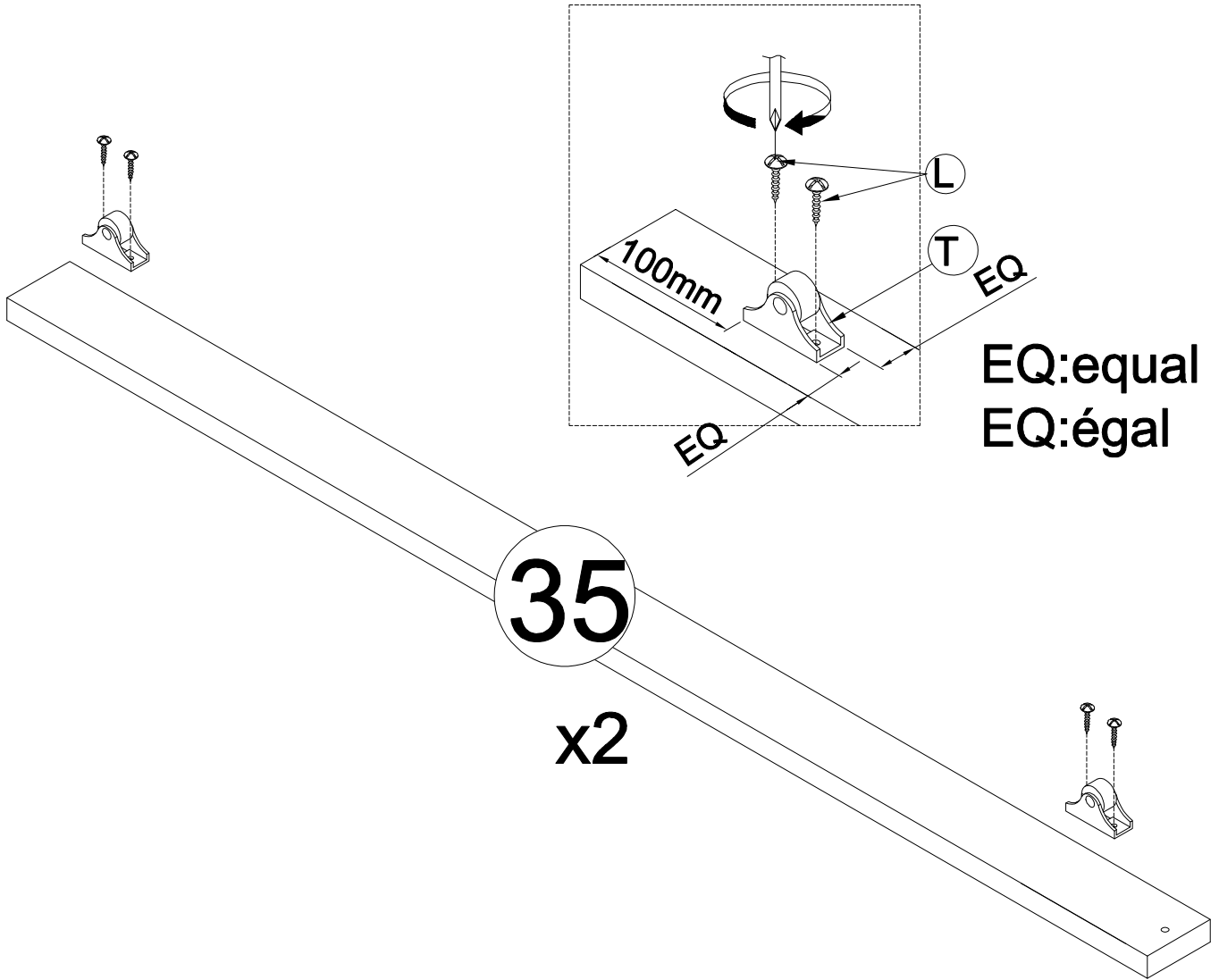
Ø4x15mm

H=40mm

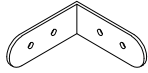
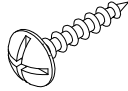
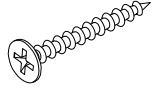


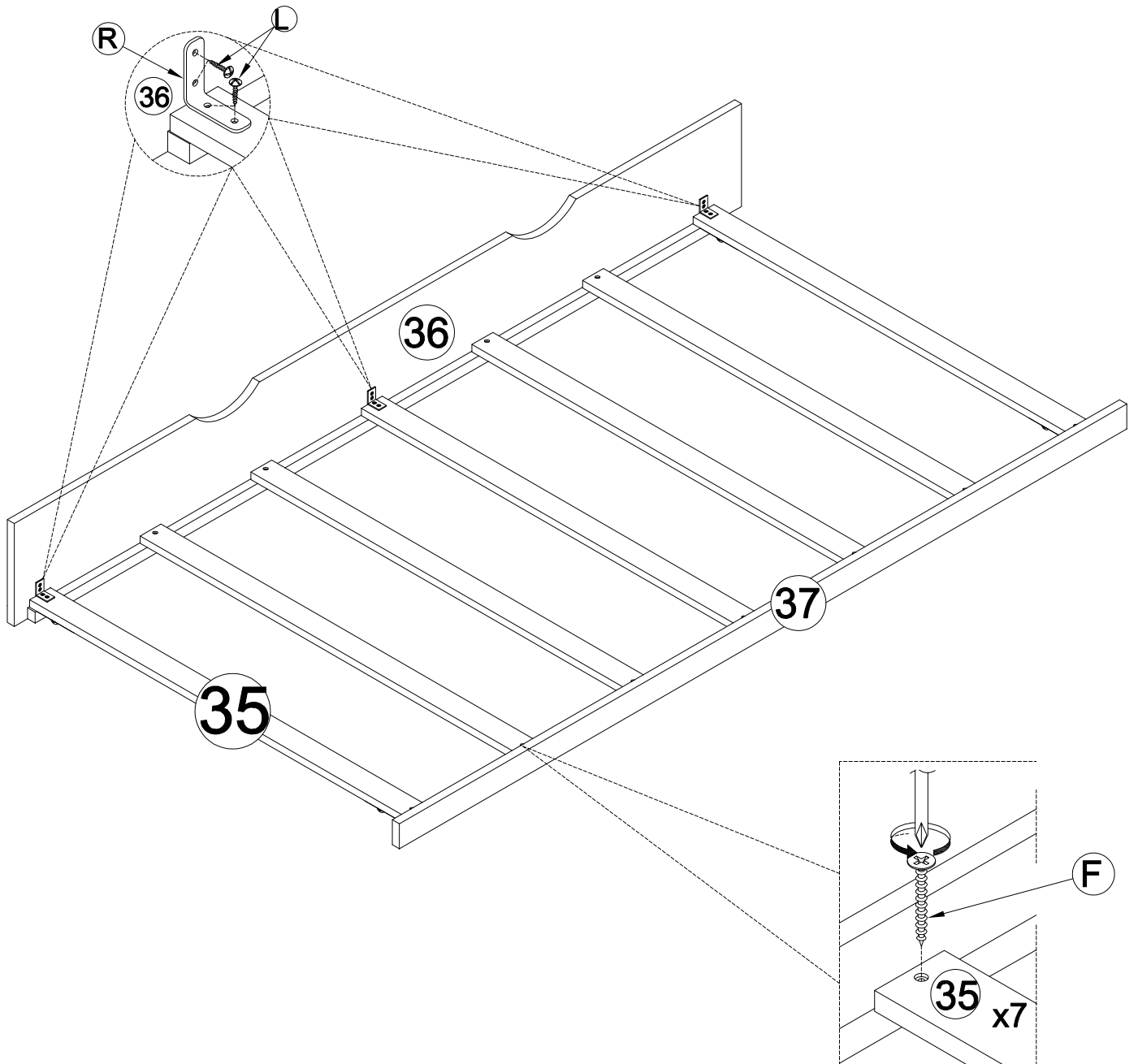
Lx8

Tx4



STEP 6-2:

60x25x2	Ø4x15mm	Ø4x30 mm
		
Rx3	Lx12	Fx14



CONGRATULATION. YOU HAVE COMPLETED THE BED

