

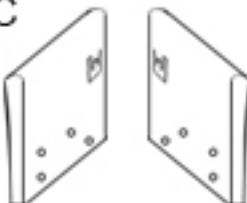
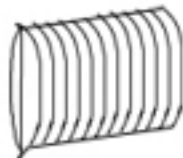













IF YOU BUY A 2 SEAT SOFA
please follow below assembly instruction

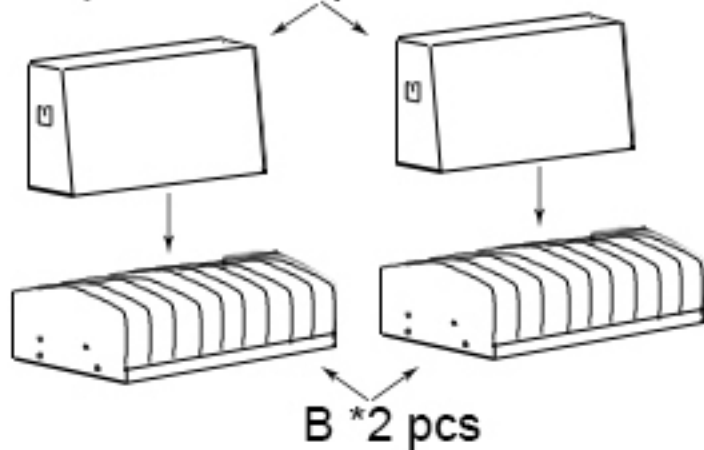
Parts included

<p>A</p>  <p>Backrest 2 pcs</p>	<p>B</p>  <p>Seat 2 pcs</p>	<p>C</p>  <p>Arm 2PCS</p>	<p>D</p>  <p>Back pillow 2 pcs</p>	<p>E</p>  <p>Tapered leg 4 pcs</p>
<p>F</p>  <p>Bolt M8*75mm*12 pcs</p>	<p>G</p>  <p>Washer 24 pcs</p>	<p>H</p>  <p>Allen key 1 pc</p>	<p>M</p>  <p>Center legs 2 pcs</p>	<p>N</p>  <p>Bolt M8*30mm*4pcs</p>
<p>L</p>  <p>Bolt M8*100mm*4 pcs</p>	<p>Y</p>  <p>Spring ring 20 pc</p>	<p>Z</p>  <p>Toss pillow 2 pcs</p>	<p>W</p>  <p>Nut M8 * 4 pcs</p>	<p>R</p>  <p>Wrench *1 pc</p>

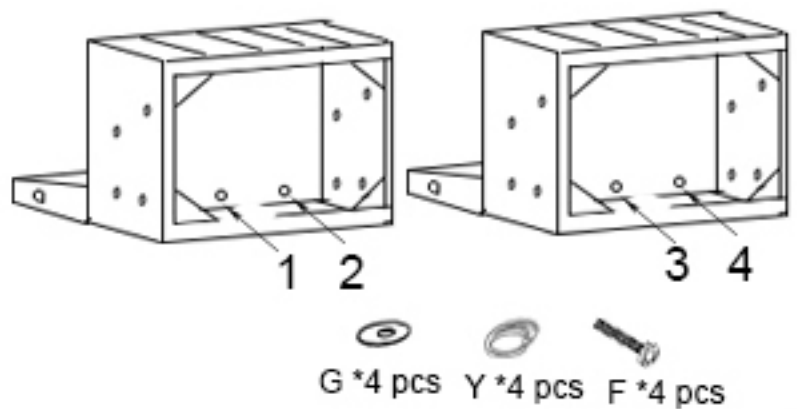
Assembly steps

Step1

A * 2 pcs

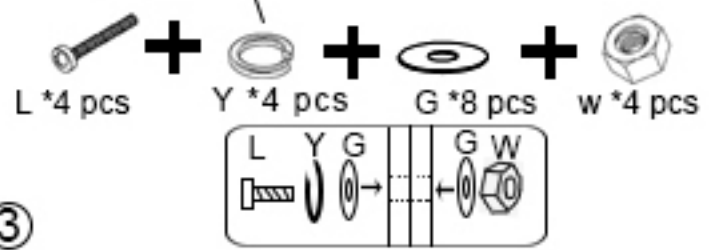
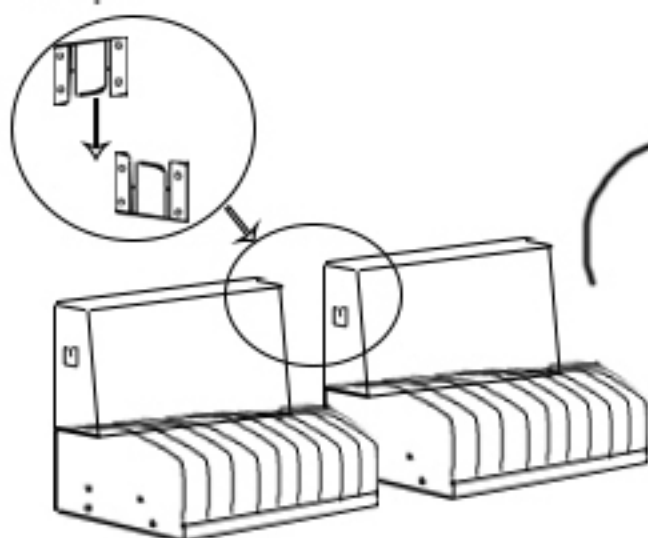


There are four screw holes



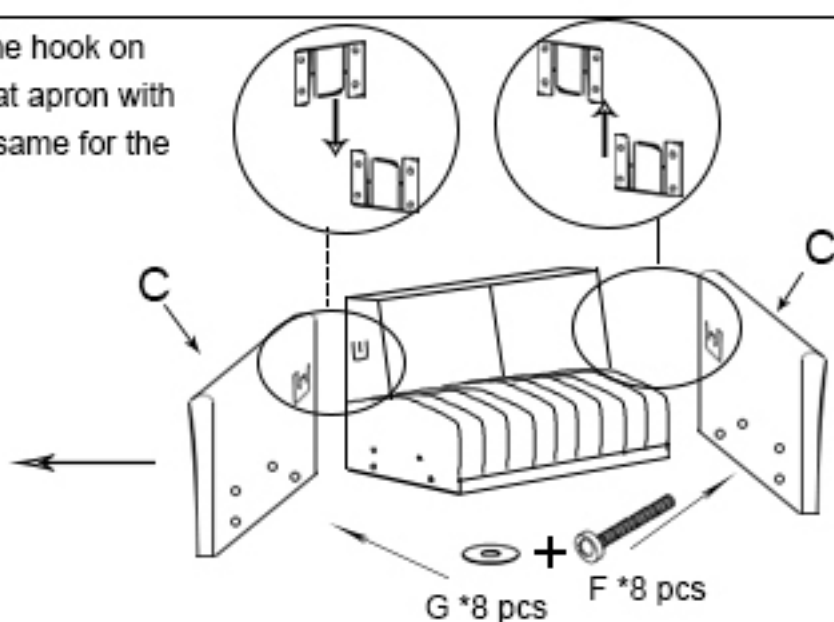
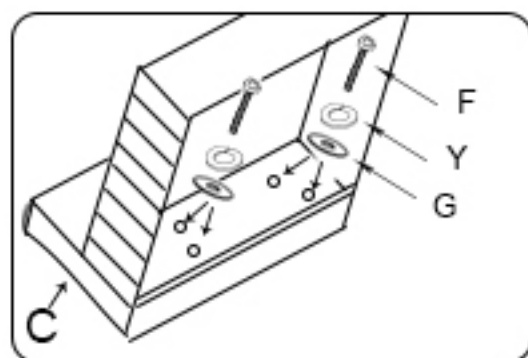
Step2

Connect the seat section with screws.

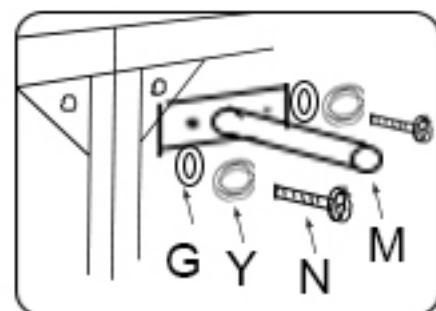
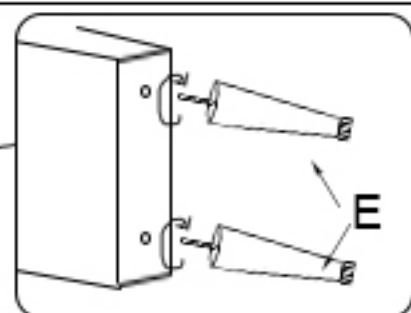
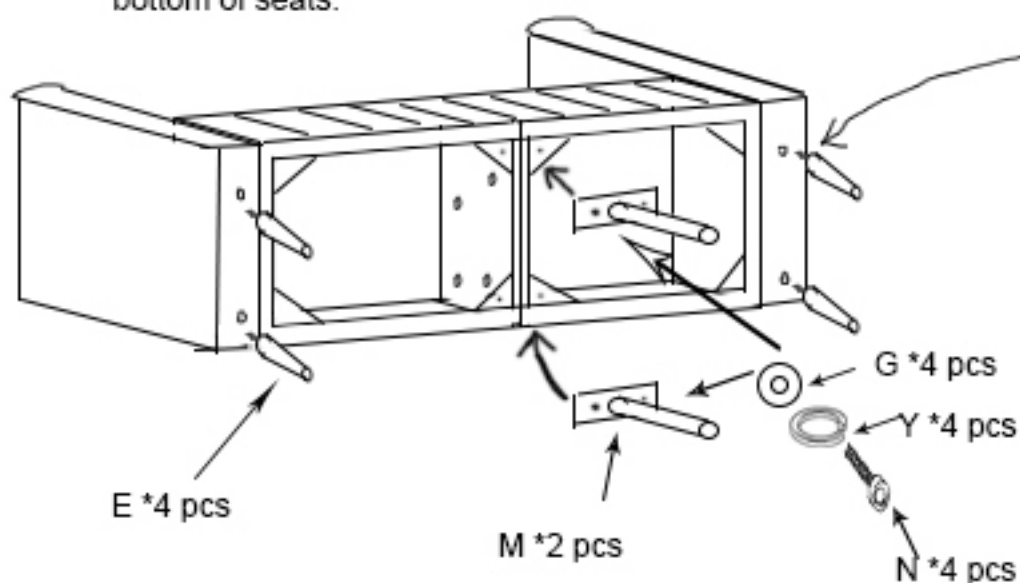


③

Step4 Secure the hook on arm with the hook on backrest, tighten the arm to seat apron with screws and washers; do it the same for the other arm.



Step5 Assemble the legs to the bottom of arms and bottom of seats.



Step6 Put the pillow on front of the back panel

