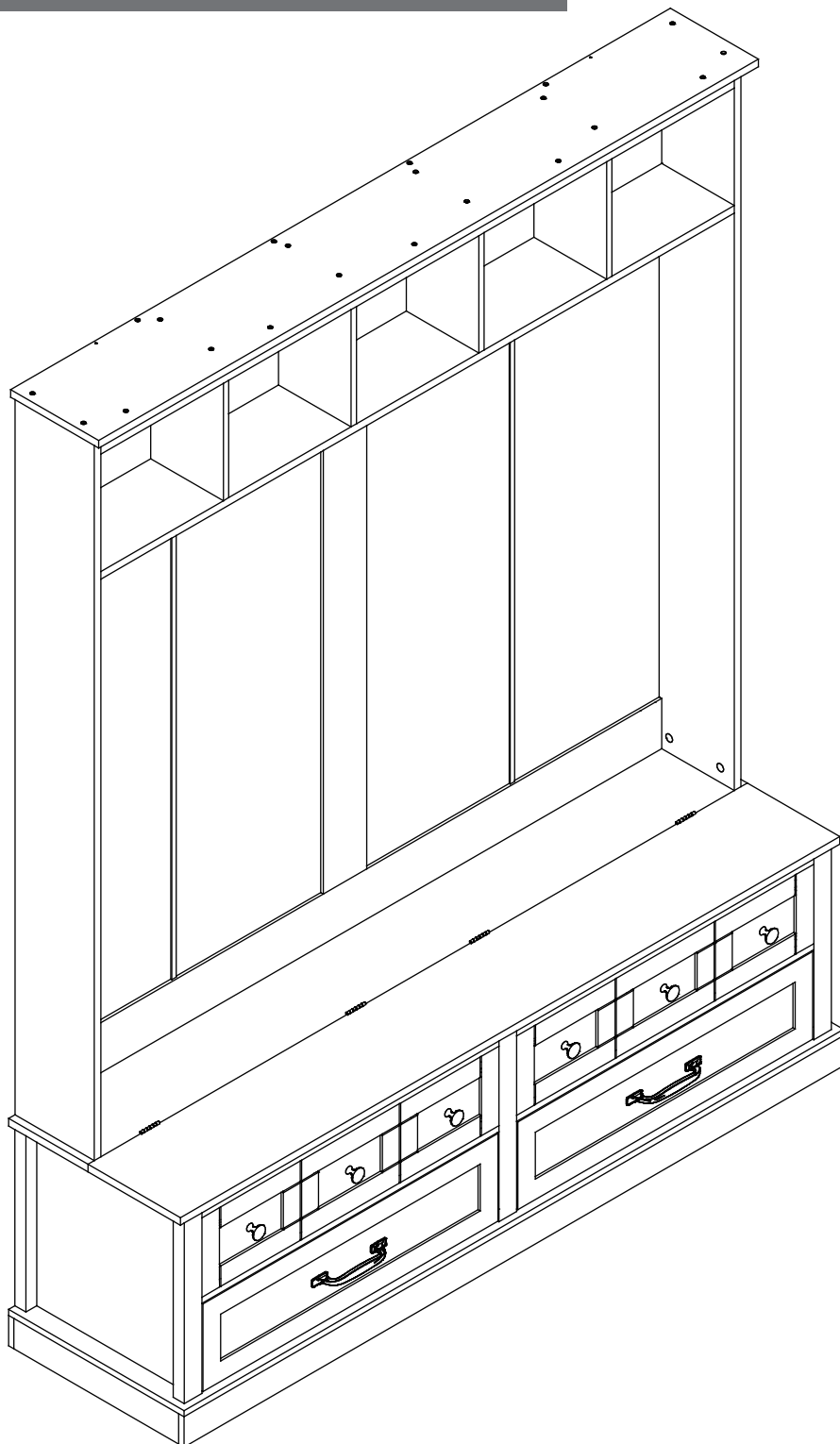


Hall Tree

Assembly Instructions - Please keep for future reference



Dimensions

Width- 59.05inch

Depth-15.75inch

Height-73.85inch

Important – Please read these instructions fully before starting assembly



Safety and Care Advice

Important – Please read these instructions fully before starting assembly

- Check you have all the components and tools listed on the following pages.
- Remove all fittings from the plastic bags and separate them into their groups.
- Keep children and animals away from the work area, small parts could choke if swallowed.
- Make sure you have enough space to layout the parts before starting.

- During assembly do not stand or put weight on the product, this could cause damage.
- Assemble the item as close to its final position (in the same room) as possible.
- Assemble on a soft level surface to avoid damaging the unit or your floor.
- Parts of the assembly will be easier with 2 people.



power drill is set on a low torque setting.

- To reduce the likelihood of damaging your product please ensure that your

Care and maintenance

- Only clean using a damp cloth and mild detergent, do not use bleach or abrasive cleaners.
- From time to time check that there are no loose screws on this unit.
- This product should not be discarded with household waste. Take to your local authority waste disposal centre.

Handy Hints

- Assemble all parts and bolts loosely during assembly, only once the product is complete should you fully tighten the bolts
- Regularly check and ensure That all bolts and fittings are tightend properly.

WARNING
In order to help prevent overturning – please follow these instructions

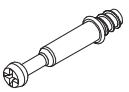


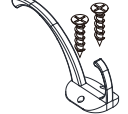


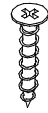

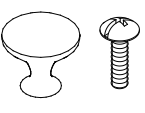

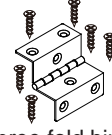

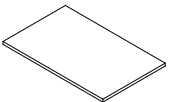
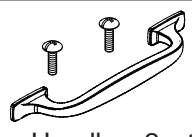
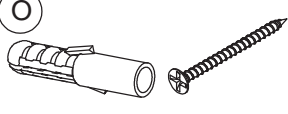
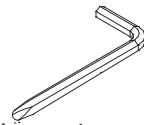
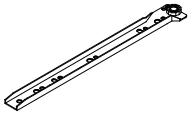
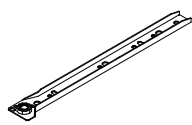
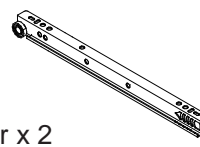
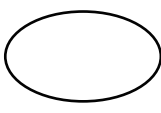
To help prevent product toppling over please follow the below steps:-

- Use the anti tip stap or wall fixing method provided (if applicable)
- Do not allow children to climb or hang on the furniture
- Do not open more than one drawer at a time
- Do not place heavy items in the top drawers
- Do not place heavy items on top of the furniture, unless the furniture has been designed for this purpose

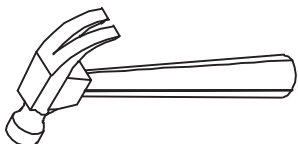
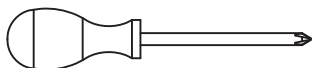
Components - Fittings

Please check you have all the panels listed below

Note: The quantities below are the correct amount to complete the assembly. In some cases more fittings may be supplied than are required

| | | | |
|---|--|---|---|
| <p>(A) </p> <p>Cam Bolt x 112</p> | <p>(B) </p> <p>6*30mm Dowel x 77</p> | <p>(C) </p> <p>Cam lock x 112</p> | <p>(D) </p> <p>3*12mm Hook x 5set</p> |
| <p>(E) </p> <p>4*14mm Screw x 2set</p> | <p>(F) </p> <p>4*30mm Screw x 31</p> | <p>(G) </p> <p>4*20mm Screw x 4</p> | <p>(H) </p> <p>3*12mm Screw x 16</p> |
| <p>(I) </p> <p>4*8mm Handle x 6set</p> | <p>(J) </p> <p>4*40mm Screw x 6</p> | <p>(K) </p> <p>3*12mm Three fold hinge x 4set</p> | <p>(L) </p> <p>3*12mm Screw x 1set</p> |
| <p>(M) </p> <p>Foot pad x 3</p> | <p>(N) </p> <p>4*8mm Handle x 2set</p> | <p>(O) </p> <p>4*40mm Plastic expansion x 2set</p> | <p>(R) </p> <p>Allen key x 1</p> |
| <p>(CR) </p> <p>runner x 2</p> | <p>(CL) </p> <p>runner x 2</p> | <p>(DR) </p> <p>runner x 2</p> | <p>(DL) </p> <p>runner x 2</p> |
| <p>(P) </p> <p>Perfect fit x 112</p> | | | |

Tools required Not Included



Phillips screwdriver
(medium & large)

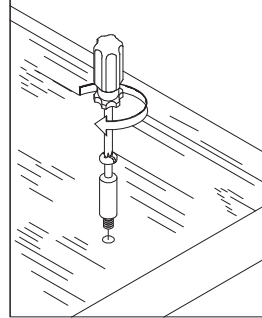
Using Camlocks

Step 1

Connect the male camlock as directed in the assembly instructions using a screwdriver.

1

DO NOT OVER TIGHTEN.
NE PAS SERRER EXCESSIVEMENT.



Step 2

Push the male camlock into the entry hole.

2

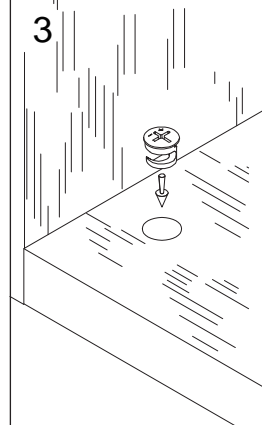


Step 3

Insert the female camlock as shown in the instruction.

Note: ensure that the arrow on the top of the camlock points towards the entry hole for the male camlock.

3



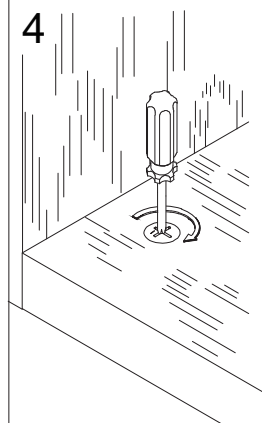
Step 4

Turn the female camlock clockwise with a screwdriver.

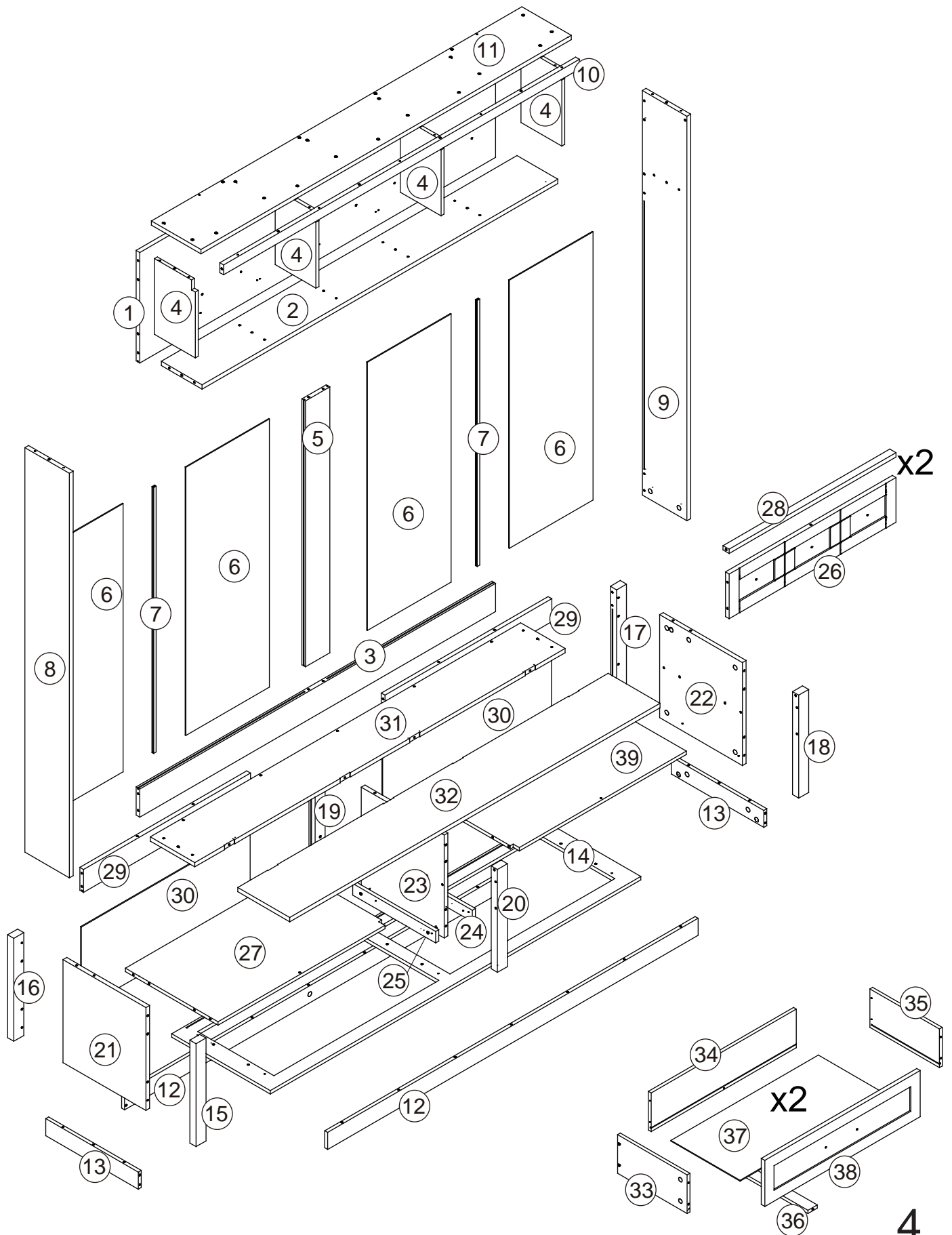
You should feel a click when the camlock is locked in place.

The joint is now secure.

4

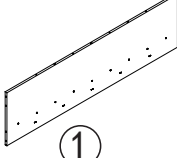
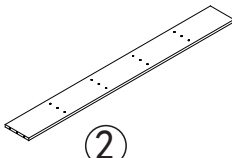
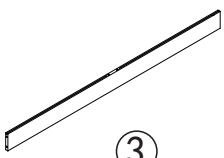
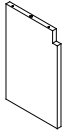

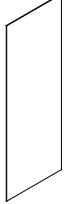



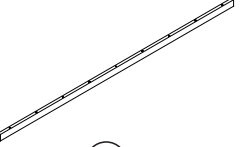
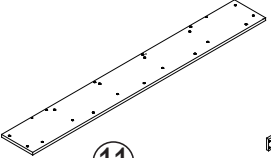
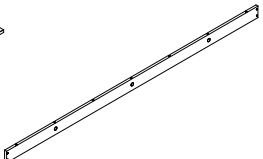
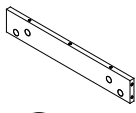
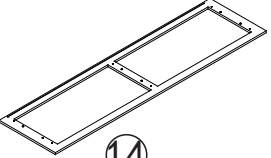


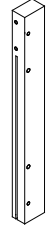




Assembly Instructions

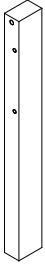
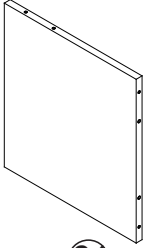
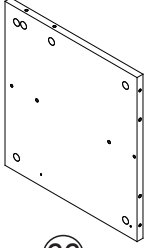
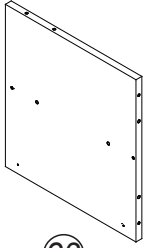
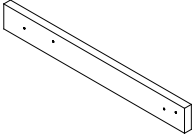
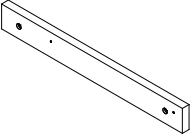
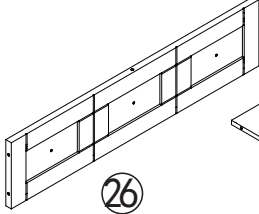
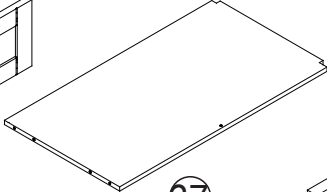

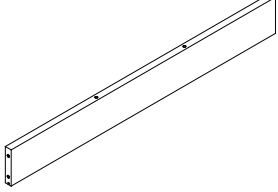
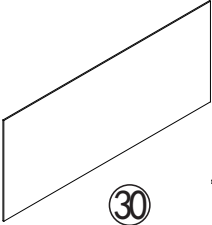
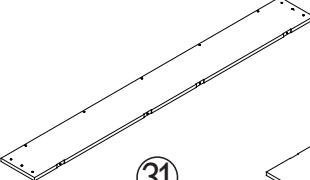
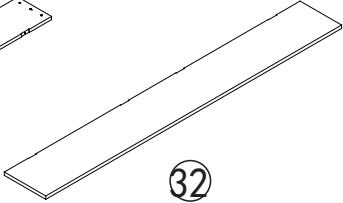
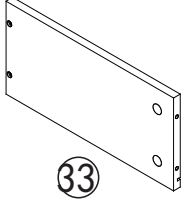
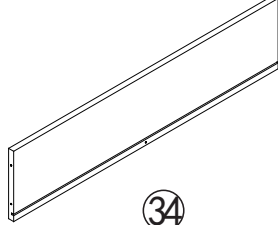
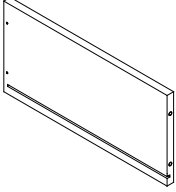
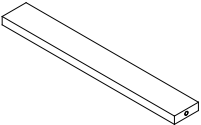
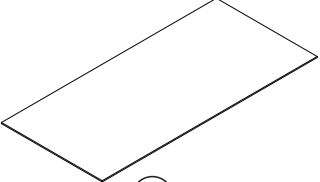
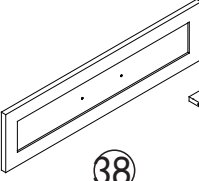
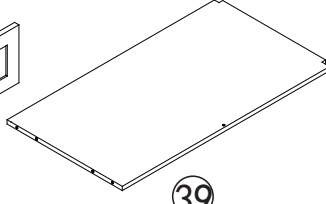


PART LIST

There are 1 boxes of this product.

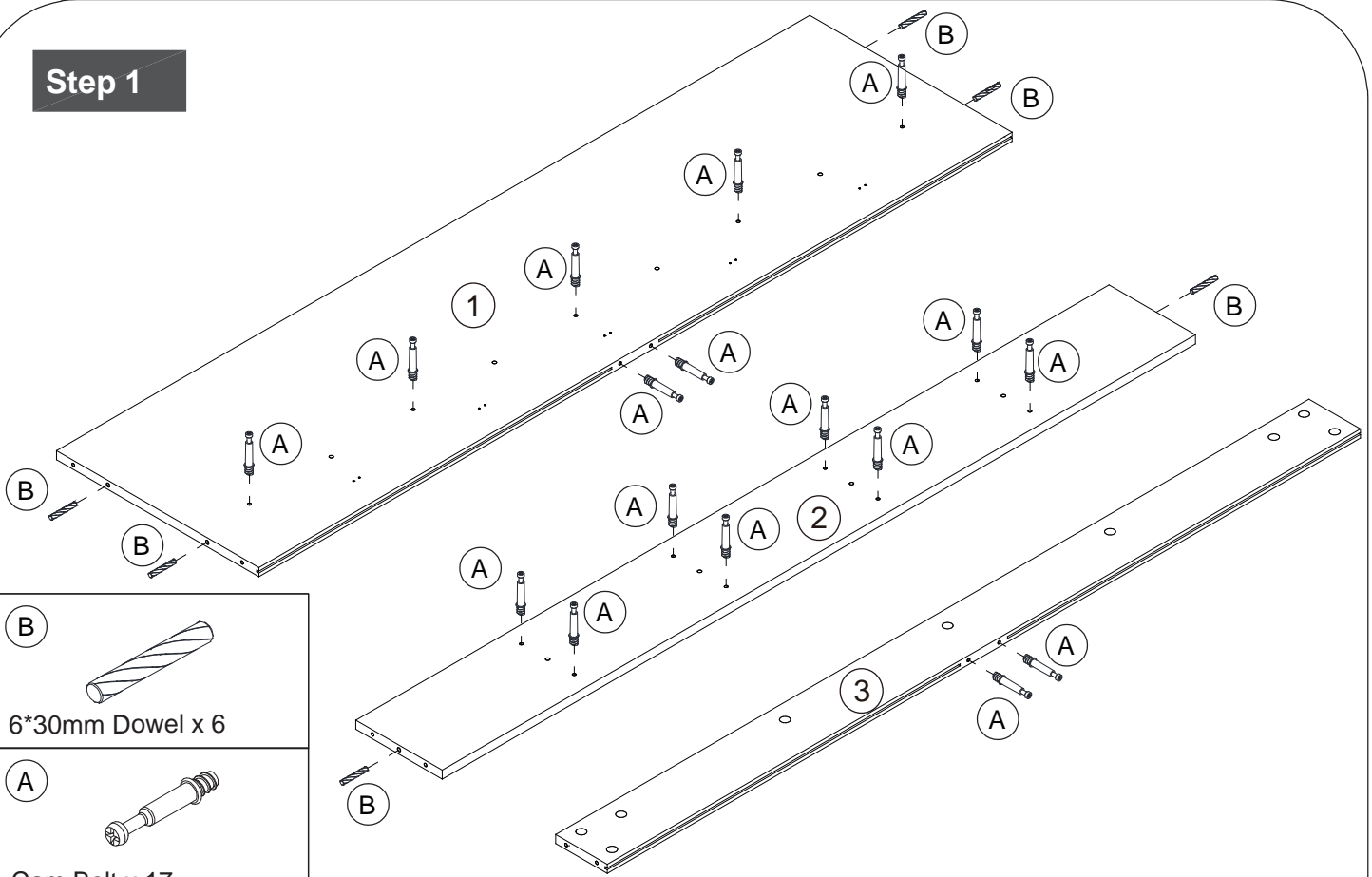
| | | | | |
|--|--|--|---|--|
|  <p>① x1 On the back panel 1439x385x15mm</p> |  <p>② x1 roof 1439x170x15mm</p> |  <p>③ x1 Lower back cross bar 1439x100x15mm</p> |  <p>④ x4 Medium Vertical Partition 263x170x12mm</p> | |
|  <p>⑤ x1 Middle back vertical bar 930x100x15mm</p> |  <p>⑥ x4 Upper back panel 938x338x3mm</p> |  <p>⑦ x2 Back slats</p> |  <p>⑧ x1 Upper side panel 1414x187x15mm</p> |  <p>⑨ x1 Upper side panel 1414x187x15mm</p> |
|  <p>⑩ x1 Roof Front horizontal bar 1439x35x15mm</p> |  <p>⑪ x1 tip plate 1498x200x15mm</p> |  <p>⑫ x2 Front and back of floor 1502x60x12mm</p> |  <p>⑬ x2 Bottom Plate left and right bar 375x60x12mm</p> |  <p>⑭ x1 base plate 1502x400x12mm</p> |
|  <p>⑮ x1 Front and rear side panels 360x40x25mm</p> |  <p>⑯ x1 Front and rear side panels 360x40x25mm</p> |  <p>⑰ x1 Front and rear side panels 360x40x25mm</p> |  <p>⑱ x1 Front and rear side panels 360x40x25mm</p> |  <p>⑲ x1 Front and rear side panels 360x40x25mm</p> |

PART LIST

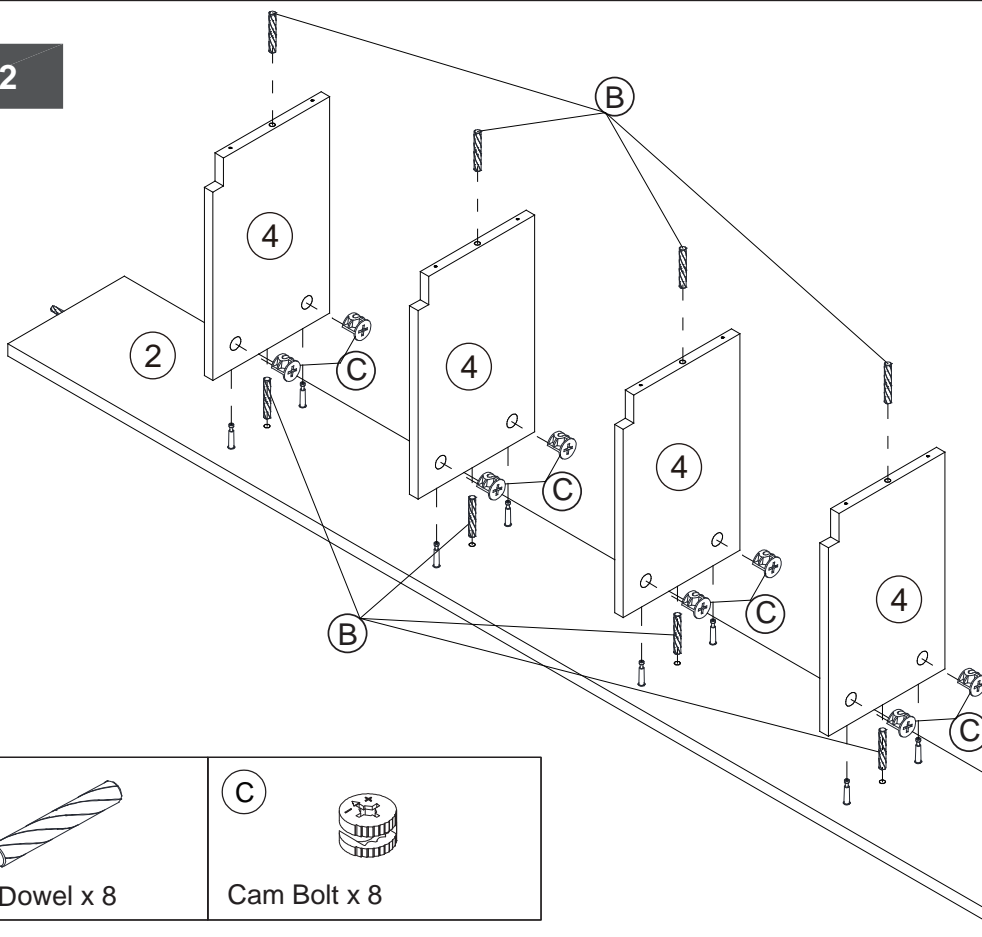
| | | | | |
|---|---|---|---|---|
|  |  |  |  |  |
| ⑳ | ㉑ | ㉒ | ㉓ | ㉔ |
| x1 Front and rear side panels 360x40x25mm | x1 Side panels 335x360x15mm | x1 Side panels 335x360x15mm | x1 Medium vertical plate 335x360x15mm | x1 Medium vertical plate sticker 335x39x12mm |
|  |  |  |  |  |
| ㉕ | ㉖ | ㉗ | ㉘ | ㉙ |
| x1 Medium vertical plate sticker 268x339x15mm | x2 Fake noodles 675x156x15mm | x1 Fixed Laminate 687x375x12mm | x2 Cross bar on false drawing surface 675x25x15mm | x2 Rear Bar 675x80x15mm |
|  |  |  |  |  |
| ㉚ | ㉛ | ㉜ | ㉝ | ㉞ |
| x2 Lower back panel 683x288x3mm | x1 Rear Middle Panel 1498x190x15mm | x1 Front center panel 1498x210x15mm | x2 Draw the side plate 300x144x12mm | x2 Draw back board 626x144x12mm |
|  |  |  |  |  |
| ㉟ | ㊱ | ㊲ | ㊳ | ㊴ |
| x2 Draw the side plate 300x144x12mm | x2 Draw the bottom 288x40x12mm | x2 Draw the bottom plate 634x296x3mm | x2 Draw the panel 670x168x15mm | x1 Fixed Laminate 687x375x12mm |

Assembly Instructions

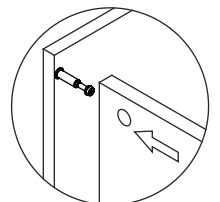
Step 1



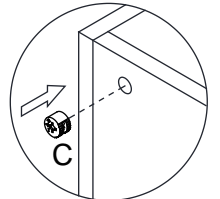
Step 2



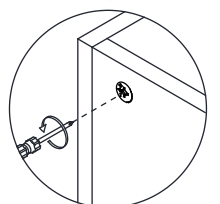
step1



step2

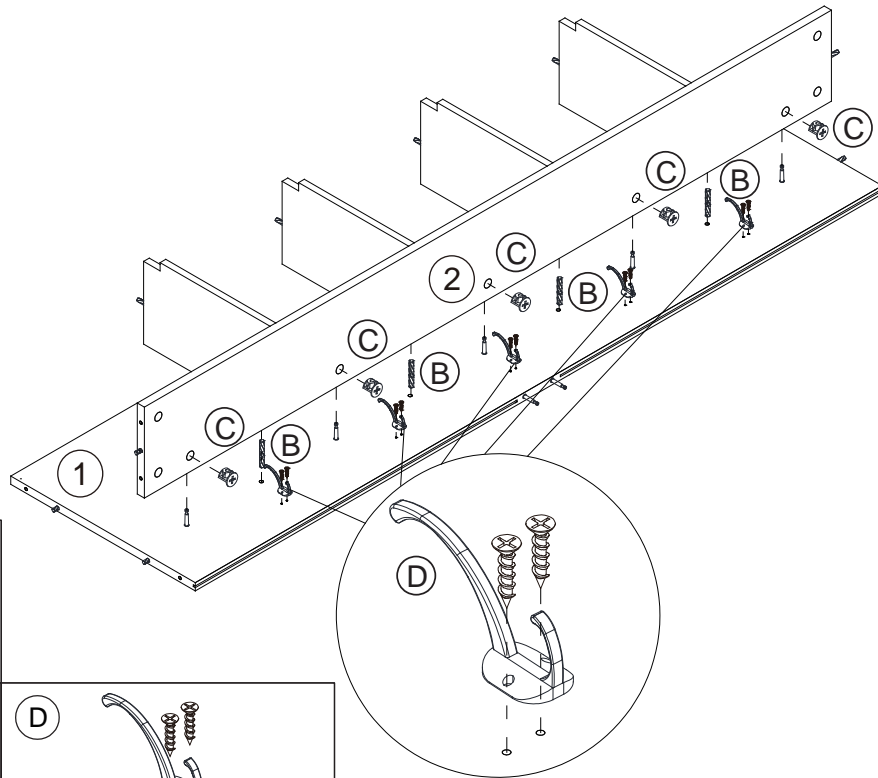


step3



Assembly Instructions

Step 3



(B)



6*30mm Dowel x 4

(C)



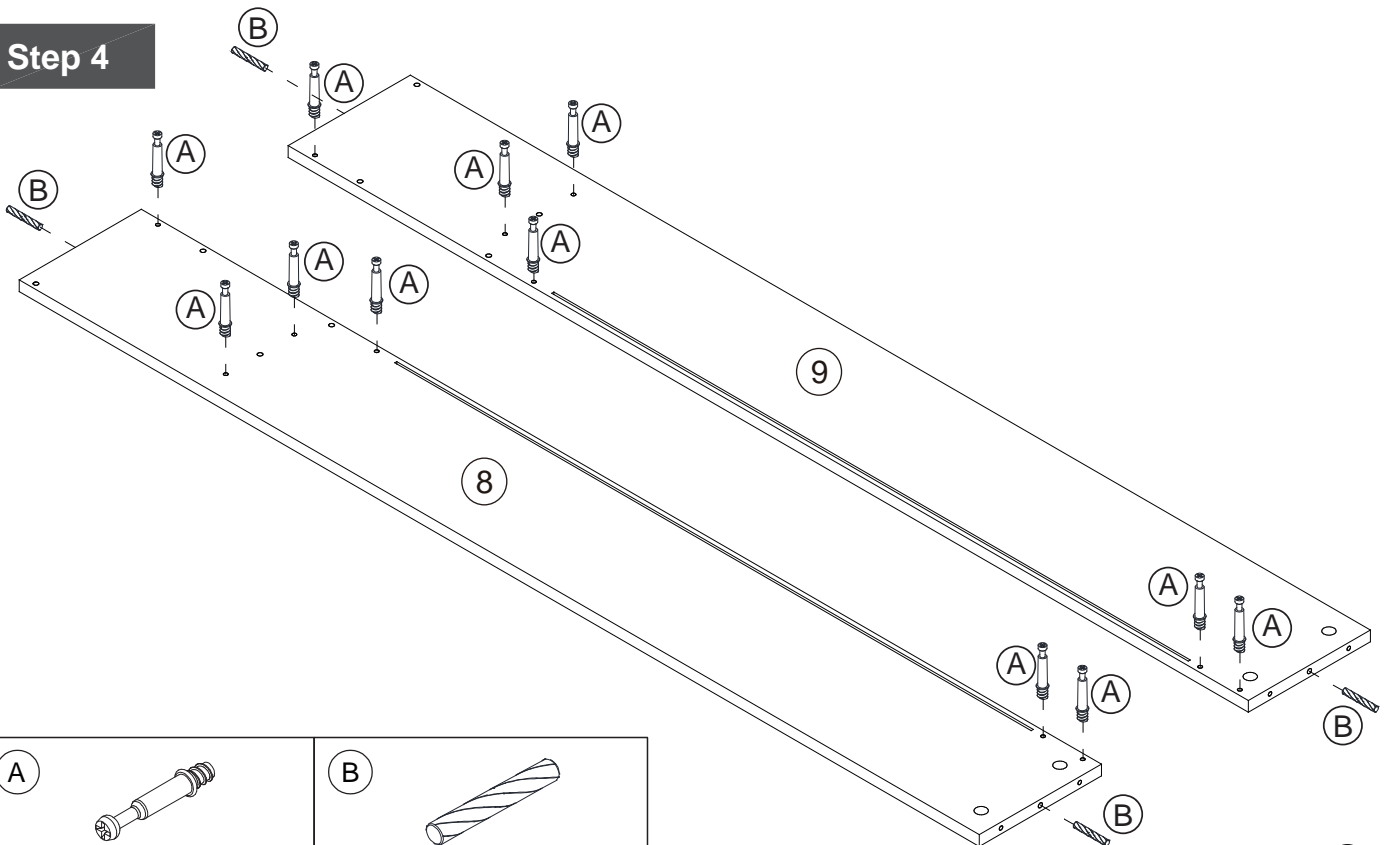
Cam Bolt x 5

(D)

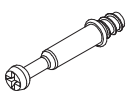


3*12mm Hook x 5set

Step 4



(A)



Cam Bolt x 12

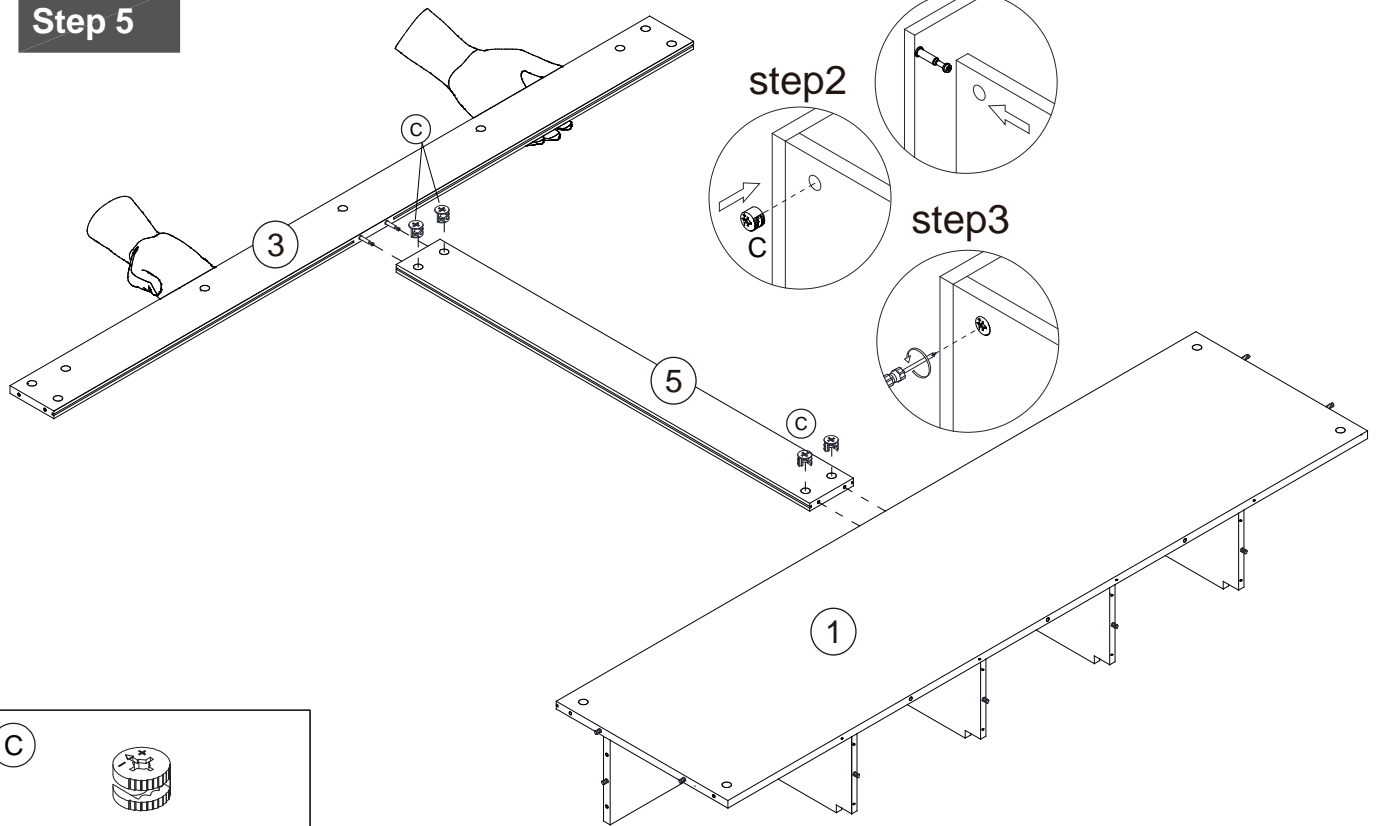
(B)



6*30mm Dowel x 4

Assembly Instructions

Step 5

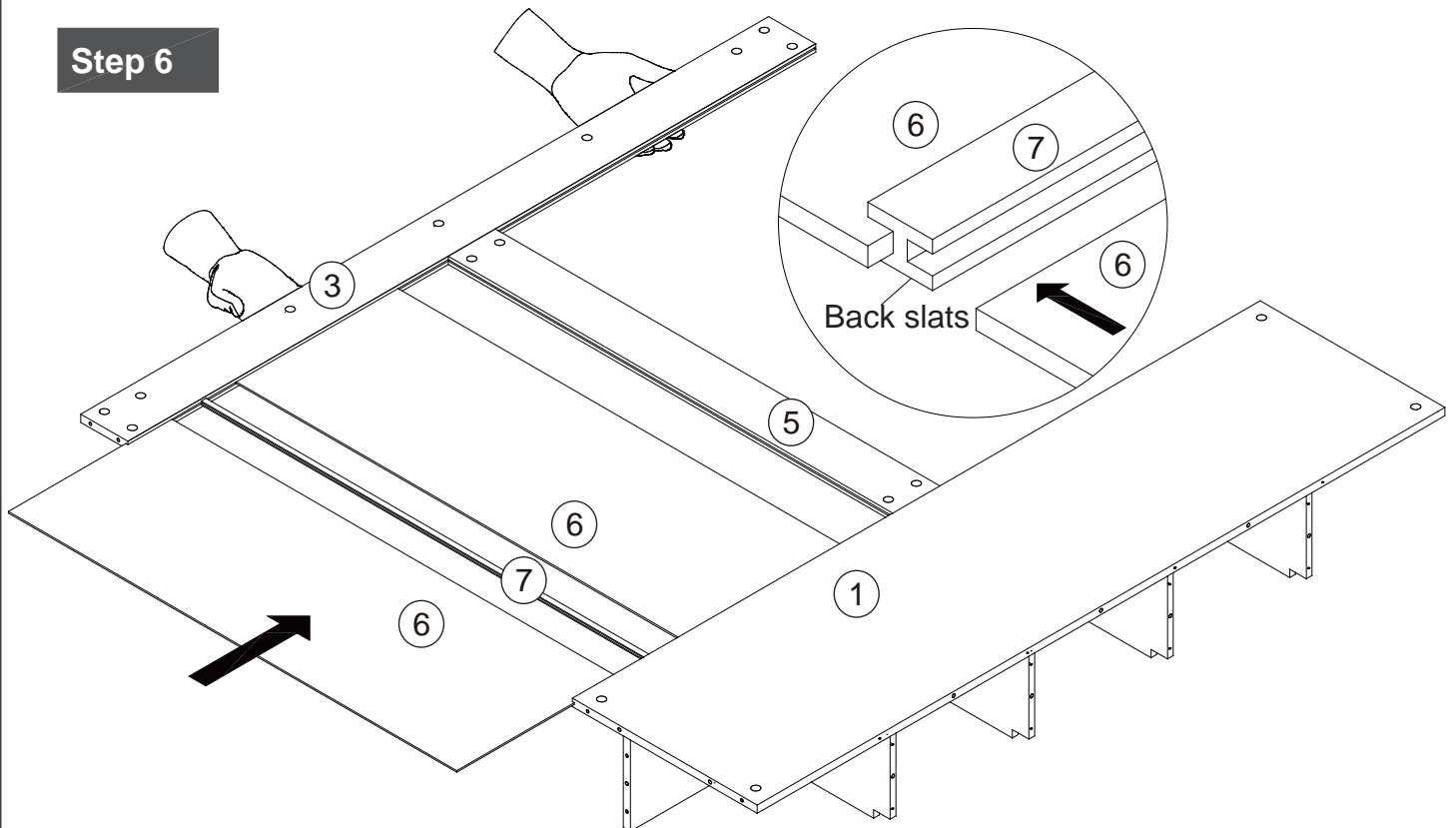


C



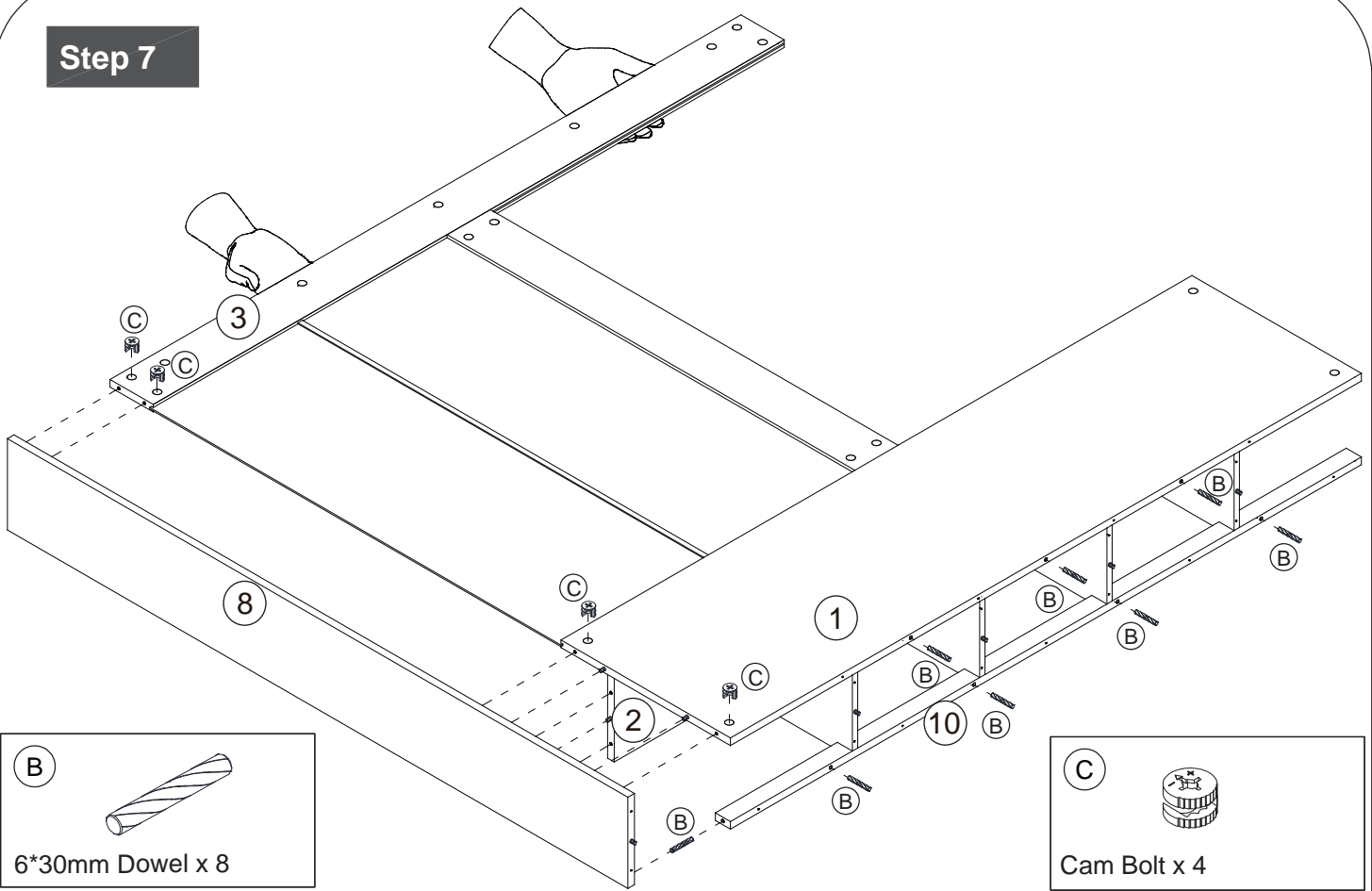
Cam lock x 4

Step 6

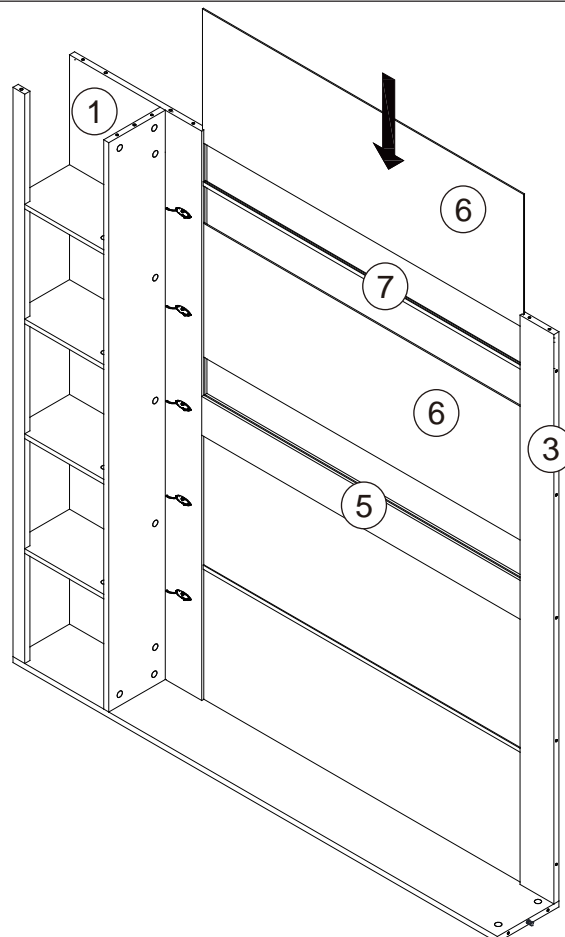


Assembly Instructions

Step 7

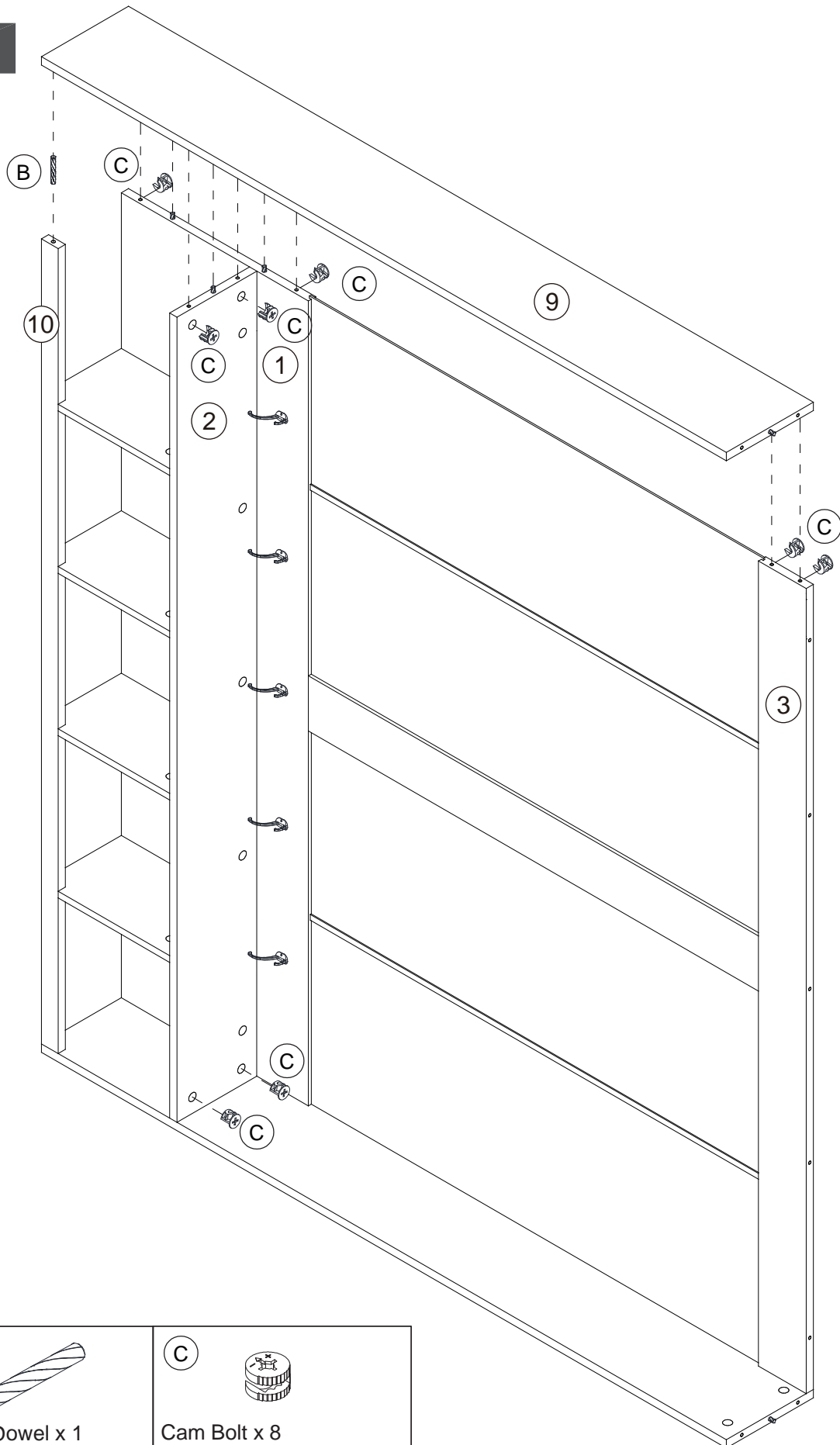


Step 8



Assembly Instructions

Step 9



(B)



6*30mm Dowel x 1

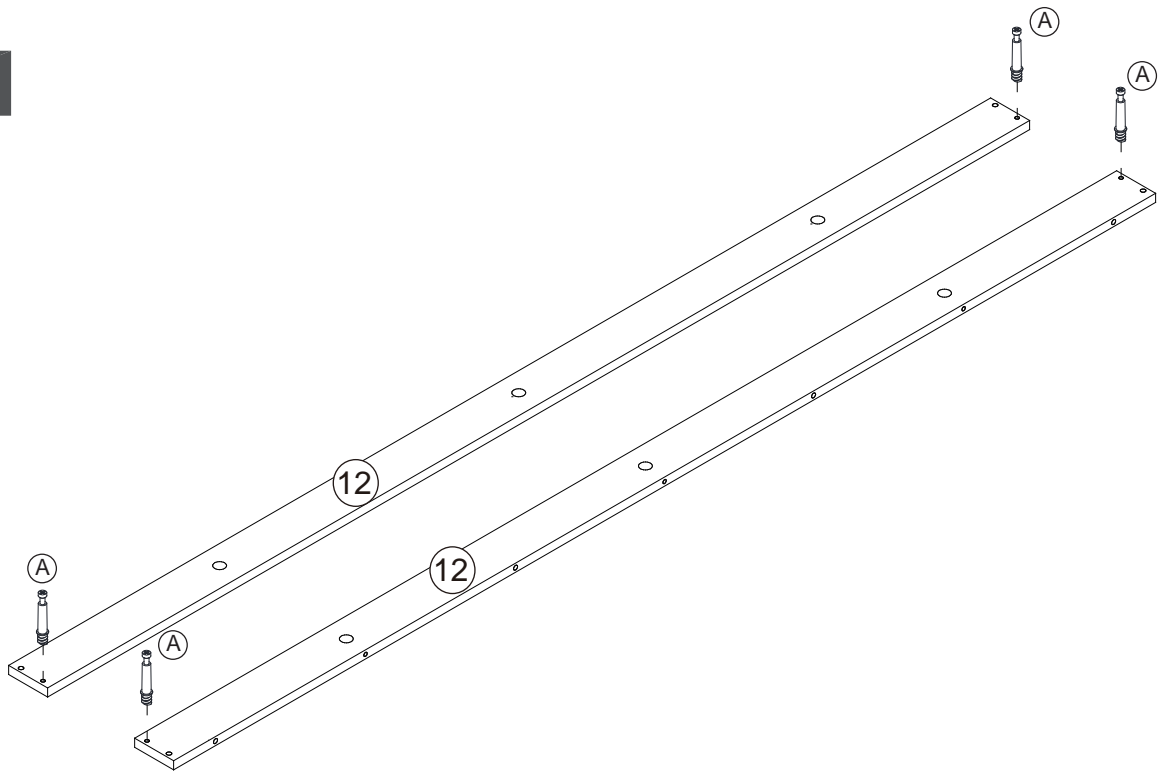
(C)



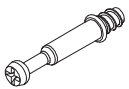
Cam Bolt x 8

Assembly Instructions

Step 11

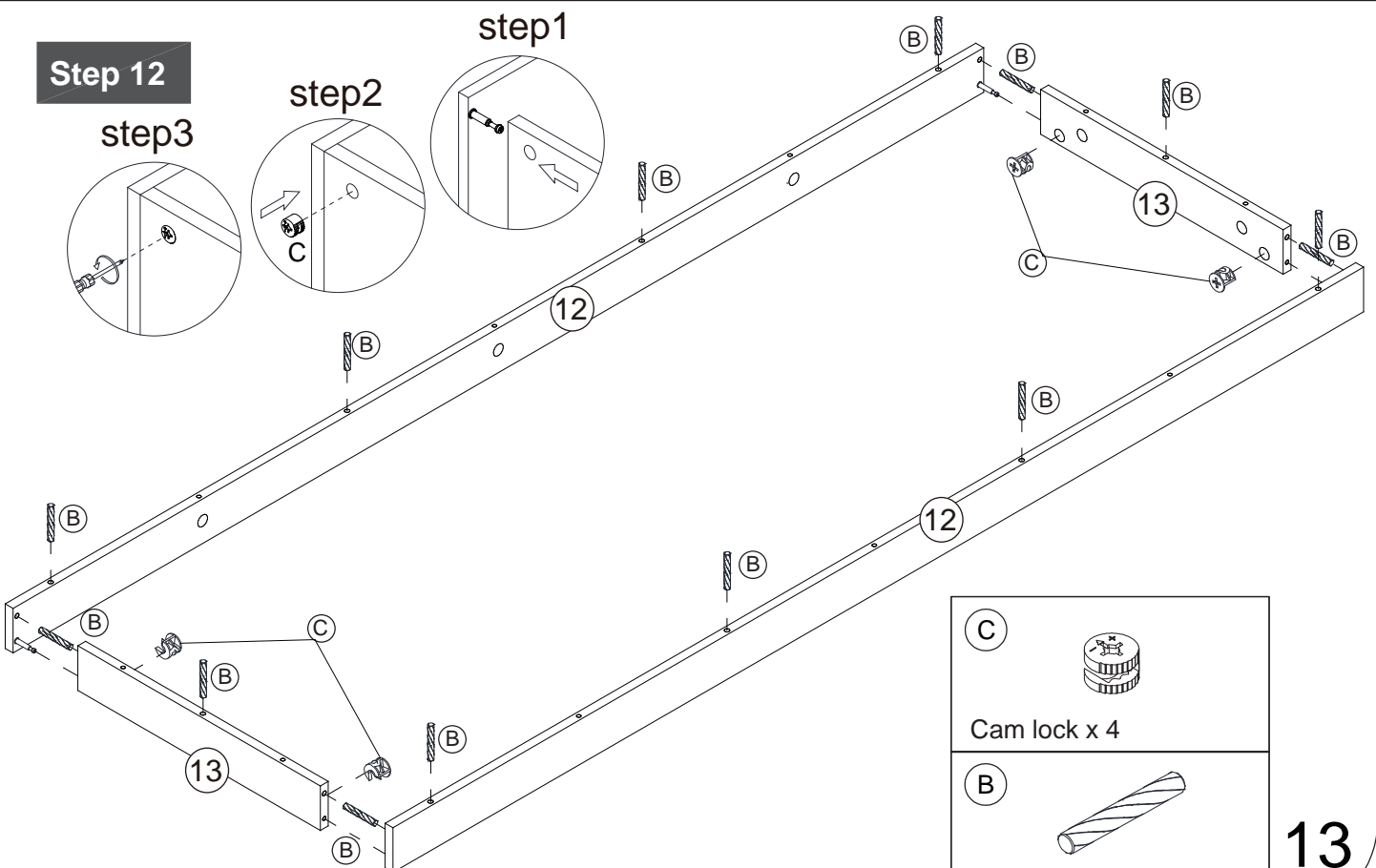


(A)



Cam Bolt x 4

Step 12



(C)



Cam lock x 4

(B)

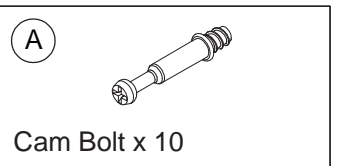
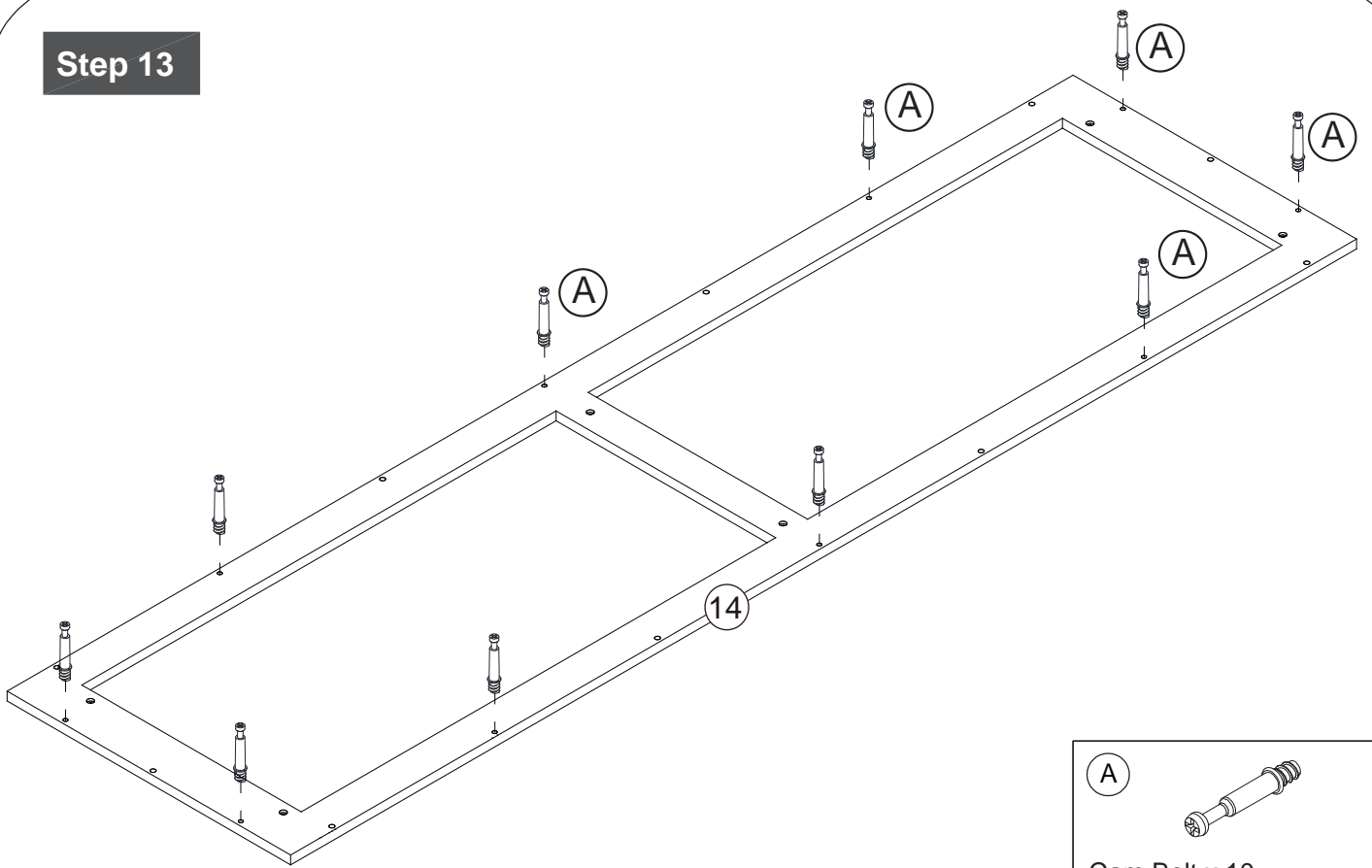


6*30mm Dowel x 14

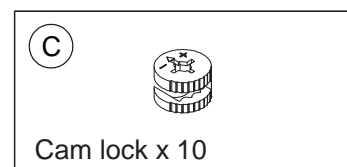
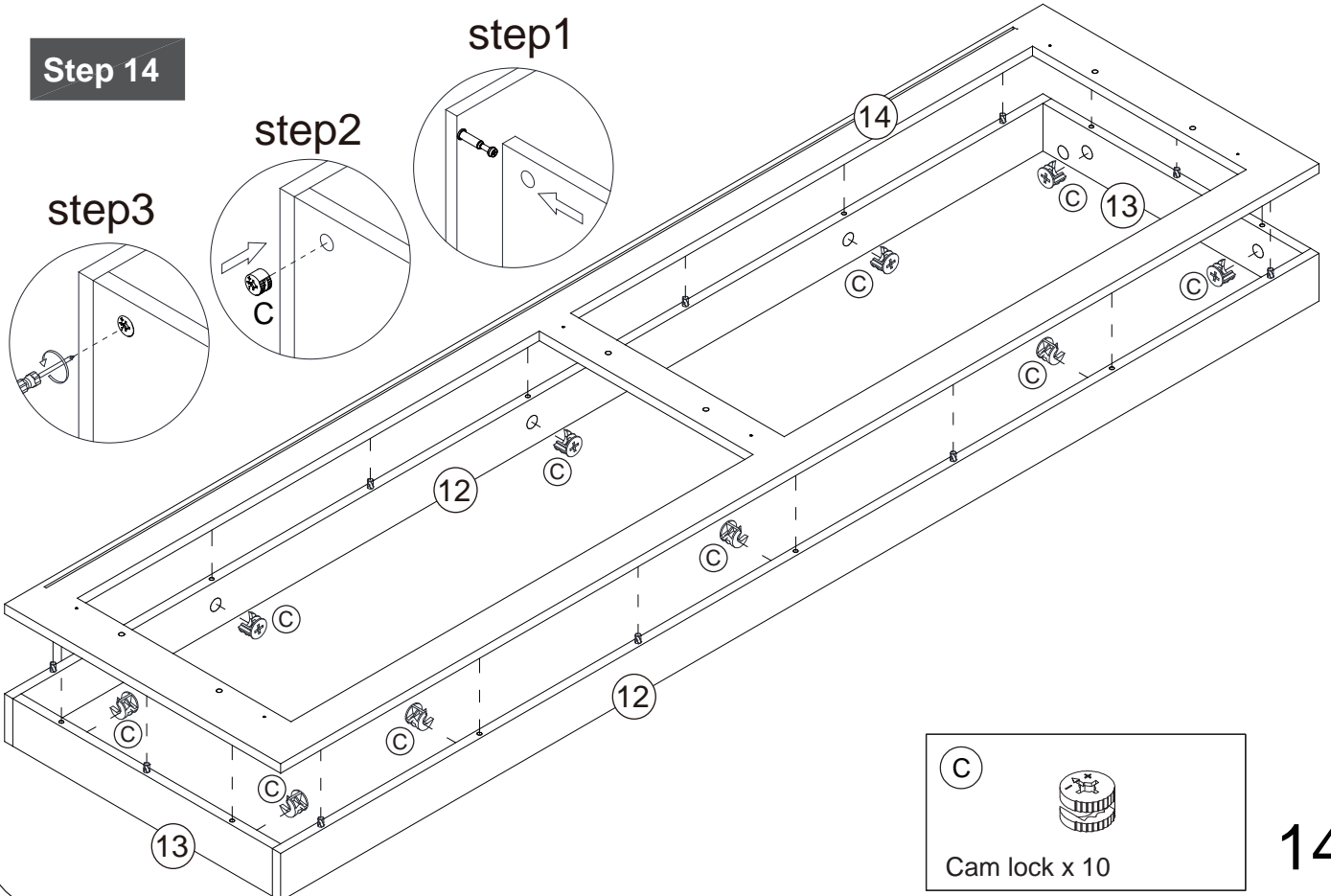
13

Assembly Instructions

Step 13

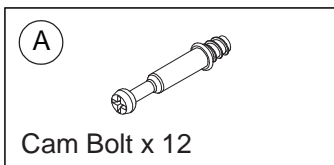
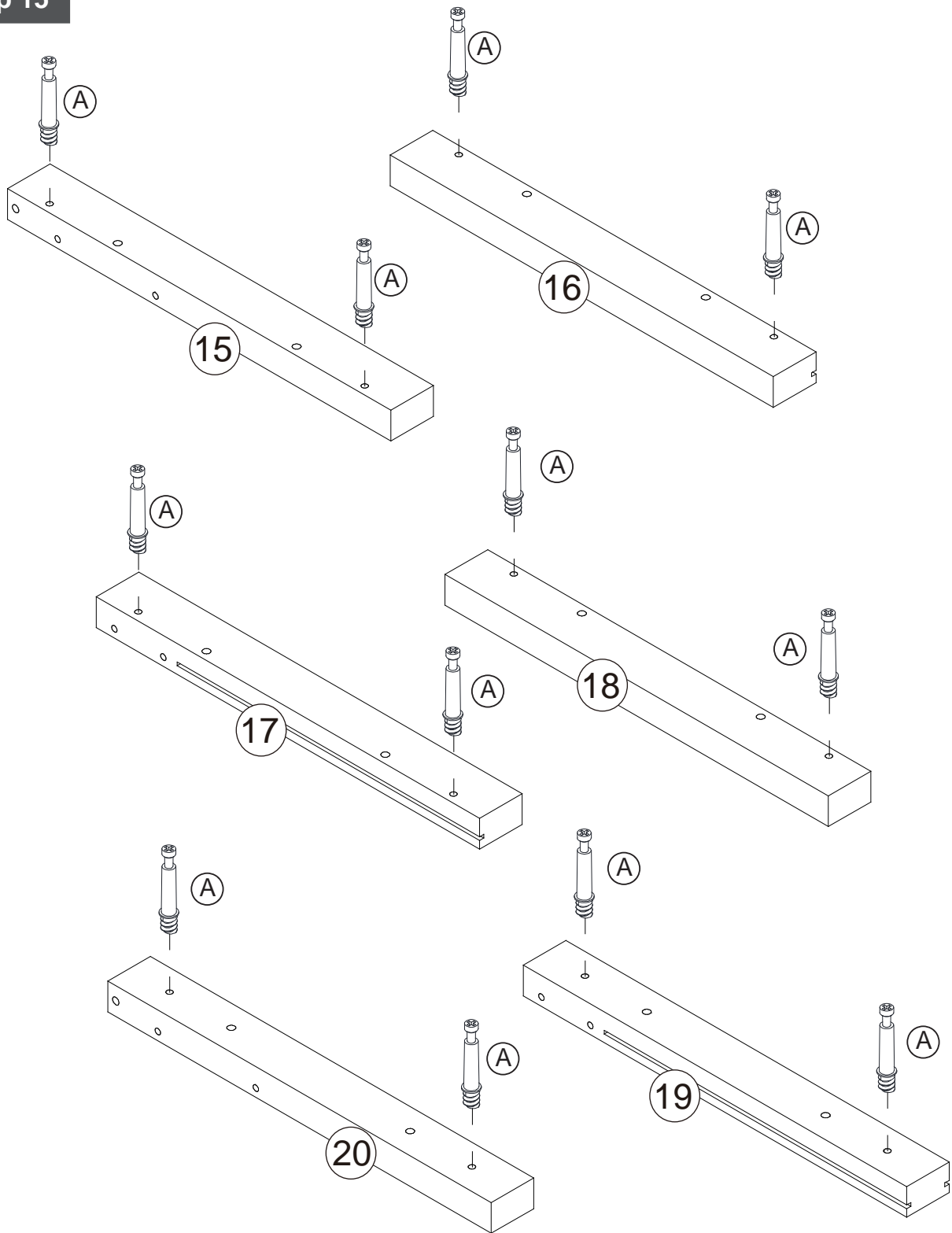


Step 14



Assembly Instructions

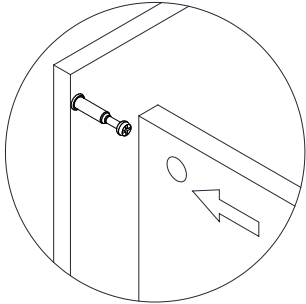
Step 15



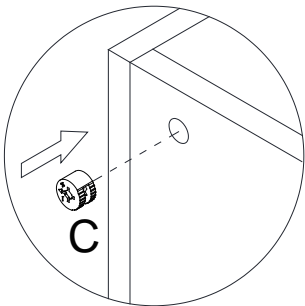
Assembly Instructions

Step 16

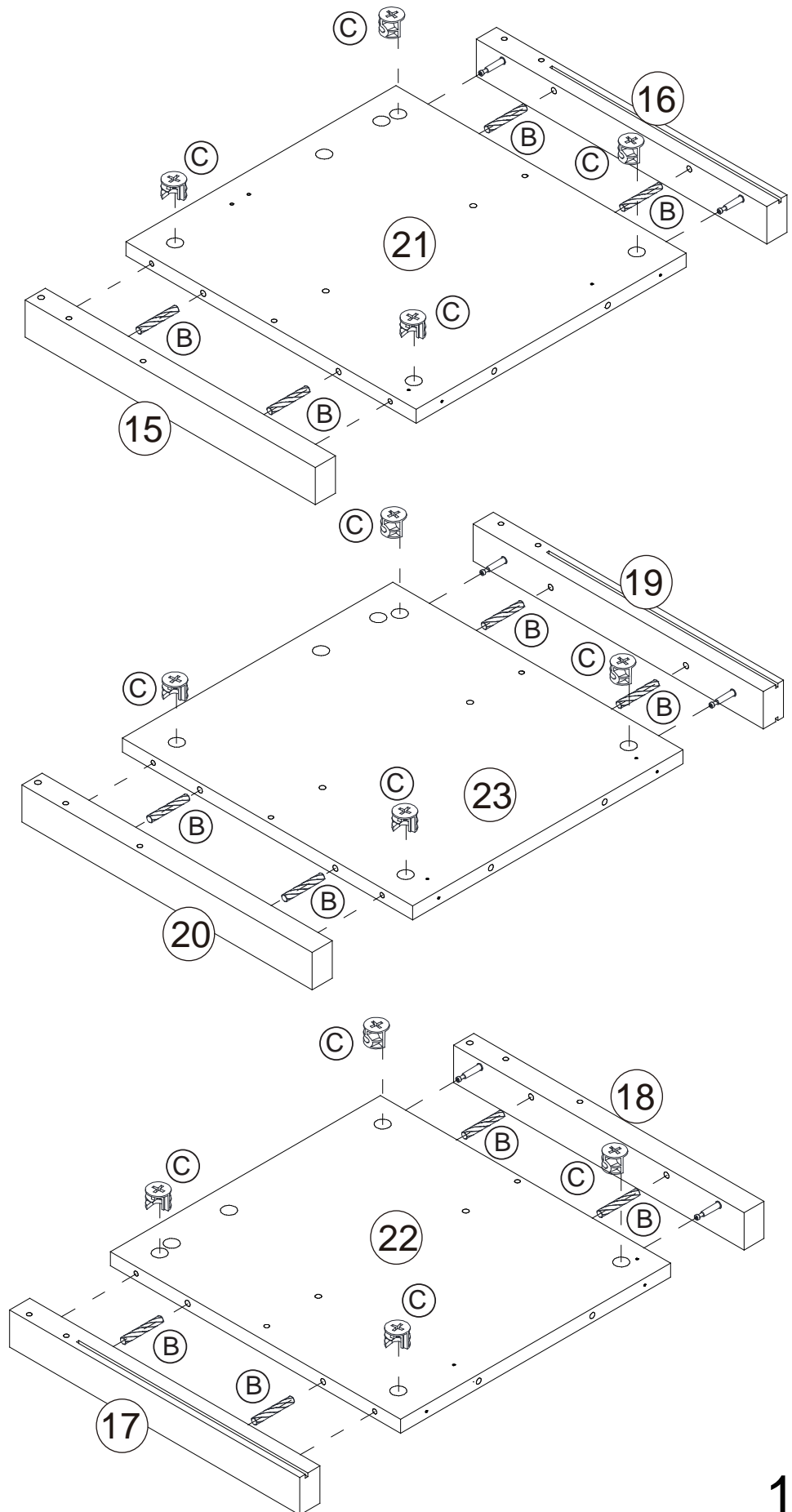
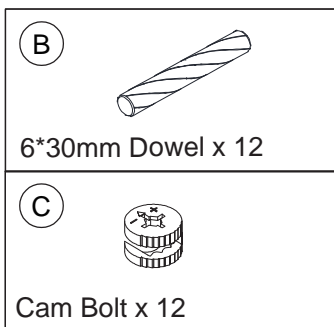
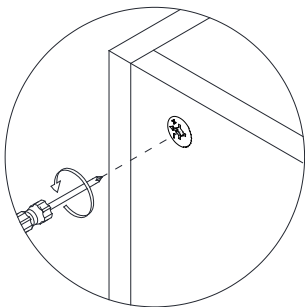
step 1



step 2

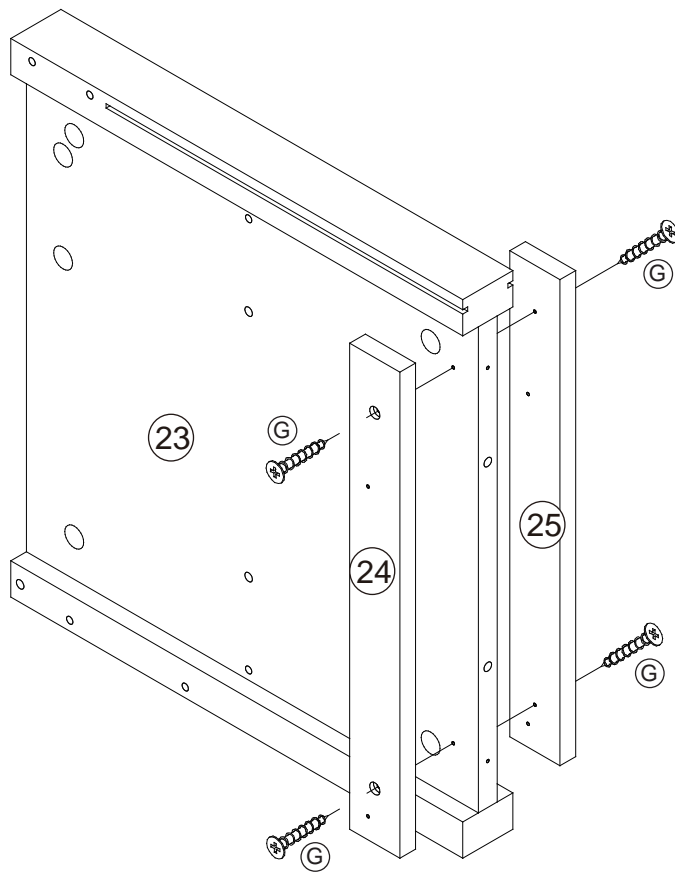


step 3



Assembly Instructions

Step 17

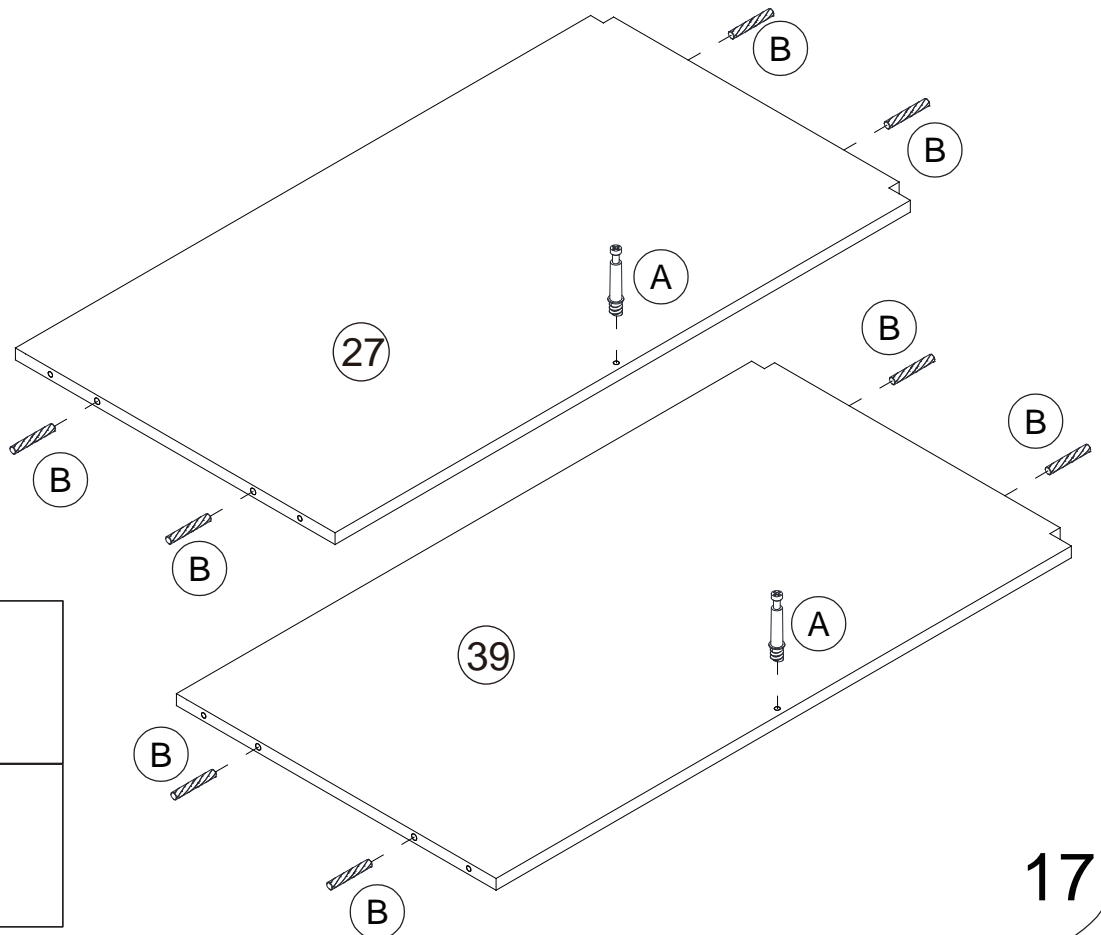


(G)

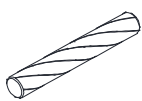


4*20mm Screw x 4

Step 18

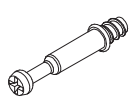


(B)



6*30mm Dowel x 8

(A)

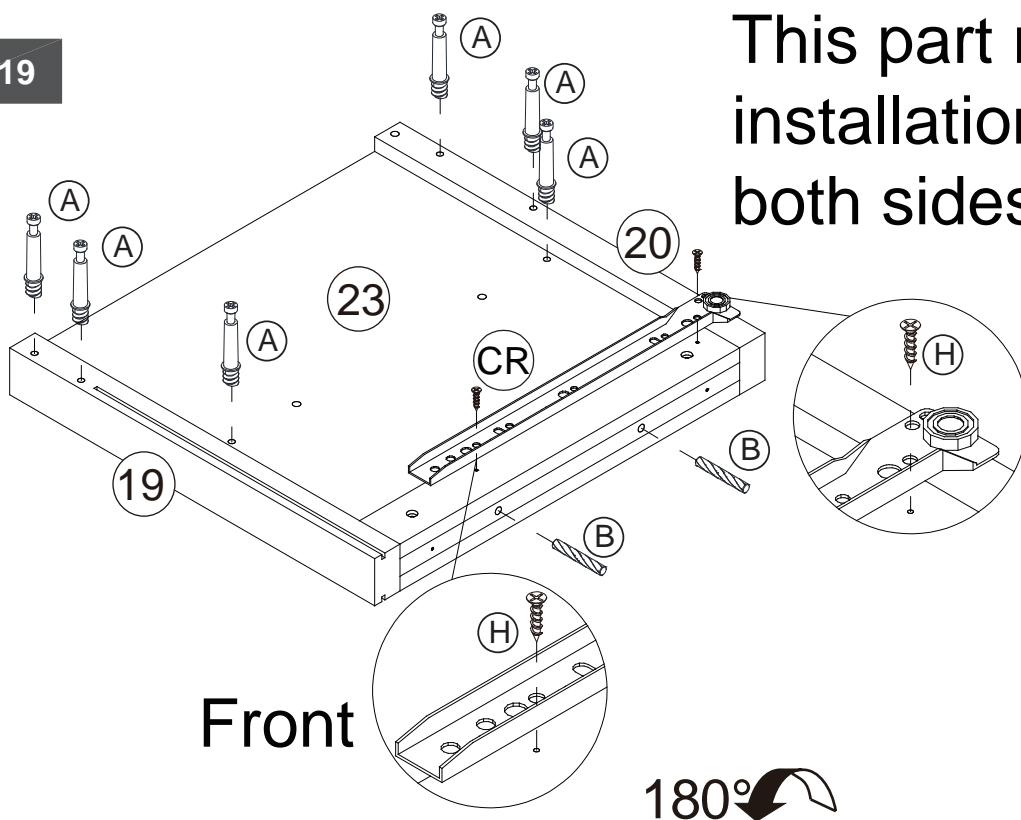


Cam Bolt x 2

Assembly Instructions

Step 19

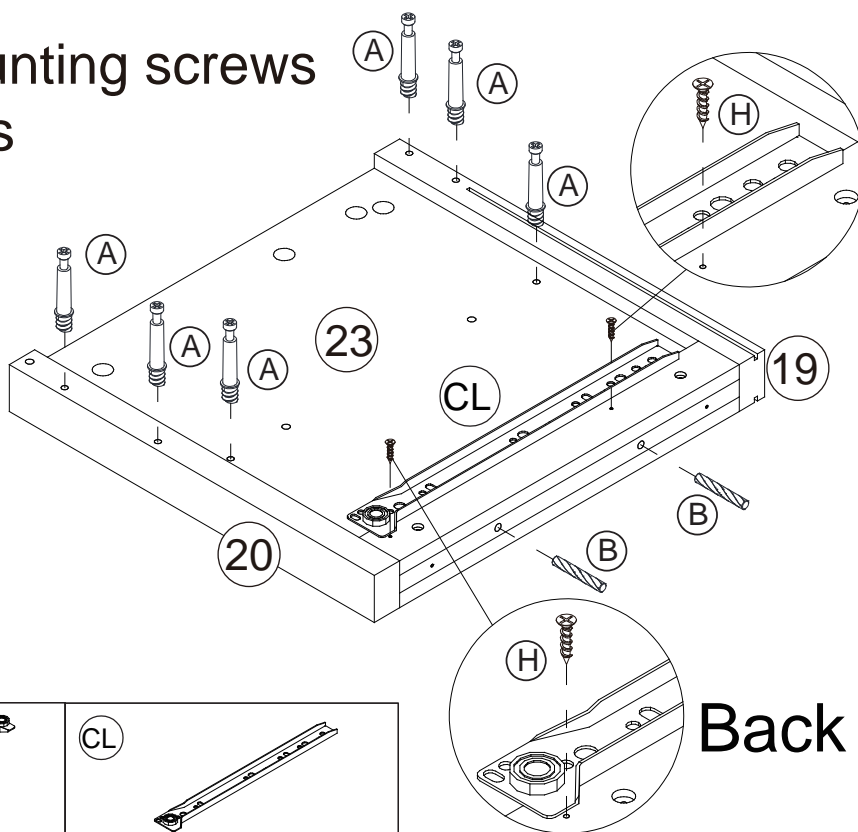
This part requires installations on both sides



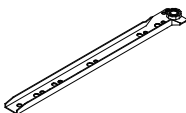
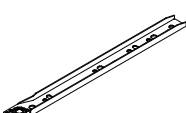
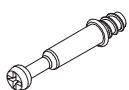


Front

180°

Part 6 requires mounting screws on both sides

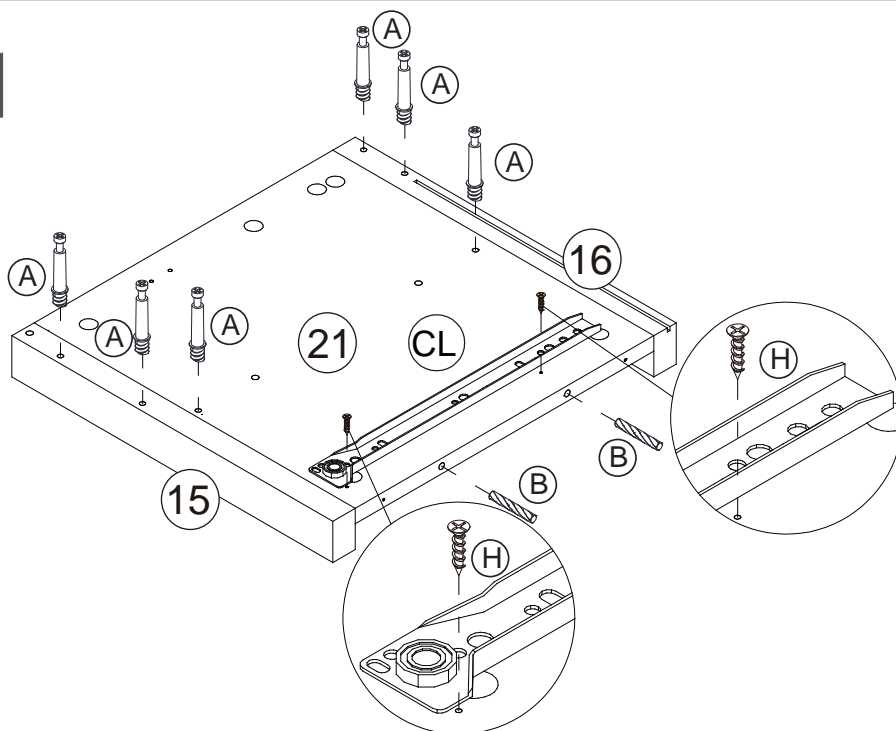


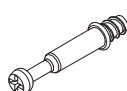


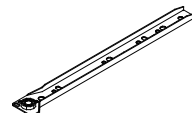
Back

| | |
|--|--|
| <p>(CR)</p>  <p>runner x 1</p> | <p>(CL)</p>  <p>runner x 1</p> |
| <p>(A)</p>  <p>Cam Bolt x 12</p> | <p>(B)</p>  <p>6*30mm Dowel x 4</p> |
| <p>(H)</p>  <p>3*12mm Screw x 4</p> | |

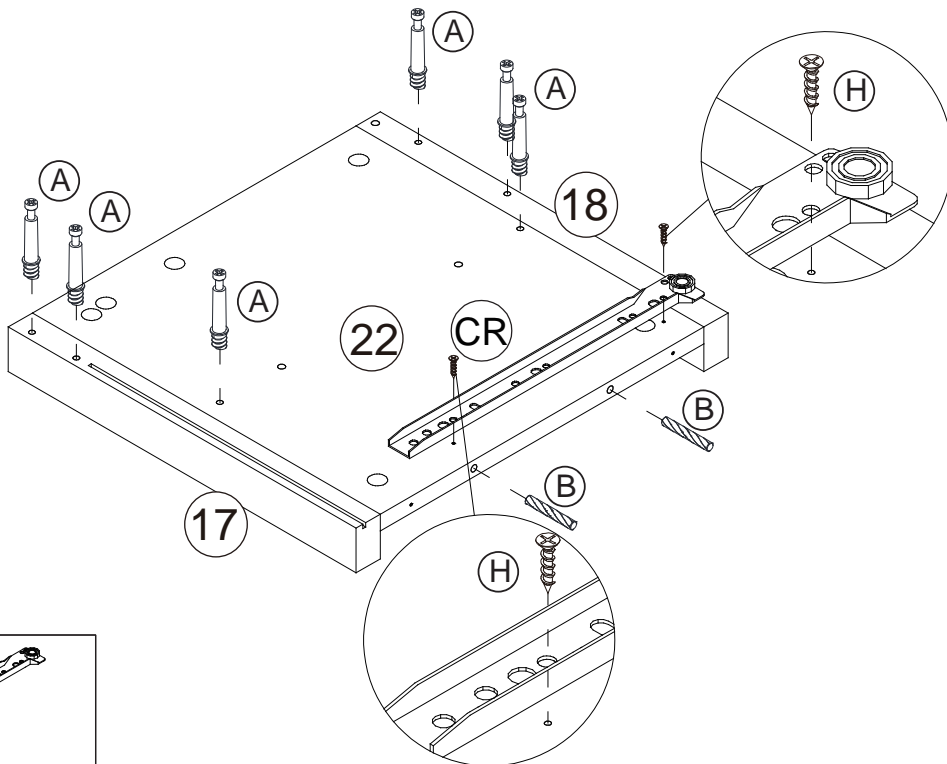
Assembly Instructions

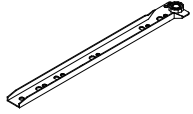
Step 20

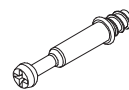
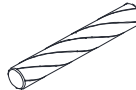



| | | | |
|---|---|--|--|
| <p>(A) </p> <p>Cam Bolt x 6</p> | <p>(B) </p> <p>6*30mm Dowel x 2</p> | <p>(H) </p> <p>3*12mm Screw x 2</p> | <p>(CL) </p> <p>runner x 1</p> |
|---|---|--|--|

Step 21



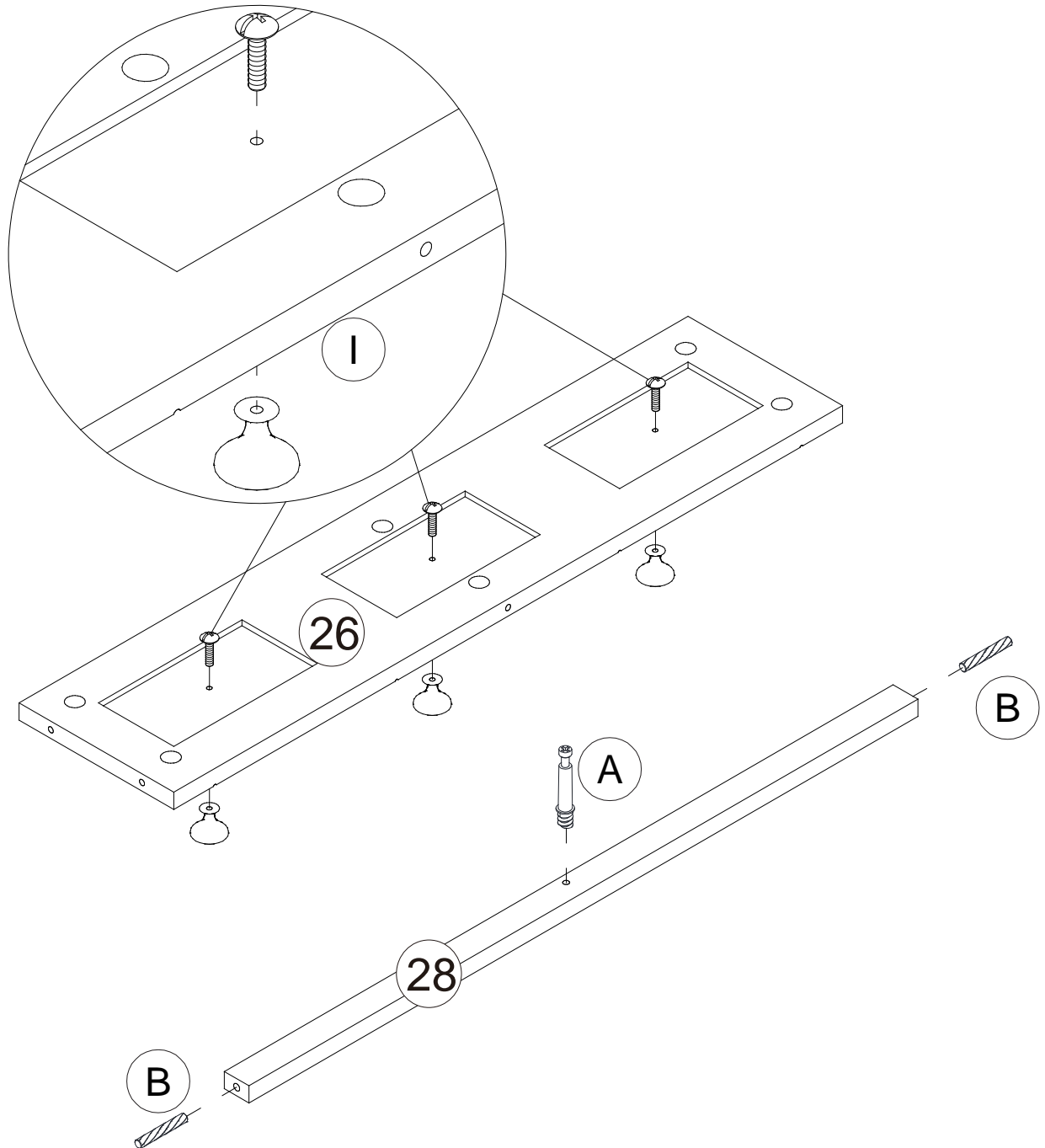
| |
|---|
| <p>(CR) </p> <p>runner x 1</p> |
|---|

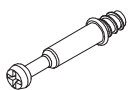


| | | |
|--|--|--|
| <p>(A) </p> <p>Cam Bolt x 6</p> | <p>(B) </p> <p>6*30mm Dowel x 2</p> | <p>(H) </p> <p>3*12mm Screw x 2</p> |
|--|--|--|

Assembly Instructions

Step 22

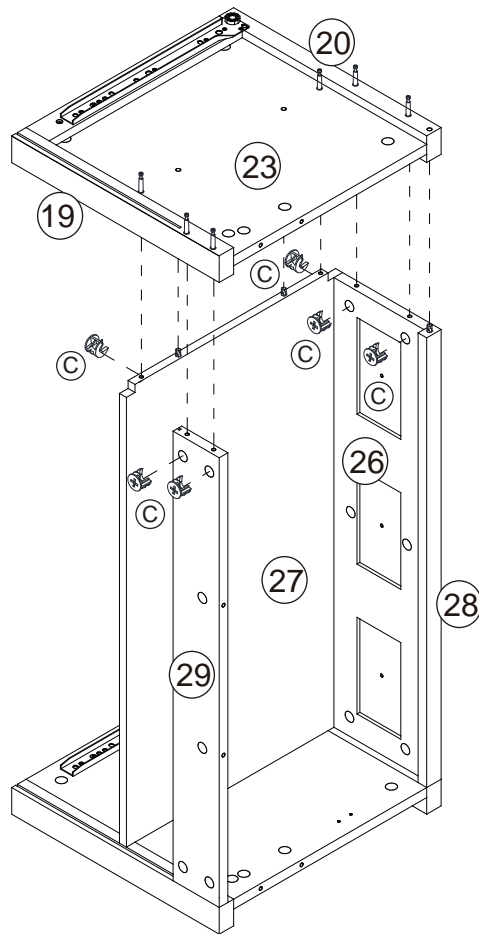
x2



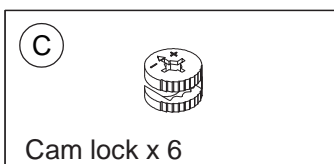
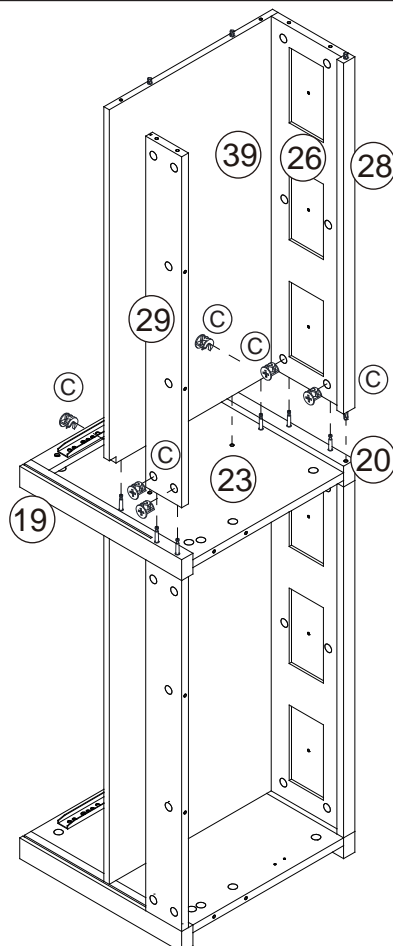
| | | |
|--|--|--|
| <p>(A) </p> <p>Cam Bolt x 2</p> | <p>(B) </p> <p>6*30mm Dowel x 4</p> | <p>(I) </p> <p>4*8mm Handle x 6set</p> |
|--|--|--|

Assembly Instructions

Step 25

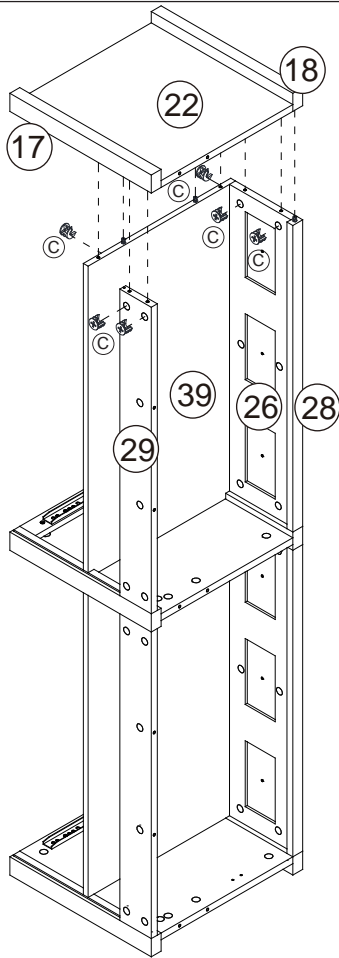


Step 26

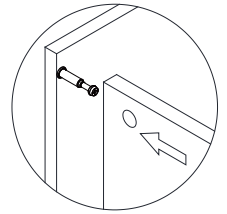


Assembly Instructions

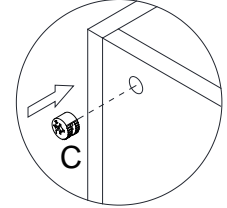
Step 27



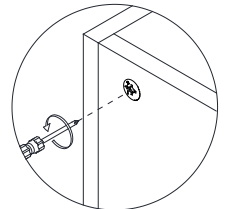
step1



step2



step3

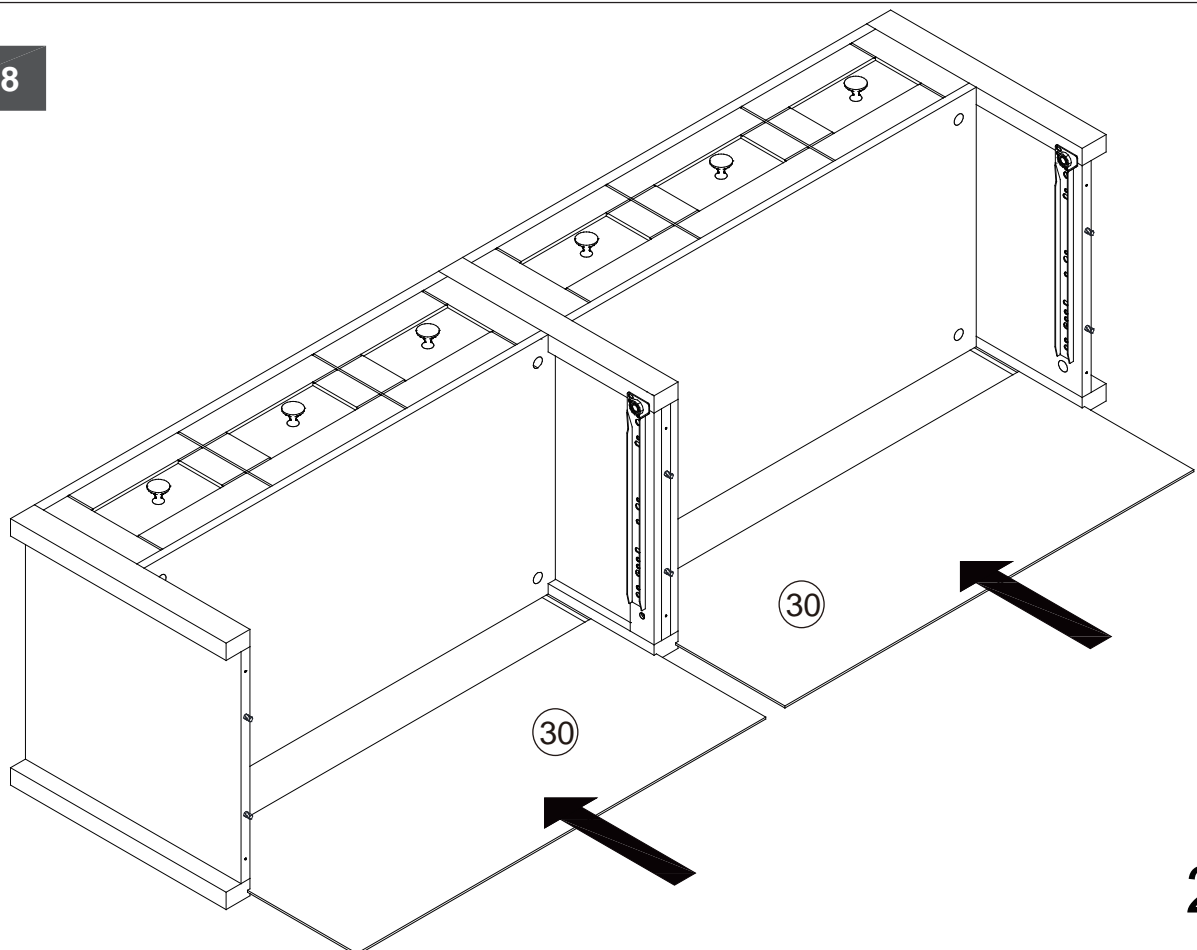


C



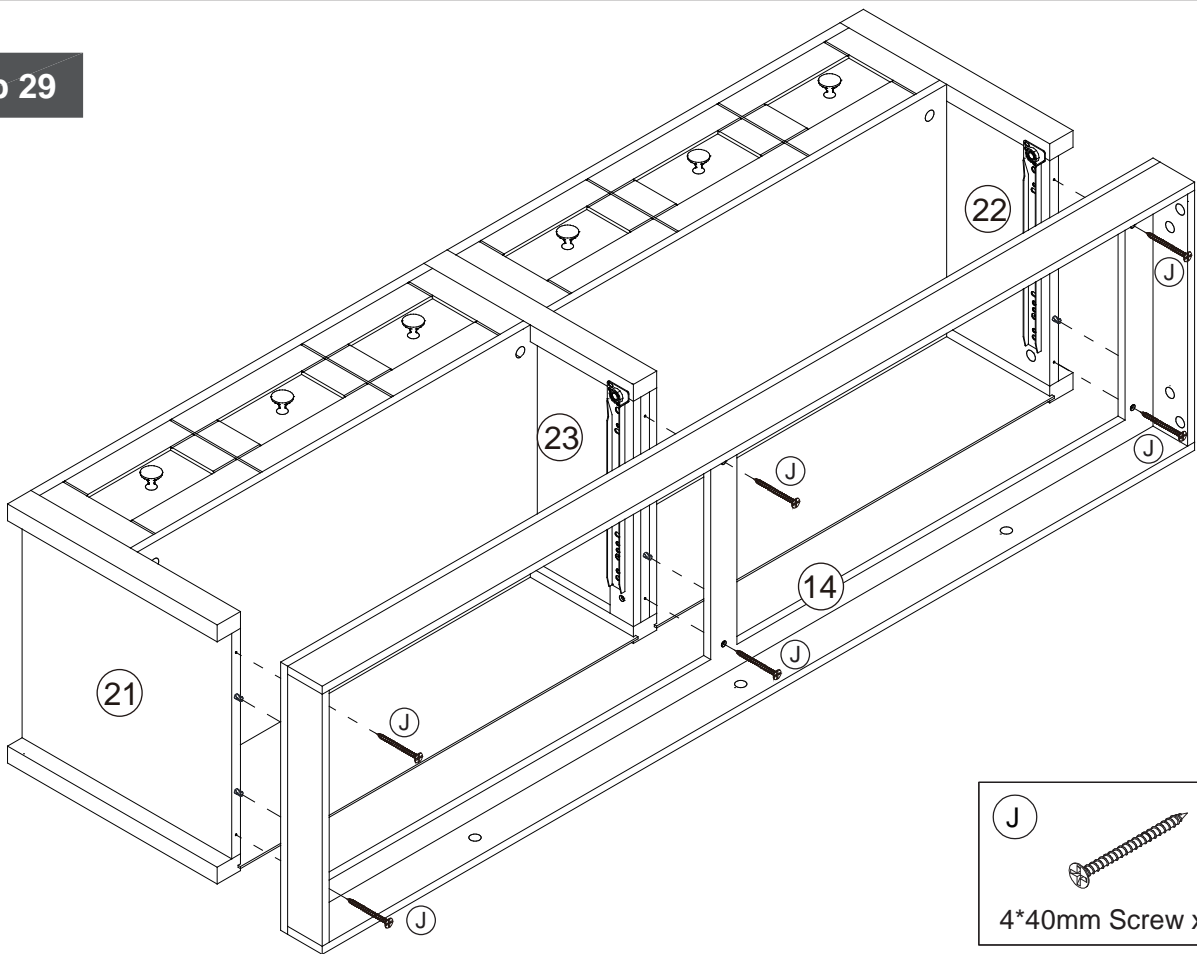
Cam lock x 6

Step 28

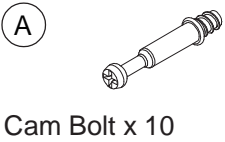
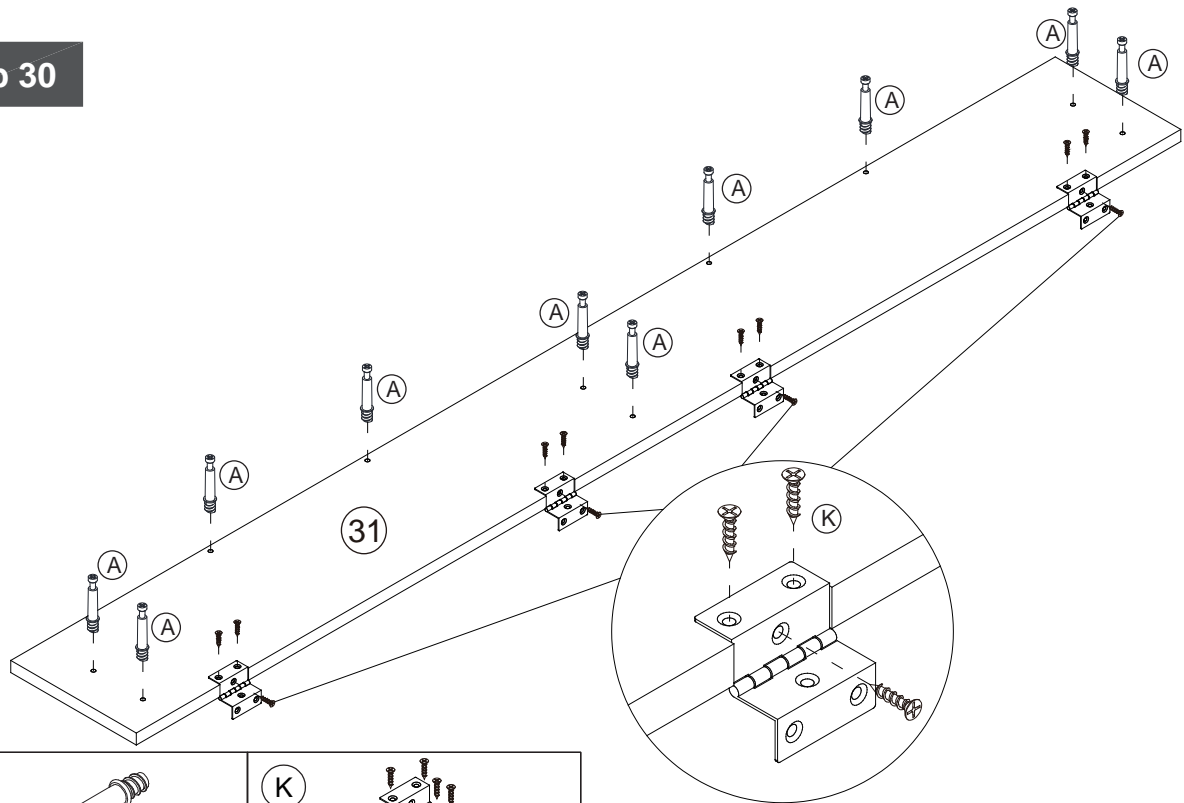


Assembly Instructions

Step 29

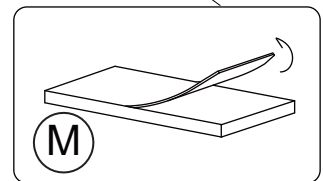
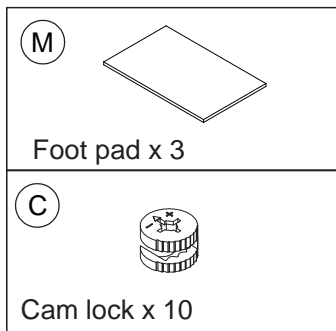
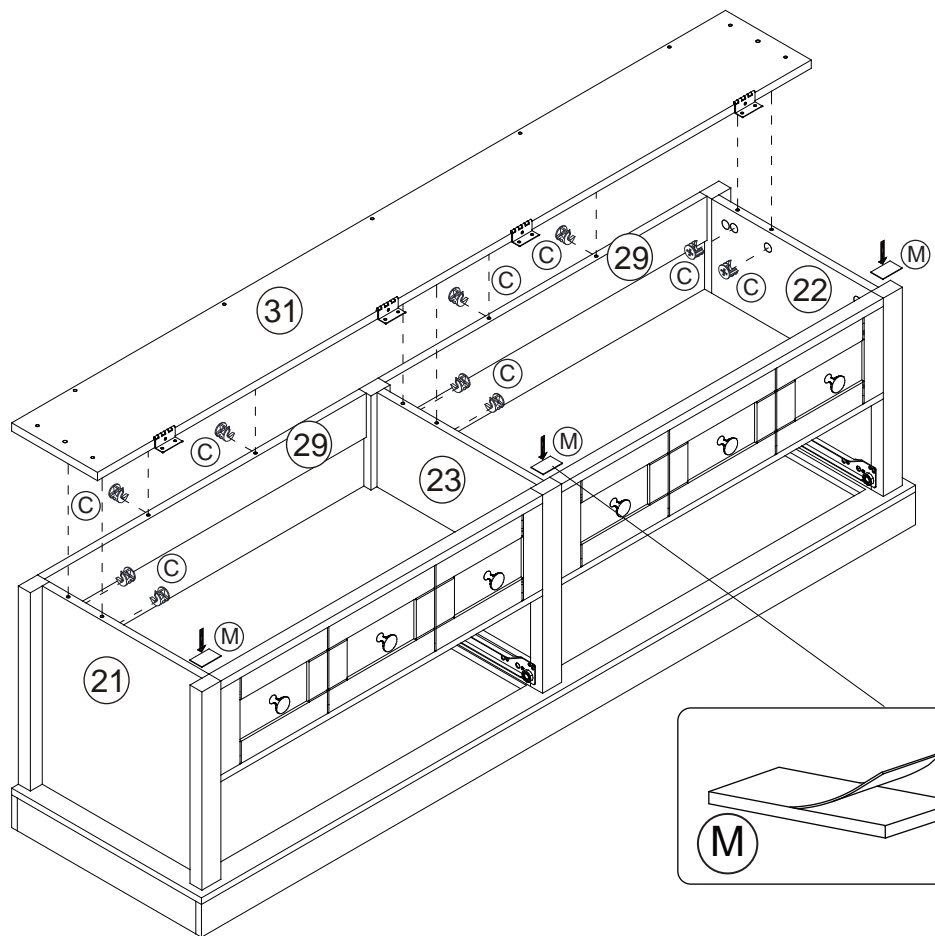


Step 30

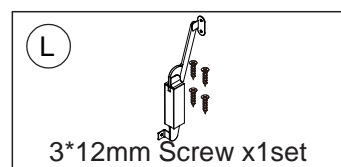
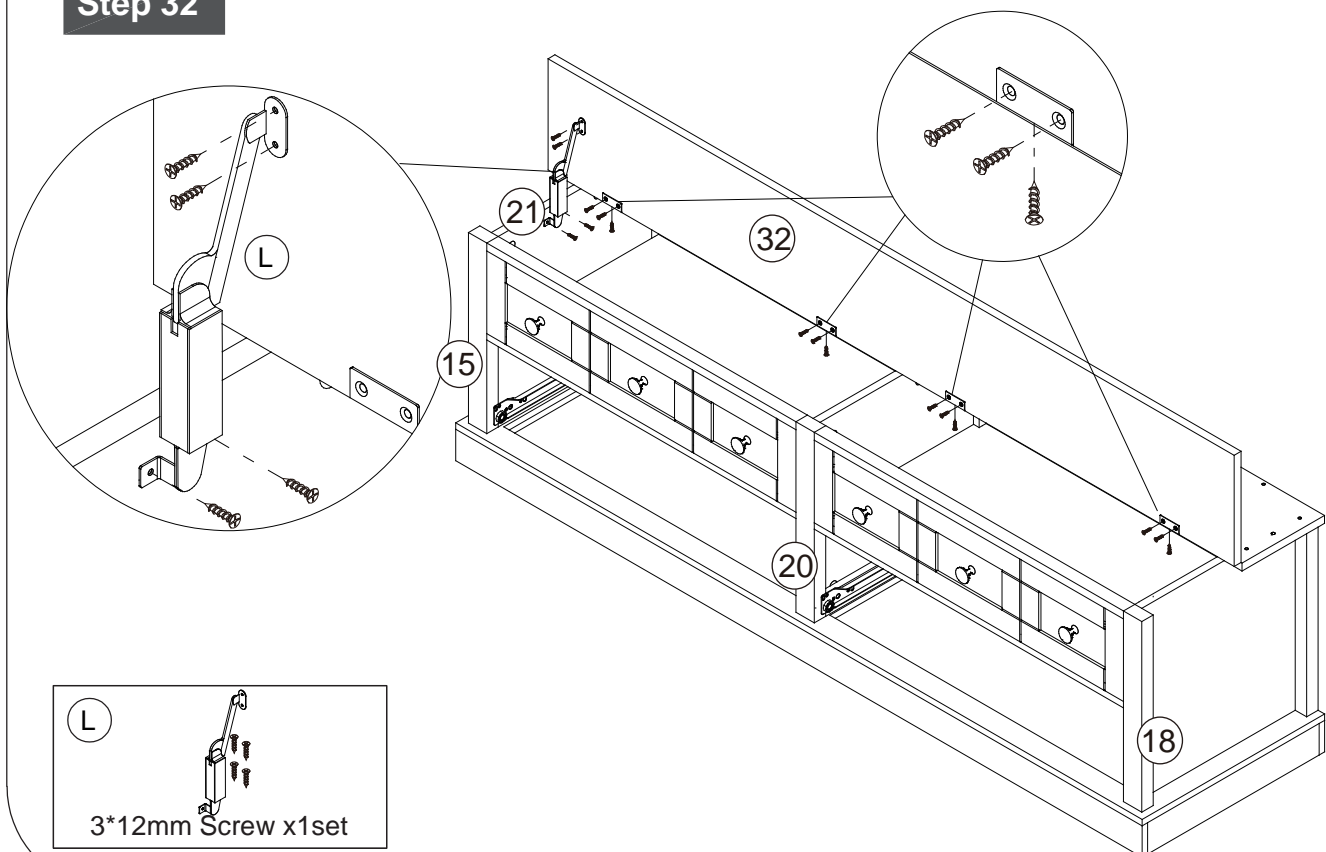


Assembly Instructions

Step 31

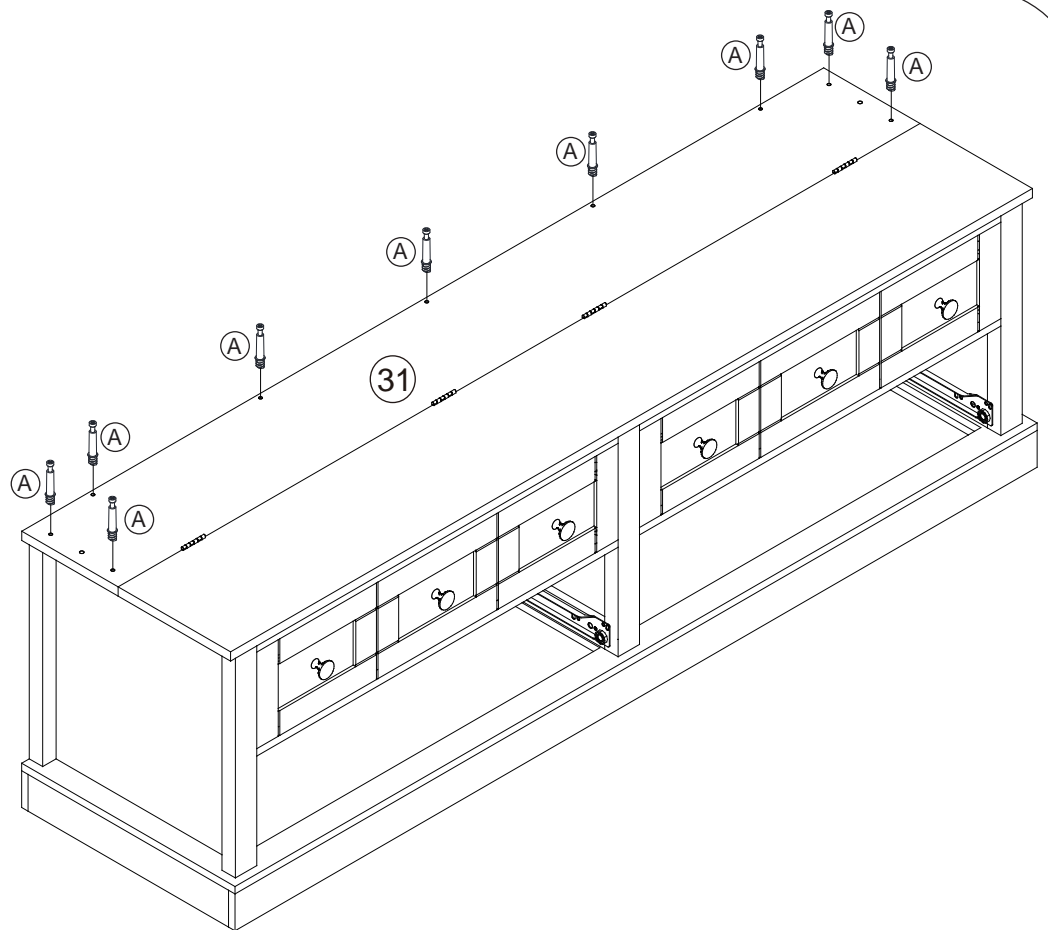


Step 32

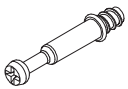


Assembly Instructions

Step 33

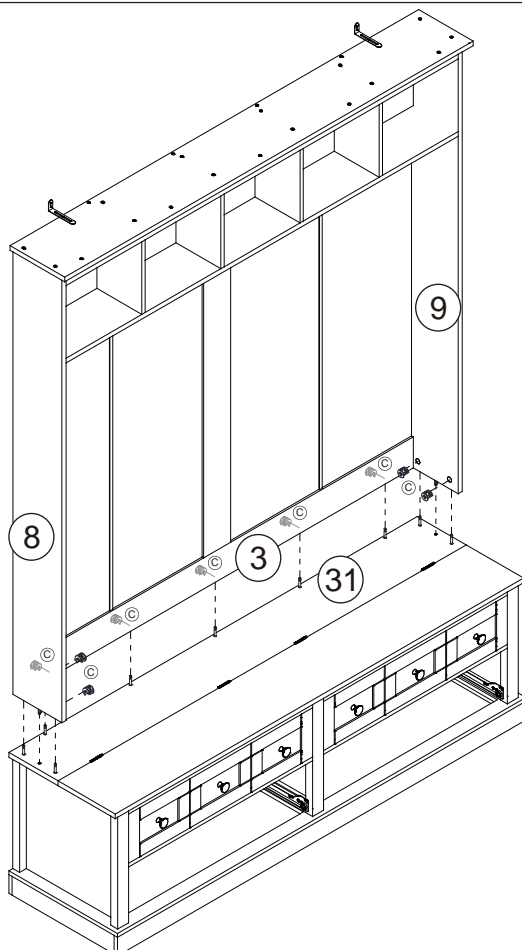


A



Cam Bolt x 9

Step 34

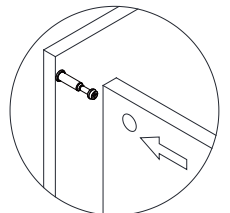


C

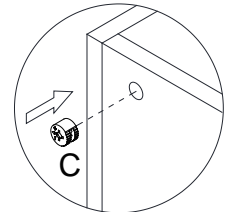


Cam lock x 9

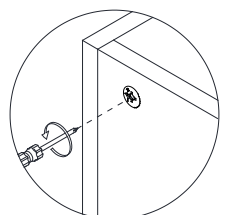
step1



step2



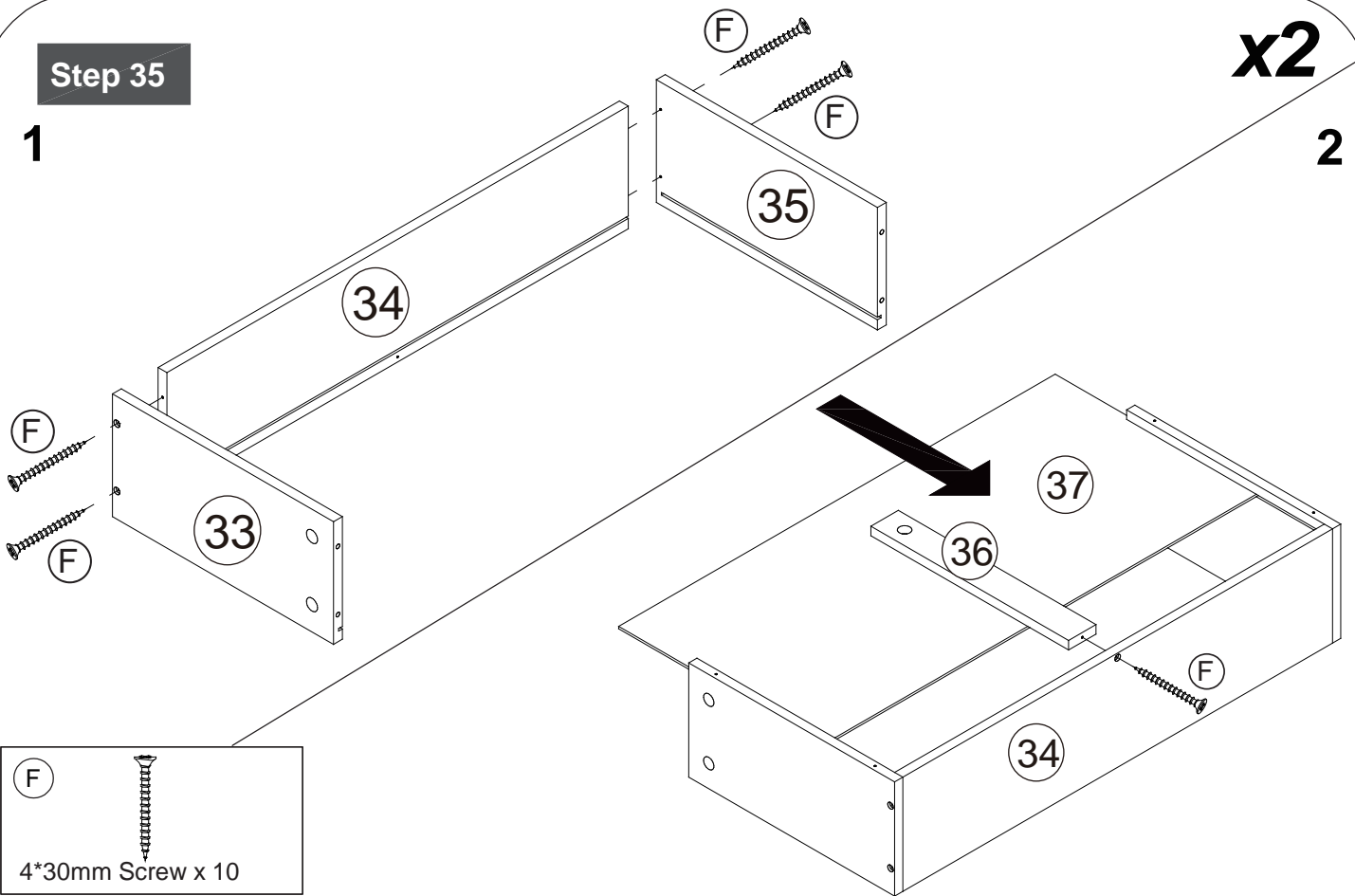
step3



Assembly Instructions

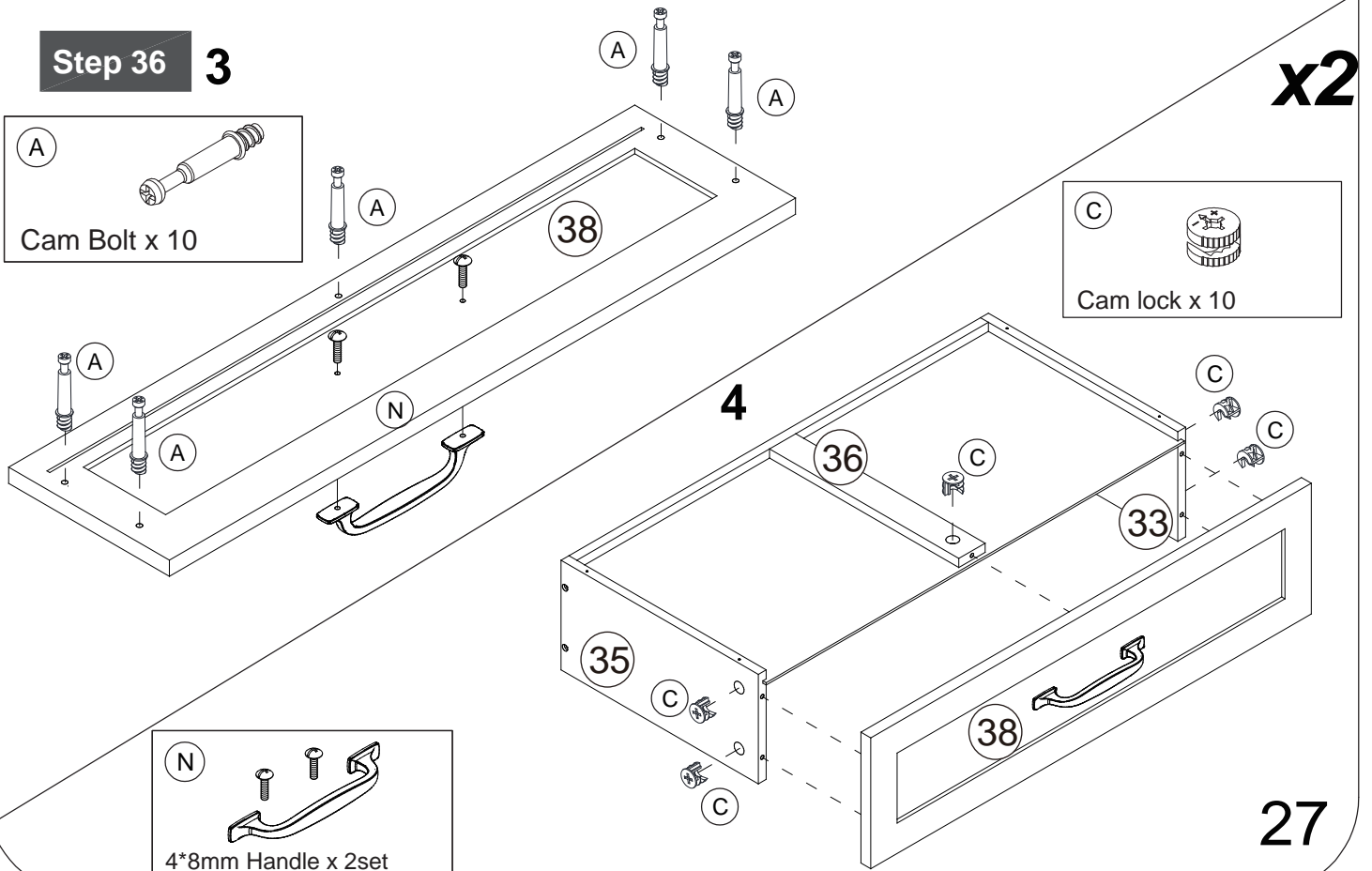
Step 35

1



Step 36

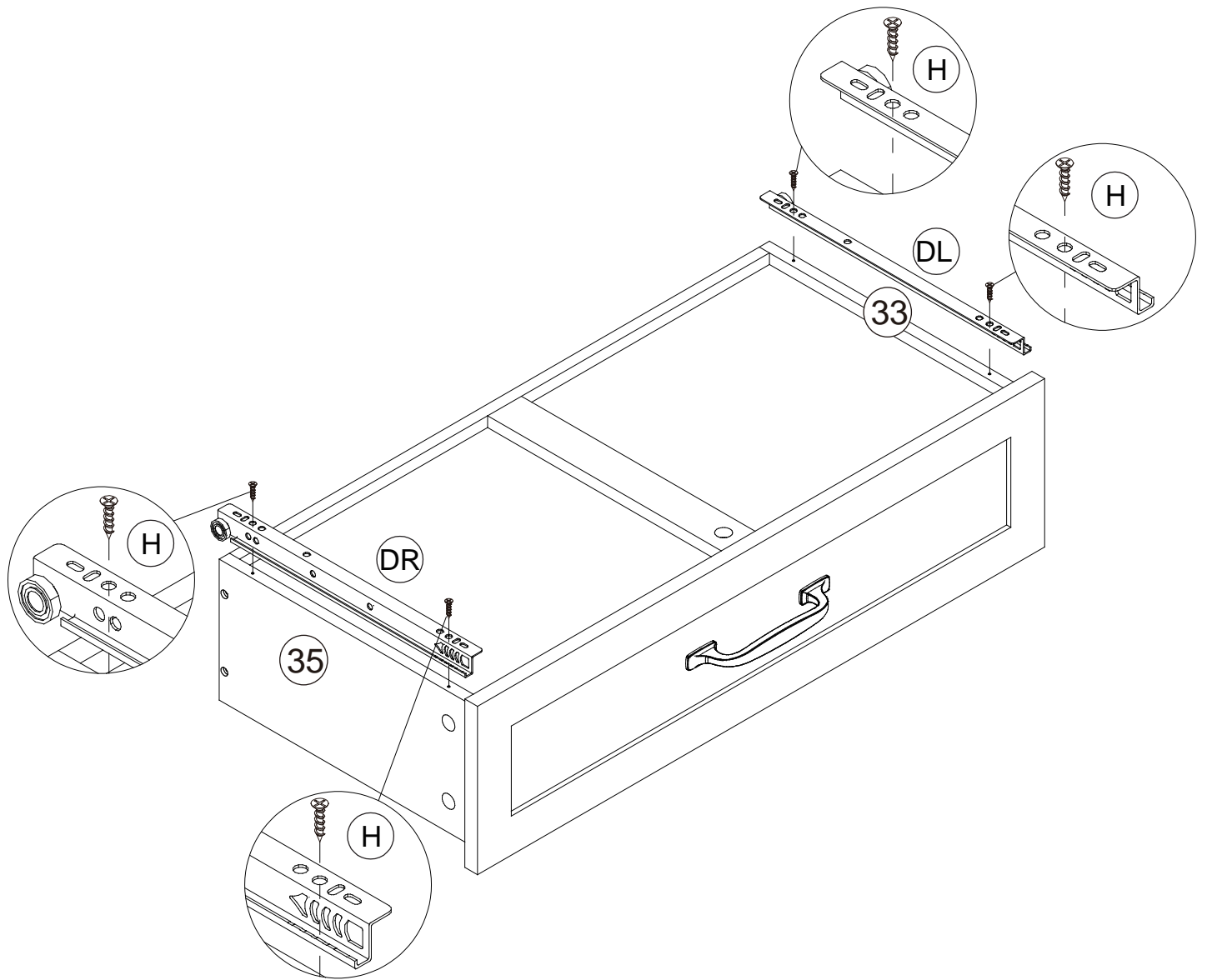
3


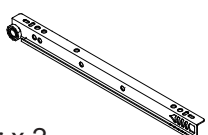
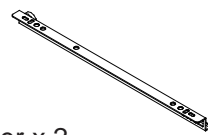


27

Assembly Instructions

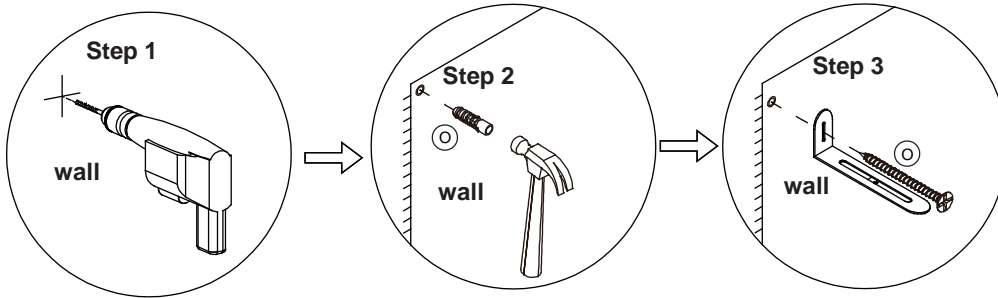
Step 37 **x2**



| | | |
|--|---|--|
| <p>(H)</p>  <p>3*12mm Screw x 8</p> | <p>(DR)</p>  <p>runner x 2</p> | <p>(DL)</p>  <p>runner x 2</p> |
|--|---|--|

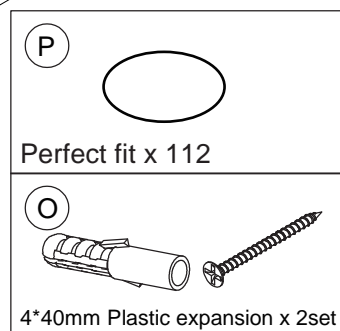
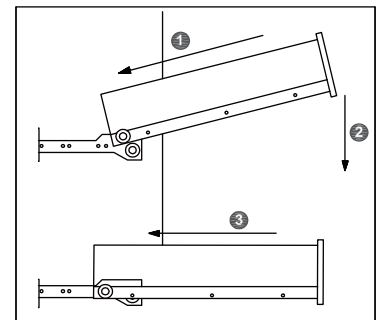
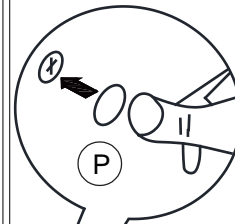
Assembly Instructions

Step 38



WALL

Use stickers to cover cam locks



Assembly Instructions

Finish

