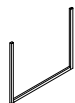
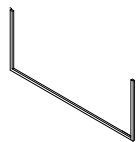


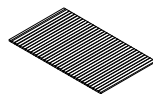
Dining table



A: 2PCS



B: 2PCS



C: 1PCS



D: M6*55*8PCS



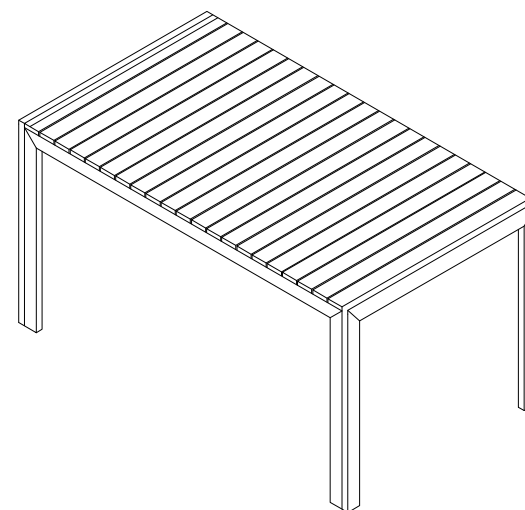
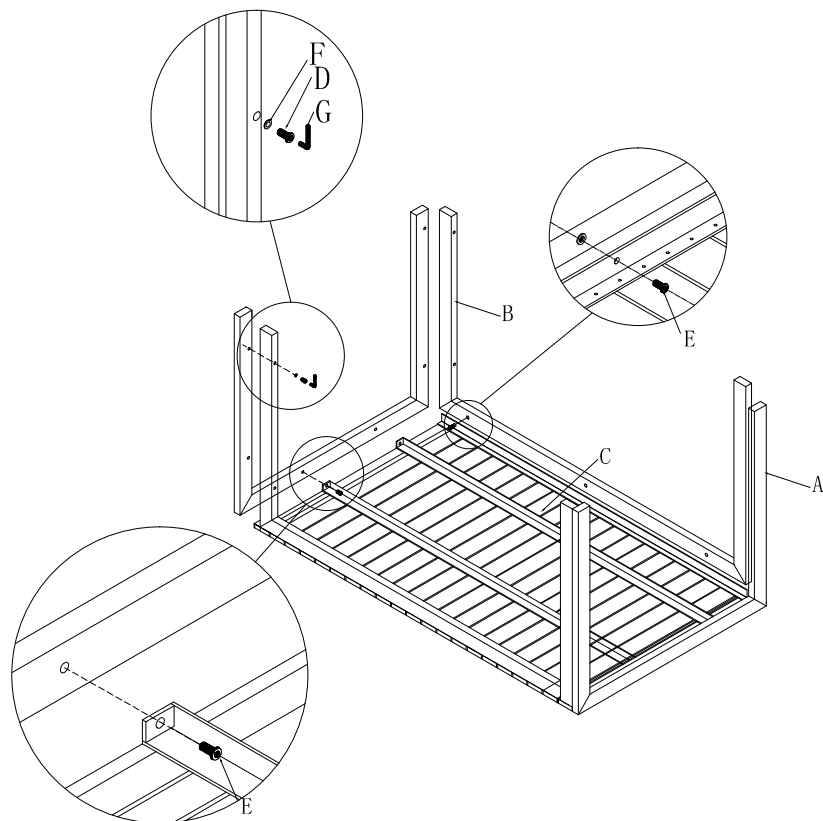
E: M6*15*12PCS



F: $\phi 16 * \phi 6.5 * 1.0 * 8$ PCS



G: 4MM*1PCS



Please assemble all components firstly, then tightly fix all screws.