

WARNING:

- ◆ Do not dispose of any packaging or contents of the shipping carton until assembly is completed to avoid accidentally discarding small parts or hardware.
- ◆ **WARNING! DO NOT MOUNT THIS ITEM ABOVE CRIBS, BEDS, or CHANGING TABLES"**
- ◆ Note: Maximum total weight capacity per shelf for this product is 15 pounds in total (6.8KG)

Care Instructions:

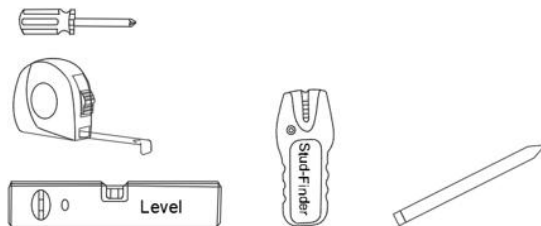
- ◆ Dust often using a clean, soft, dry and lint-free cloth.
- ◆ When blot spills, wipe with a clean, damp cloth immediately.
- ◆ We do not recommend the use of chemical cleansers, abrasives or furniture polish on our lacquered finish.

Tools Needed: Tape Measure, Stud Finder, Philips Screwdriver, Pencil, AND Appropriate cutting and framing tools to cut an accurate hole in a wall and properly frame the cut opening.



X2

Professional installation is strongly recommended (Not Provided)



Parts Included:

A



x1

B



x4

C



x2

D

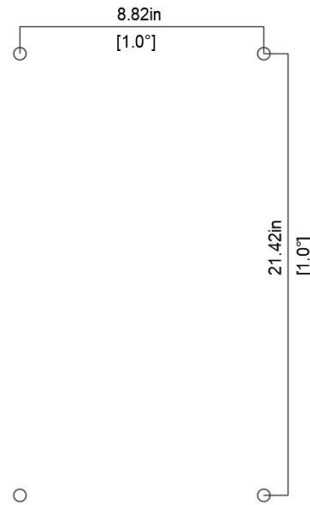
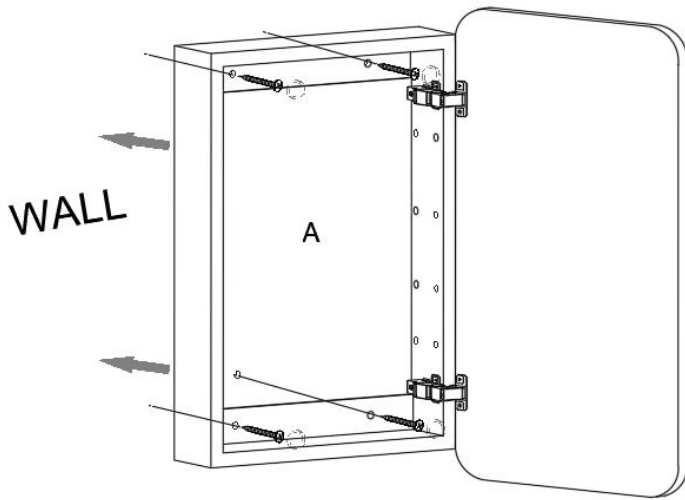
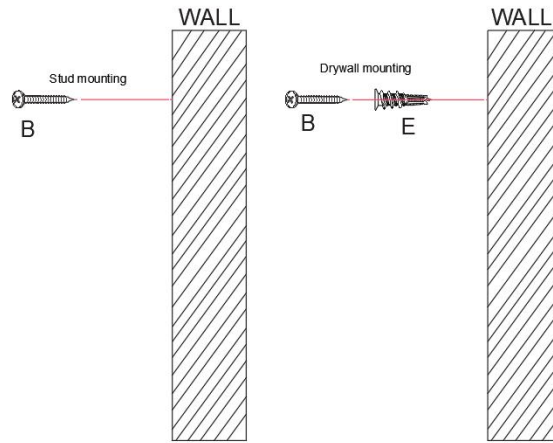
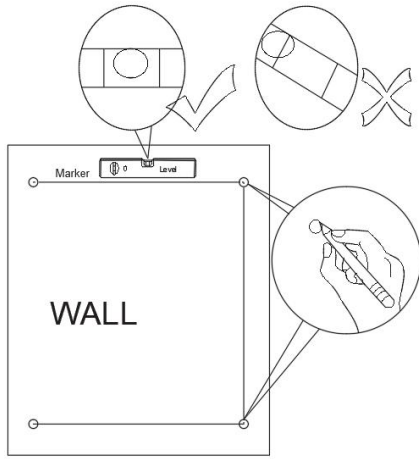


x8

E

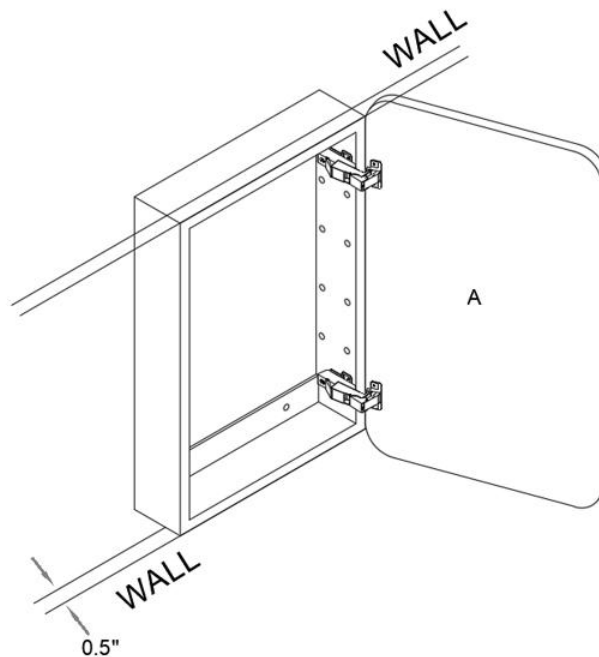
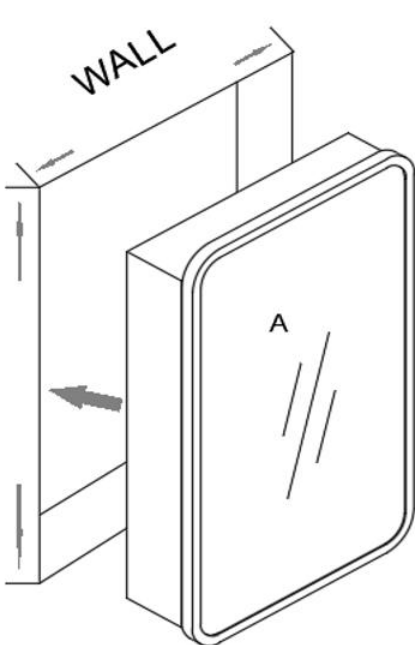


x4



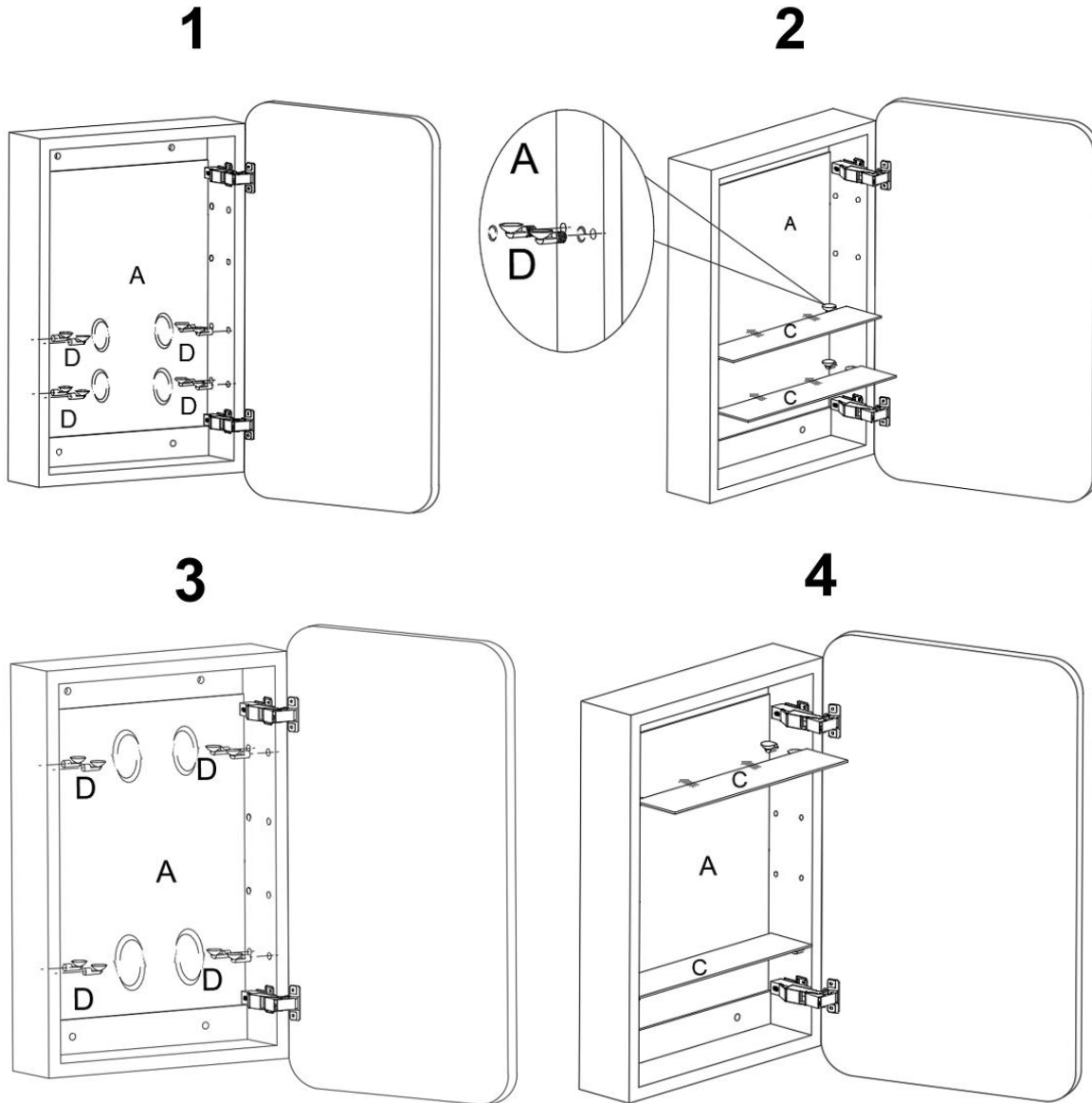
Mounting Instructions: (Assembly Option 2 - Recess Mounted)

- a. Measure a space with 18.7 inches (47.5cm) wide and 25.28 inches (64.2 cm) in height for the Cabinet body, blocking is recommended to ensure adequate support, Inset box measurements will vary according cabinet box dimension.
- b. Install the cabinet with recessed box set back within the wall cavity. That the front edge of cabinet frame protrudes 0.5 inches(1.27cm) beyond finished wall condition.
- c. Mount cabinet by fastening the enclosed slotted head screws from inner side panels. The screws can be used for installation into wood frame only.



Install the shelves :

- 1 . Holes are reserved on the inner wall of the cabinet, and the "D" accessories can be put into the card slot correspondingly.
- 2 . Each cabinet has four floors. Each layer can be exchanged at will, the corresponding exchange only "D" accessories.



Note:

After the cabinet is installed, if the door do not appear square or aligned, loosen or tighten the appropriate screws on each case hinge as illustrated.

