

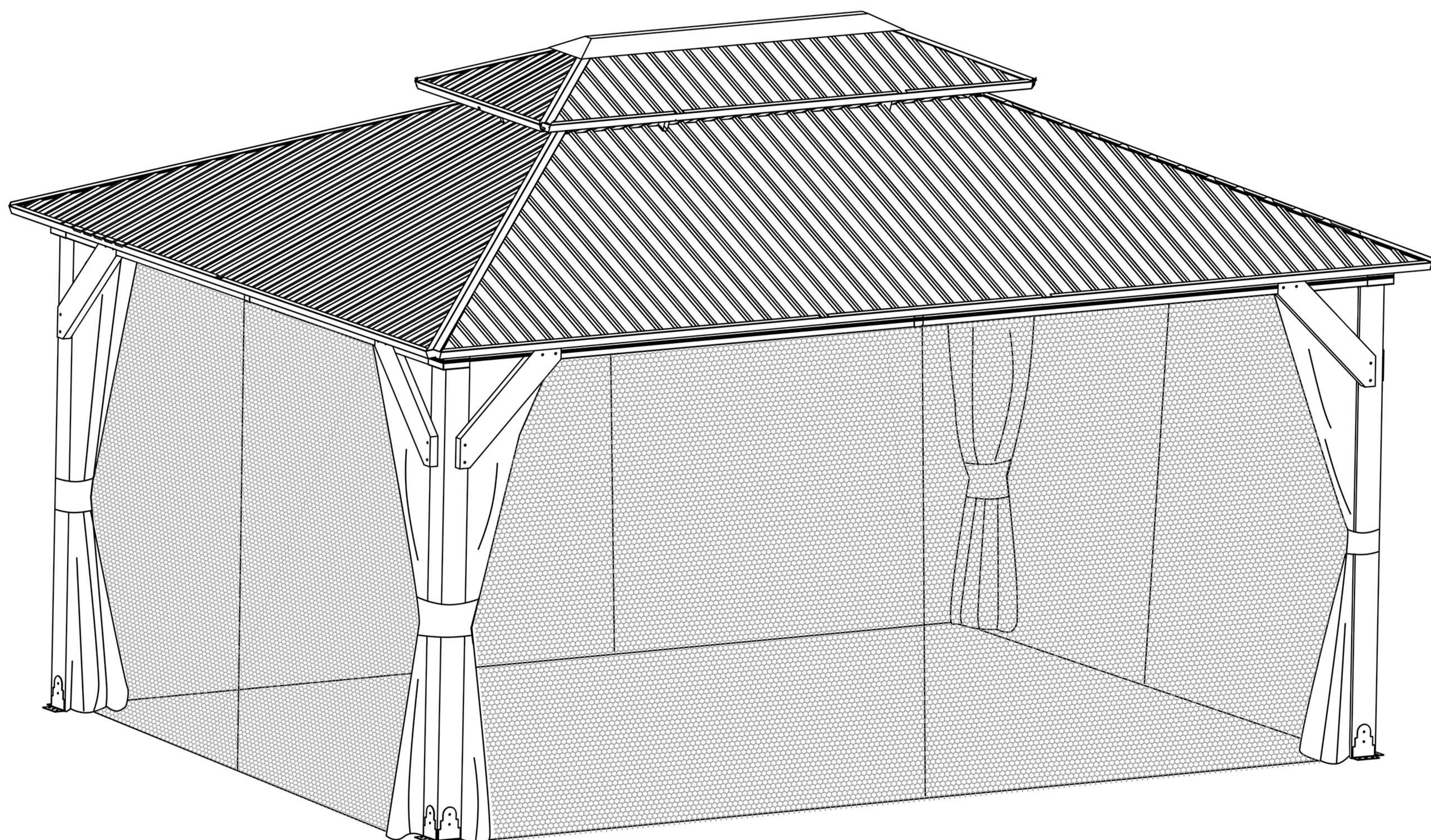
Metal Roof

Cedar Wooden Gazebo

12X16FT

SKU: A001G054-1  
A001G054-2  
A001G054-3  
A001G054-4  
A001G054-5

# ASSEMBLY INSTRUCTIONS



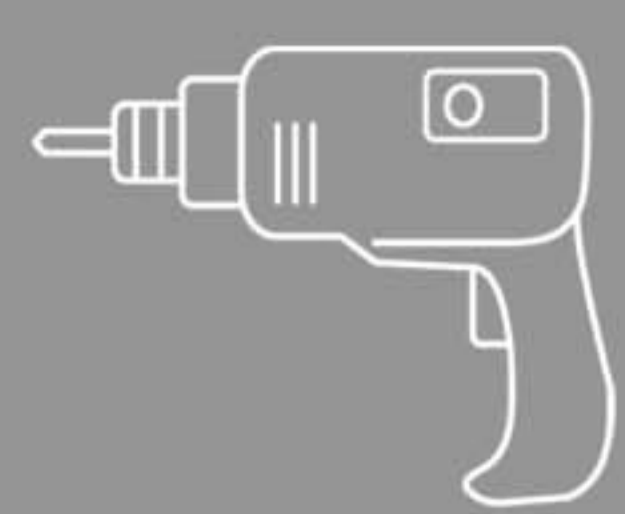
Please check the number of parts in the following accessory catalogue when unpacking. We have sent you more small parts for spare. If there is any missing or any questions about the installation. Please feel free to contact us. We will reply within 24 hours.



E-mail: [cs.helper01@gmail.com](mailto:cs.helper01@gmail.com)

## TOOLS RECOMMENDED

\*NOTE: The recommended tools are not included in boxes and need to be prepared by yourself.



DRILL



RUBBER Mallet



STEPLADDER  
(6.5Ft Or More)



SAFETY HAT



GLOVES



SAFETY GOGGLES

## ATTENTIONS



Since it is easy to lose many small accessories during the installation, please collect all the screw accessories before the assembly is completed



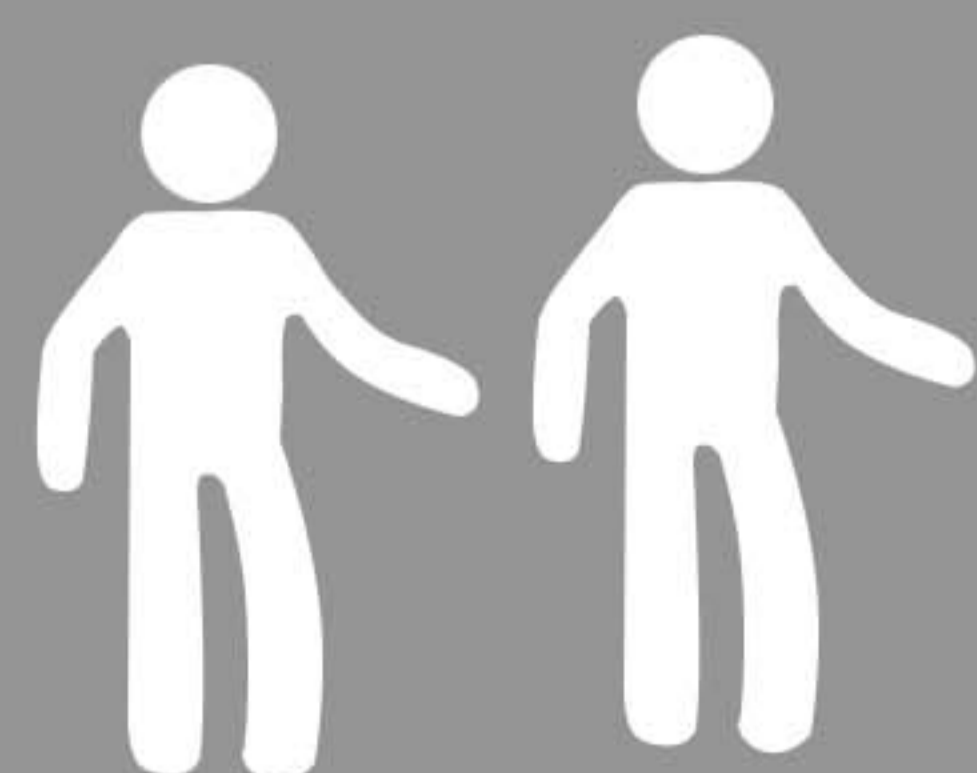
To better align the screws for practical situations, do not fully tighten screws initially



Please reinforced the Gazebo and do not use in heavy winds or inclement weather



Make sure all screws are tightened before use and check all screws, buckles and straps every 90 days



Two or more people are required for assembly



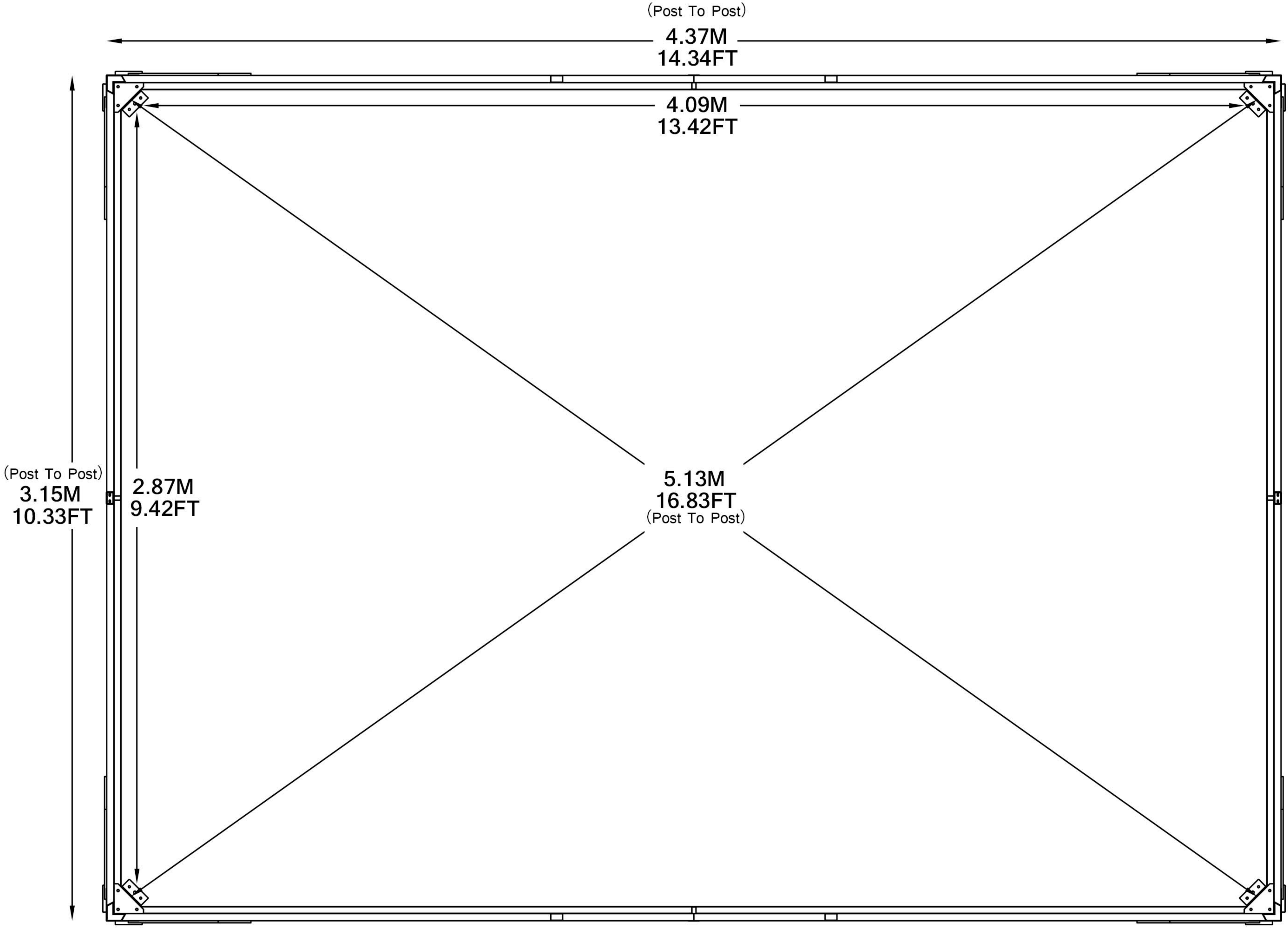
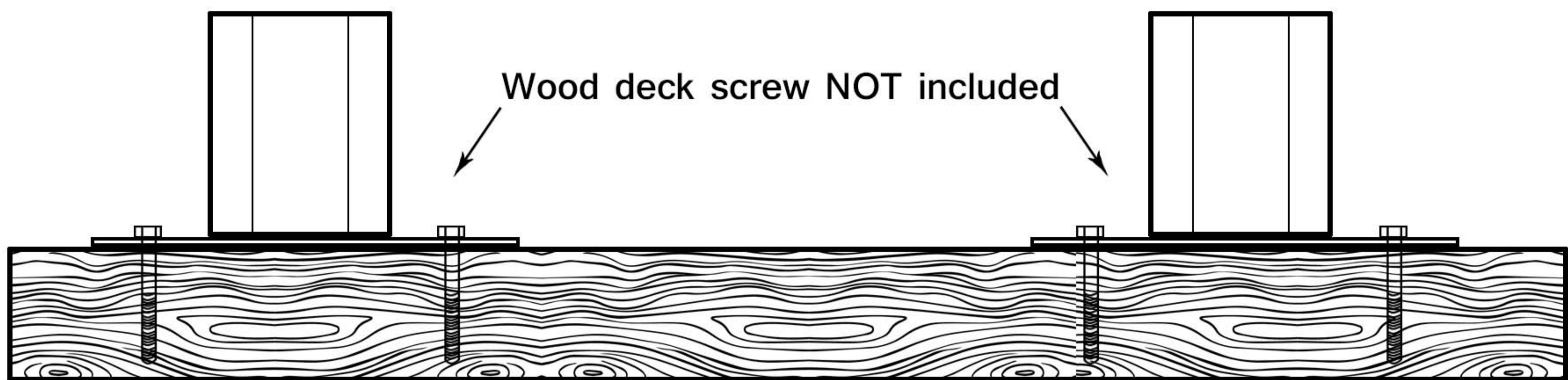
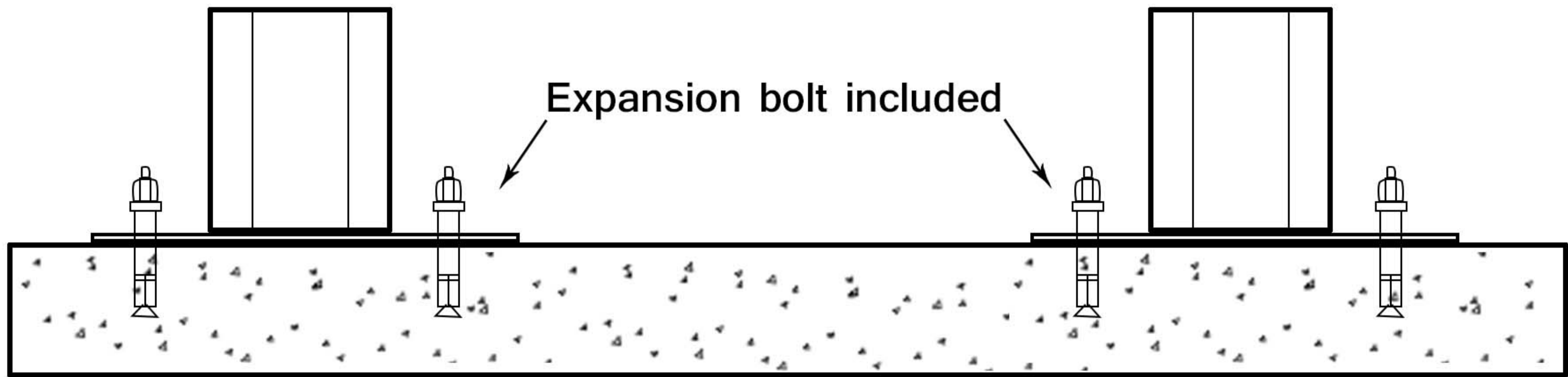
Please clear the snow off the roof in time for the heavy snowfall and do not use it

Please take care of the screws and contact the after-sales service if there is any problem with the installation or parts.



# Permanent Installation Examples

Our supporting expansion screws can only be used for cement floors, customers need to bring their own special screws if they are used for wood floors

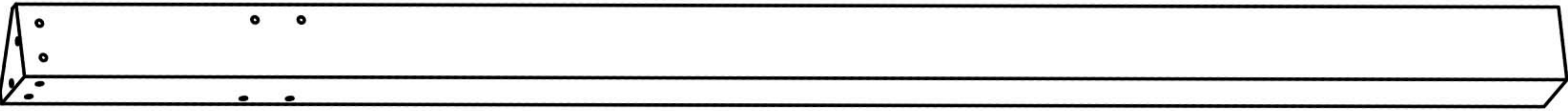
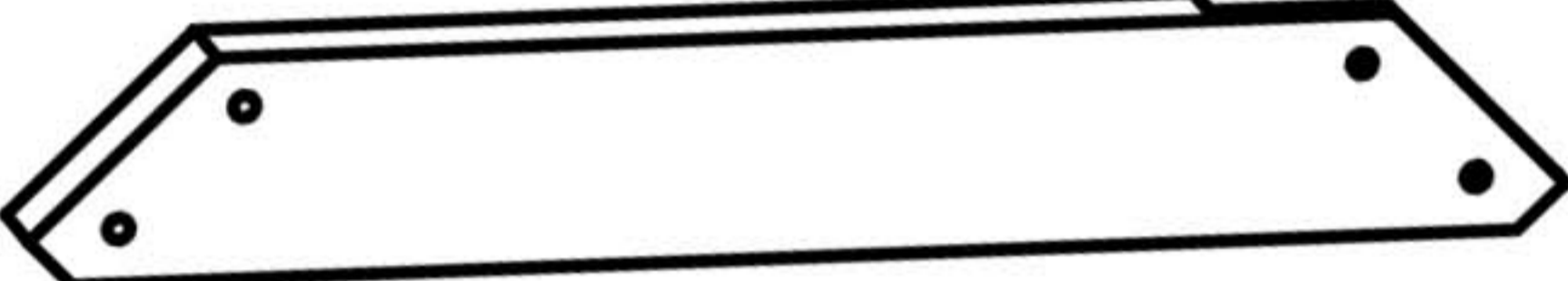
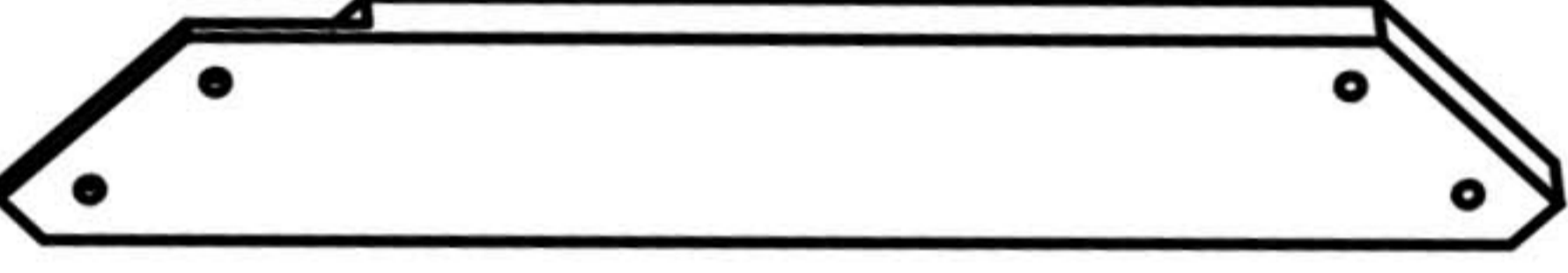
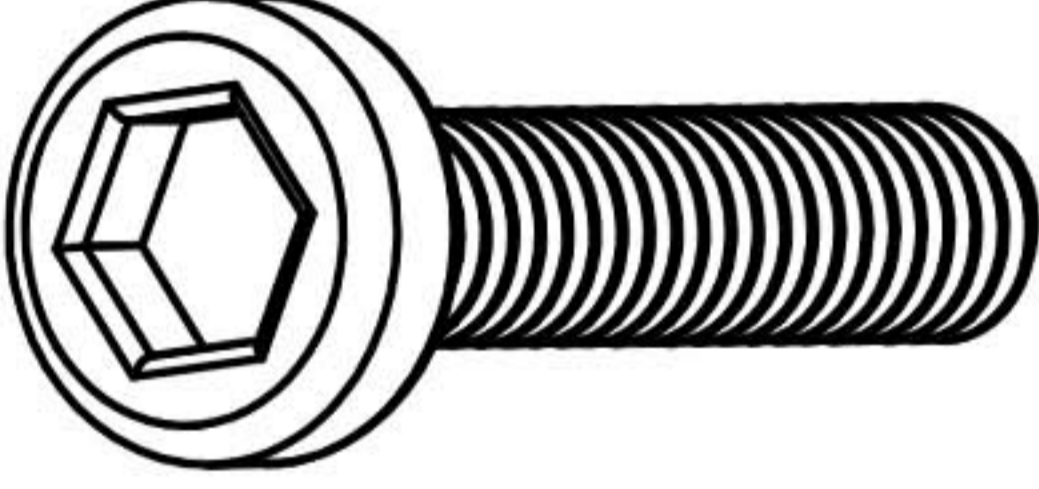
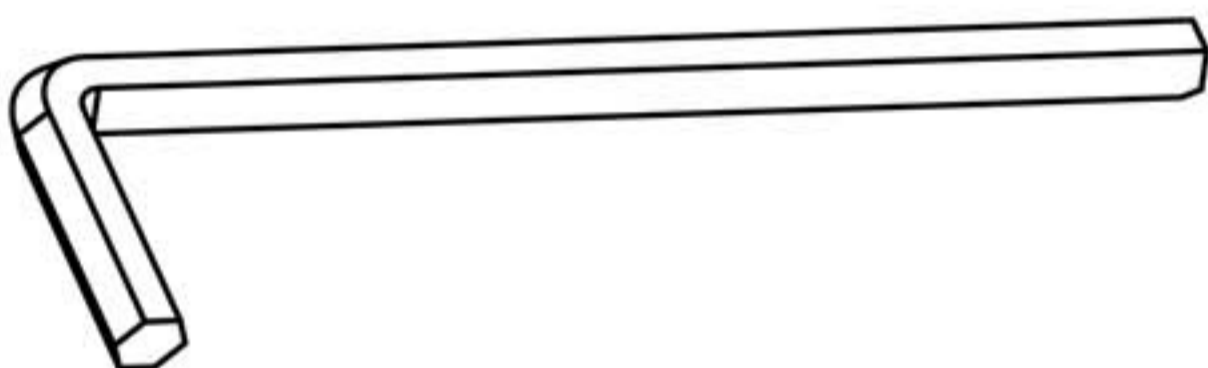


Please take care of the screws and contact the after-sales service if there is any problem with the installation or parts.

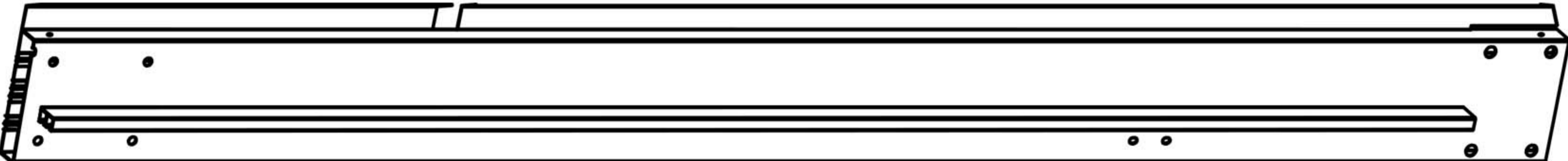
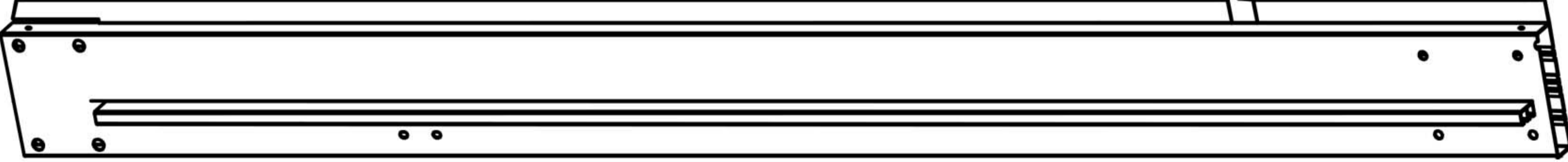
➔ ✉ E-mail: [cs.helper01@gmail.com](mailto:cs.helper01@gmail.com)

# ACCESSORY CATALOGUE

## BOX 1 SKU: A001G054-1

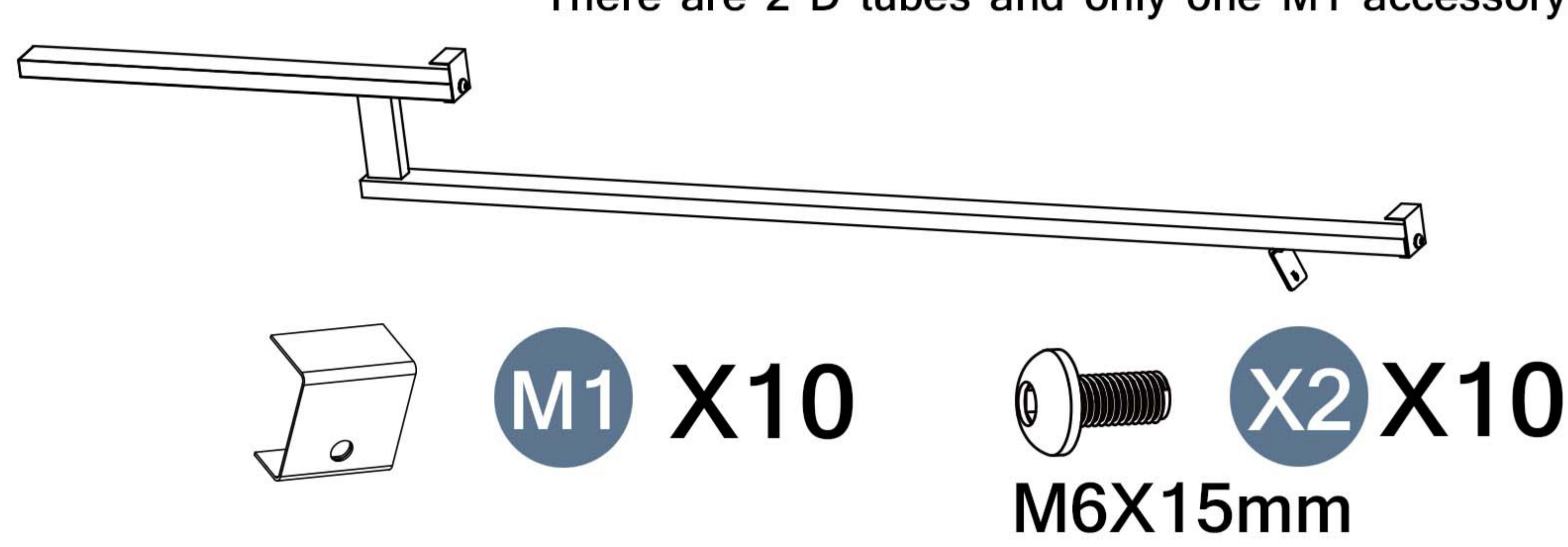
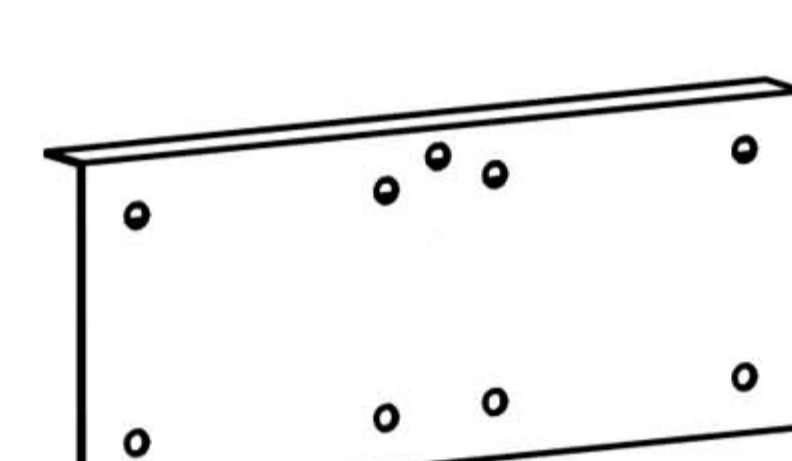
Item no.	Reference Image	Qty.
<b>A</b>		4
<b>F</b>		4
<b>F1</b>		4
<b>X</b>	 M8X50mm	16
<b>1</b>		1

## BOX 2 SKU: A001G054-2

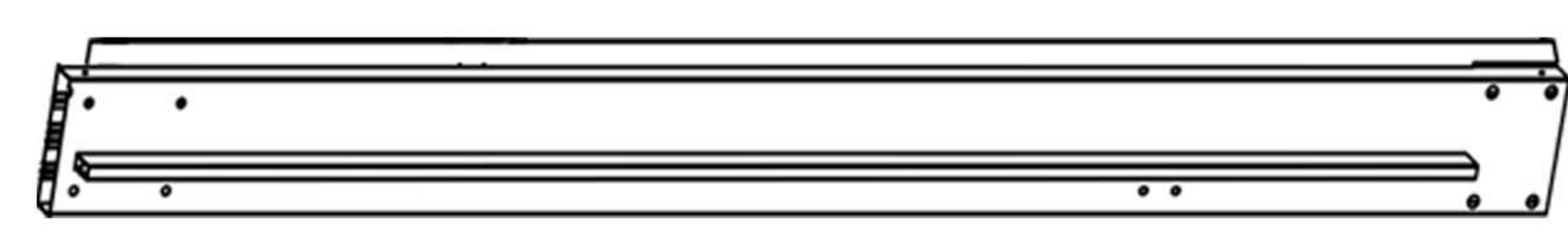
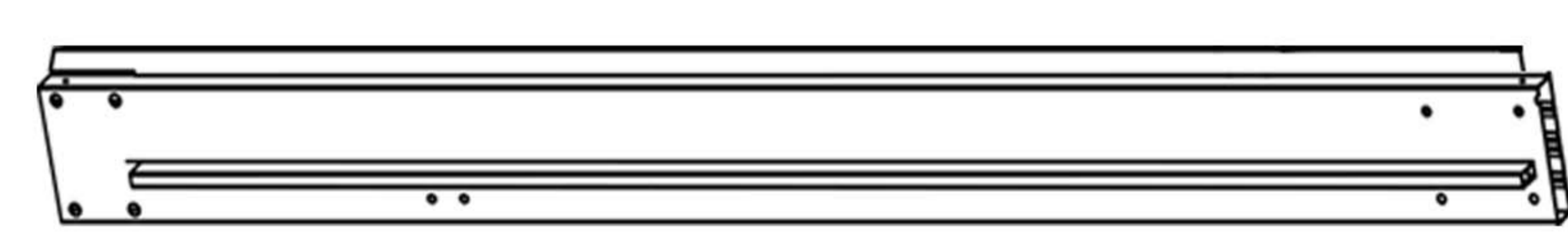
Item no.	Reference Image	Qty.
<b>B</b>		2
<b>B1</b>		2

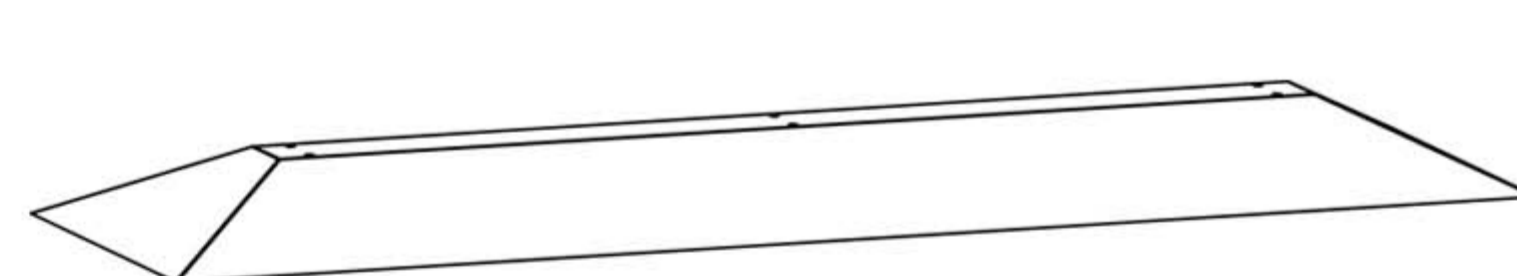
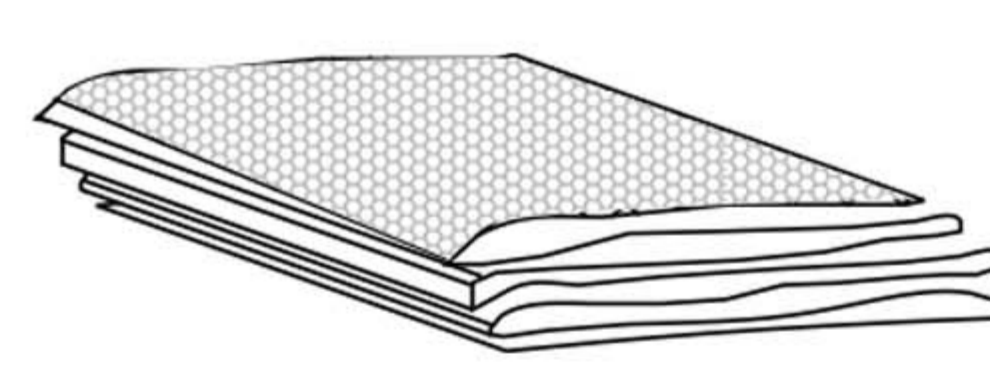
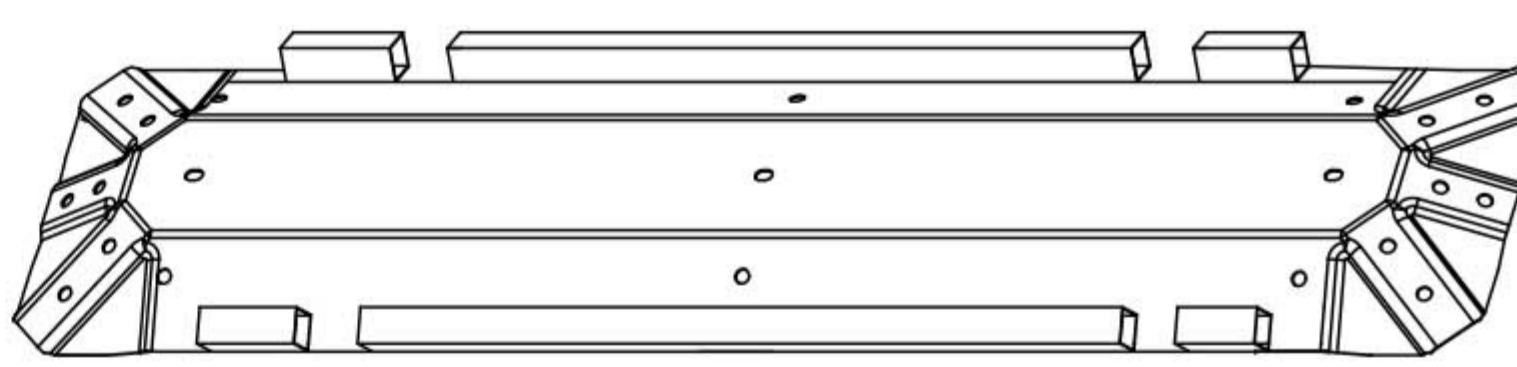

Please take care of the screws and contact the after-sales service if there is any problem with the installation or parts.

# ACCESSORY CATALOGUE

Item no.	Reference Image	Qty.
<b>D</b>	<p>There are 2 D tubes and only one M1 accessory.</p> 	6
<b>P</b>		4

## BOX 3 SKU: A001G054-3

Item no.	Reference Image	Qty.
<b>C</b>		2
<b>C1</b>		2

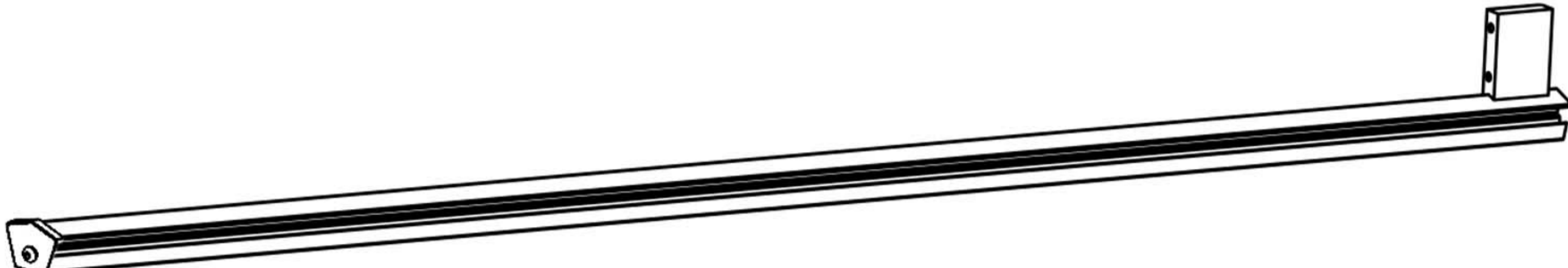
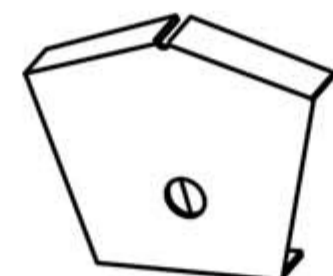


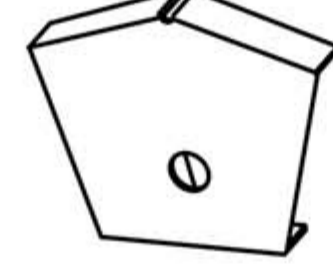

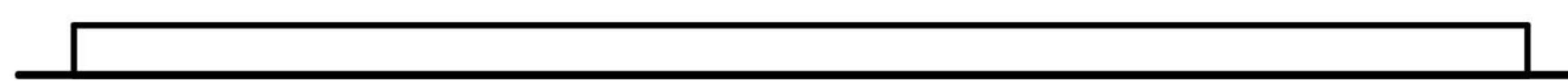
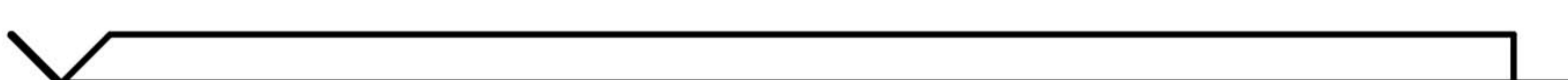
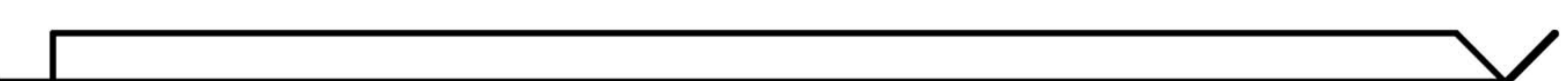
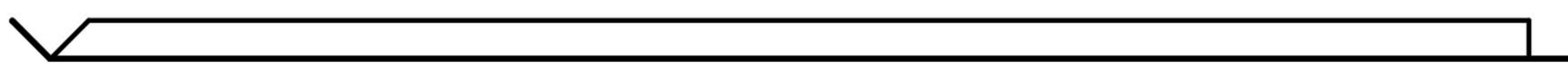
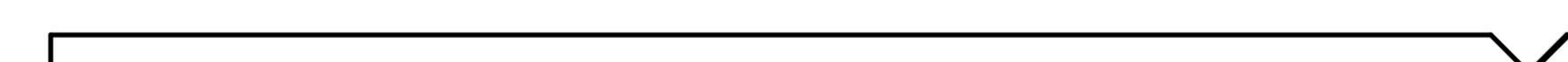
Item no.	Reference Image	Qty.	Item no.	Reference Image	Qty.
<b>Z</b>		1	<b>K</b>		1
<b>Z1</b>		1	<b>K1</b>		1
<b>Z2</b>		1			

Please take care of the screws and contact the after-sales service if there is any problem with the installation or parts.

➔ ✉ E-mail: [cs.helper01@gmail.com](mailto:cs.helper01@gmail.com)

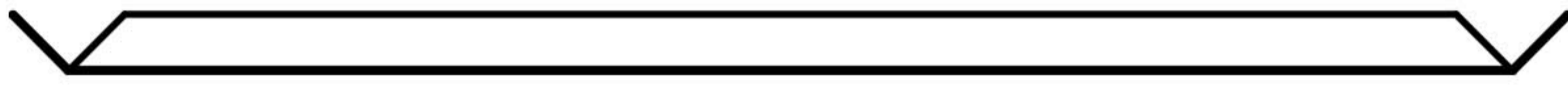


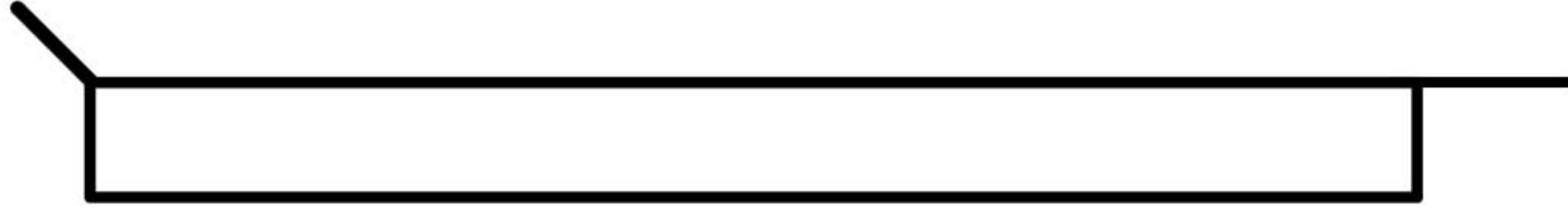
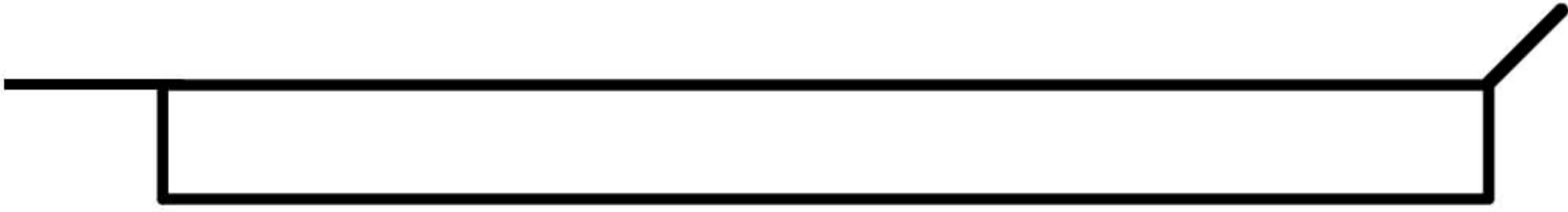
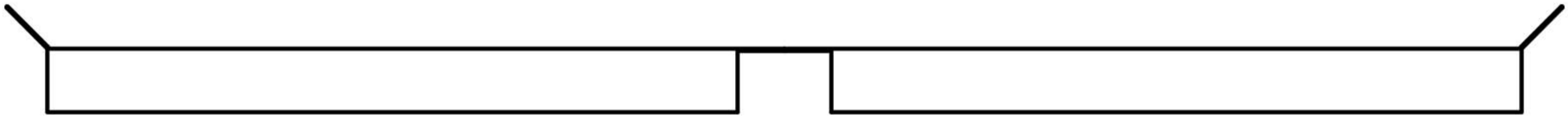
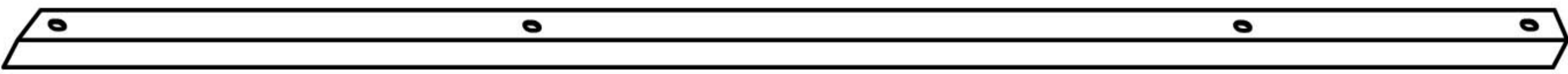

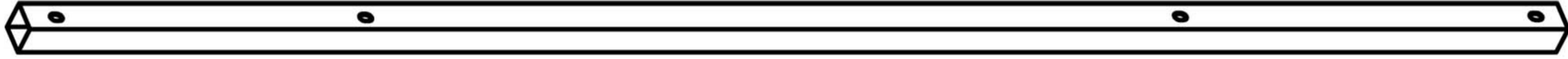
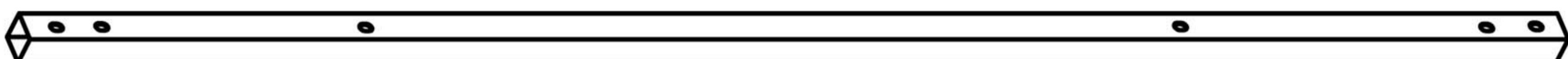
# ACCESSORY CATALOGUE

## BOX 4 SKU: A001G054-4

Item no.	Reference Image	Qty.
<b>E</b>	  <b>M2 X4</b>  <b>X2 X4</b> M6X15mm	4
<b>E1</b>	  <b>M2 X4</b>  <b>X2 X4</b> M6X15mm	4
<b>G</b>		4
<b>G1</b>		2
<b>G2</b>		2
<b>G3</b>		2
<b>G4</b>		2

Please take care of the screws and contact the after-sales service if there is any problem with the installation or parts.

# ACCESSORY CATALOGUE

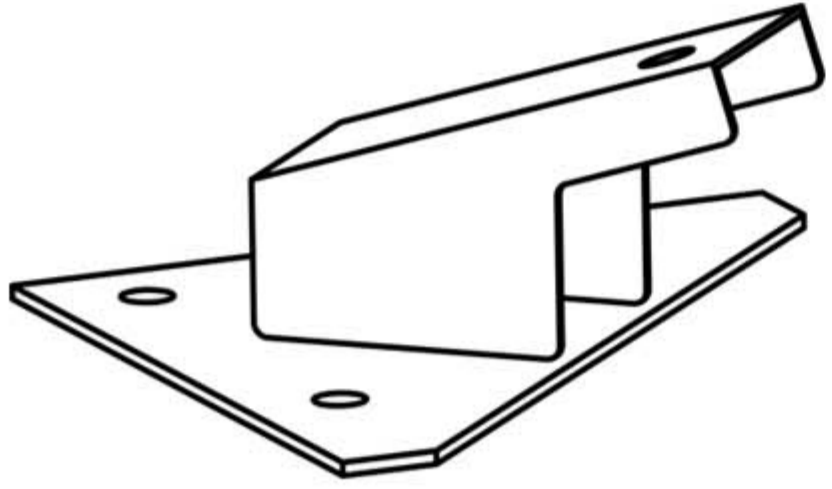
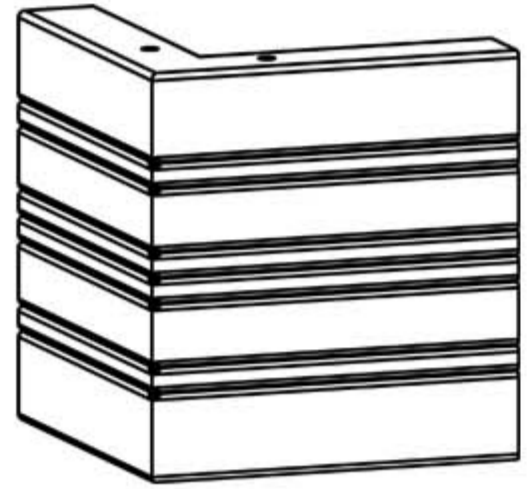
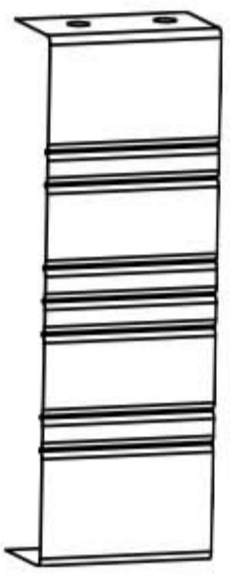
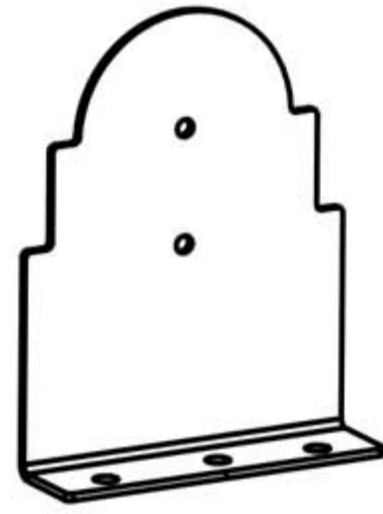
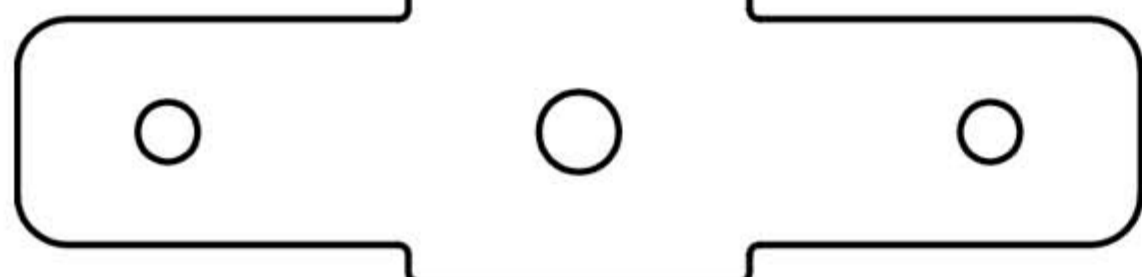
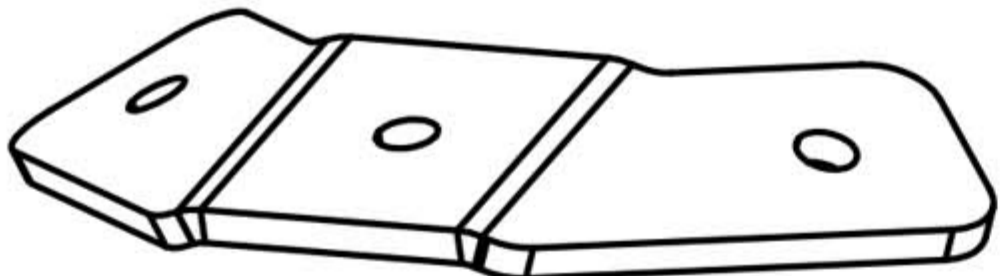
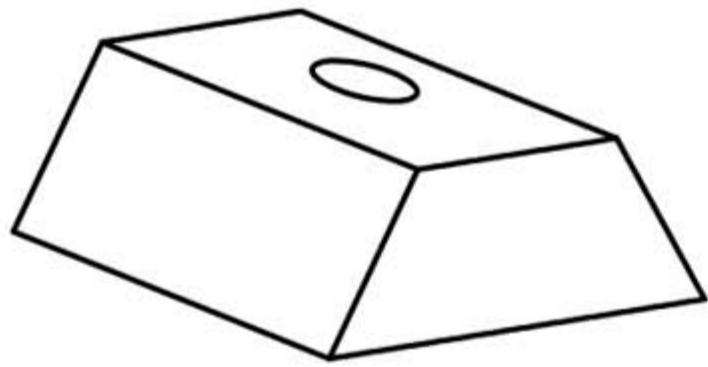
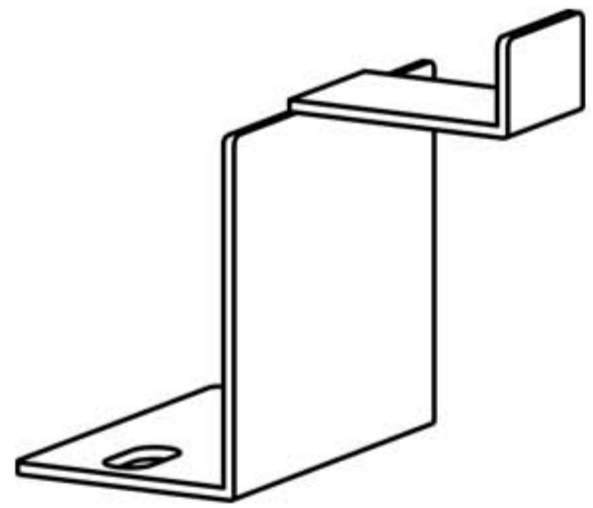
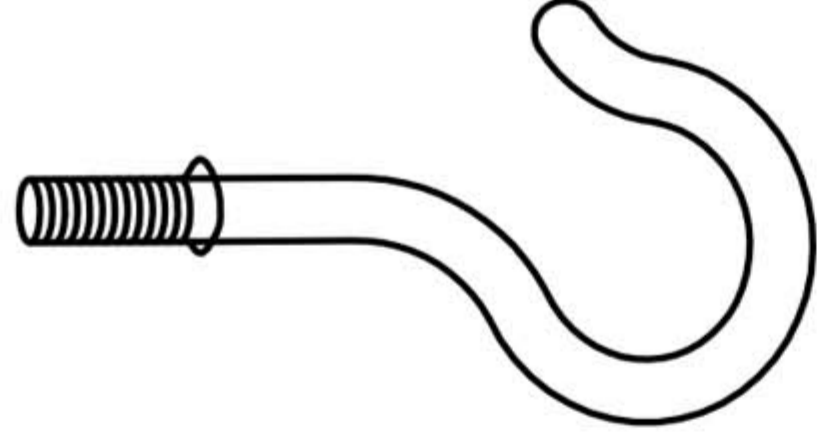

Item no.	Reference Image	Qty.
<b>G5</b>		2
<b>G6</b>		2
<b>G7</b>		2
<b>G8</b>		2
<b>G9</b>		2
<b>G10</b>		2
<b>H</b>		4
<b>H1</b>		4
<b>H2</b>		2
<b>H3</b>		2

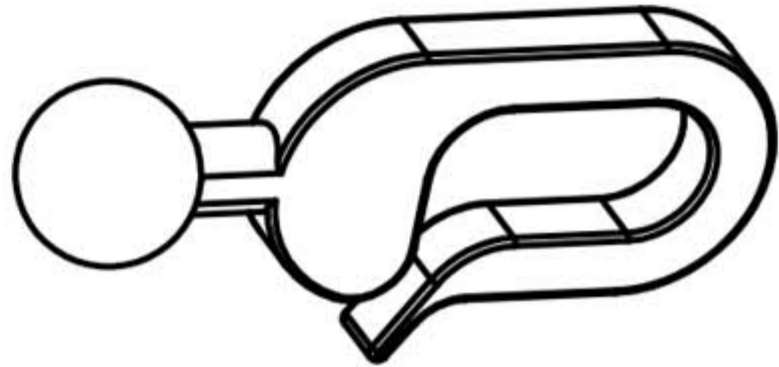
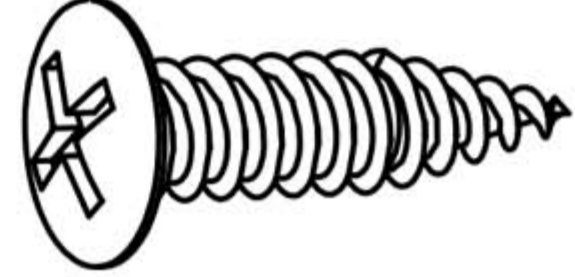
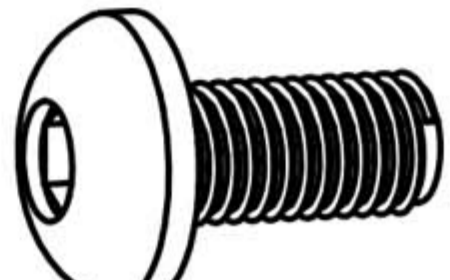
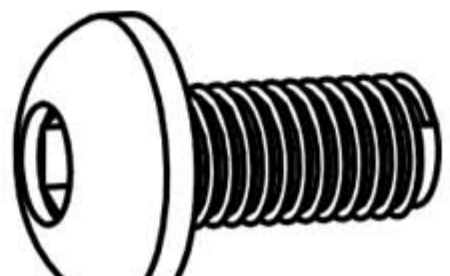
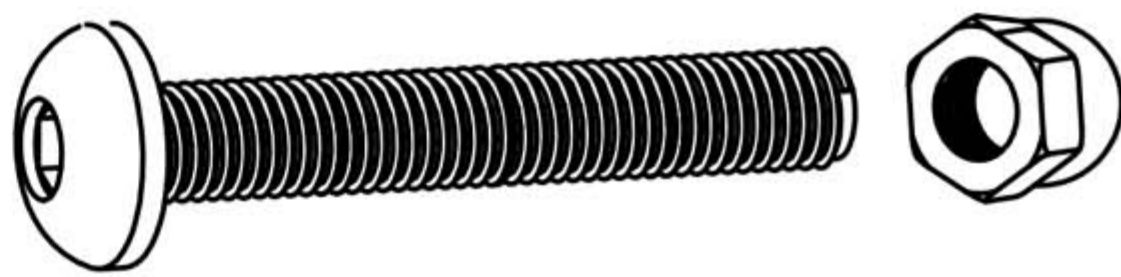
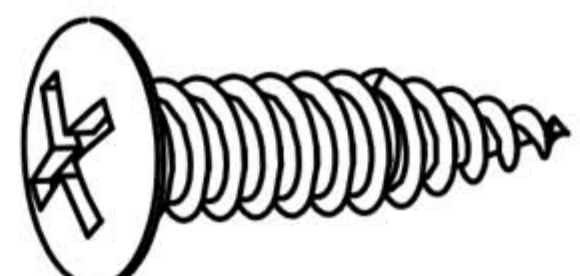
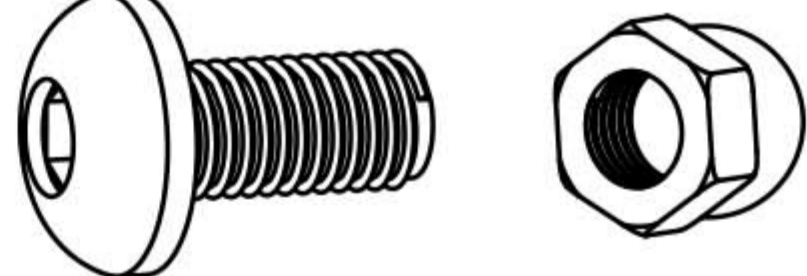
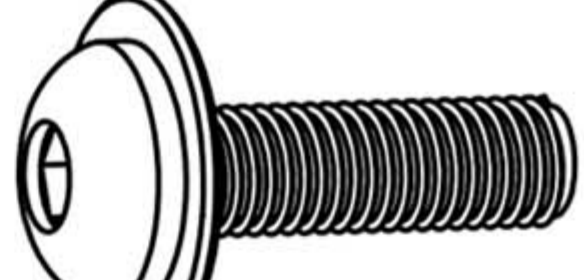


Please take care of the screws and contact the after-sales service if there is any problem with the installation or parts.



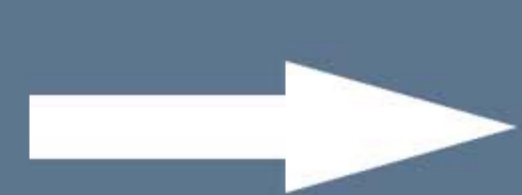
E-mail: [cs.helper01@gmail.com](mailto:cs.helper01@gmail.com)

# ACCESSORY CATALOGUE

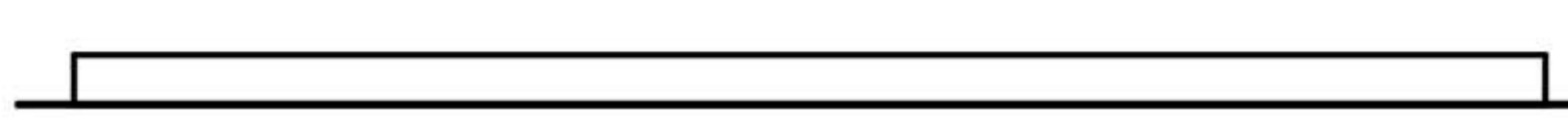
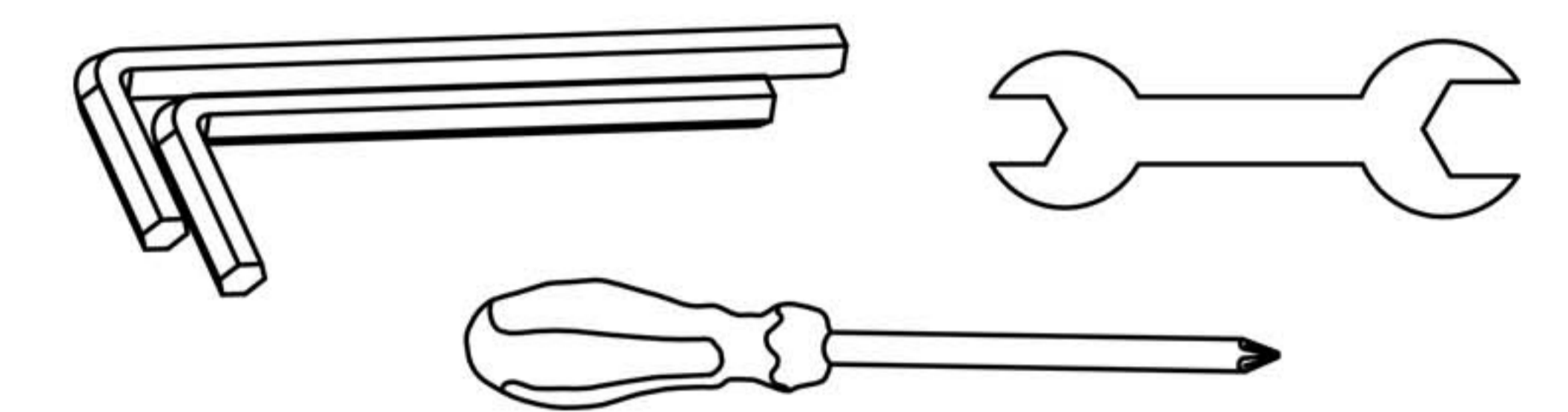
Item no.	Reference Image	Qty.
<b>I</b>		4
<b>J1</b>		4
<b>J2</b>		4
<b>L</b>		12
<b>M3</b>		6
<b>M4</b>		4
<b>M5</b>		54
<b>M6</b>		4
<b>M7</b>		2
<b>M8</b>		4


Item no.	Reference Image	Qty.
<b>Q</b>		96
<b>X1</b>	 M5X15mm	28
<b>X2</b>	 M6X15mm	141
<b>X3</b>	 M6X30mm	16
<b>X4</b>	 M6X42mm	26
<b>X5</b>	 M4X25mm	24
<b>X6</b>	 M6X20mm	28
<b>X7</b>	 M6X30mm	4
<b>X8</b>	 M6X10mm	32
<b>X10</b>		16

Please take care of the screws and contact the after-sales service if there is any problem with the installation or parts.

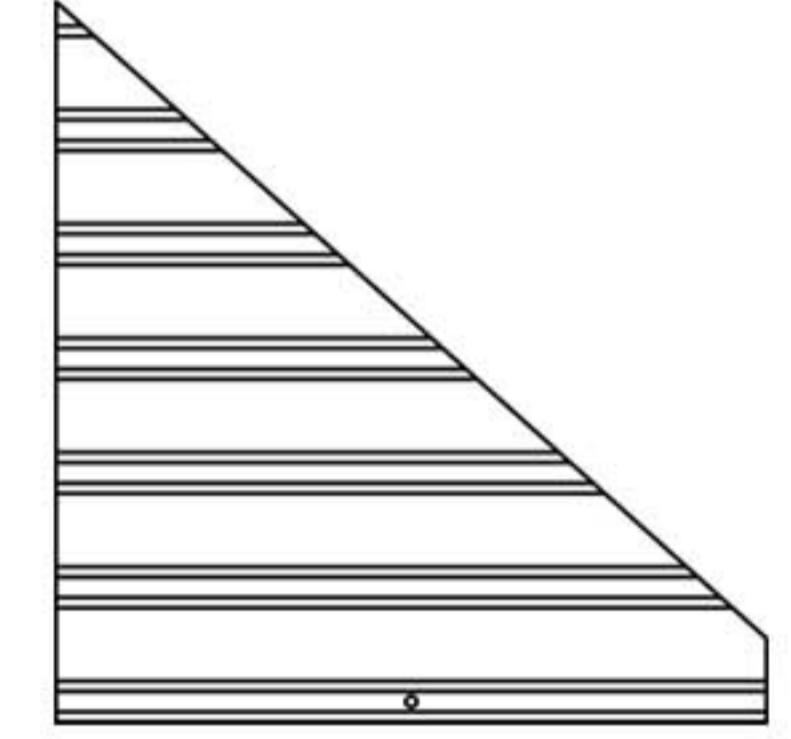
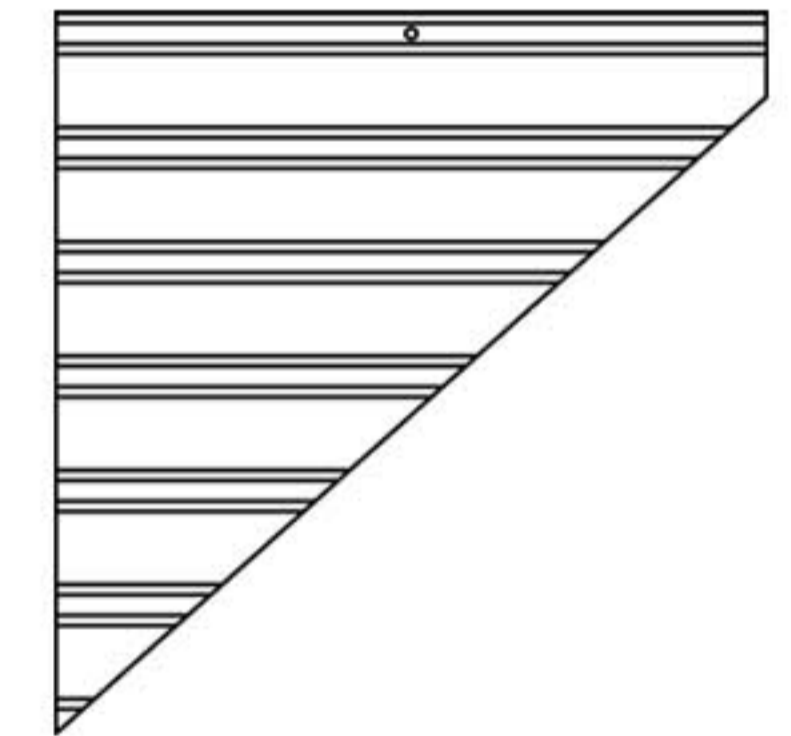
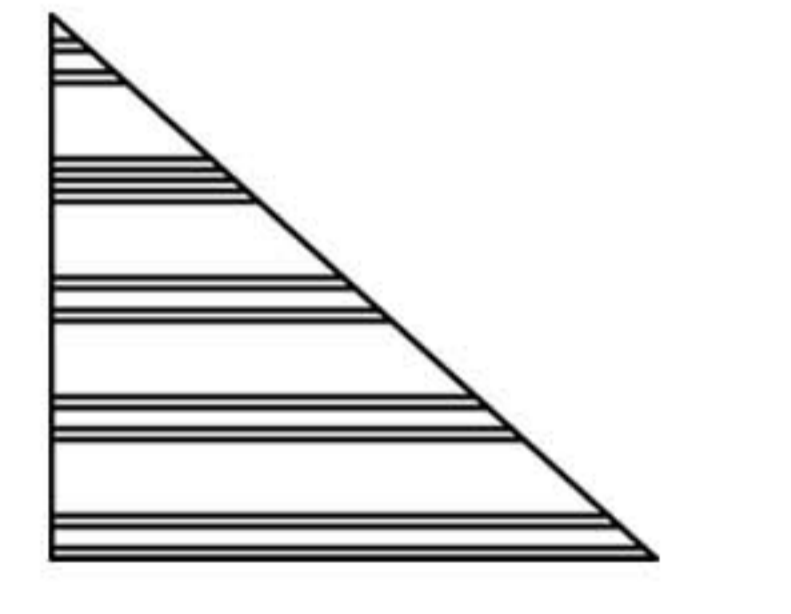
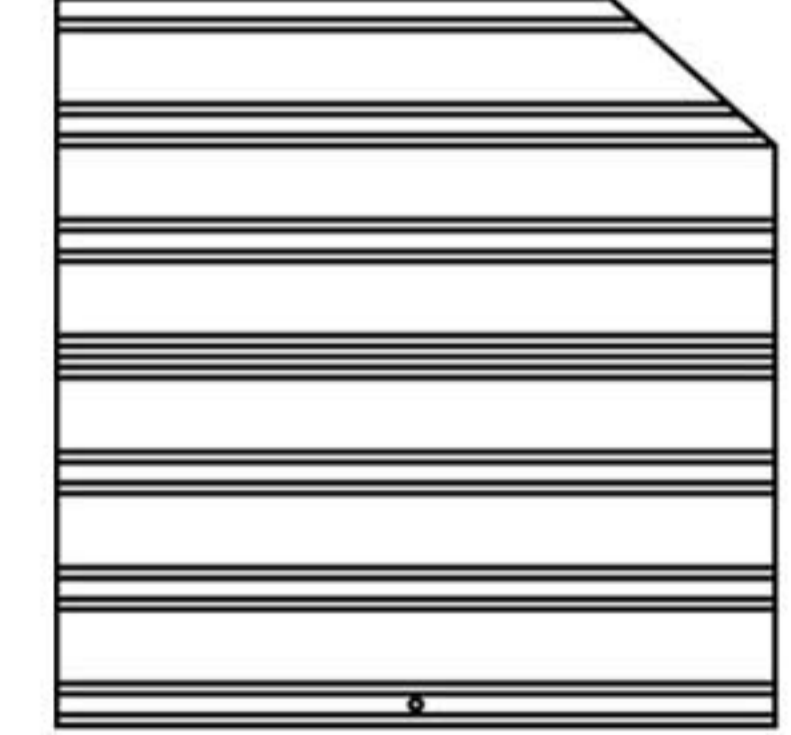


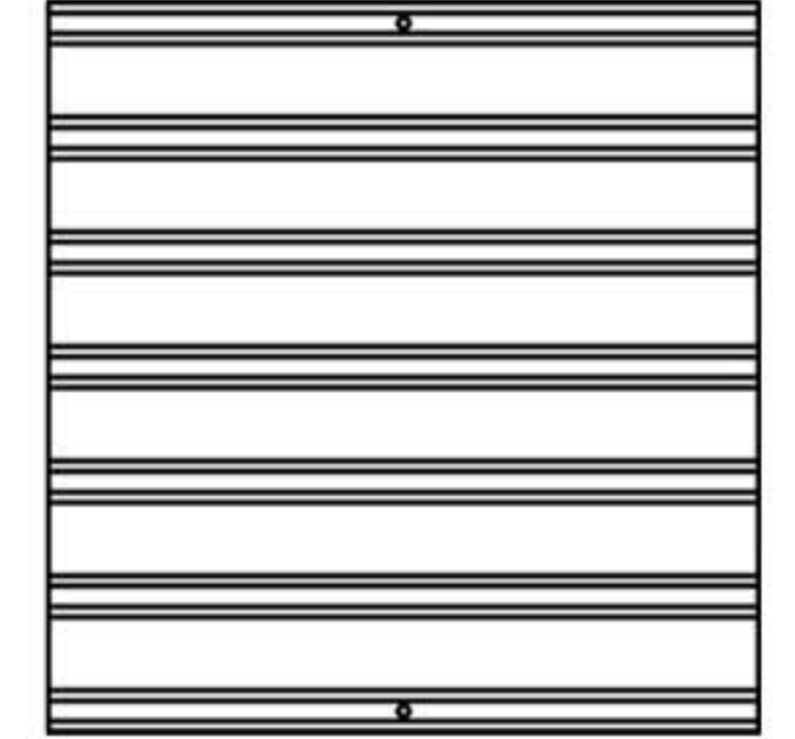
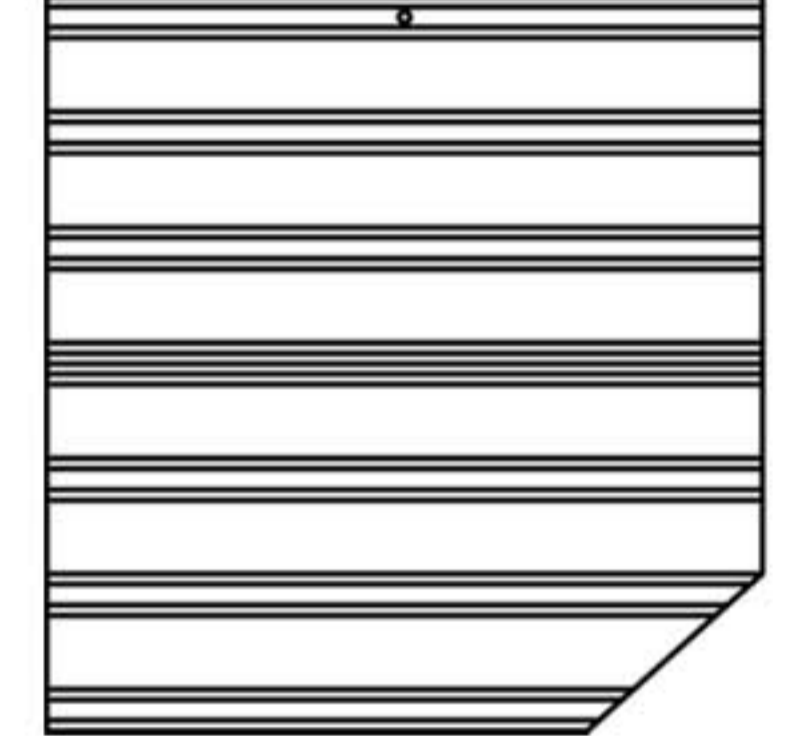
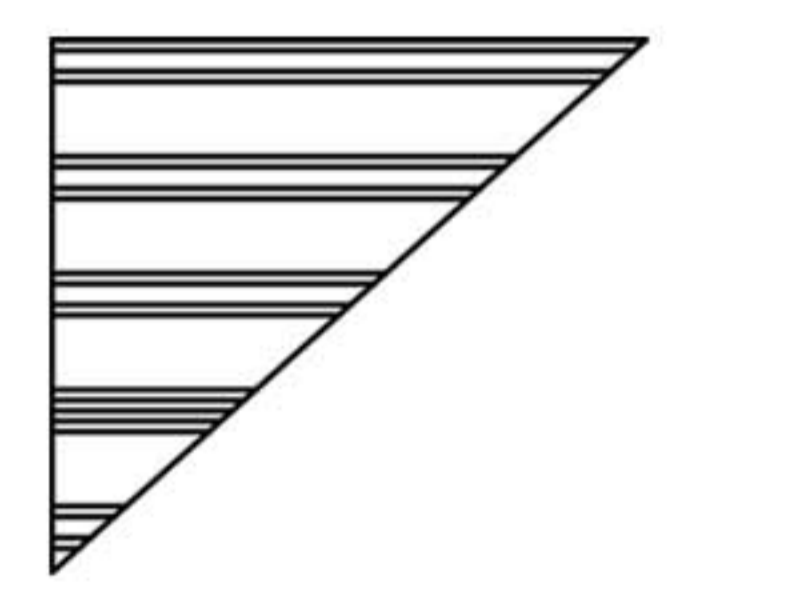
# ACCESSORY CATALOGUE

Item no.	Reference Image	Qty.
<b>G11</b>		<b>2</b>
<b>3</b>		<b>1</b>

Item no.	Reference Image	Qty.
<b>2</b>		<b>8</b>

## BOX 5 SKU: A001G054-5

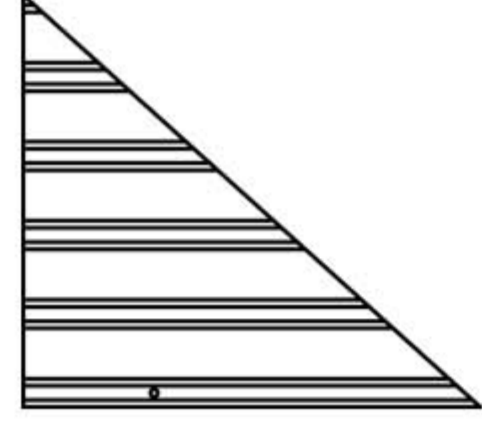
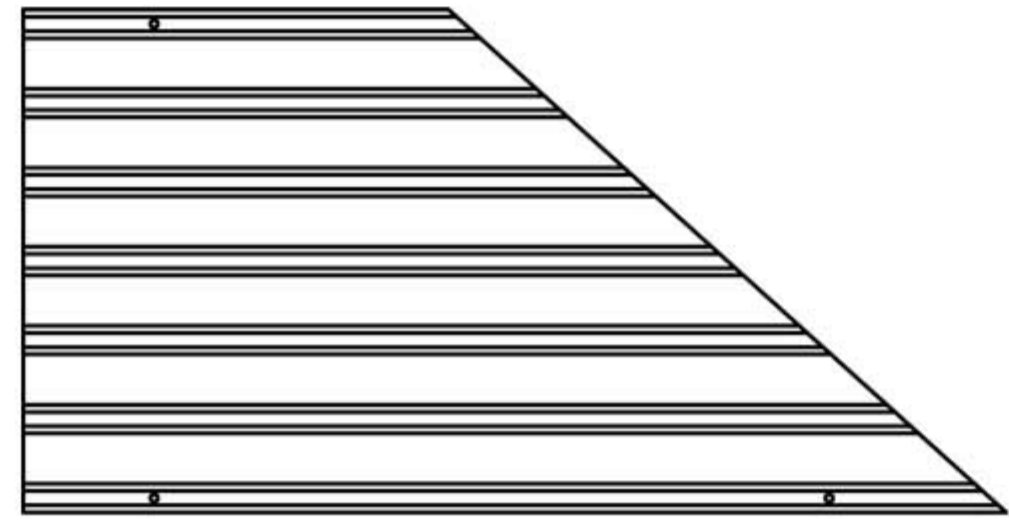
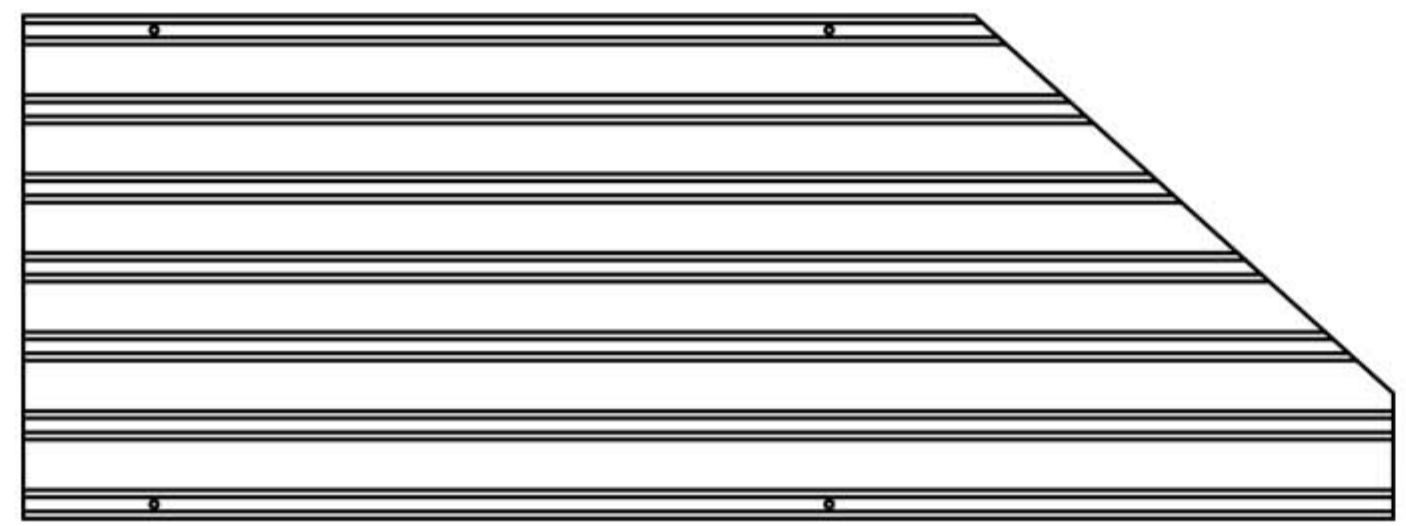


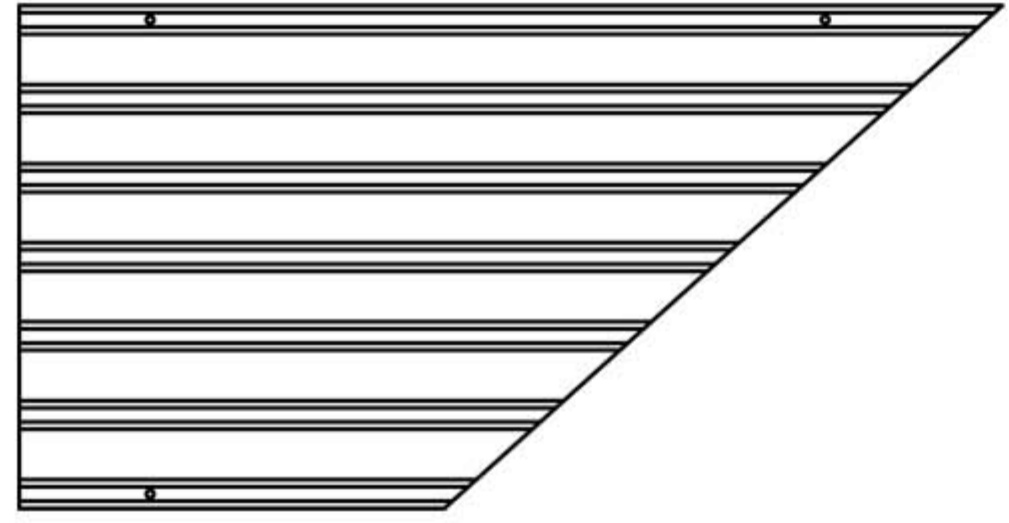
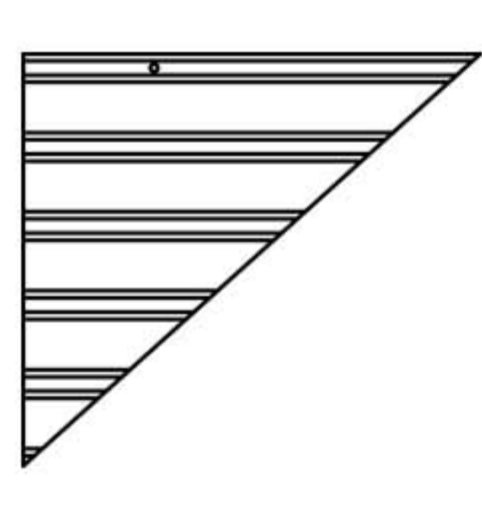
Item no.	Reference Image	Qty.
<b>O4</b>		<b>2</b>
<b>V4</b>		<b>2</b>
<b>N5</b>		<b>2</b>
<b>N6</b>		<b>2</b>

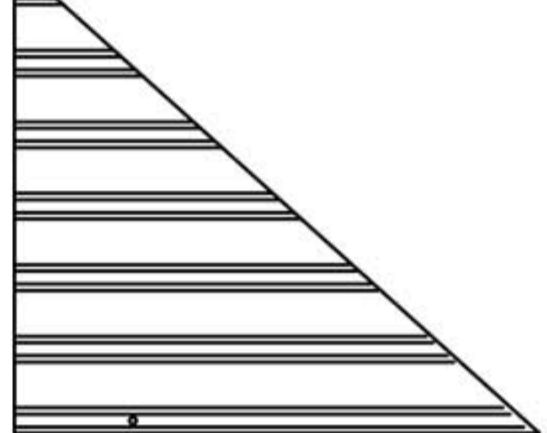
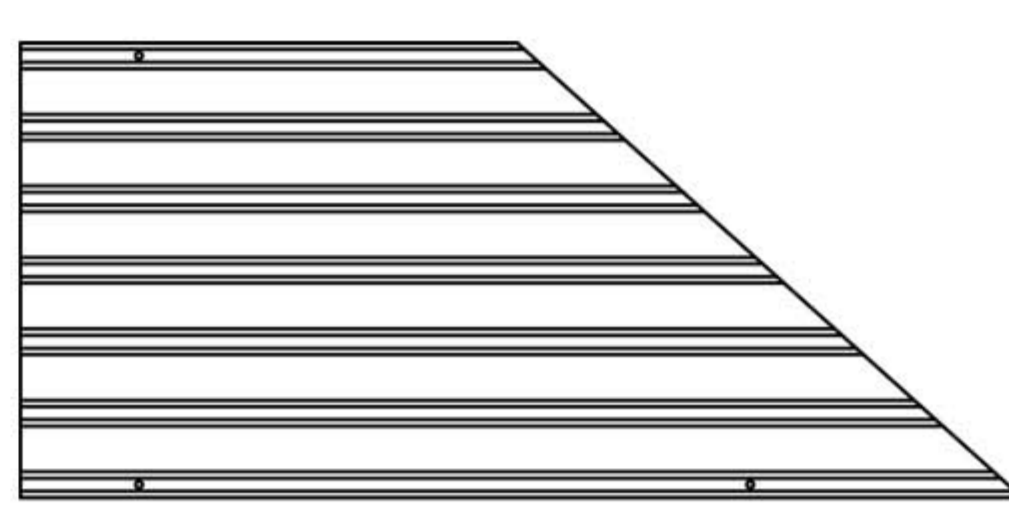
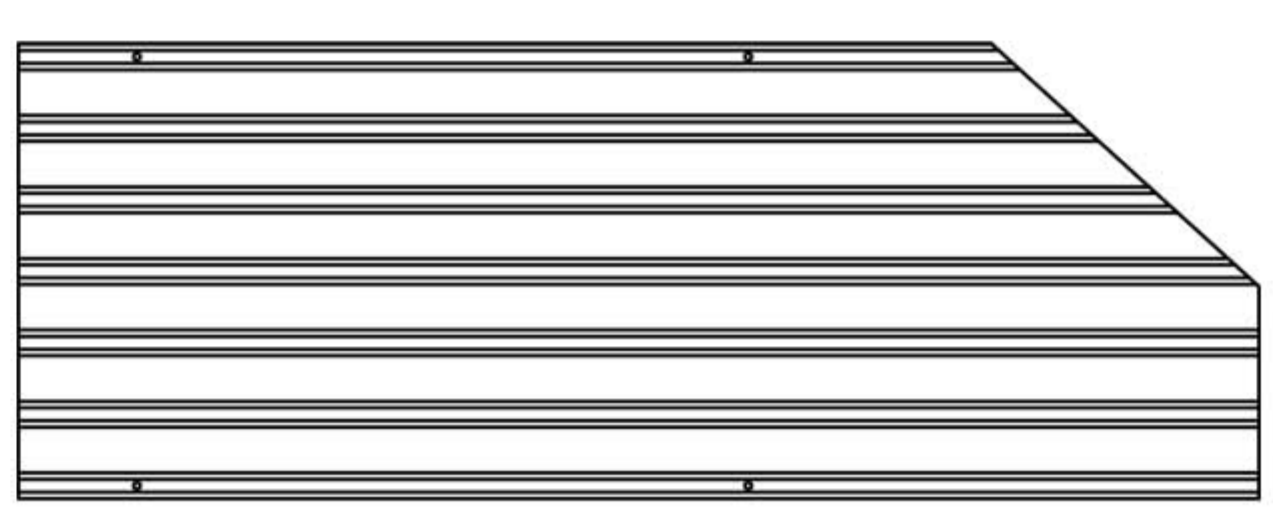
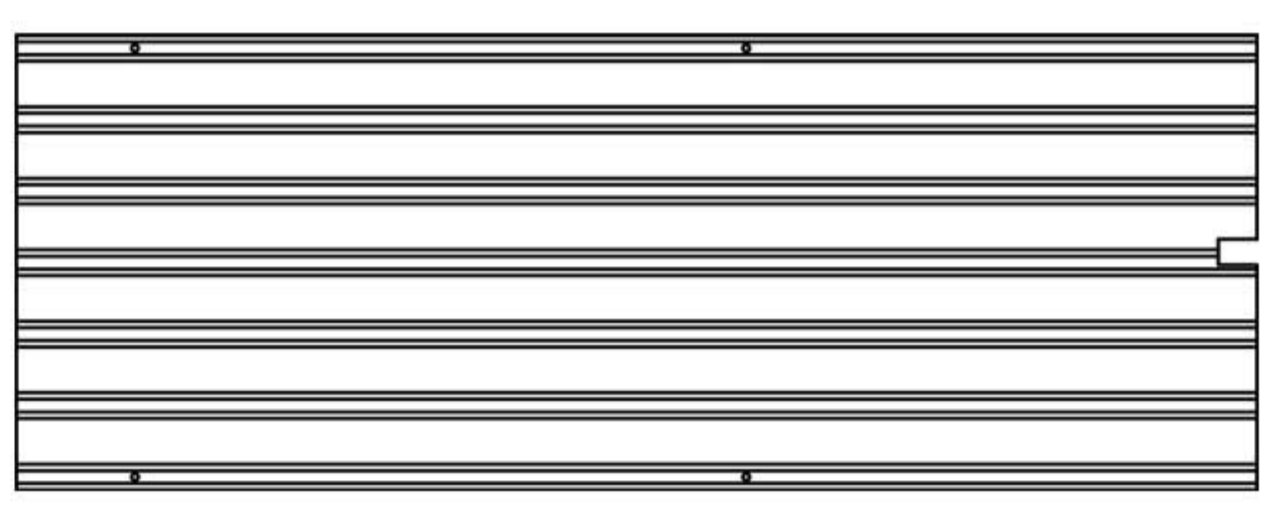
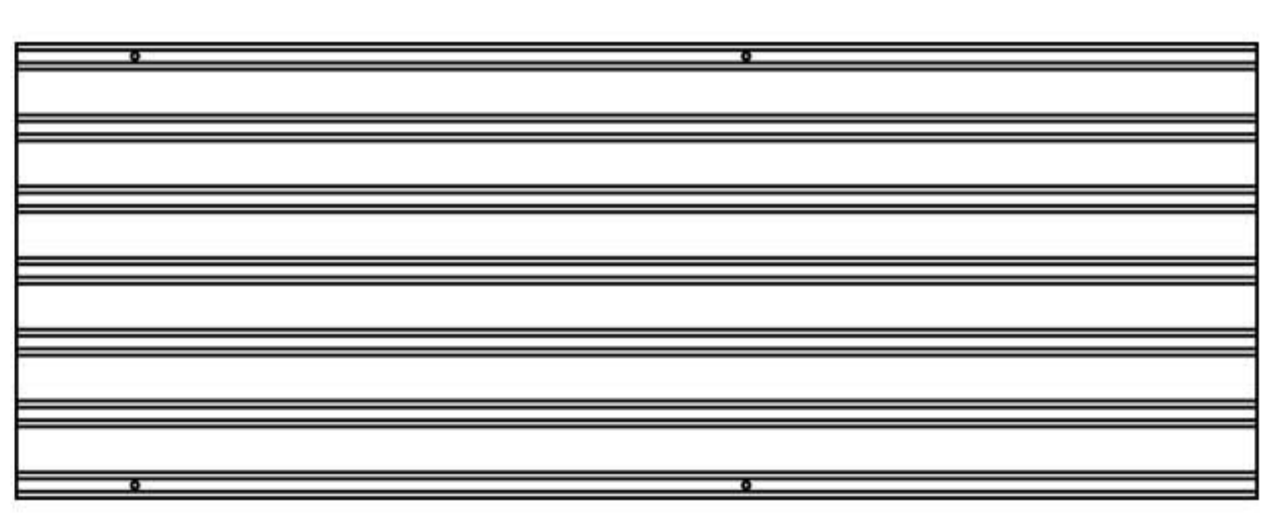


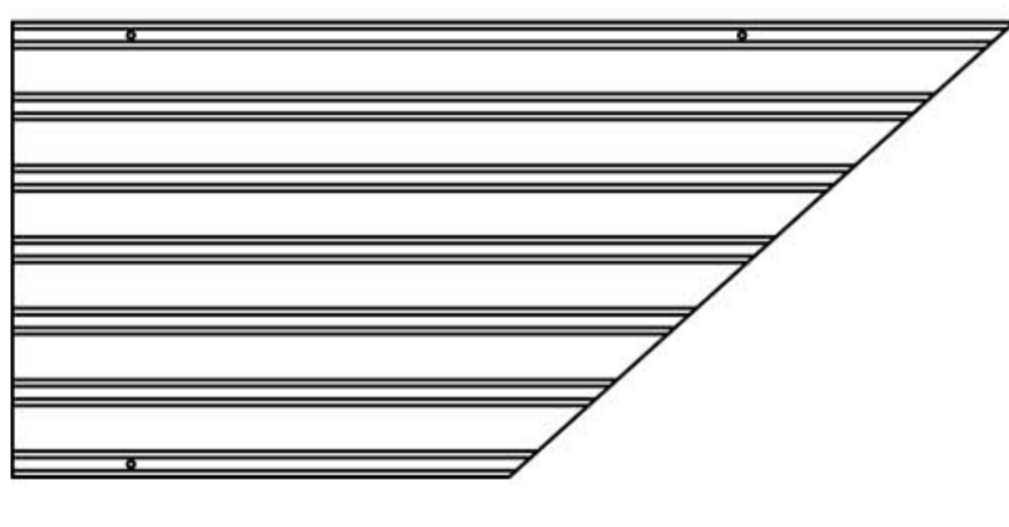
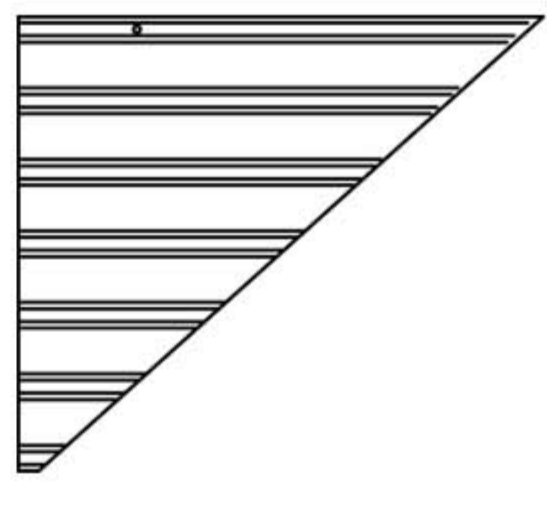
Item no.	Reference Image	Qty.
<b>Y</b>		<b>2</b>
<b>Y6</b>		<b>2</b>
<b>Y5</b>		<b>2</b>

Please take care of the screws and contact the after-sales service if there is any problem with the installation or parts.

➔ ✉ E-mail: [cs.helper01@gmail.com](mailto:cs.helper01@gmail.com)

# ACCESSORY CATALOGUE

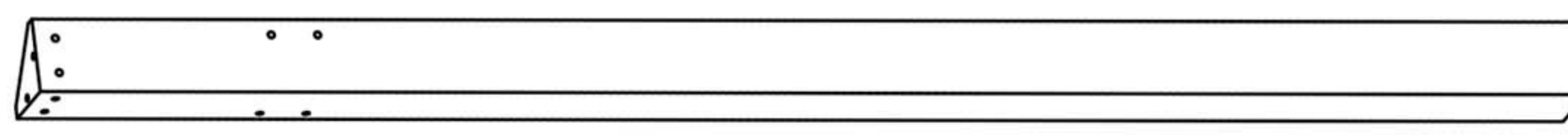
Item no.	Reference Image	Qty.
<b>O1</b>		<b>2</b>
<b>O2</b>		<b>2</b>
<b>O3</b>		<b>2</b>
<b>O</b>		<b>2</b>
<b>V3</b>		<b>2</b>
<b>V2</b>		<b>2</b>
<b>V1</b>		<b>2</b>

Item no.	Reference Image	Qty.
<b>N1</b>		<b>2</b>
<b>N2</b>		<b>2</b>
<b>N3</b>		<b>2</b>
<b>N4</b>		<b>2</b>
<b>N</b>		<b>2</b>
<b>Y4</b>		<b>2</b>
<b>Y3</b>		<b>2</b>
<b>Y2</b>		<b>2</b>
<b>Y1</b>		<b>2</b>

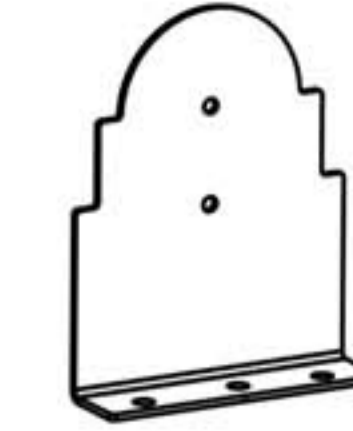
Please take care of the screws and contact the after-sales service if there is any problem with the installation or parts.

# STEP 1

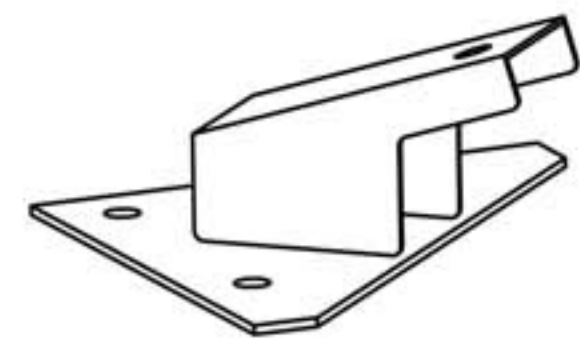
Parts required



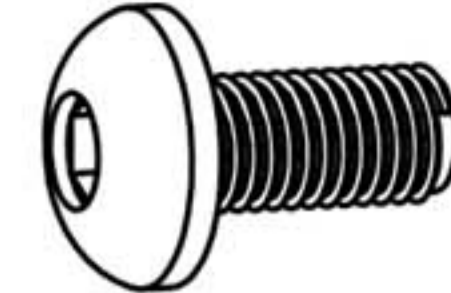
A 4pcs



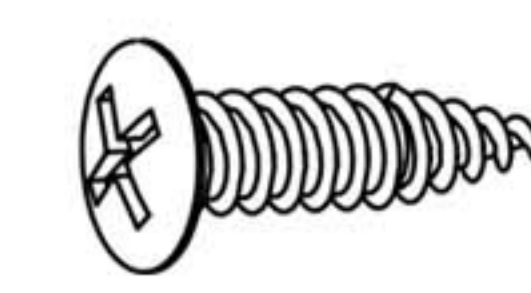
L 12pcs



I 4pcs



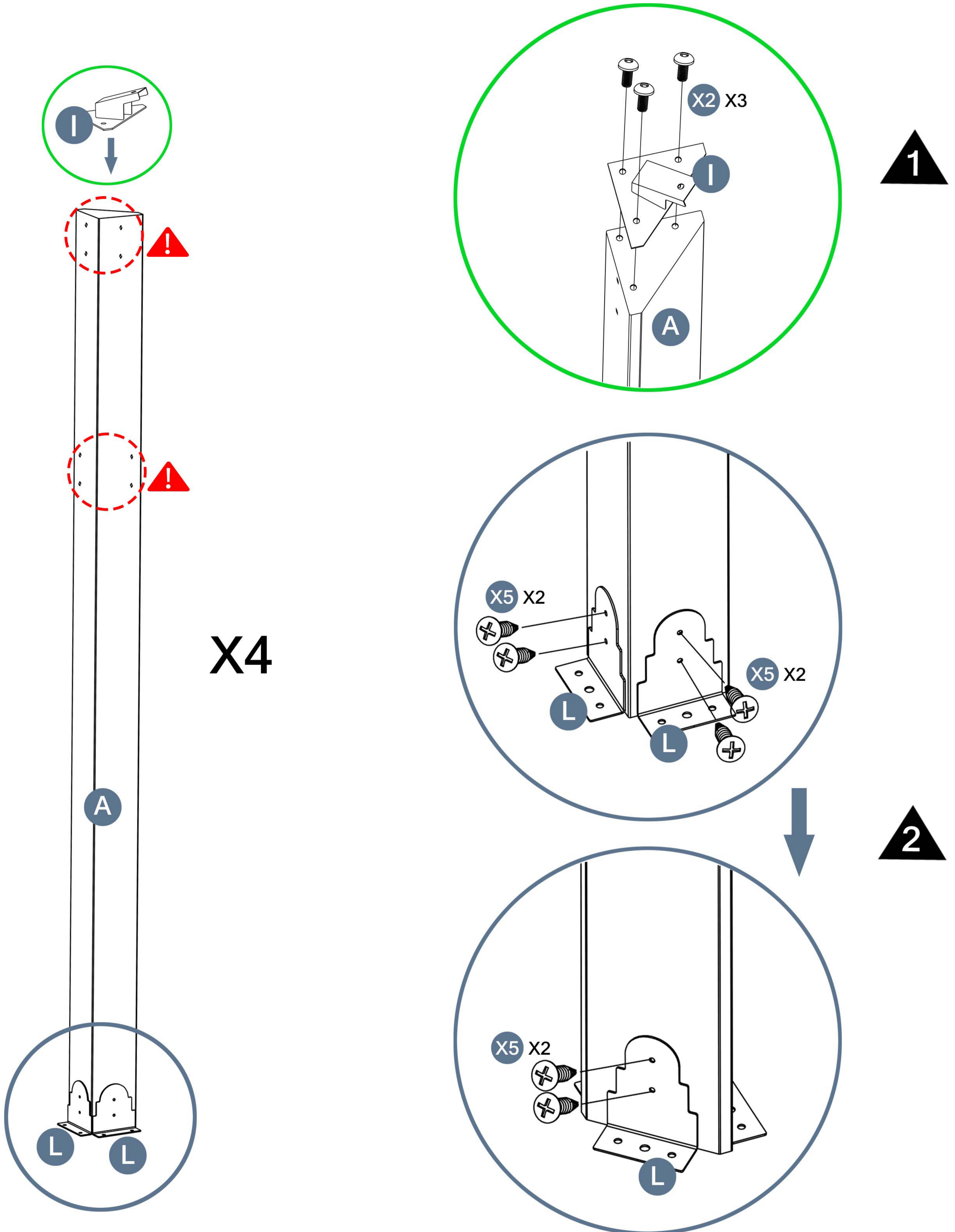
X2 12pcs



X5 24pcs

1 → 2

⚠ Please note the orientation of the hole.

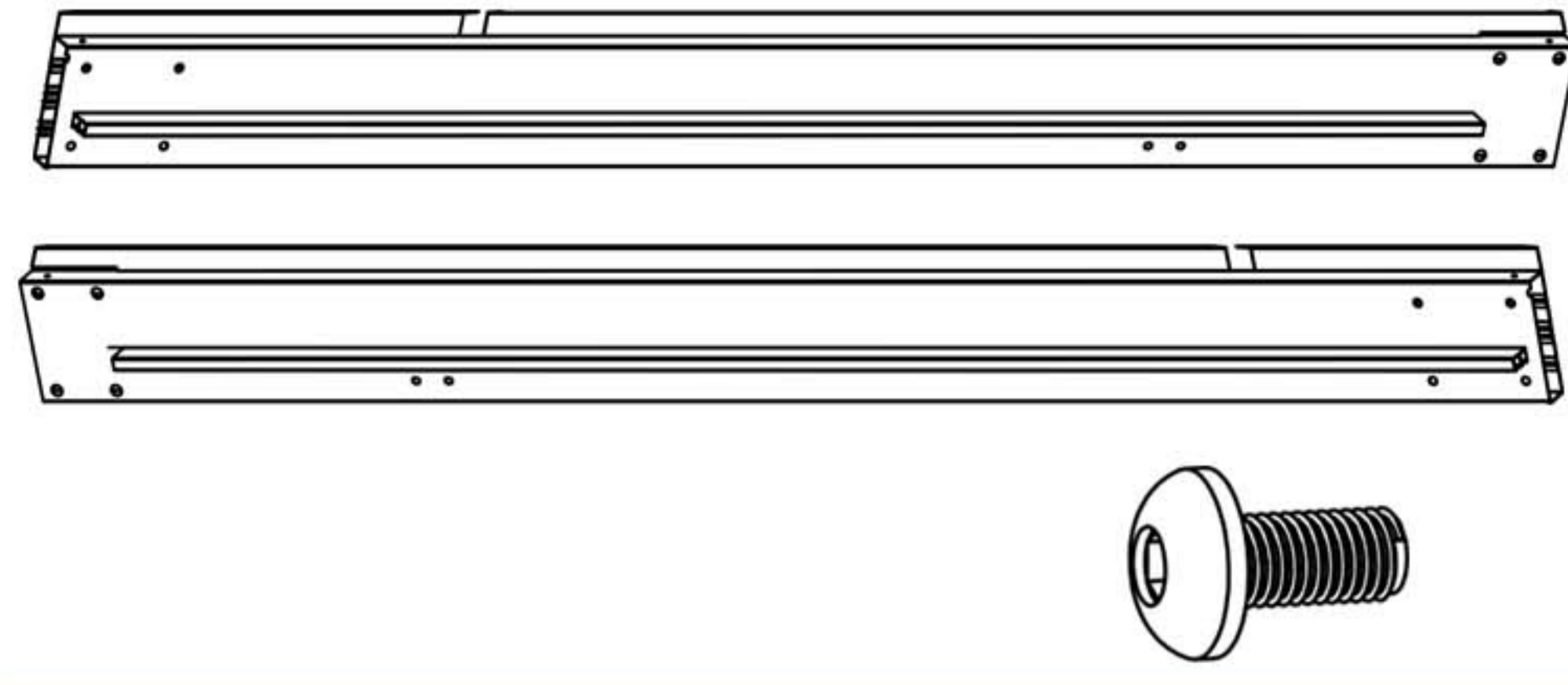


Please take care of the screws and contact the after-sales service if there is any problem with the installation or parts.

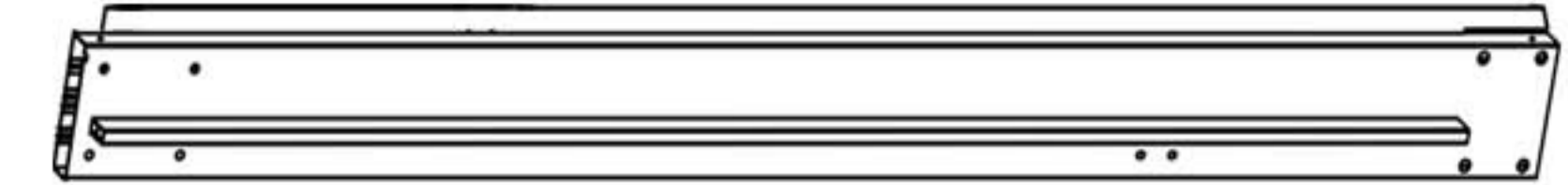
➔ ✉ E-mail: [cs.helper01@gmail.com](mailto:cs.helper01@gmail.com)

# STEP 2

Parts required

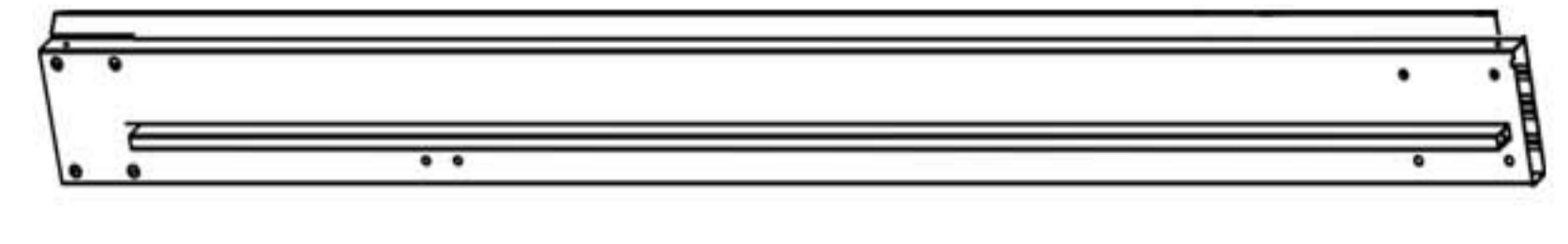


**B** 2pcs



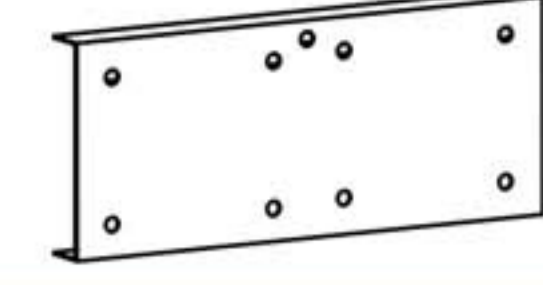
**C** 2pcs

**B1** 2pcs



**C1** 2pcs

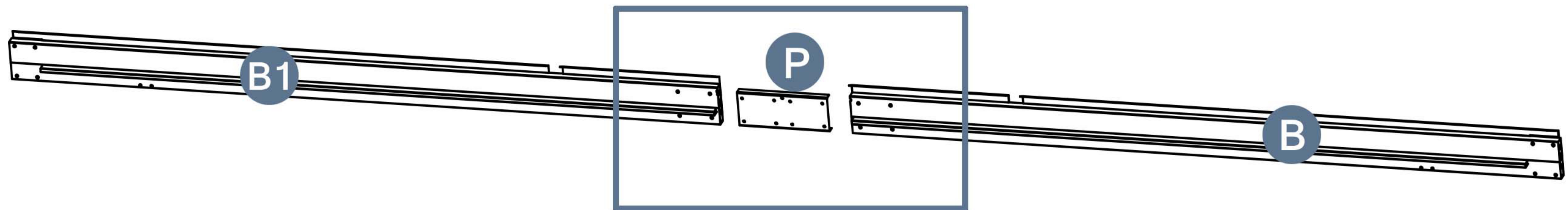
**X2** 32pcs



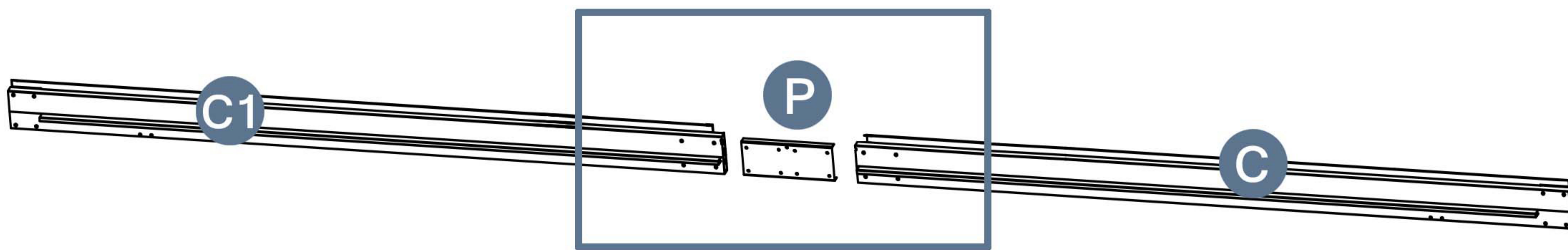
**P** 4pcs

1 → 2

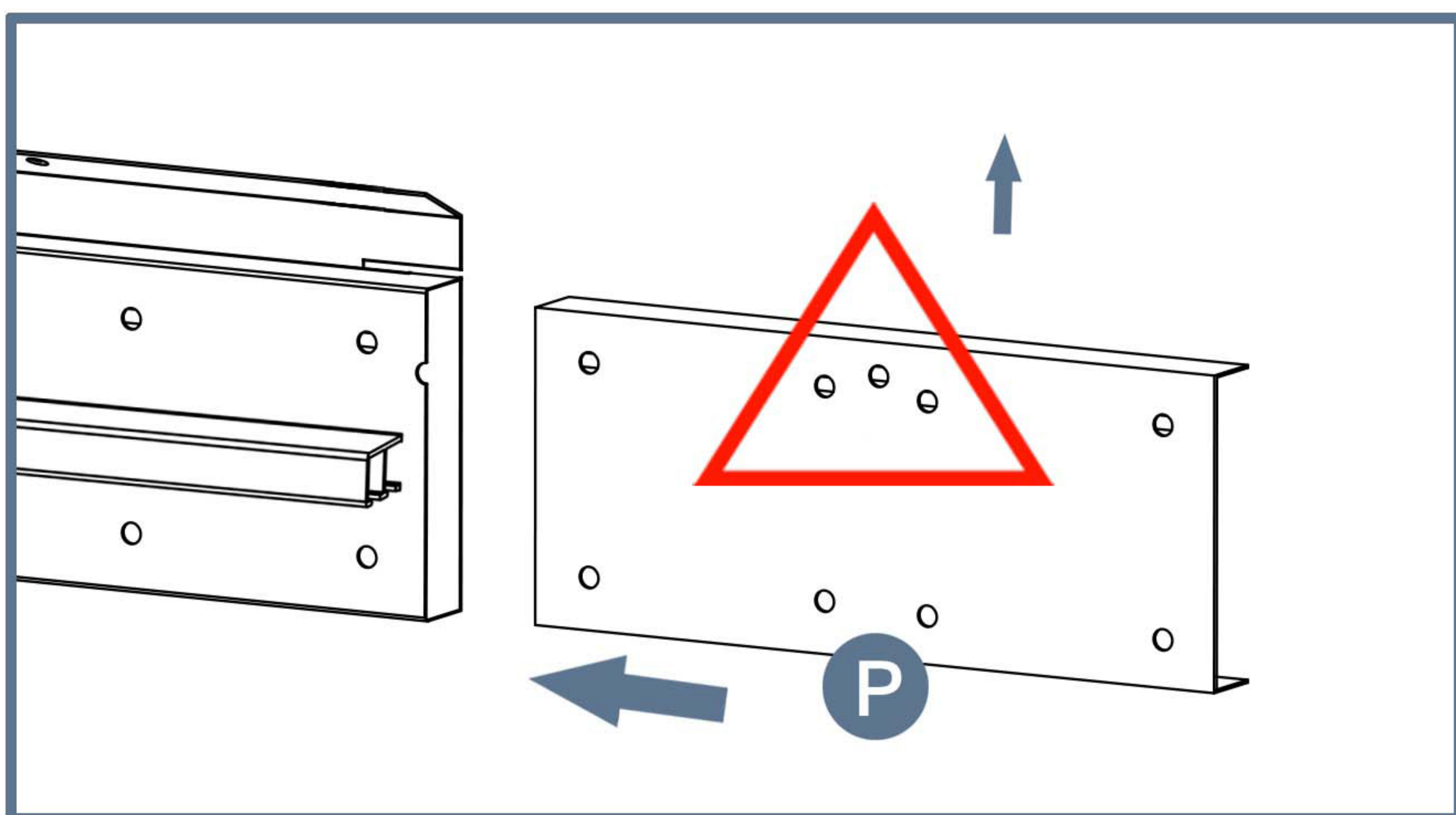
△ When connecting **C** and **C1** via **P**, and connecting **B** and **B1** via **P**, make sure that 3 holes on part **P** (as shown in the picture) should be facing upwards. Do not install it upside down.



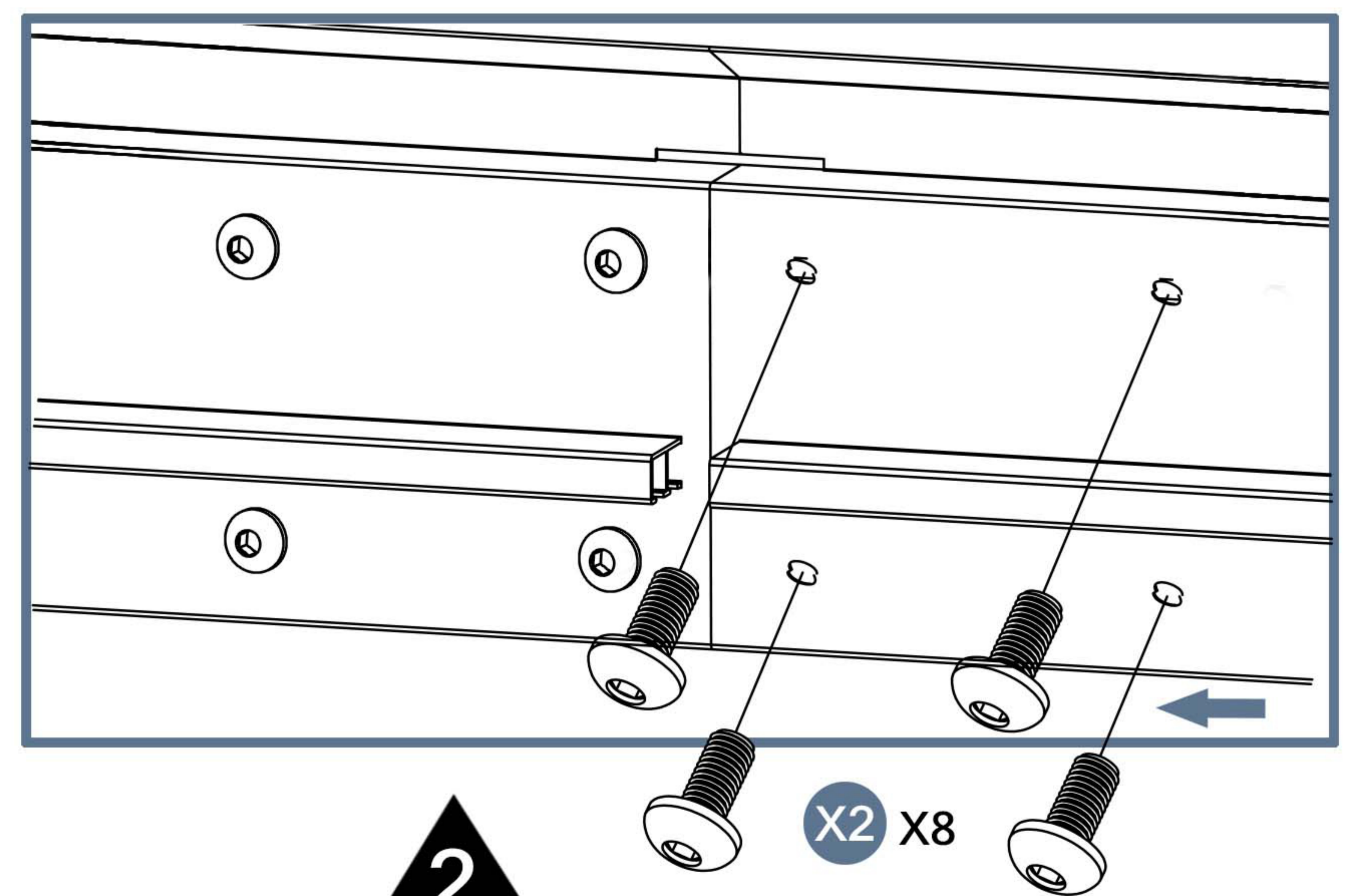
X2



X2



1



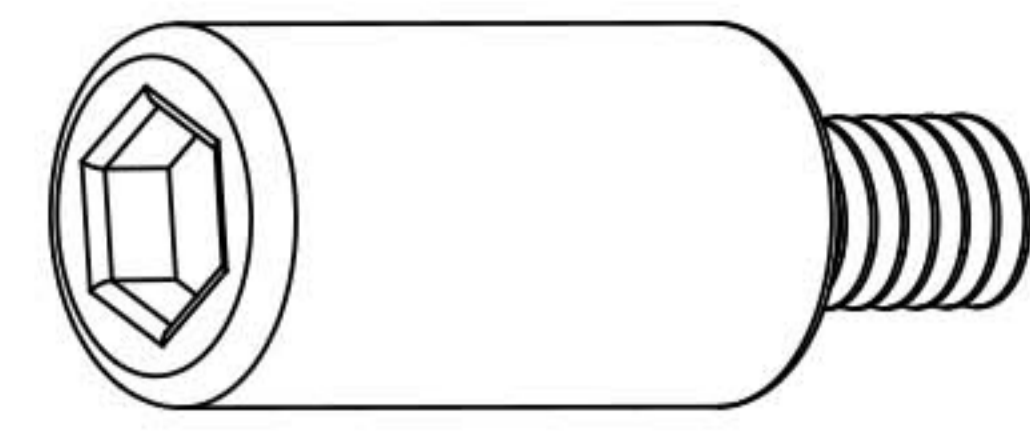
2

X2 X8

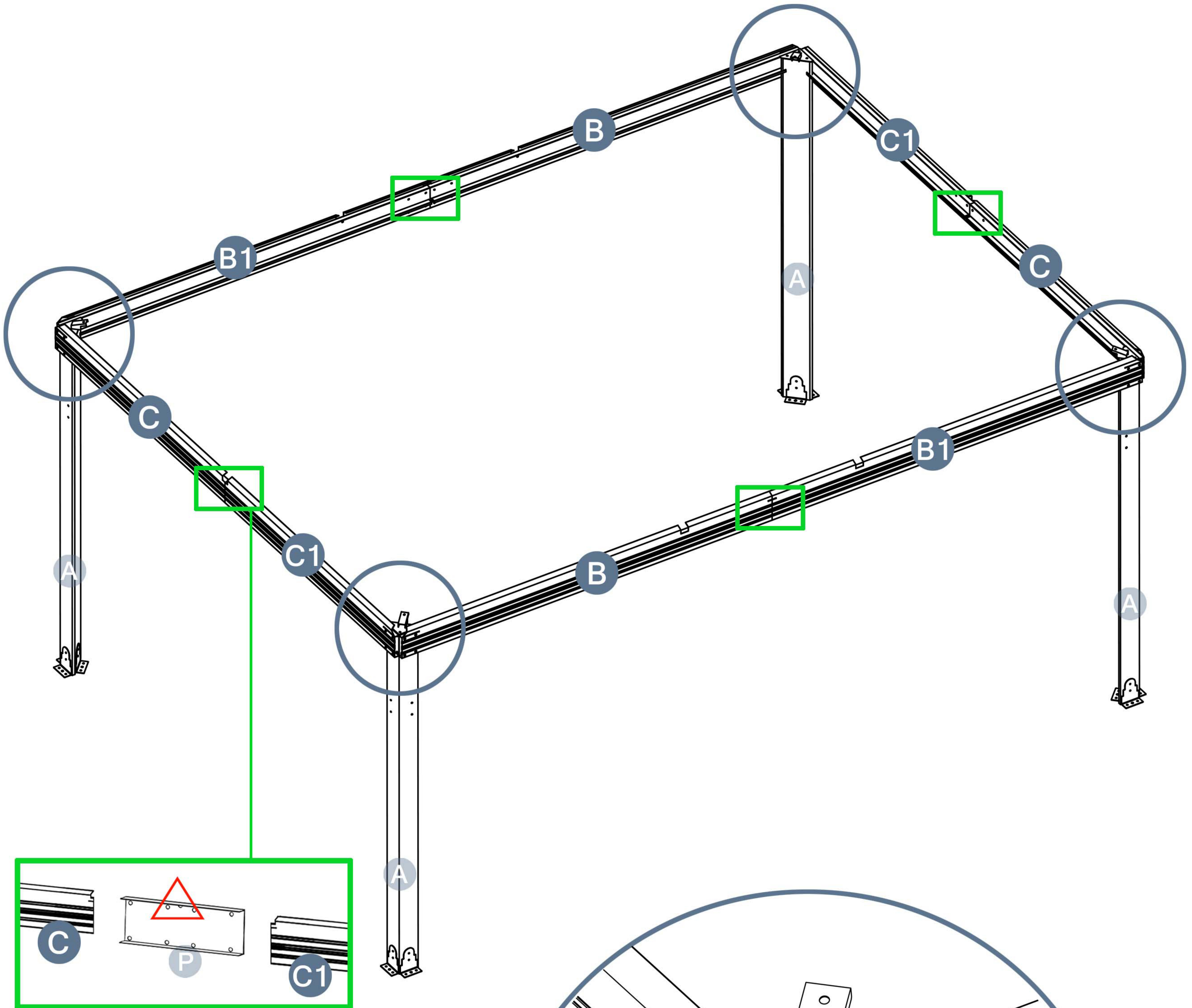
Please take care of the screws and contact the after-sales service if there is any problem with the installation or parts.

# STEP 3

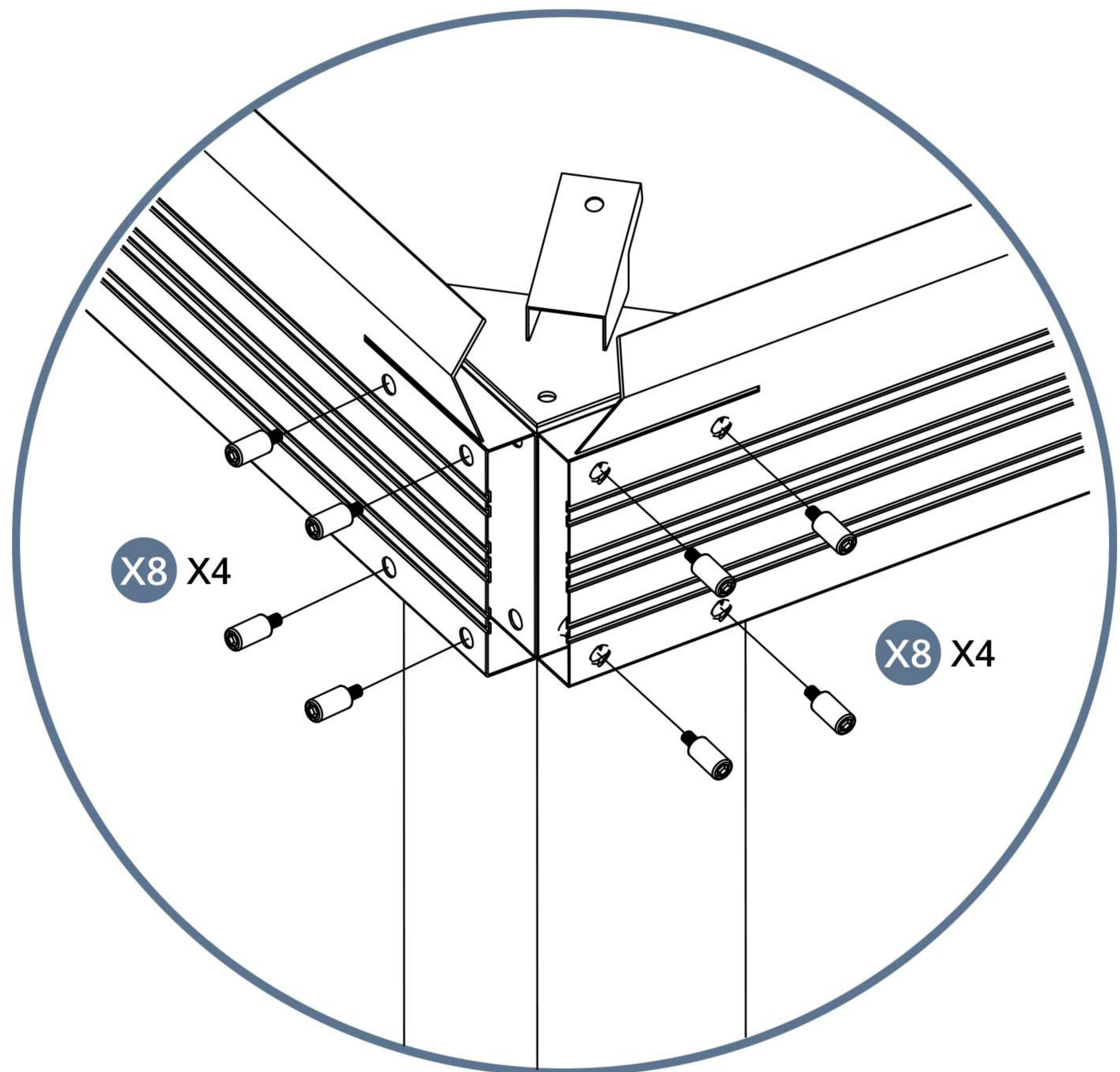
Parts required



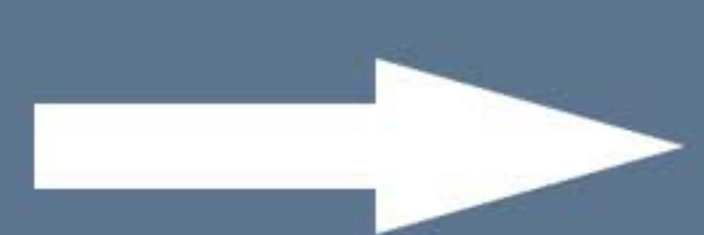
X8 32pcs



!!! Before installing in this step, please make sure that the 3 holes are facing up



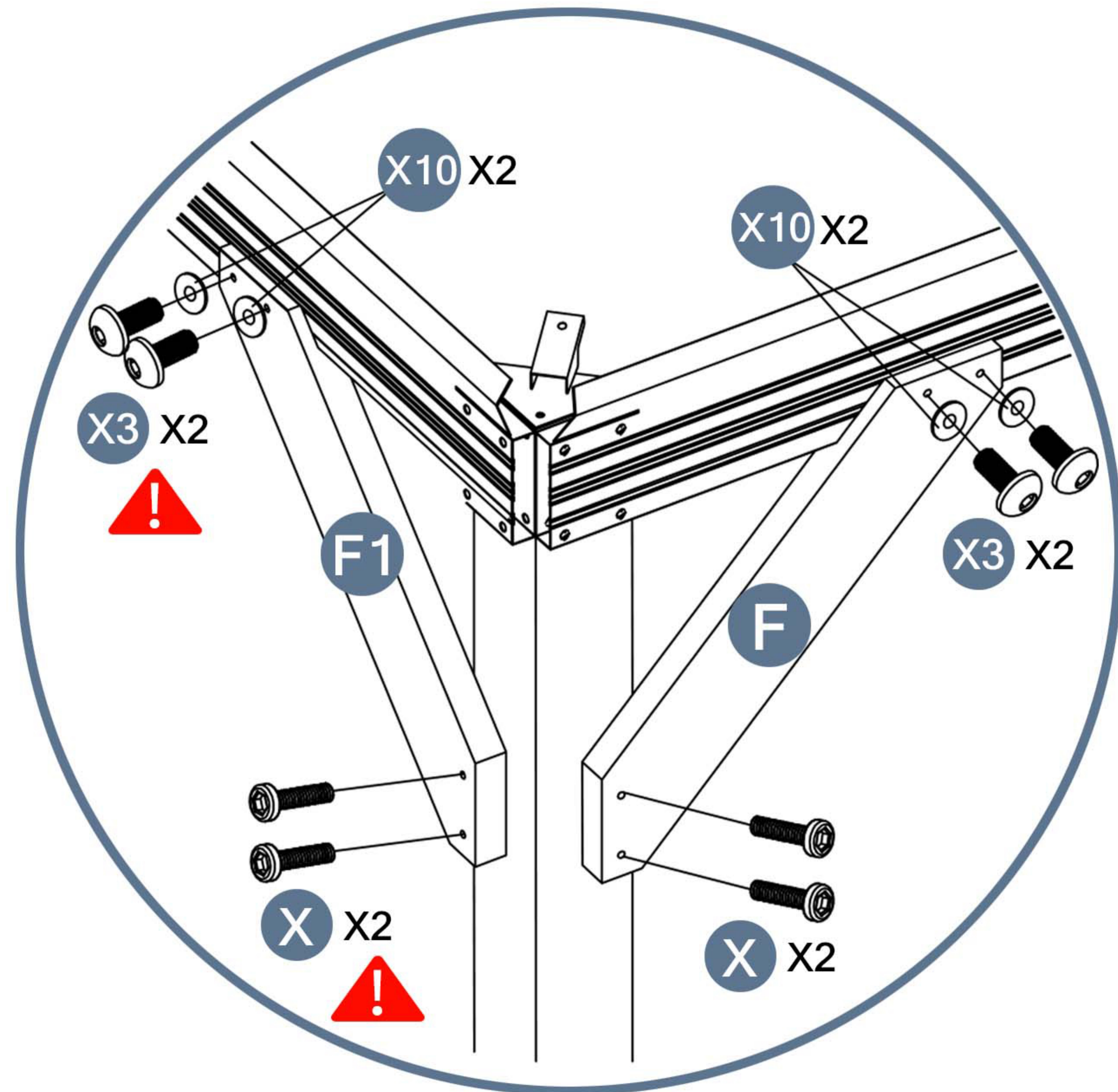
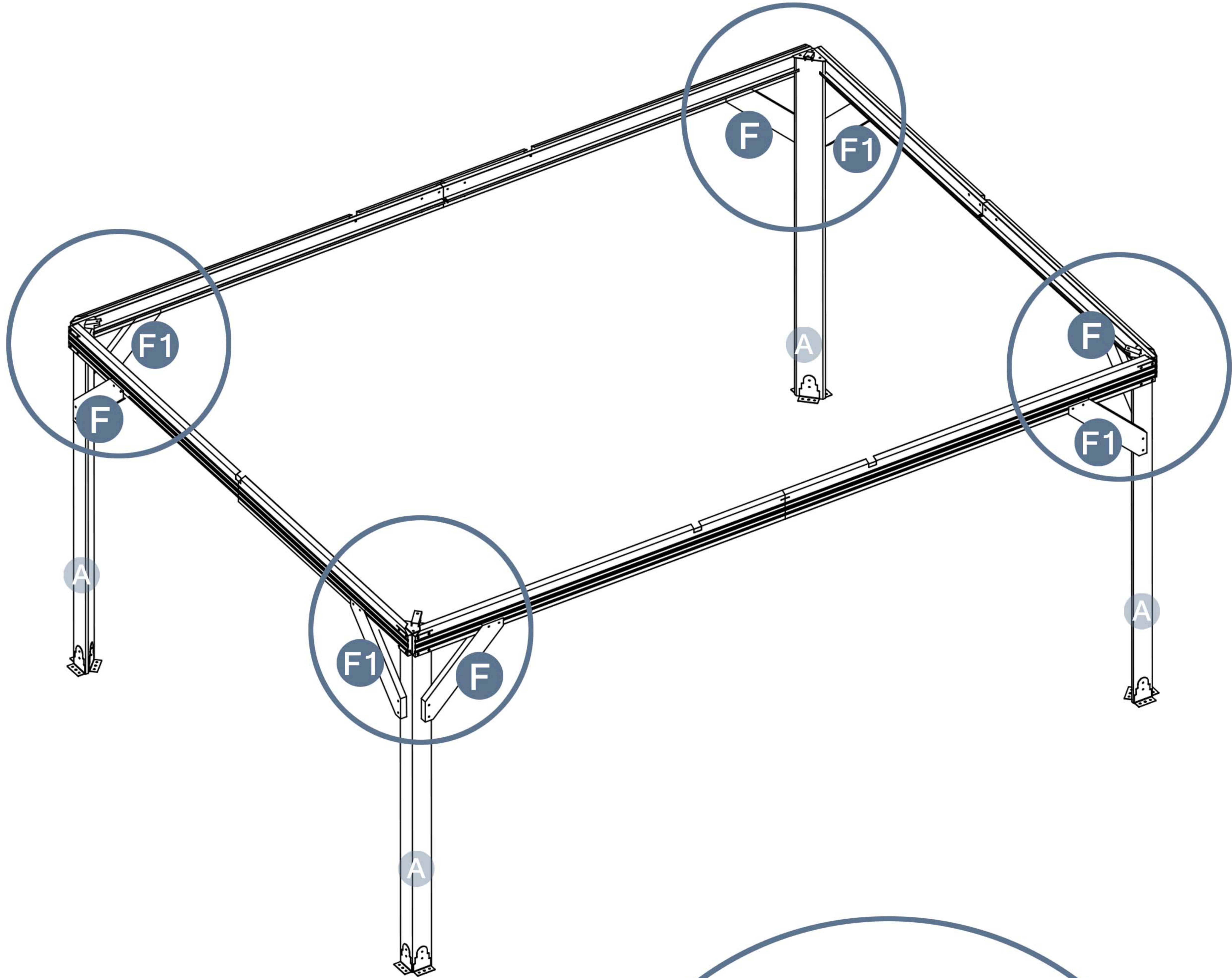
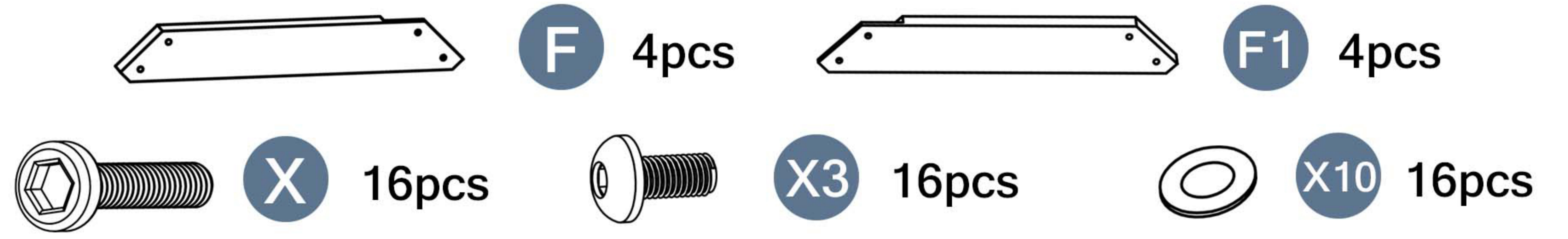
Please take care of the screws and contact the after-sales service if there is any problem with the installation or parts.




E-mail: [cs.helper01@gmail.com](mailto:cs.helper01@gmail.com)

# STEP 4

Parts required



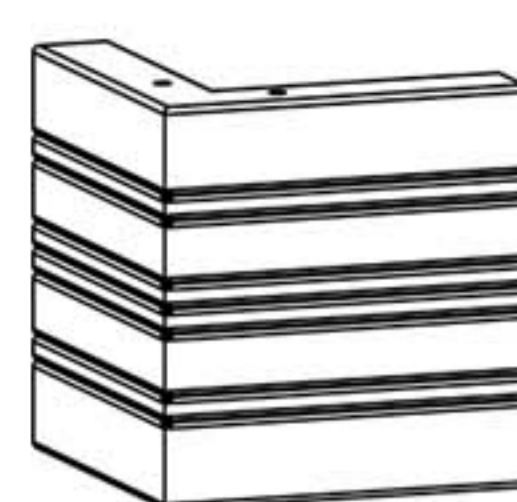
!!! Note  the screws above and below are different.

Please take care of the screws and contact the after-sales service if there is any problem with the installation or parts.

➔  E-mail: [cs.helper01@gmail.com](mailto:cs.helper01@gmail.com)

# STEP 5

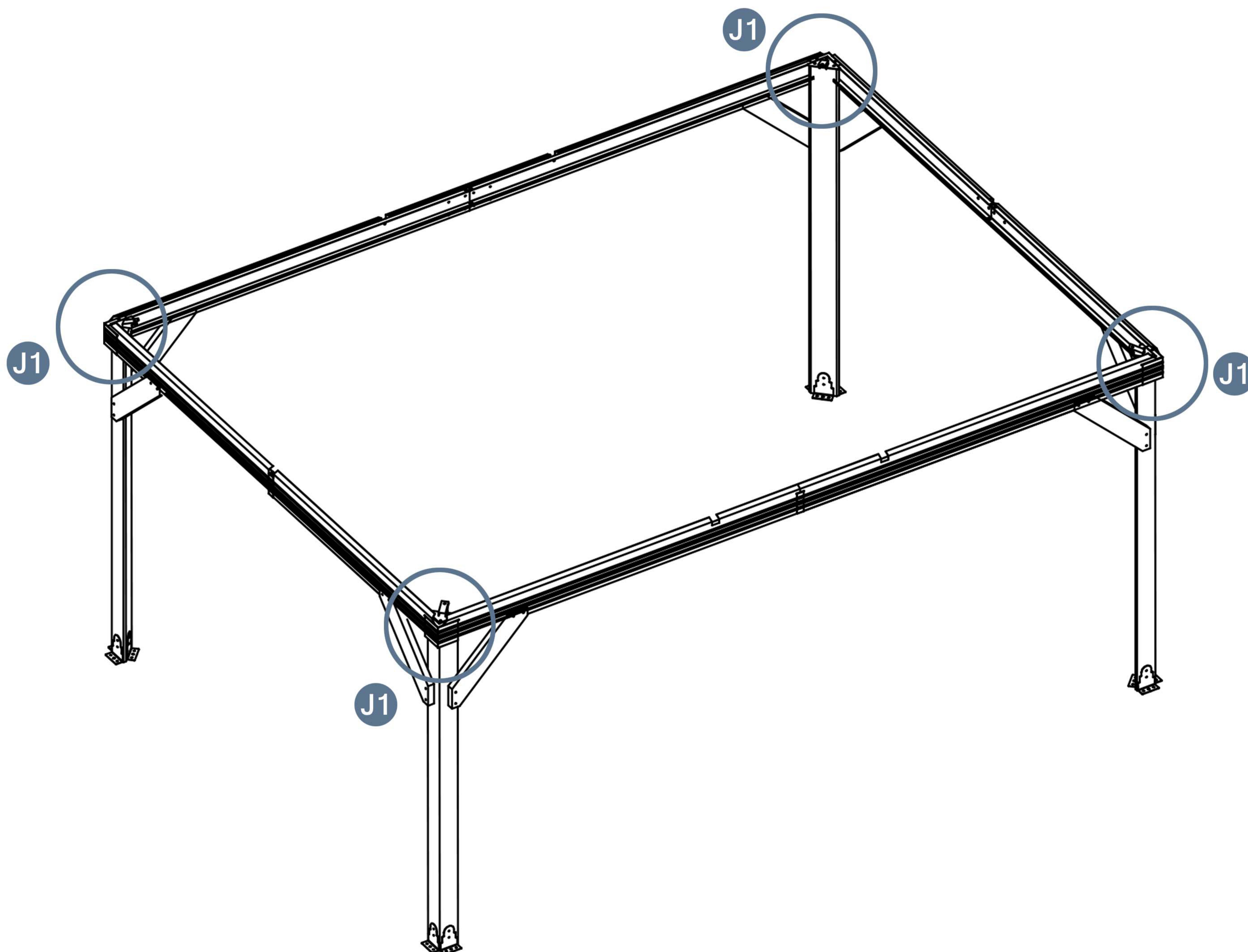
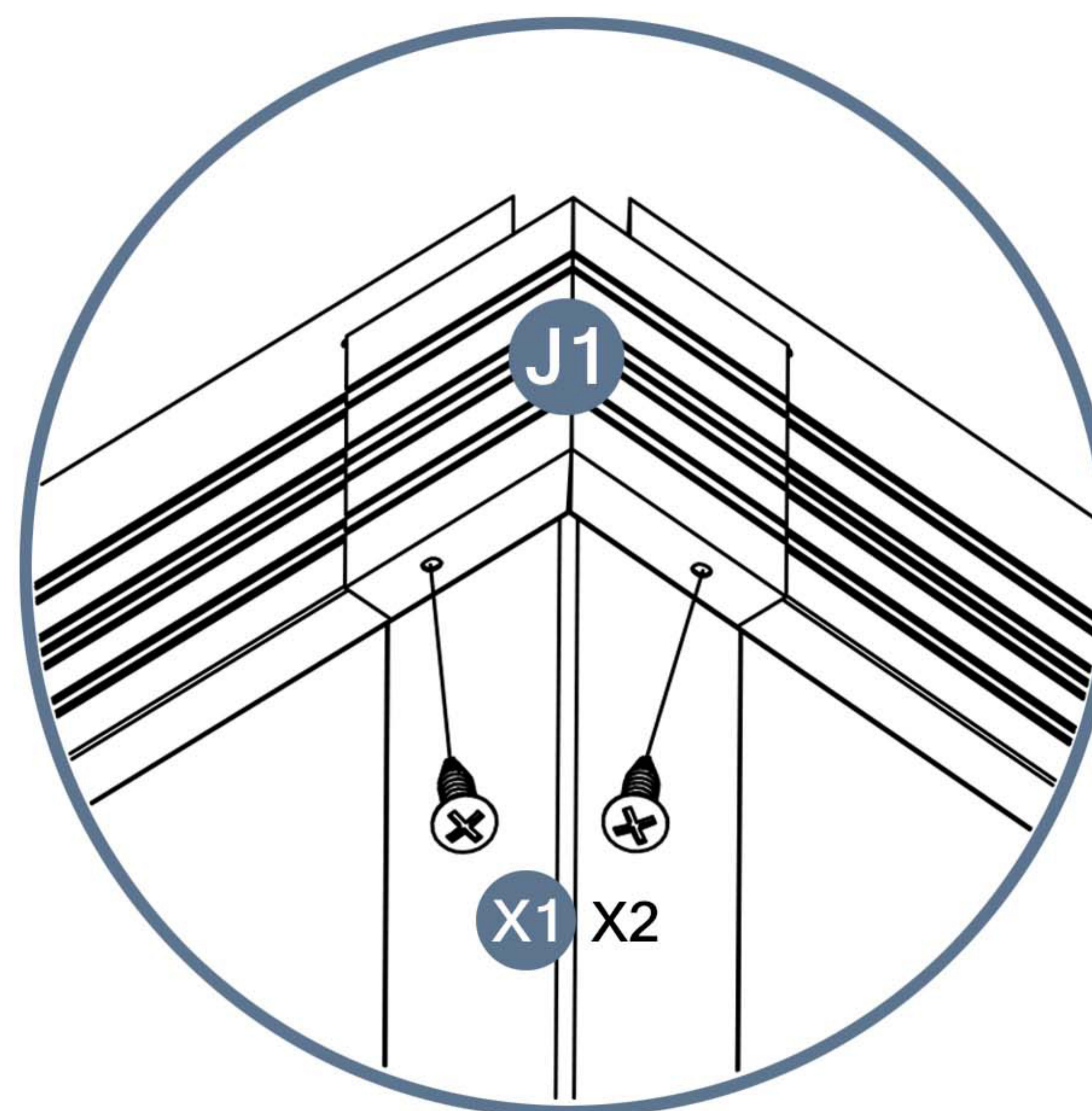
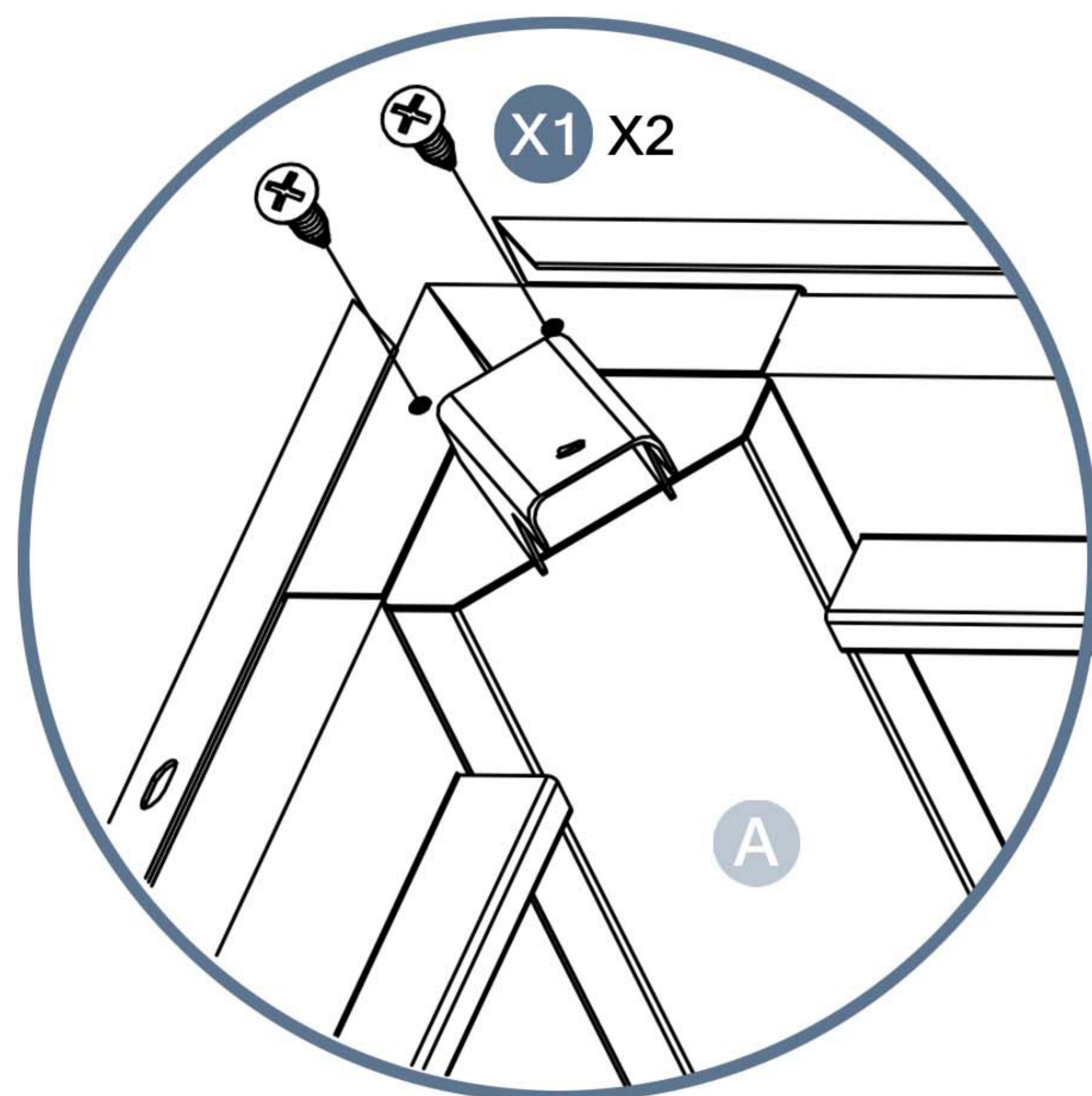
Parts required



J1 4pcs



X1 16pcs



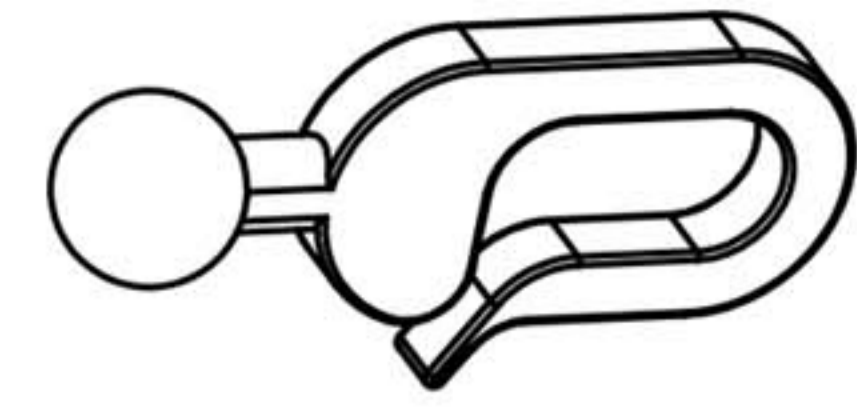
Please take care of the screws and contact the after-sales service if there is any problem with the installation or parts.



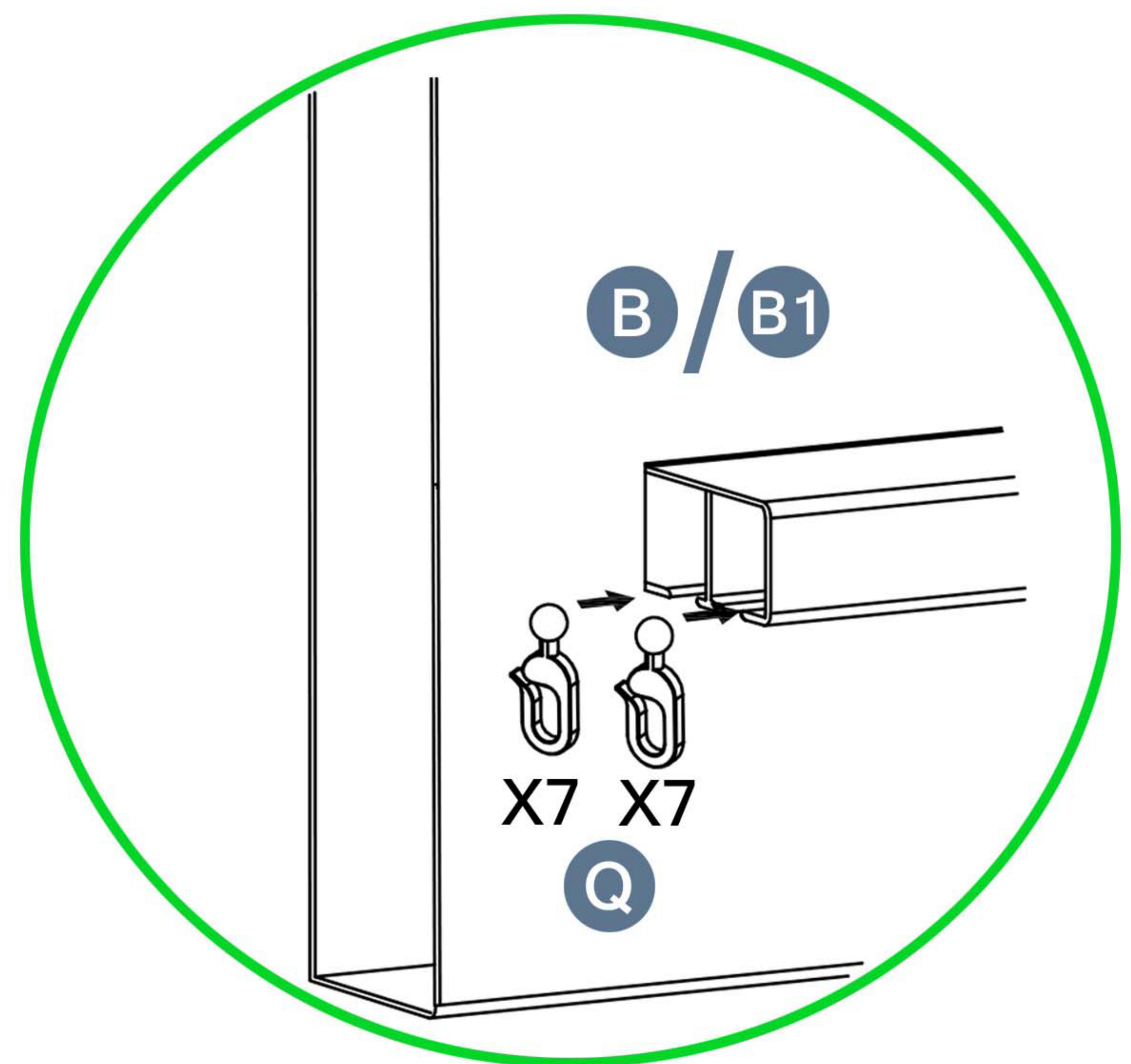
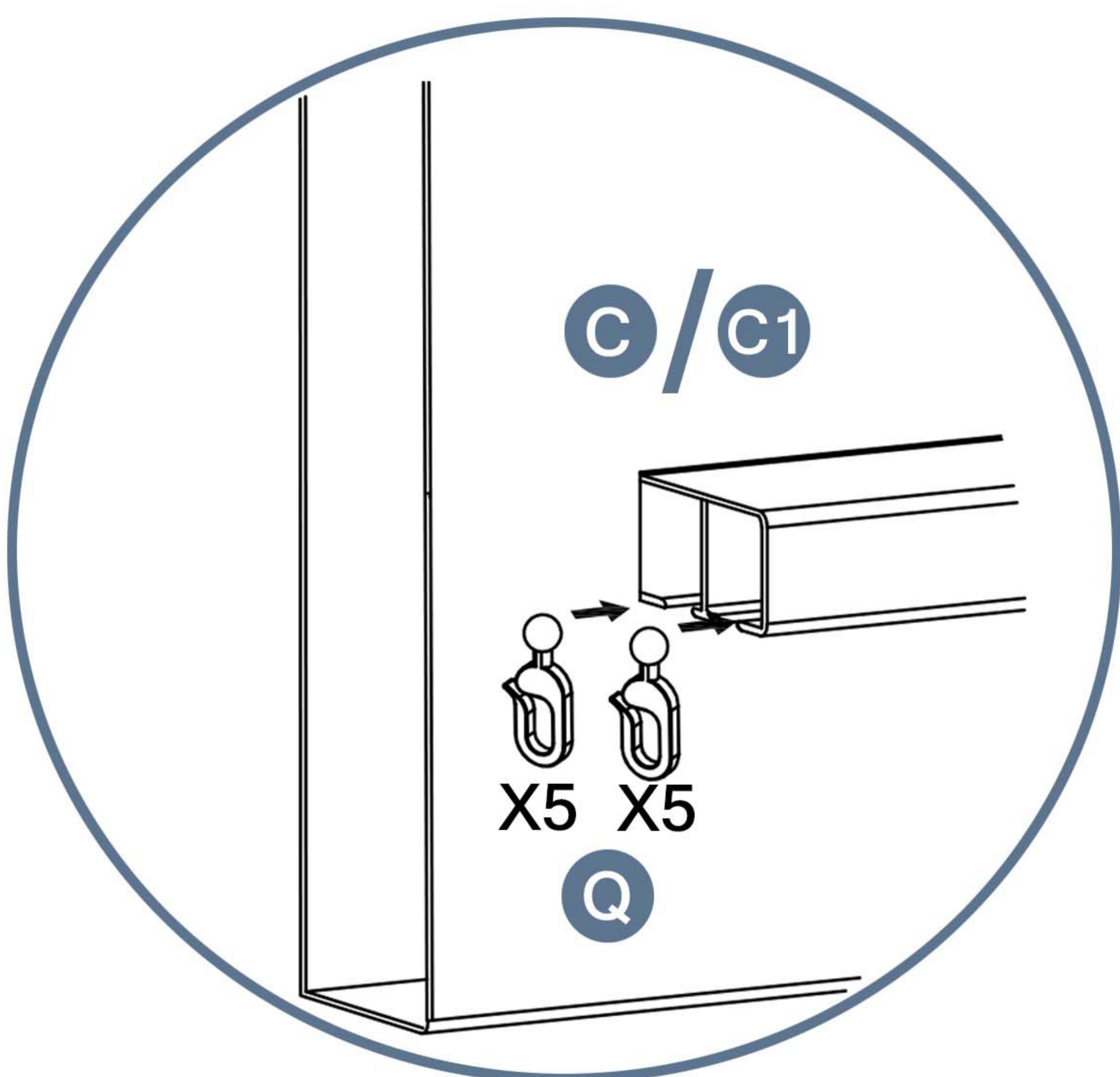
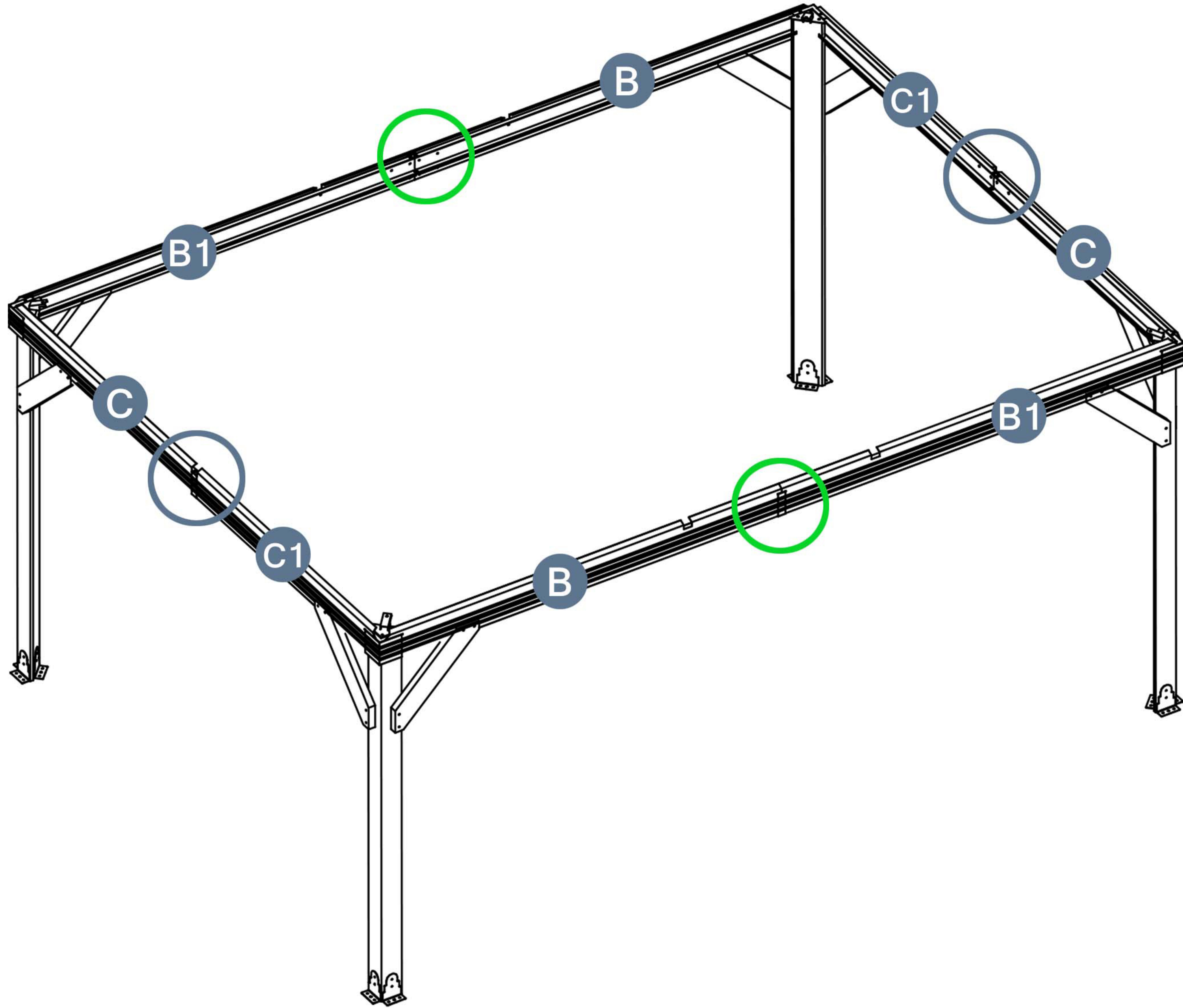
E-mail: [cs.helper01@gmail.com](mailto:cs.helper01@gmail.com)

# STEP 6

Parts required



Q 96pcs

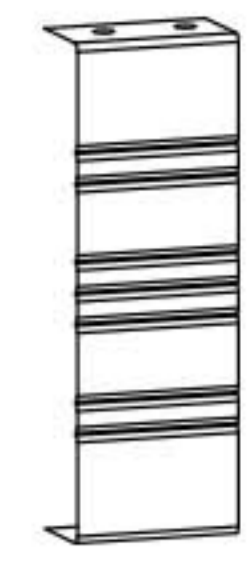


Please take care of the screws and contact the after-sales service if there is any problem with the installation or parts.

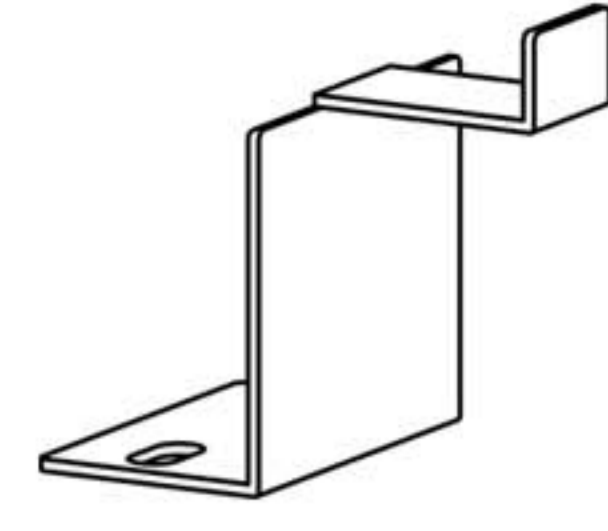


# STEP 7

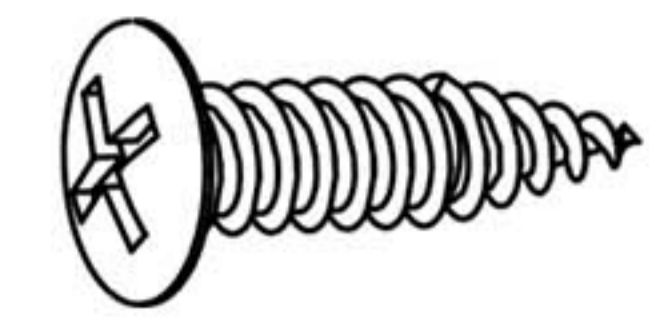
Parts required



J2 4pcs

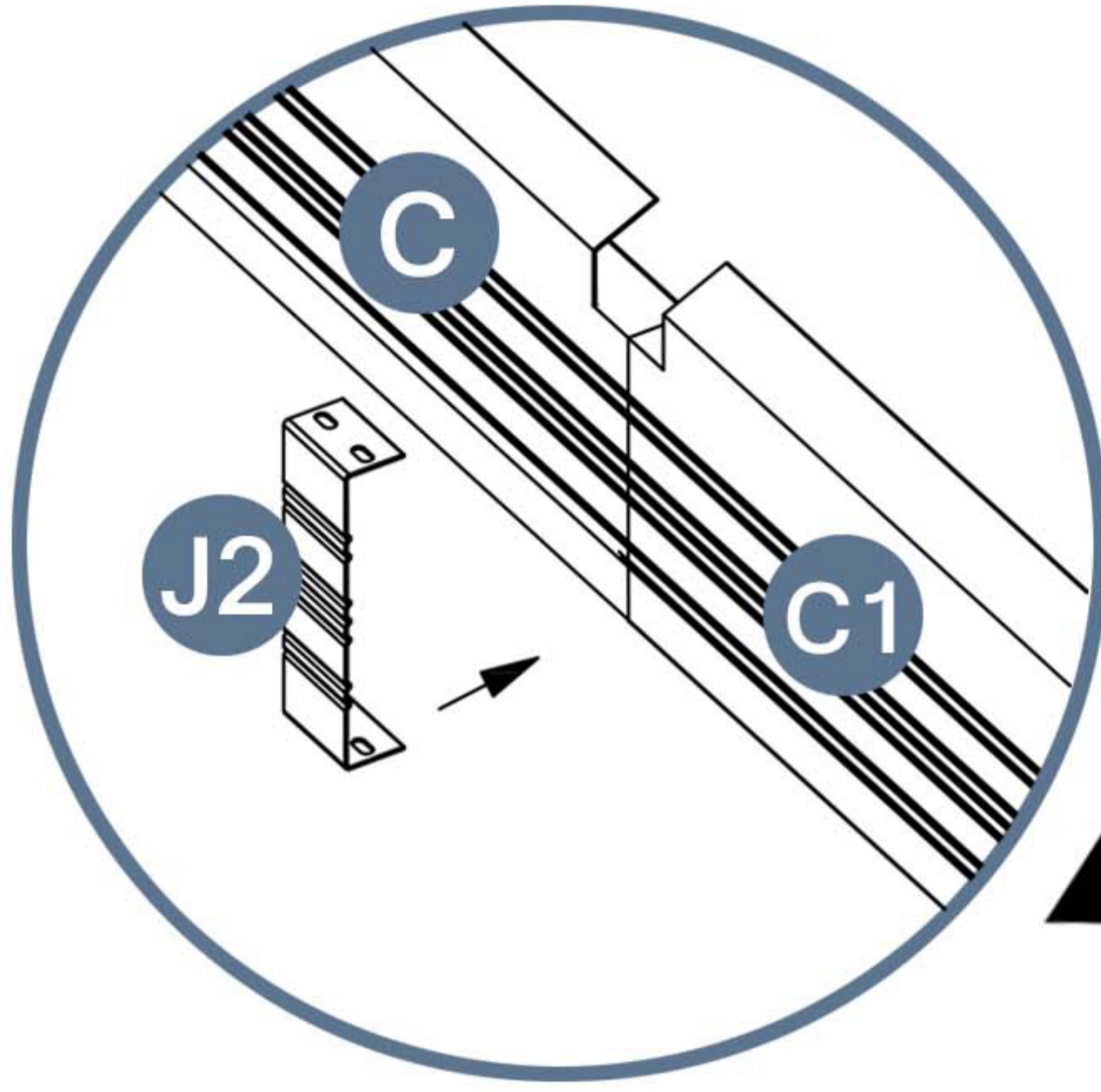


M6 4pcs

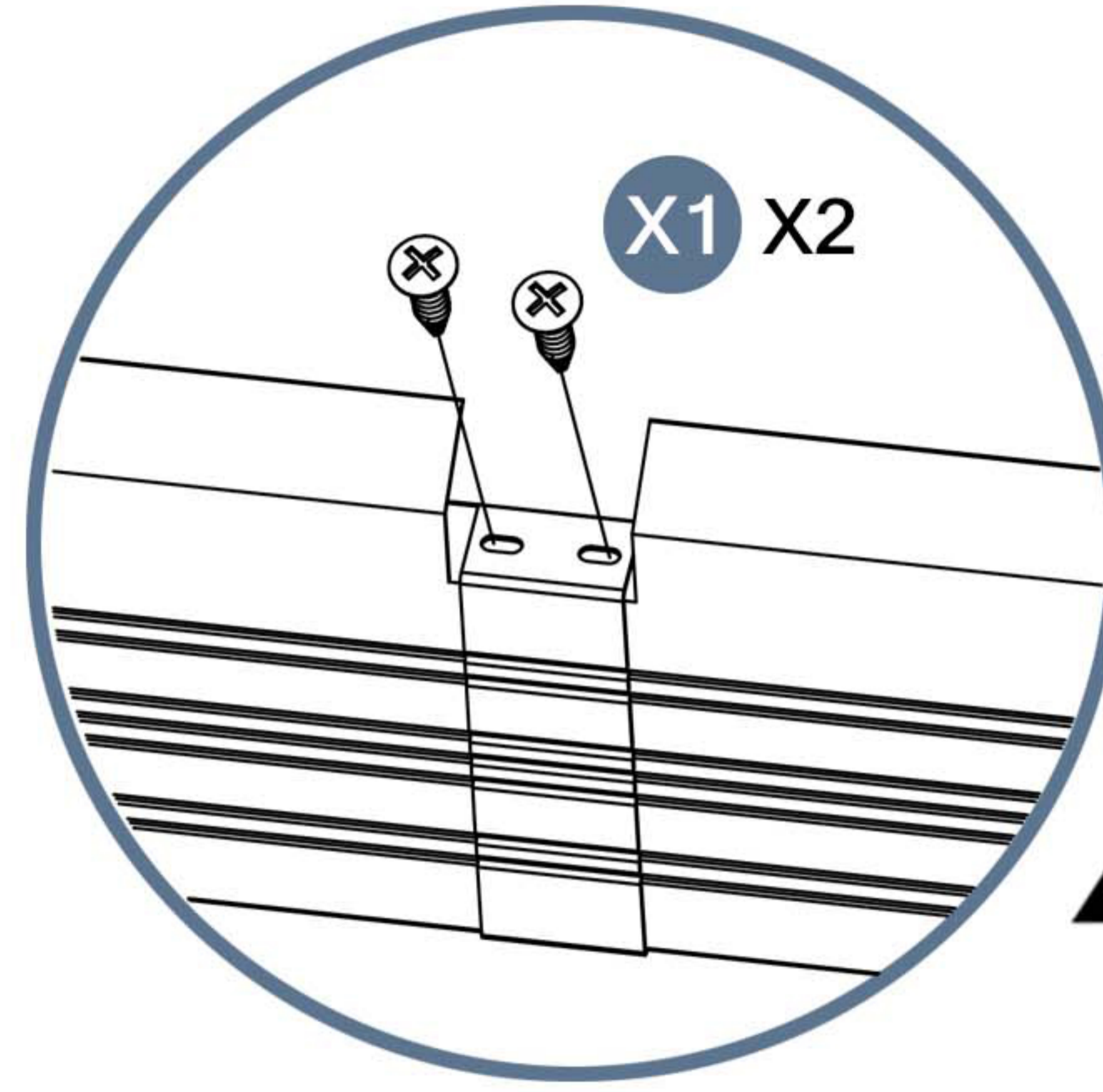


X1 12pcs

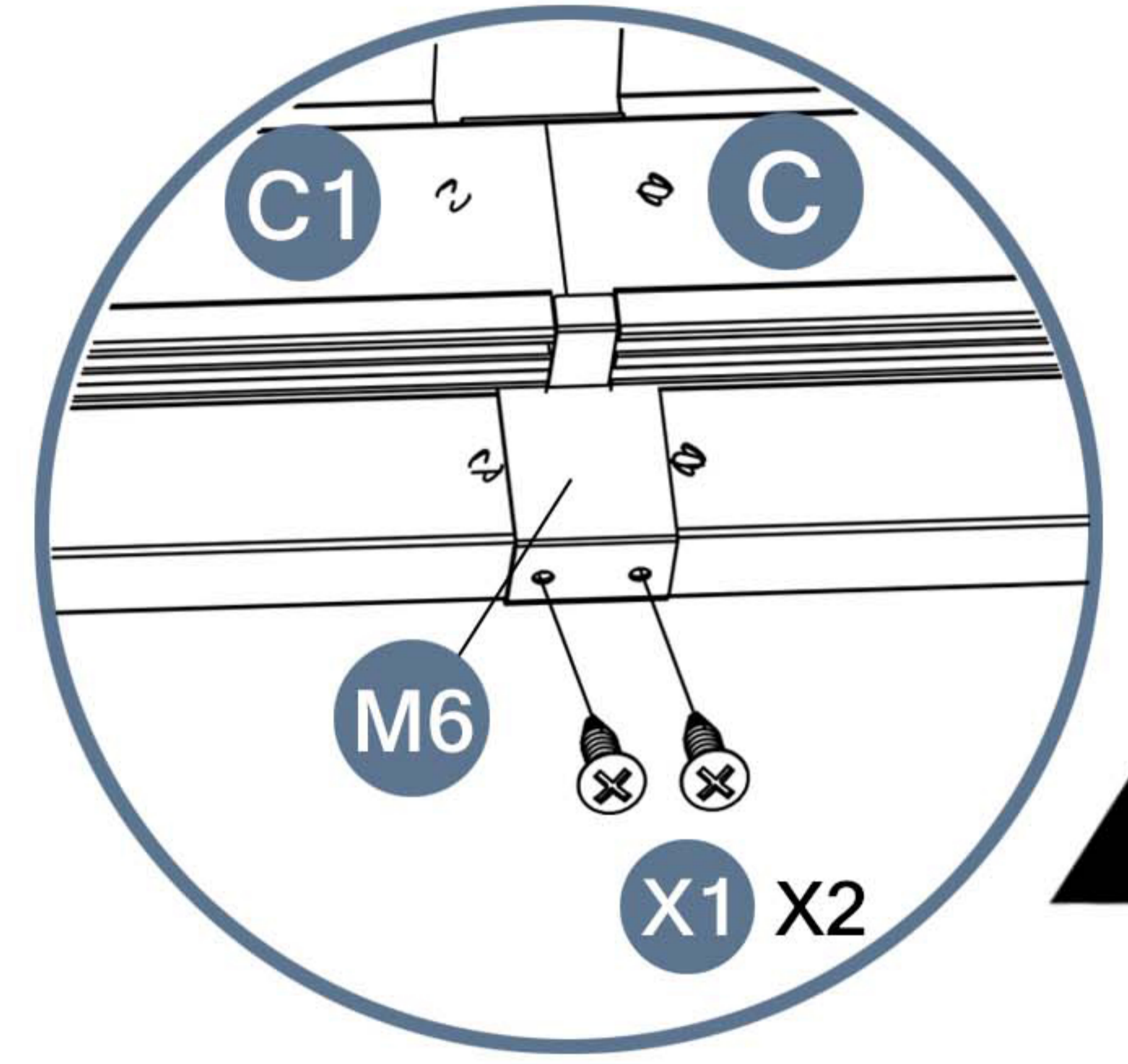
1 → 2 → 3



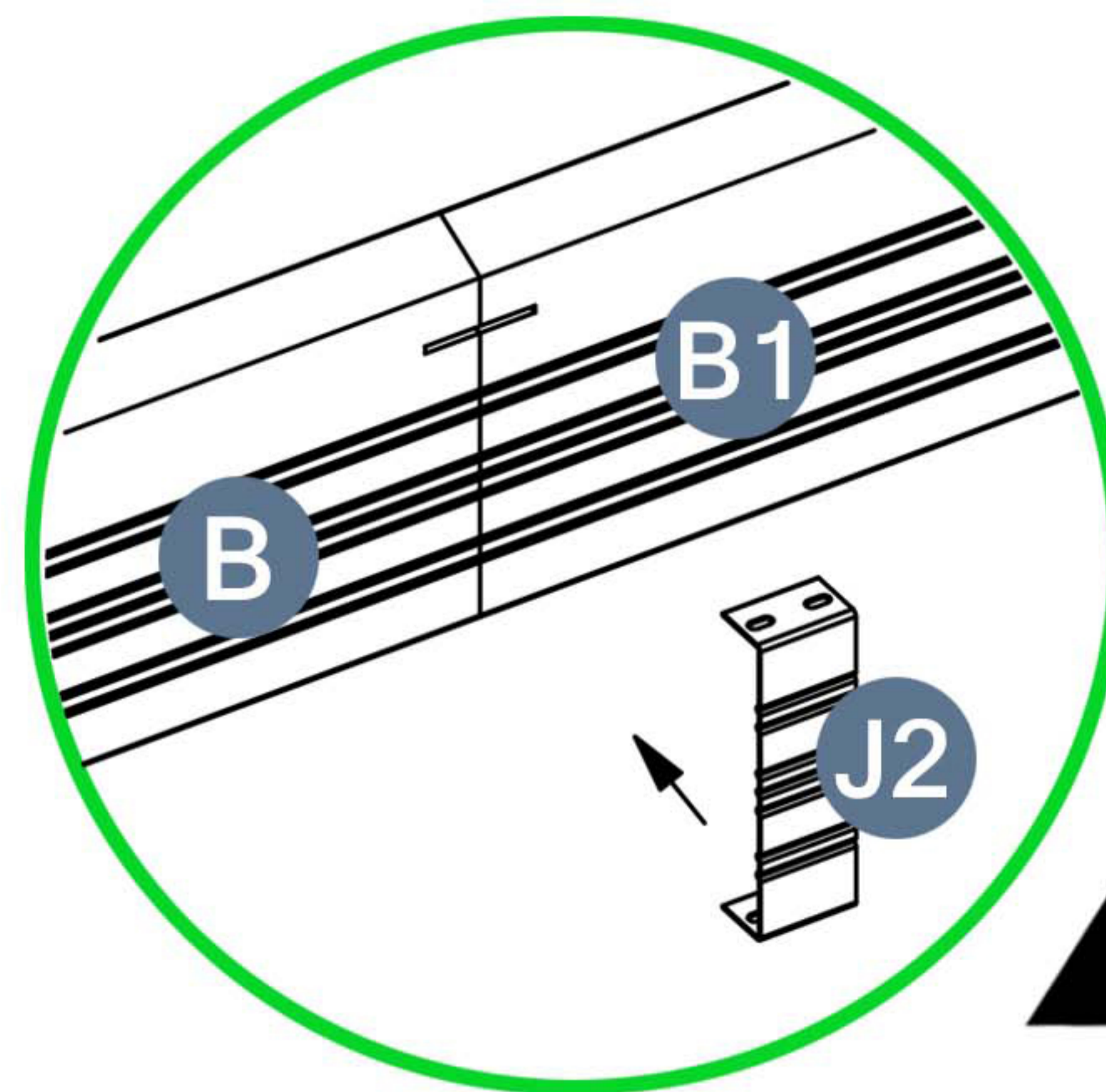
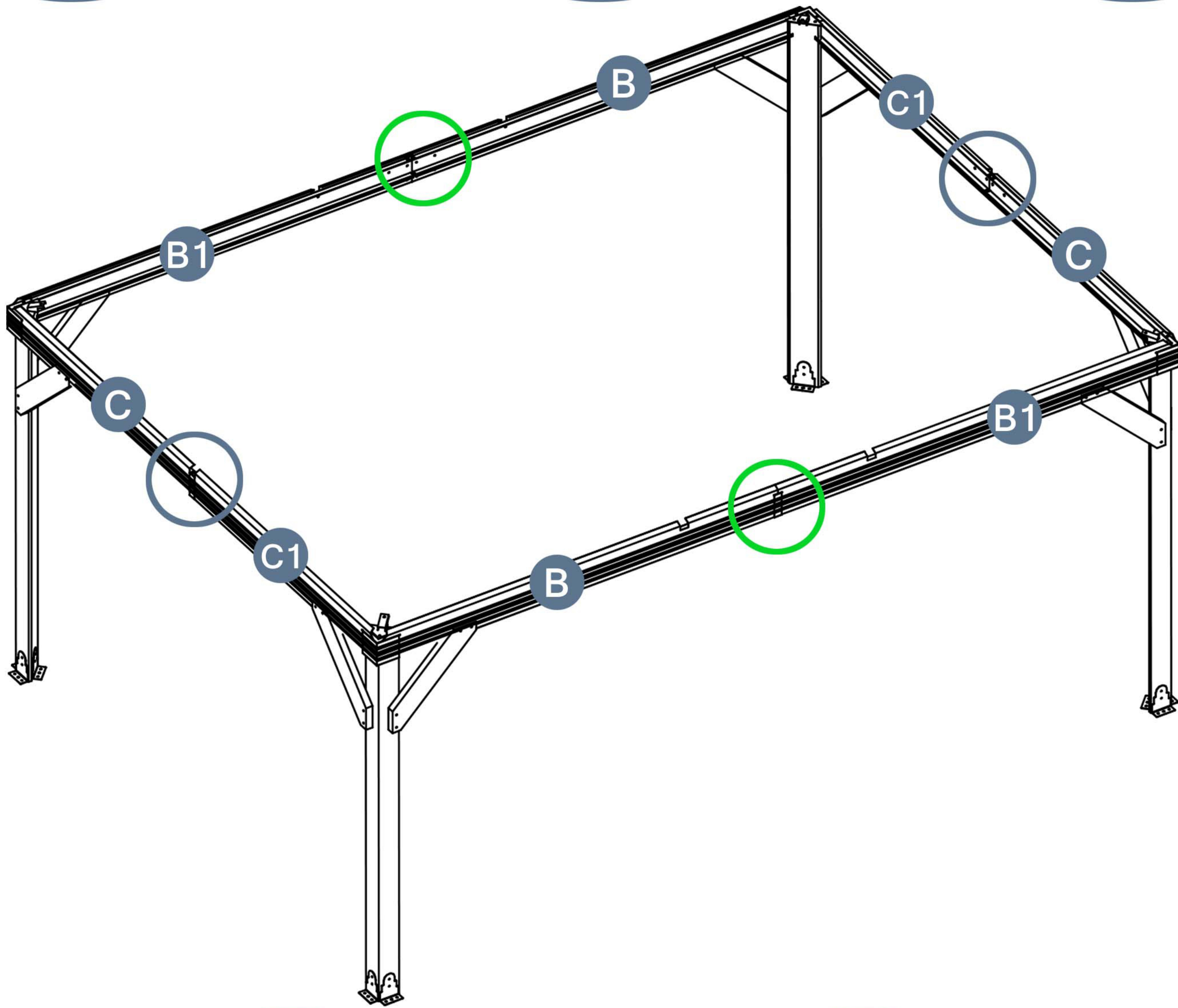
1



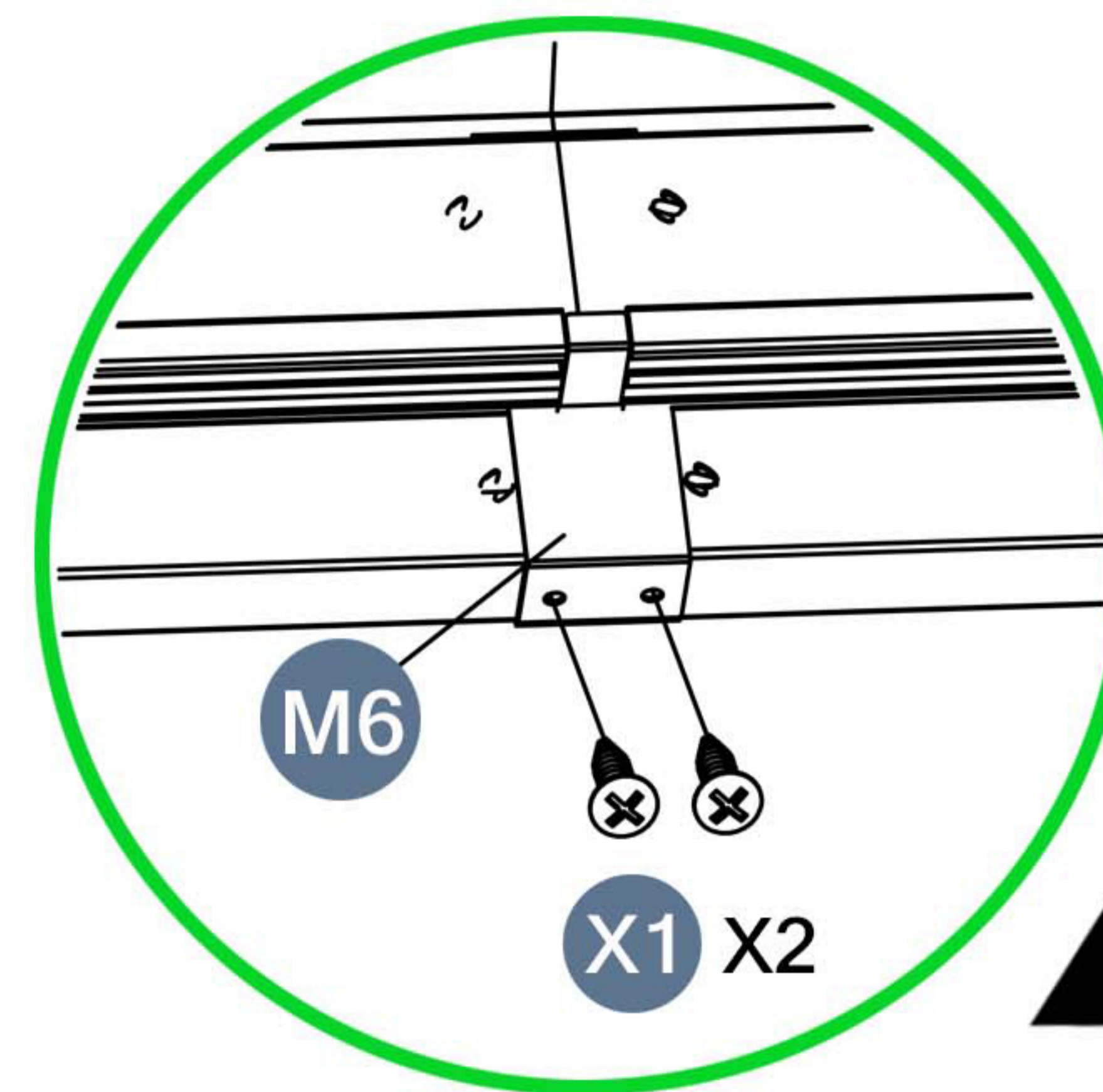
2



3

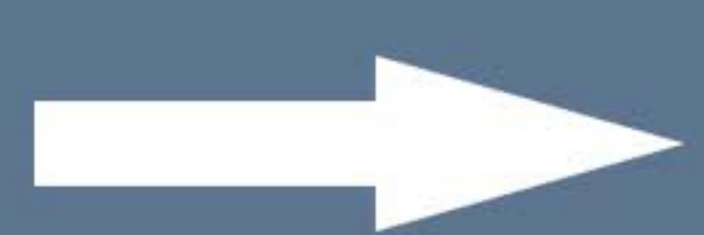


1



2

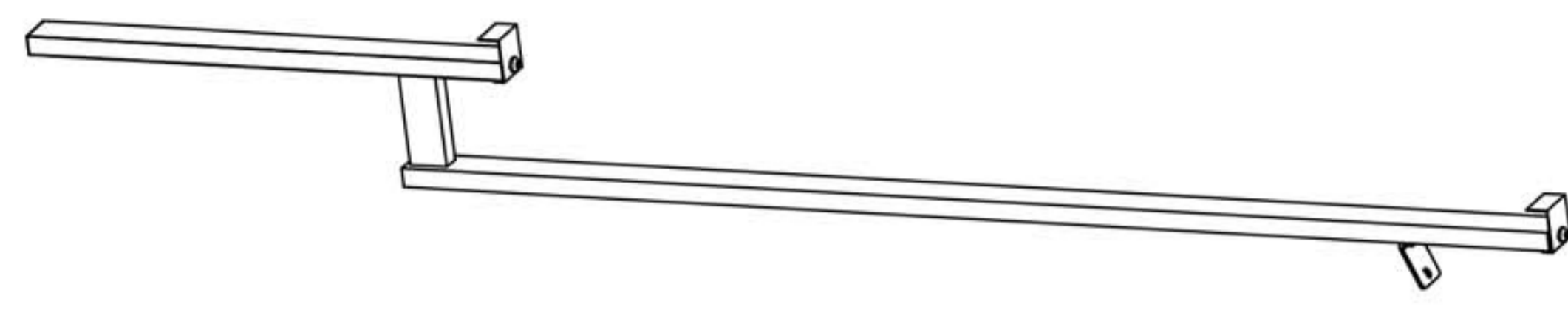
Please take care of the screws and contact the after-sales service if there is any problem with the installation or parts.



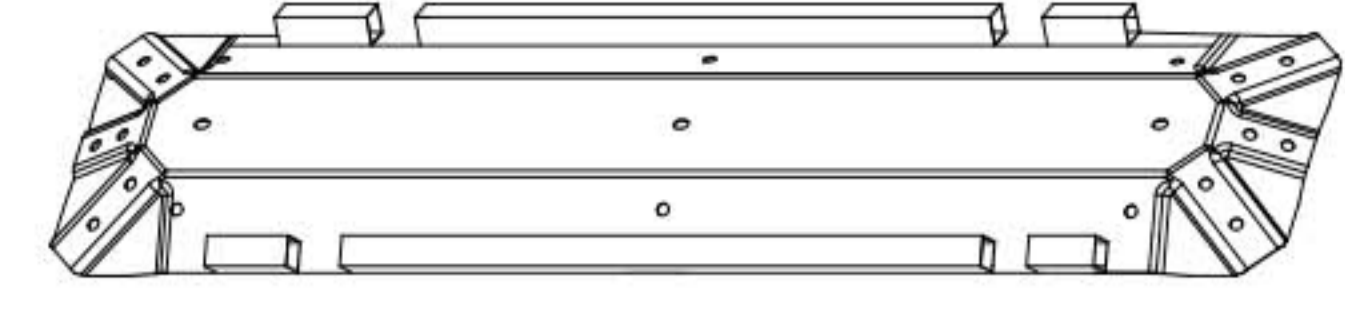
E-mail: [cs.helper01@gmail.com](mailto:cs.helper01@gmail.com)

# STEP 8

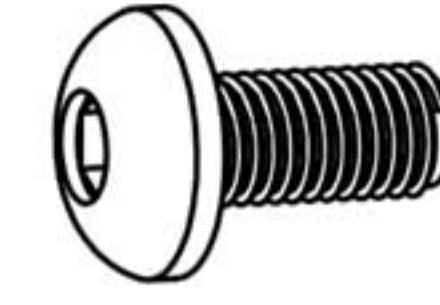
Parts required



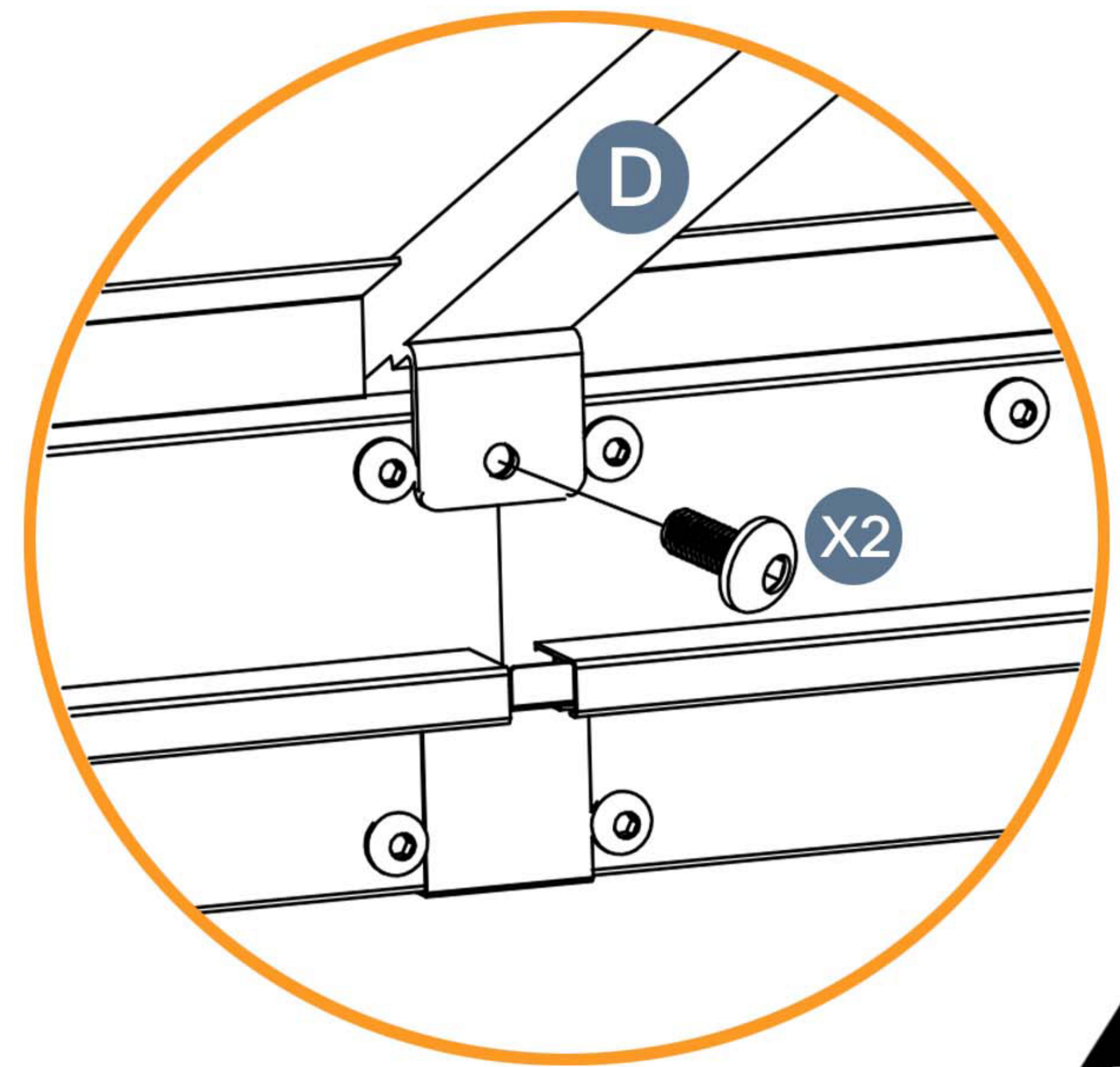
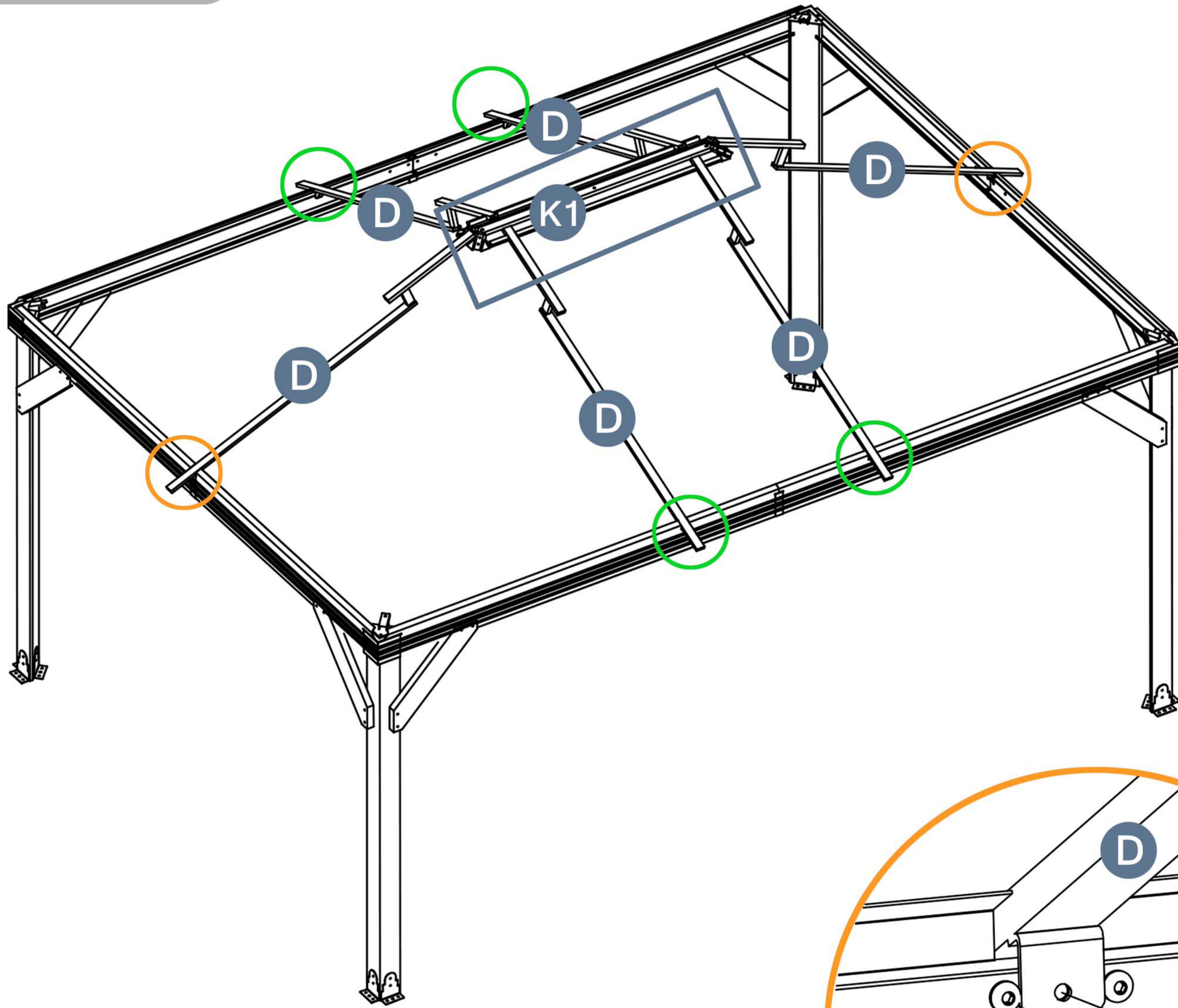
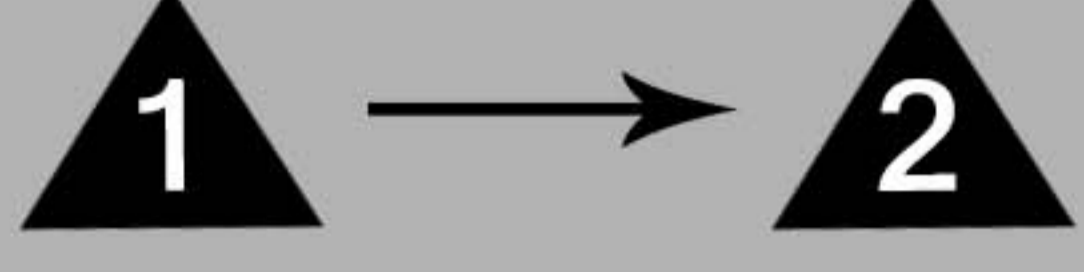
D 6pcs



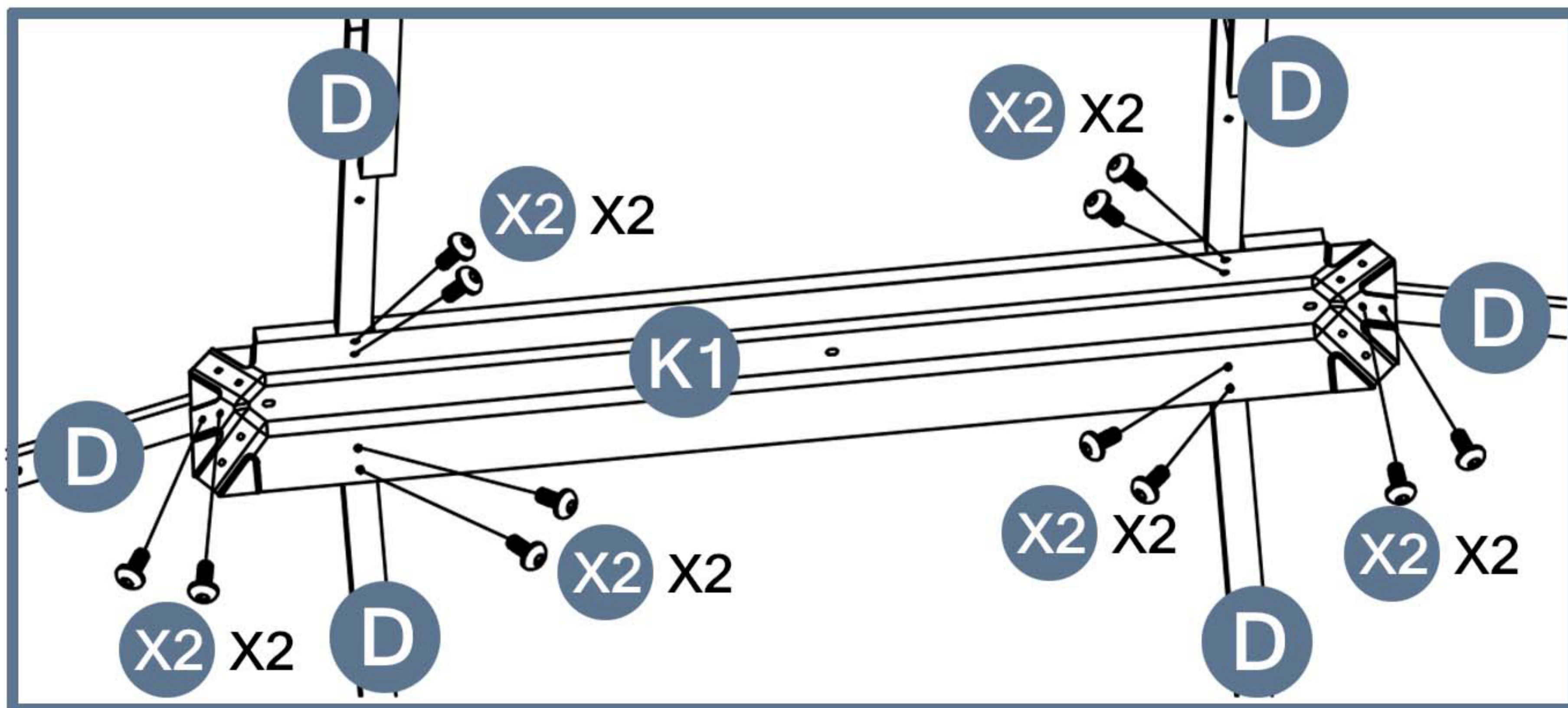
K1 1pcs



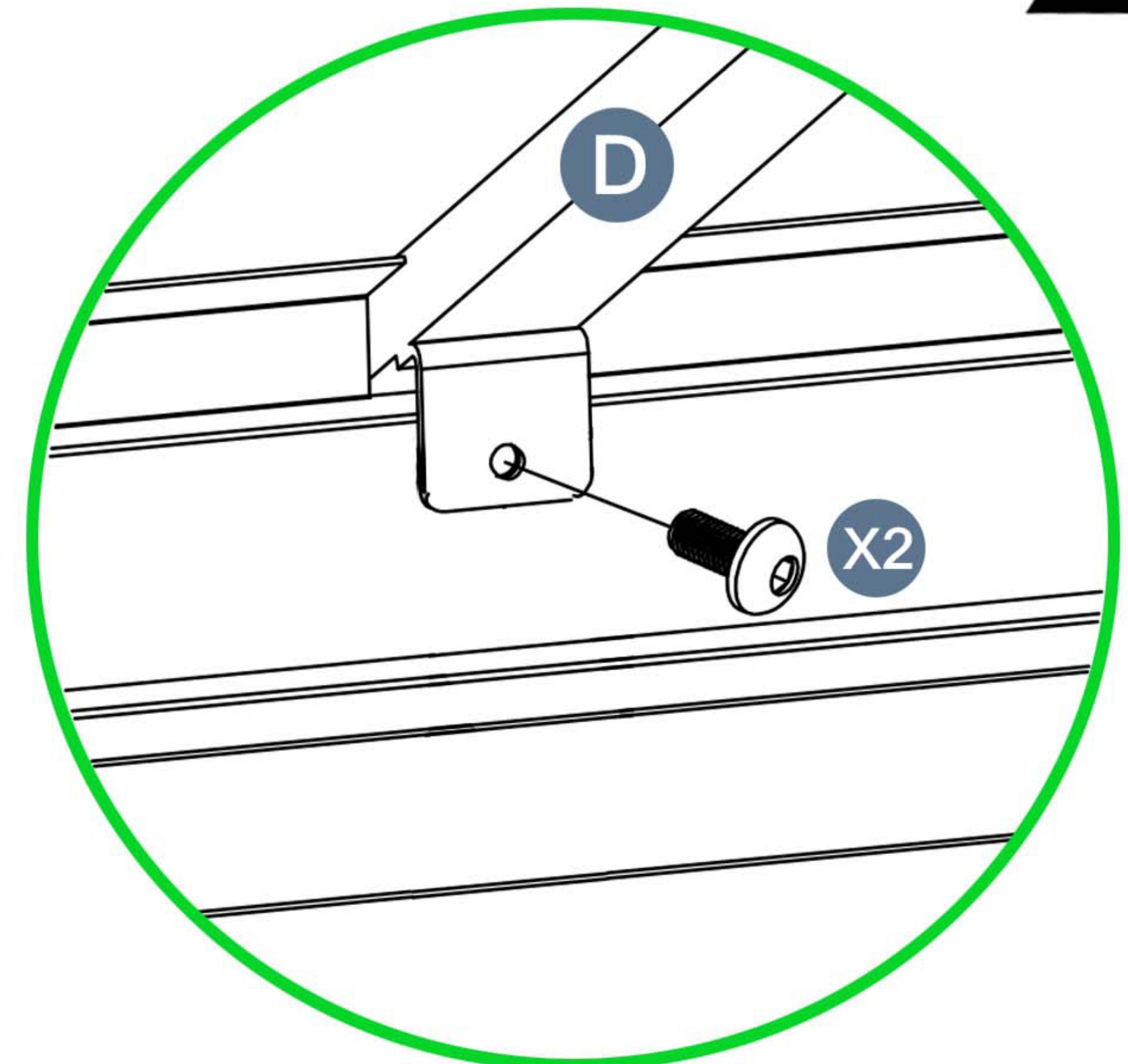
X2 18pcs



2



1



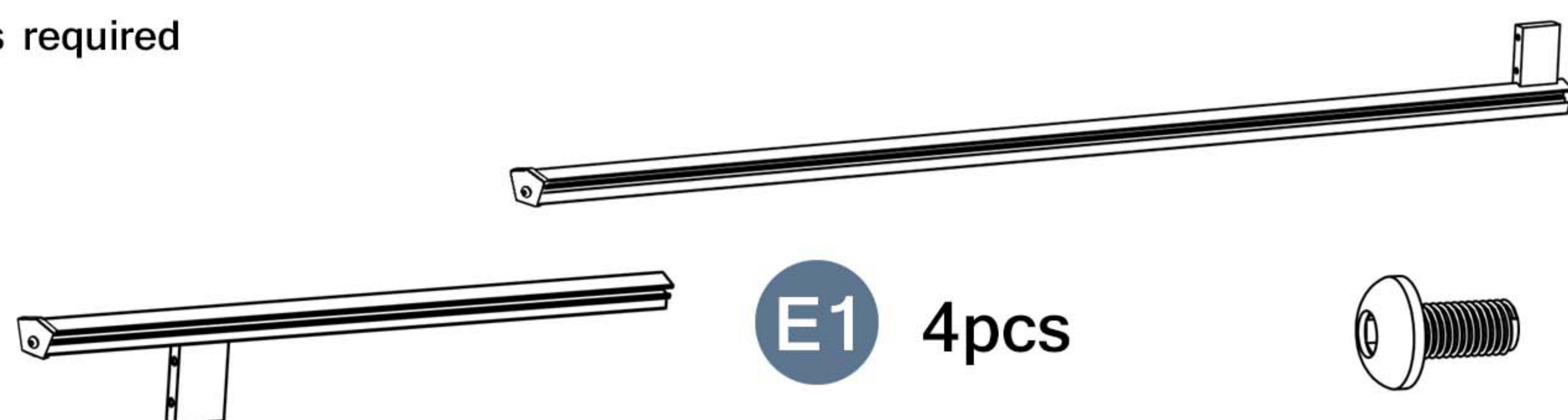
Please take care of the screws and contact the after-sales service if there is any problem with the installation or parts.



E-mail: [cs.helper01@gmail.com](mailto:cs.helper01@gmail.com)

# STEP 9

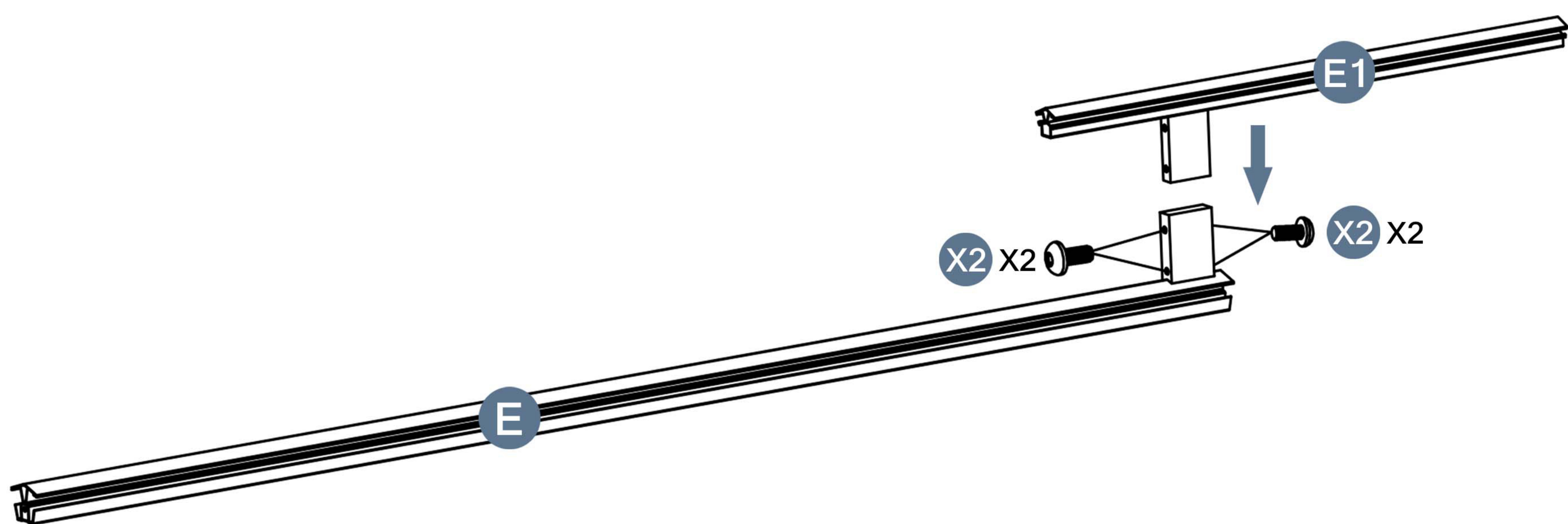
Parts required



E1 4pcs

E 4pcs

X2 16pcs



X4

Please take care of the screws and contact the after-sales service if there is any problem with the installation or parts.



E-mail: [cs.helper01@gmail.com](mailto:cs.helper01@gmail.com)

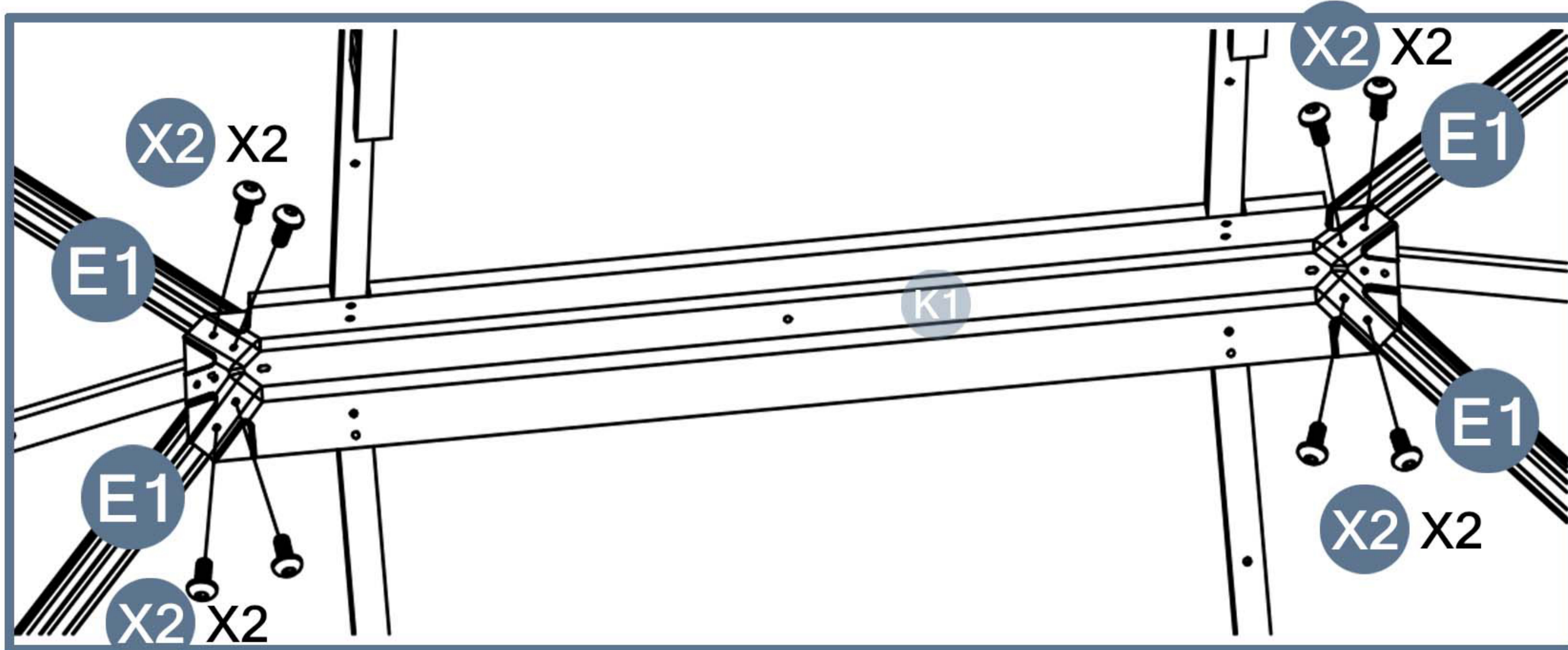
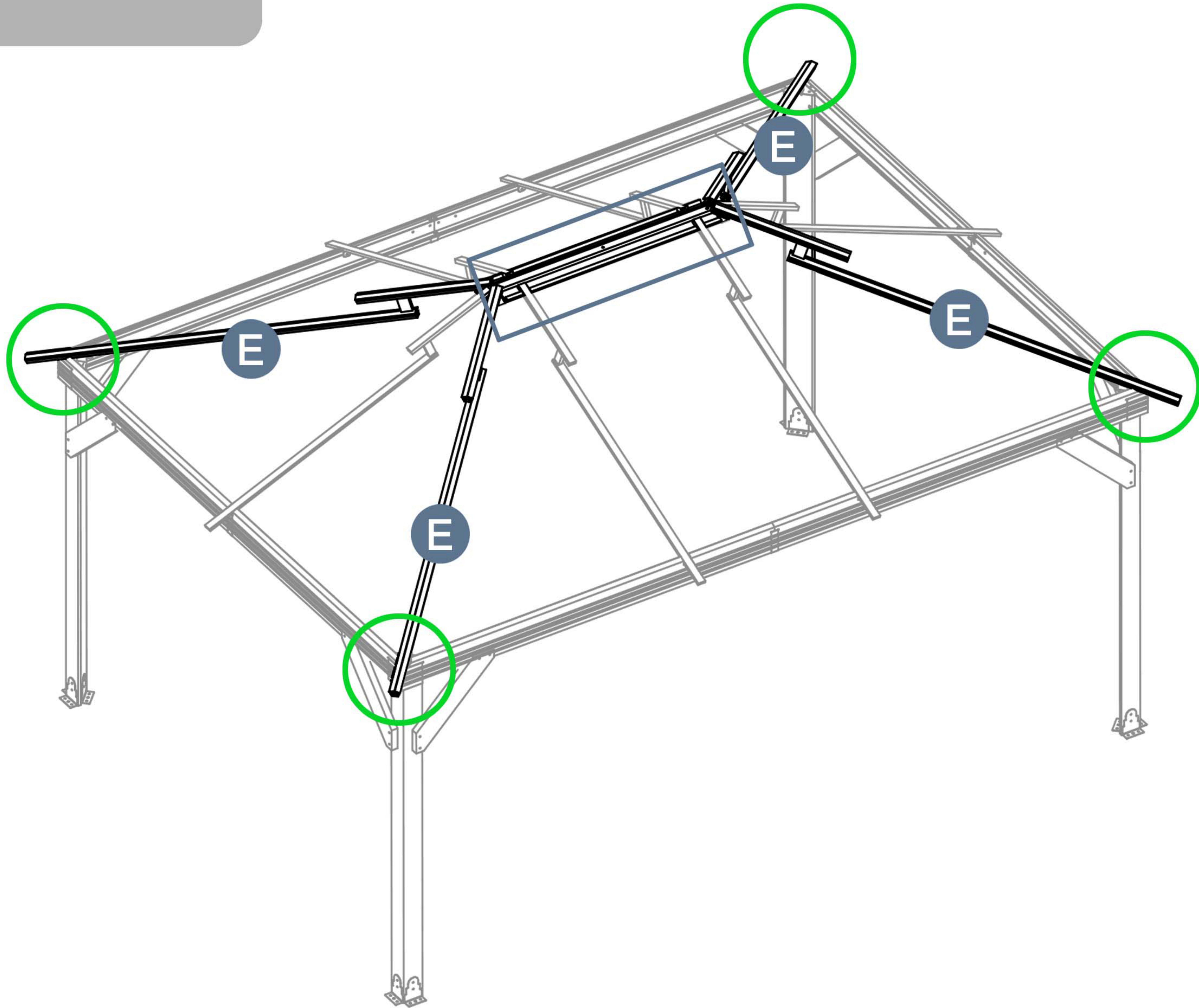
# STEP 10

Parts required

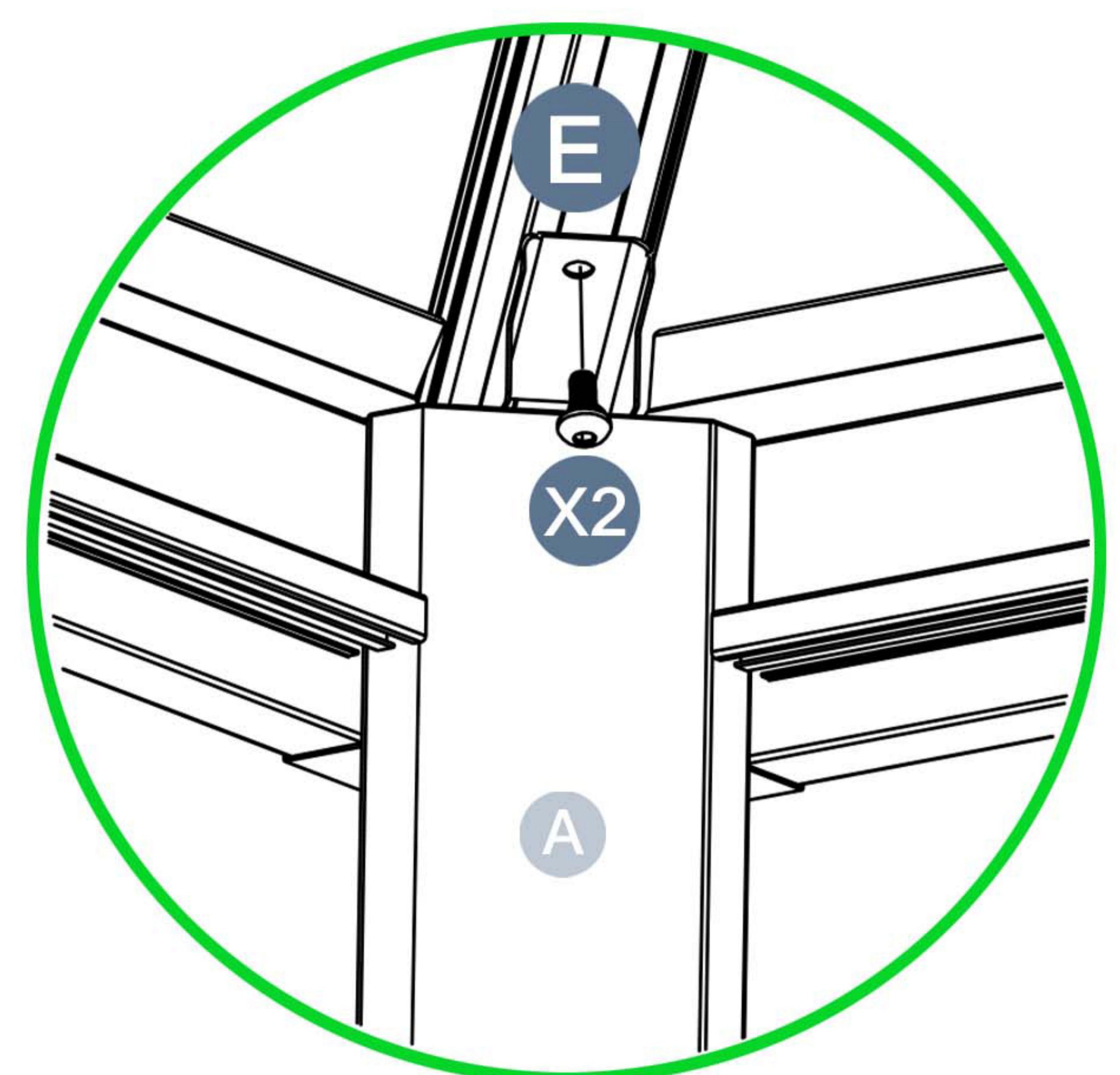


X2 12pcs

1 → 2



1



2

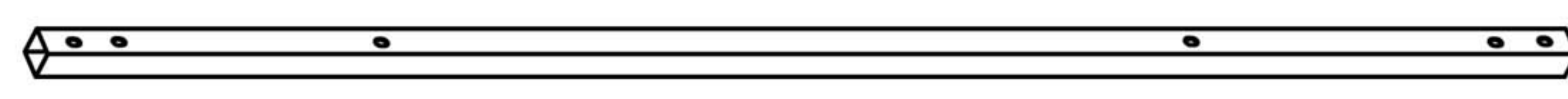
Please take care of the screws and contact the after-sales service if there is any problem with the installation or parts.



E-mail: [cs.helper01@gmail.com](mailto:cs.helper01@gmail.com)

# STEP 11

Parts required



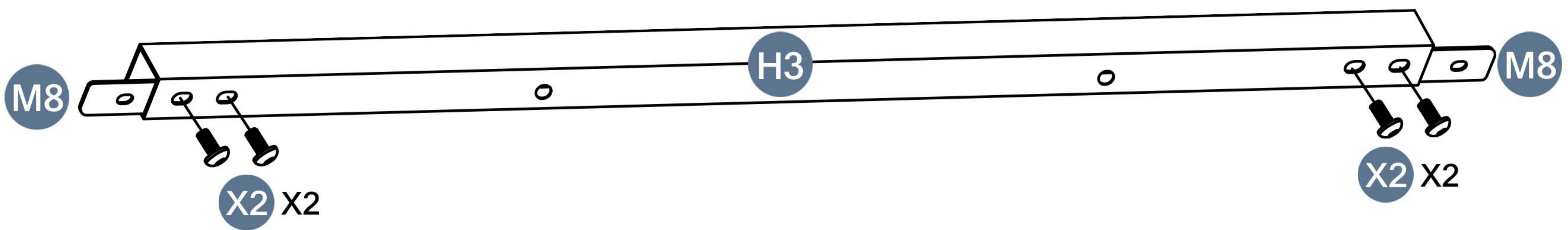
H3 2pcs



M8 4pcs



X2 8pcs



X2

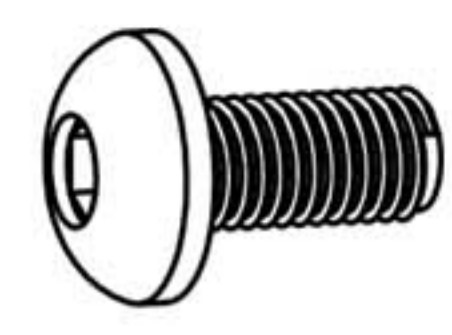
Please take care of the screws and contact the after-sales service if there is any problem with the installation or parts.



E-mail: [cs.helper01@gmail.com](mailto:cs.helper01@gmail.com)

# STEP 12

Parts required



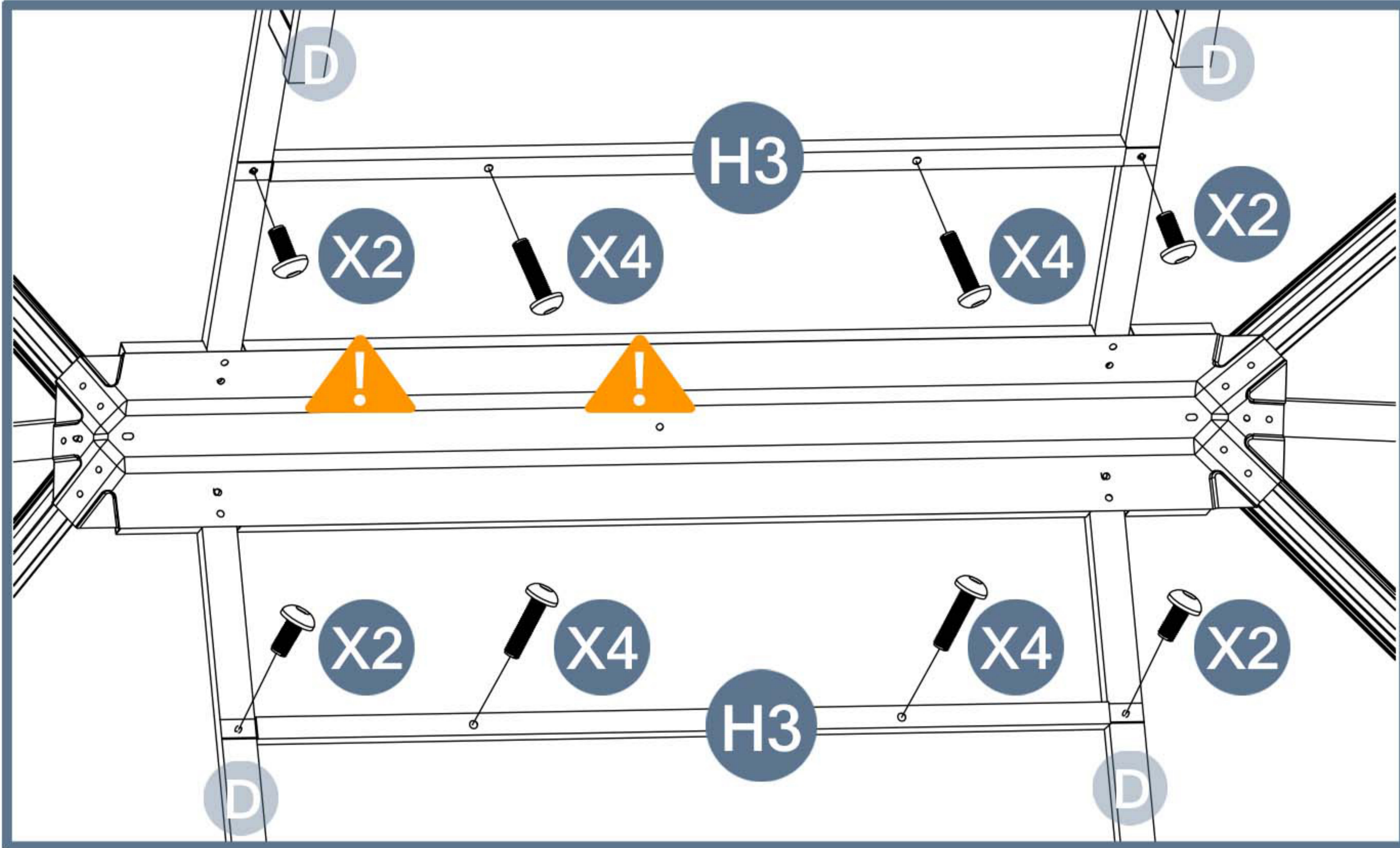
X2 4pcs



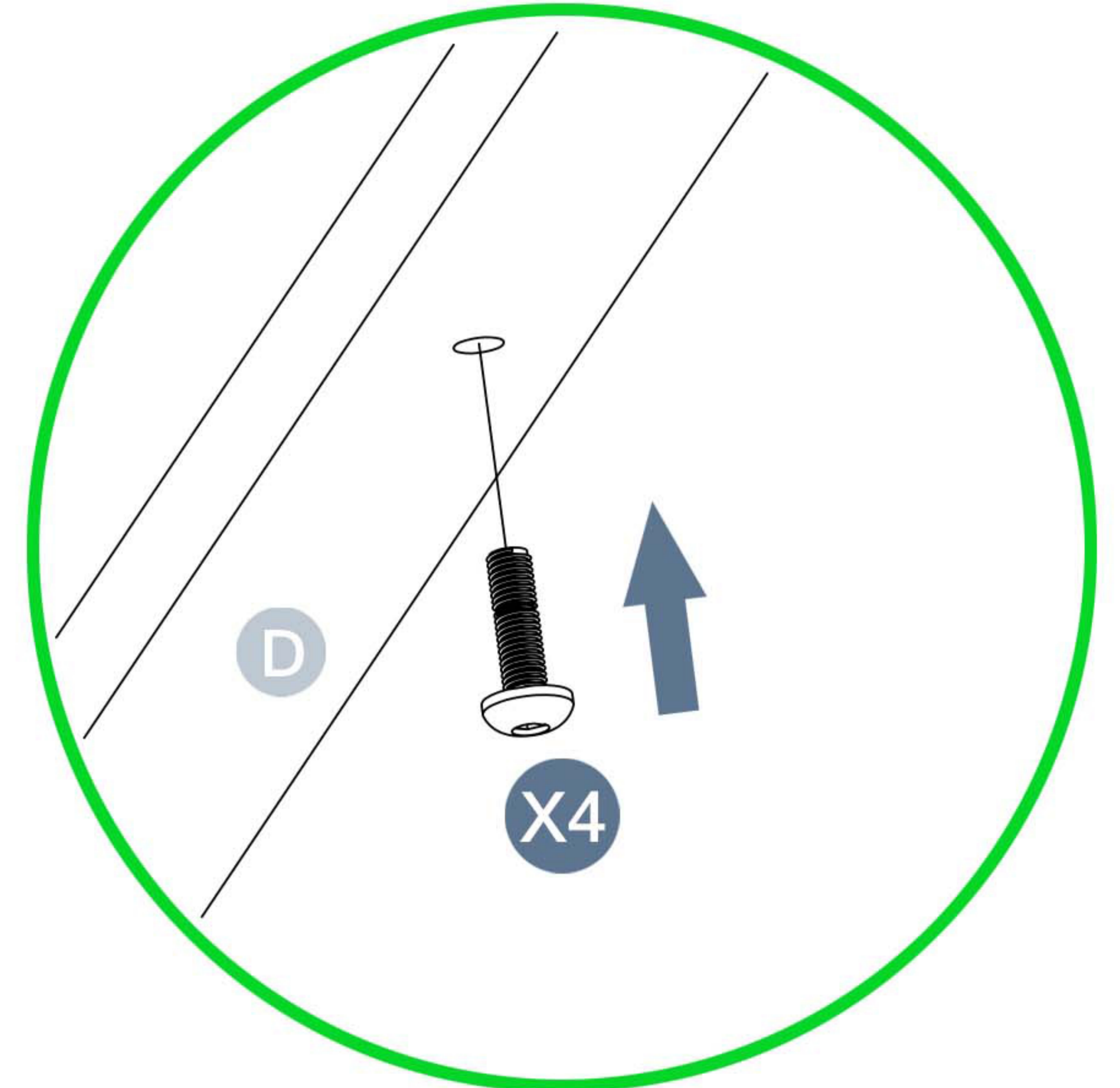
X4 6pcs



Only X4 screws are used in this step. Please store the X4 nuts. Steps 13 will be used.



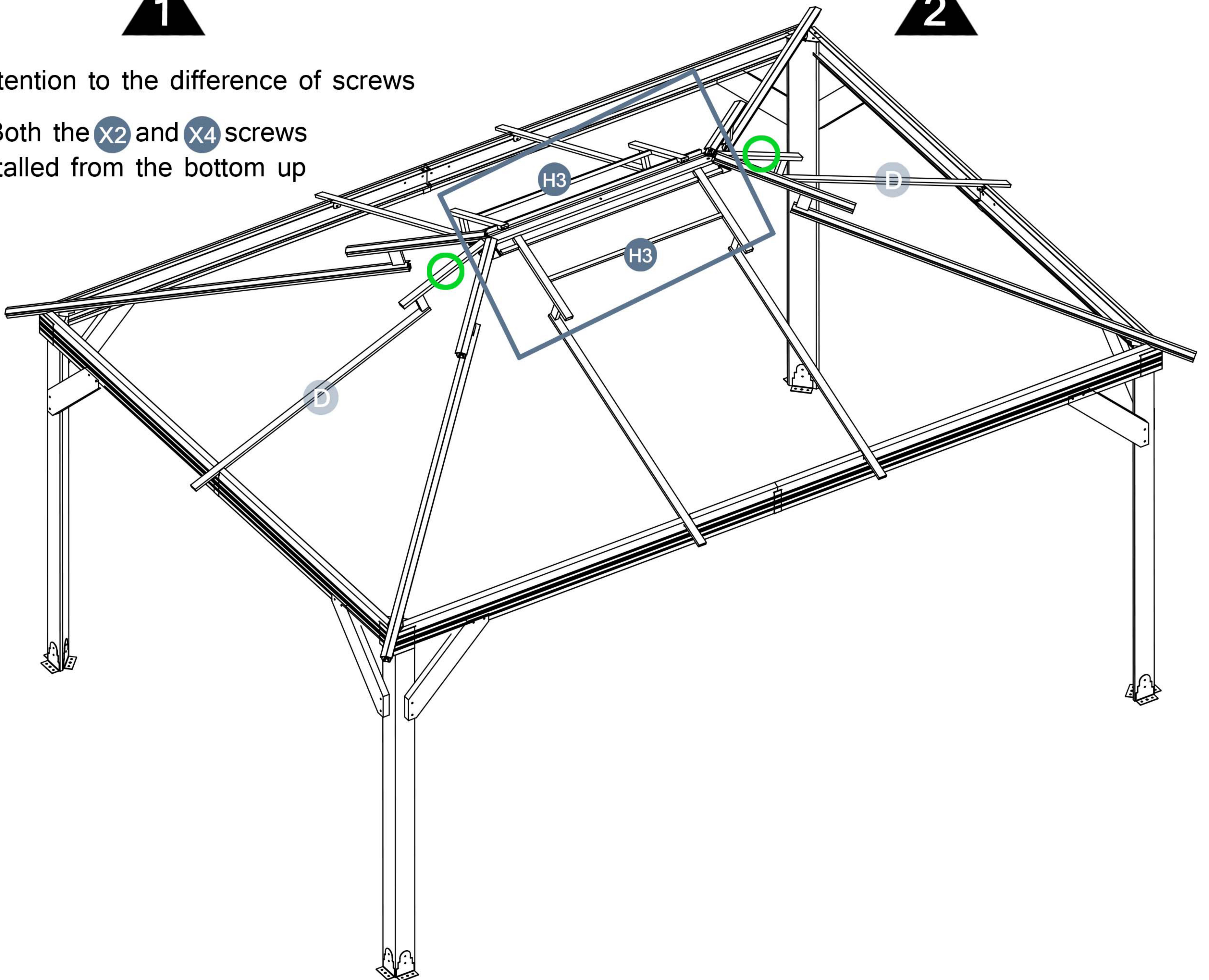
1



2

! Pay attention to the difference of screws

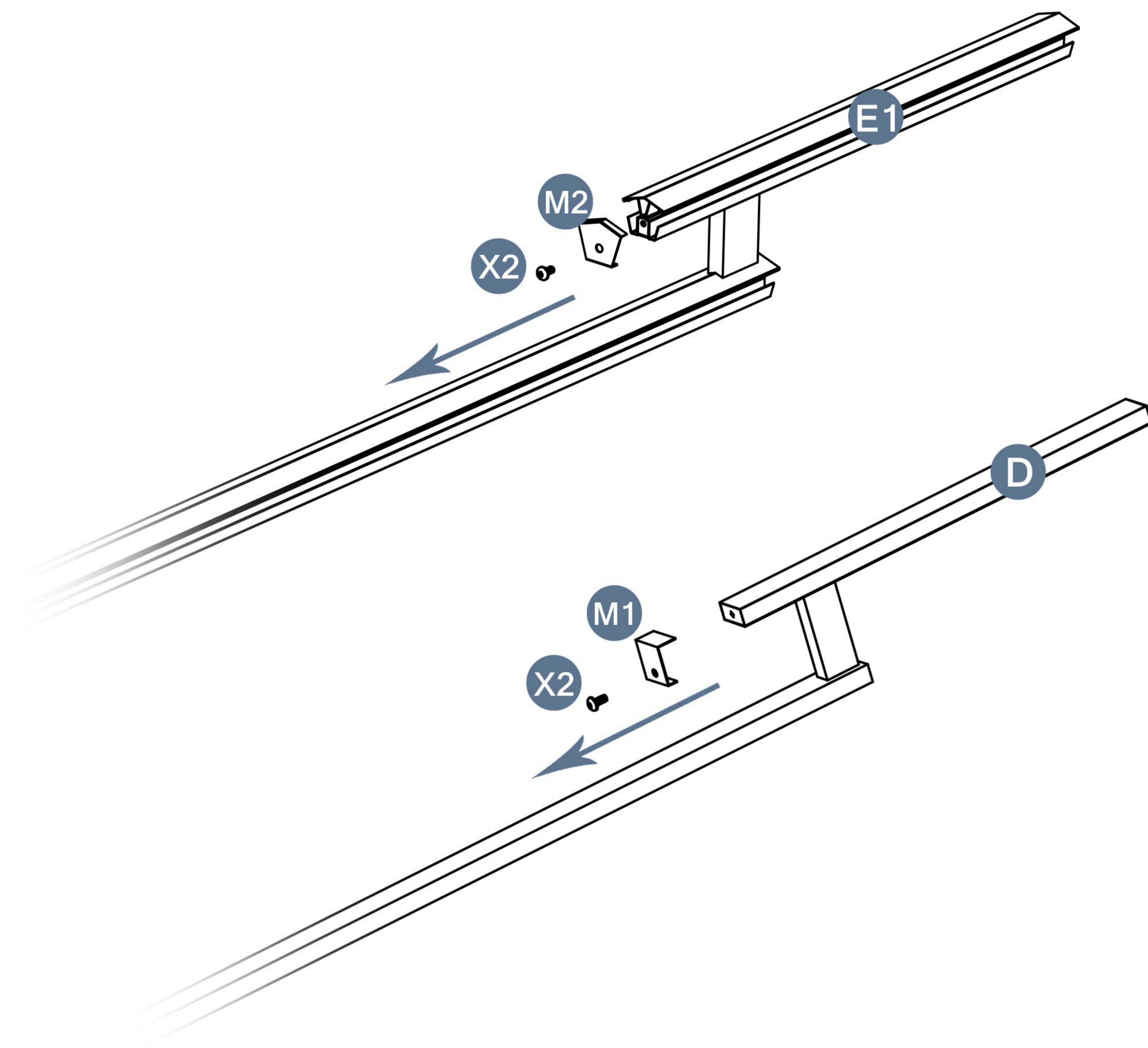
!!! Note: Both the X2 and X4 screws are installed from the bottom up



Please take care of the screws and contact the after-sales service if there is any problem with the installation or parts.

To prevent the loss of M2 and M1  
we mounted the M2 and M1 on top of the E1 and D ahead of time

Before installing step 13, please remove the 4 M2's  
and 4 M1's from the part E1 and D. (Reinstall them during step 15) .

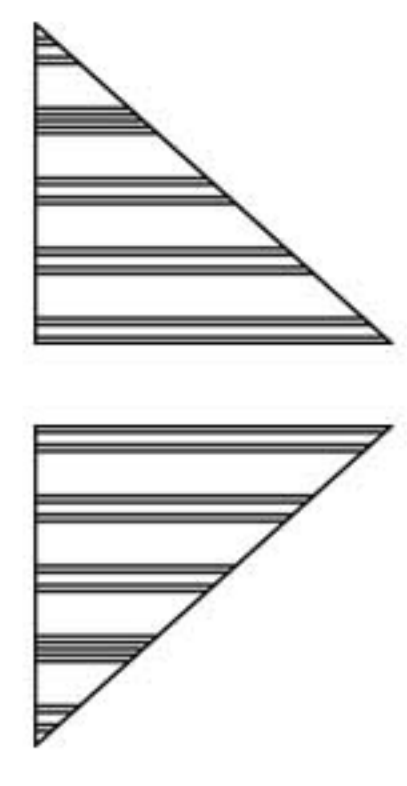


Please take care of the screws and contact the after-sales service if there is any problem with the installation or parts.

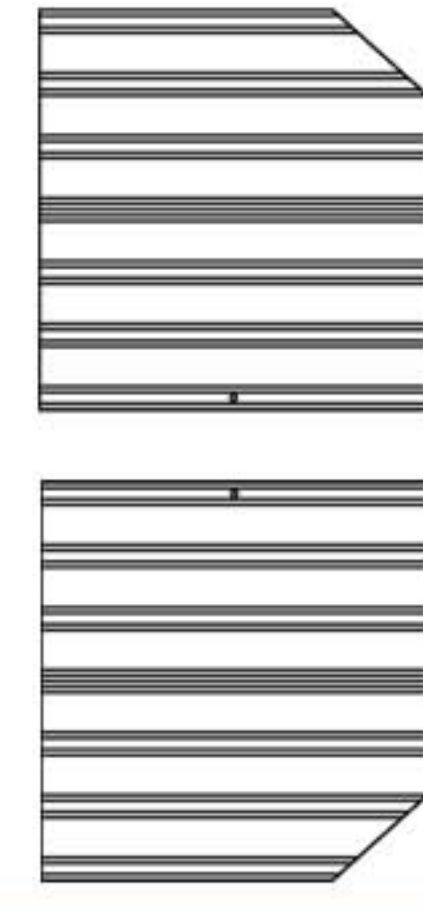
➔ ✉ E-mail: [cs.helper01@gmail.com](mailto:cs.helper01@gmail.com)

# STEP 13

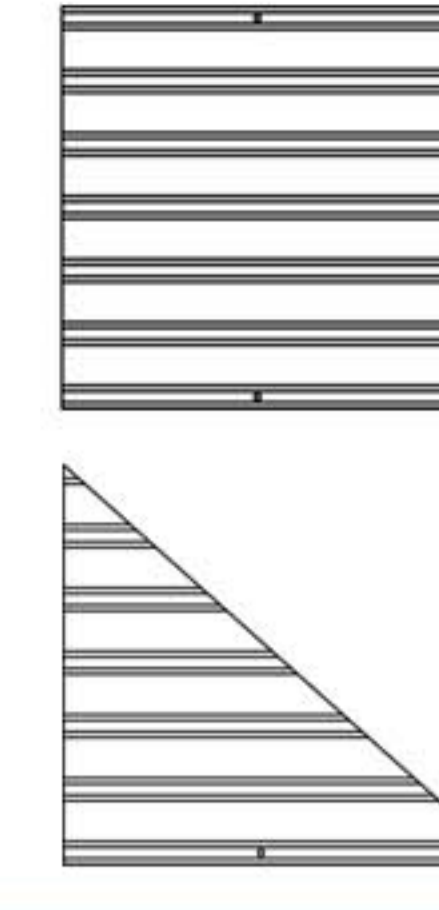
Parts required



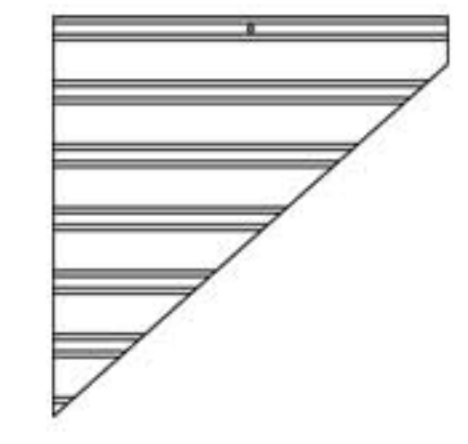
N5 2pcs



N6 2pcs



Y 2pcs

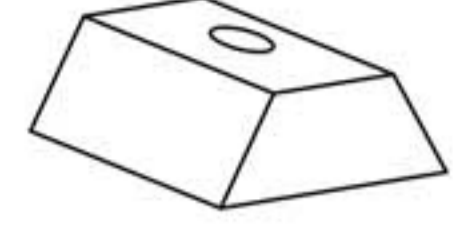


V4 2pcs

Y5 2pcs

Y6 2pcs

O4 2pcs

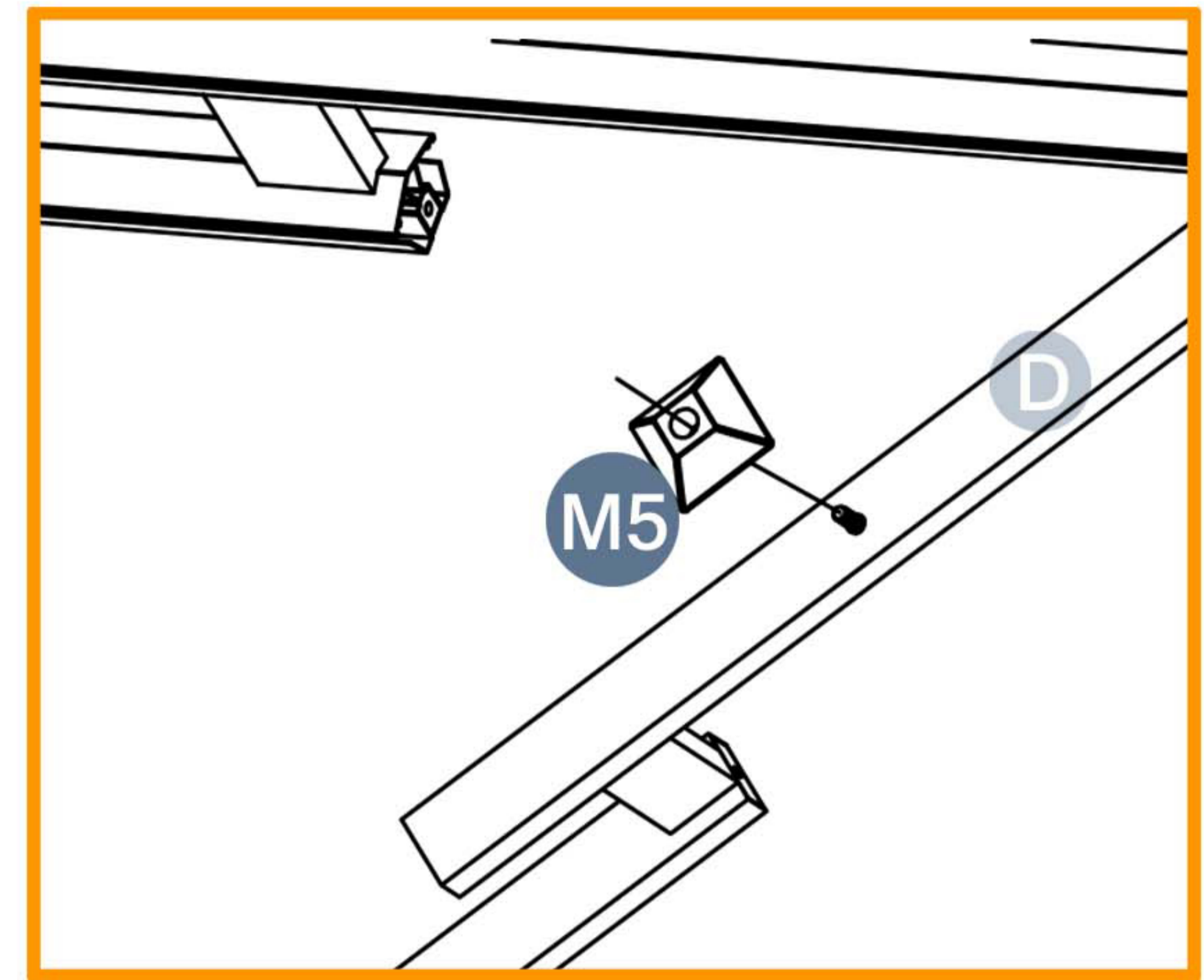
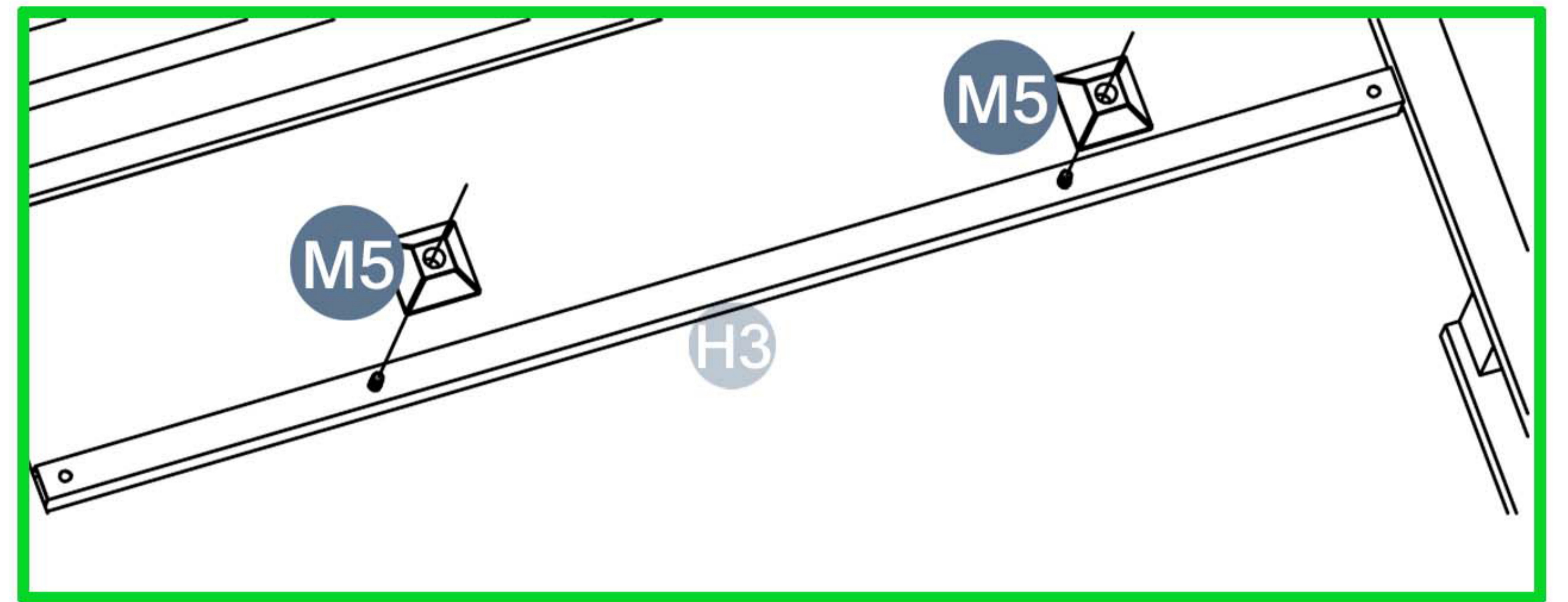
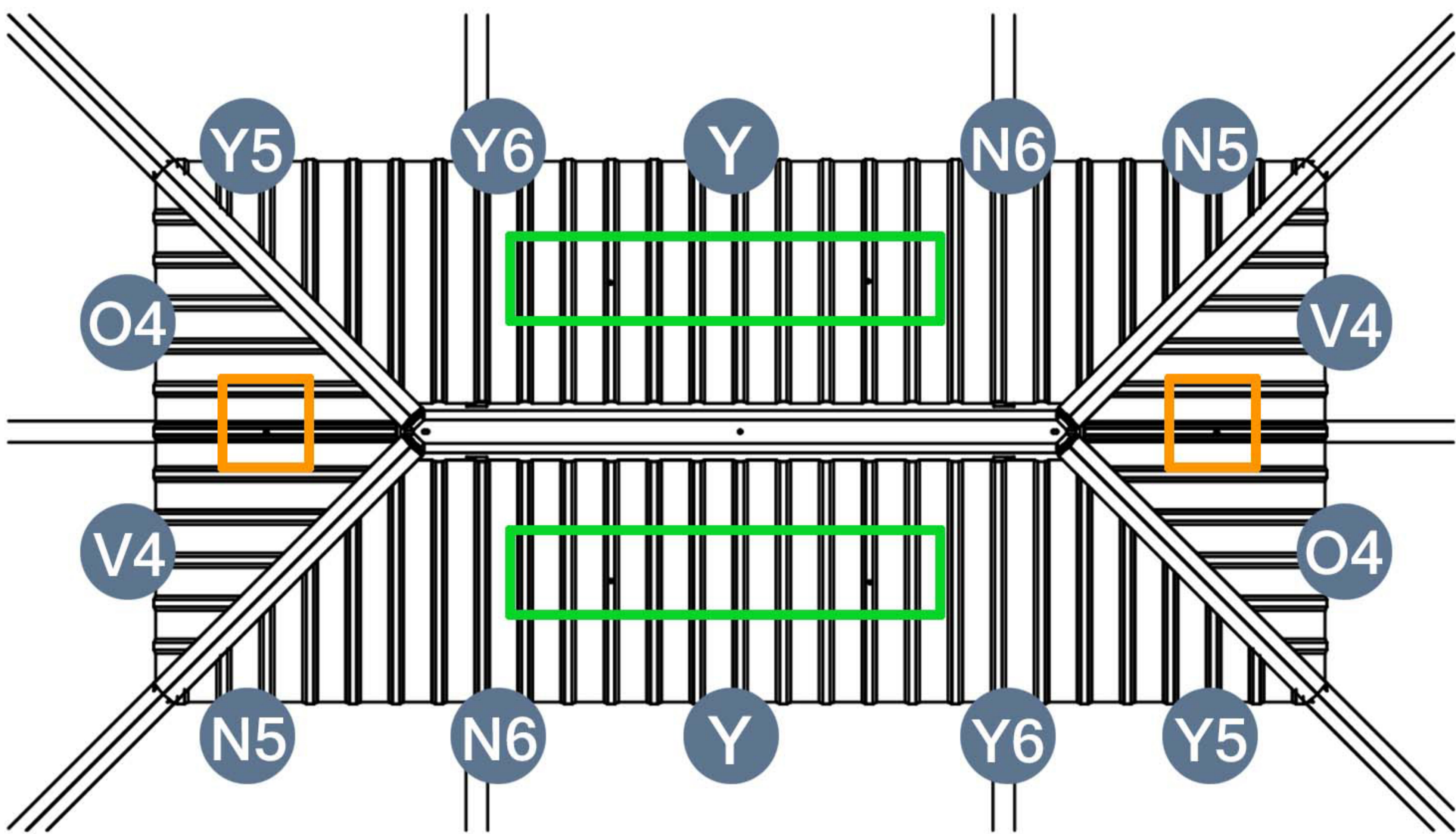


M5 6pcs

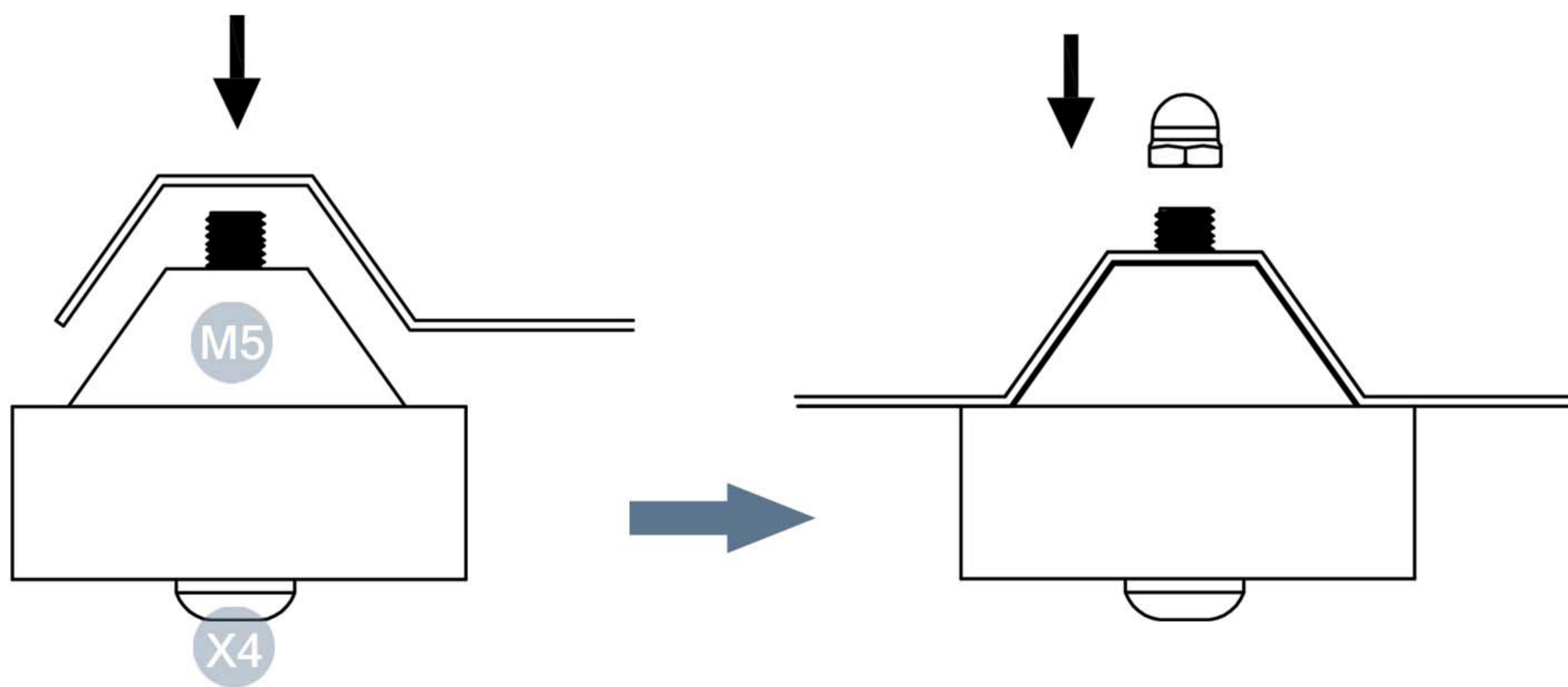
1 → 2



In order to facilitate the installation, it is recommended to leave one side and not install it for the time being. Wait for the installation in step 14 to complete before installing.

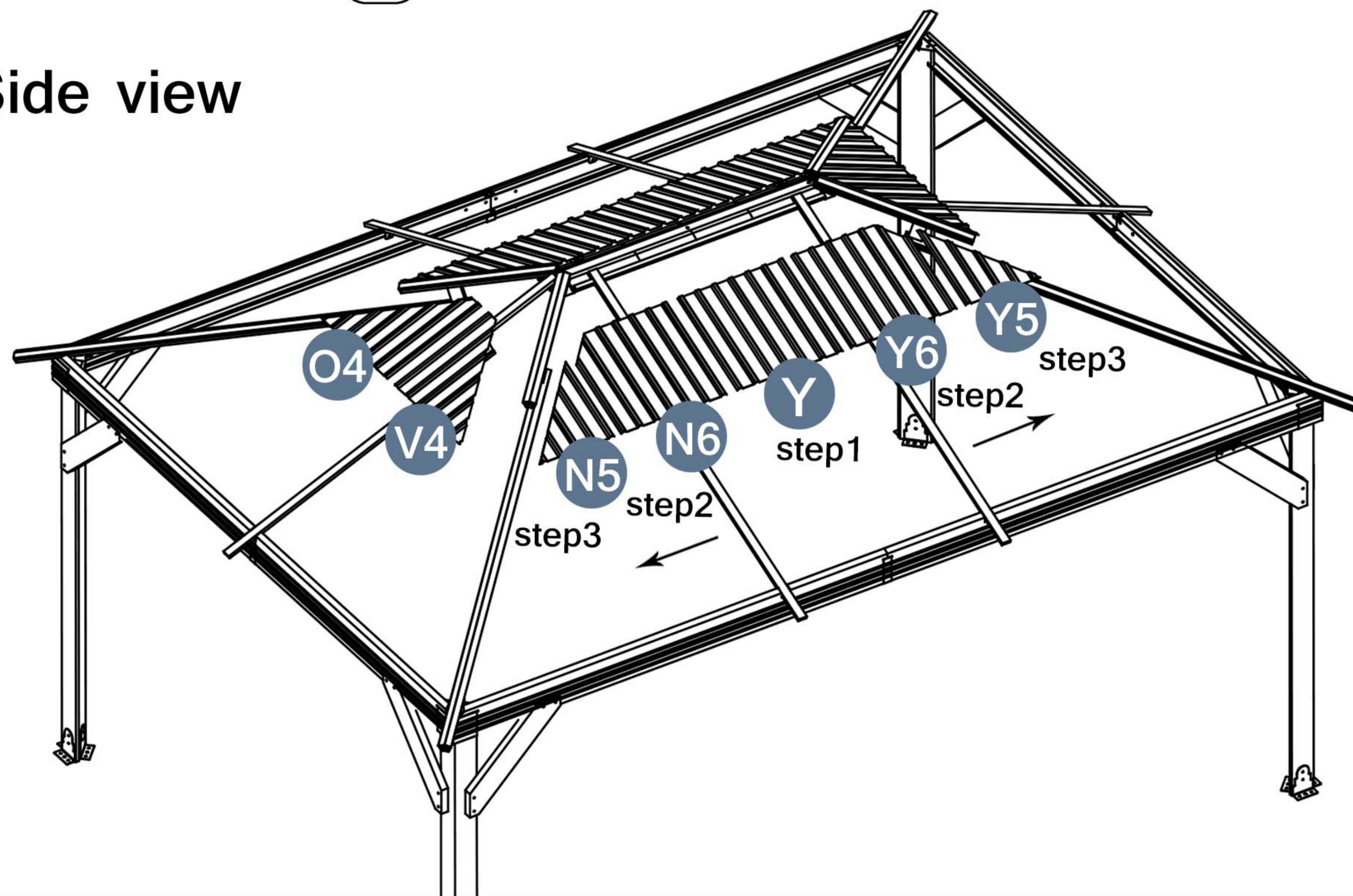


2



• Side view

1



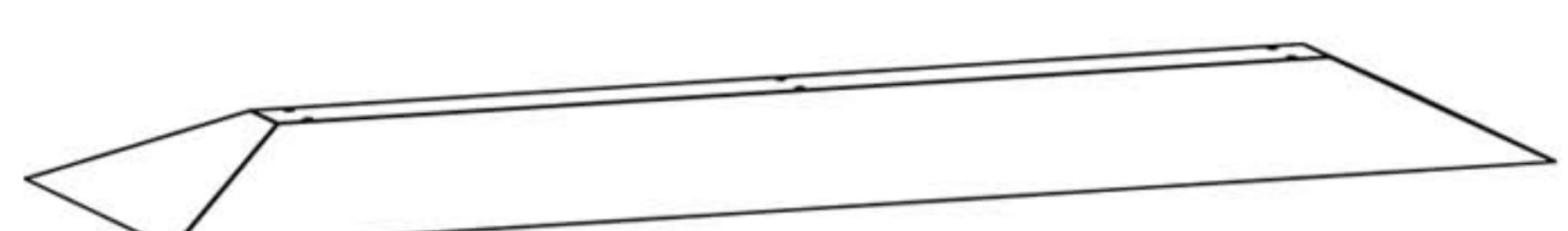
Please take care of the screws and contact the after-sales service if there is any problem with the installation or parts.



E-mail: [cs.helper01@gmail.com](mailto:cs.helper01@gmail.com)

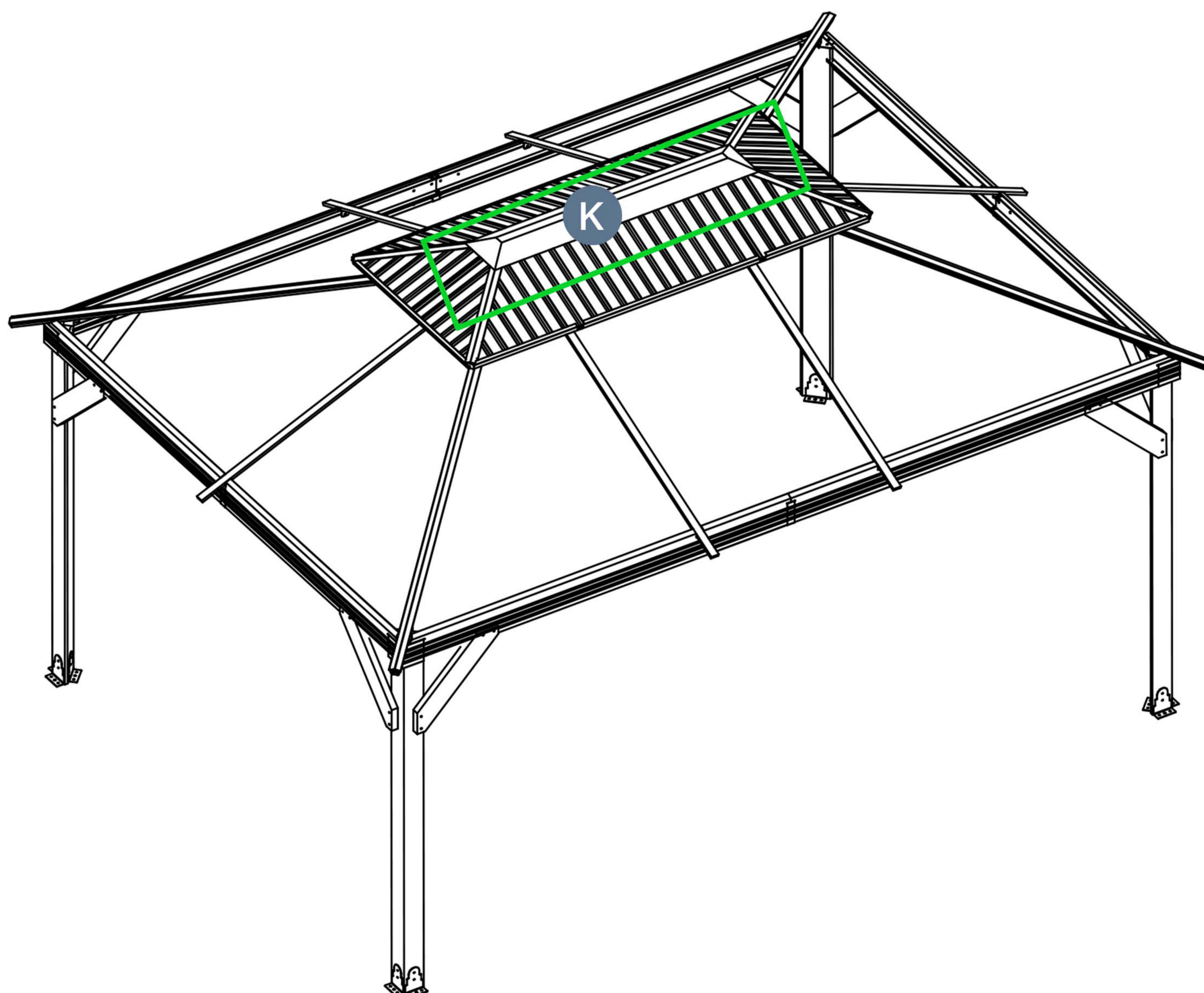
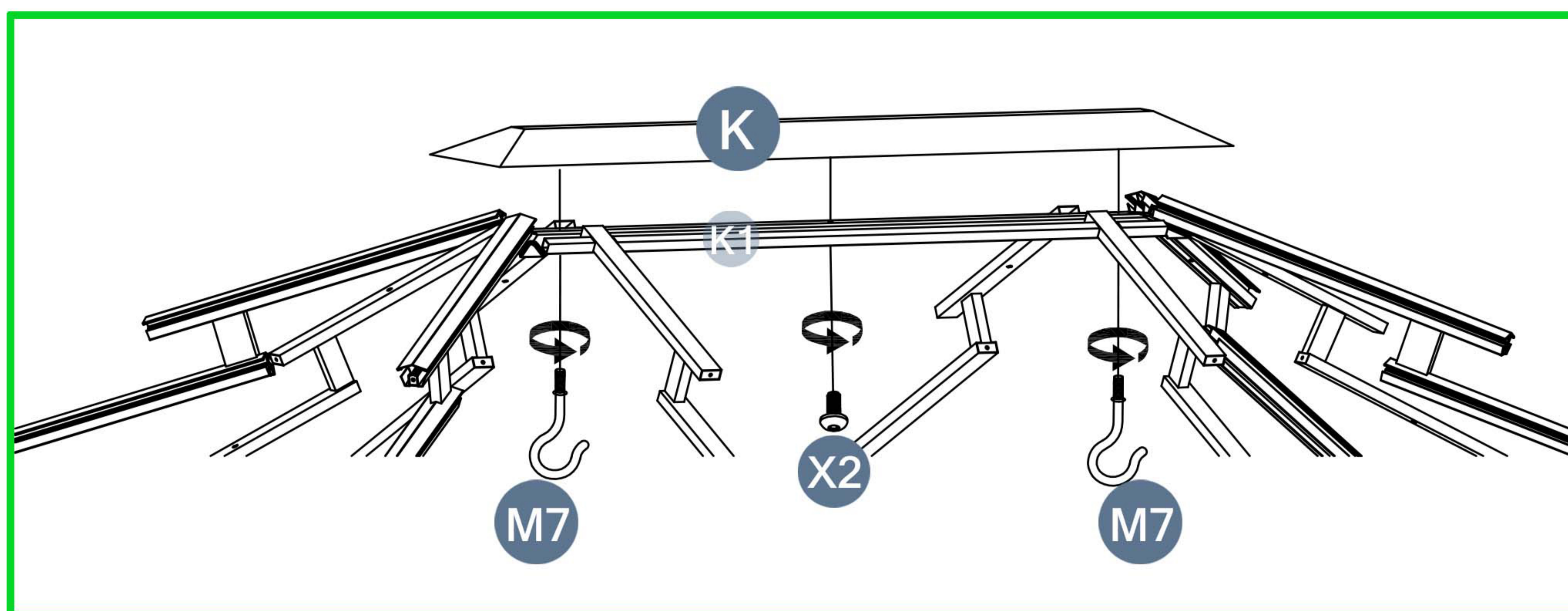
# STEP 14

Parts required

 **K** 1pcs

 **M7** 2pcs

 **X2** 1pcs



Please take care of the screws and contact the after-sales service if there is any problem with the installation or parts.

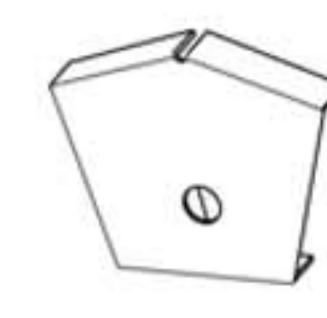
➔  E-mail: [cs.helper01@gmail.com](mailto:cs.helper01@gmail.com)

# STEP 15

Parts required



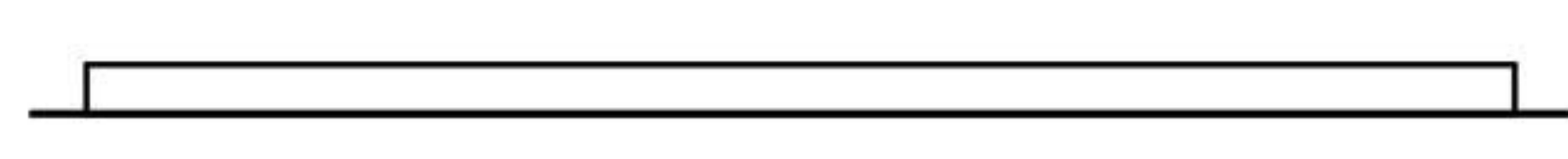
X2 10pcs



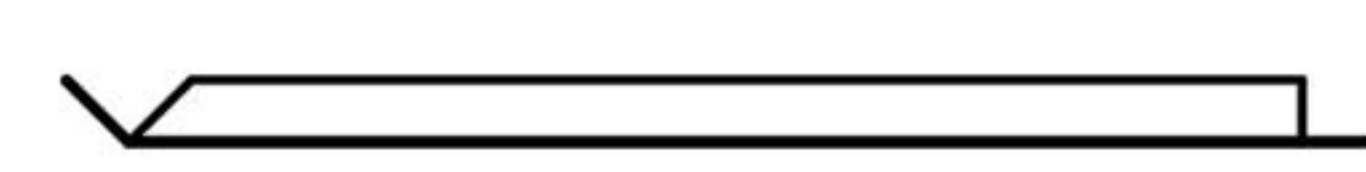
M2 4pcs



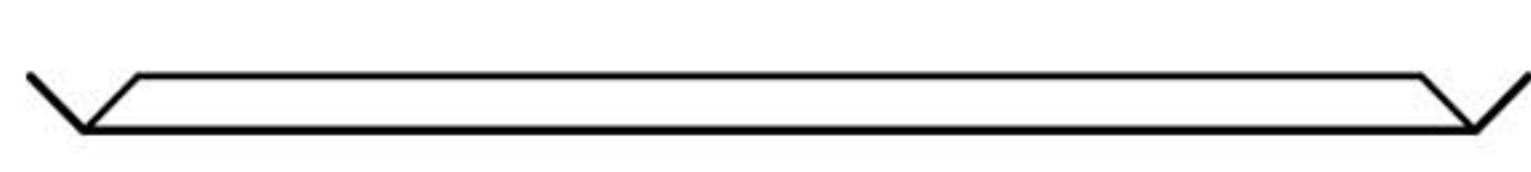
M1 4pcs



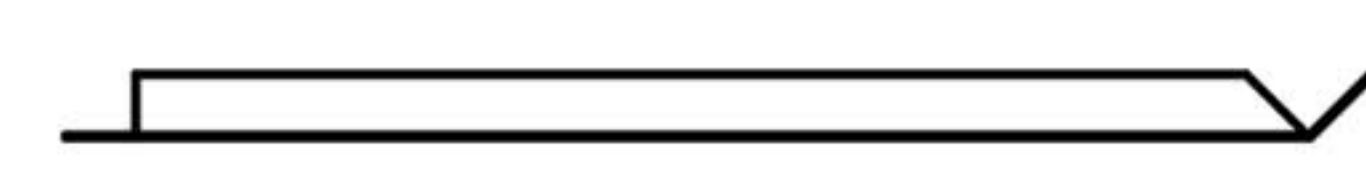
G 2pcs



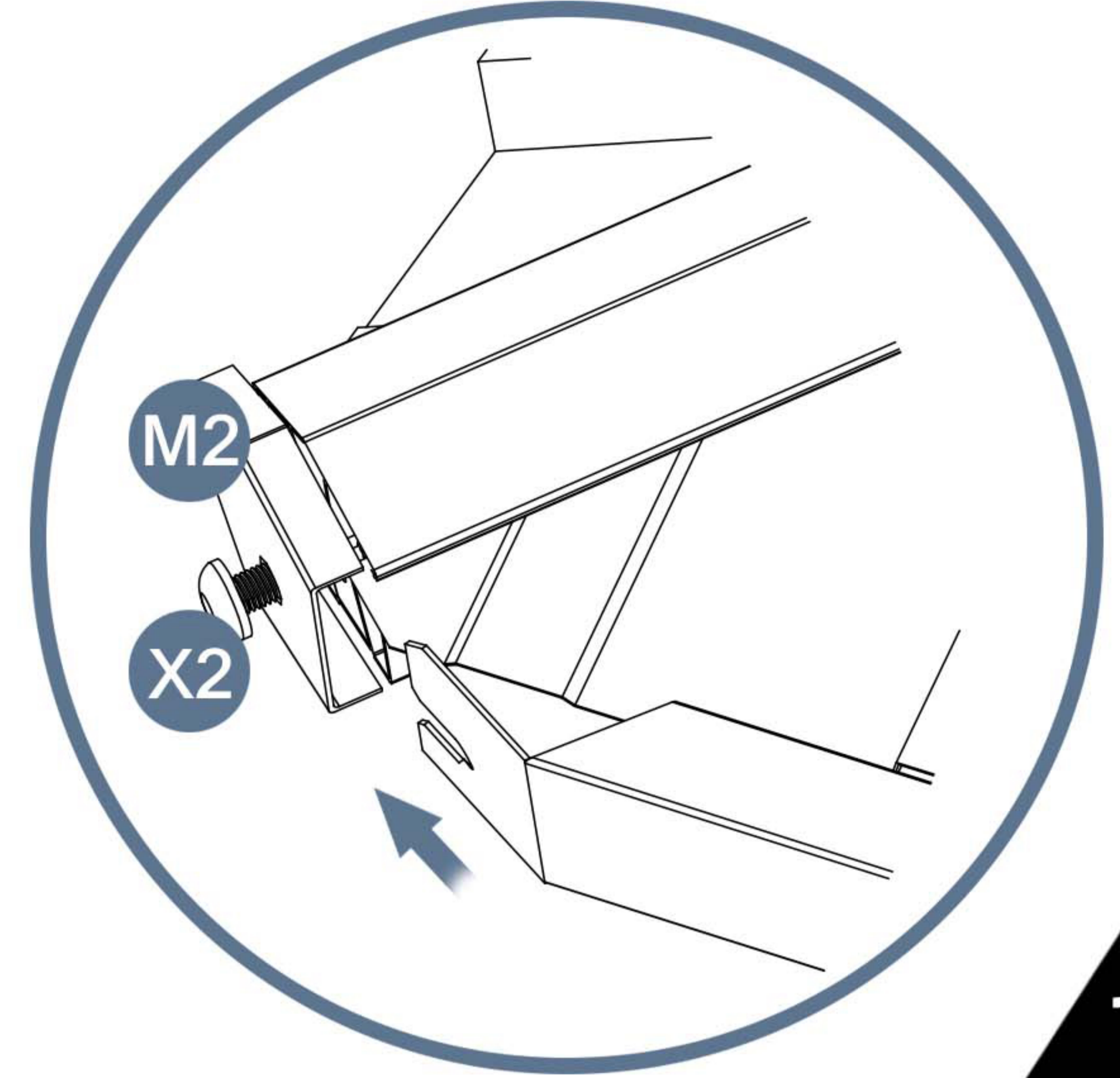
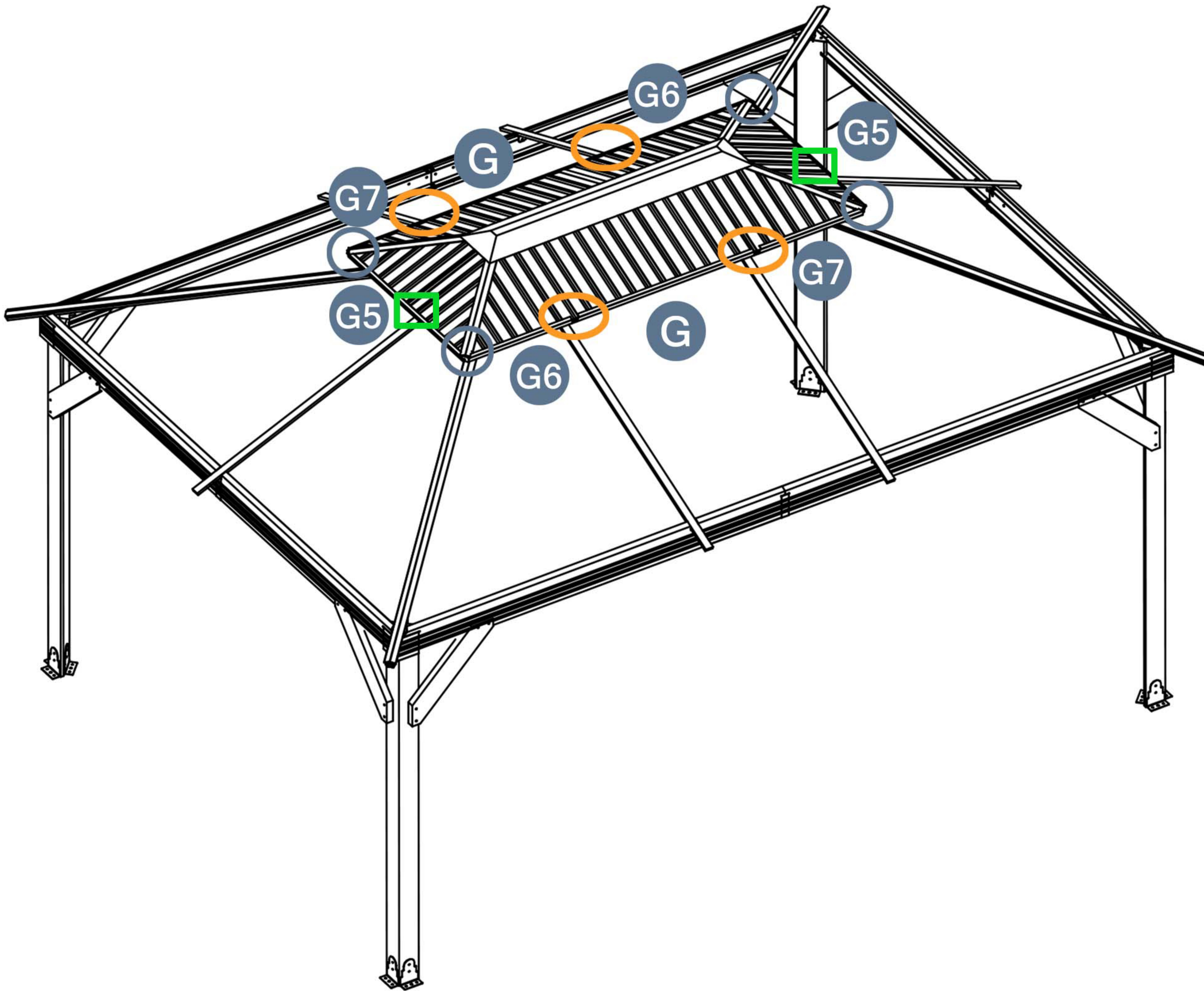
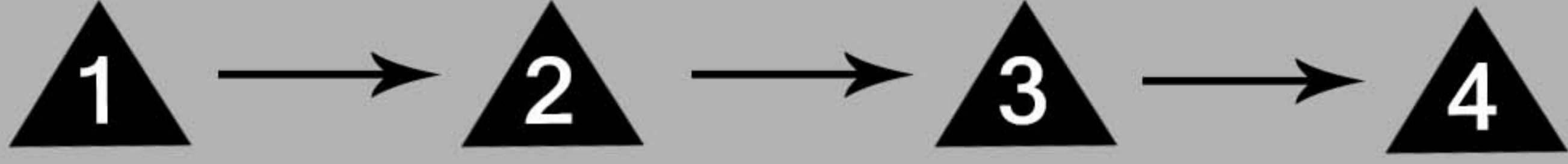
G6 2pcs



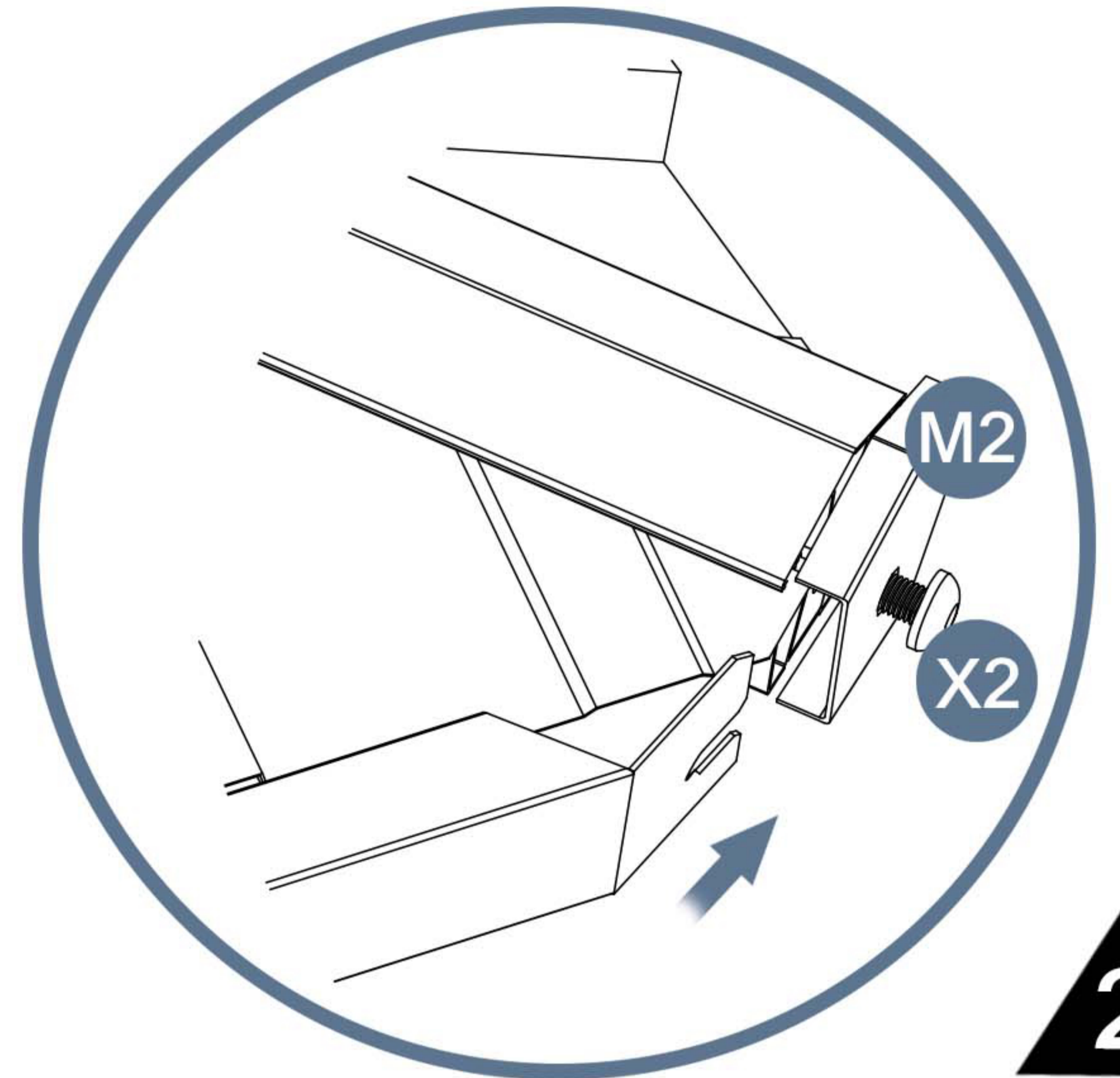
G5 2pcs



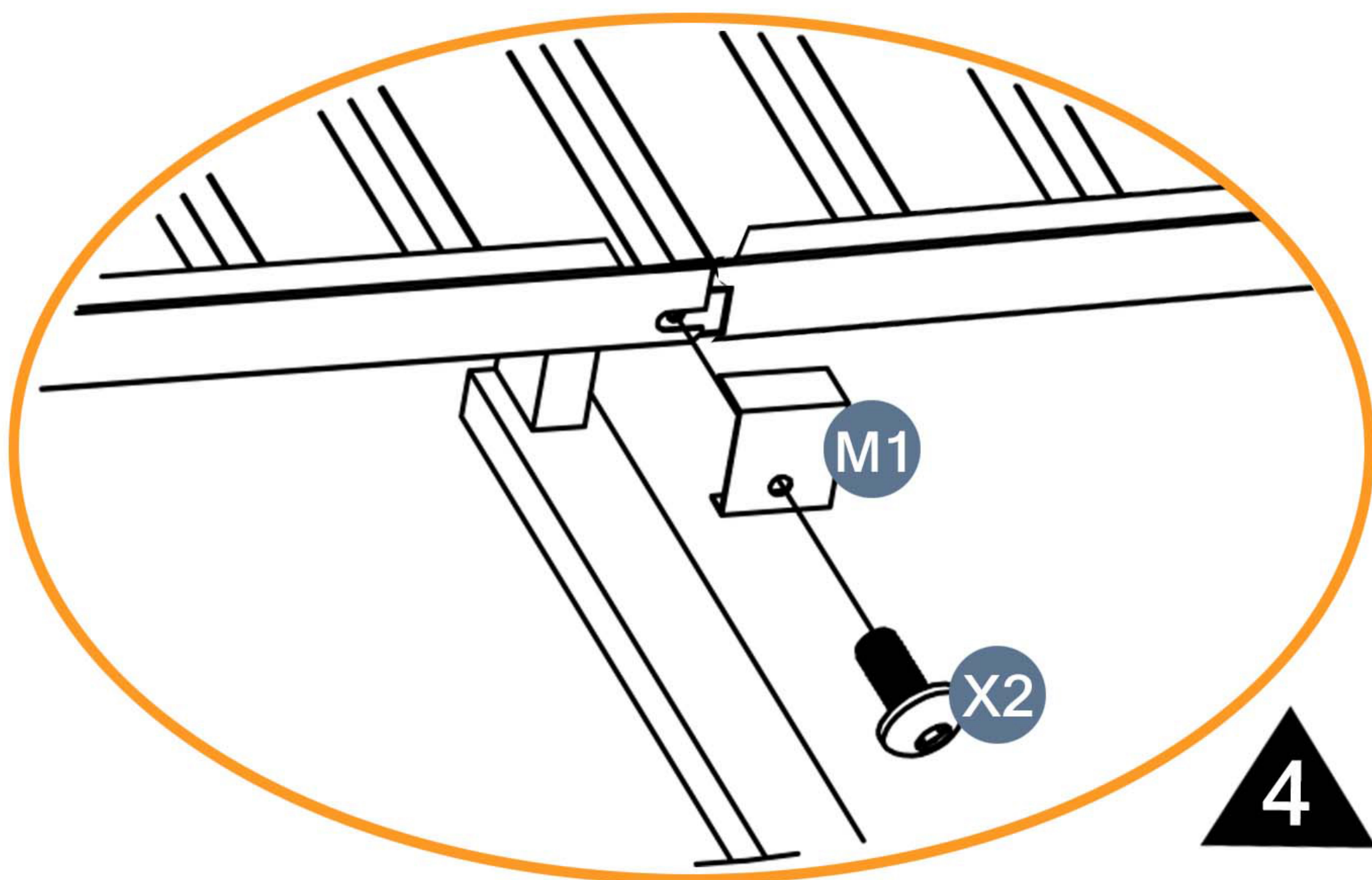
G7 2pcs



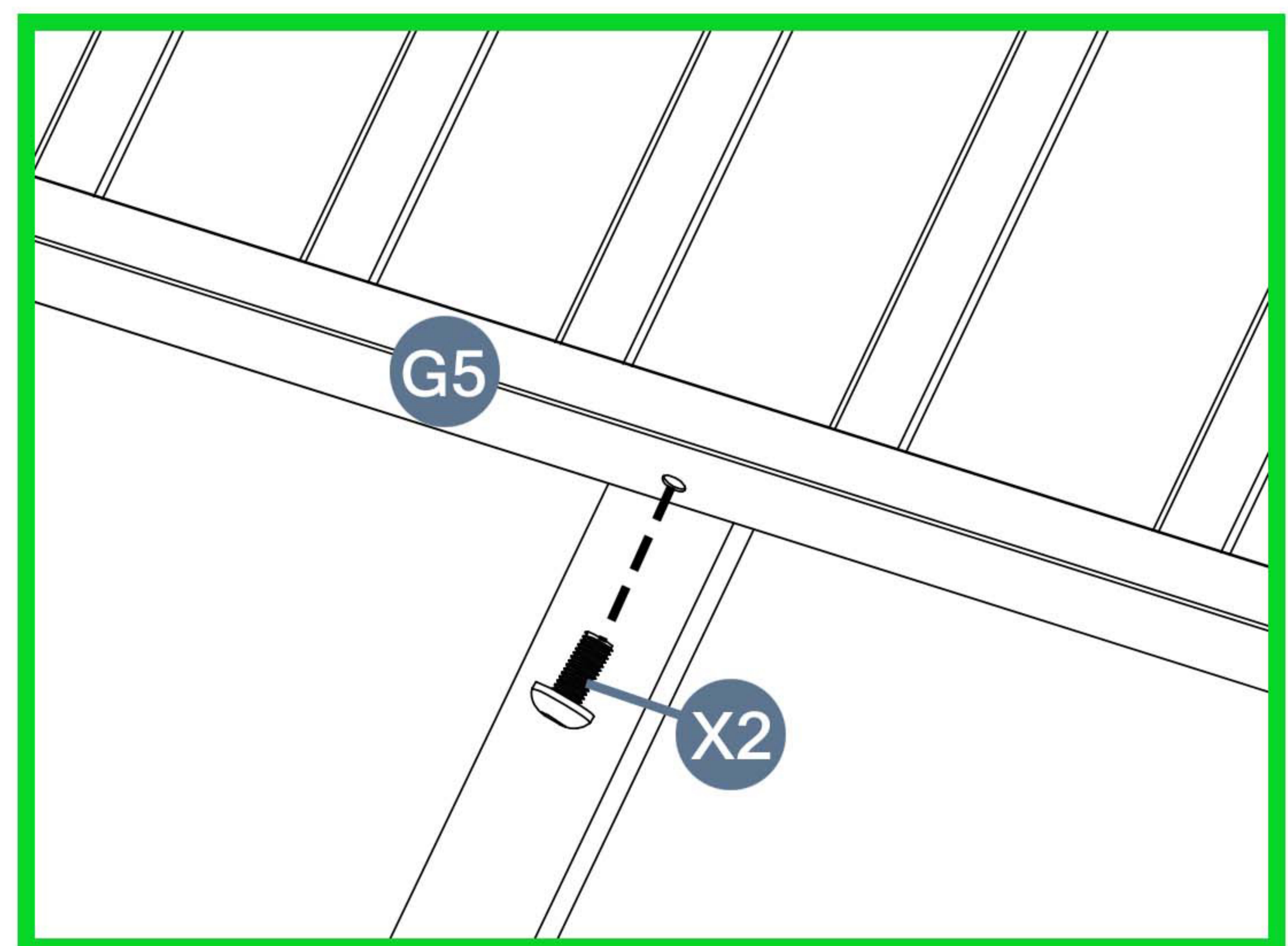
1



2



4

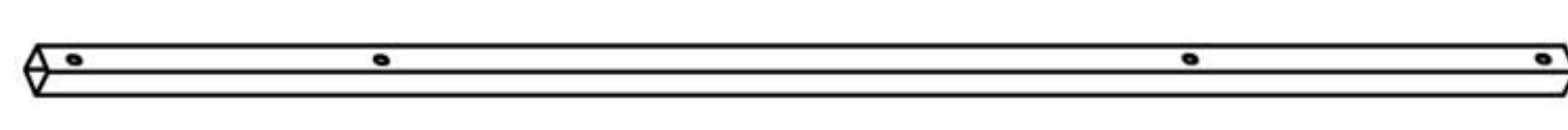
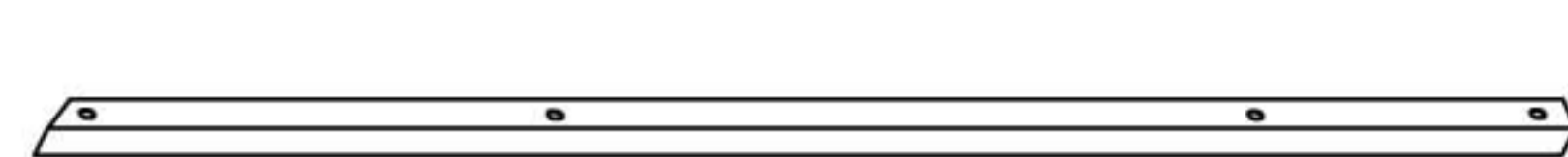
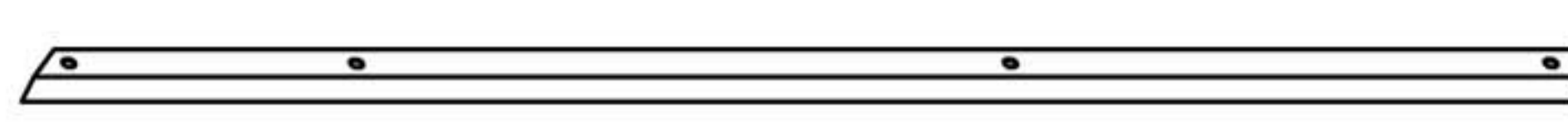
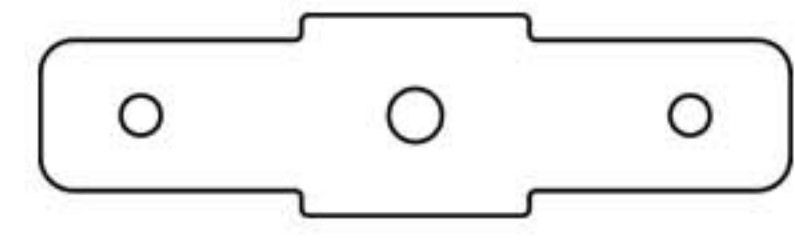
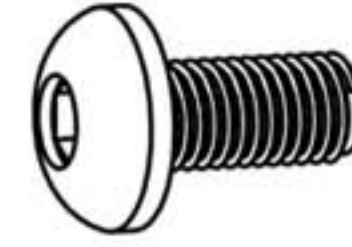


3

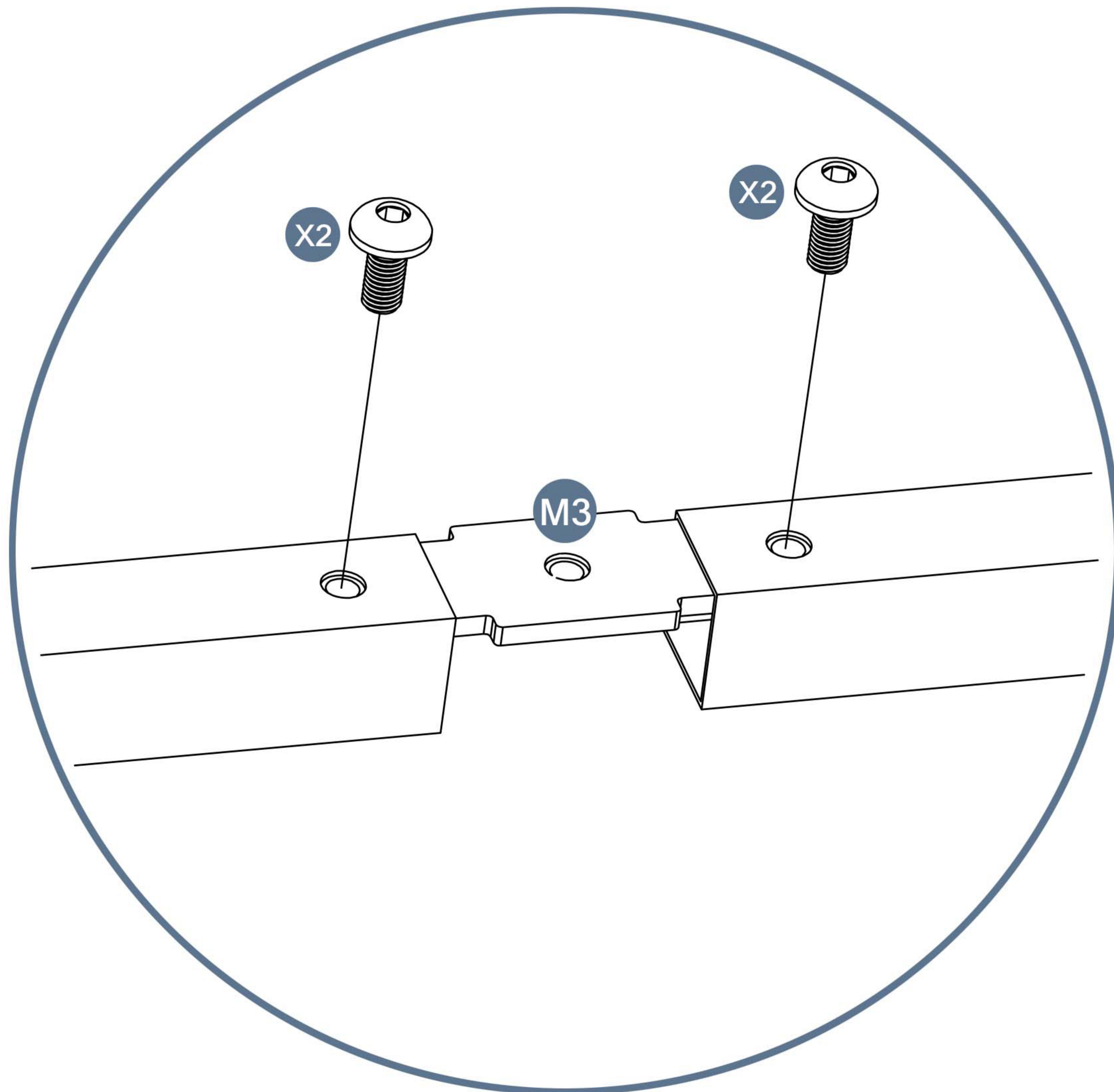
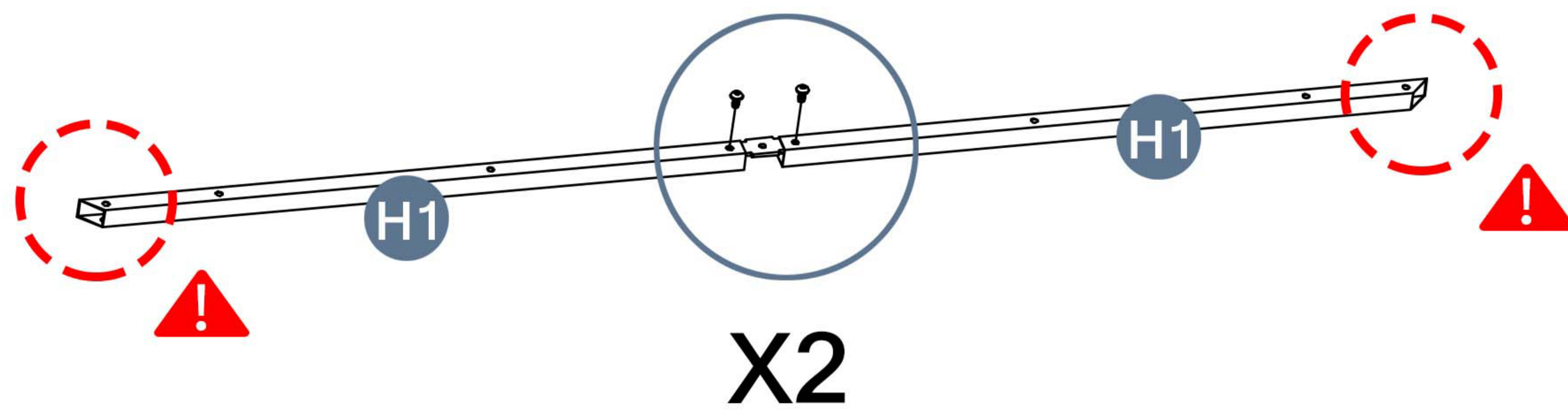
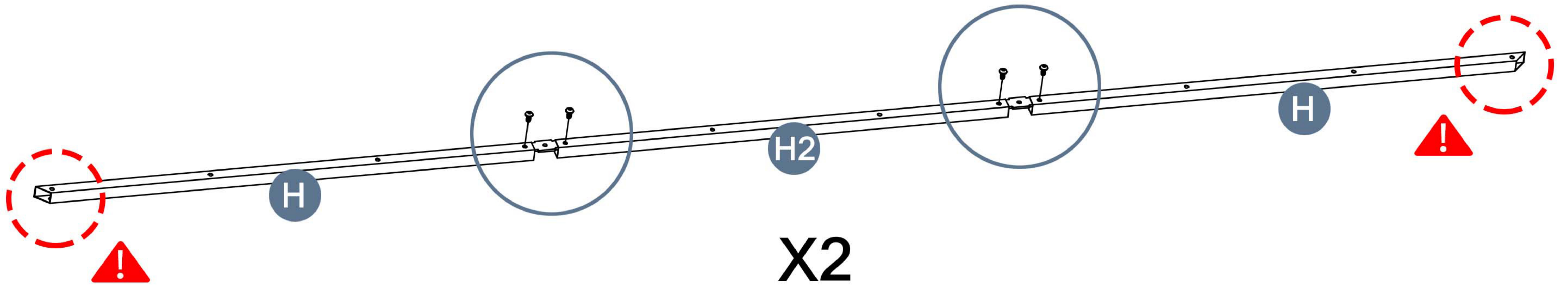
Please take care of the screws and contact the after-sales service if there is any problem with the installation or parts.

# STEP 16

Parts required

	H2	2pcs
	H	4pcs
	H1	4pcs
	M3	6pcs
	X2	12pcs

⚠ Part H/H1/H2 should be placed as shown in the picture.

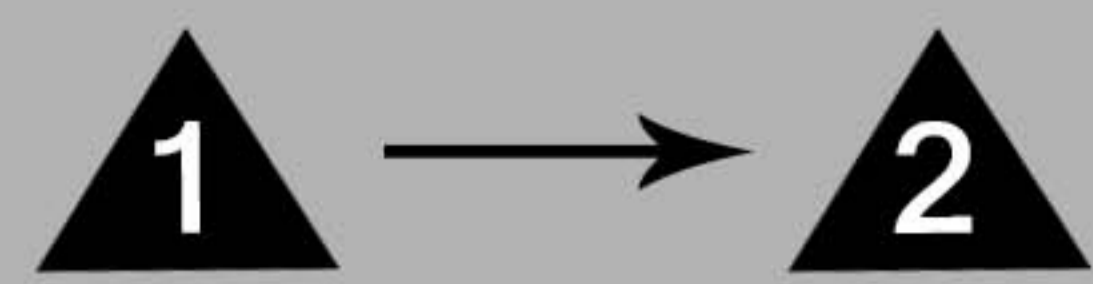
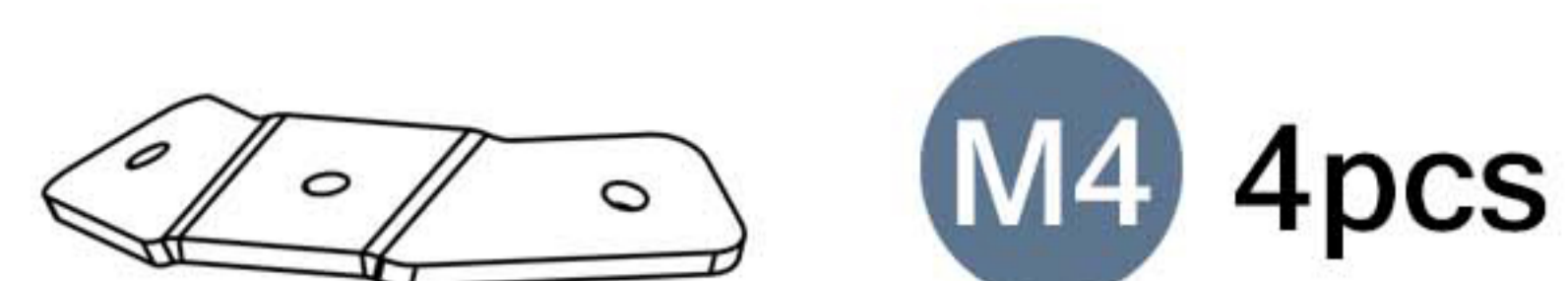


Please take care of the screws and contact the after-sales service if there is any problem with the installation or parts.

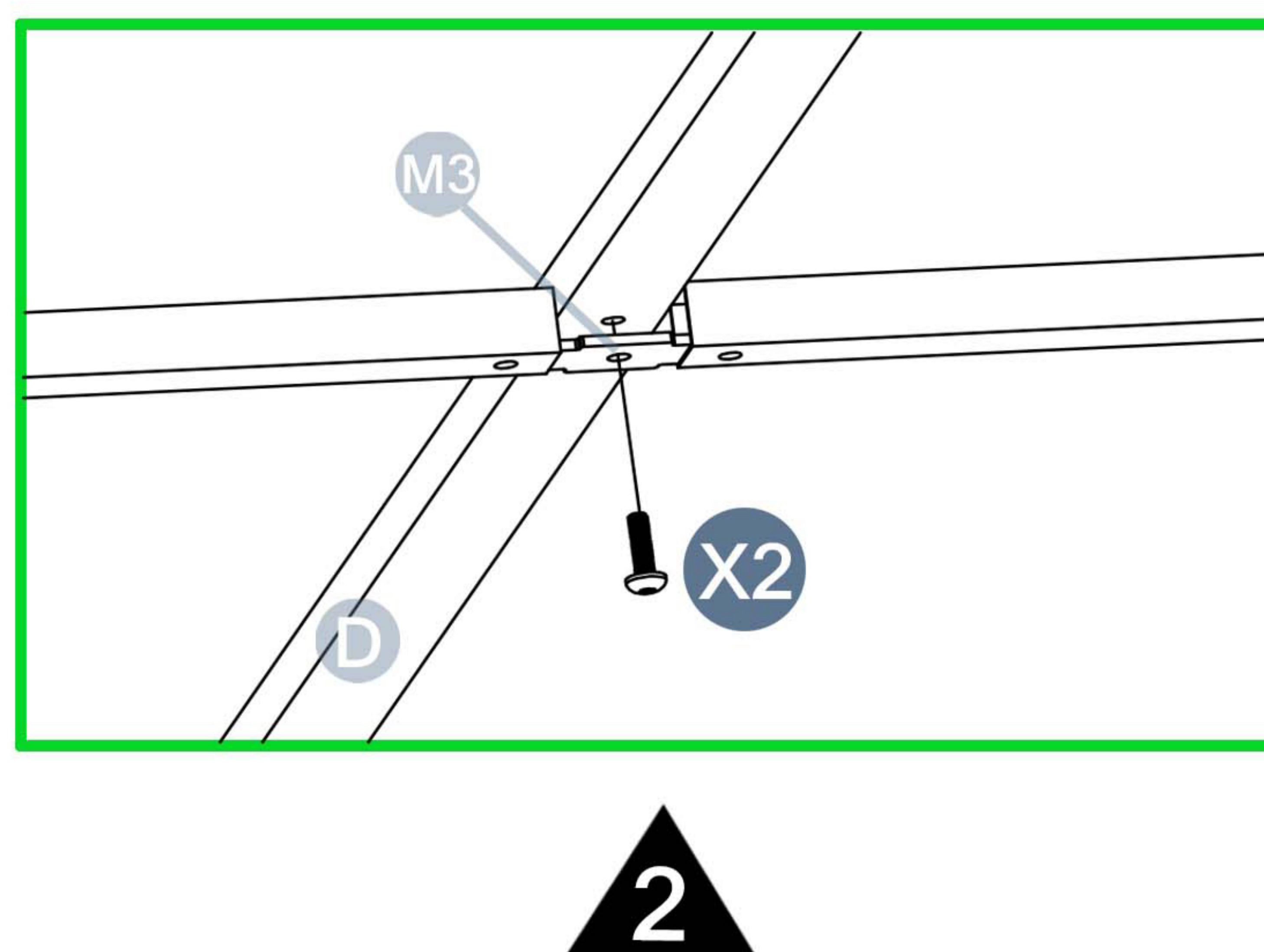
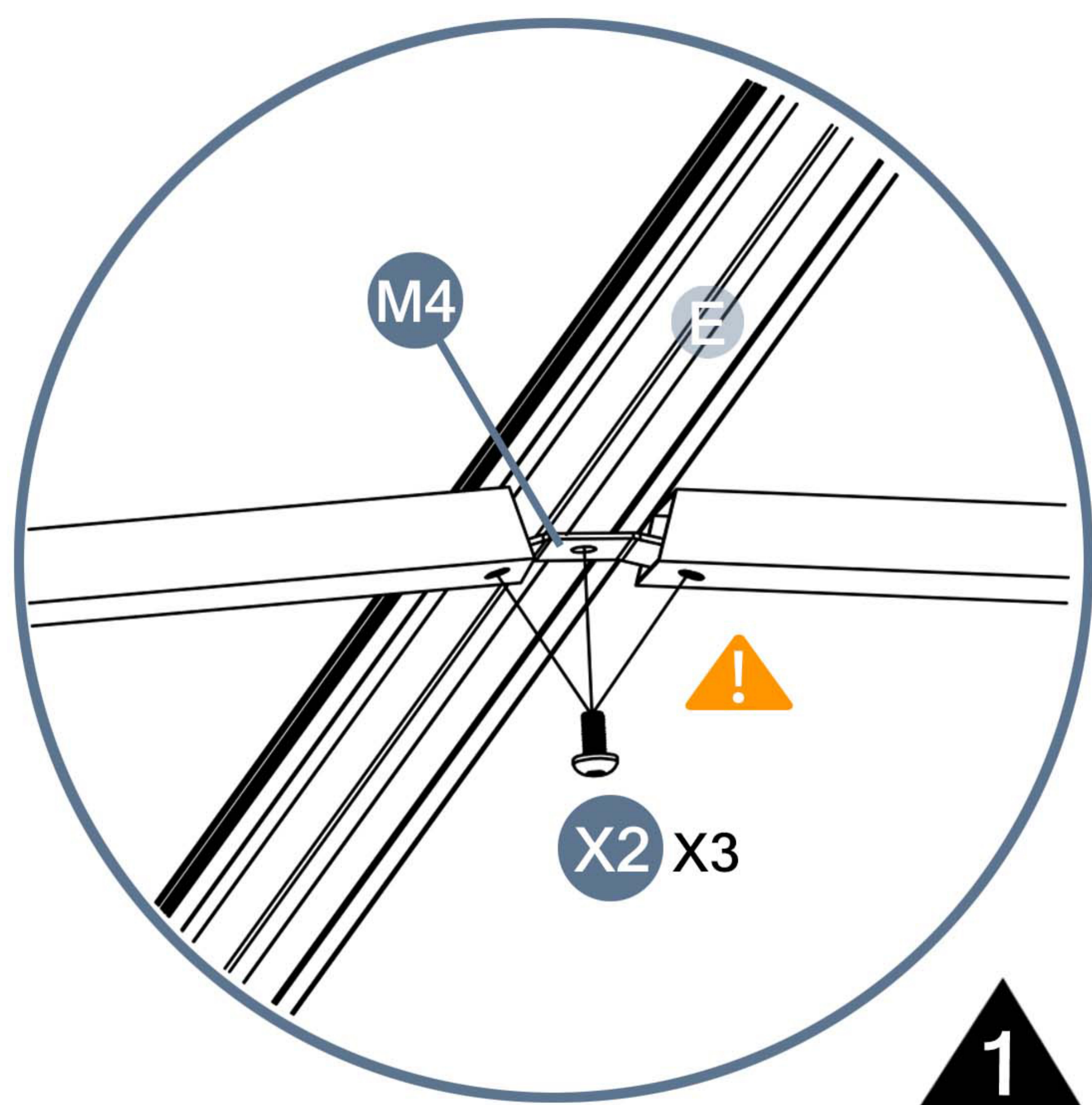
➔ ✉ E-mail: [cs.helper01@gmail.com](mailto:cs.helper01@gmail.com)


# STEP 17

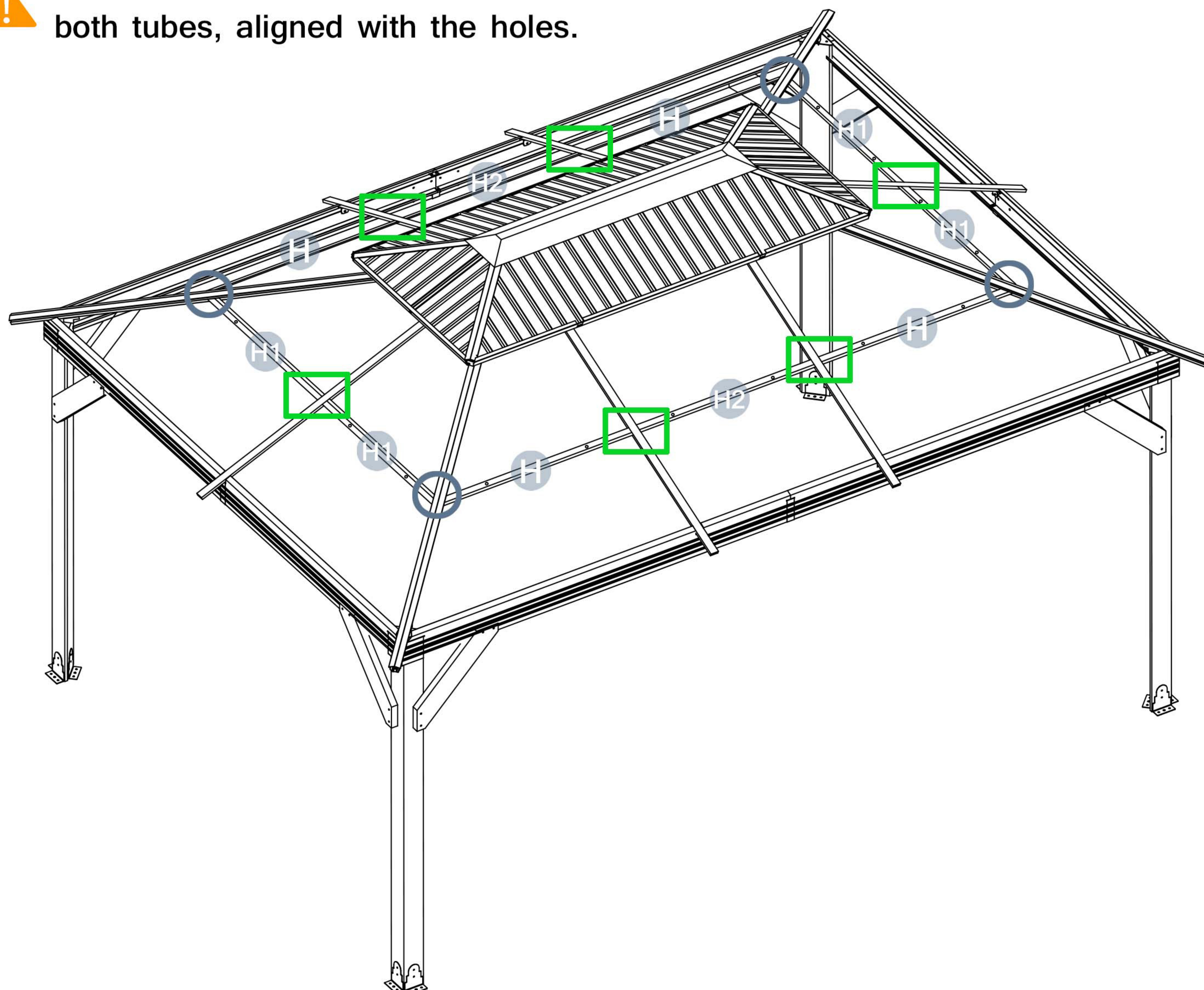
Parts required



To better align the screws for practical situations, do not fully tighten screws initially.



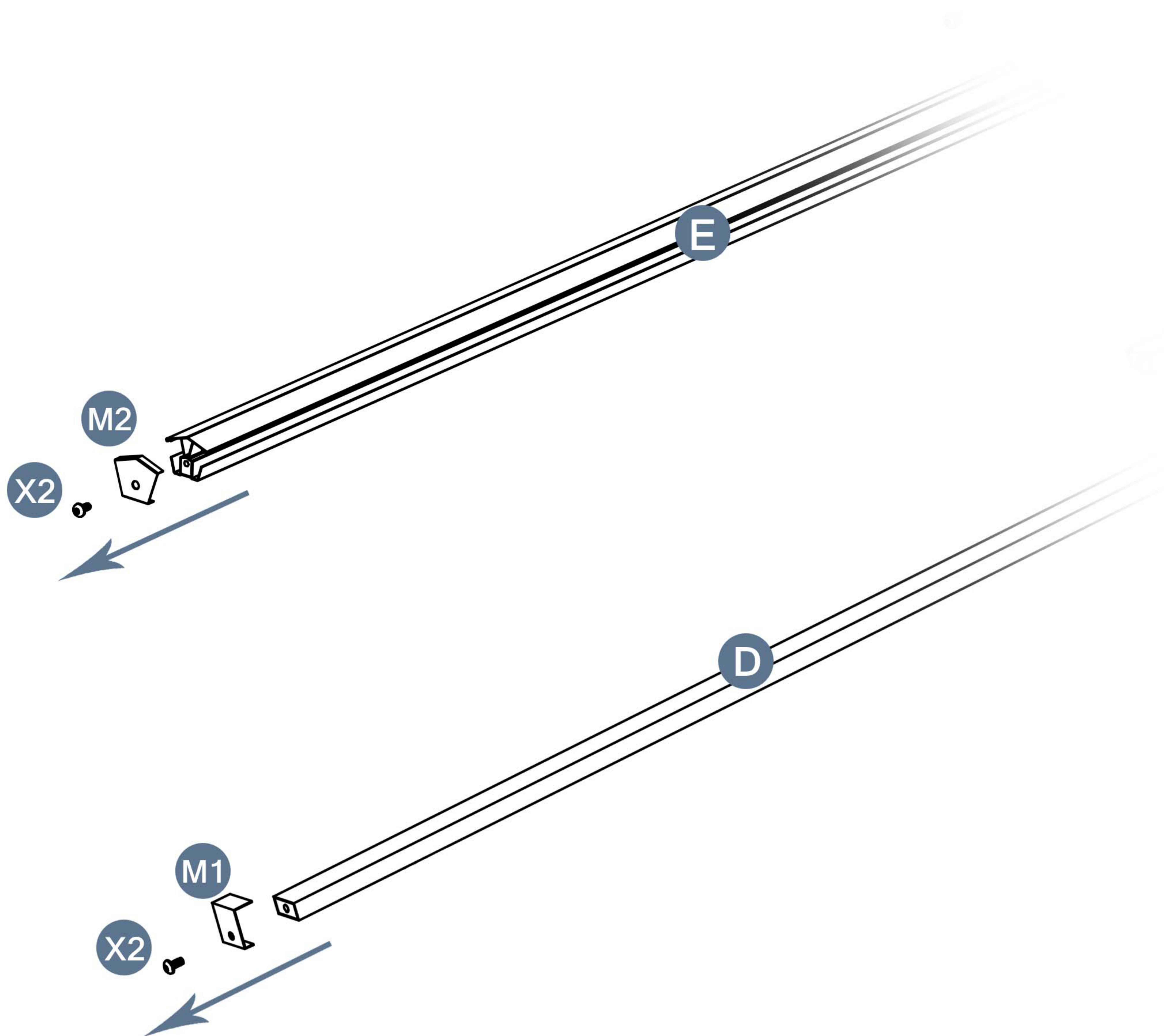
 M4 needs to be inserted into both tubes, aligned with the holes.



Please take care of the screws and contact the after-sales service if there is any problem with the installation or parts.

To prevent the loss of M2 and M1  
we mounted the M2 and M1 on top of the E and D ahead of time

Before installing step 18, please remove the 4 M2's  
and 6 M1's from the part E and D. (Reinstall them during step 20) .

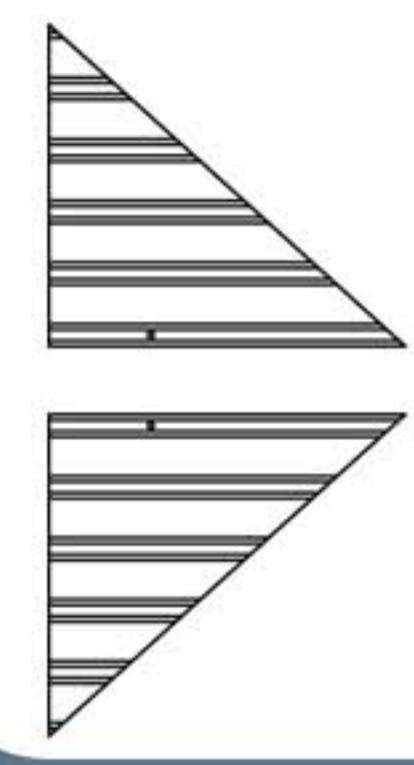


Please take care of the screws and contact the after-sales service if there is any problem with the installation or parts.

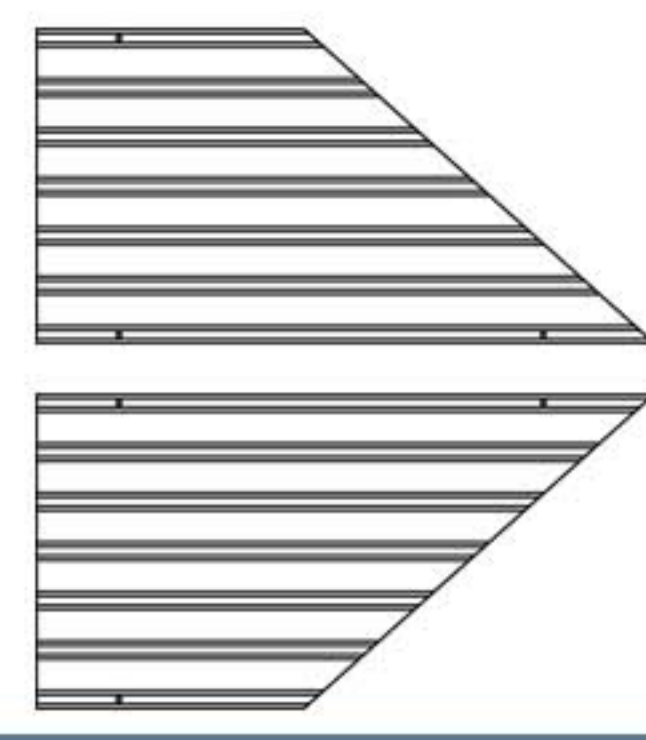
➔ ✉ E-mail: [cs.helper01@gmail.com](mailto:cs.helper01@gmail.com)

# STEP 18

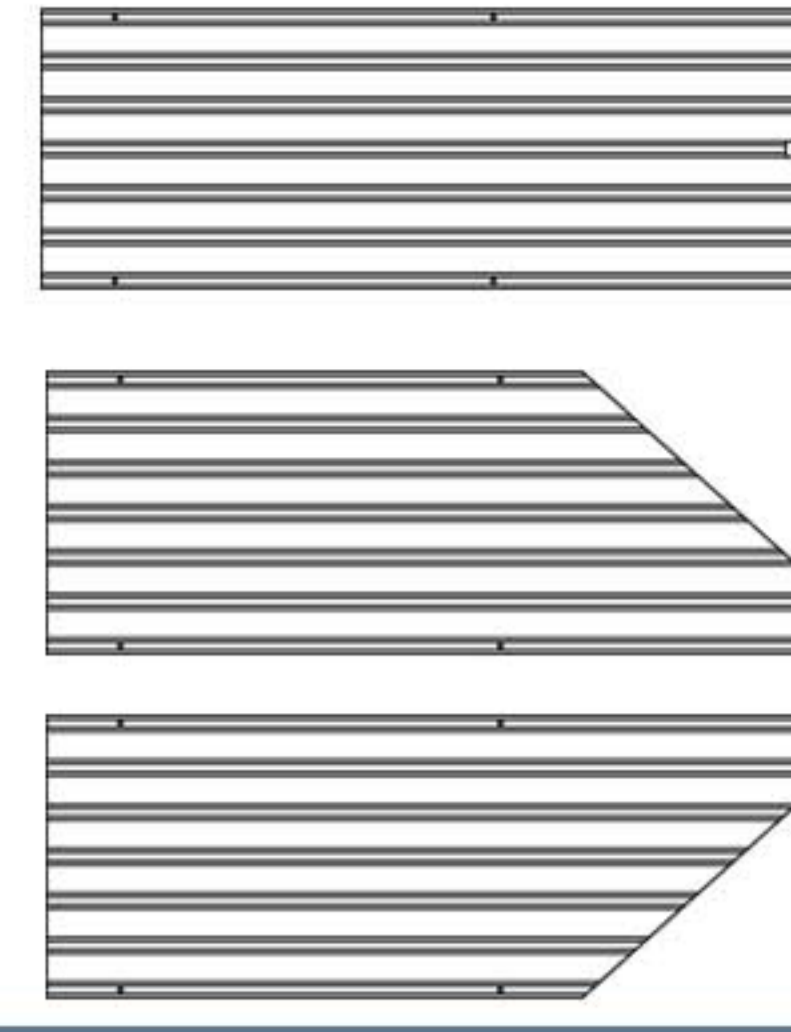
Parts required



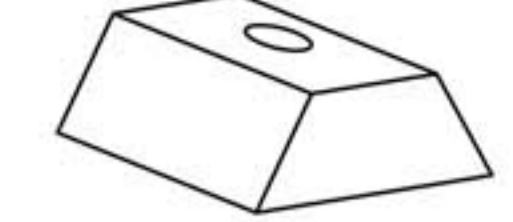
O1 2pcs  
V1 2pcs



O2 2pcs  
V2 2pcs



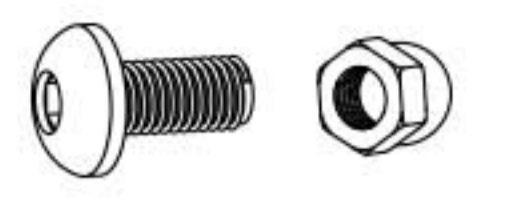
O 2pcs  
O3 2pcs  
V3 2pcs



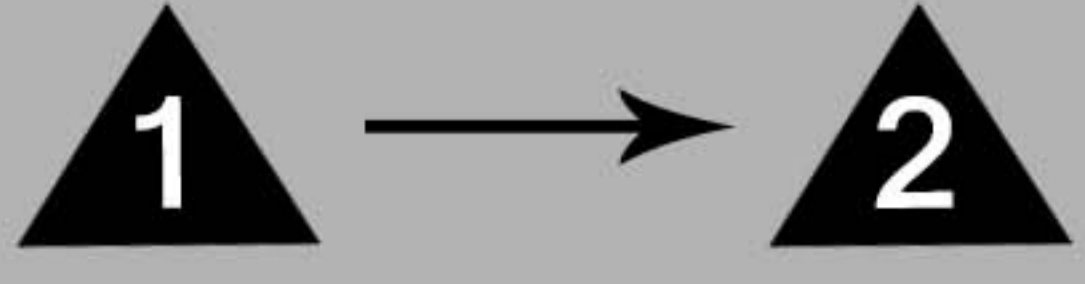
M5 20pcs



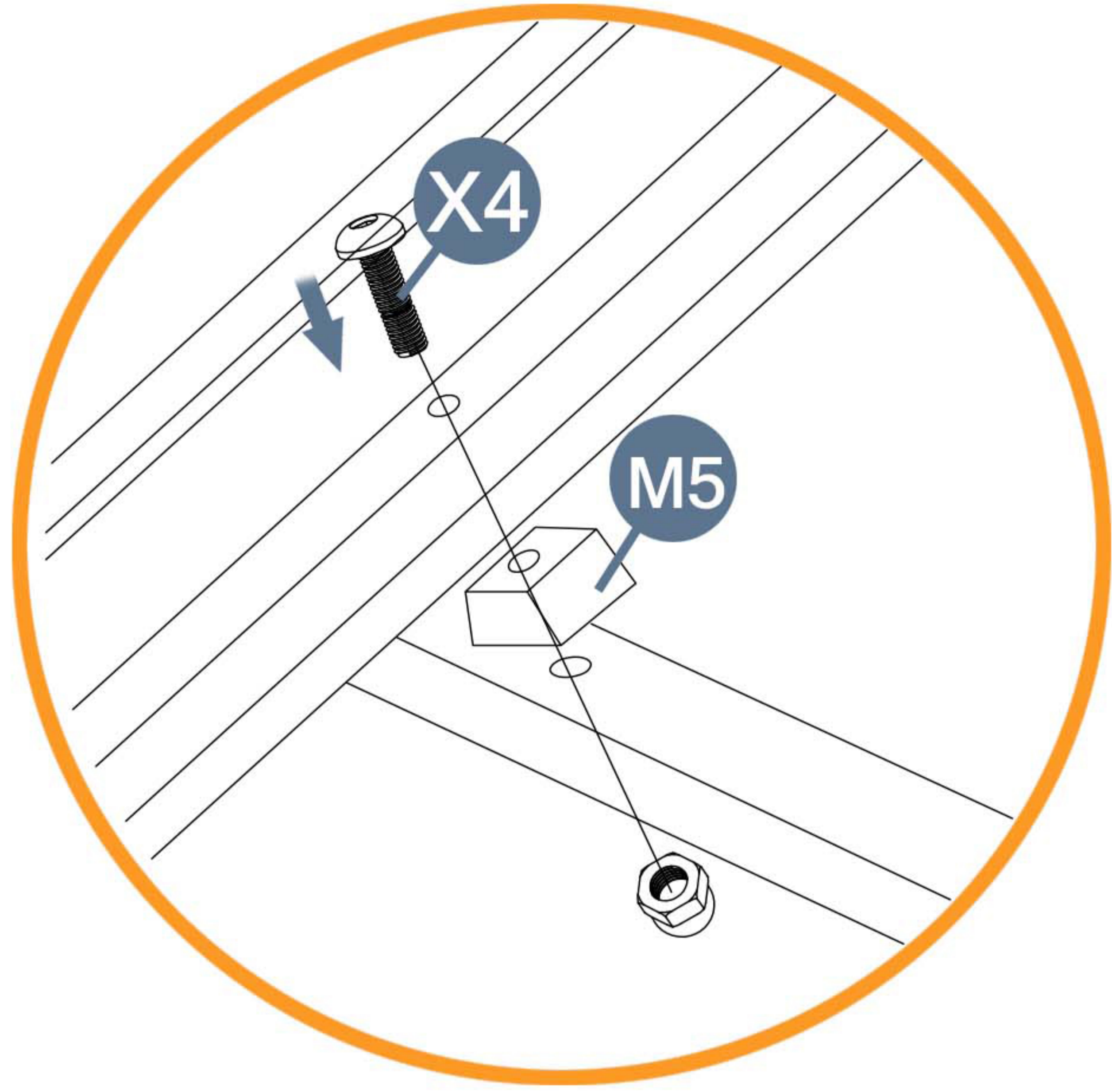
X4 8pcs



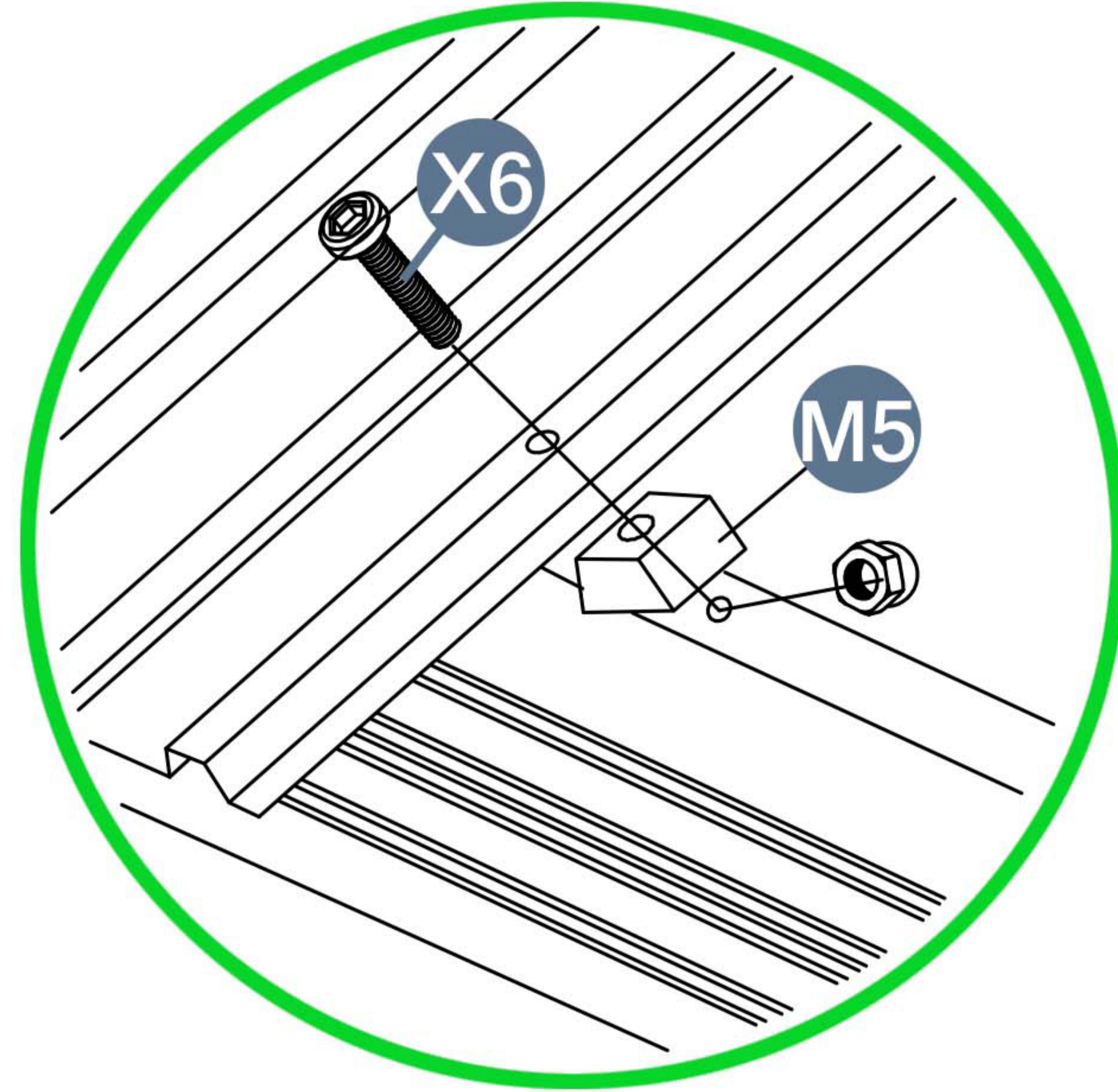
X6 12pcs



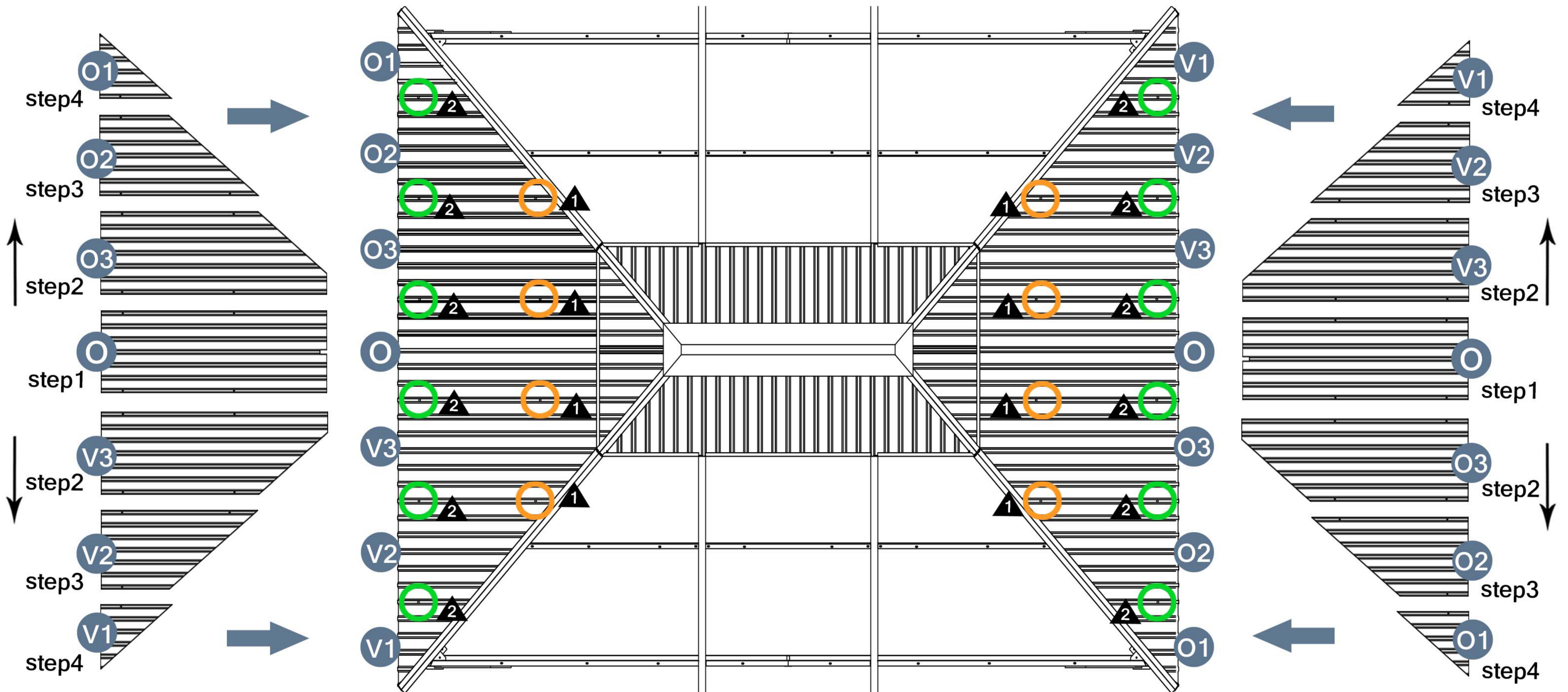
Pay attention to the direction of screw installation



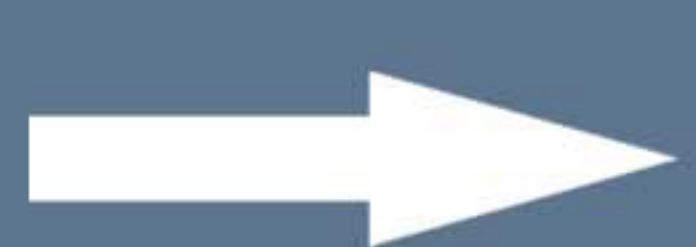
1



2

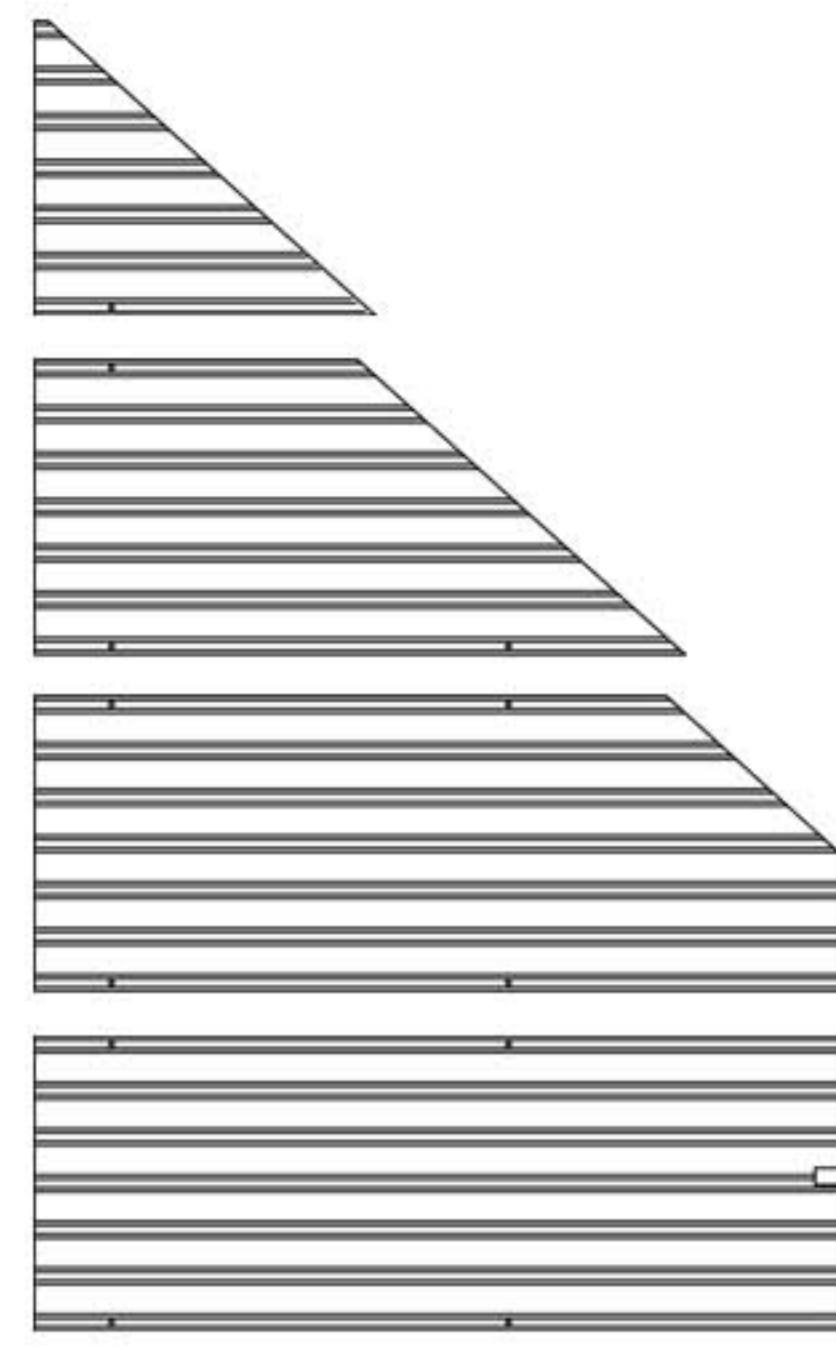


Please take care of the screws and contact the after-sales service if there is any problem with the installation or parts.

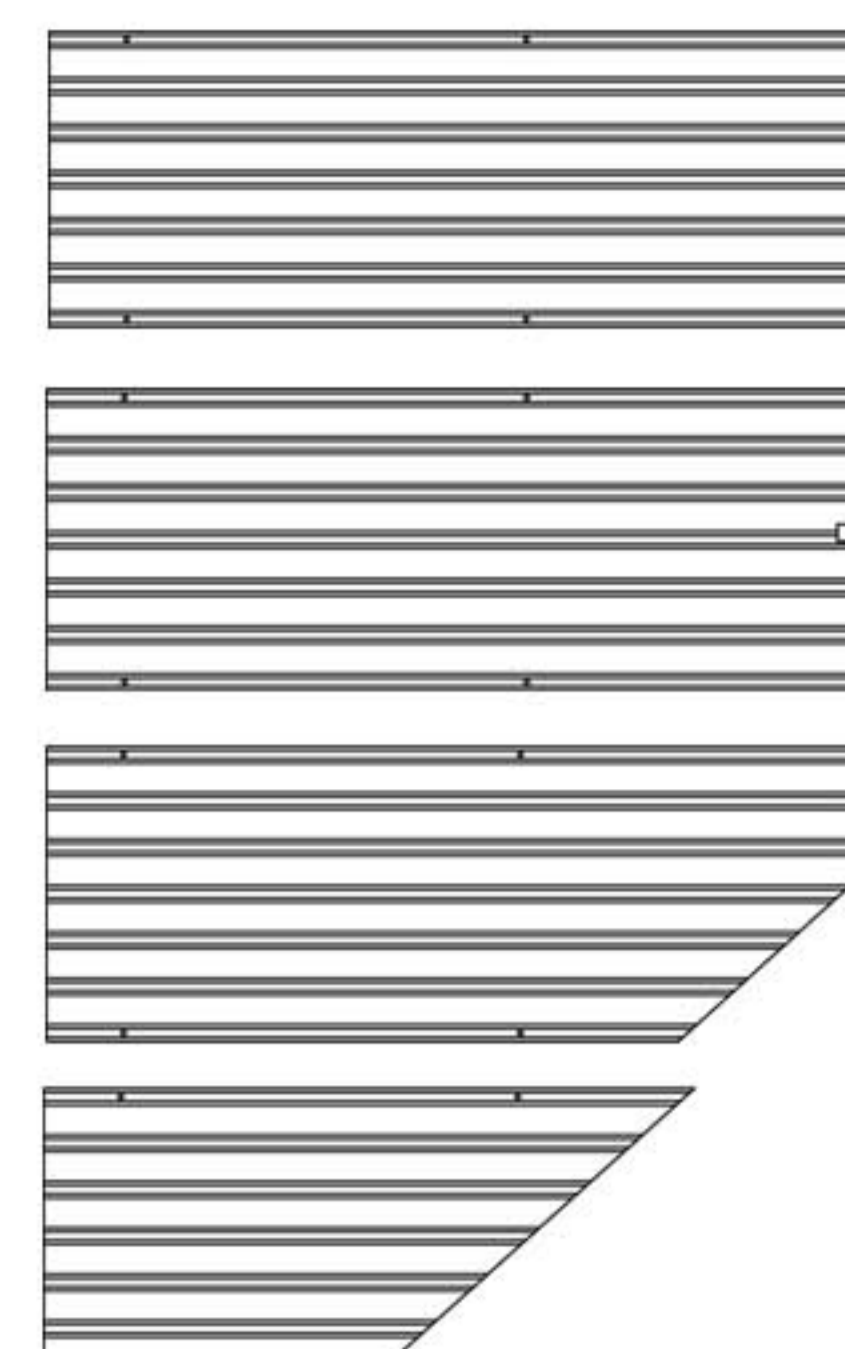


# STEP 19

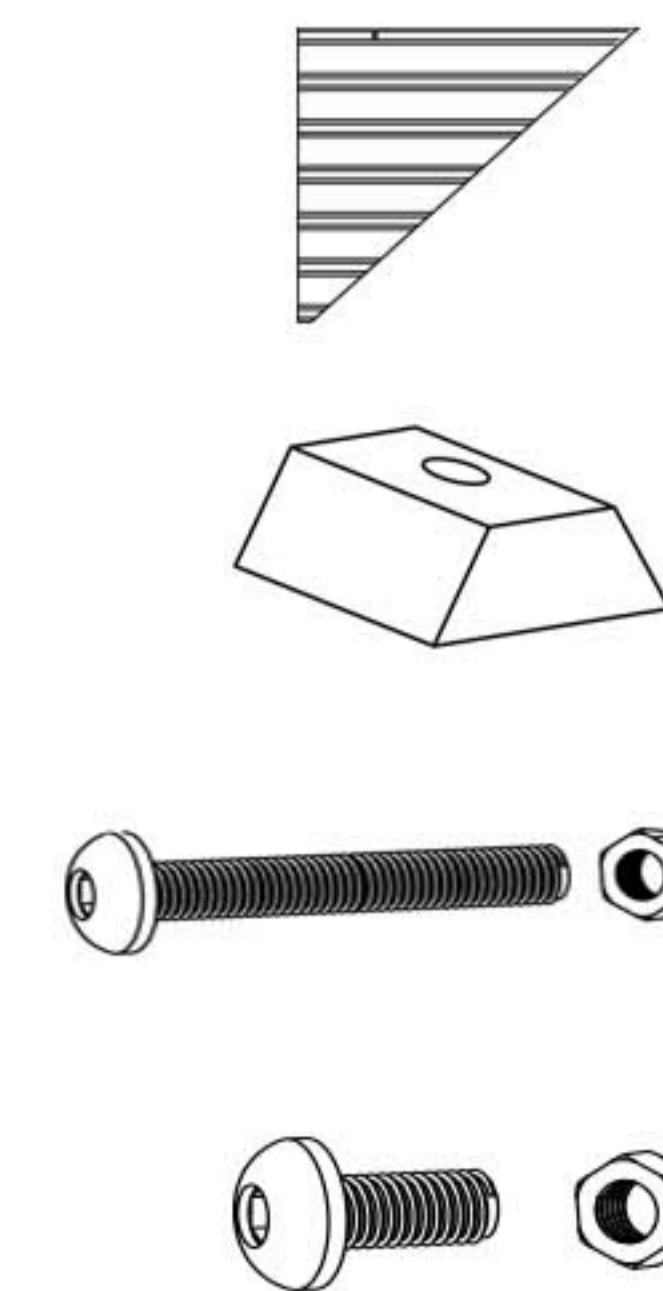
Parts required



- N1 2pcs
- N2 2pcs
- N3 2pcs
- N4 2pcs



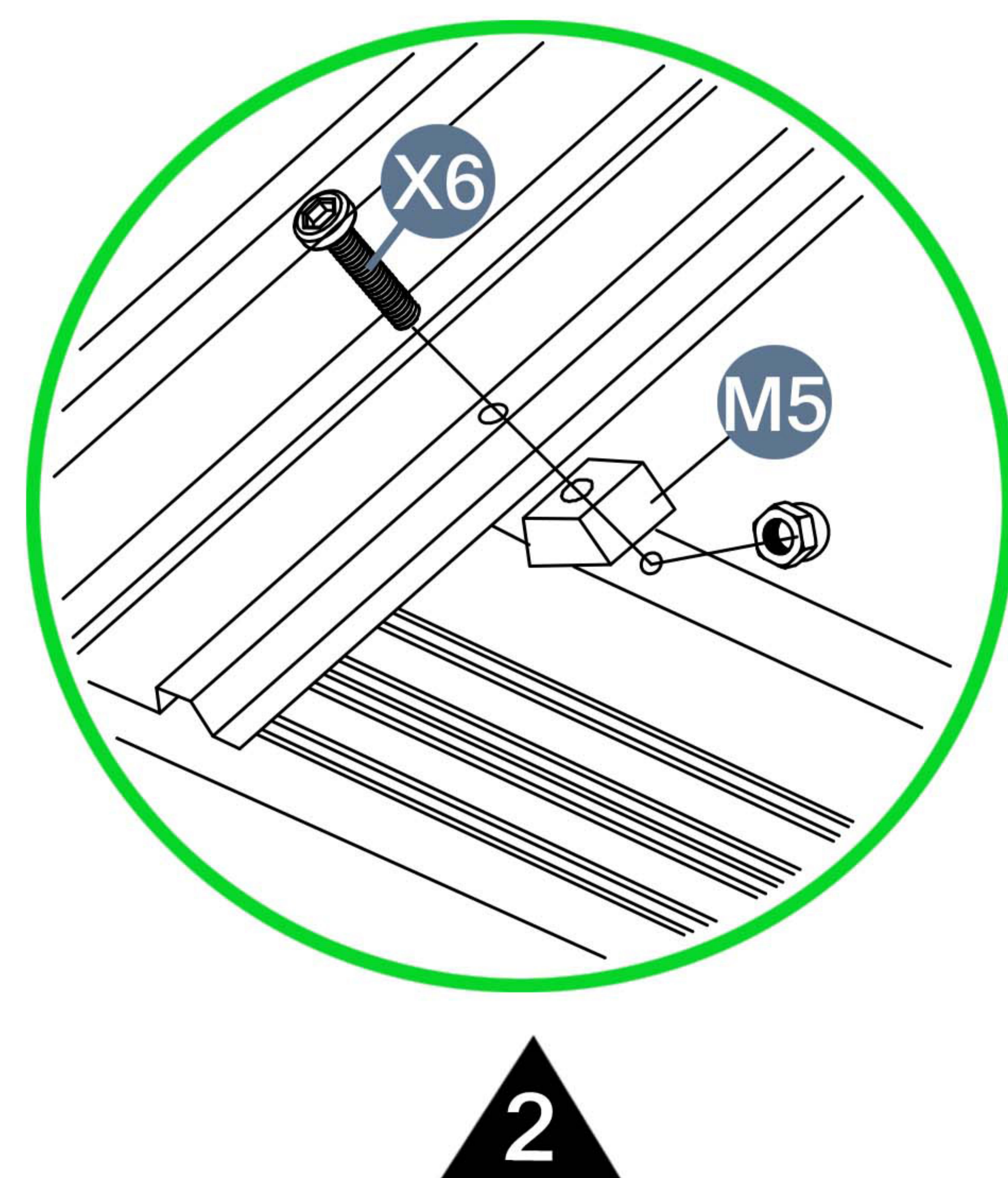
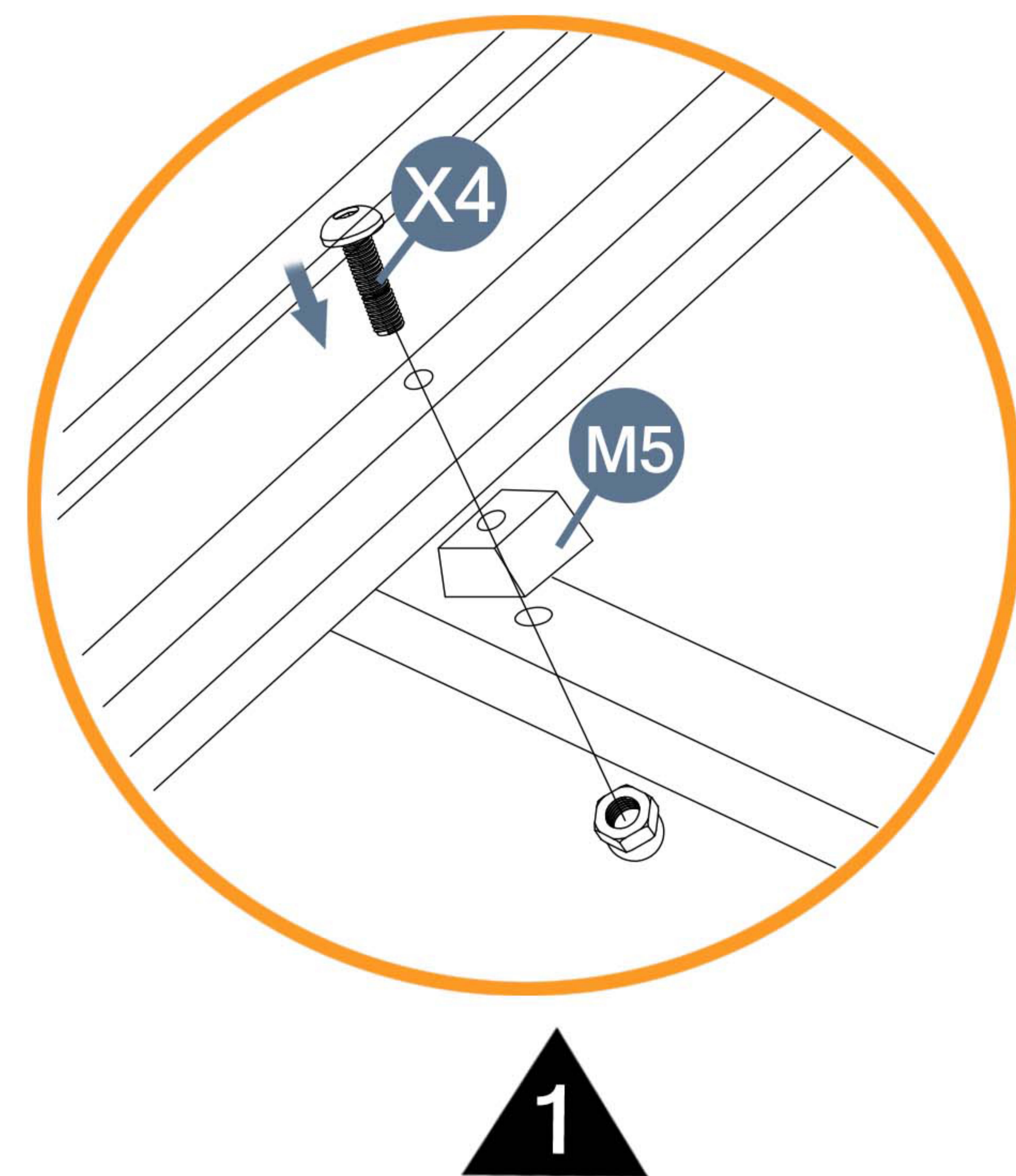
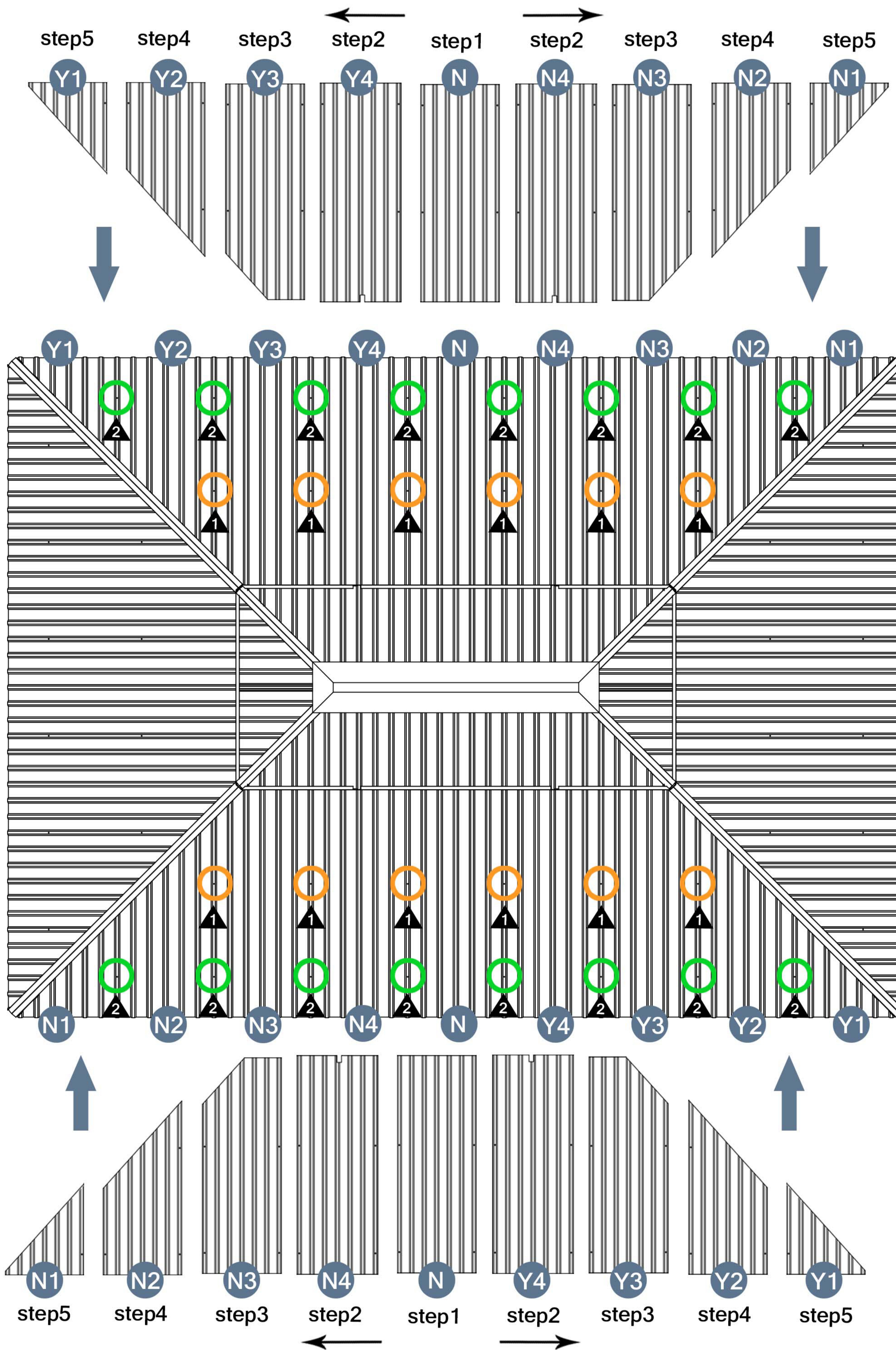
- N 2pcs
- Y4 2pcs
- Y3 2pcs
- Y2 2pcs



- Y1 2pcs
- M5 28pcs
- X4 12pcs
- X6 16pcs



Pay attention to the direction of screw installation

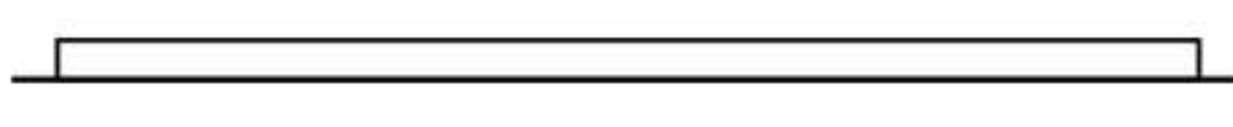

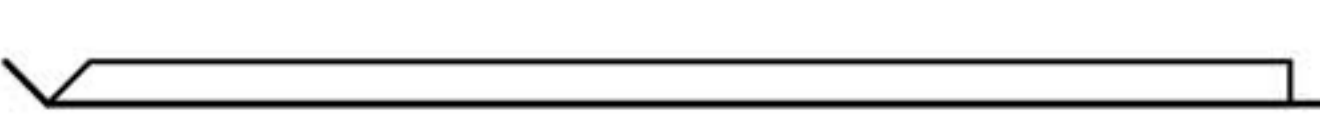
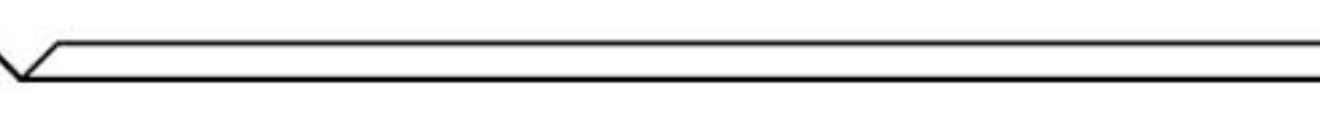
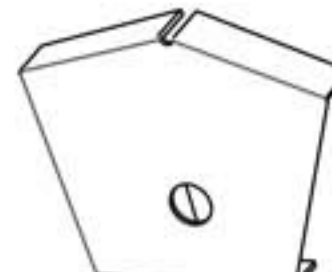
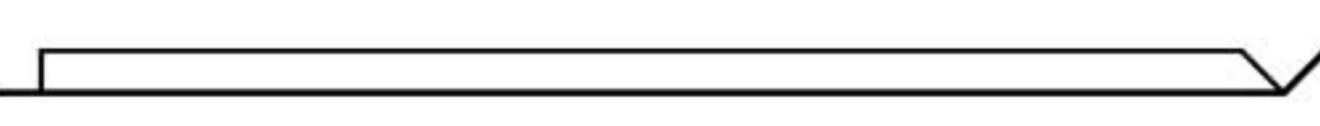
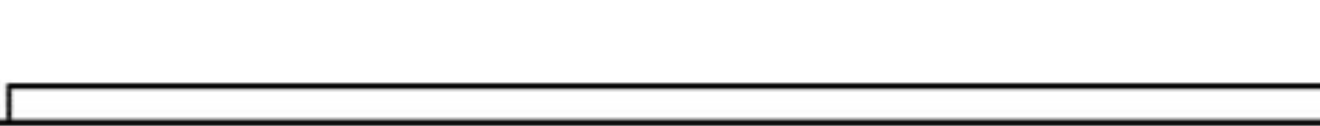



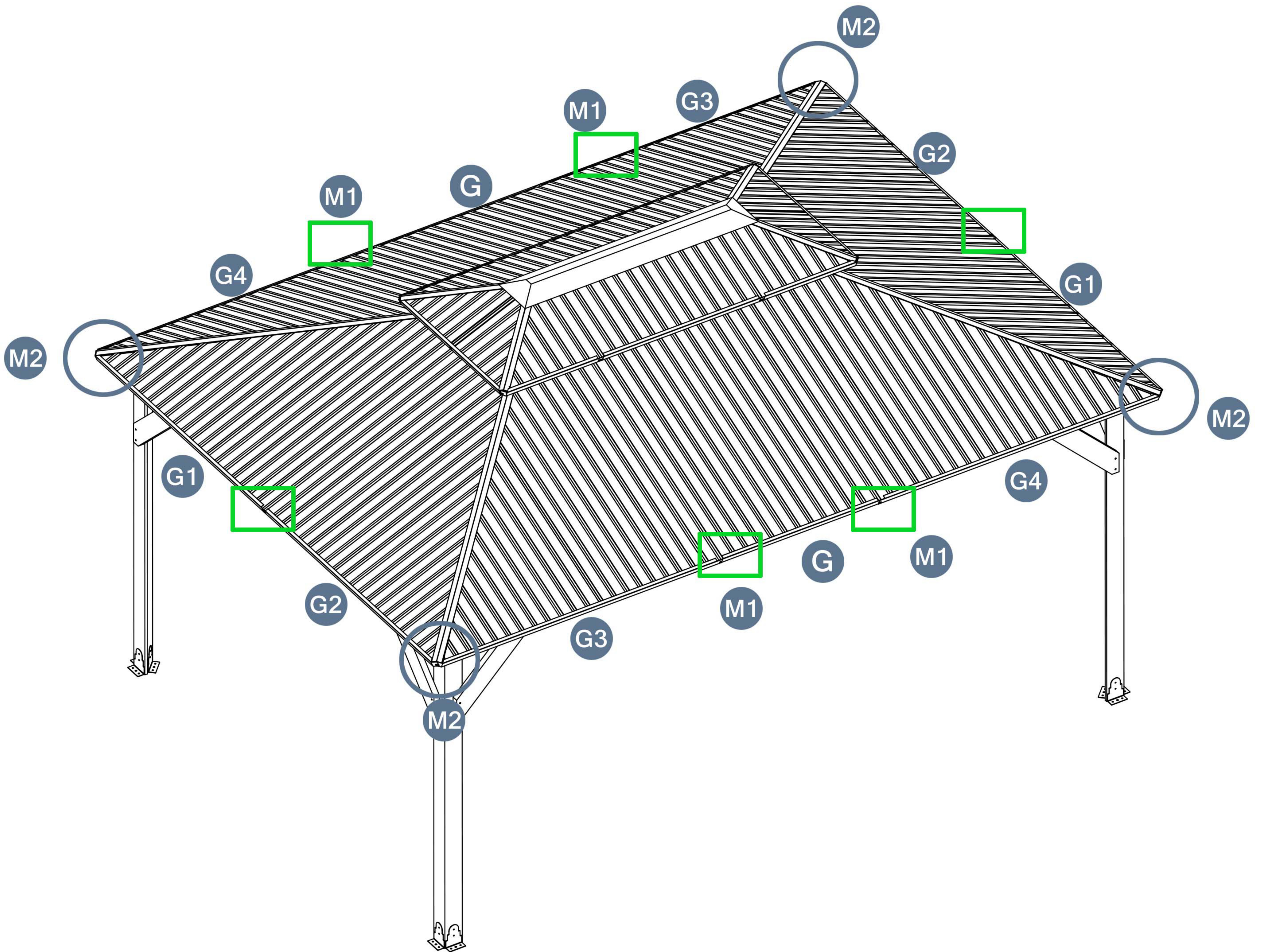
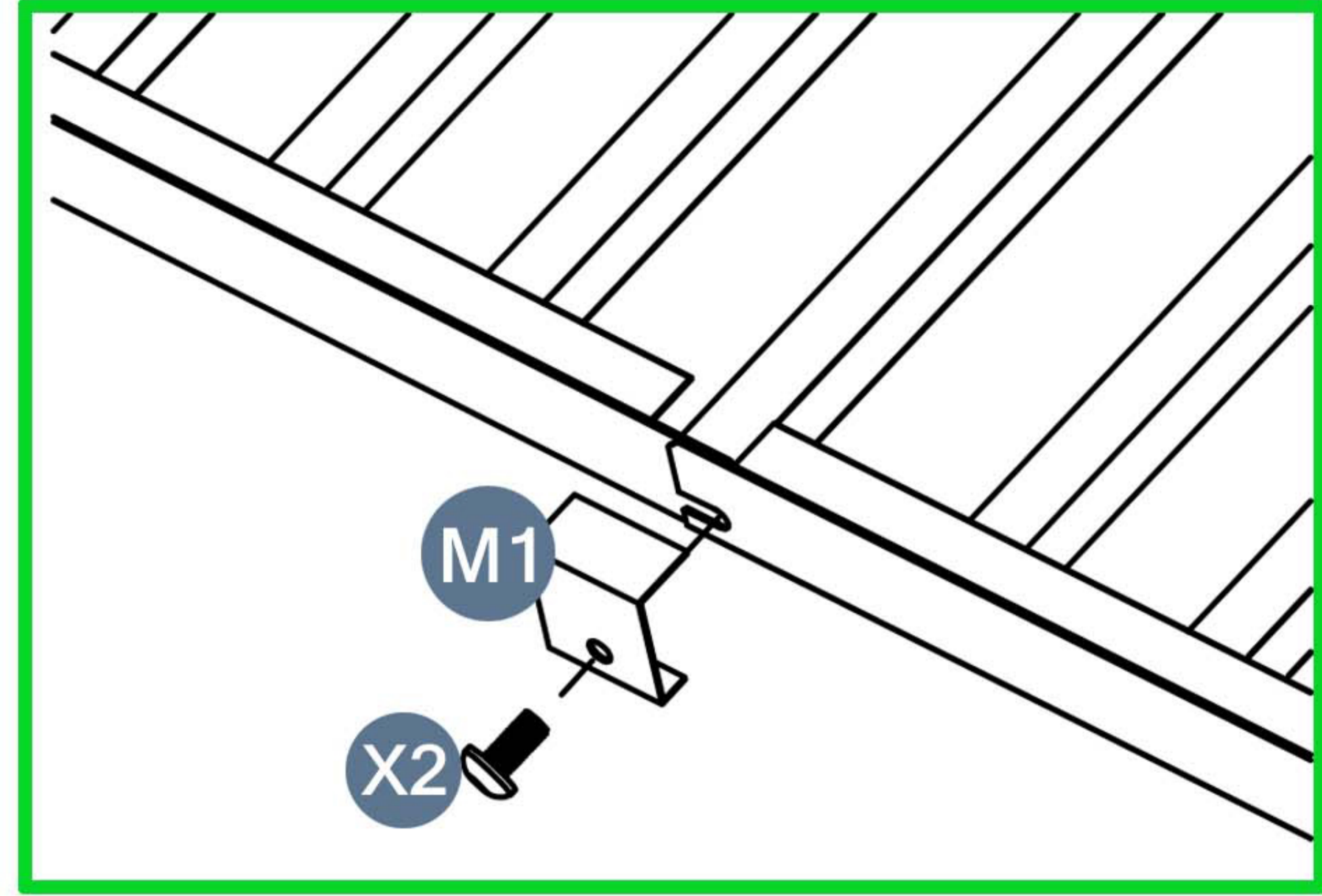
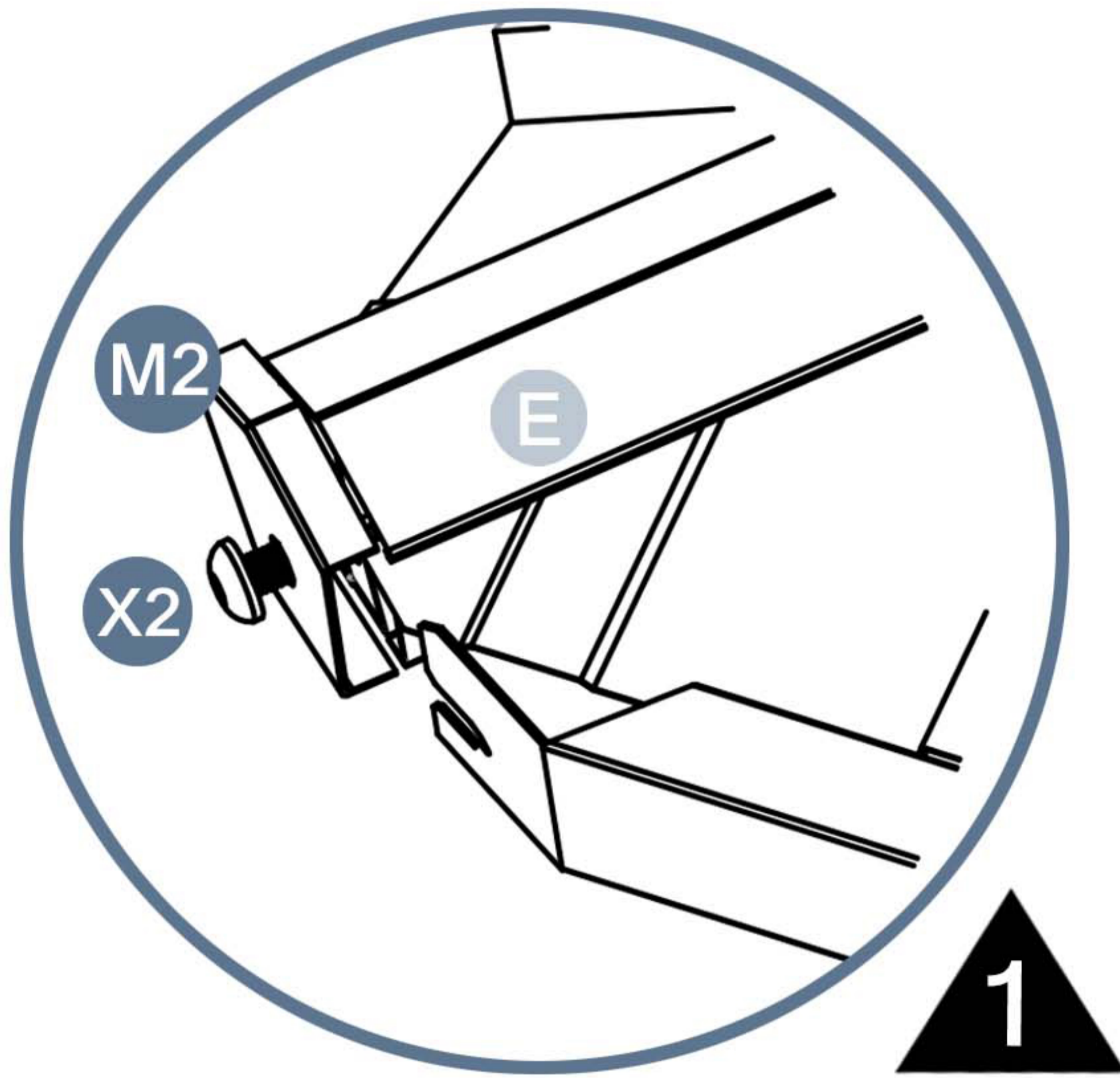
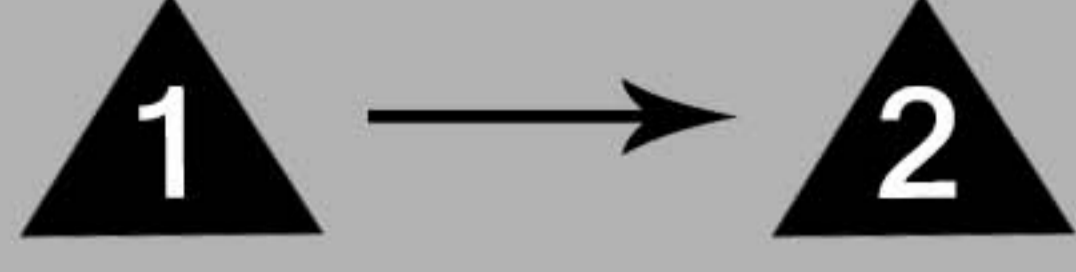
Please take care of the screws and contact the after-sales service if there is any problem with the installation or parts.

➔ E-mail: [cs.helper01@gmail.com](mailto:cs.helper01@gmail.com)

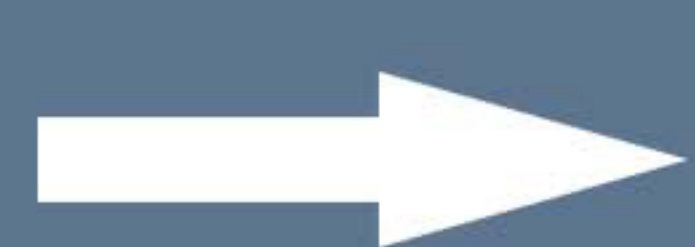
# STEP 20

Parts required

- |   |    |      |   |    |      |   |    |       |
|---|----|------|---|----|------|---|----|-------|
|  | G  | 2pcs |  | M1 | 6pcs |   |    |       |
|   | G1 | 2pcs |  | G3 | 2pcs |  | M2 | 4pcs  |
|   | G2 | 2pcs |  | G4 | 2pcs |  | X2 | 10pcs |



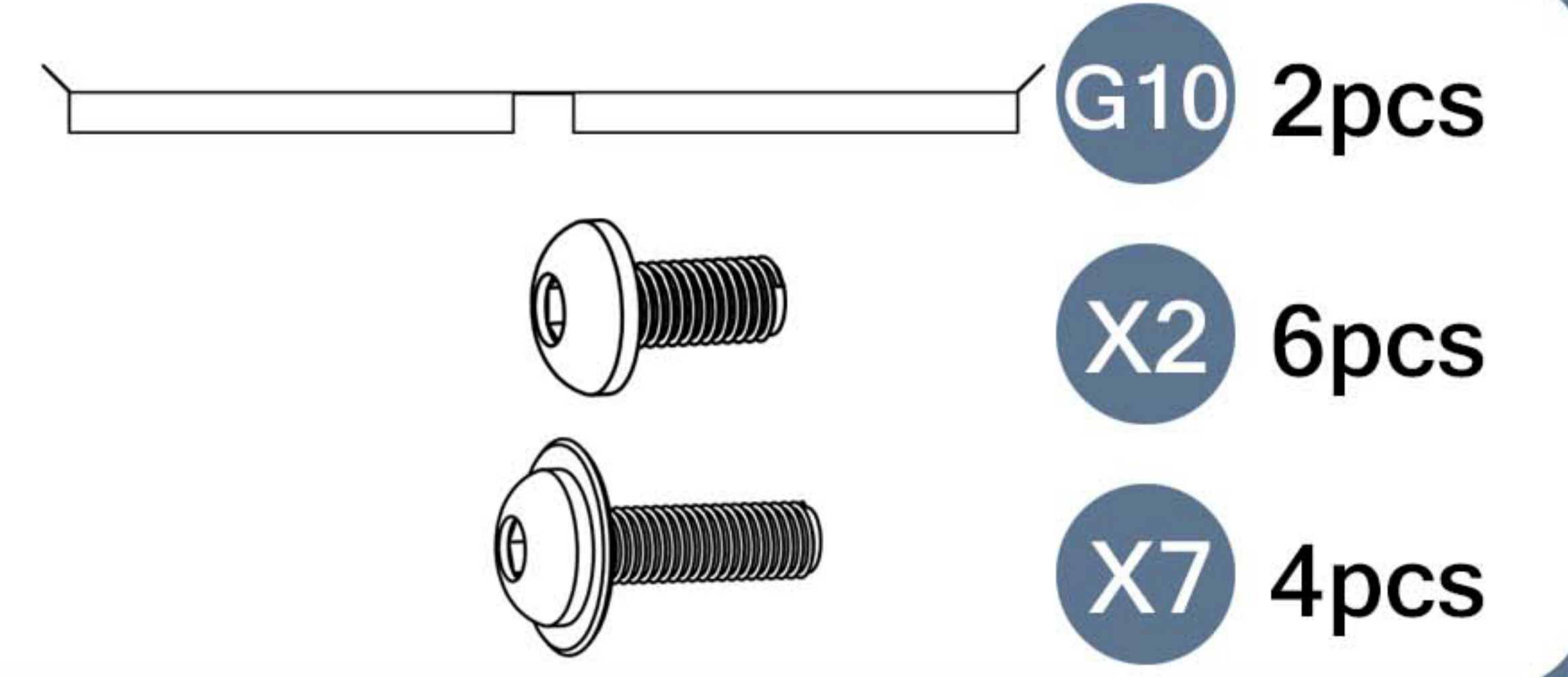
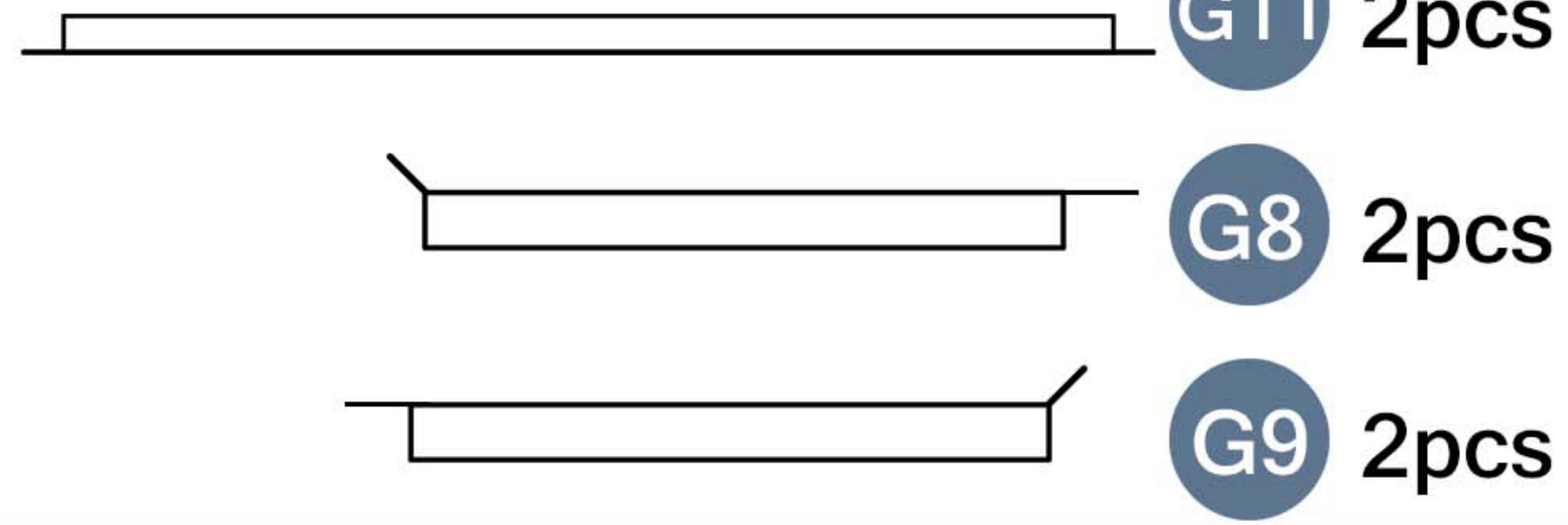
Please take care of the screws and contact the after-sales service if there is any problem with the installation or parts.



E-mail: [cs.helper01@gmail.com](mailto:cs.helper01@gmail.com)

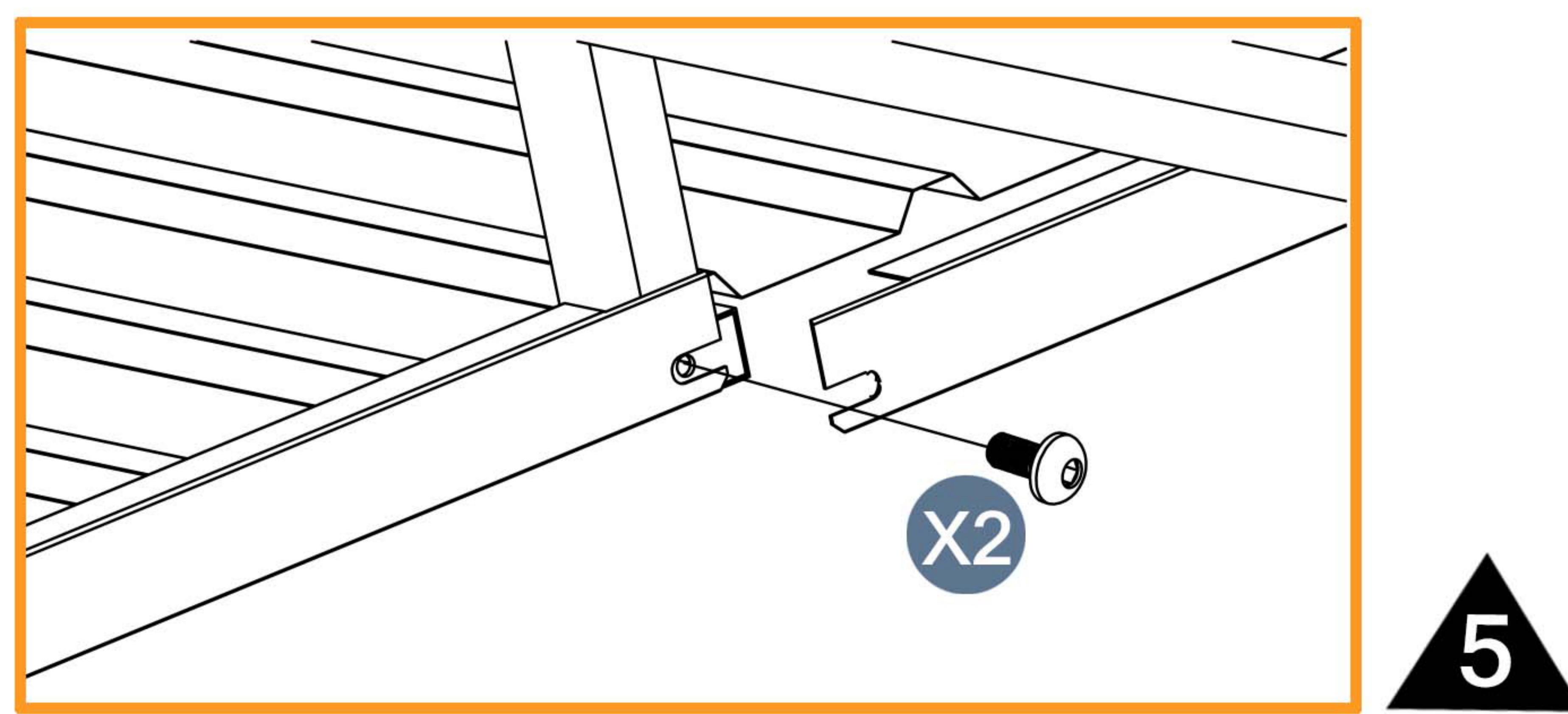
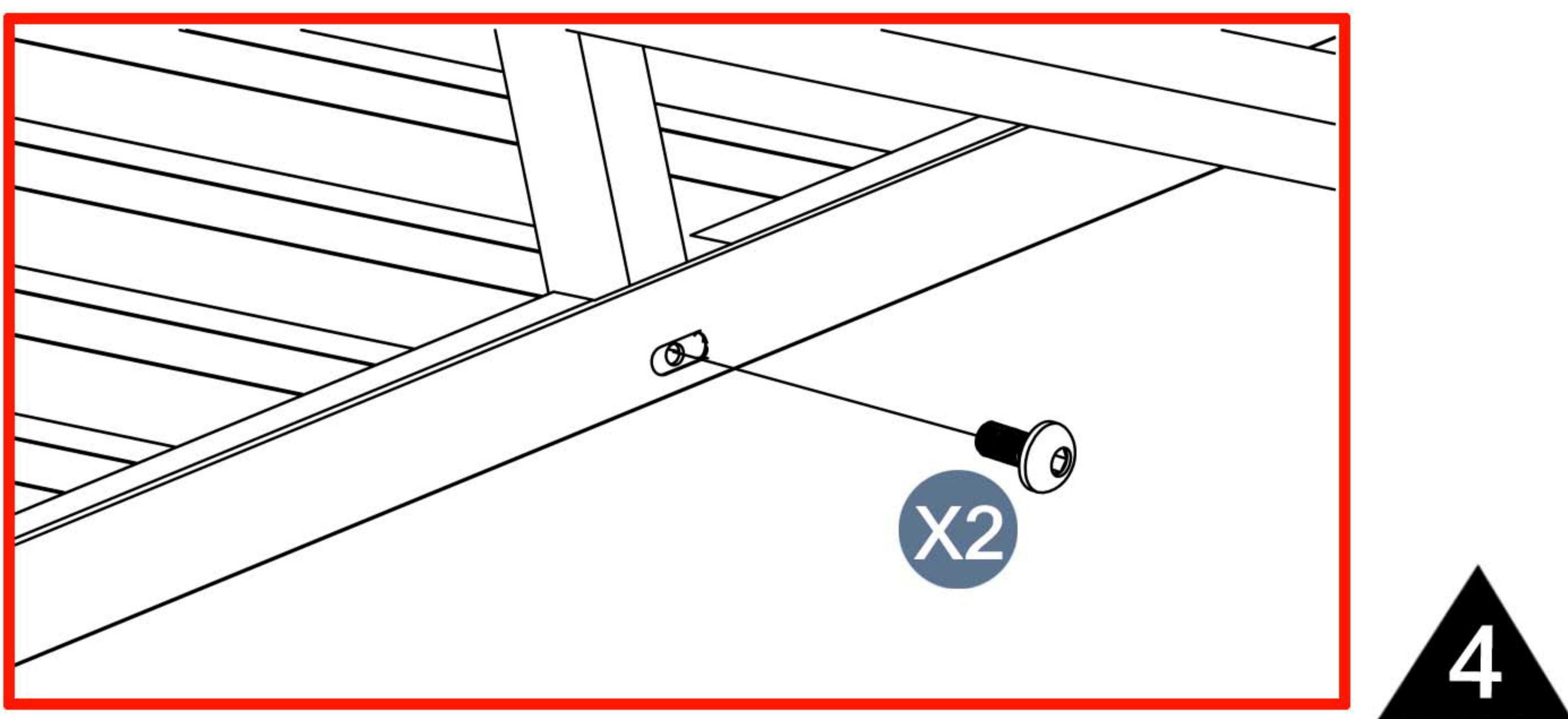
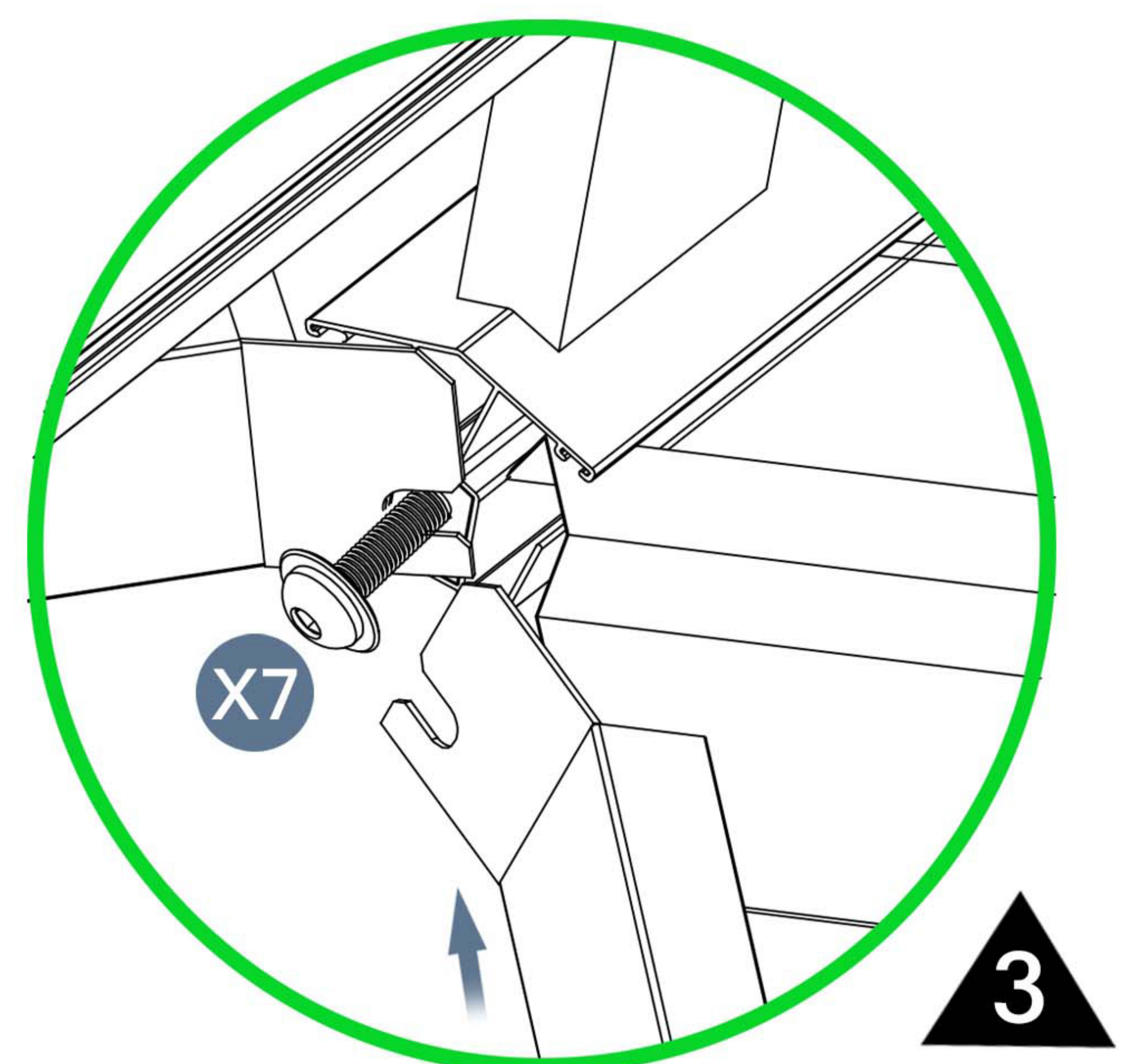
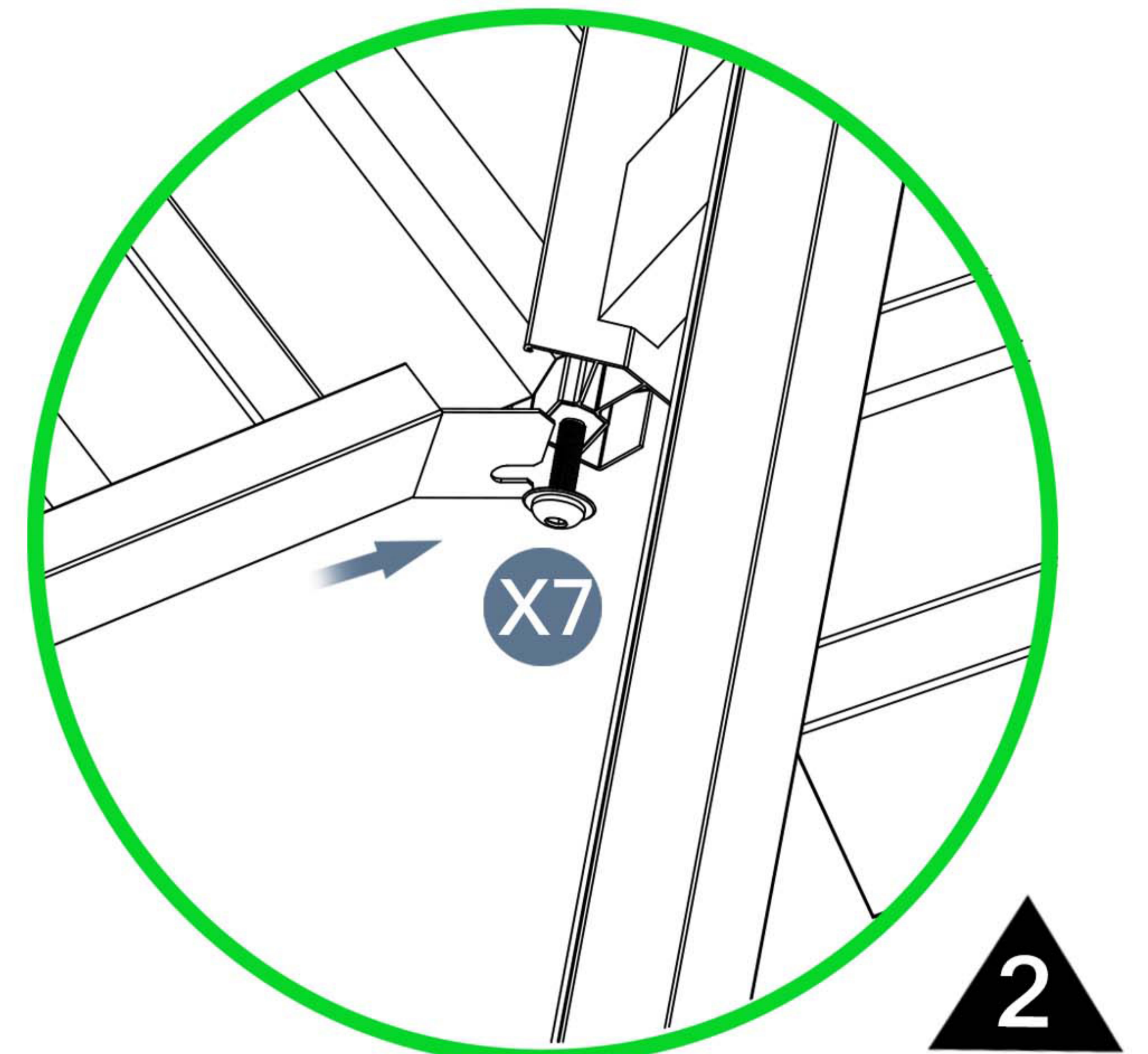
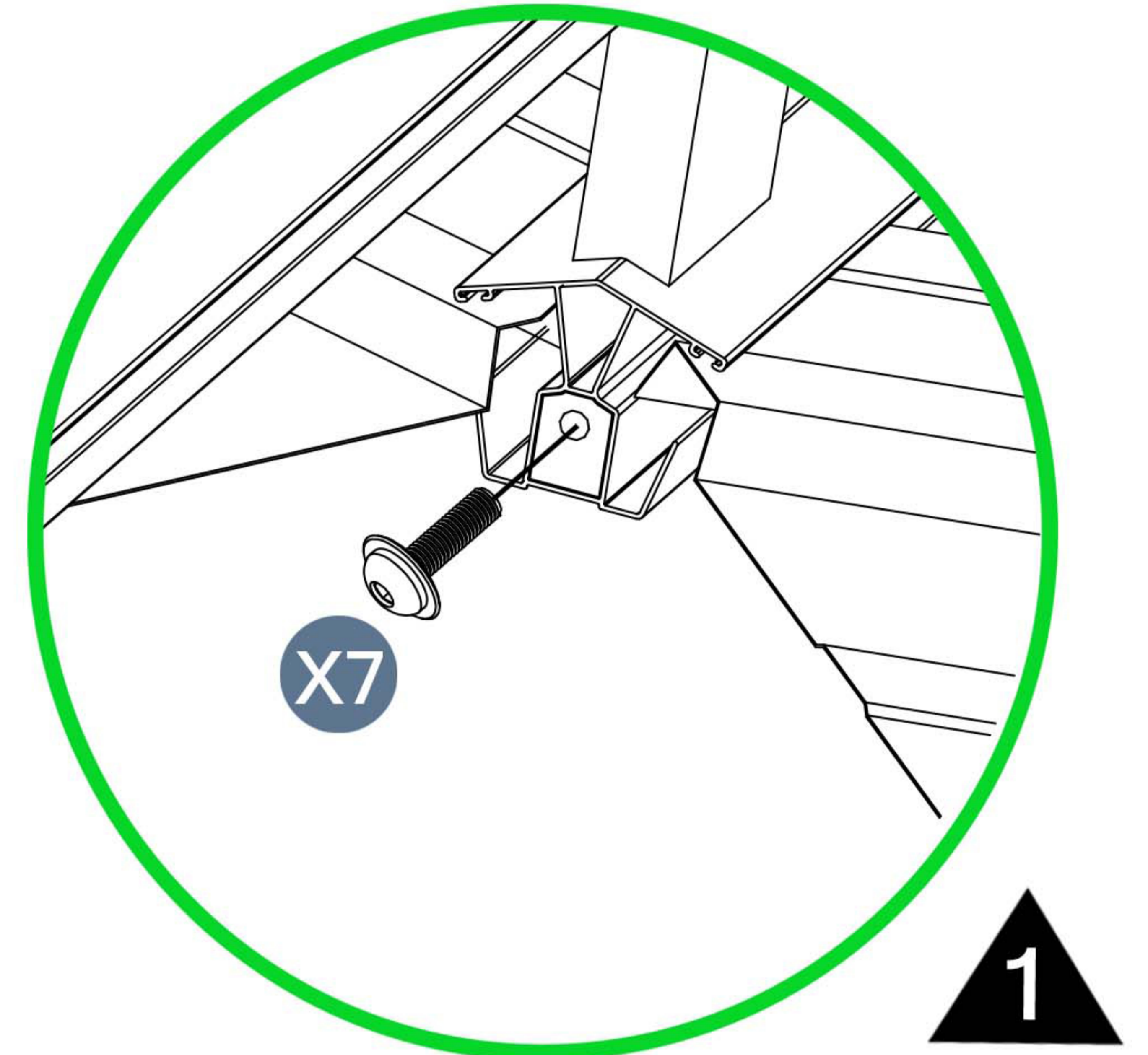
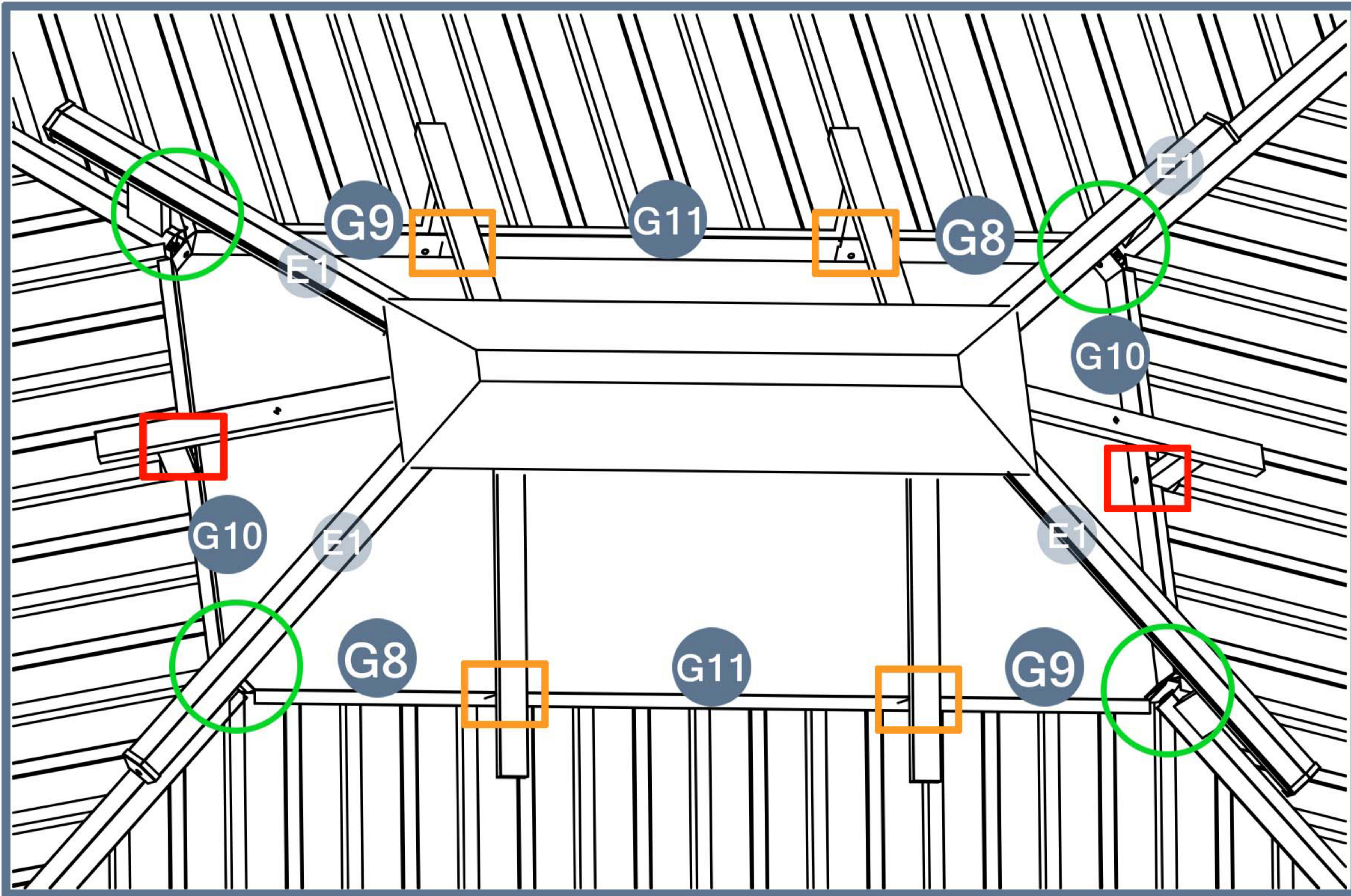
# STEP 21

Parts required



It can be installed from the inside.

To better align the screws for practical situations, do not fully tighten screws initially.

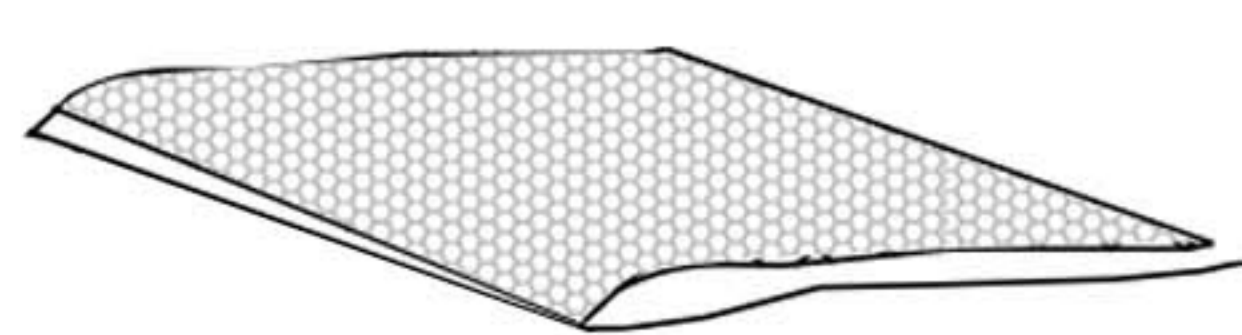


Please take care of the screws and contact the after-sales service if there is any problem with the installation or parts.

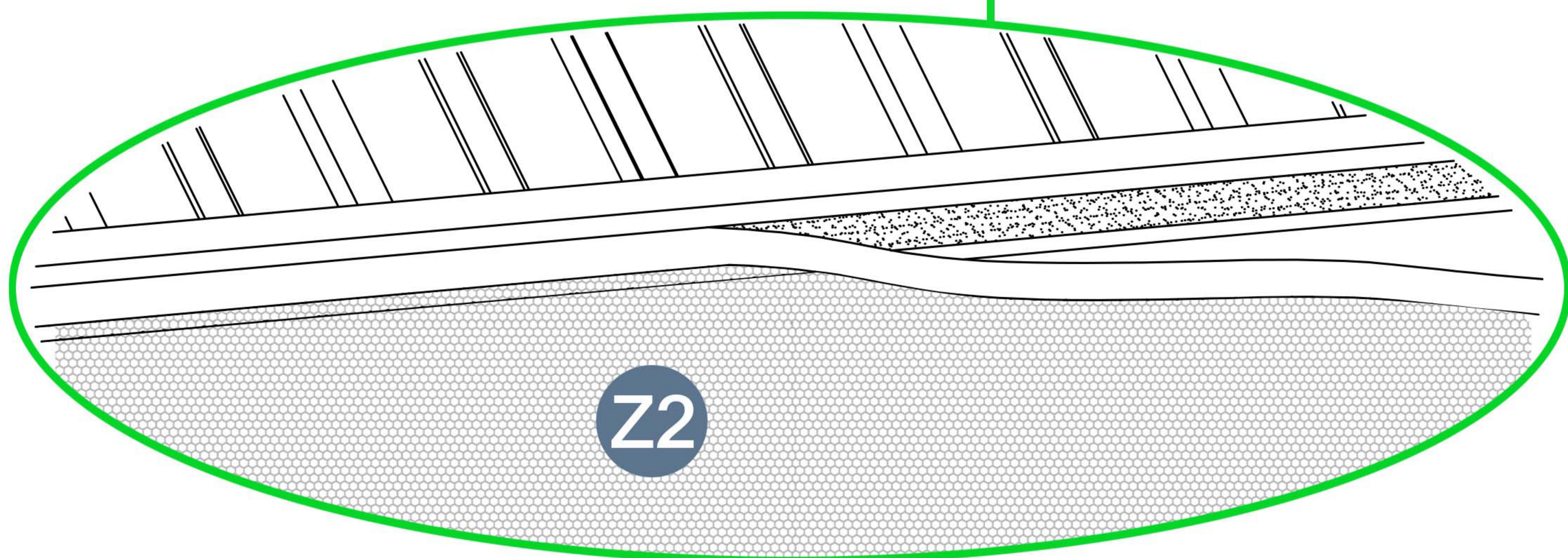
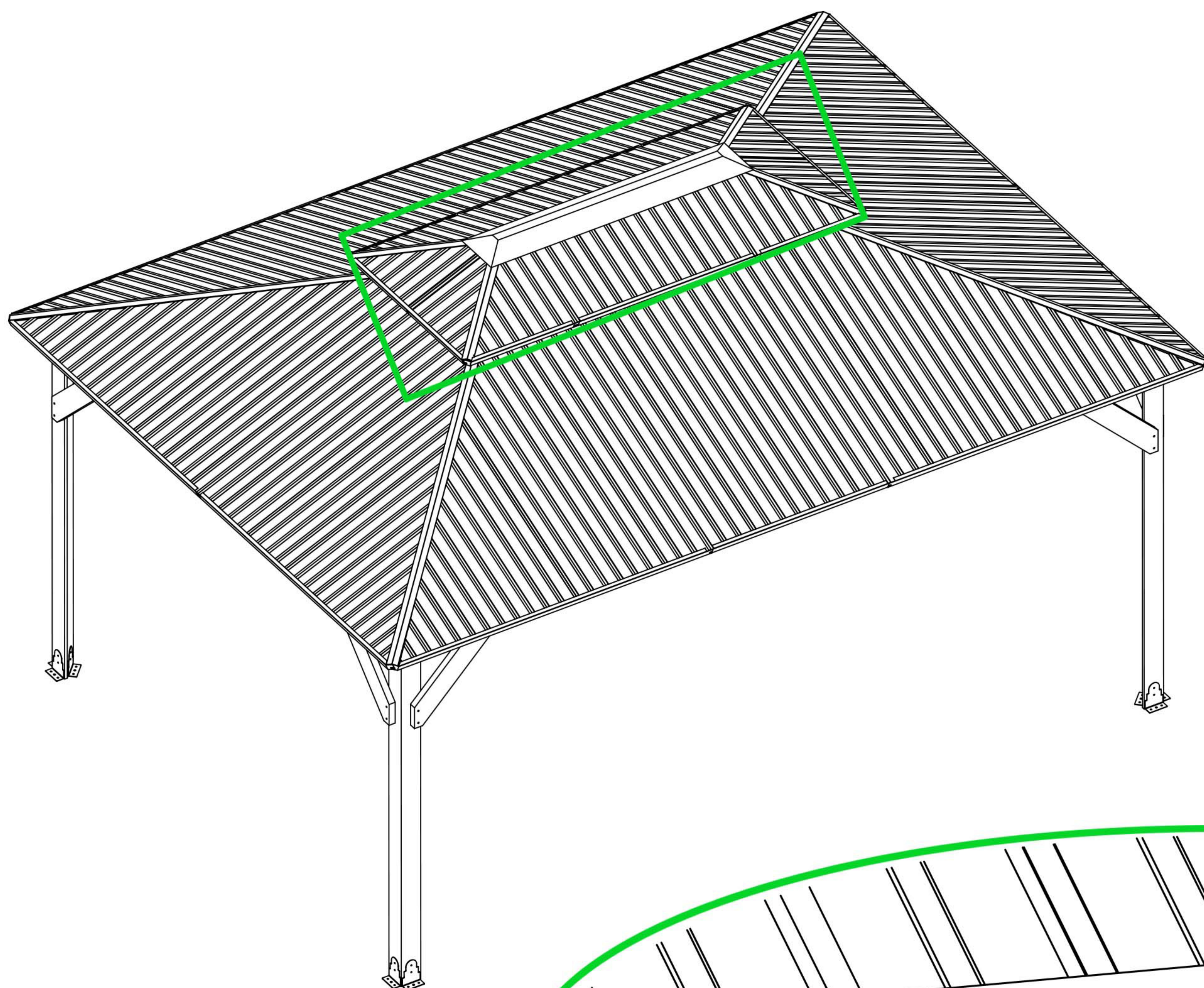
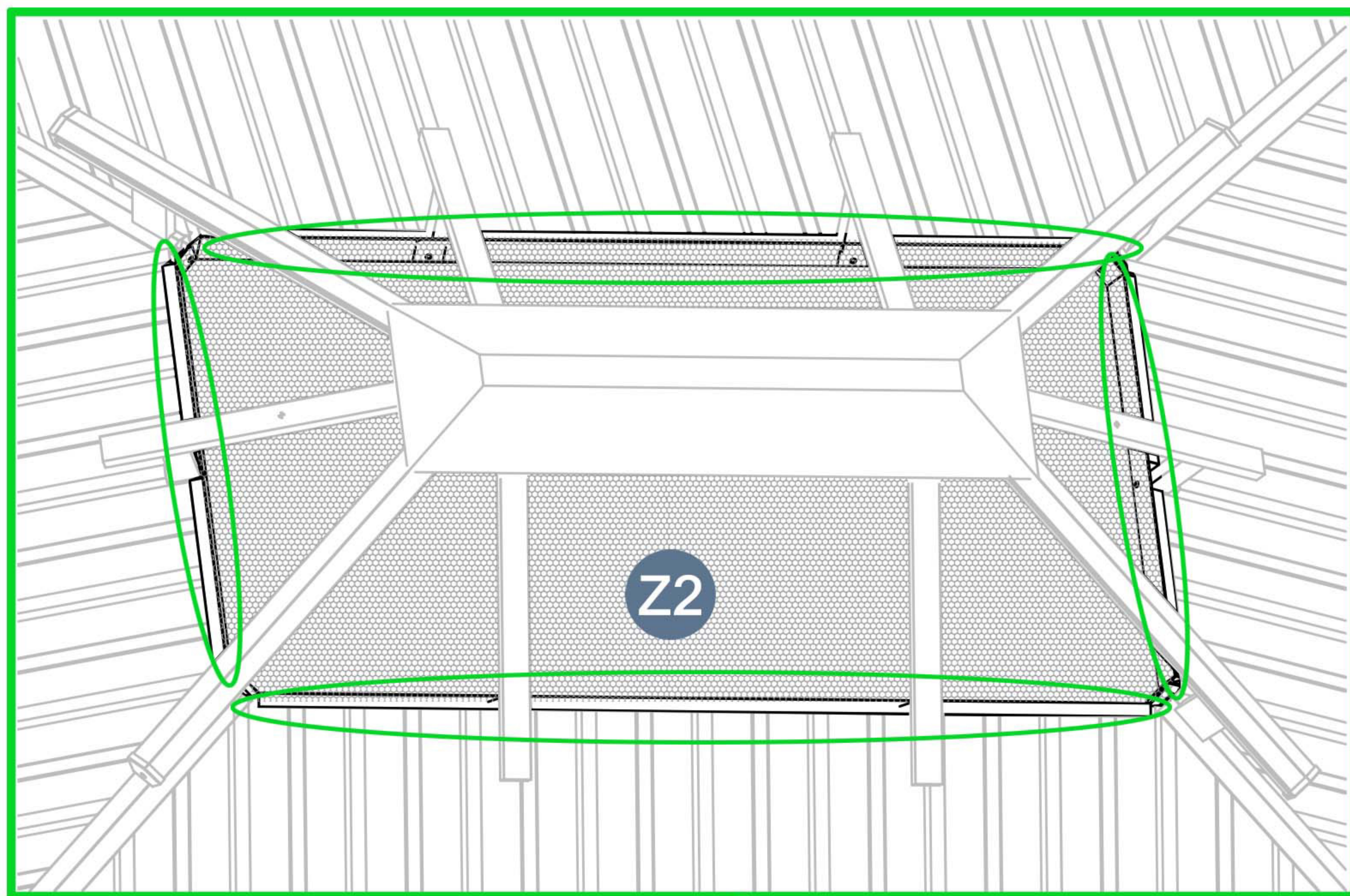
➔ E-mail: [cs.helper01@gmail.com](mailto:cs.helper01@gmail.com)

# STEP 22

Parts required



Z2 1pc



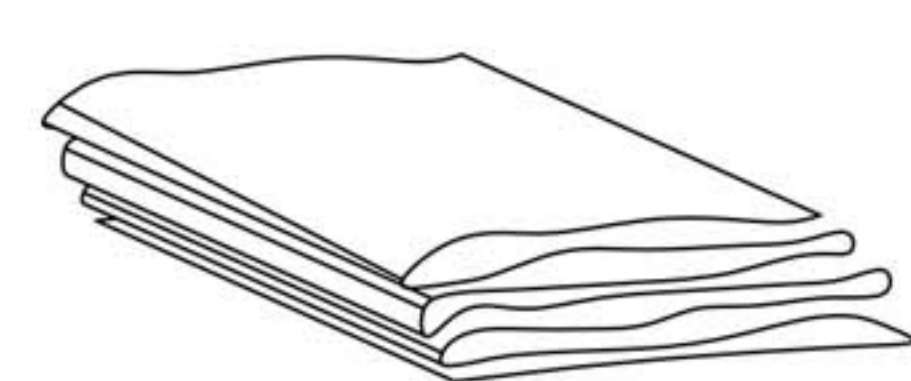
Please take care of the screws and contact the after-sales service if there is any problem with the installation or parts.



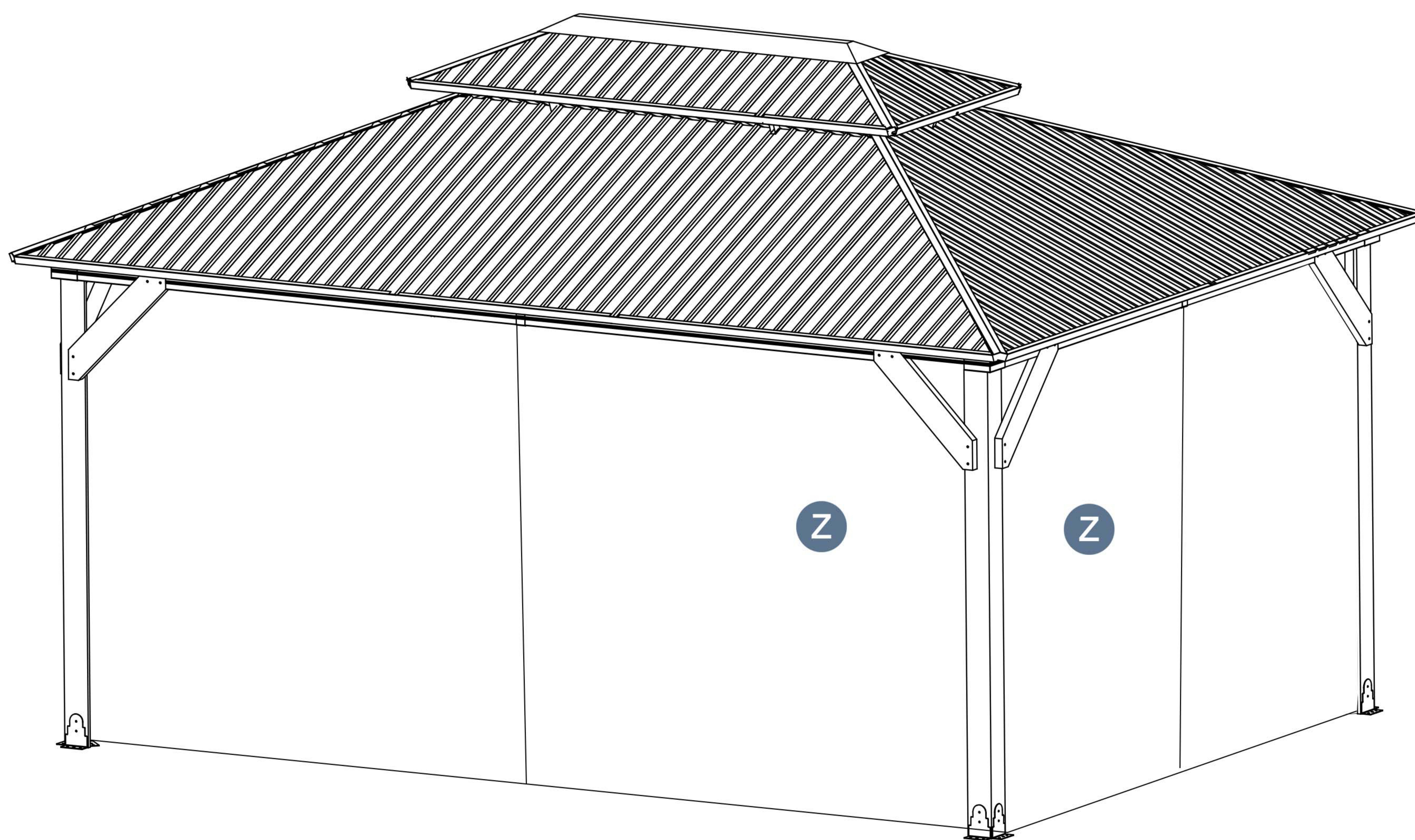
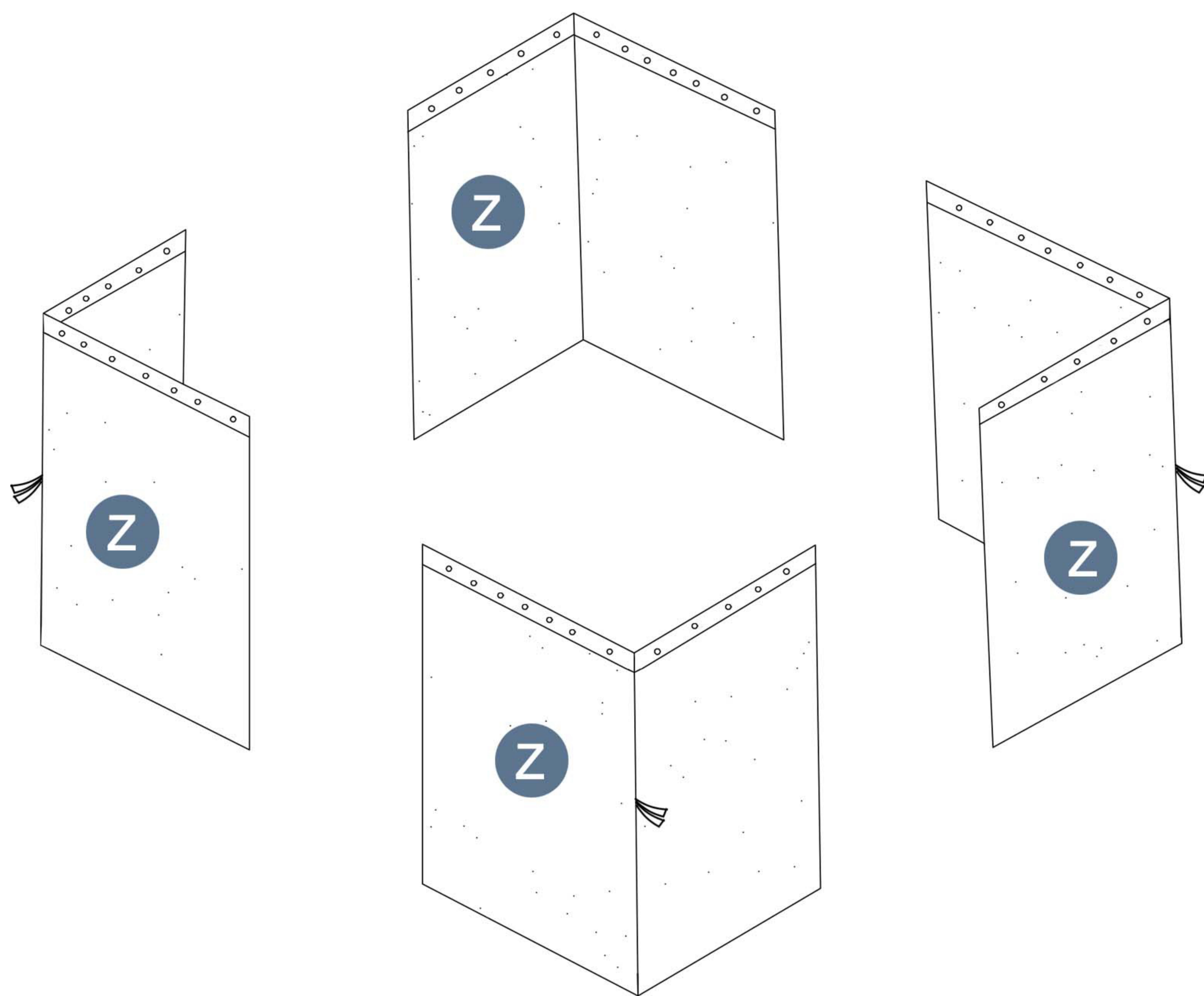
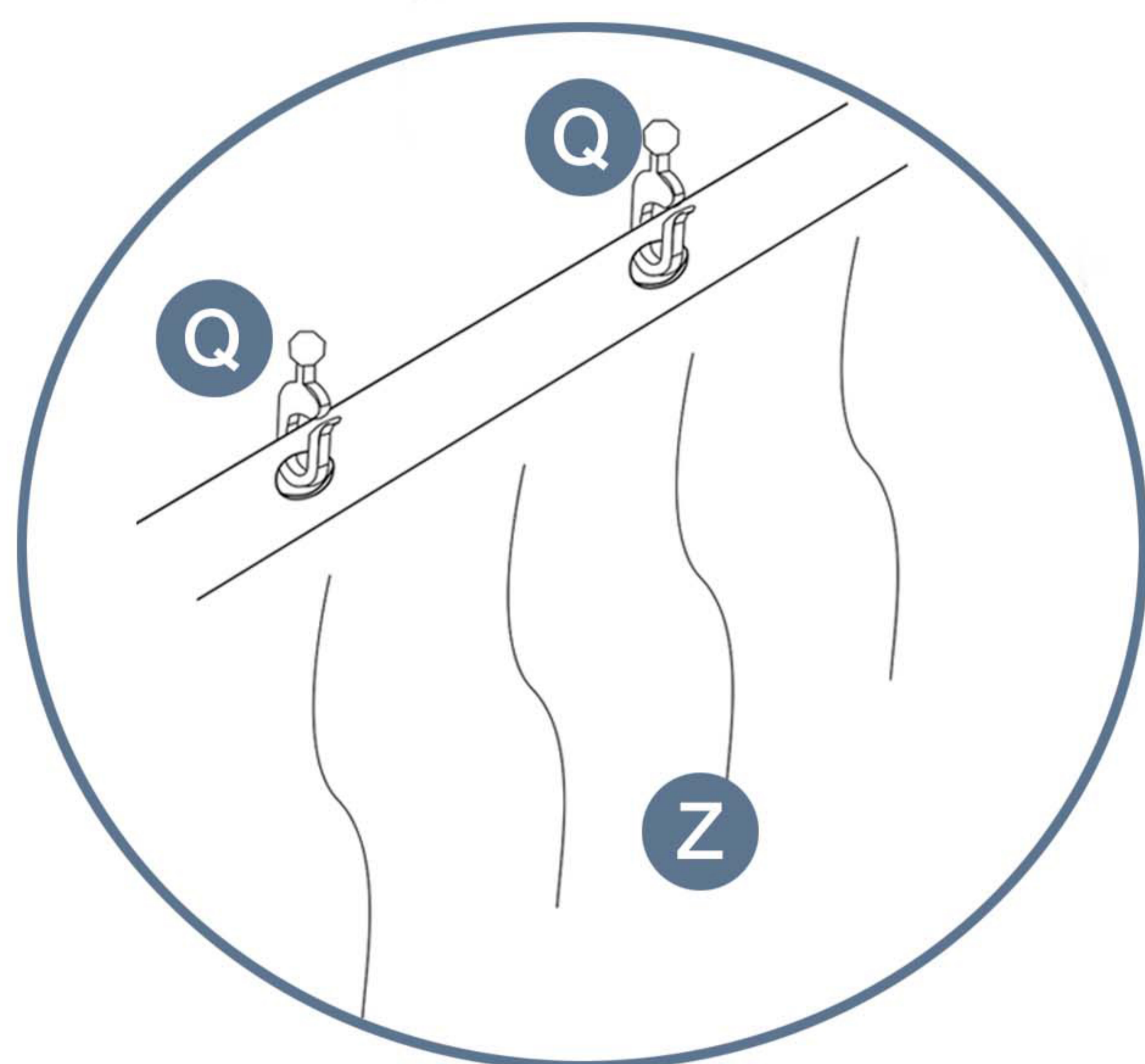
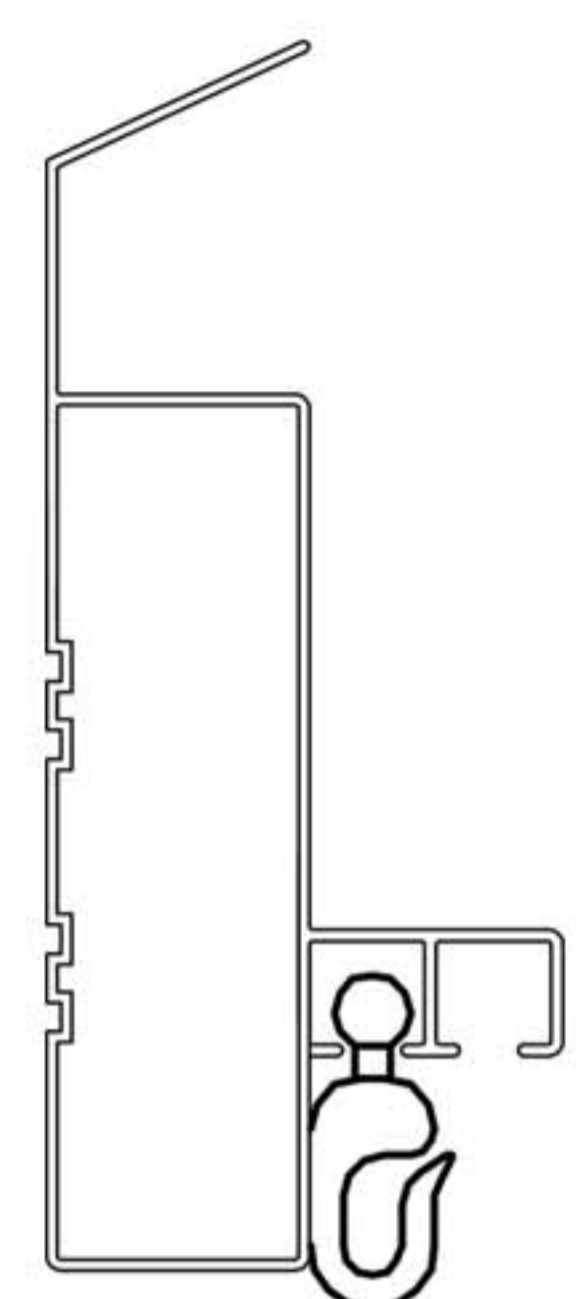
E-mail: [cs.helper01@gmail.com](mailto:cs.helper01@gmail.com)

# STEP 23

Parts required



Z 1pcs

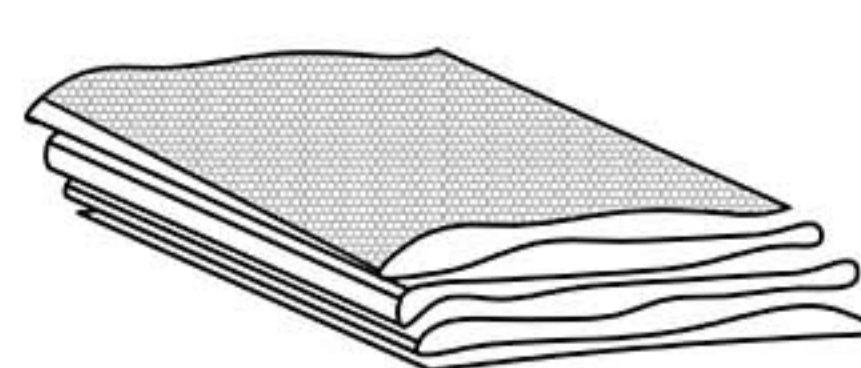


Please take care of the screws and contact the after-sales service if there is any problem with the installation or parts.

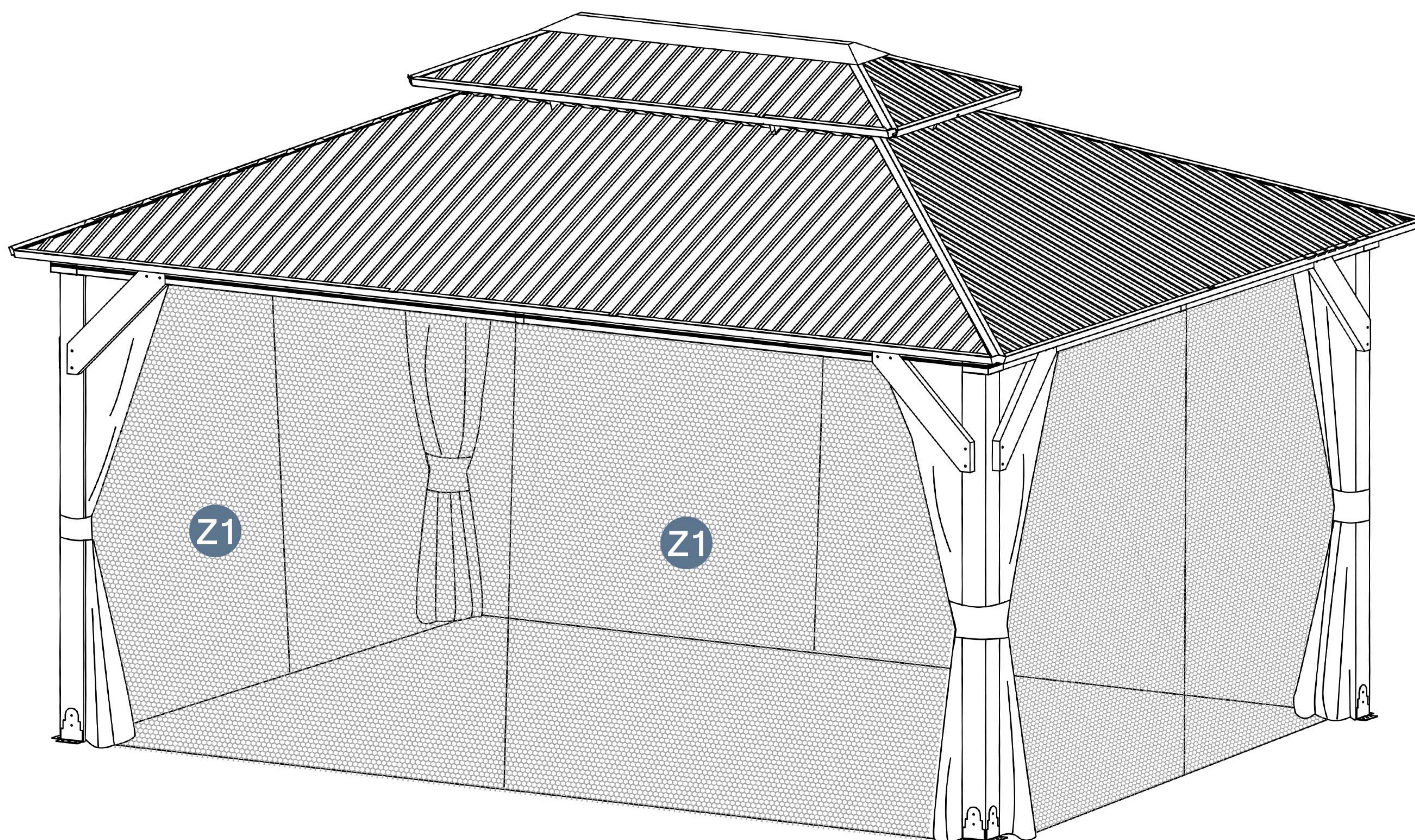
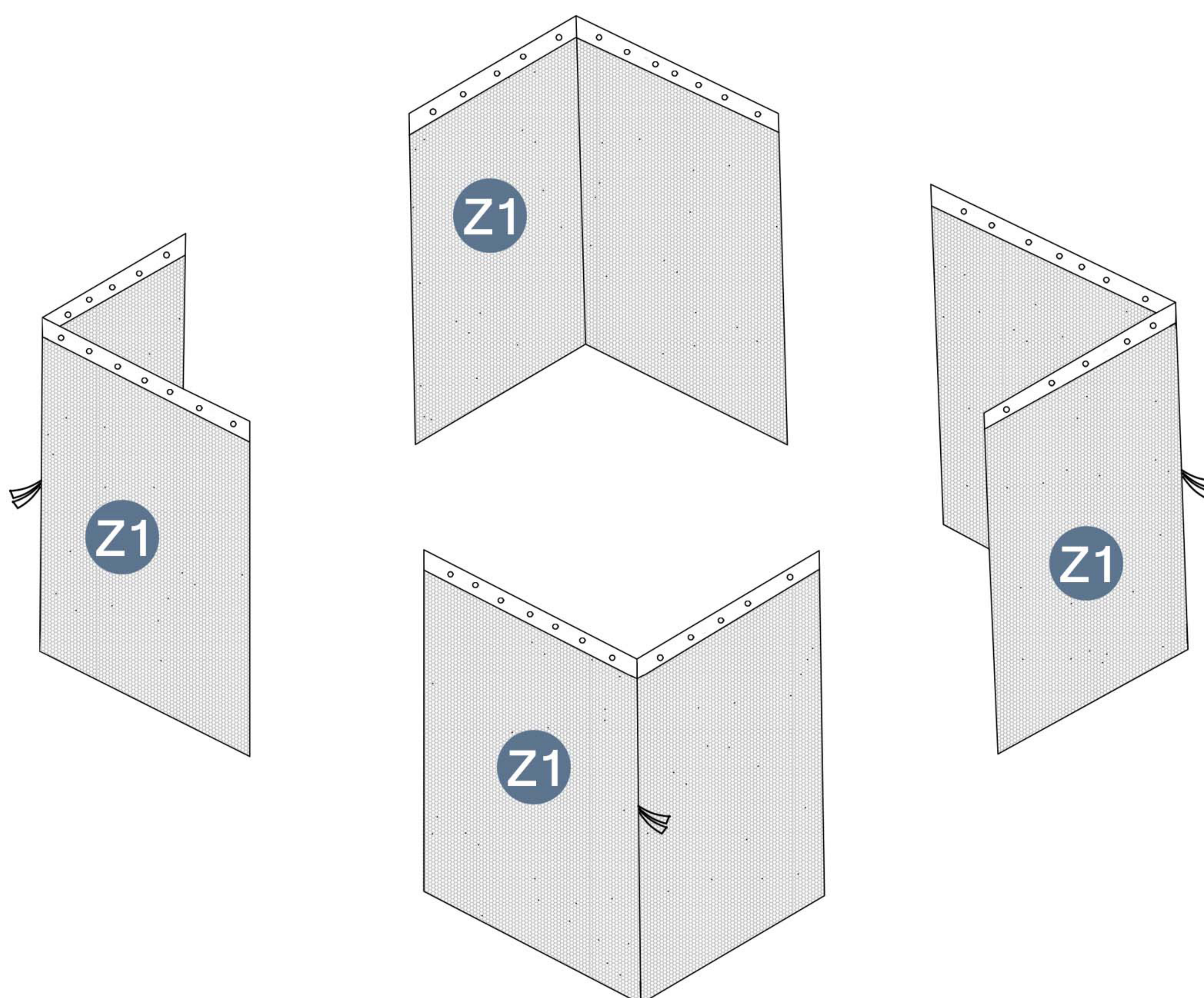
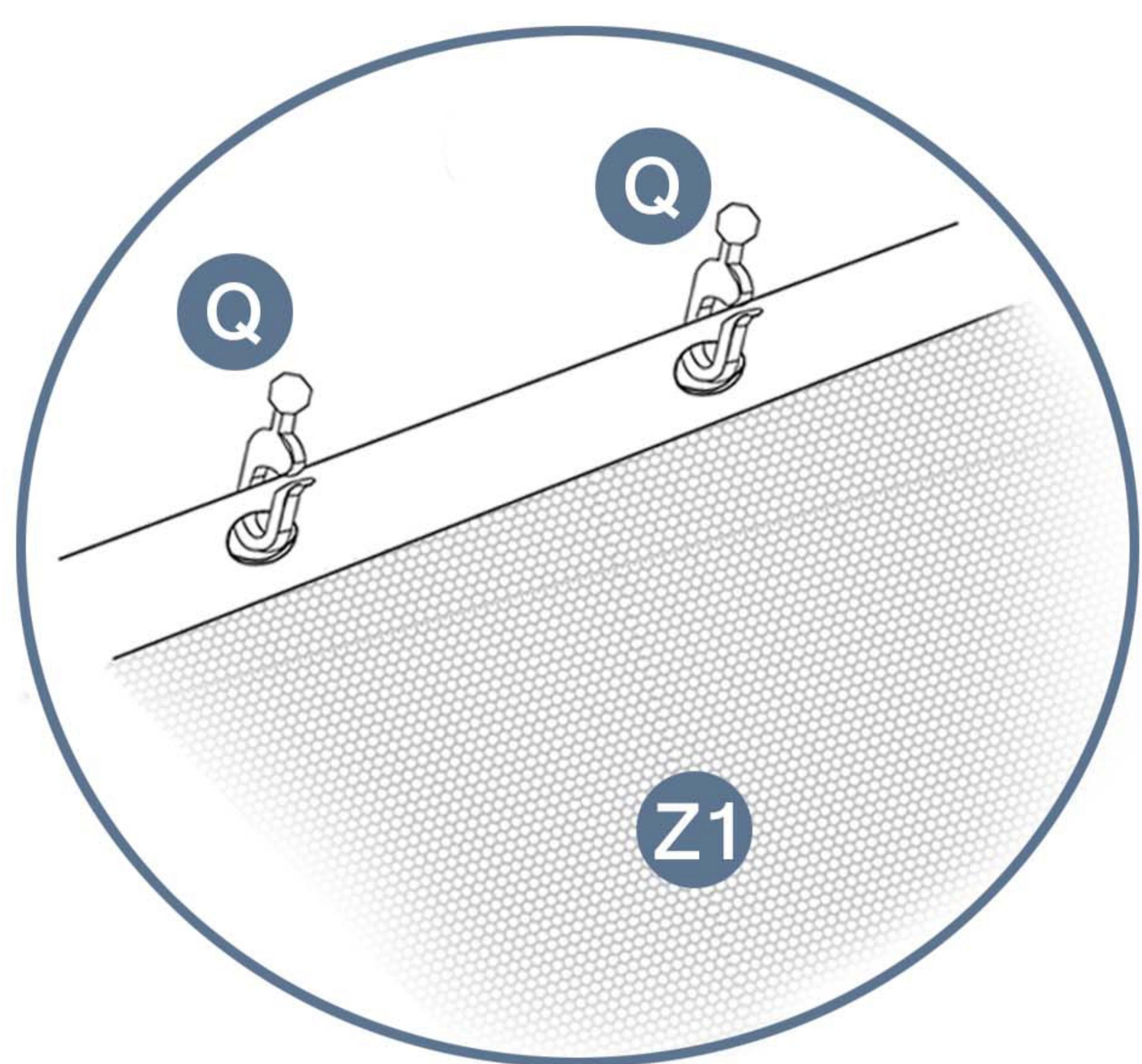
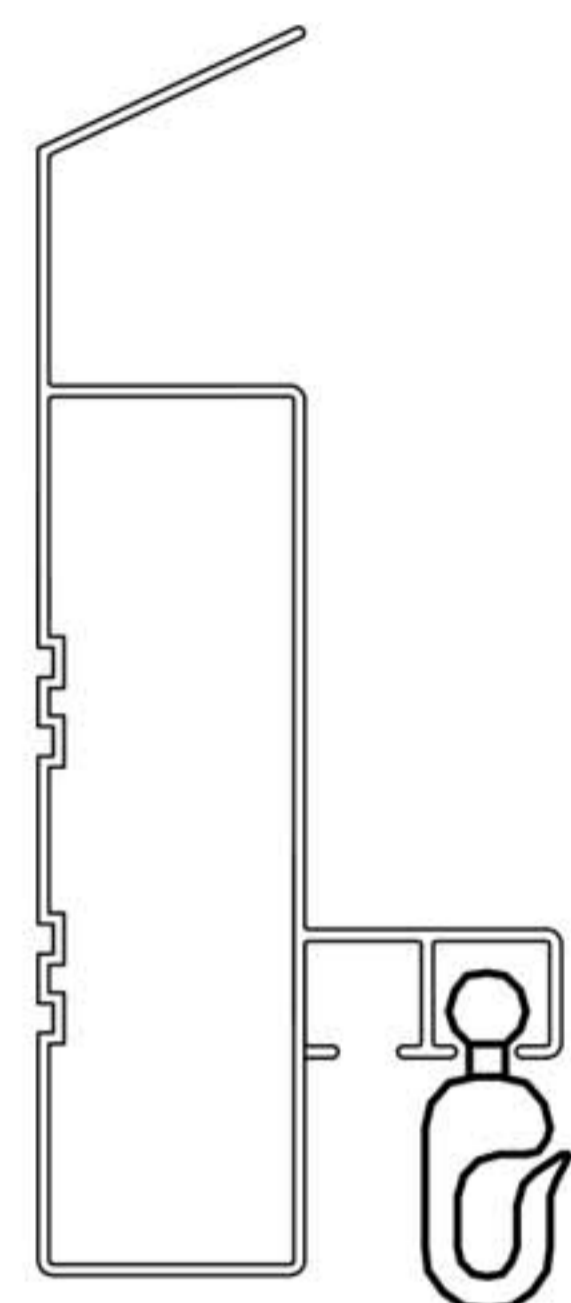
➔ ✉ E-mail: [cs.helper01@gmail.com](mailto:cs.helper01@gmail.com)

# STEP24

Parts required



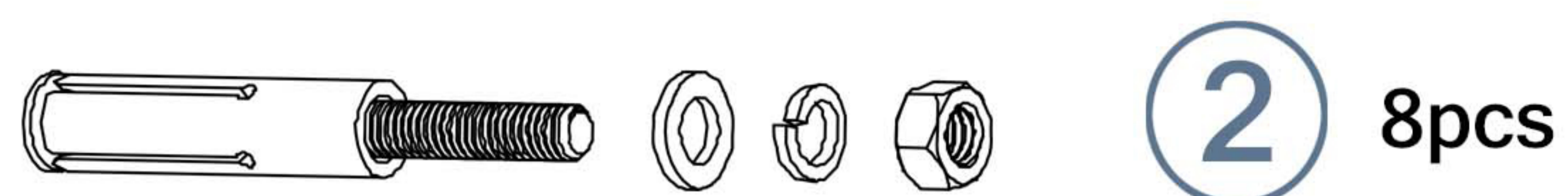
Z1 1pcs



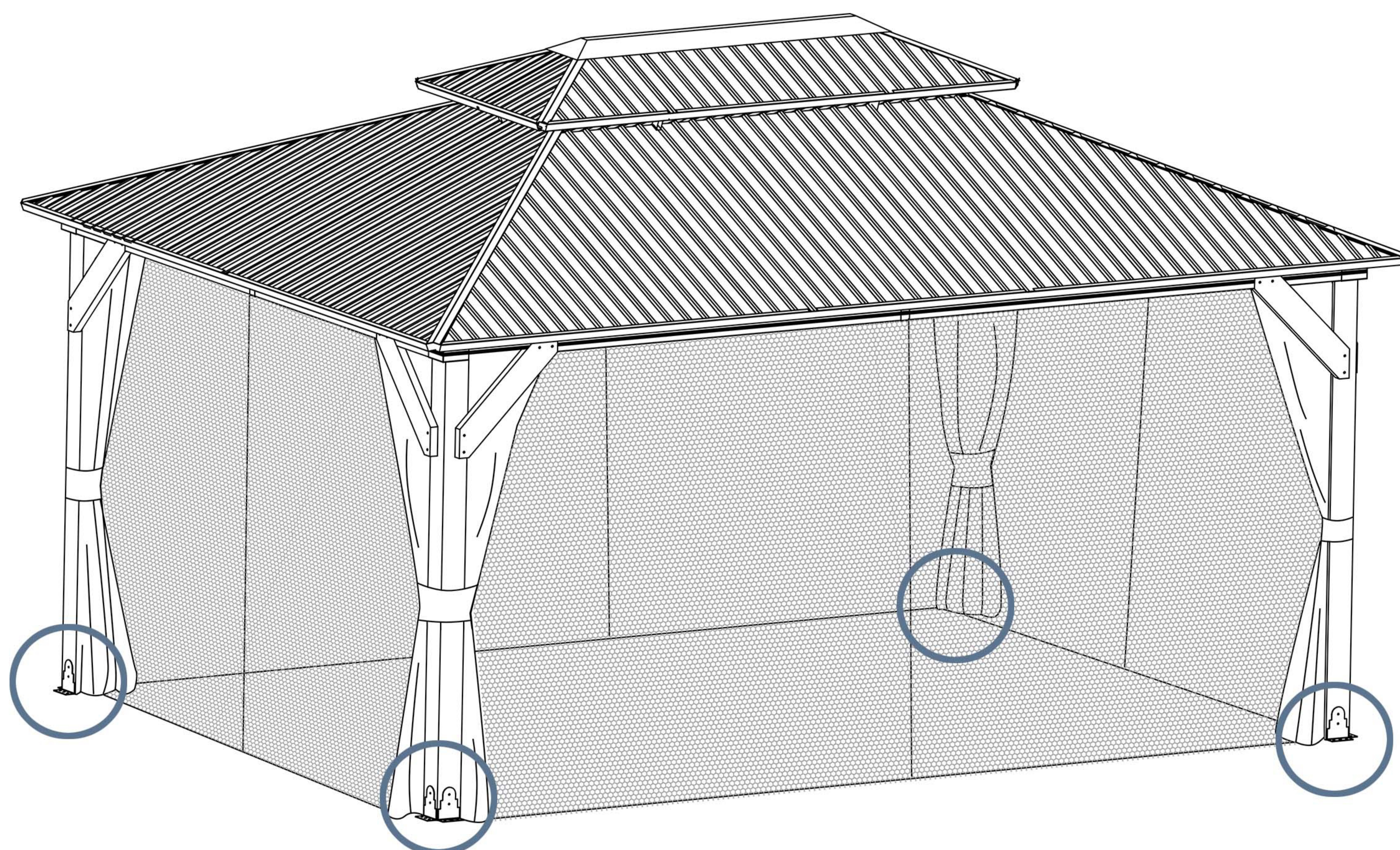
Please take care of the screws and contact the after-sales service if there is any problem with the installation or parts.

# STEP 25

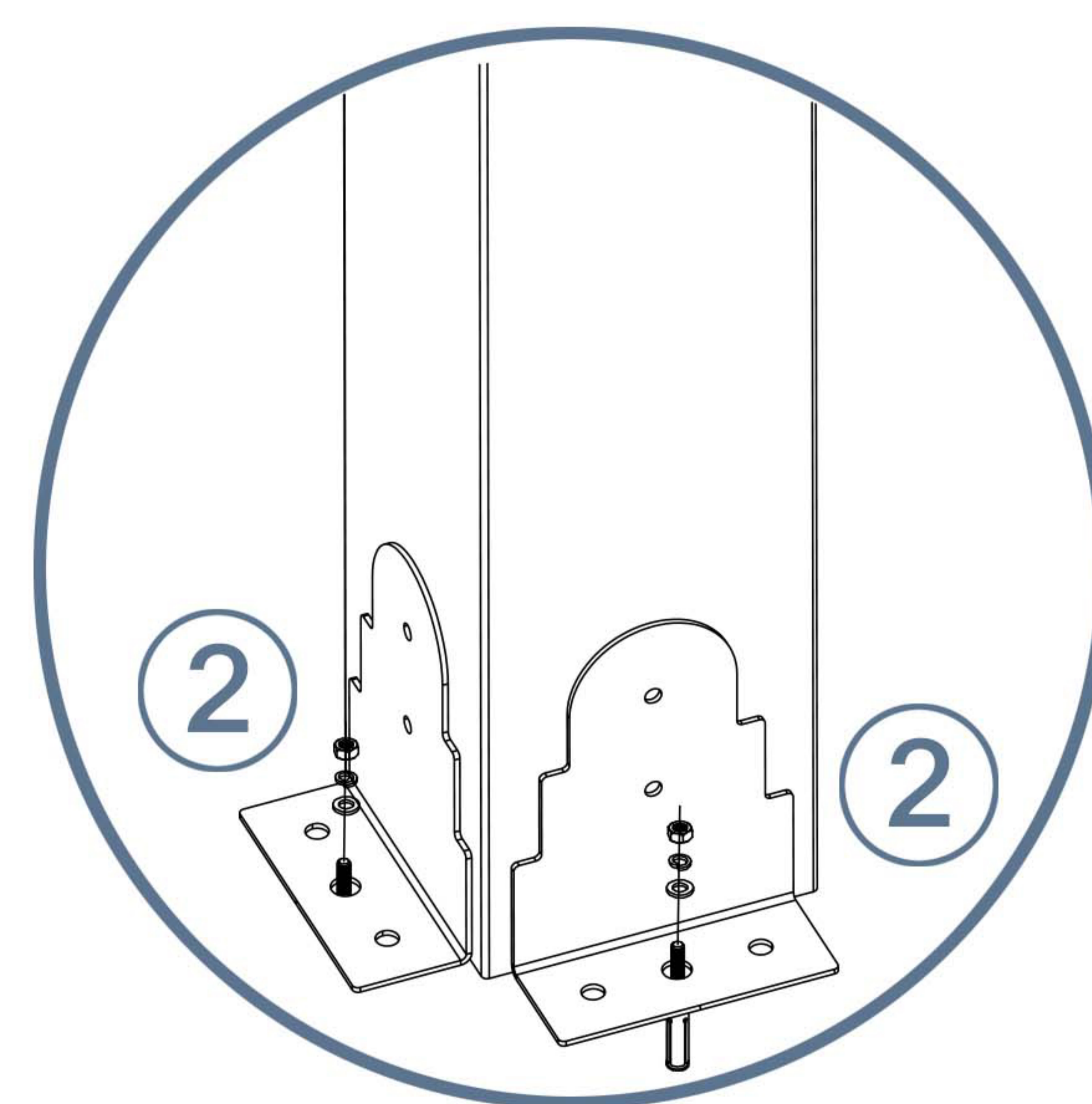
Parts required



To improve stability of gazebo, expansion screws very necessary. Expansion screws use for cement surfaces and have included in the package.



!!! For safety's stake, please check and make sure that all screws are tightened after all installation is complete.



## Installation Completed

Please take care of the screws and contact the after-sales service if there is any problem with the installation or parts.

➔ ✉ E-mail: [cs.helper01@gmail.com](mailto:cs.helper01@gmail.com)

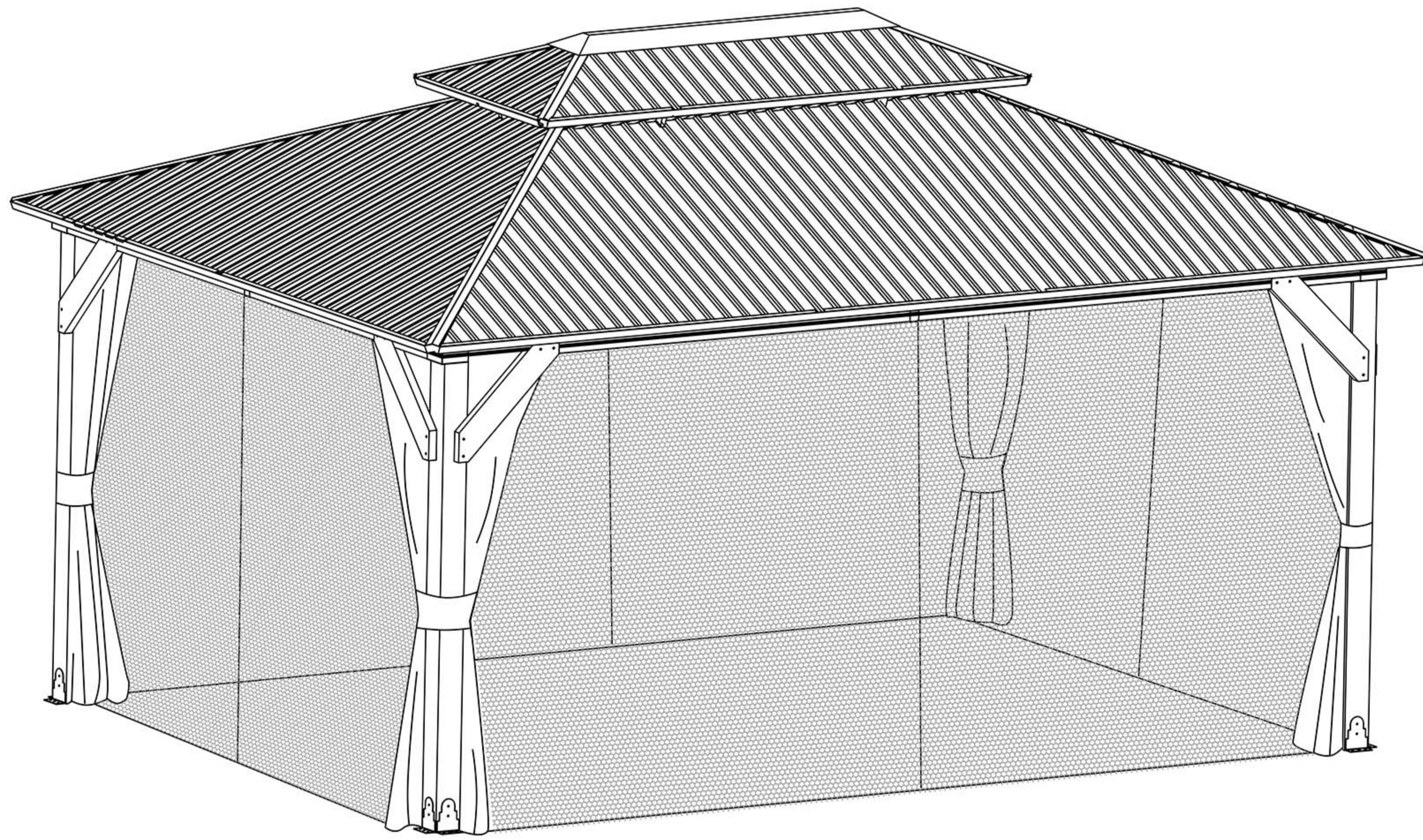
**Hope you enjoy this product.**

If you have any concerns about gazebo Installation, please feel free to contact us. We will reply within 24 hours.



E-mail: [cs.helper01@gmail.com](mailto:cs.helper01@gmail.com)

12X16FT



SKU:A001G054-1  
A001G054-2  
A001G054-3  
A001G054-4  
A001G054-5