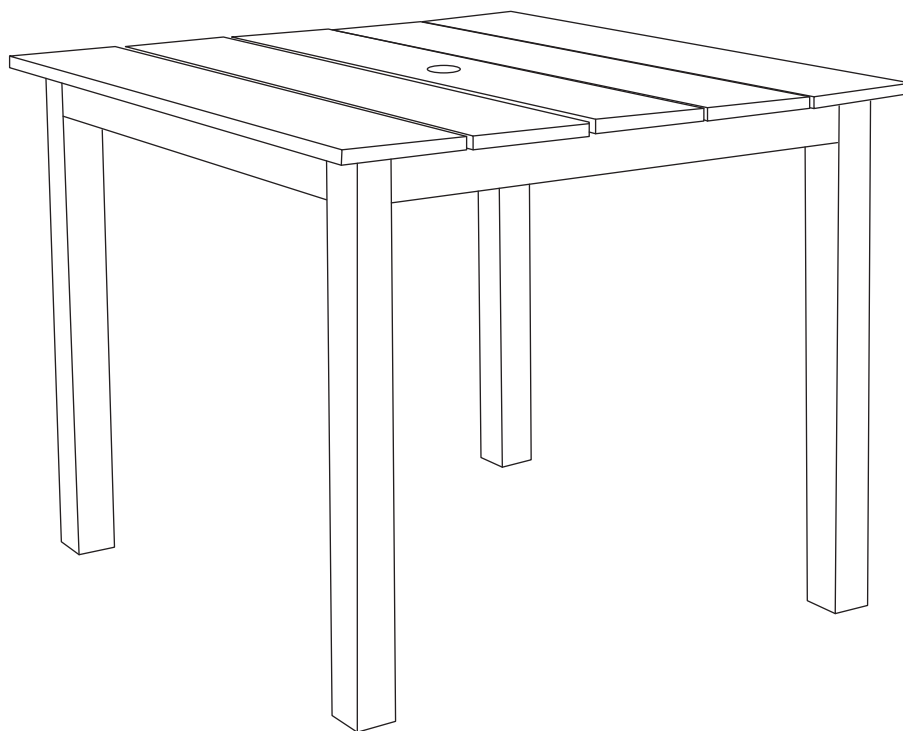


HDPE SQUARE TABLE

Assembly Instructions

A301-0090



Attention
If manual installation using a hex wrench is difficult,
Recommended to use electric
screw tools to install.

Safety & Care Advice

If you need help or have damaged or missing parts please email: service@respect.ink

Important-Please read these instructions fully before starting assembly

Check you have all the components and tools listed on the pages 2.

Remove all fittings from the plastic bags and separate them into their groups.

Keep children and animals away from the work area, small parts may cause choking if swallowed.

Make sure you have enough space to layout the parts before starting.

Assemble on a soft level surface to avoid damaging the unit or your floor.

Do not stand or put weight on the product, this could cause damage.

Assemble the item as close to its final position (in the same area) as possible.

Do not place furniture directly in front of radiators, fires, or any other source of heat.



The assembly will be easier with 2 people while 1 person could also do the job.

Clean & Sanitize Tips

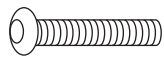
Using damp cloth and mild detergent for routine maintenance, do not use bleach or abrasive cleaners.

- Mix mild dish soap and warm water in a bucket.
- Use a clean cloth to wipe the soapy mixture onto the surfaces of your furniture, cleaning off any dirt.
- For extra cleaning power or to sanitize, mix 1/3 bleach and 2/3 water.
- Apply bleach mixture to furniture with a clean cloth and allow it to sit on the lumber for a few minutes (this will not affect the color).
- Rinse thoroughly using a garden hose with a spray nozzle.

Hardware & Tools

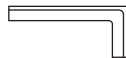
Note: The quantities below are the correct amount to complete the assembly.

① X 8



M8-30mm

② X 1



Hex Key

③ X 1

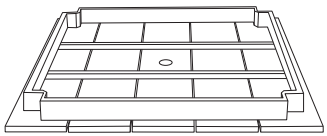
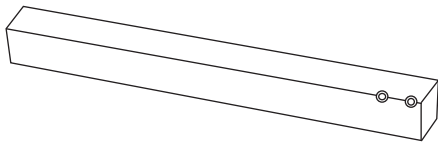


Hole cover

Components

 **Caution: Please do not over-tighten bolts and screws during assembly.**

Note: The illustration of the chair shows the exact position of each part.

A		1pcs	B		4pcs
---	---	------	---	--	------

Assembly Instructions

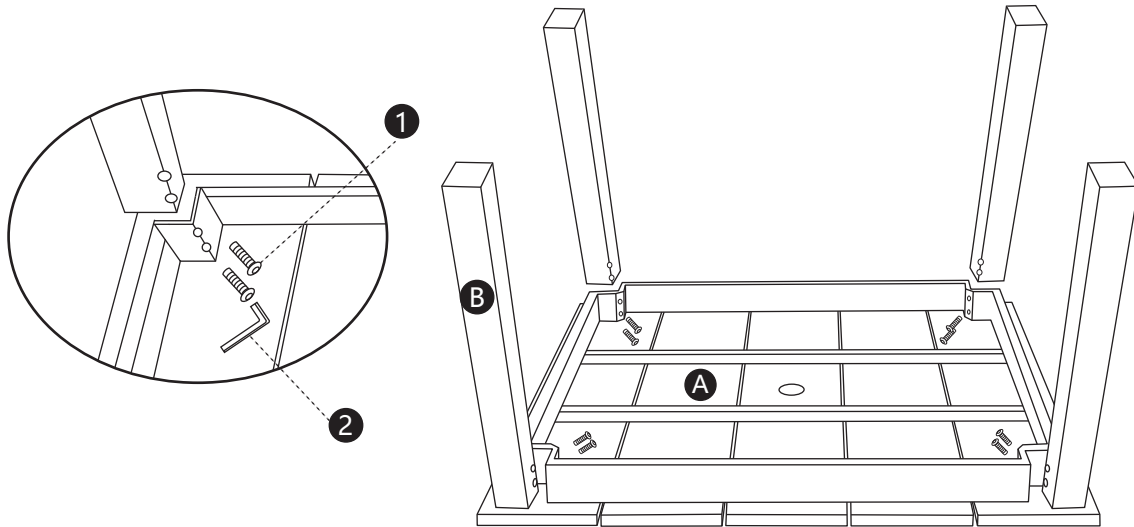
If you need help or have damaged or missing parts please email: service@respect.ink

Important - Please read these instructions fully before starting assembly

! Check when assembling, first secure, then tighten.

STEP 1

Install "(B)" table legs with "(A)", Use "(1)M8-30MM" to secure the parts and tighten them with "(2)Hex key".



STEP 2

Using the "(3)" to seal the hole on "(A)" - This is an umbrella hole suitable for most of patio umbrella, you could unseal it to attach patio umbrella.

