

# ASSEMBLY INSTRUCTIONS

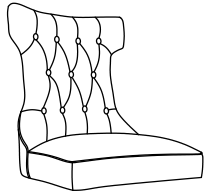
## CHAIR

DIMENSION:W22" x D26.7" x H 40"

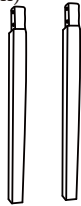
### PART LIST

DO NOT FULLY TIGHTEN SCREWS AND BOLTS UNTIL THE ENTIRE ITEM IS COMPLETELY ASSEMBLED

(A) Back assembly  
(1pc)



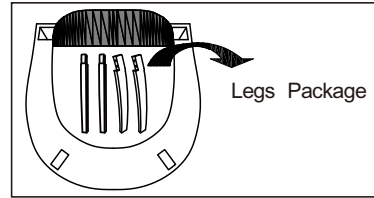
(B) Front legs-(2pcs)  
(put inside seat cushion)



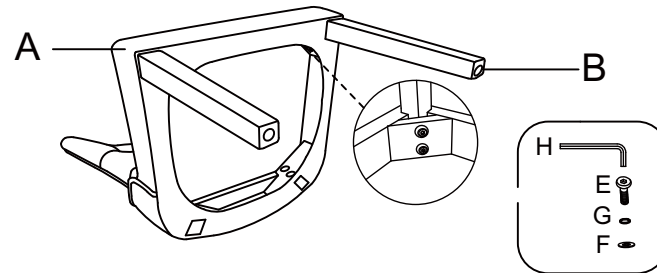
(C) Back legs-(2pcs)  
(put inside seat cushion)



NOTICE

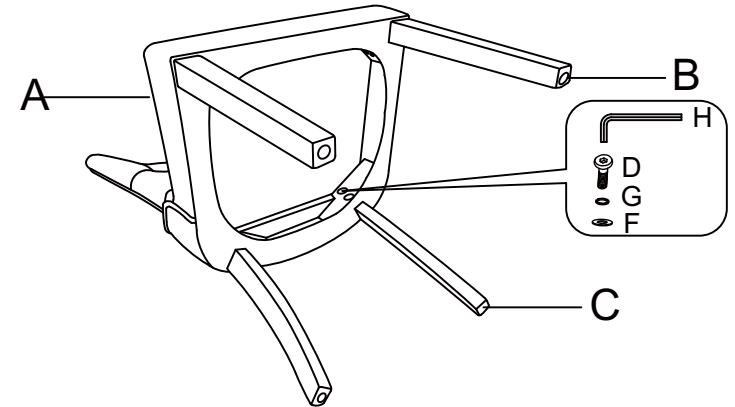


STEP 1



Step1:Put the screws in the holes,tighten the screws,but not too tighten,90% is ok.

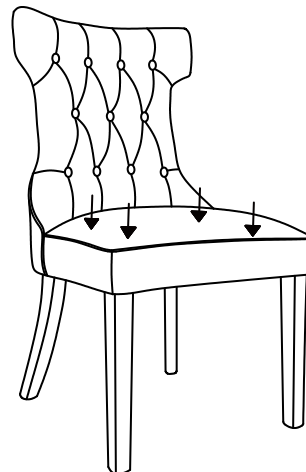
STEP 2



Step 2:Put the screws in the holes,tighten the screws,but not too tighten,80% is ok.

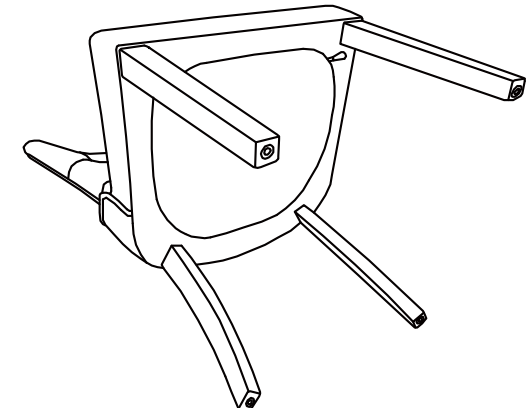
### HARDWARE LIST

STEP 3



Step 3: Then adjust the balance of this chair,tighten all the screws to100%.

STEP 4



Step4 :Finally,stick the non-woven cover underneath the seat.

Screw D



(1) M8X55MM  
(4PCS)

Screw E



(2) M8X65MM  
(4PCS)

Flat washer F



(3) 8pcs

Spring washer G



(4) 8pcs

Allen key H



M8  
(5) 1PC