

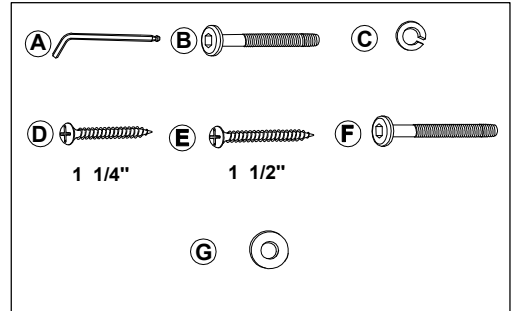
**ASSEMBLY INSTRUCTION &
PARTS IDENTIFICATION**

FURNITURE

CHAIR & STUDY DESK

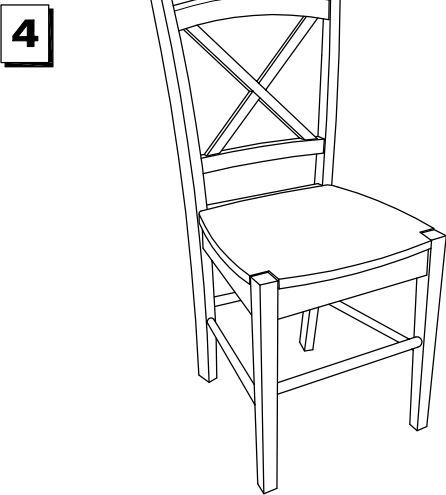
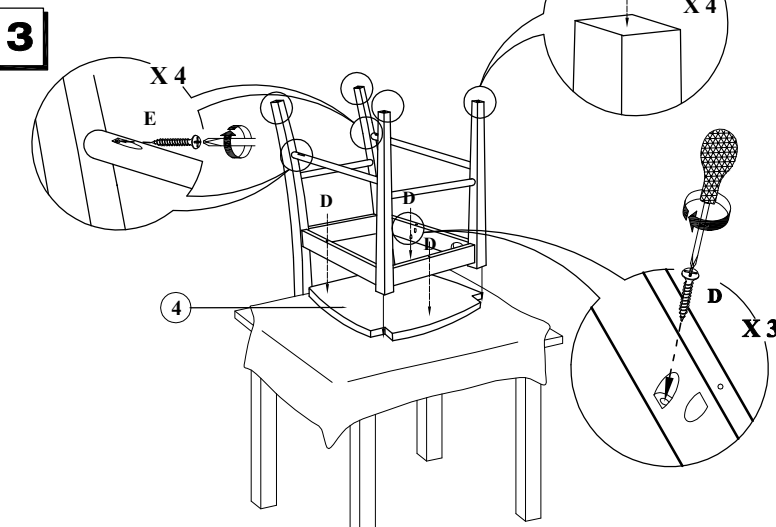
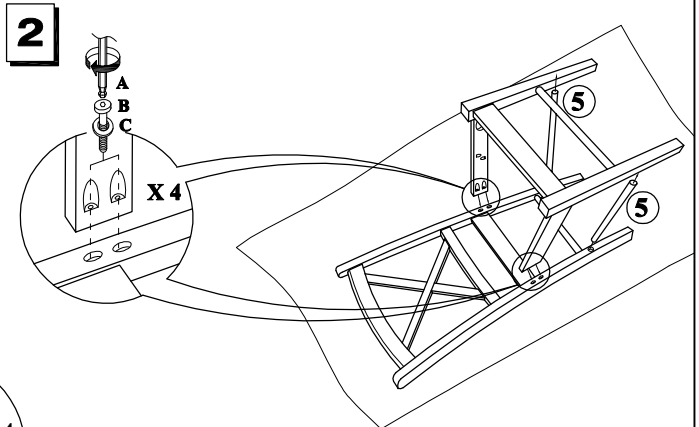
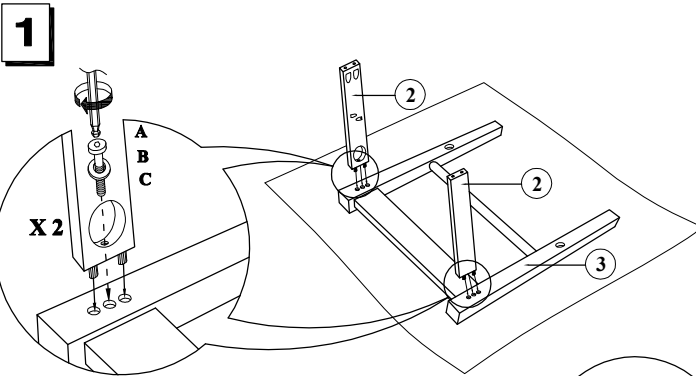
| CHAIR HARDWARE KIT | | |
|--------------------|-----|--------------------------|
| No. | Qty | Description |
| A | x 1 | Allen Key M4 X 110mm |
| B | x 6 | Chair Bolt M6 X 50mm |
| C | x 6 | Spring Washer 1/4" |
| D | x 3 | Pan Head CBS #8 x 1 1/4" |
| E | x 4 | Pan Head CBS #8 x 1 1/2" |

| DESK HARDWARE | | |
|---------------|-----|----------------------|
| No. | Qty | Description |
| A | x 1 | Allen Key M4 X 110mm |
| F | x 8 | JCBC Bolt M6 X 60mm |
| G | x 8 | Flat Washer 5/16" |
| C | x 8 | Spring Washer 1/4" |

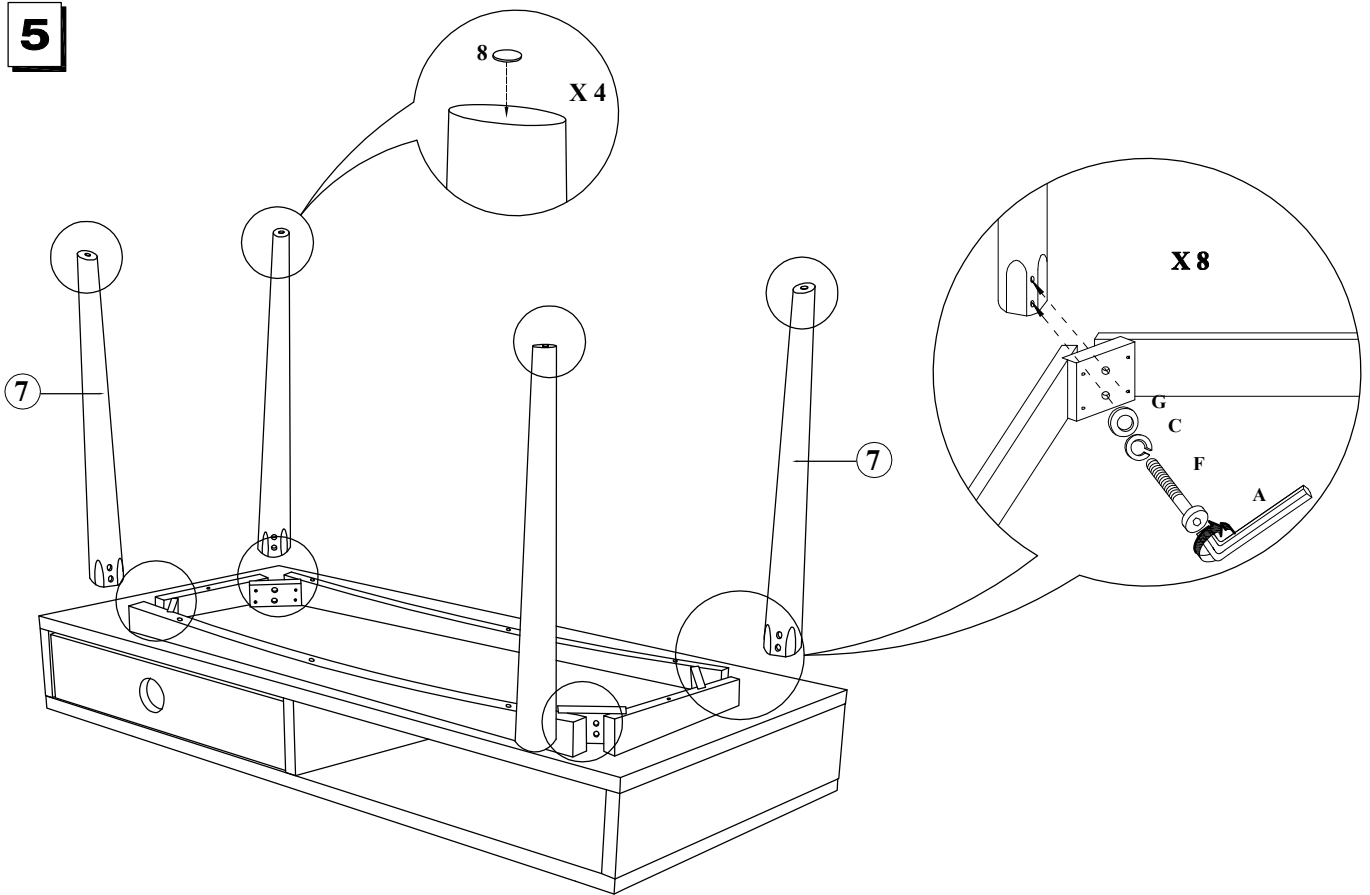


| PART KEY | |
|----------|--------------------|
| Qty | Description |
| 1 pc | Chair Back |
| 2 pcs | Seat Frame |
| 1 pc | Front Leg Assembly |
| 1 pc | Chair Seat |
| 2 pcs | Side Stretcher |
| 1 set | Desk Drawer |
| 4 pcs | Desk Leg |
| 8 pcs | Floor Glide |

NOTE : DO NOT FULLY TIGHTEN CONNECTIONS UNTIL CHAIR SITS LEVEL ON THE FLOOR OF INTENDED USE. ONCE CHAIR IS LEVEL, BE SURE TO TIGHTEN ALL BOLTS.



5



6

