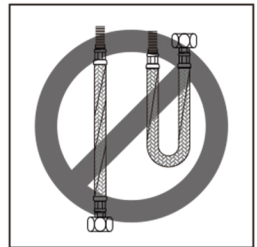
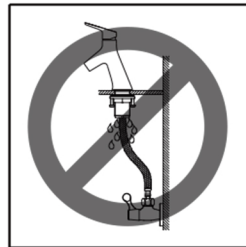
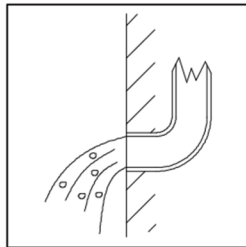
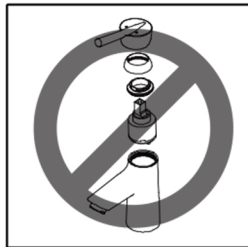


Installation precautions

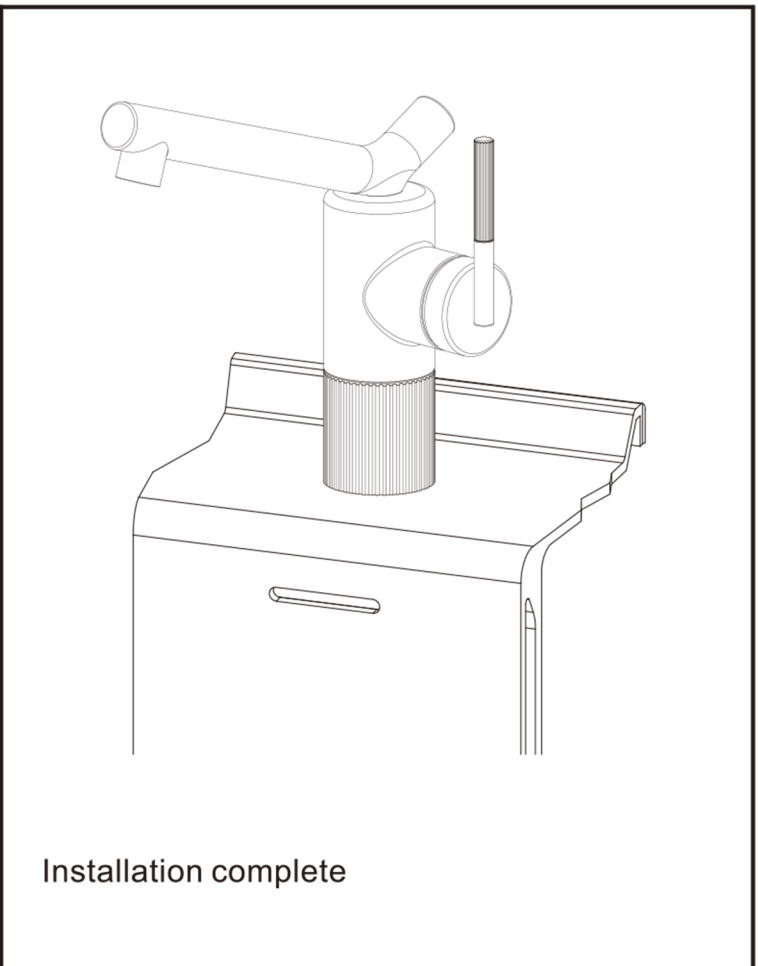
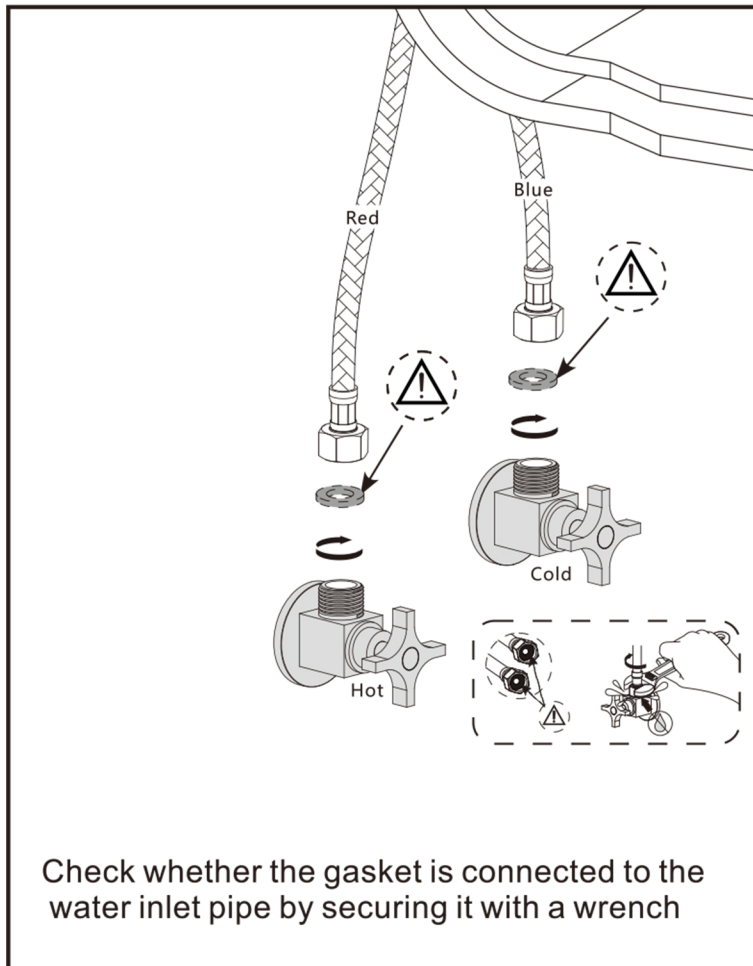
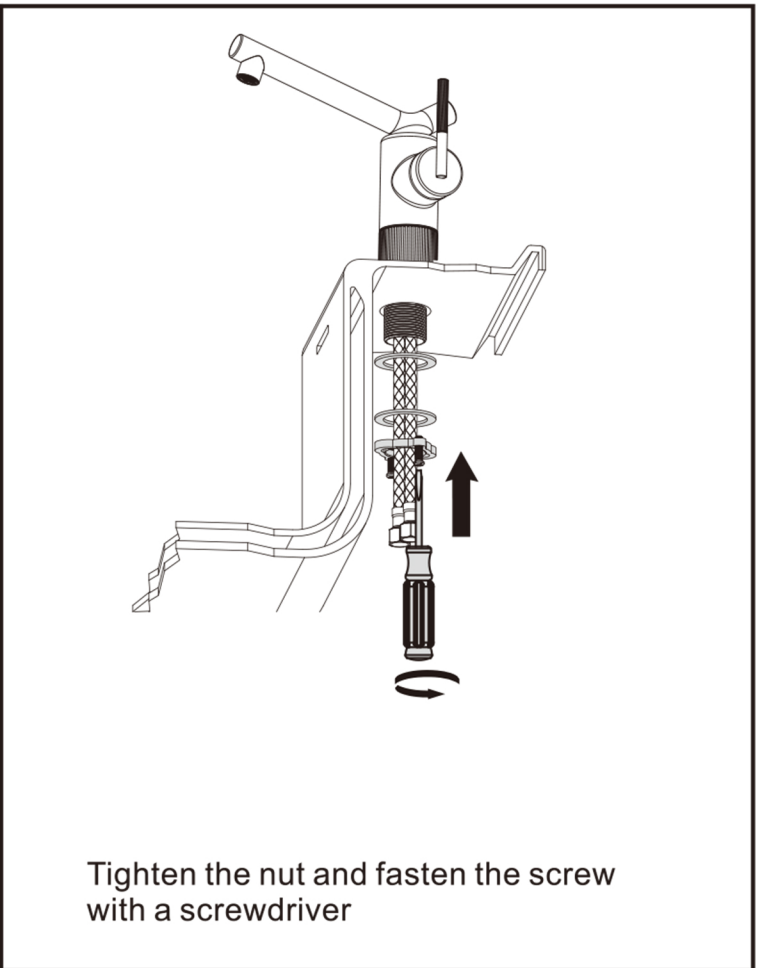
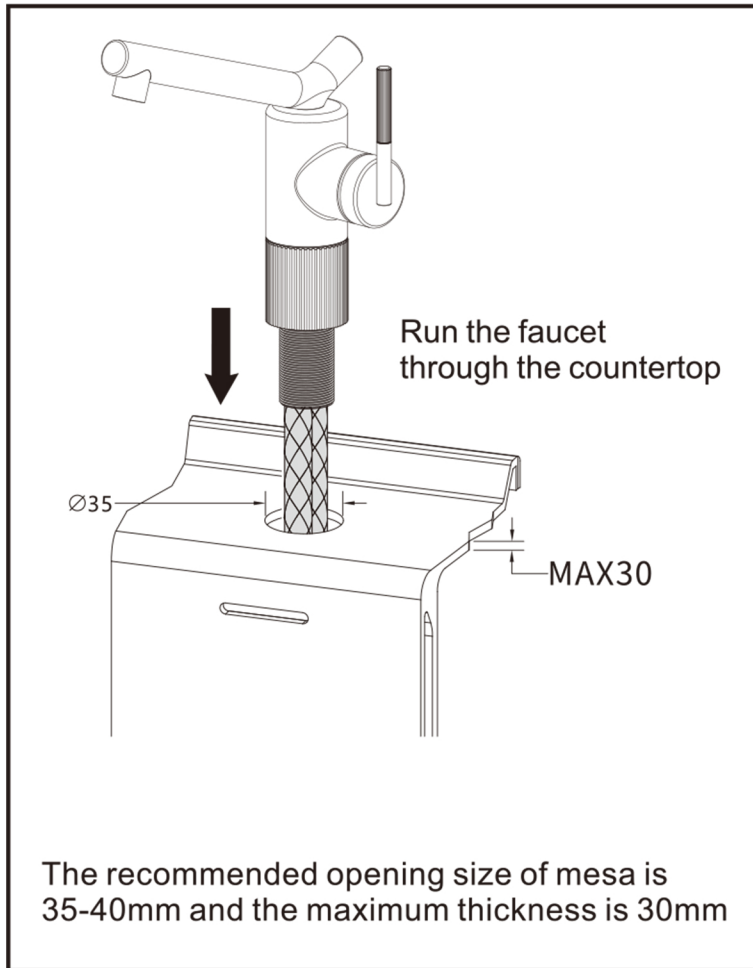
- a) After opening the product package, please check the completeness of the parts listed in the "Standard Parts List". If there are any defects, please contact your local dealer immediately.
- b) The main part of the faucet has been tested and debugged by the factory. Do not disassemble it by yourself to avoid affecting the performance.
- c) Red and blue plastic wrenches were added to the supply hoses; make sure that the blue one is connected to the right supply valve and the red one to the left valve.
- d) Before installing the faucet, make sure to remove any impurities or sludge in the buried pipeline so as not to block or affect the water output function.
- e) The internal structure of the faucet contains components that are susceptible to high temperatures such as silica gel. Do not install it in high temperature environments or use it at a water temperature exceeding 90°C for a long time.
- f) The faucet functions at a minimum water pressure of 0.5 bar to 7.5 bar maximum.
- g) Do not bend the hose excessively. Make sure that it is not deformed after installation.



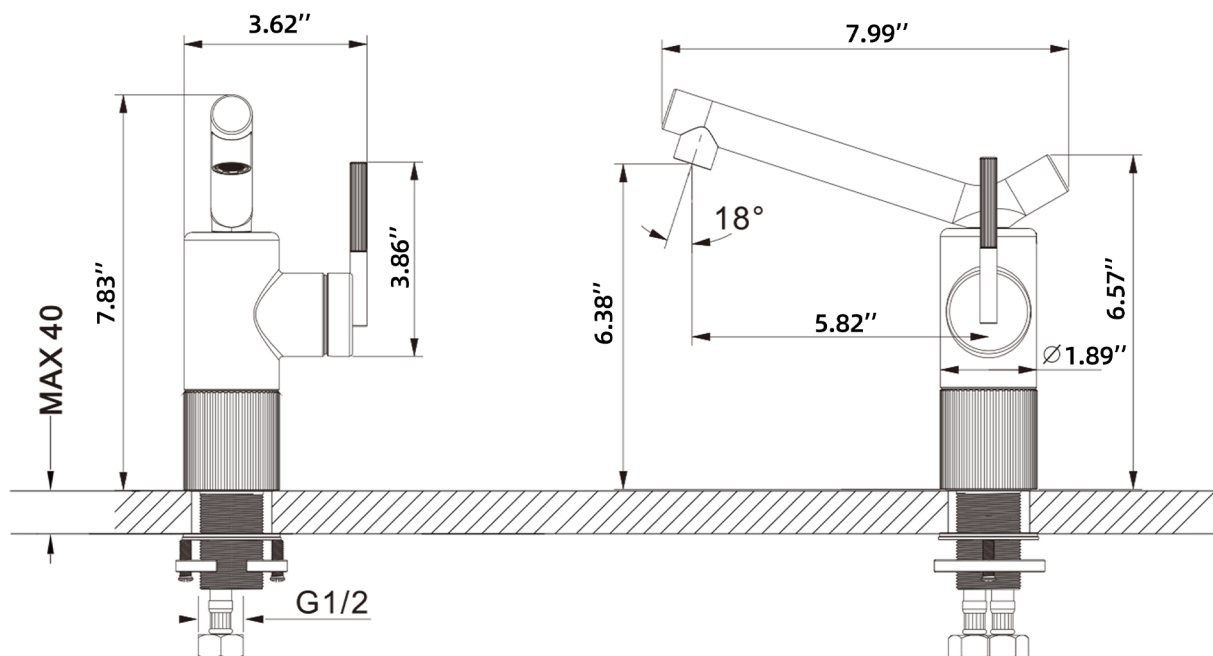
Installation precautions

	No	Part name	Quantity
	1	Main Body	1
	2	Decorative base	1
	3	Silicone gasket	1
	4	Silicone gasket	1
	5	Stainless steel gasket	1
	6	Retaining nut	1
	7	Inlet hose	2
8	Instruction manual	1	

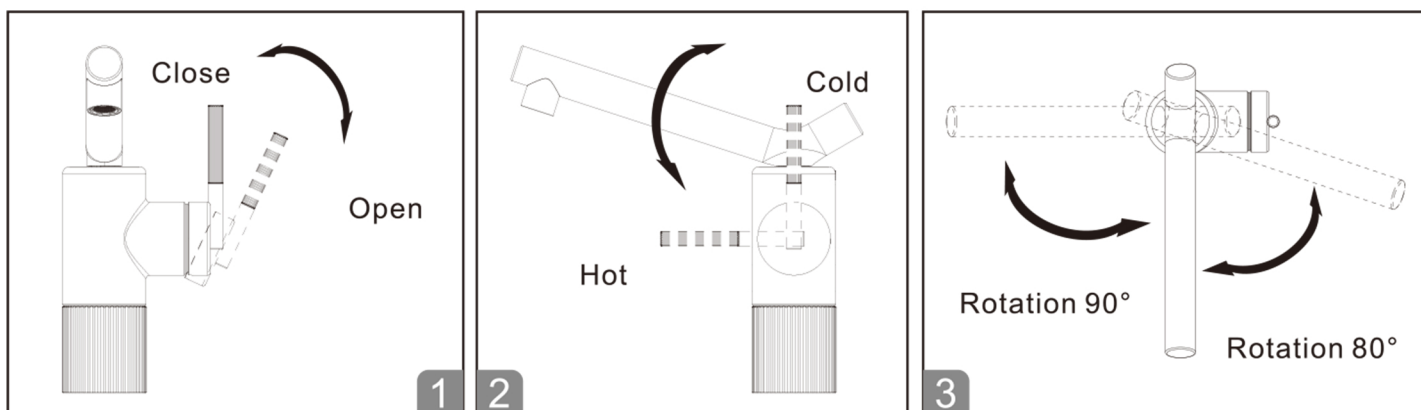
INSTALLATION STEPS



Product size



Usage method



Care and maintenance

1. Wash the surface of the faucet frequently with water, and then dry it with a cotton cloth
2. It is strictly prohibited to use acid cleaning agent to corrode the faucet surface and affect the service life
3. It is strictly forbidden to disassemble each part of the faucet by itself, which can easily cause the risk of water seepage
4. If the tap water output becomes smaller, check whether the inlet pipe and bubbler are blocked by scale and clean up