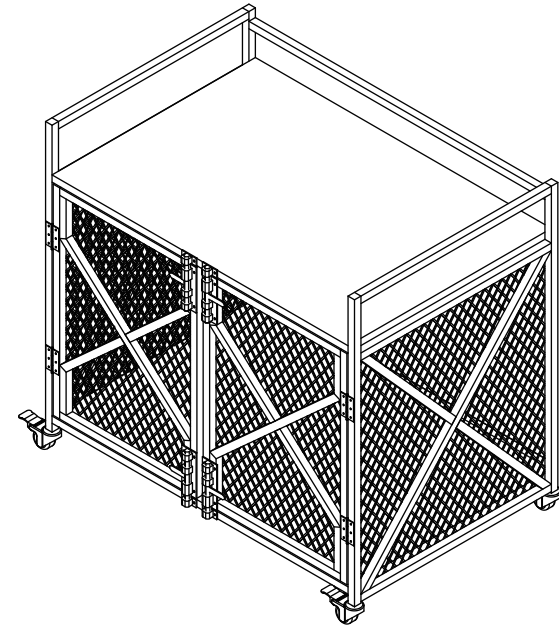


ASSEMBLY INSTRUCTIONS

PLEASE RETAIN THIS INSTRUCTIONS FOR FUTURE REFERENCE



TIME: 30-60 minutes



NUMBER OF PEOPLE: 2

Greeting!
So here I am

your new pet house

- ▶ Thanks for letting me be a home for your furry friend(s).
- ▶ They'll be cozy and protected from the weather when they're with me.
- ▶ Just remember to take care of me too, so I can last a long time.
- ▶ When you open the box, you might smell a funny smell. Don't worry, it's not dangerous,
- ▶ Just let me air out for a few days and the smell will go away.
- ▶ Be careful when you're putting me together because some of my parts can be sharp or heavy.
- ▶ Make sure all the screws are tight during installation and double-check that they're all secure before using me.
- ▶ If you notice anything broken or missing, stop using me until it's fixed. and please follow the instructions from my maker so your warranty stays good.
- ▶ You can use me indoors or outdoors, but if you place me outside, please remember to protect me from prolonged exposure to rain. If it's raining heavily, be sure to cover me to ensure my longevity.
- ▶ Remember to place and use me on a flat surface to make sure it's put together correctly and works well.
- ▶ Keep me away from fire and dangerous chemicals.
- ▶ Clean me with a damp, soapy sponge without corrosive agents.
- ▶ Dry me with a soft, clean, dry cloth.
- ▶ Do not cleaning me with high pressure.
- ▶ Do not put bleach, acids, solvents, or abrasive cleaners on me.
- ▶ Check that all my bolts, screws, and knobs are tight every 90 days.



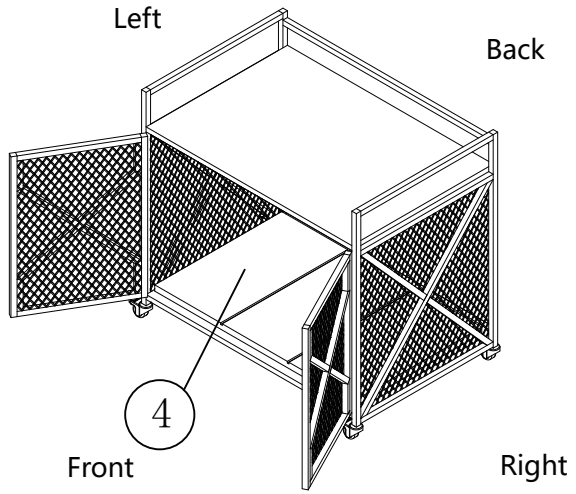
HELP CENTER

- ▶ Your full satisfaction is our **FIRST** priority.
- ▶ We hope you enjoy it and have a good shopping experience.
- ▶ We are committed to resolve any issue when the item does not meet your expectations.
- ▶ Please feel free to contact us through order detail page, we will get back to you and solve them within 24 hours.



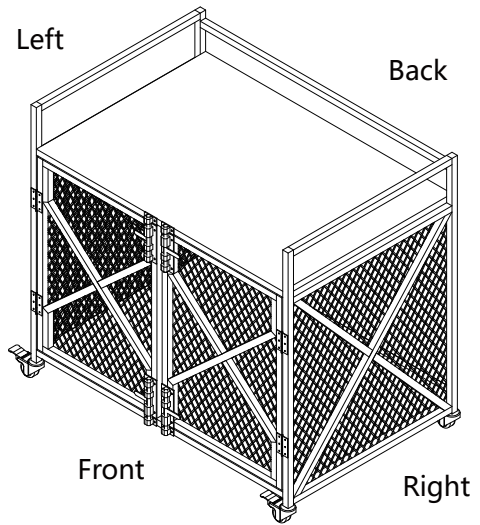
WARNING:

Manufacturer and seller expressly disclaim any liability for personal injury, property damage, or loss, whether direct, indirect, or incidental, resulting from incorrect attachment, improper use, inadequate maintenance, or neglect of this.

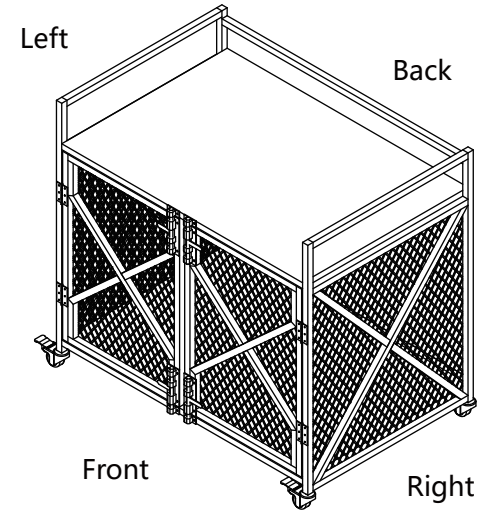
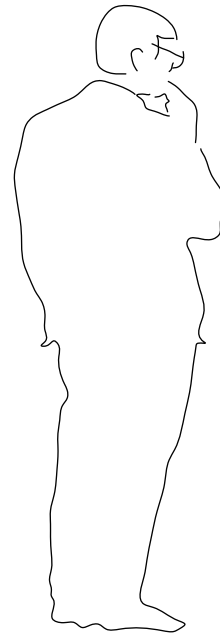


Put in ④ Mat.

STEP 9

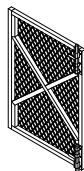
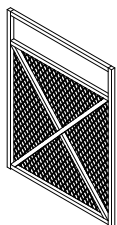
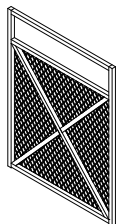


STEP 10

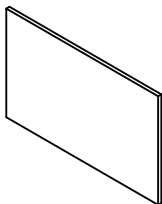
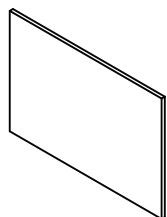
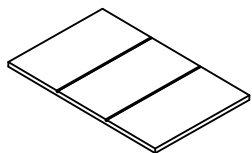


ASSEMBLY INSTRUCTION

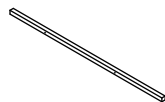
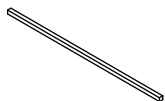
Tool Required:  Electric Drill  Phillips Screwdriver



① Left panel ② Right panel ③ *2 Front doors

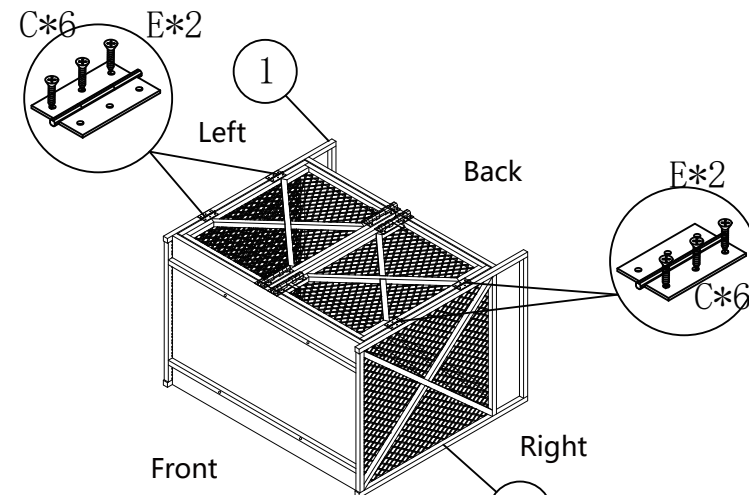


④ Mat ⑤ *2 Layer panels ⑥ Back panel




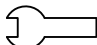
⑦ Connect bar ⑧ *6 Connect bars

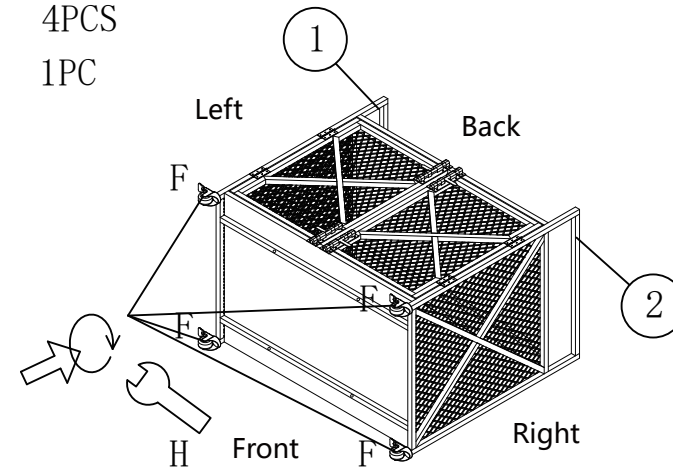
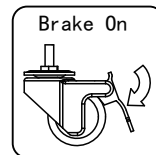
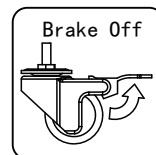
C M4*14 12PCS



Fix (E)*2 Hinges on ① Left panel with screws.
Fix (E)*2 Hinges on ② Right panel with screws.

STEP 7

F  4PCS
H  1PC

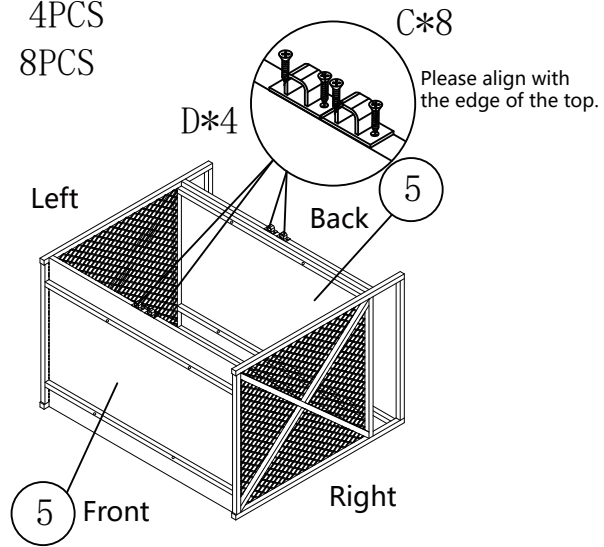


The product will only come to a complete stop when the brakes on all four casters are engaged. Please select the liked placement before engaging all the brakes.

Fix (F)*2 Wheels on ① Left panel with (H) spanner
Fix (F)*2 Wheels on ② Right panel with (H) spanner

STEP 8

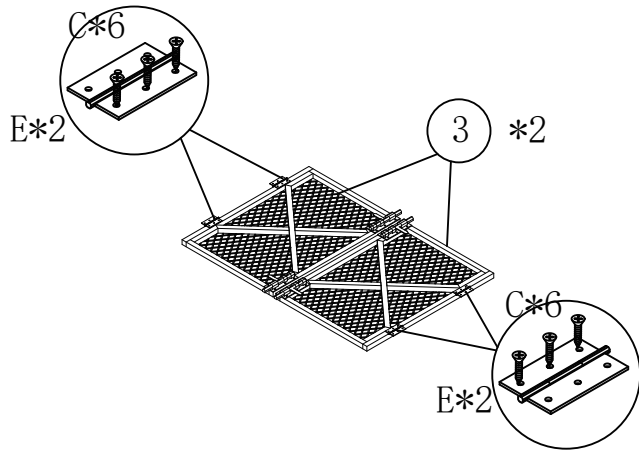
D  4PCS
 C M4*14 8PCS



Fix (D)*2 on ⑤ Layer panel with screws.
 Fix (D)*2 on ⑤ Layer panel with screws.

STEP 5


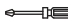
E  4PCS
 C M4*14 12PCS



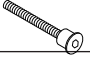
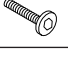
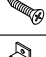



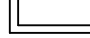
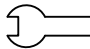
Fix (E)*4 Hinges on ③*2 Front doors with screws.

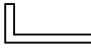
STEP 6

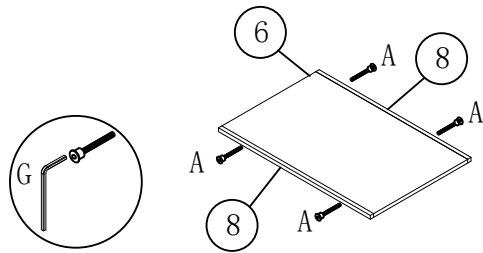
ASSEMBLY INSTRUCTION

Tool Required:  Electric Drill  Phillips Screwdriver

Parts Description


| | | |
|---|---------|-------|
|  | A M6*40 | 8PCS |
|  | B M5*25 | 22PCS |
|  | C M4*14 | 32PCS |
|  | D | 4PCS |
|  | E | 4PCS |
|  | F | 4PCS |
|  | G | 1PC |
|  | H | 1PC |

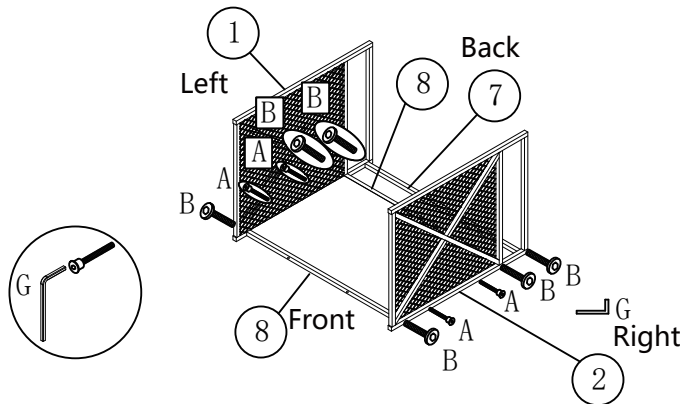
- G  1PC
- A M6*40 4PCS



Fix ⑧*2 Connect bars and ⑥ Back panel with screws.

STEP 1


- A M6*40 4PCS
- B M5*25 6PCS
- G  1PC

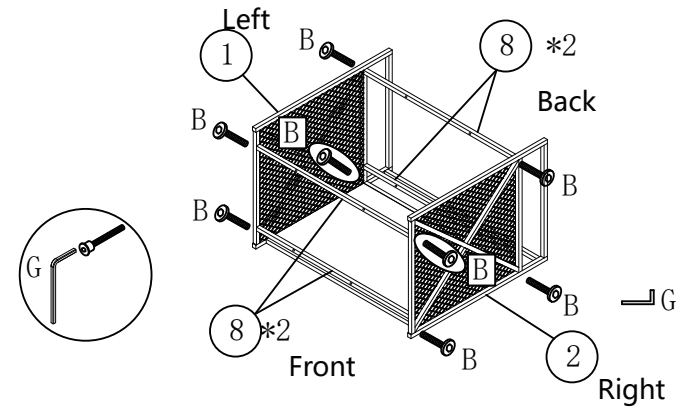


Fix ① Left panel and ② Right panel on ⑧*2 Connect bars with screws.

Fix ⑦ Connect bar on ① Left panel and ② Right panel with screws.


STEP 2

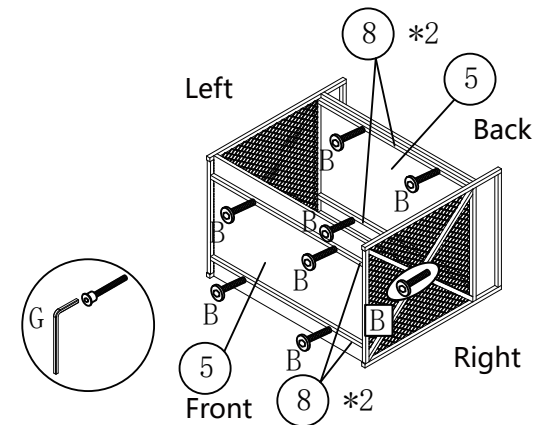
- B M5*25 8PCS
- G  1PC



Fix ⑧*4 Connect bars on ① Left panel and ② Right panel with screws.

STEP 3

- G  1PC
- B M5*25 8PCS



Fix ⑤ Layer panels on ⑧*2 Connect bars with screws.

Fix ⑤ Layer panels on ⑧*2 Connect bars with screws.

STEP 4