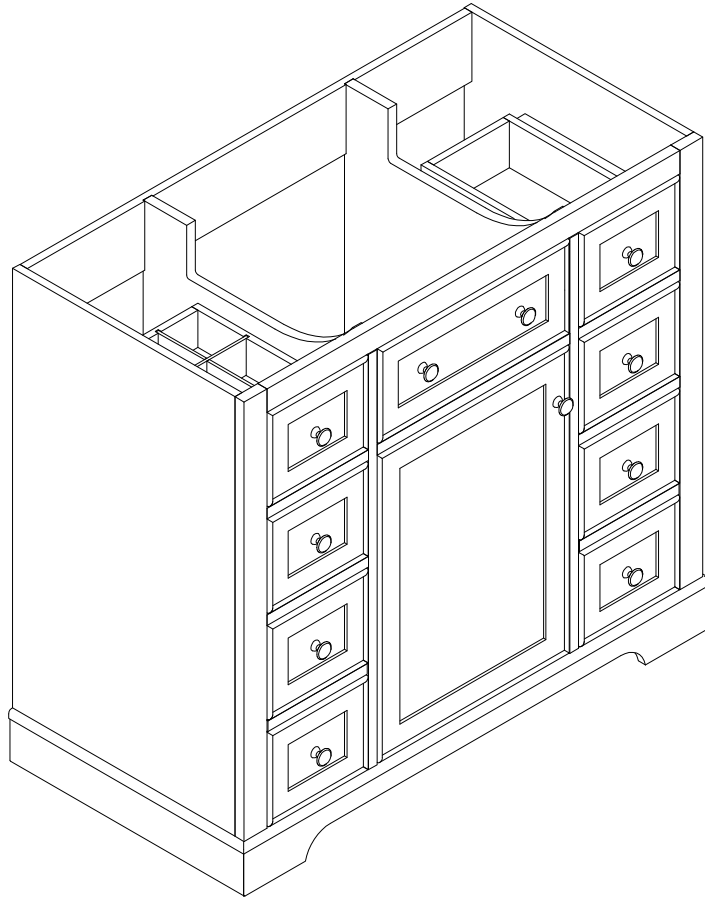


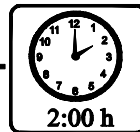
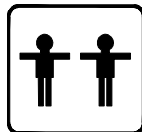
ASSEMBLY INSTRUCTIONS

BATH VANITY-CABINET

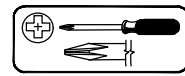


Thank you for purchasing this quality product. Be sure to check all packing material carefully for small parts which may have come loose inside the carton during shipment. Separate, identify and count all parts and hardware. Compare with the parts list to be sure all parts are present.
"DO NOT TIGHTEN SCREWS UNTIL COMPLETELY ASSEMBLED"

*** Use of power tool to assemble this product will invalidate any claim and damage this product making unsafe !!!**
*** Please assemble on a clean soft surface to avoid damage.**



Tools Required



(Not included)



(Not included)

IMPORTANT:

PLEASE READ INSTRUCTION BEFORE STARTING THE ASSEMBLY

Thank you for buying our products.

Please read the installation manual carefully before installation,

we need you to follow the instructions on the accessories and hardware

step by step assembly complete, our instructions are very detailed.

Products are environmentally friendly products,

Please rest assured that you do not soak in water, do not place very heavy items,

do not malicious push and pull,

if you have any problems in the process of assembly and use, please contact us.

Thank you again for your purchase of our products,

I wish you a happy life.

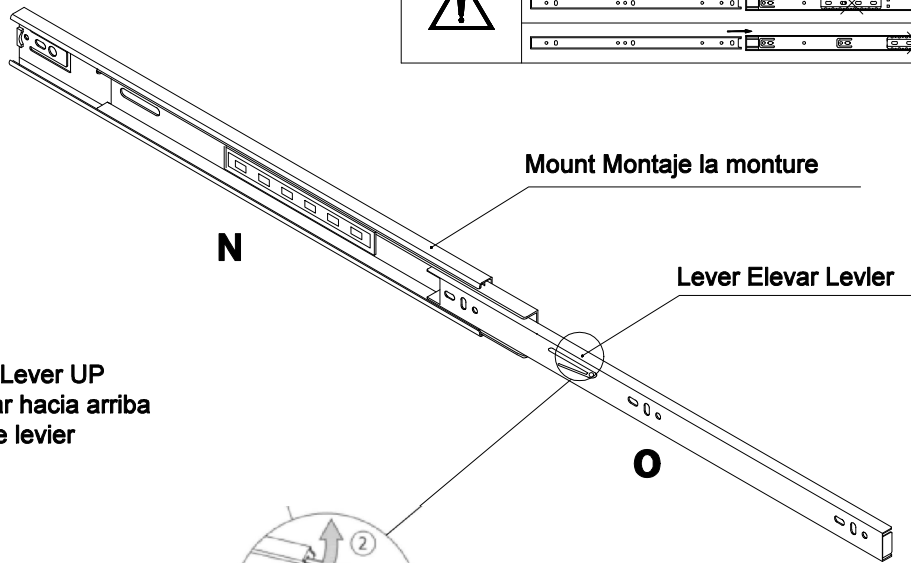
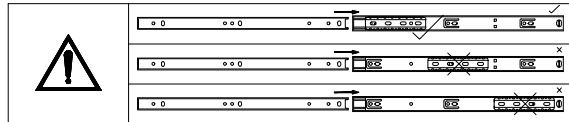
**Slides Must Be Separated Before Assembly.
After Separated, Set Aside Until Needed for Assembly.**

Las diapositivas deben separarse antes del montaje.
Después de la separación, déjelo a un lado hasta que sea necesario.

Les glissières doivent être séparées avant l'assemblage.
Après la séparation, mettez de côté jusqu'au moment de l'assemblage.

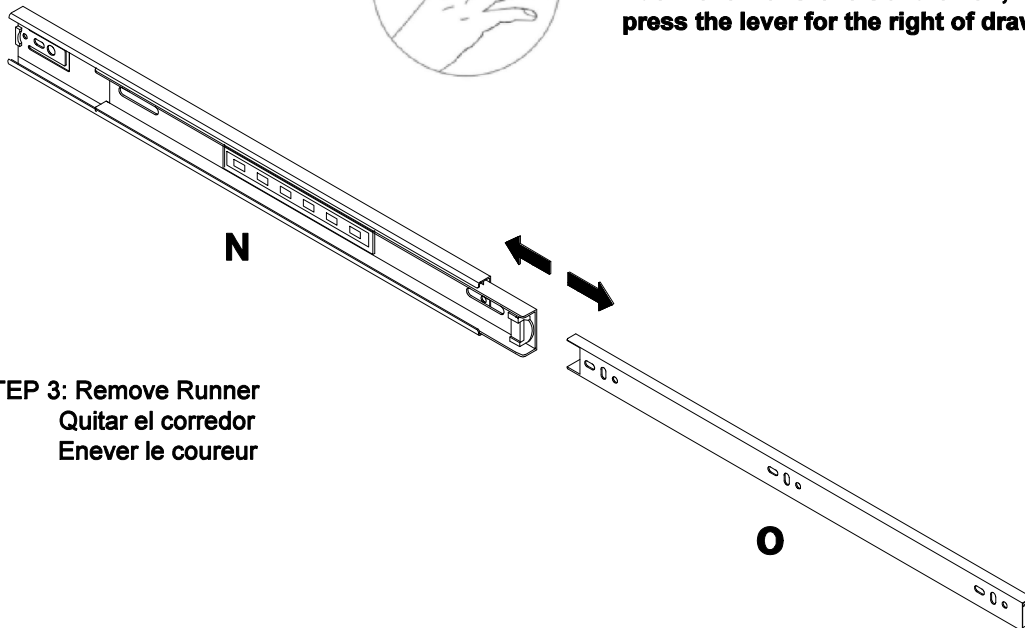
**Pay attention when connecting !
The sliding module must be at the front end.**

**STEP 1 : Extend Slide
Extender la diapositiva**



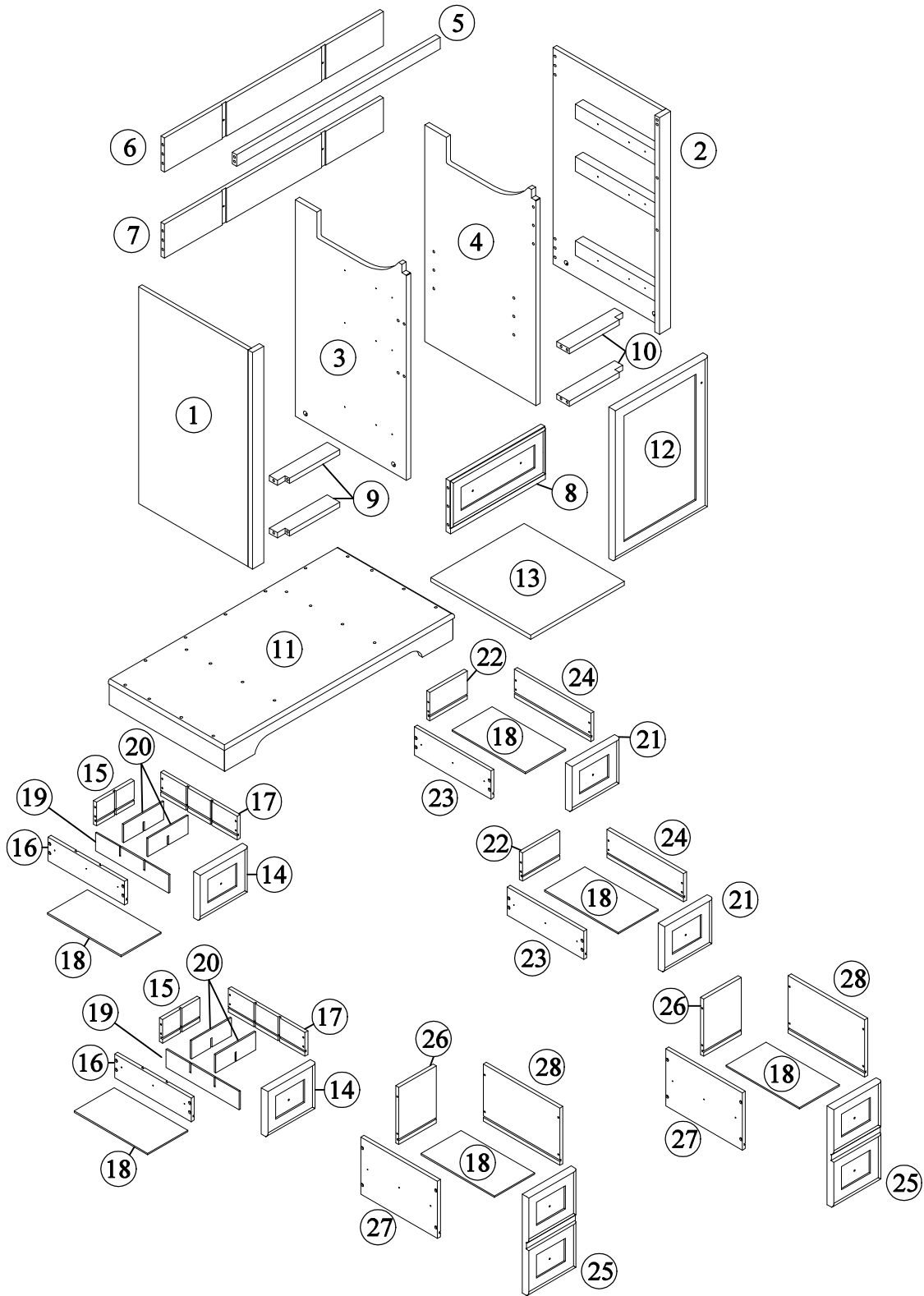
**STEP 2: Push Lever UP
Empujar hacia arriba
Lever le levier**

**Push lever for the left of drawer ,
press the lever for the right of drawer.**



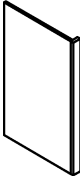
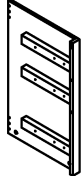
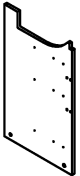
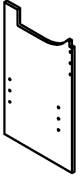
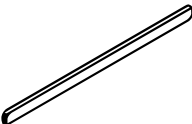
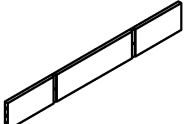
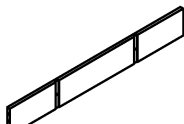
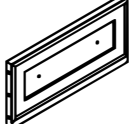
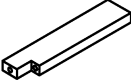
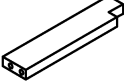
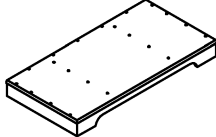
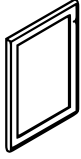
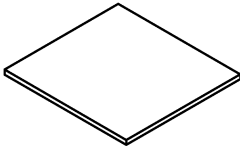
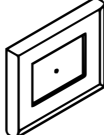
**STEP 3: Remove Runner
Quitar el corredor
Enlever le coureur**

Detail View - CABINET

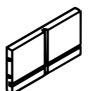
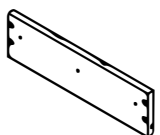
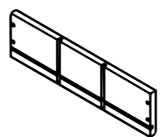
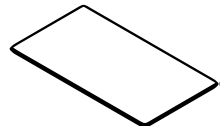
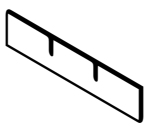
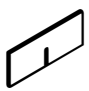
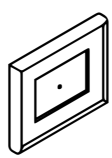
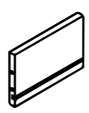
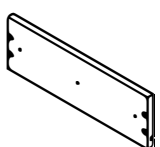
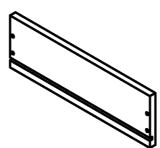
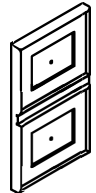
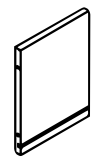
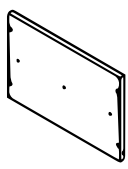
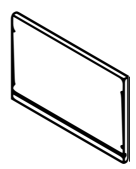


Identifying the Hardware-Identify the hardware using the illustrations below.



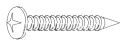
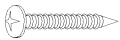

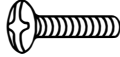




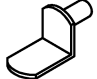
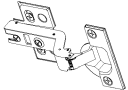


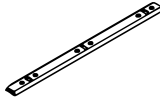


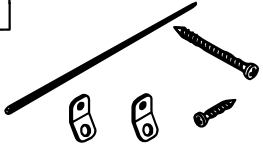
Part List

<p>1</p>  <p>Side Panel (L) - 1pc</p>	<p>2</p>  <p>Side Panel (R) - 1pc</p>
<p>3</p>  <p>Panel Mid (L) - 1pc</p>	<p>4</p>  <p>Panel Mid (R) - 1pc</p>
<p>5</p>  <p>Crossbar Top - 1pc</p>	<p>6</p>  <p>Rear Panel Top - 1pc</p>
<p>7</p>  <p>Rear Panel Bottom - 1pc</p>	<p>8</p>  <p>Front Panel Top - 1pc</p>
<p>9</p>  <p>Crossbar Left - 2pcs</p>	<p>10</p>  <p>Crossbar- 2pcs</p>
<p>11</p>  <p>Frame Bottom - 1pc</p>	<p>12</p>  <p>Door - 1pc</p>
<p>13</p>  <p>Adjustable Shelf - 1pc</p>	<p>14</p>  <p>Left Drawer Face - 2pcs</p>

Part List

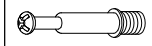
<p>15</p>  <p>Left Drawer Rear - 2pcs</p>	<p>16</p>  <p>Left Drawer Side (L) - 2pcs</p>
<p>17</p>  <p>Left Drawer Side (R) - 2pcs</p>	<p>18</p>  <p>Drawer bottom - 6pcs</p>
<p>19</p>  <p>Drawer divide (A) - 2pcs</p>	<p>20</p>  <p>Drawer divide (B) - 4pcs</p>
<p>21</p>  <p>Right Drawer Face - 2pcs</p>	<p>22</p>  <p>Right Drawer Rear - 2pcs</p>
<p>23</p>  <p>Right Drawer Side (L) - 2pcs</p>	<p>24</p>  <p>Right Drawer Side (R) - 2pcs</p>
<p>25</p>  <p>Big Drawer Face - 2pcs</p>	<p>26</p>  <p>Big Drawer Rear - 2pcs</p>
<p>27</p>  <p>Big Drawer Side (L) - 2pcs</p>	<p>28</p>  <p>Big Drawer Side (R) - 2pcs</p>

Hardware List

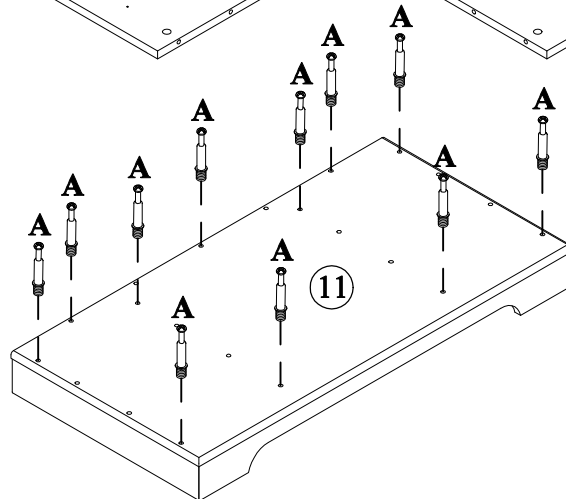
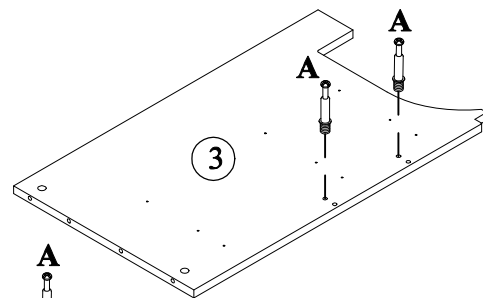
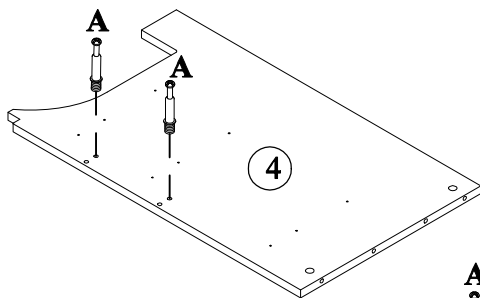
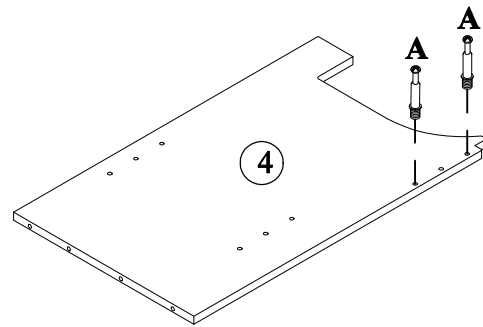
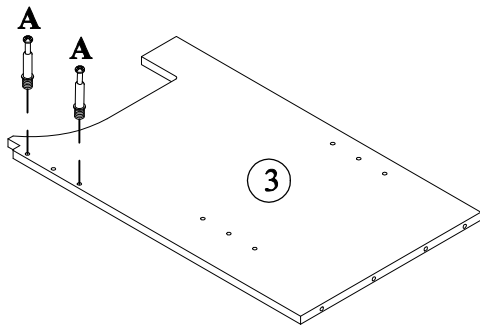
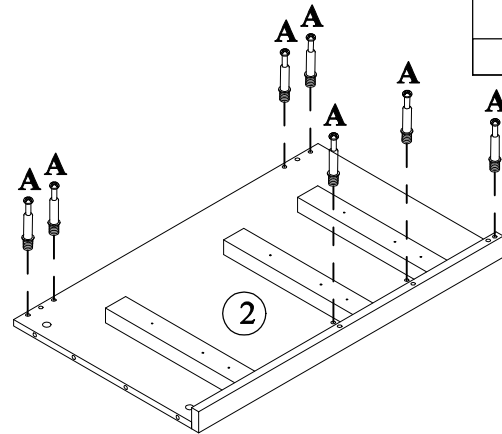
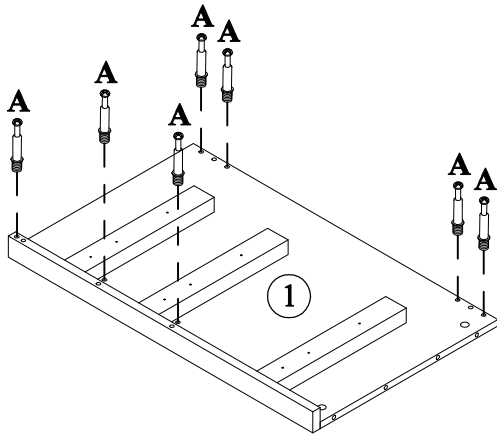
<p>A</p>  <p>ø6x35mm</p>	<p>B</p>  <p>ø14.5x12mm</p>	<p>C</p>  <p>ø8xø4x25mm</p>
<p>Three in one bolts (33pcs) Three in one lock (33pcs) Round head screw (4pcs)</p>		
<p>D</p>  <p>ø8xø4x32mm</p>	<p>E</p> 	<p>F</p>  <p>ø5/32"x15mm</p>
<p>Round head screw (48pcs) Handle (11pcs) Handle screw (4pcs)</p>		
<p>G</p>  <p>ø5/32"x20mm</p>	<p>H</p>  <p>ø5/32"x25mm</p>	<p>I</p> 
<p>Handle screw (3pc) Handle screw (4pcs) L-Bracket (2pcs)</p>		
<p>J</p>  <p>ø7xø3.5x12mm</p>	<p>K</p> 	<p>L</p> 
<p>Round head screw (4pcs) Laminate pad(4pcs) Damping hinge (2pcs)</p>		
<p>M</p>  <p>ø7xø3.5x15mm</p>	<p>N</p>  <p>ø300x35mm</p>	<p>O</p>  <p>ø298x18mm</p>
<p>Flat head screw (12pcs) Slide rails (12pcs) Slide rails (12pcs)</p>		
<p>P</p>  <p>ø6xø3x12mm</p>	<p>Q</p>  <p>ø8x30mm</p>	<p>R</p> 
<p>Flat head screw (72pcs) Wood dowel (28pcs) Anti fall hardware (1set)</p>		

STEP: 1

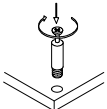
A





33PCS

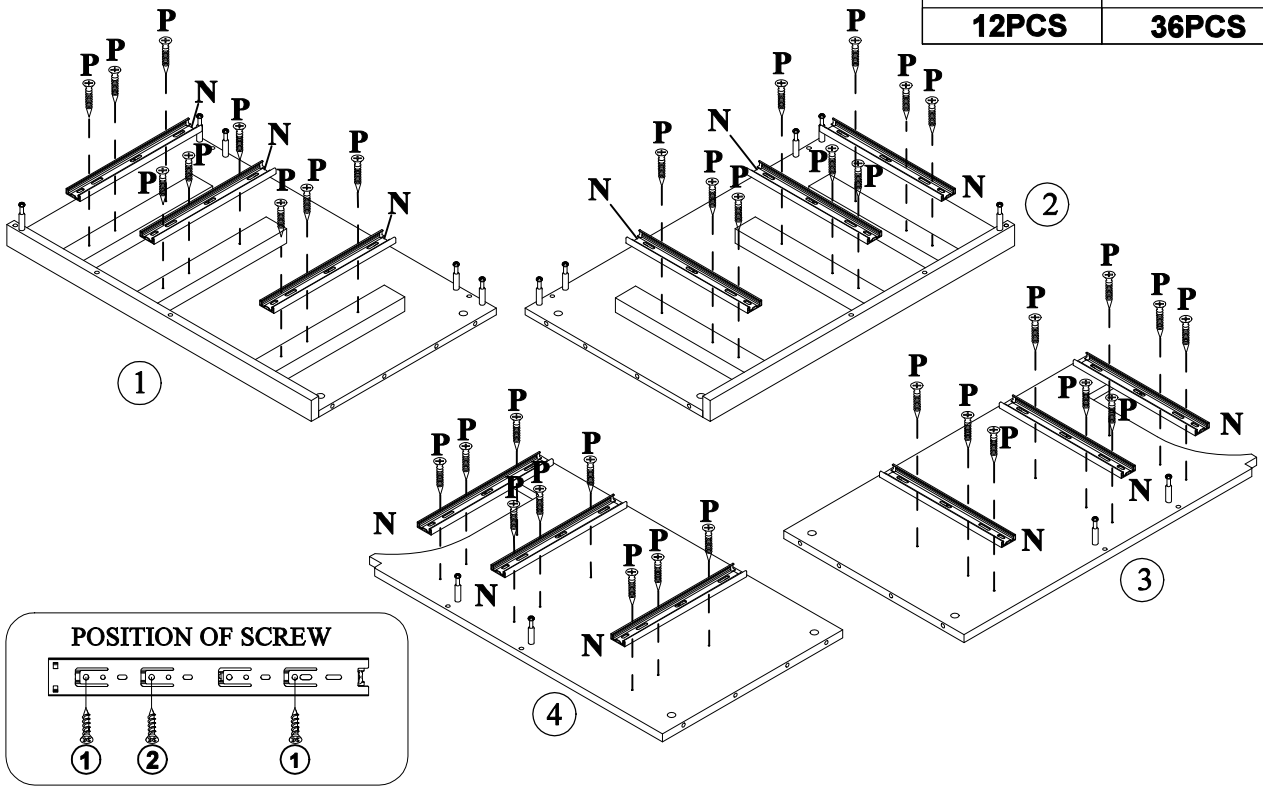


Do Not Over Tighten


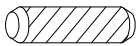


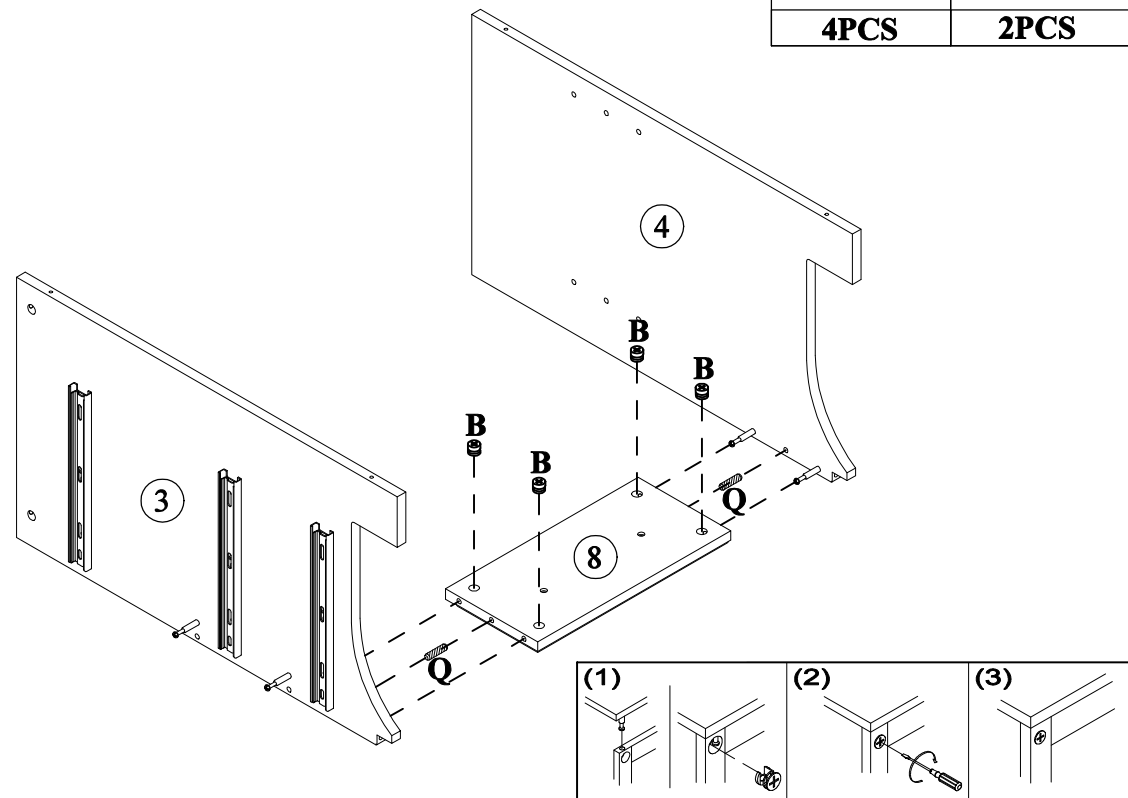
STEP: 2

N		P	
	12PCS		36PCS




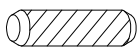


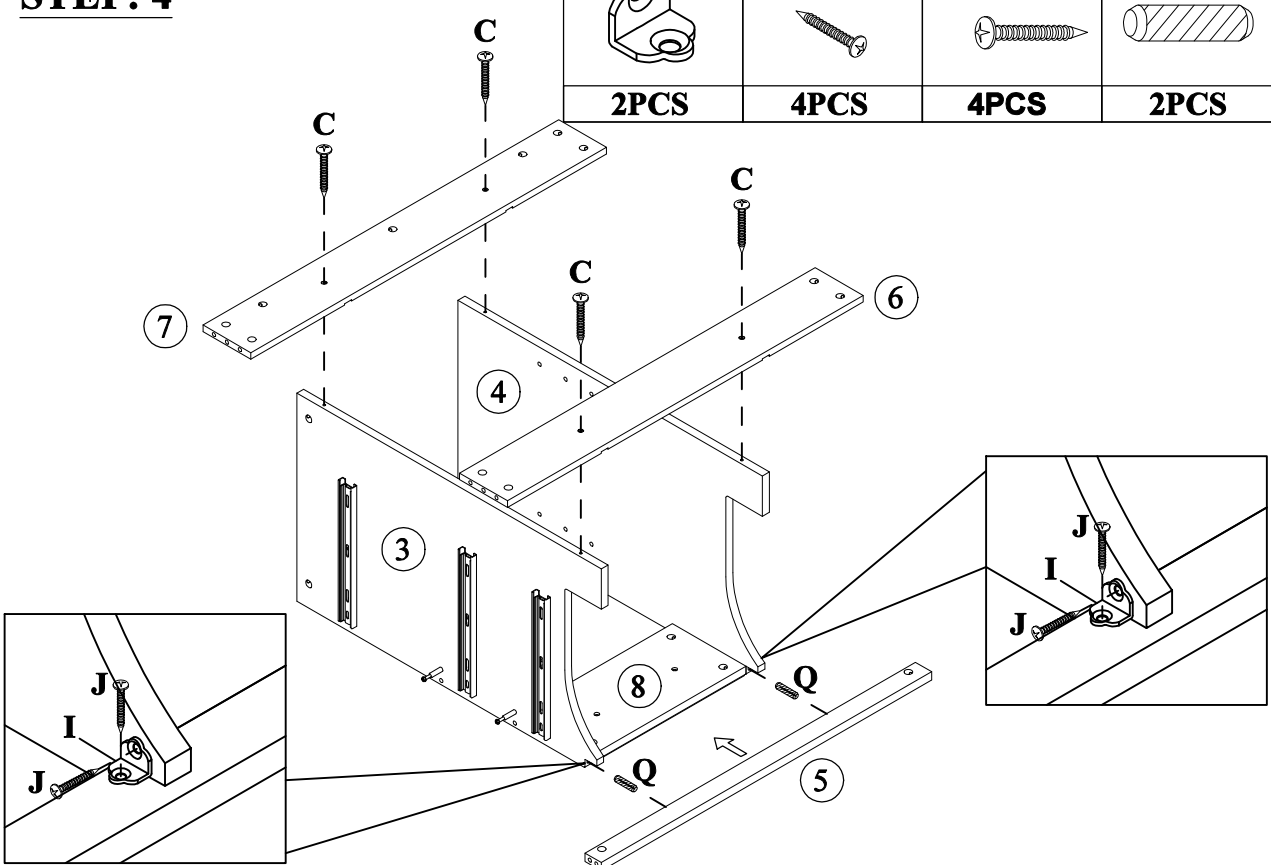
STEP: 3

B		Q	
	4PCS		2PCS


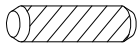


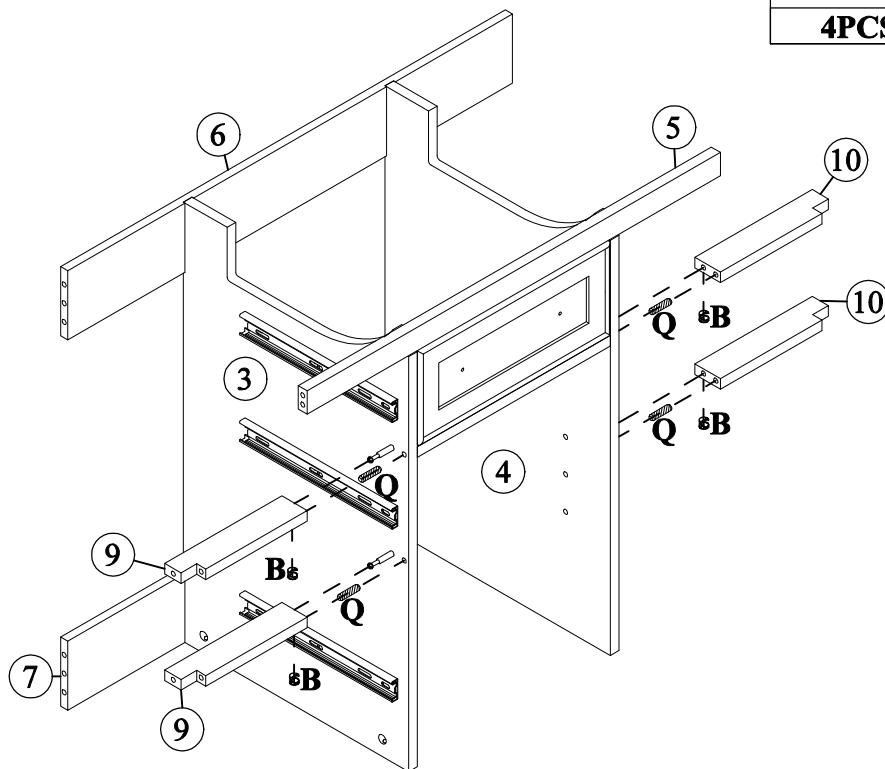
STEP: 4

I		J		C		Q	
	2PCS		4PCS		4PCS		2PCS


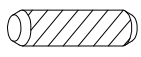


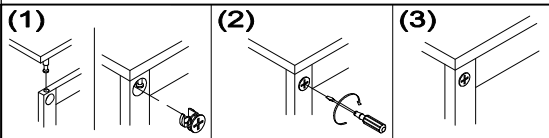
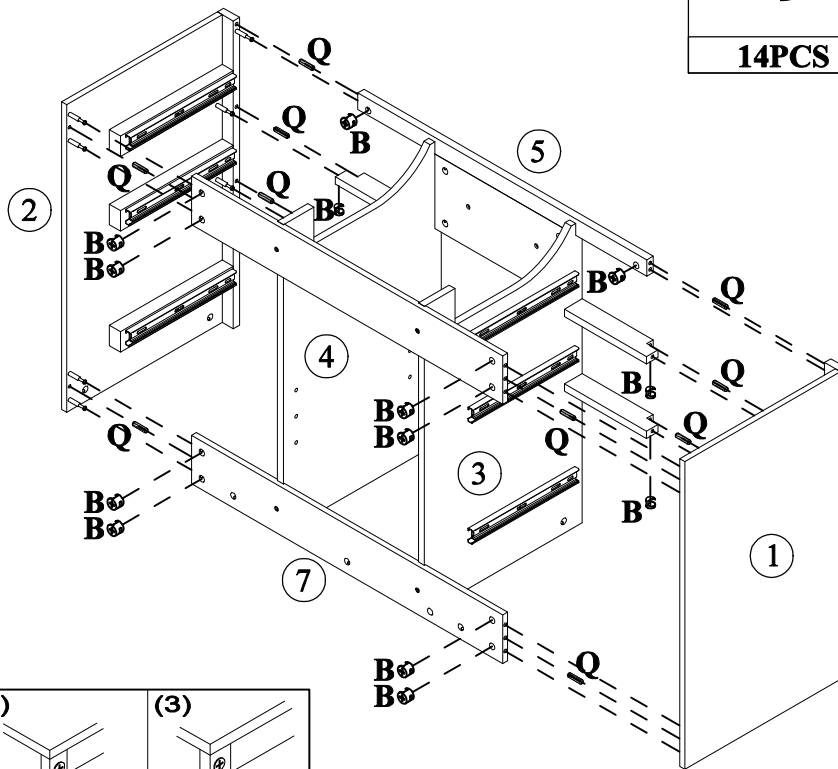
STEP: 5

B		Q	
	4PCS		4PCS

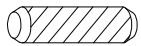


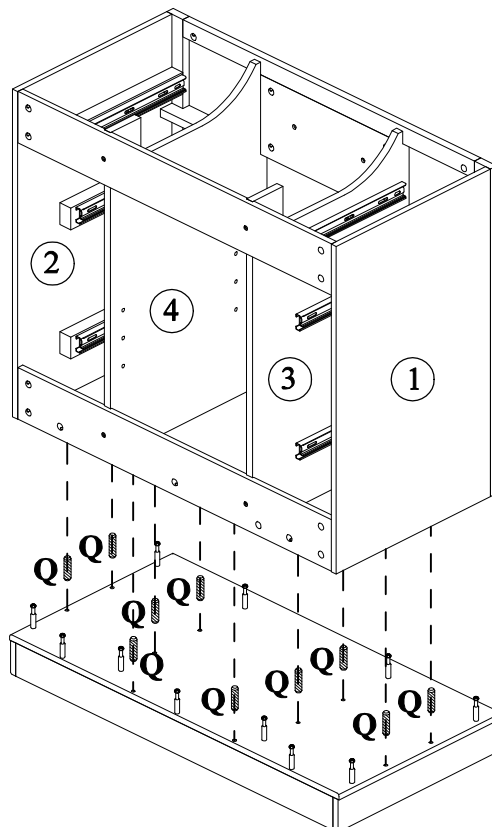
STEP: 6

B		Q	
14PCS		10PCS	



STEP: 7

Q	
10PCS	

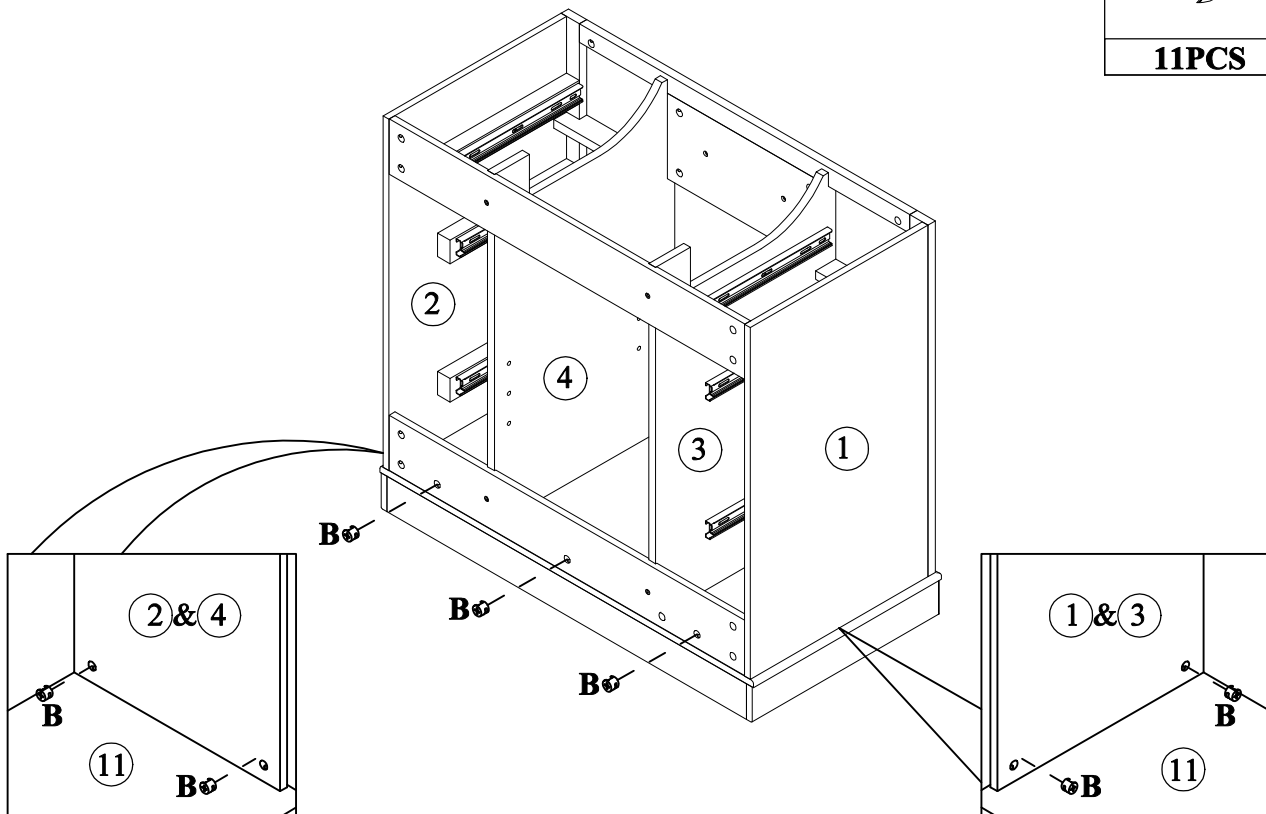


STEP: 8

B



11PCS



STEP: 9

L

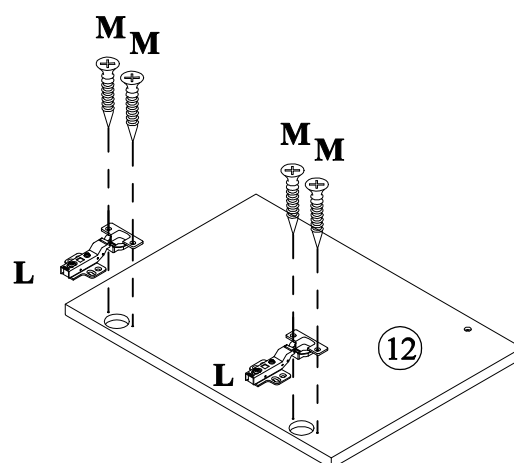


2PCS


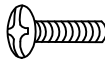
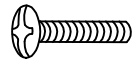
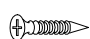
M

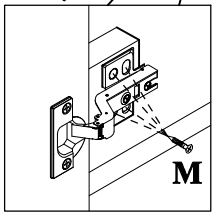
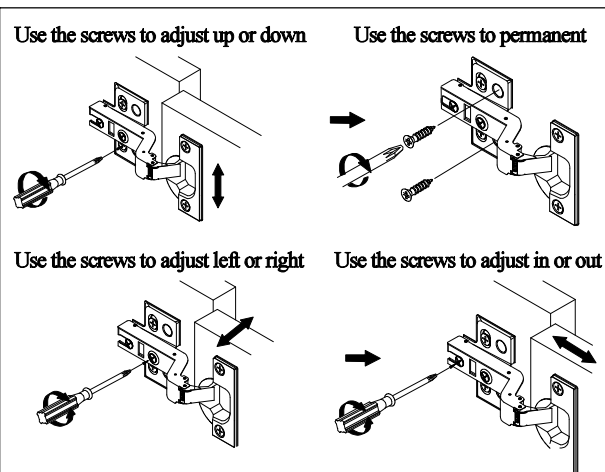
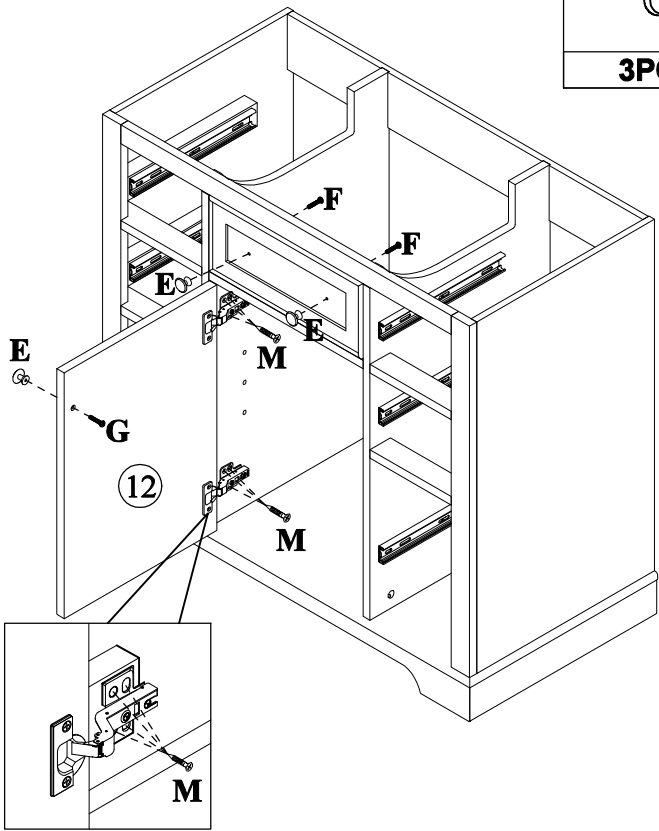


4PCS

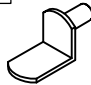


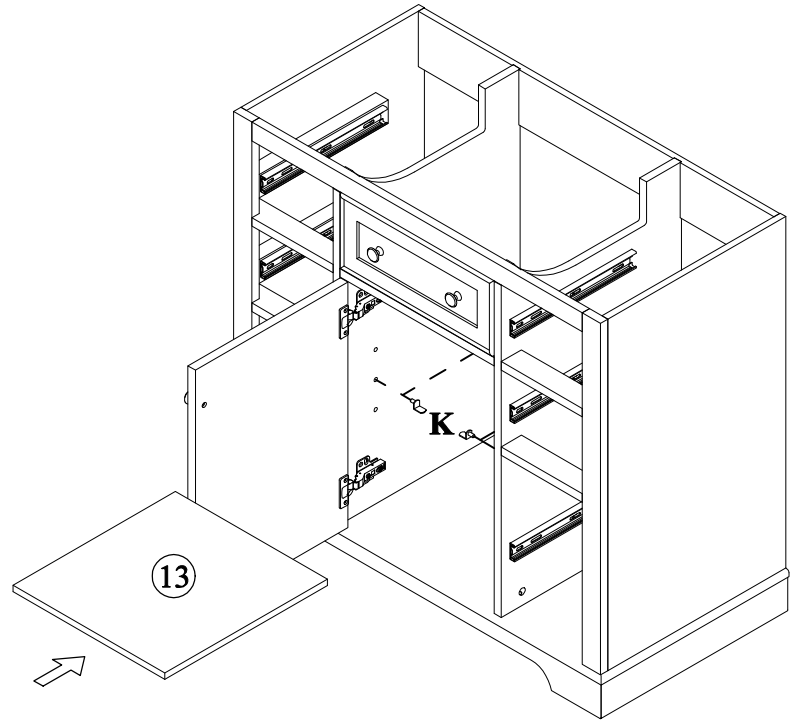
STEP: 10

E		F		G		M	
3PCS		2PCS		1PC		8PCS	



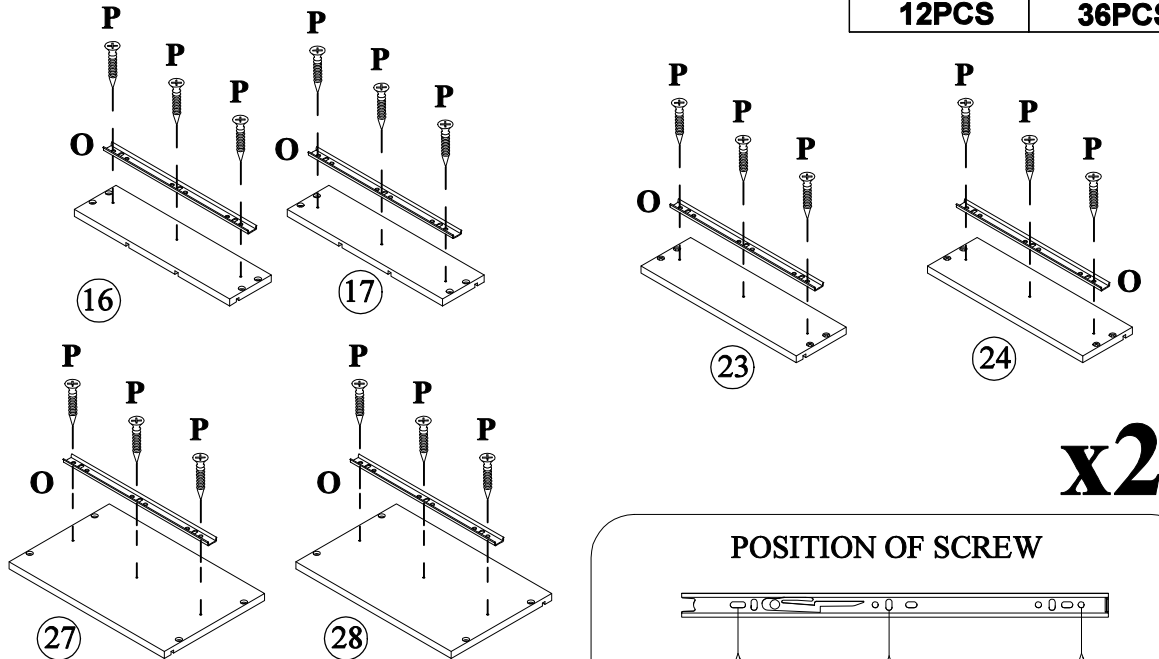
STEP: 11

K	
4PCS	

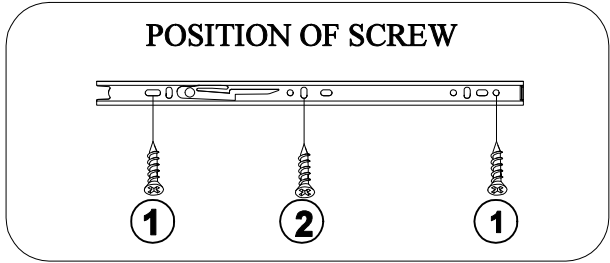


STEP: 12

O		P	
	12PCS		36PCS

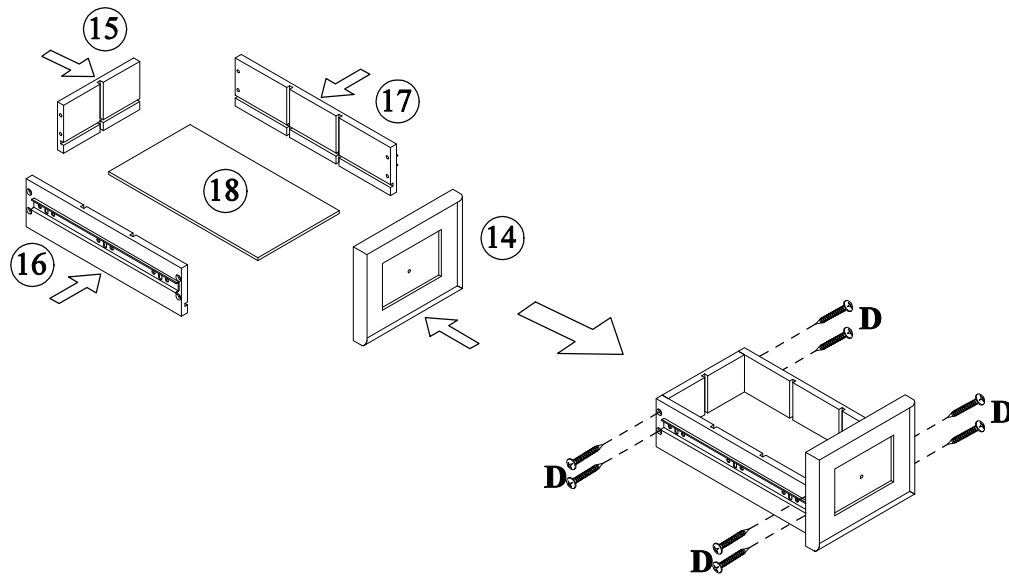


x2





STEP: 13

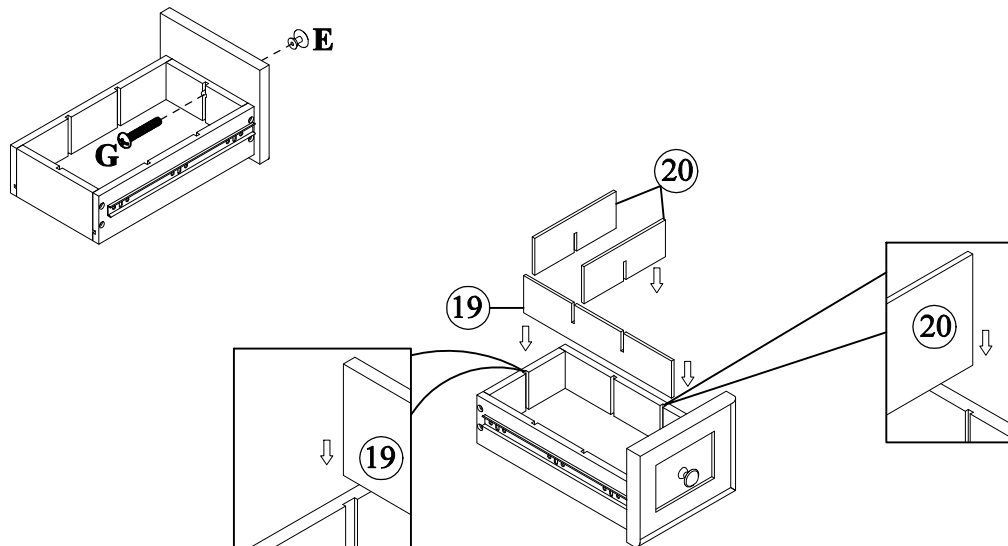
D	
	16PCS



x2


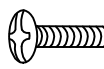

STEP: 14

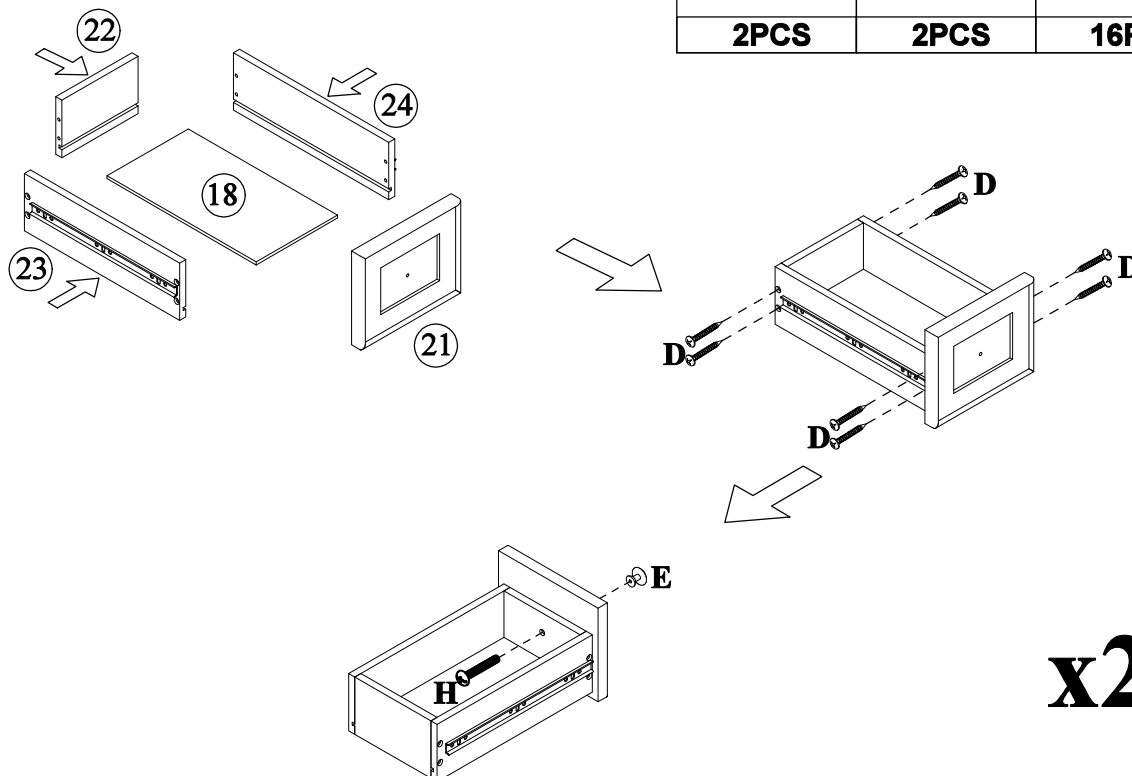
E		G	
	2PCS		2PCS



x2





STEP: 15

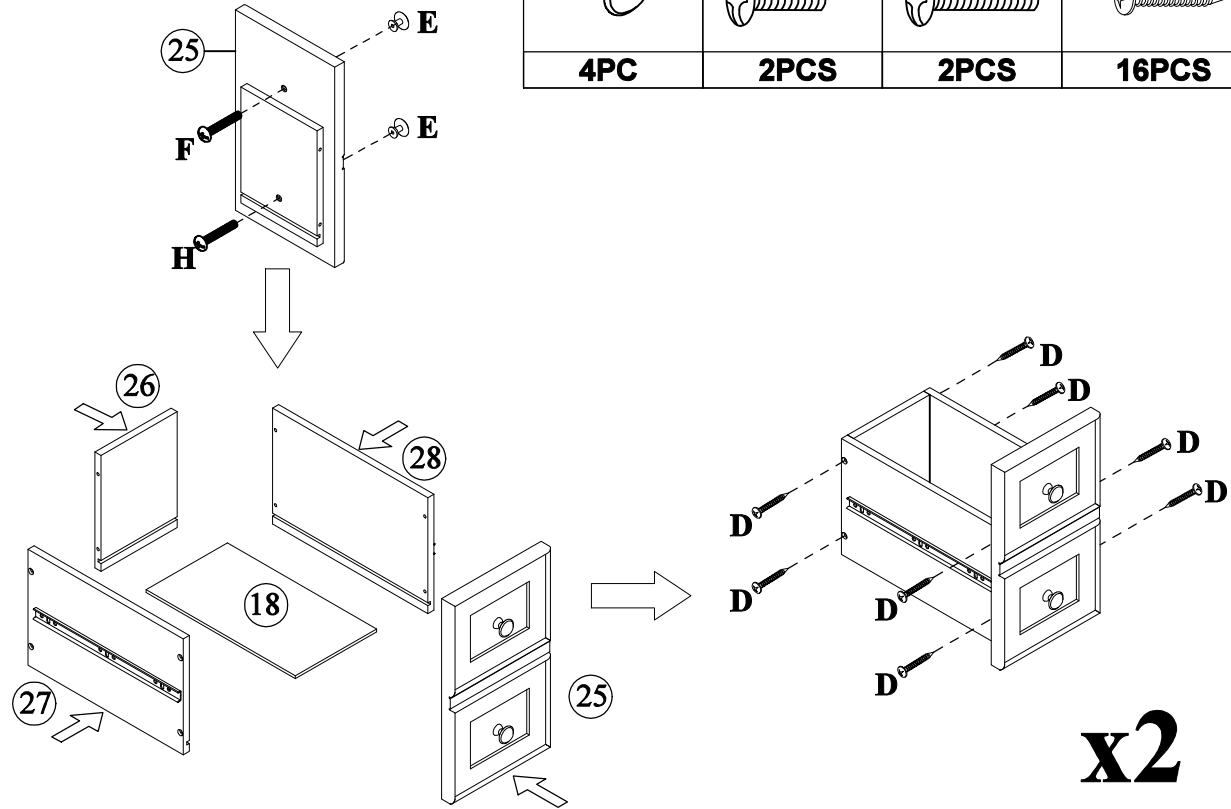
E		H		D	
	2PCS		2PCS		16PCS



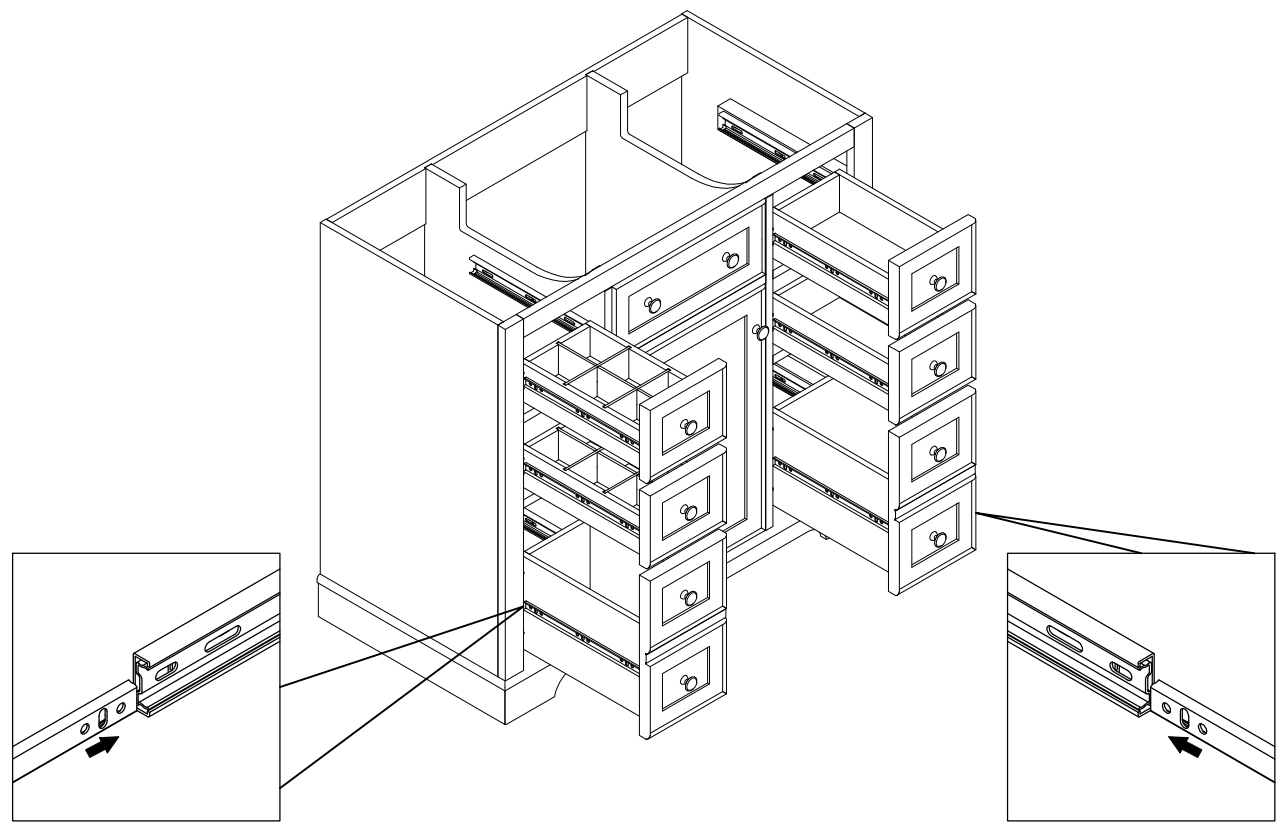
x2

STEP: 16

E	F	H	D
			
4PC	2PCS	2PCS	16PCS

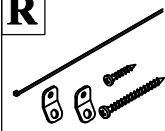


STEP: 17

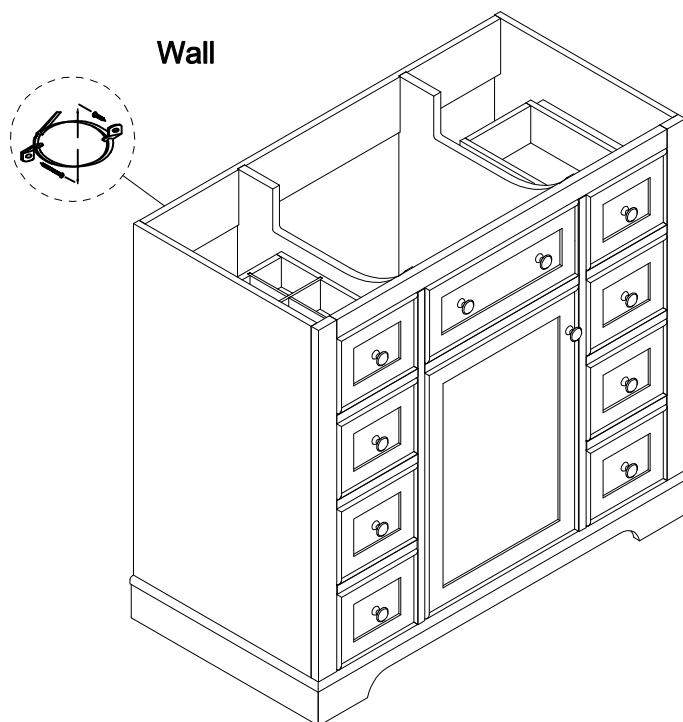


STEP: 18

R

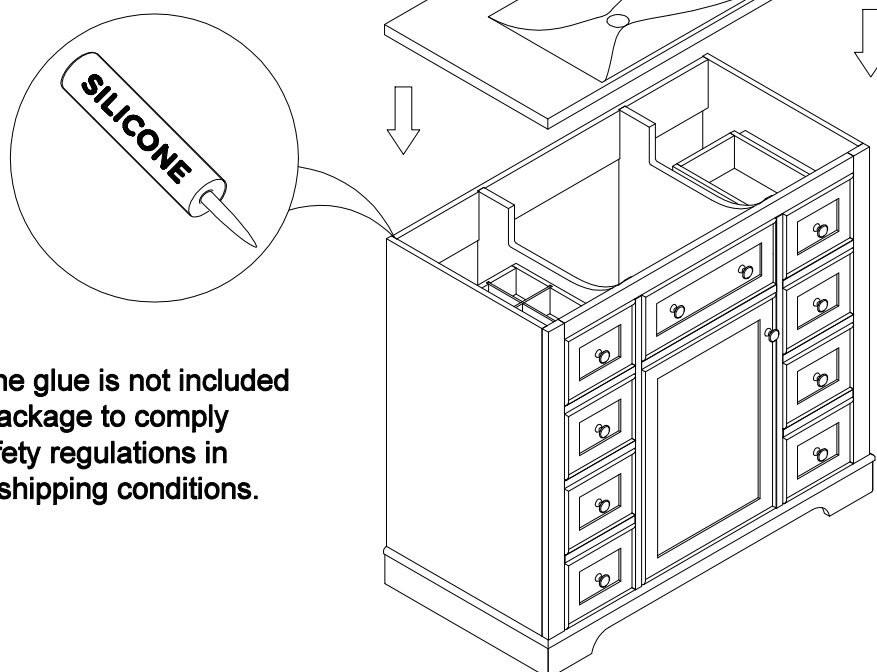


1SET



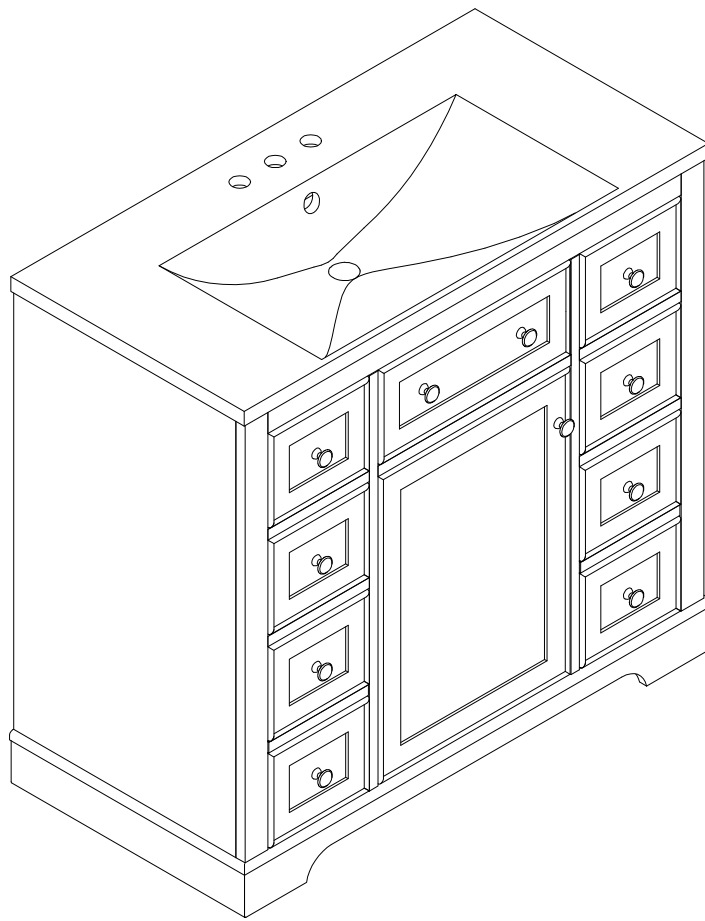
STEP: 19

Install the sink on the cabinet with glue.
Let stand for 24 hours



*Silicone glue is not included
in the package to comply
with safety regulations in
certain shipping conditions.

STEP: 20

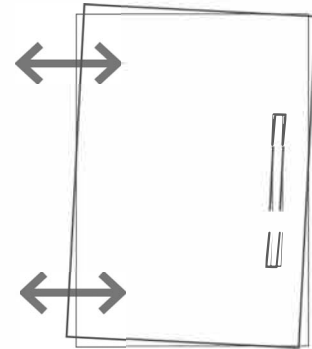


HINGE ADJUSTMENTS



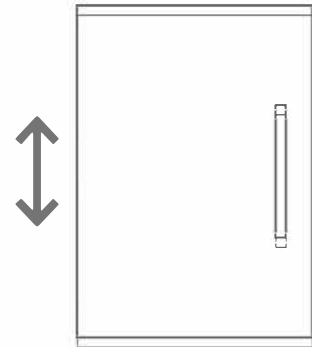
1 Sideways / Tilt adjustment

Turn the screw
clockwise to move the door further away from
the side of the cabinet
anticlockwise to move the door closer to the
side of the cabinet



2 4 Height adjustment

While supporting the weight of the door, turn the
screws
clockwise to move the door up
anticlockwise to move the door down



3 Forward and back adjustment

If the gap between the back of the door and the
cabinet is too small, and the door may not close
fully. Turn the screw
clockwise to decrease the gap between the
door and the cabinet
anticlockwise to increase the gap between the
door and the cabinet

