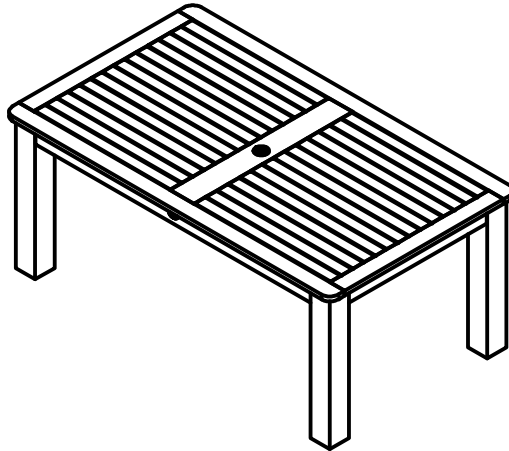


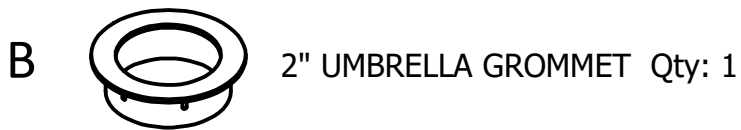
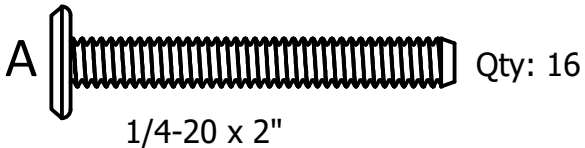
Square/Rectangular Dining Tables

Assembly Guide

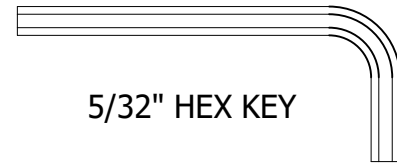


*Actual Style May Vary from the One Pictured in this Guide

HARDWARE INCLUDED

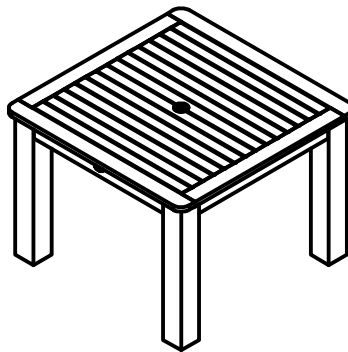


TOOLS INCLUDED

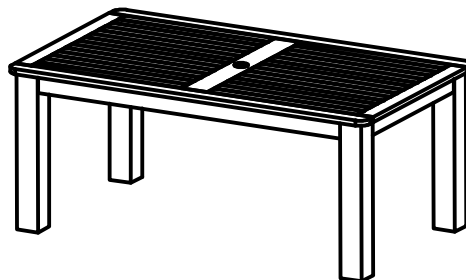


IMPORTANT!

DO NOT fully tighten bolts until all bolts are started.



42X42 SQUARE
DINING OR COUNTER HEIGHT DINING TABLE



42X72 RECTANGULAR DINING OR COUNTER HEIGHT DINING TABLE
42X84 RECTANGULAR DINING OR COUNTER HEIGHT DINING TABLE

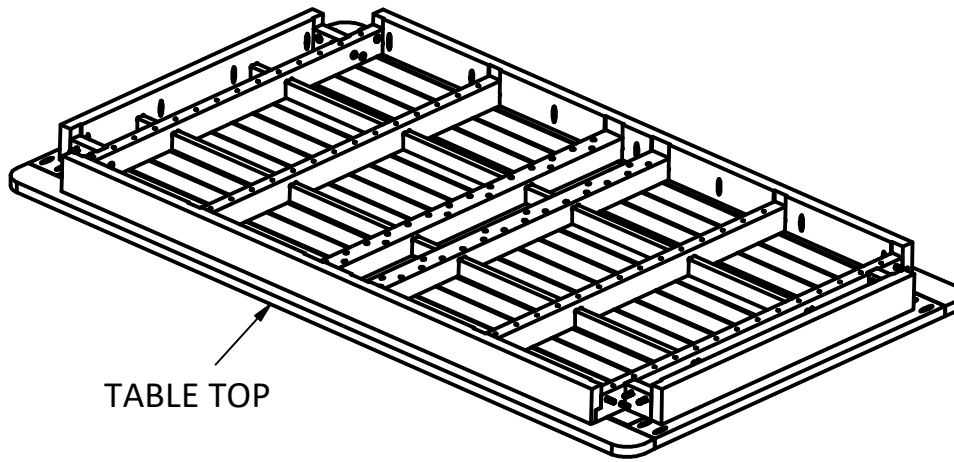
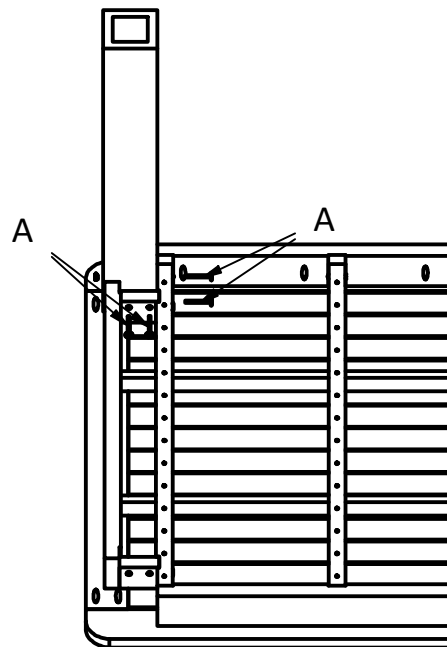


TABLE TOP

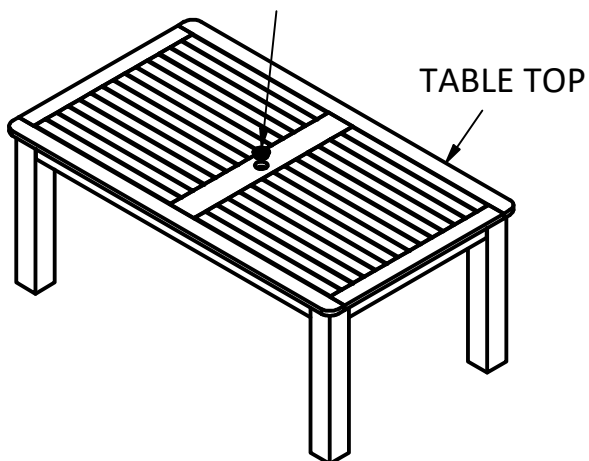
1) Place the Table Top upside down on a soft surface.



2) Attach Leg to Table Top with (4) A Bolts as shown.

3) Repeat for each Leg.

2" UMBRELLA GROMMET



4) If installing an umbrella, insert the 2" UMBRELLA GROMMET in the center hole of the Table Top.