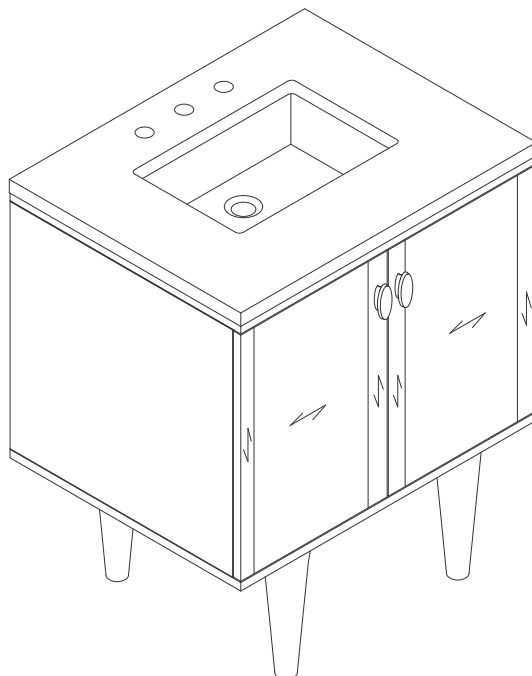


30" VANITY



Features and Materials

Solids: Para wood and Yellow Poplar

Veneers: Quarter Cut Walnut

Panels: Plywood

Installation Type: Floor Standing with Base or Wall Mounted

Number of Basins: One, with Optional 3cm Top

Vanity Top Included: NO, Optional 3cm Tops Available with Sinks

Overflow: Yes, Front Facing

Number of Doors: Two

Number of Drawers: 0

USB/Power Component: YES (ETL5011080)

Cord Length: 6'6"

Assembly Type: Installation of Optional 3cm Top with Sink

Assembly Type: Remove Base to Wall Hang (hardware included)

Hardware Material and Finish: Zinc Alloy in Champagne Brass

Fits Drain Hole Size: 1 3/4"

European Soft Close Hinges

Adjustable Levelers

Dimension

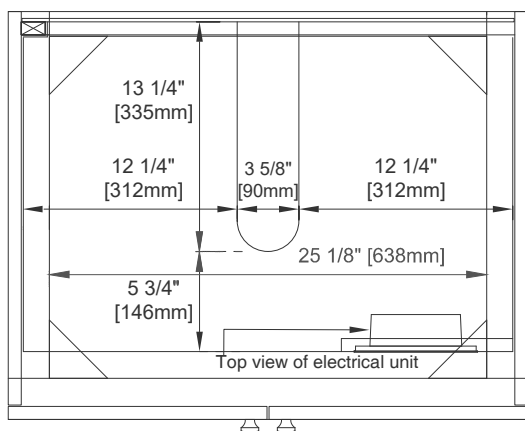
Width: 29-7/8"

Depth: 23-1/2"

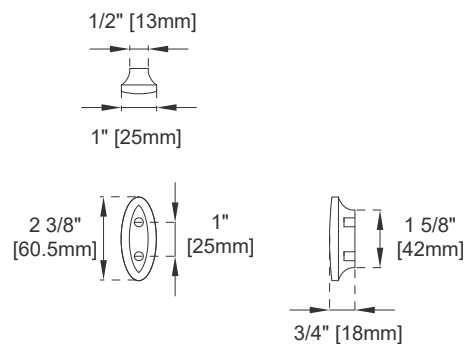
Height: 33-5/8"

Rough-In Height: 21-1/2"

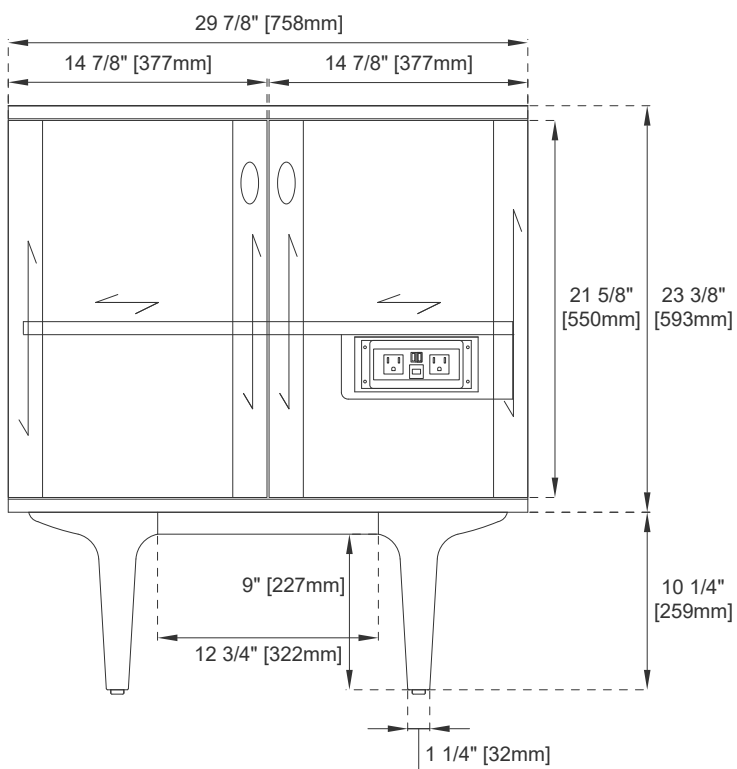
30" VANITY



Top View



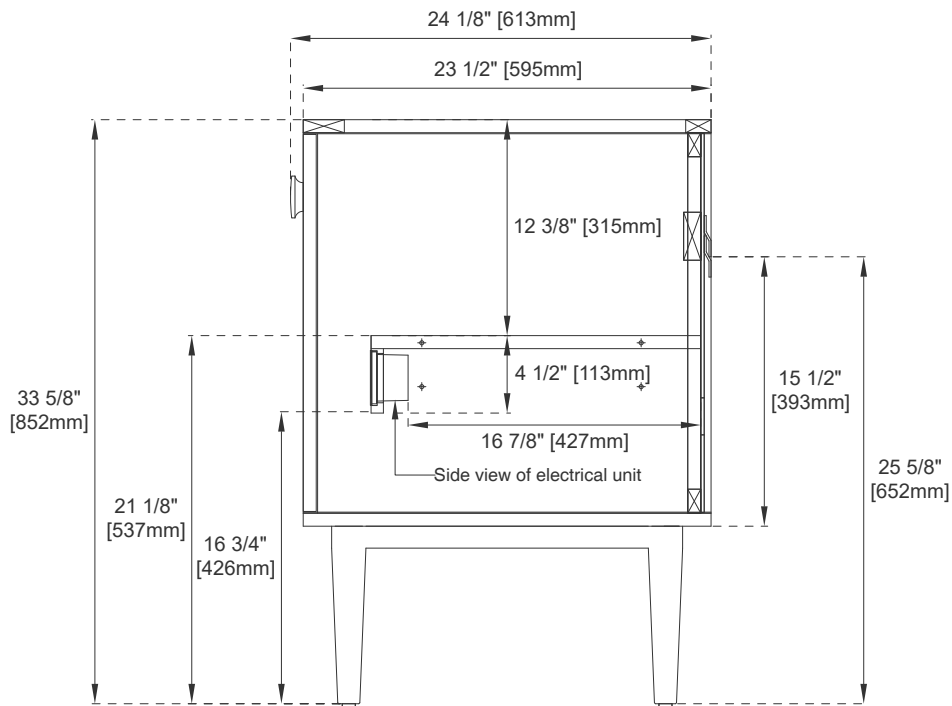
Knob



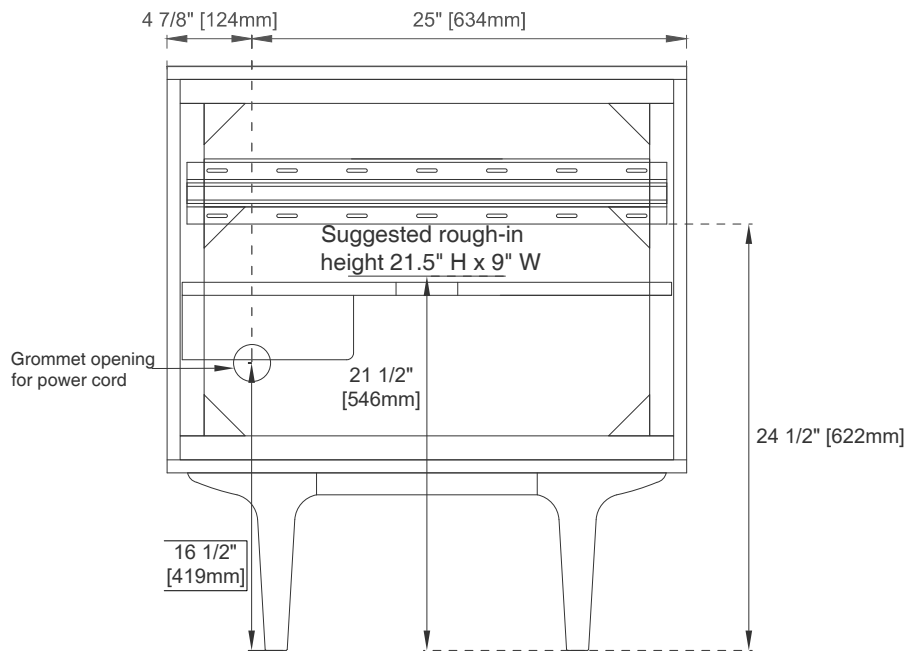
Front View

All dimensions are nominal
 Diagrams are of cabinet only—Optional Countertops and sinks are not shown

30" VANITY



Side View



Back View

All dimensions are nominal
 Diagrams are of cabinet only—Optional Countertops and sinks are not shown