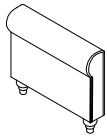


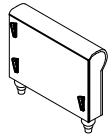
ASSEMBLY INSTRUCTION

A Left Arm



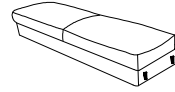
1PC

B Right Arm



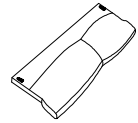
1PC

C Seater



1PC

D Back

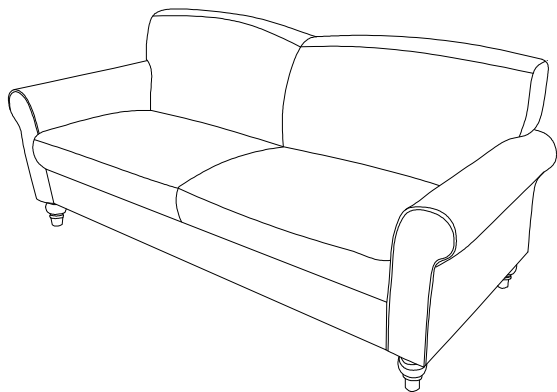


1PC

E Support Leg

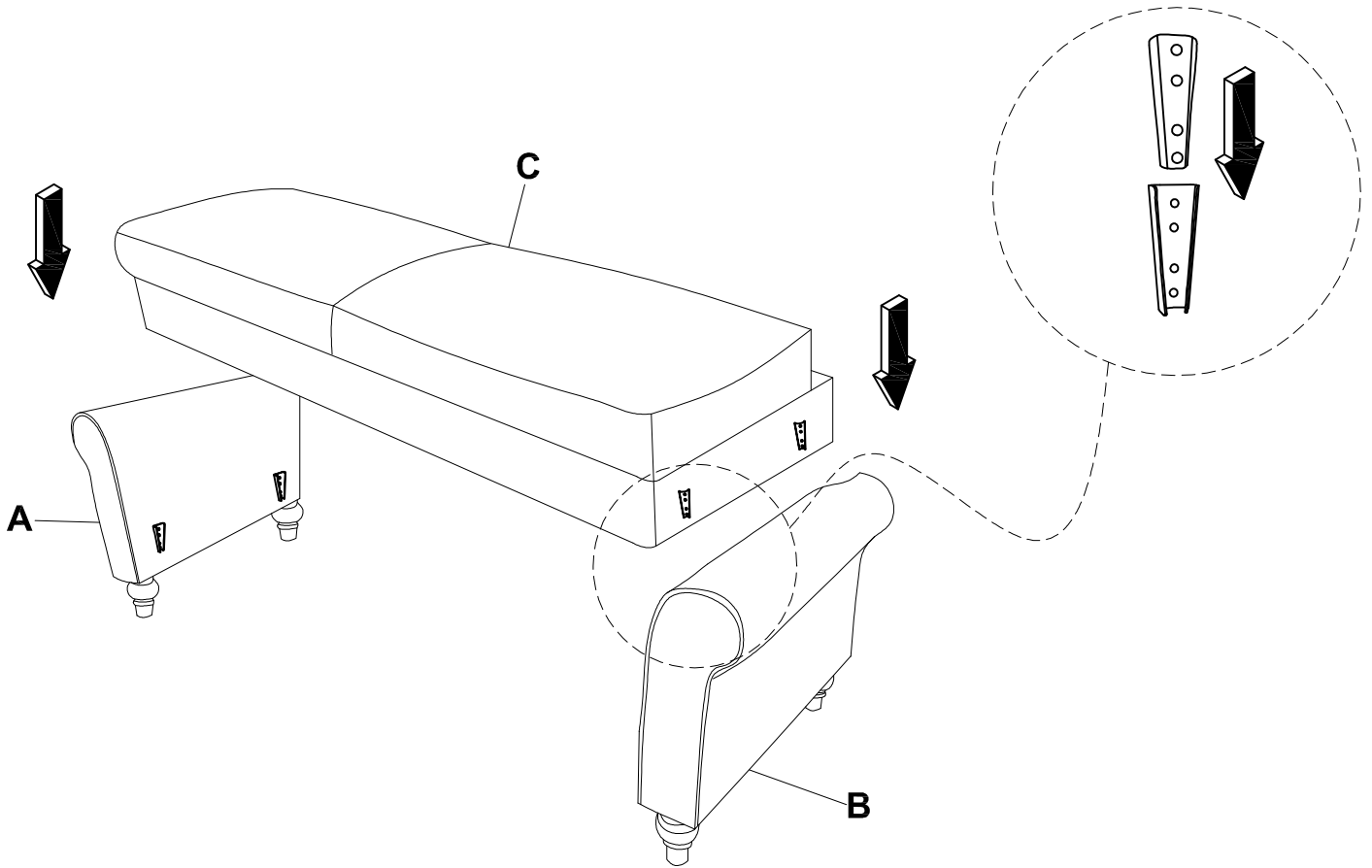


1PC

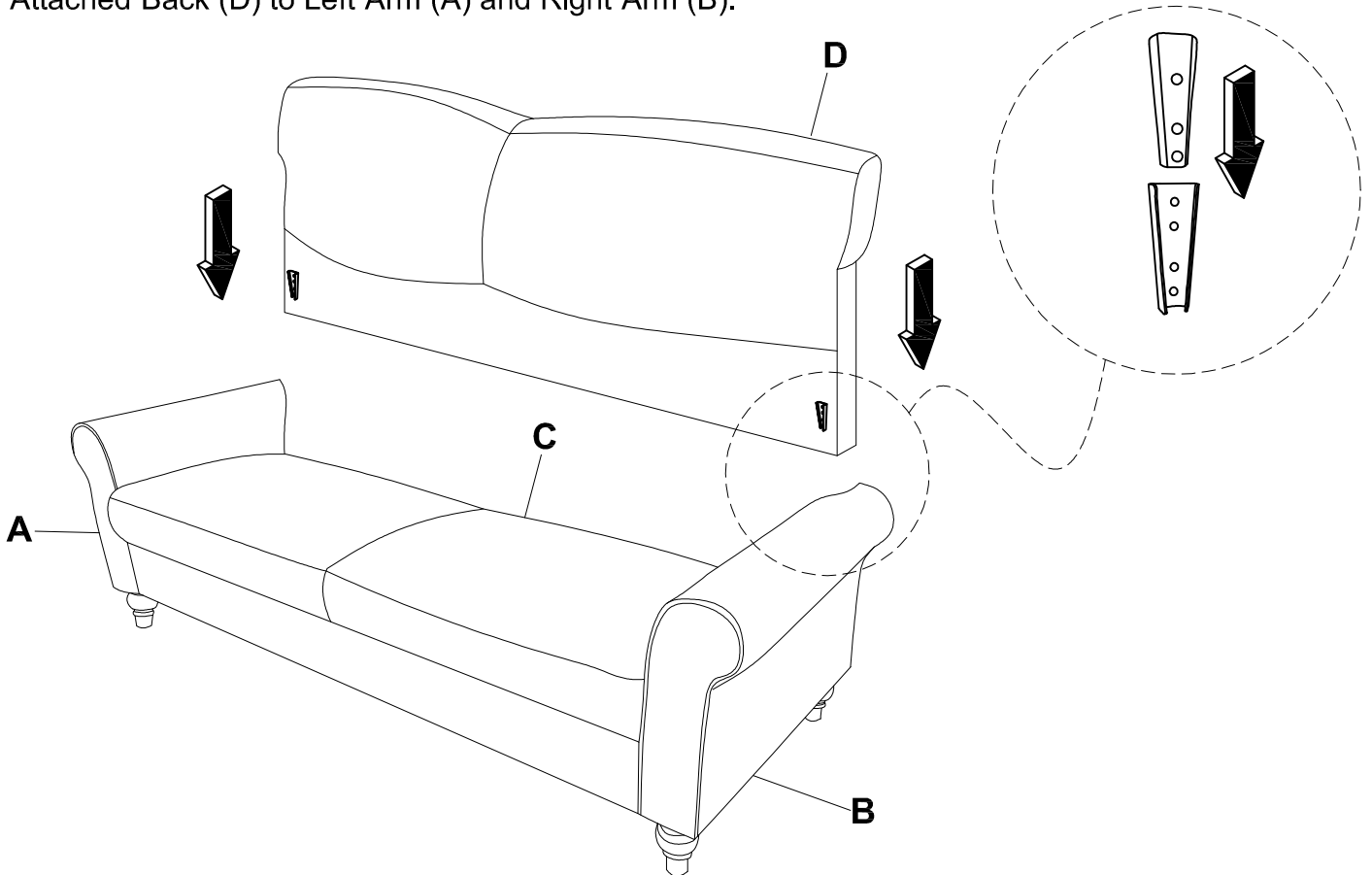


This page lists all the contents included in the box. Please take the time to identify the hardware as well as the individual components to this product. As you unpack and prepare for assembly, place the contents on a carpeted or padded area to protect them from damage.

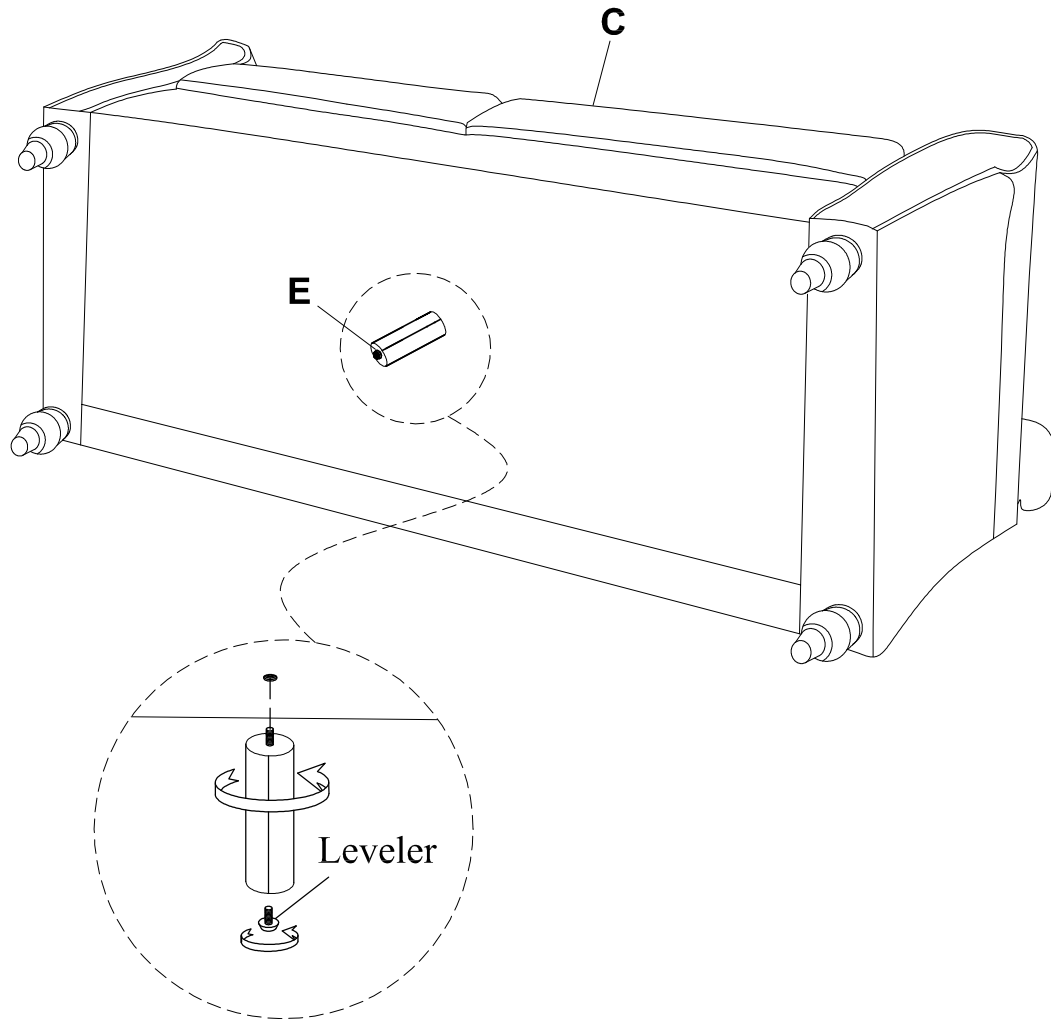
1 Attached Seater (C) to Left Arm (A) and Right Arm (B).



2 Attached Back (D) to Left Arm (A) and Right Arm (B).



3 Attached Support Leg (E) to the bottom of Seater (C).



Cleaning & Care

Treat surface with care. Surface is resistant to scratches but is not scratch resistant. Clean surfaces with a dry or damp soft cloth. Do not use abrasive cleaners. Hardware may loosen over time. Periodically check that all connections are tight.

MORE SELECTION STYLE

