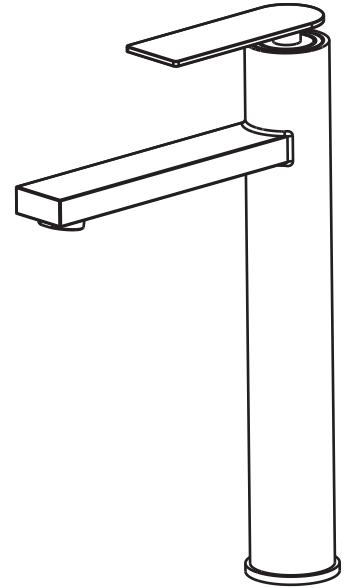


### STANDARD SPECIFICATIONS:

- Single-lever handle adjusts water temperature and pressure easily.
- Corrosion-resistant zinc alloy handles.
- Ceramic disc cartridge tested to withstand over 500,000 cycles and resist leaks.
- One-piece, self-contained ceramic disc valve allows both volume and temperature control.
- The removable aerator provides a soft and splash-free water stream.
- The corrosion-resistant brass spout ensures long-term durability and reliability.
- The raised spout helps prevent splashing, making it ideal for vessel sinks.
- Recommended for a vessel sink with a height of 4–7 inches.
- Advanced electroplating technique prevents surface wear and peeling.
- Includes two flexible 23-5/8" PEX hoses (hot and cold supply).
- Maximum flow rate: 1.2 GPM (gallons per minute) at 60 PSI.
- Note: The pop-up drain assembly is not included.



### COLORS/FINISHES:

Color tiles intended for reference only.

Color	Code	Description
	BK	Matte Black
	CH	Polished Chrome
	GD	Brushed Gold
	NK	Brushed Nickel

### INSTALLATION:

- One-hole installation.
- Hole size: 1 5/16" - 1 3/8"

### MAINTENANCE AND CARE:

Use a soft cloth and a mild detergent to wipe the surface. Avoid abrasive tools or scrubbing to prevent scratches.

### WARRANTY:

EVERSTEIN offers a limited lifetime warranty that covers defects in materials and workmanship under normal residential use. This warranty excludes coverage for damages resulting from misuse, improper installation, or accidents. A valid proof of purchase is required to process any warranty claims.

