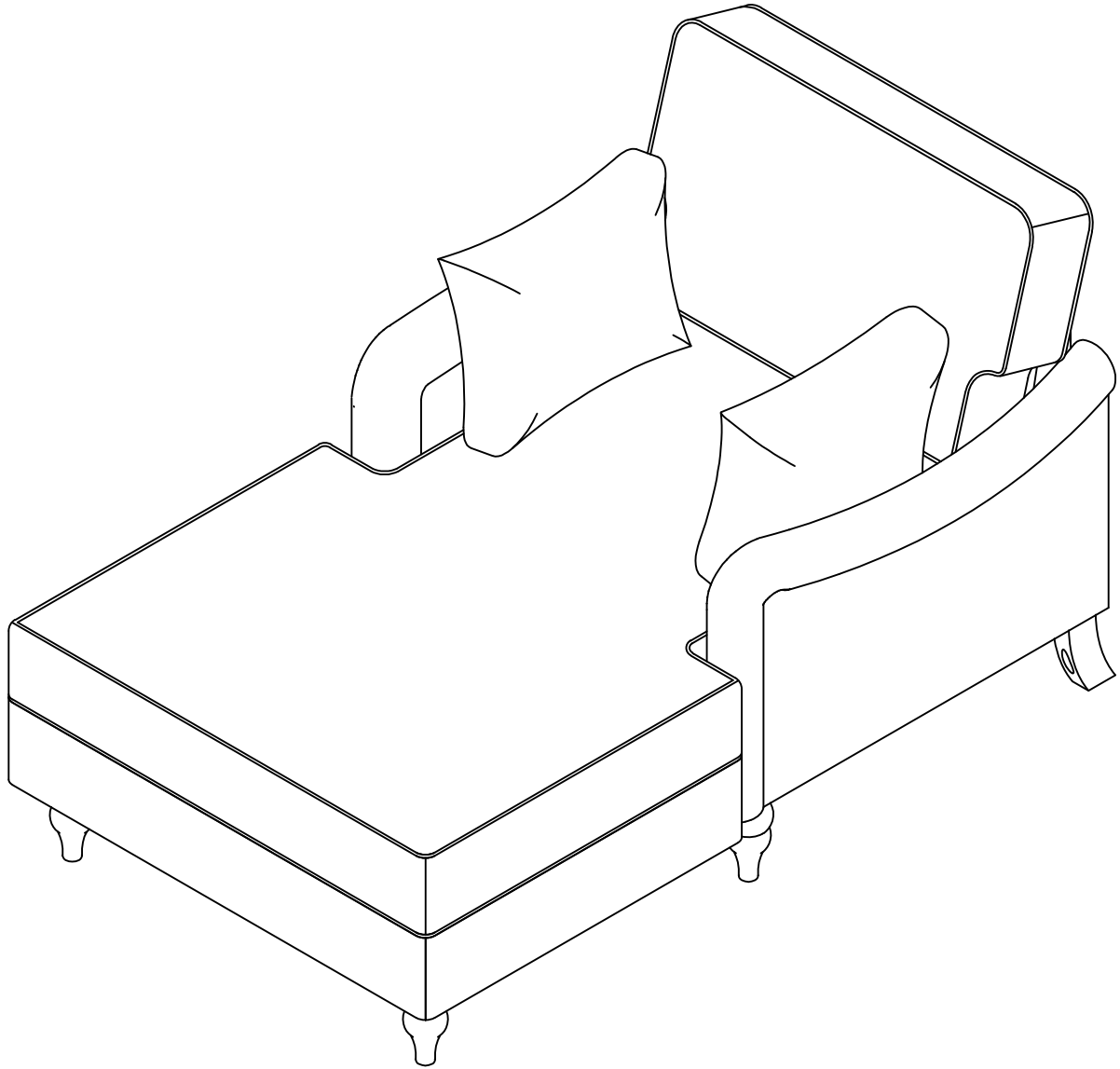
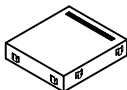
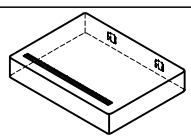

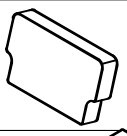
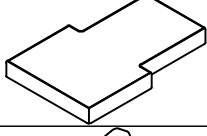
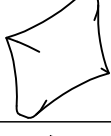


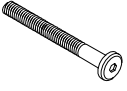




# ASSEMBLY INSTRUCTION

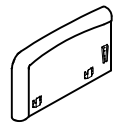
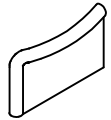
ITEM NO.: N701P241275- N701P241276



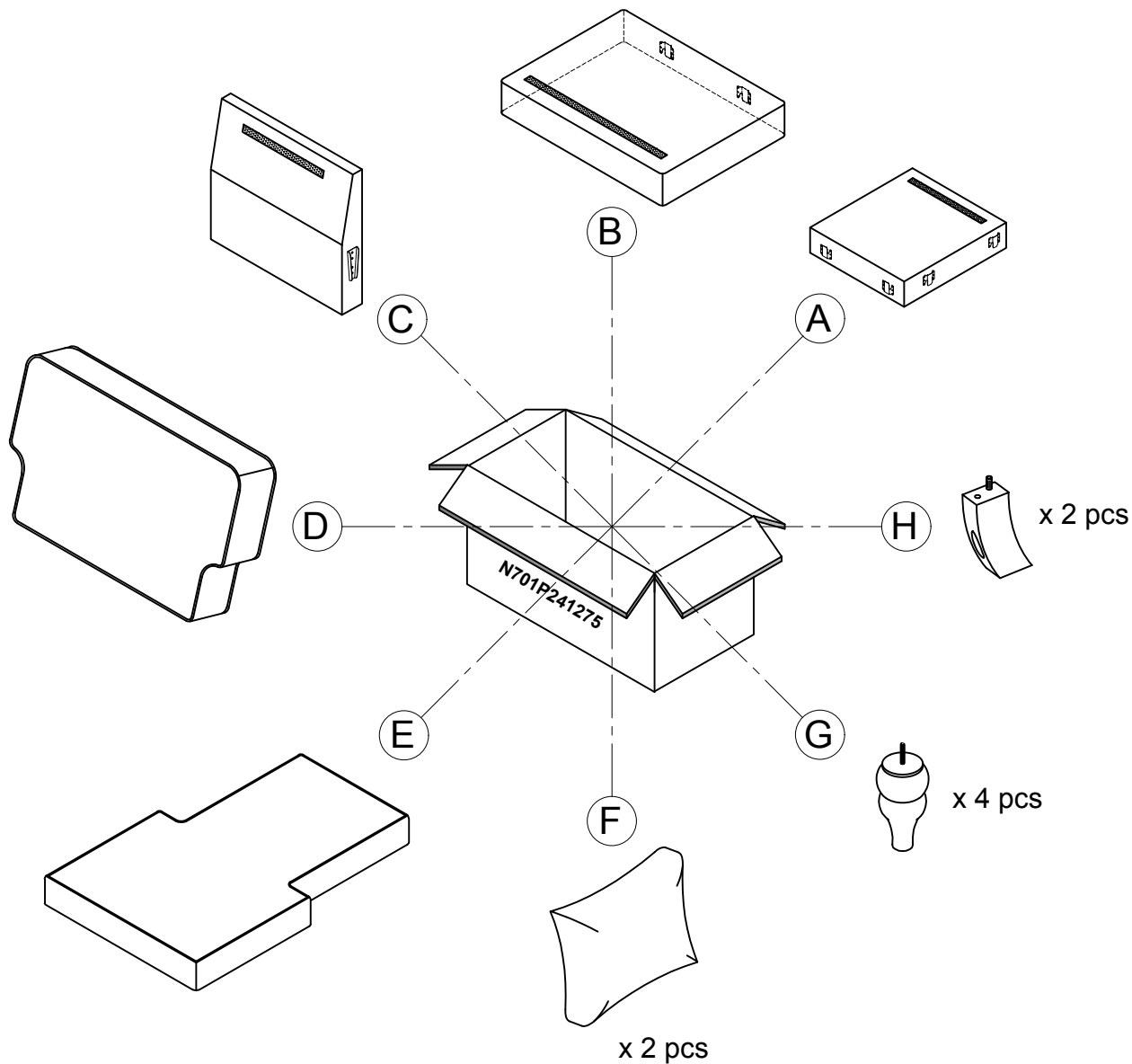
### N701P241275 - COMPONENT LIST

NO.	DRAWING	QTY	DESCRIPTION
(A)		1	Loveseat Frame
(B)		1	Pull Seat
(C)		1	Backrest Frame
(D)		1	Backrest Cushion
(E)		1	Seat Cushion
(F)		2	Pillows
(G)		4	Legs
(H)		2	Lean Legs
(I)		2	Bolt 5/16" x 65mm
(J)		2	Flat Washer Ø8 5/16"
(K)		1	Allen Key

### N701P241276 - COMPONENT LIST

NO.	DRAWING	QTY	DESCRIPTION
(L)		1	Left Arm
(M)		1	Right Arm

\* Take out the (A) (B) (C) (D) (E) (F) (G) (H) (I) (J) (K)

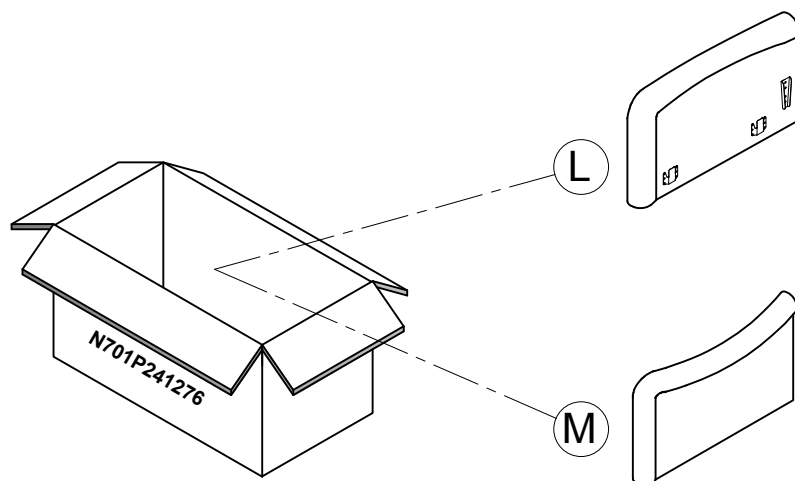


(I) x 2 pcs

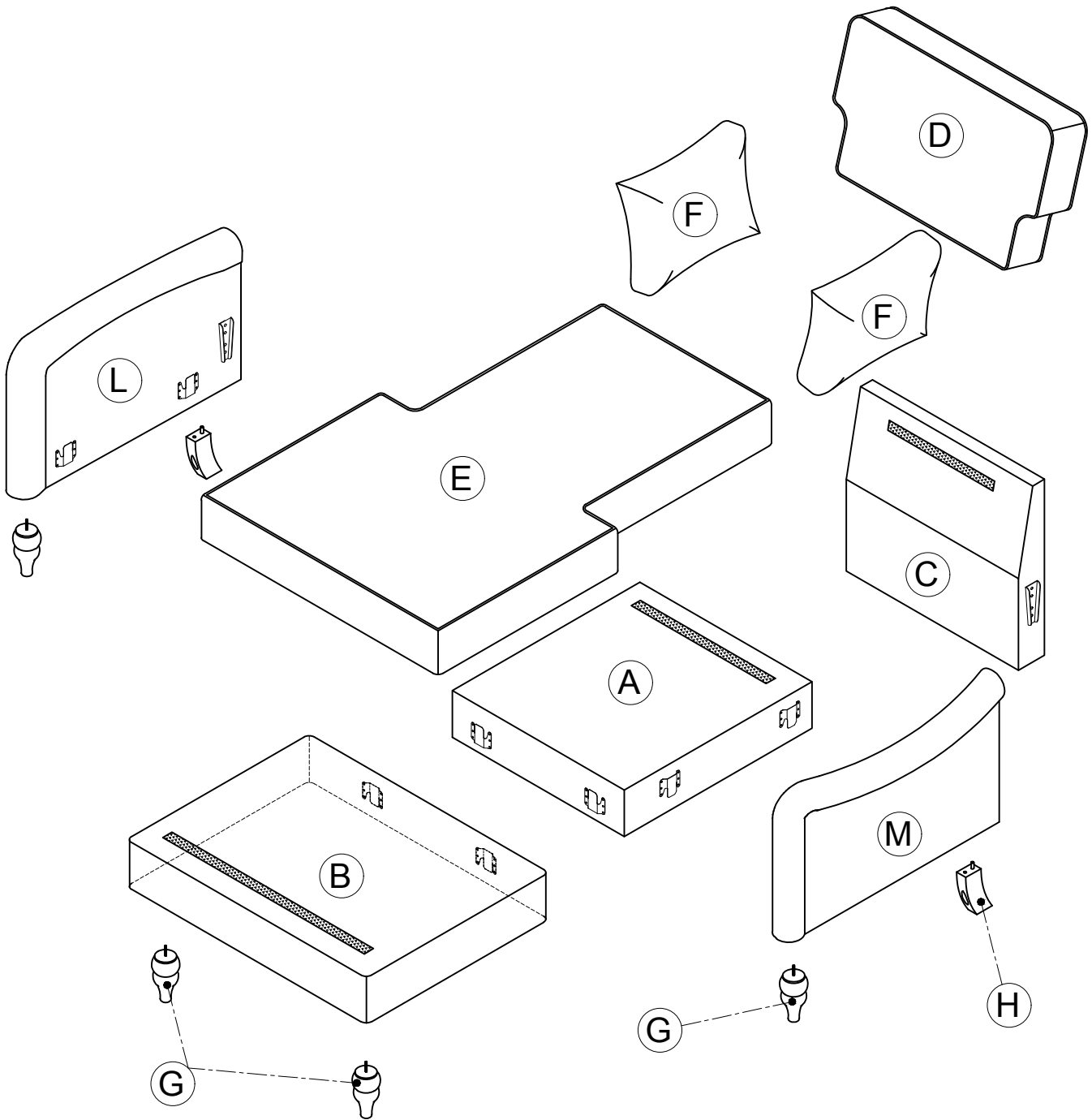
(J) x 2 pcs

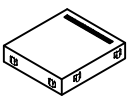
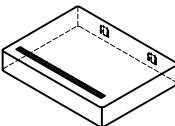

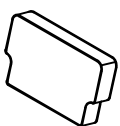
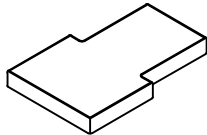



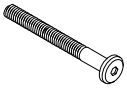


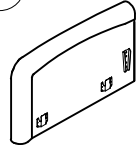
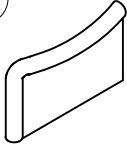
(K) x 1 pc

\* Take out the (L) (M)

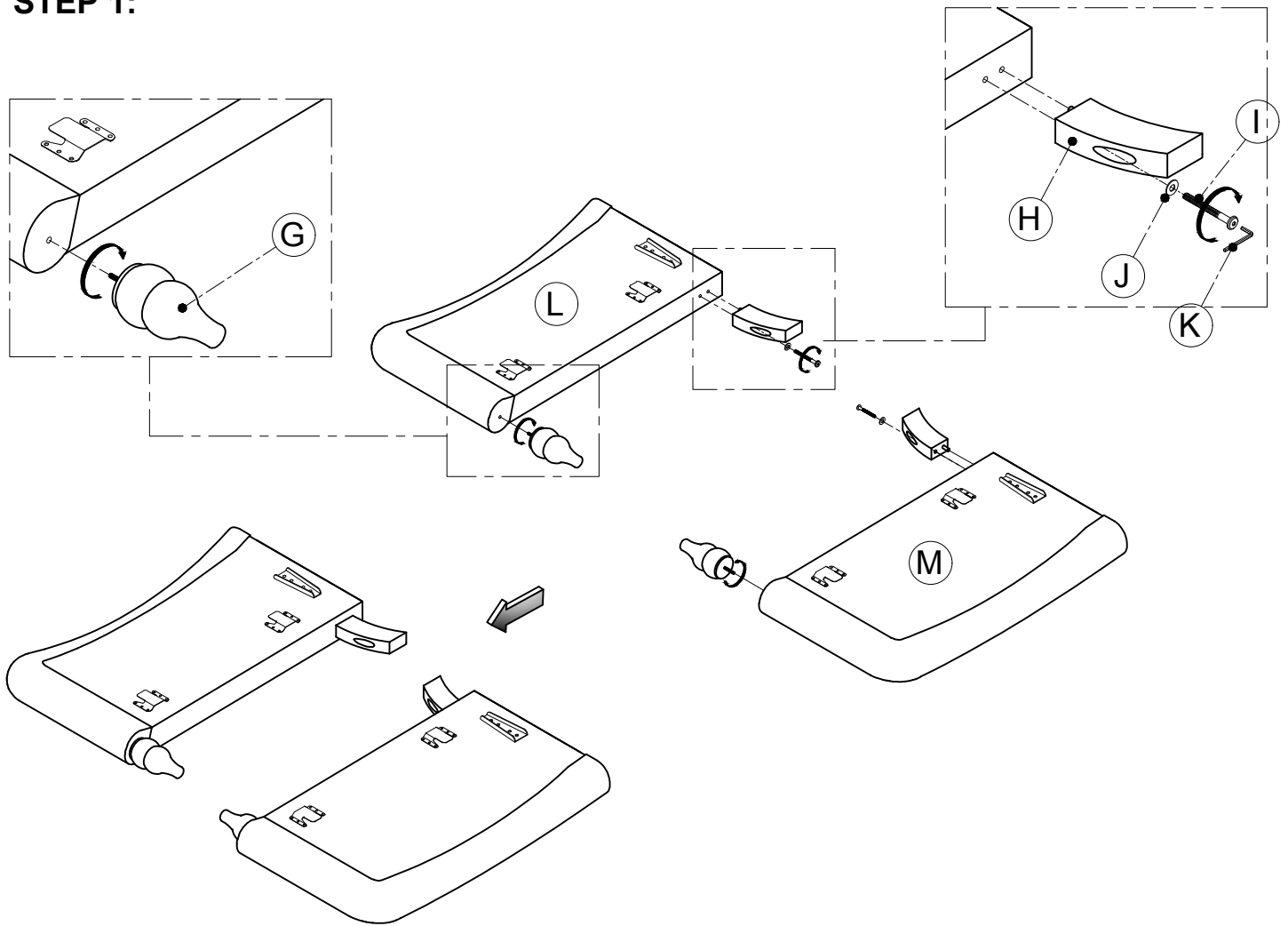


# PARTS LIST

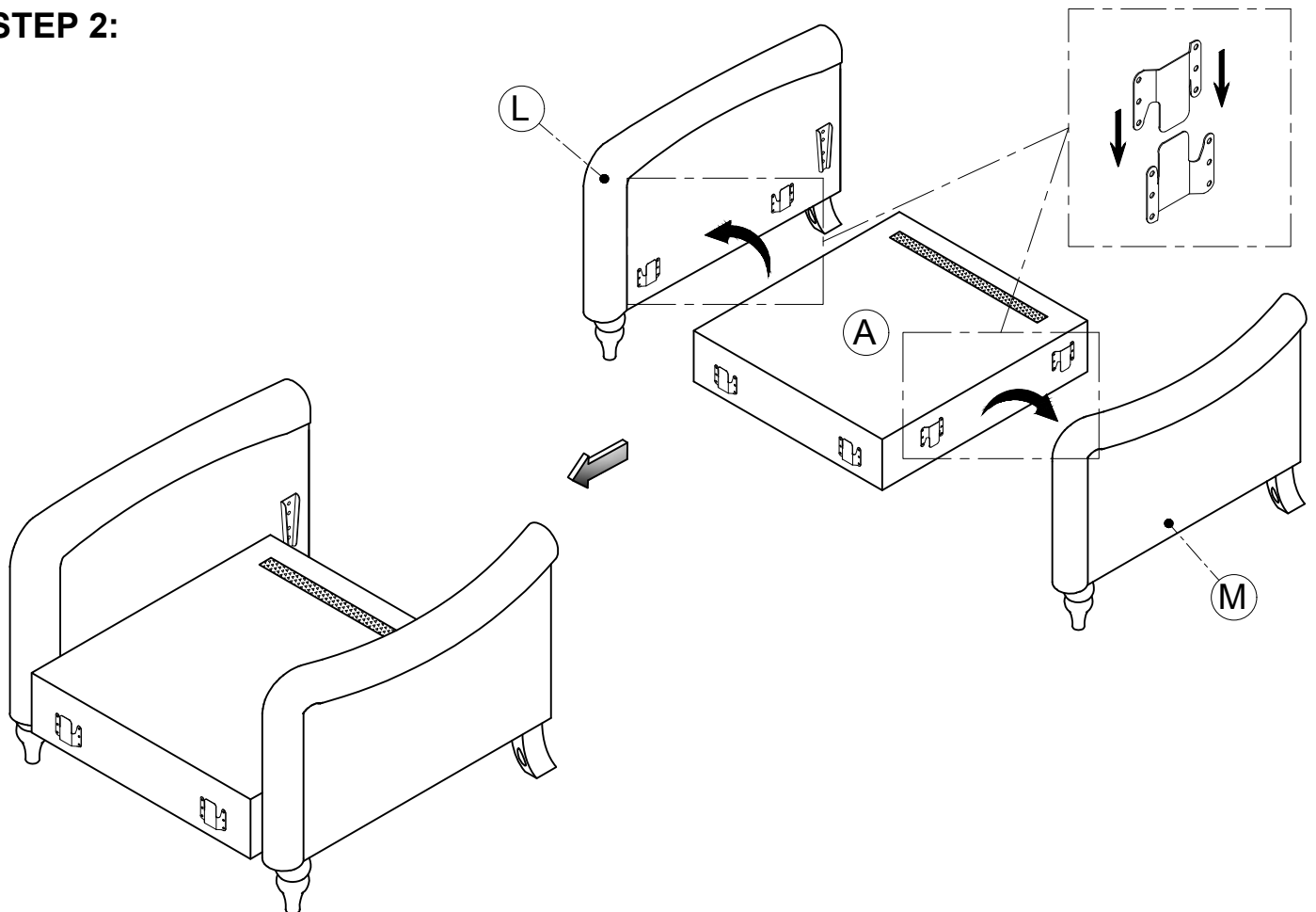


						
<p>Loveseat Frame x 1 pc</p>	<p>Pull Seat x 1 pc</p>	<p>Backrest Frame x 1 pc</p>	<p>Backrest Cushion x 1 pc</p>	<p>Seat Cushion x 1 pc</p>	<p>Pillows x 2 pcs</p>	<p>Legs x 4 pcs</p>
						
<p>Lean Legs x 2 pcs</p>	<p>Bolt 5/16" x 65mm x 2 pcs</p>	<p>Flat Washer Ø8 5/16" x 2 pcs</p>	<p>Allen Key x 1 pc</p>	<p>Left Arm x 1 pc</p>	<p>Right Arm x 1 pc</p>	<p>Page 4 of 8</p>

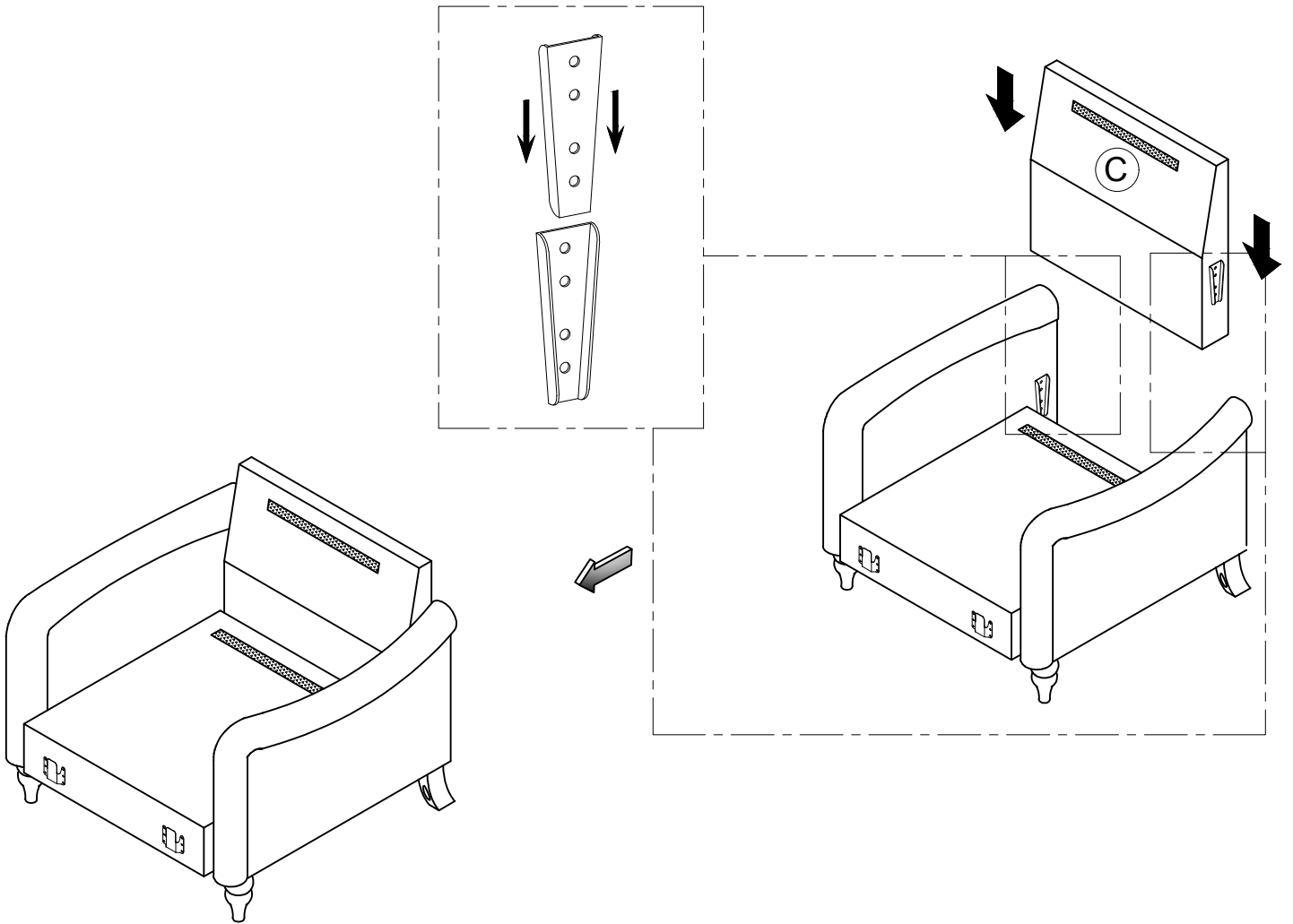
**STEP 1:**



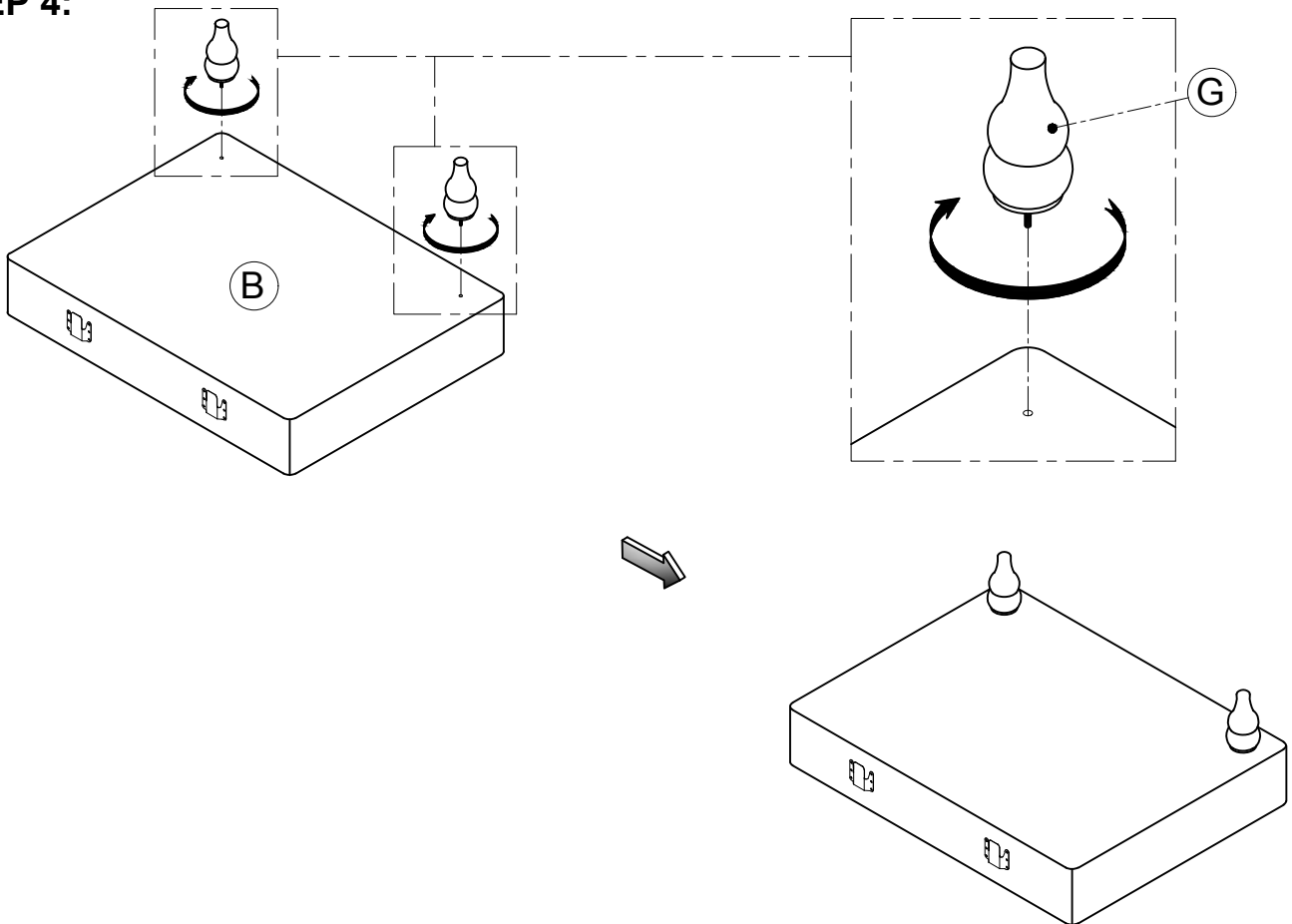
**STEP 2:**



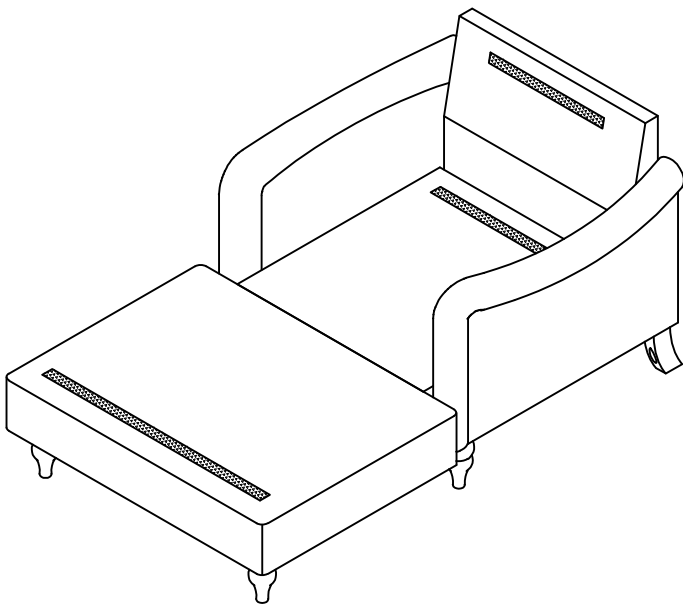
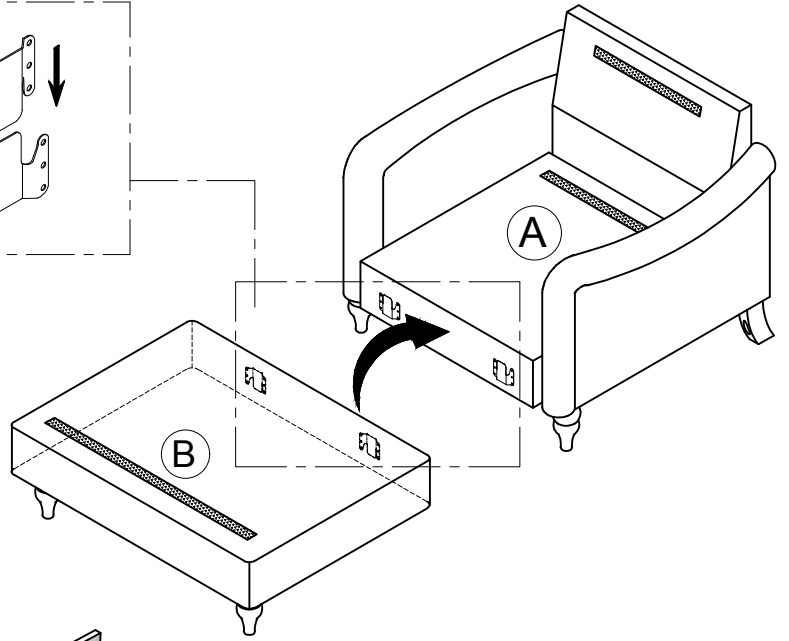
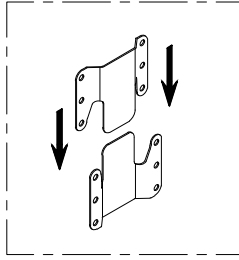
**STEP 3:**



**STEP 4:**



**STEP 5:**



## Helpful Hints

- Sofa bed can transform into a sleeper.
- Move your new furniture carefully, with two people lifting and carrying the unit to its new location.
- Your furniture can be disassembled and reassembled to move.
- Clean the product with a soft damp cloth. DO NOT use harsh chemicals or abrasive cleaners.

## COMPLETED

