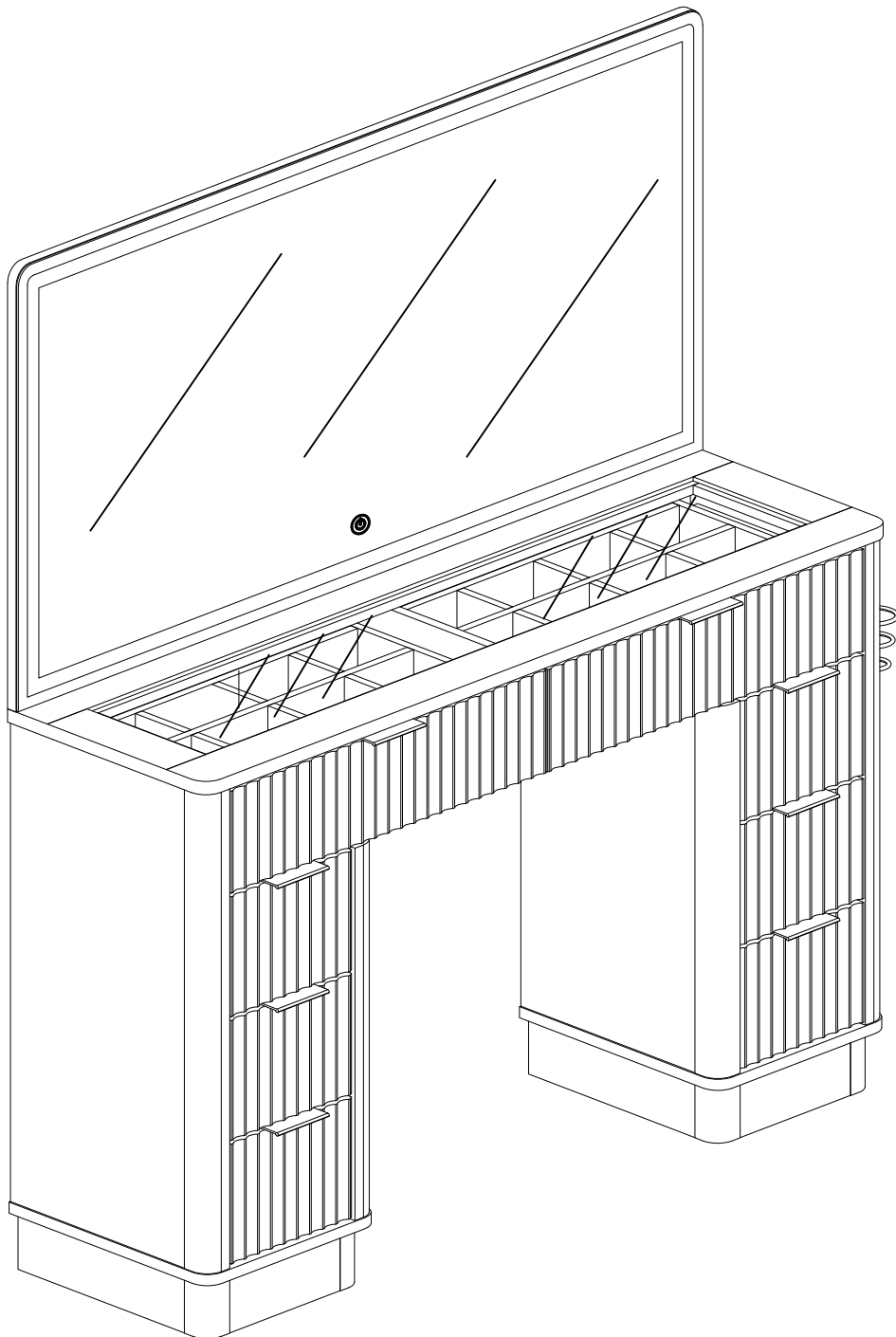
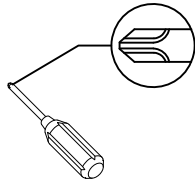


# Assembly Instructions

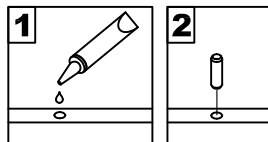


# General Assembly Guidelines

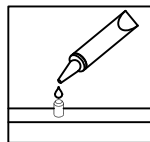
- I. Ensure that all parts and hardware are available before beginning assembly.
- II. Follow each step carefully to ensure the proper assembly of this product.
- III. Two people are recommended for ease in the assembly of this product.
- IV. A Phillips head screwdriver is required for the assembly of this product .



- V. The provided glue is to secure wood dowels in place . When first inserting dowels , locate the appropriate hole for the dowel , place a small amount of glue in the hole and insert the dowel . Wipe away excess glue immediately.

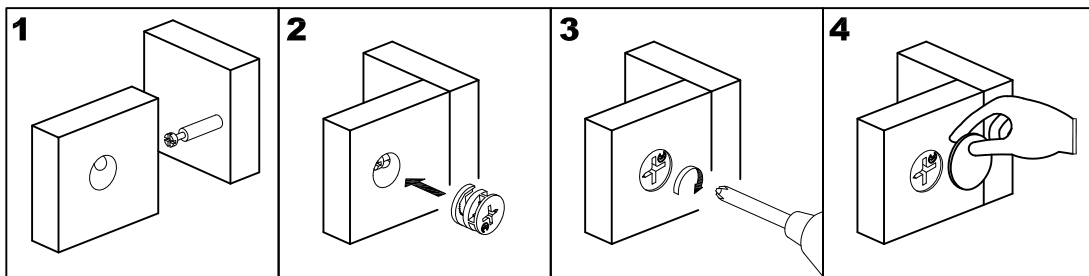


In future assembly steps when dowels are necessary to attach assembly parts together , place a small amount of glue on the end of the dowel before attaching parts together . Wipe away excess glue immediately.

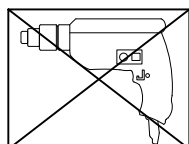


## VI HOW THE KNOCK DOWN (KD) ASSEMBLY SYSTEM WORKS

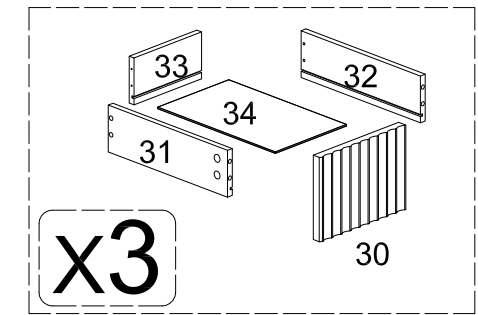
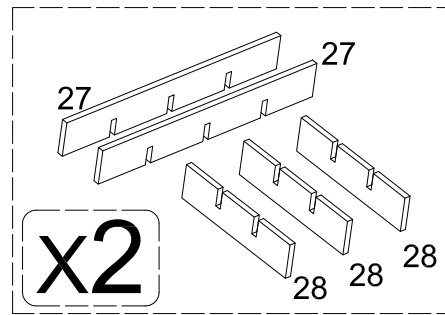
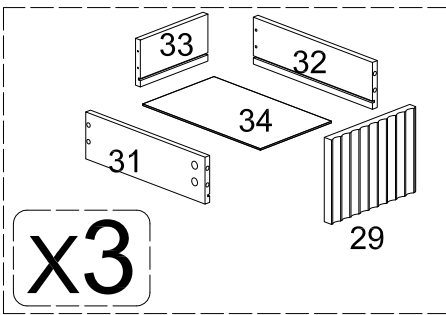
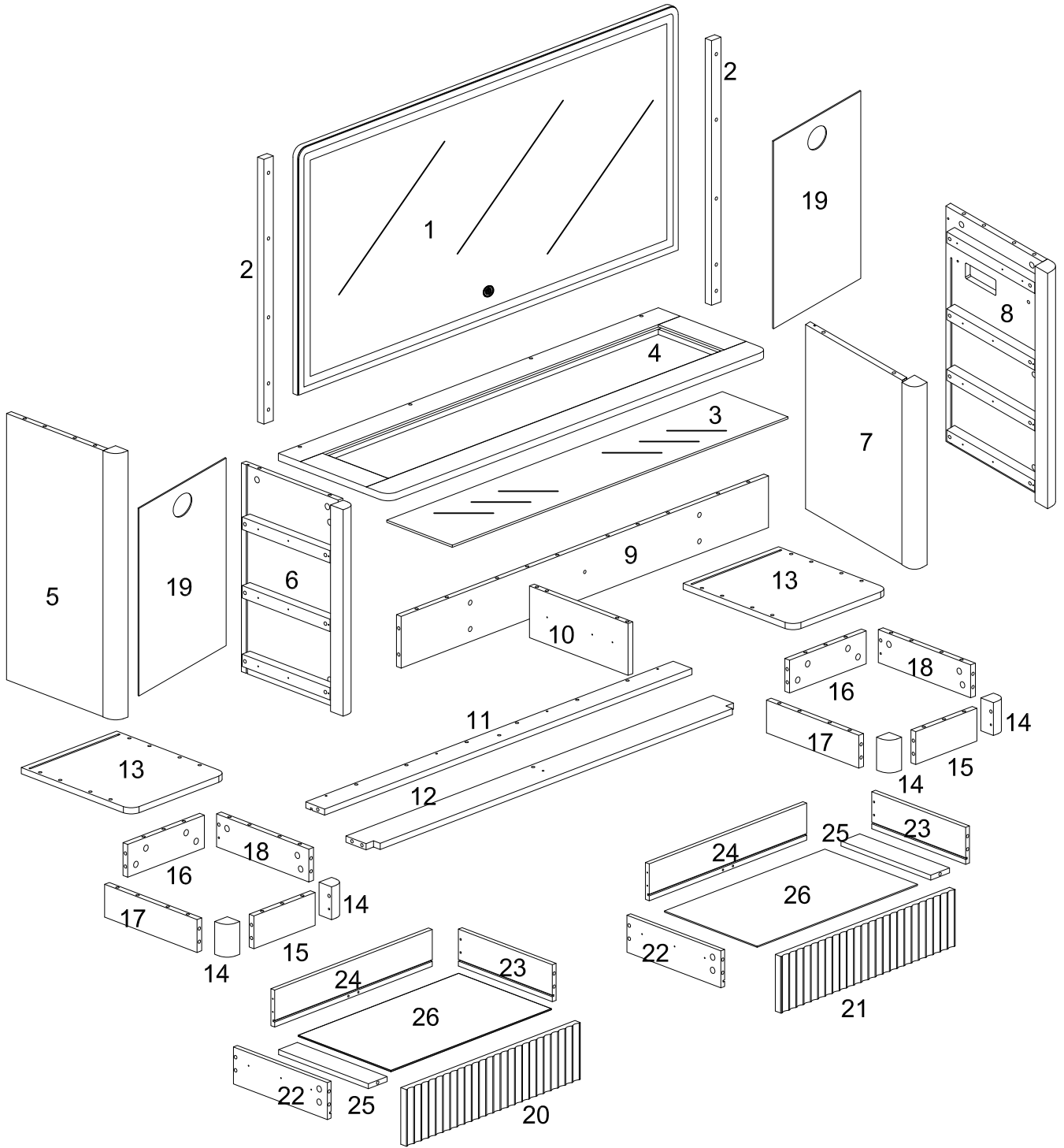
- 1.Screw the Cam Bolt into the pre-drilled hole on the panel. Make sure Cam Bolt goes into the pre-drilled hole on the end of panel for Cam Lock.
- 2.Insert the Cam Lock into the pre-drilled large hole on the panel. Make sure the arrow on the face of Cam Lock points towards Cam Bolt.
- 3.Take a Phillips screwdriver and rotate the Cam Lock clockwise to lock the Cam Bolt.
- 4.Use the sticker to conceal the Cam.




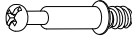




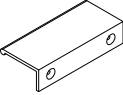
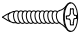
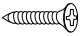
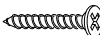

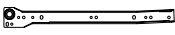

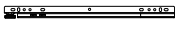


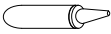
- VII. Power tools should not be used to assemble this product .

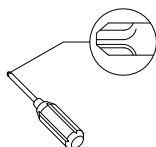


# Parts List



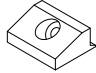
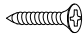



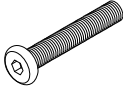

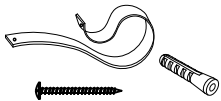


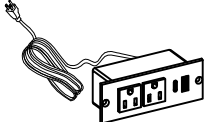
# Hardware List

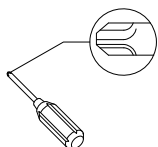
A		Ø8x30mm	Long Dowel	56 pcs
B		Ø6x35mm	Cam Bolt	82 pcs
C		Ø15x12mm	Large Cam Lock	48 pcs
D		Ø15x10mm	Small Cam Lock	34 pcs
E		Ø30mm	Cover	82 pcs
F		Ø8x20mm	Short Dowel	4 pcs
G			Handle	8 pcs
H		Ø3.5x14mm	Screw	16 pcs
I		Ø3.5x12mm	Screw	80 pcs
J		Ø4*38mm	Screw	36 pcs
K		12"	Left Glide Track	6 pcs
L		12"	Right Glide Track	6 pcs
M		12"	Left Glide Runner	6 pcs
N		12"	Right Glide Runner	6 pcs
O		Ø3x12mm	Screw	24 pcs
P		12"	Drawer Slider	2 pcs
Q			Glue Tube	2 pcs



Philips head screwdriver required for assembly  
(not included)

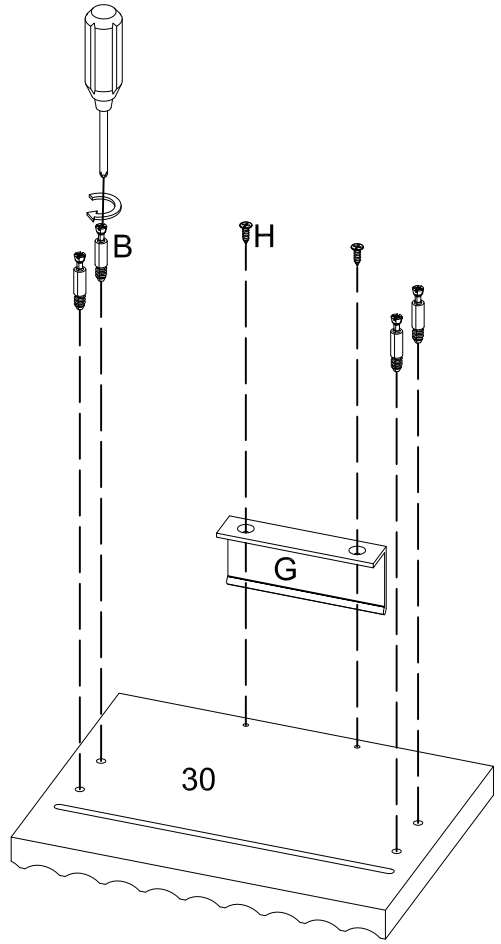
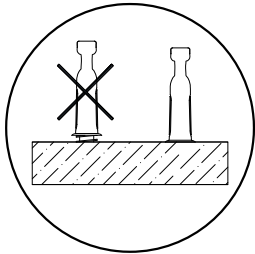
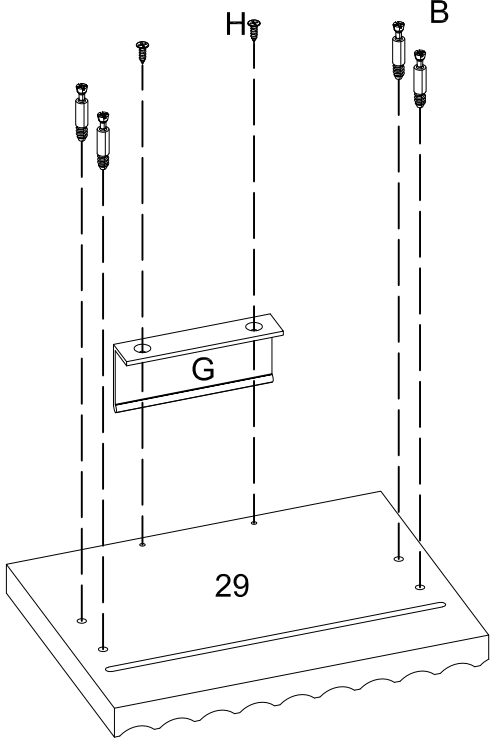
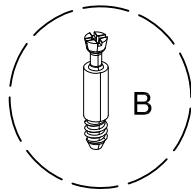
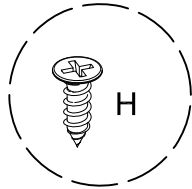
# Hardware List

R			Plastic Wedge	12 pcs
S		Ø3x17mm	Flat-head Screw	12 pcs
T		Ø6x50mm	Screw	14 pcs
U		M4	Allen Wrench	1 pc
V			Metal Plate	3 pcs
W		1/4"x30mm	Bolt	10 pcs
X		Ø4x12mm	Screw	4 pcs
Y			Tipping Restraint Hardware	2 sets
Z			Power Plug	1 pc
AA			Power Plug	1 pc
BB			USB Interface	1 pc



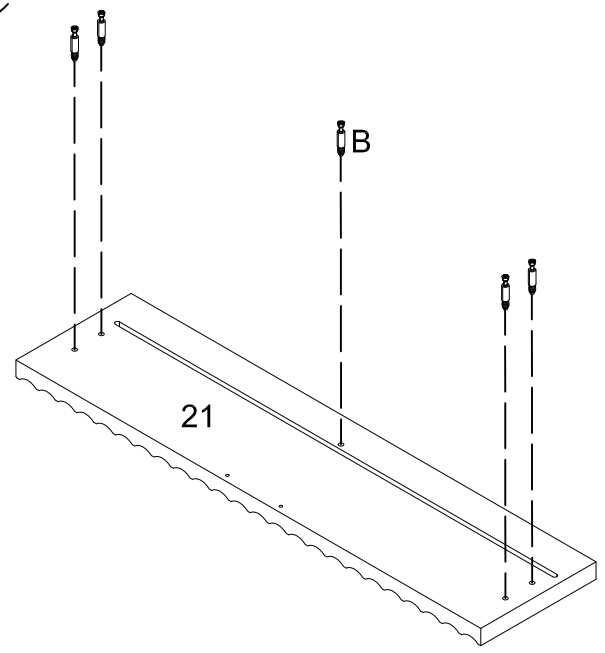
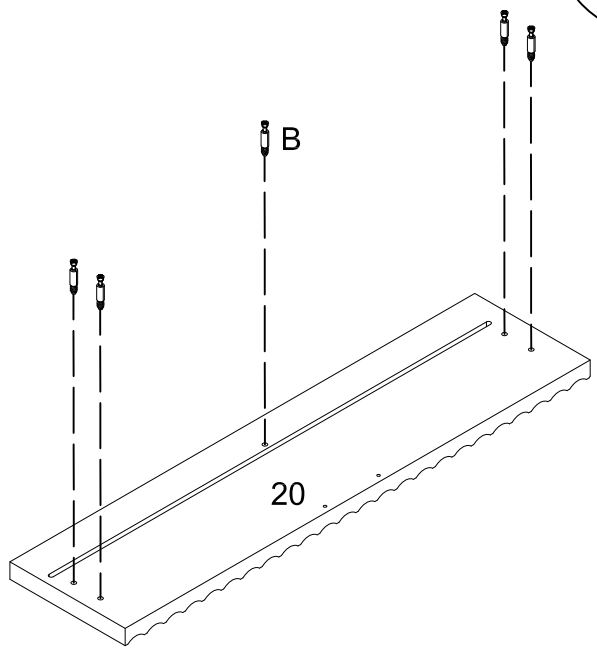
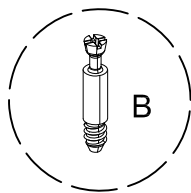
Philips head screwdriver required for assembly  
(not included)

# Step 1

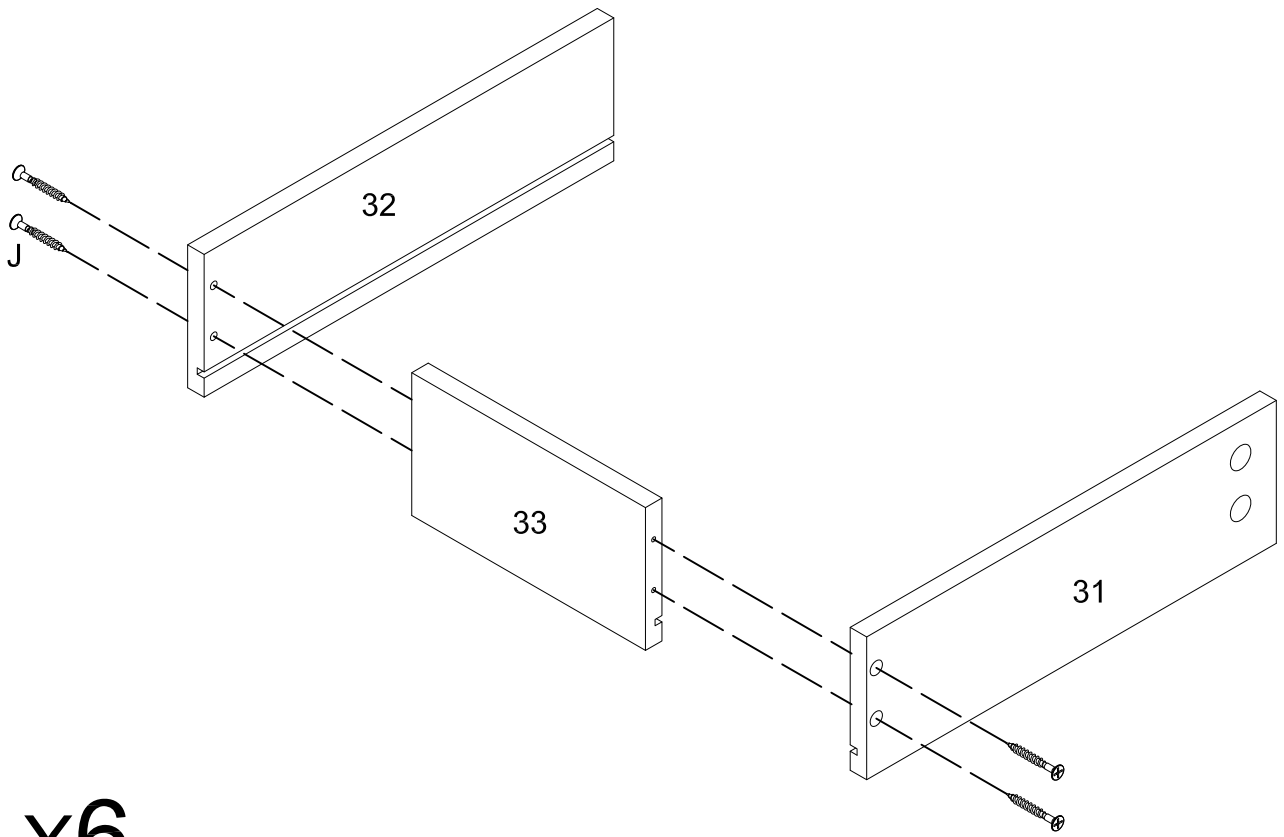


x3

# Step 2

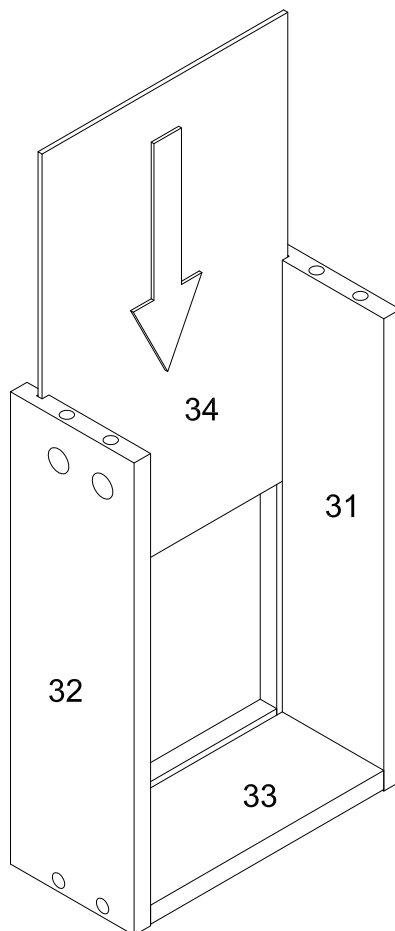


### Step 3



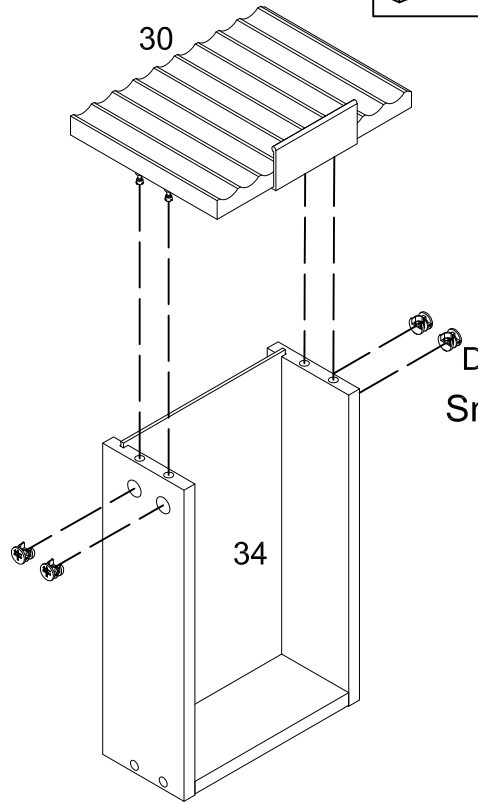
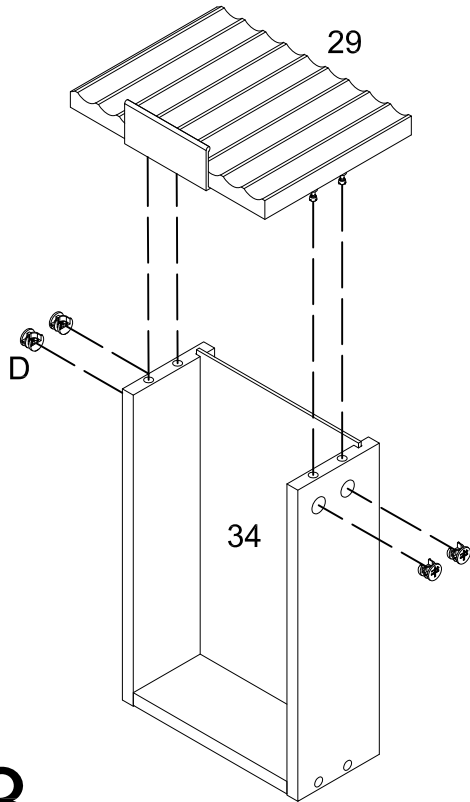
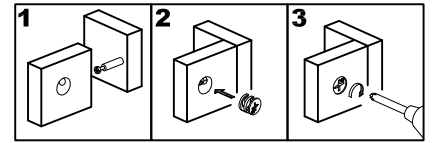
x6

### Step 4



x6

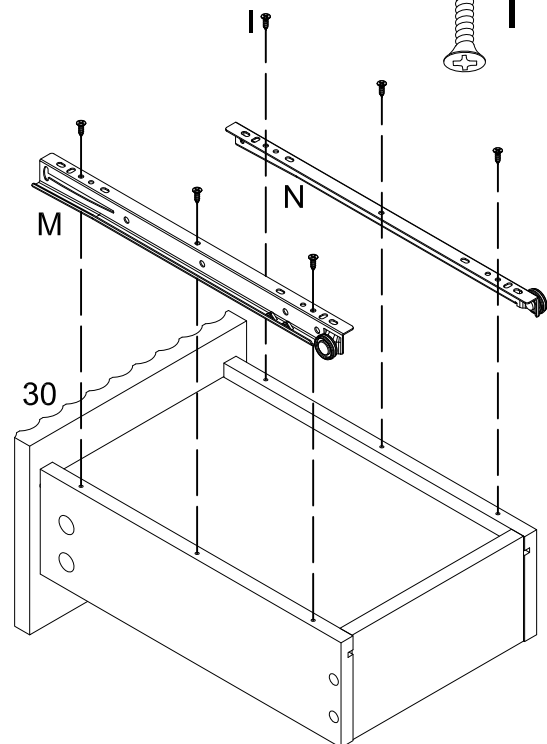
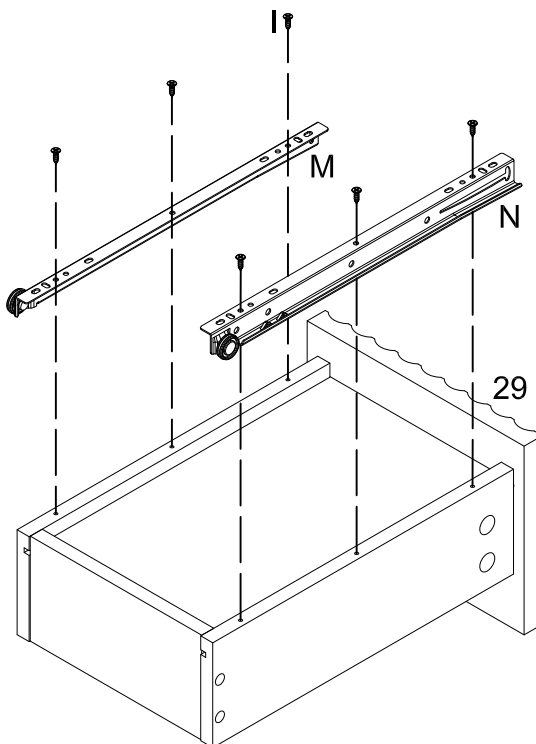
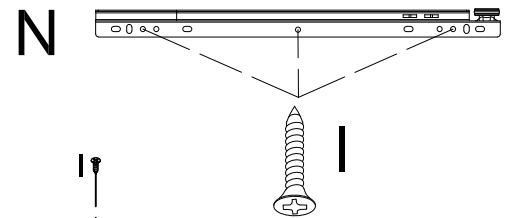
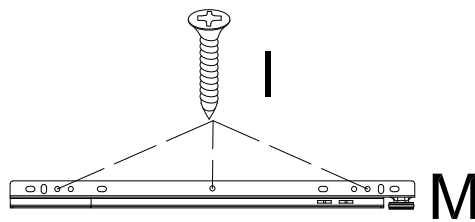
# Step 5



Small Cam Lock

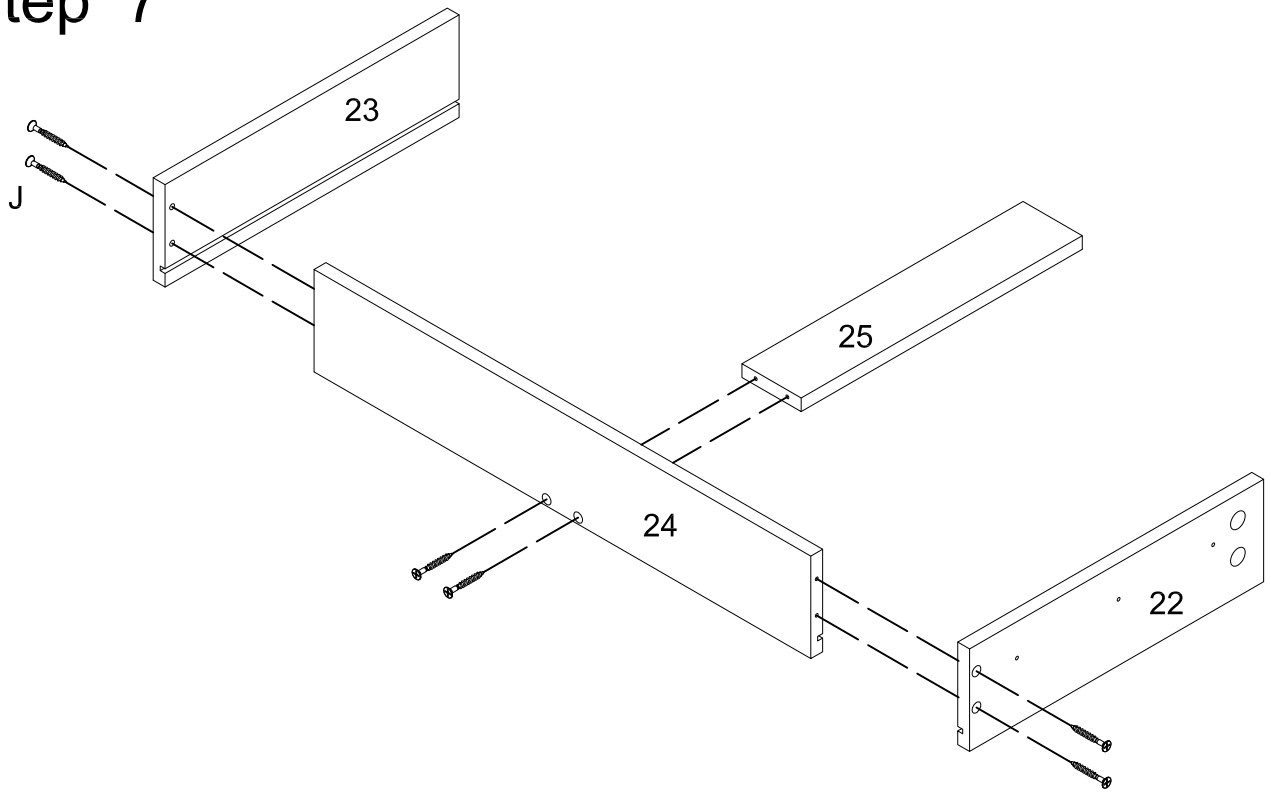
x3

# Step 6



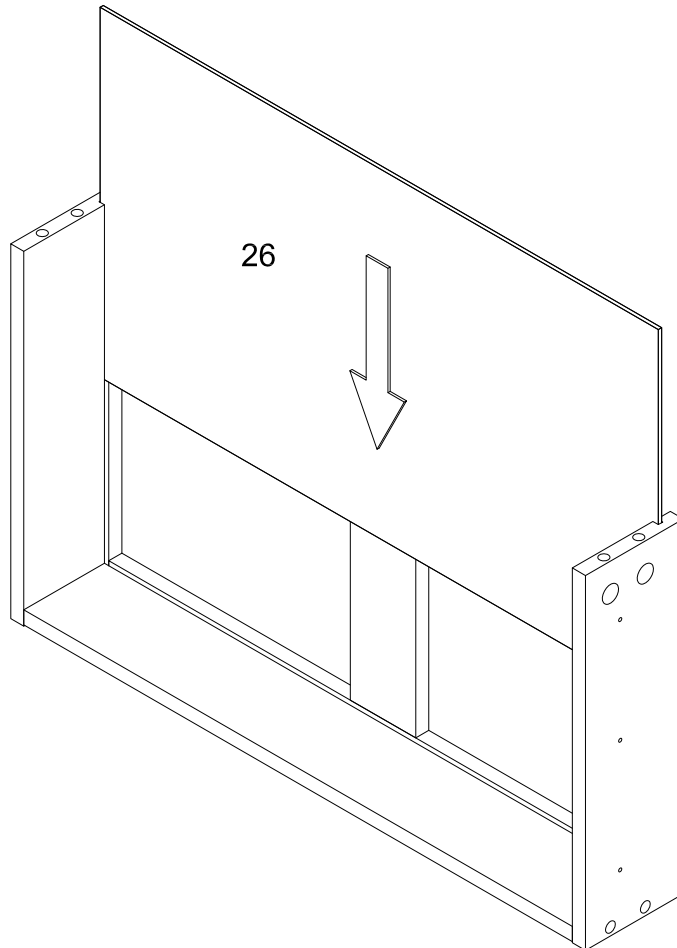
x3

# Step 7



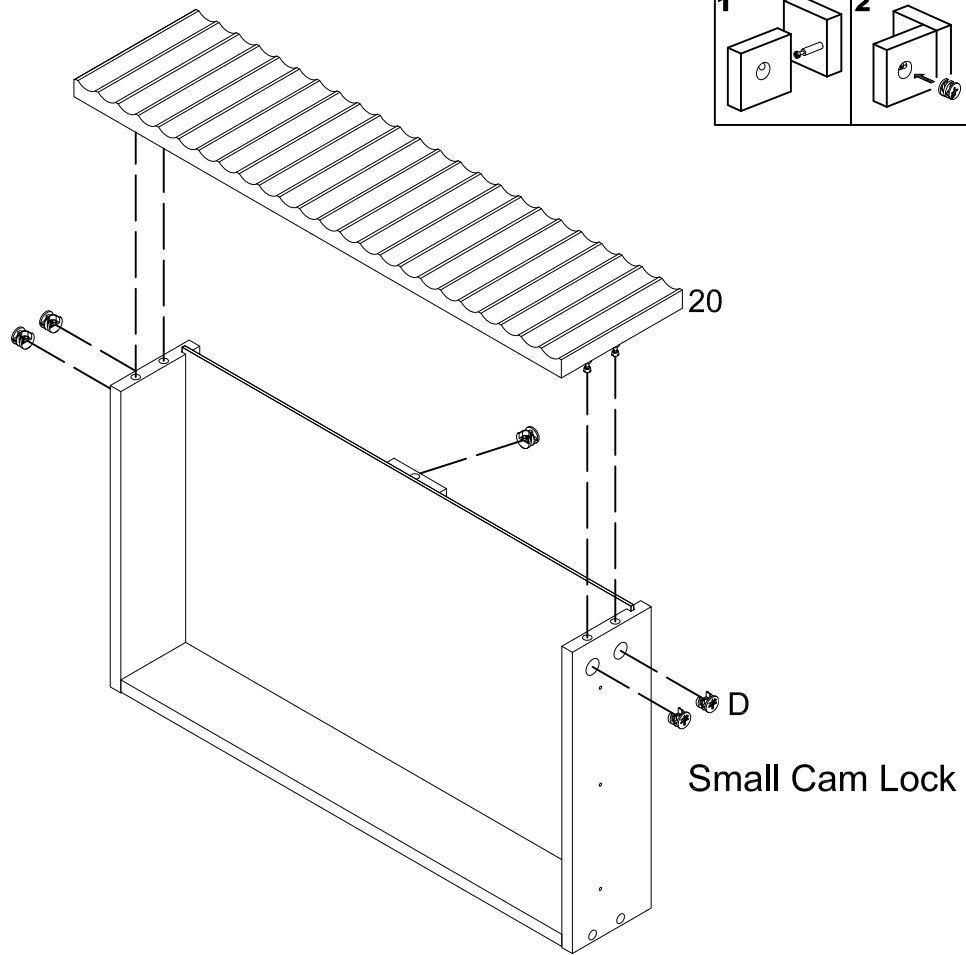
x2

# Step 8

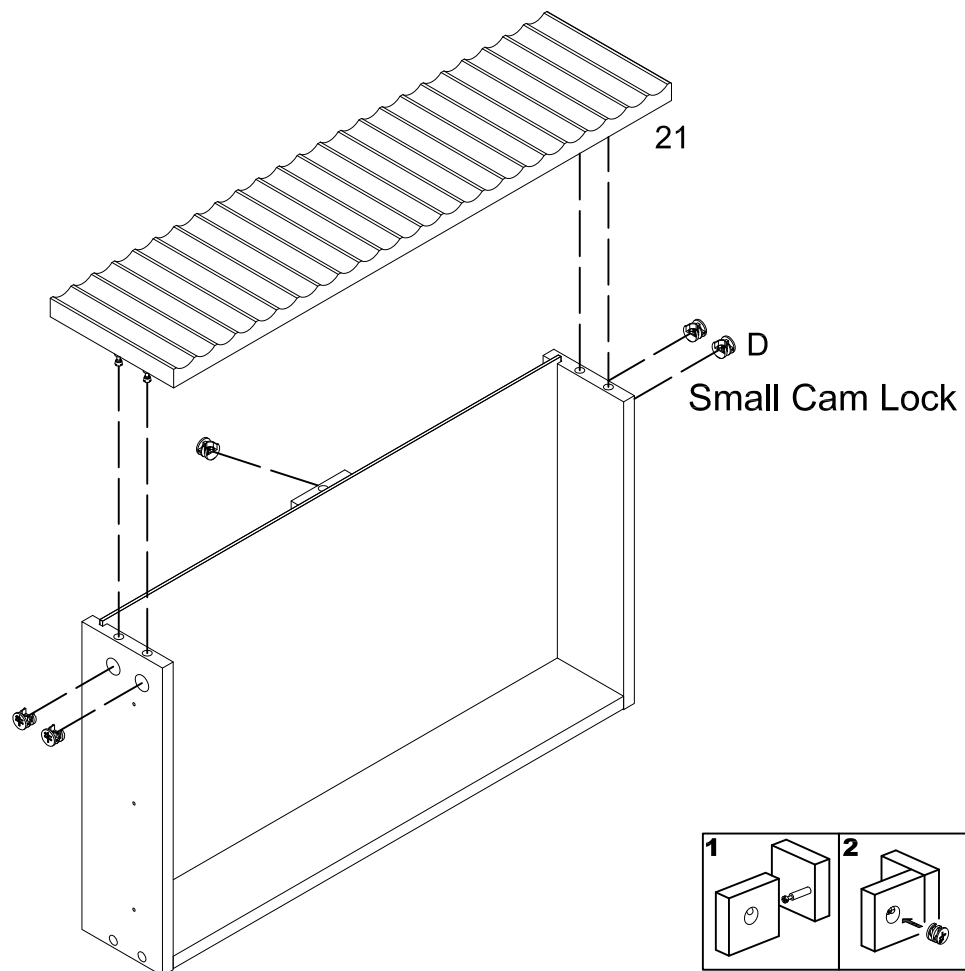


x2

# Step 9

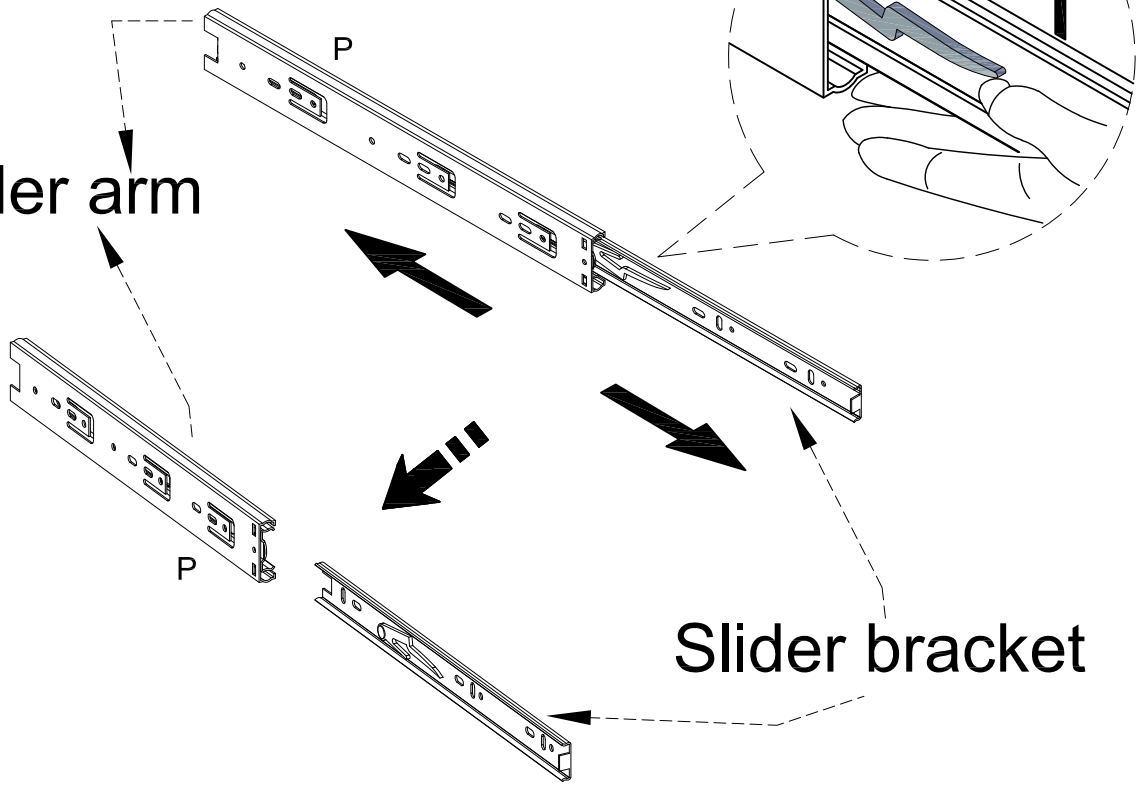


# Step 10



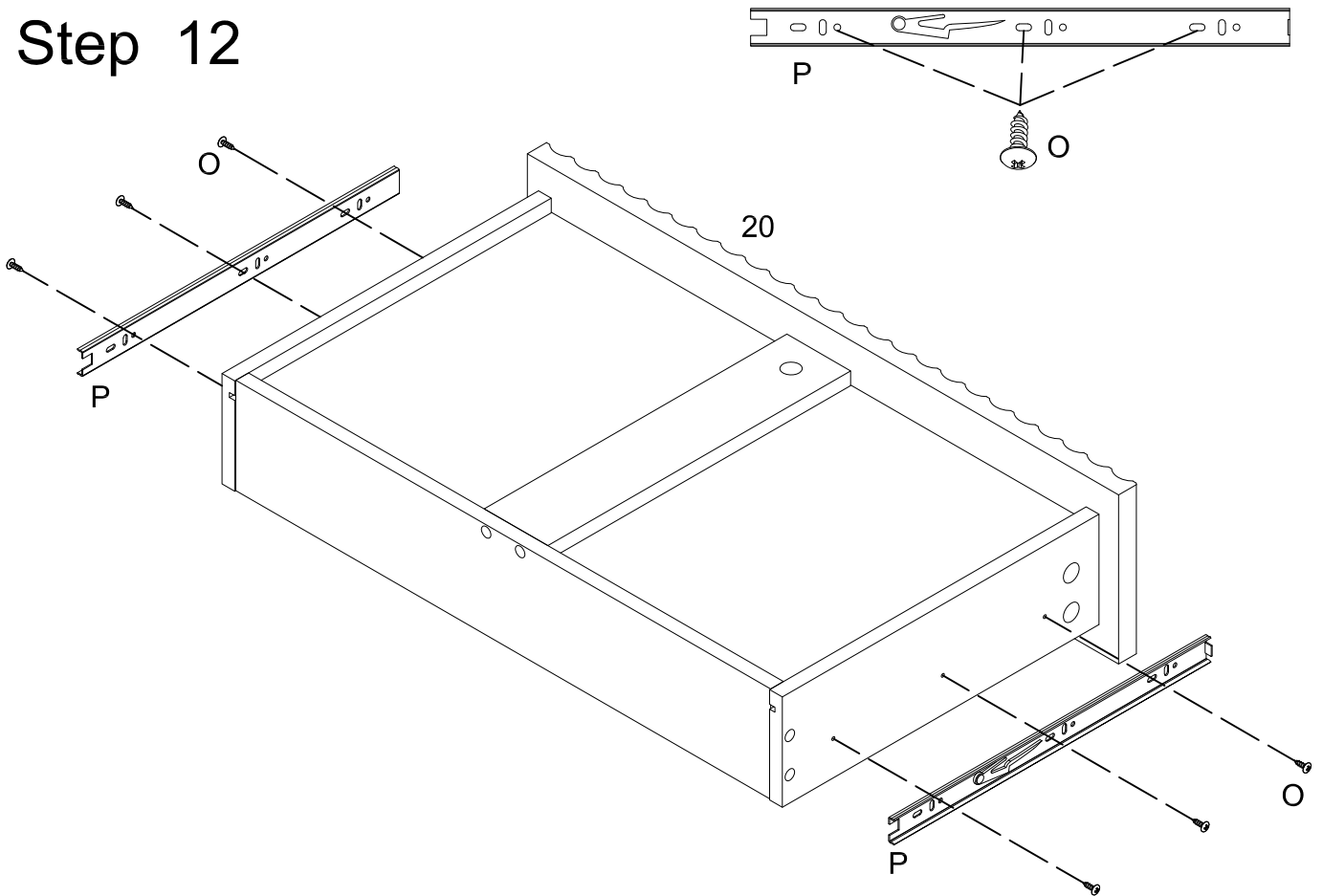
# Step 11

Slider arm

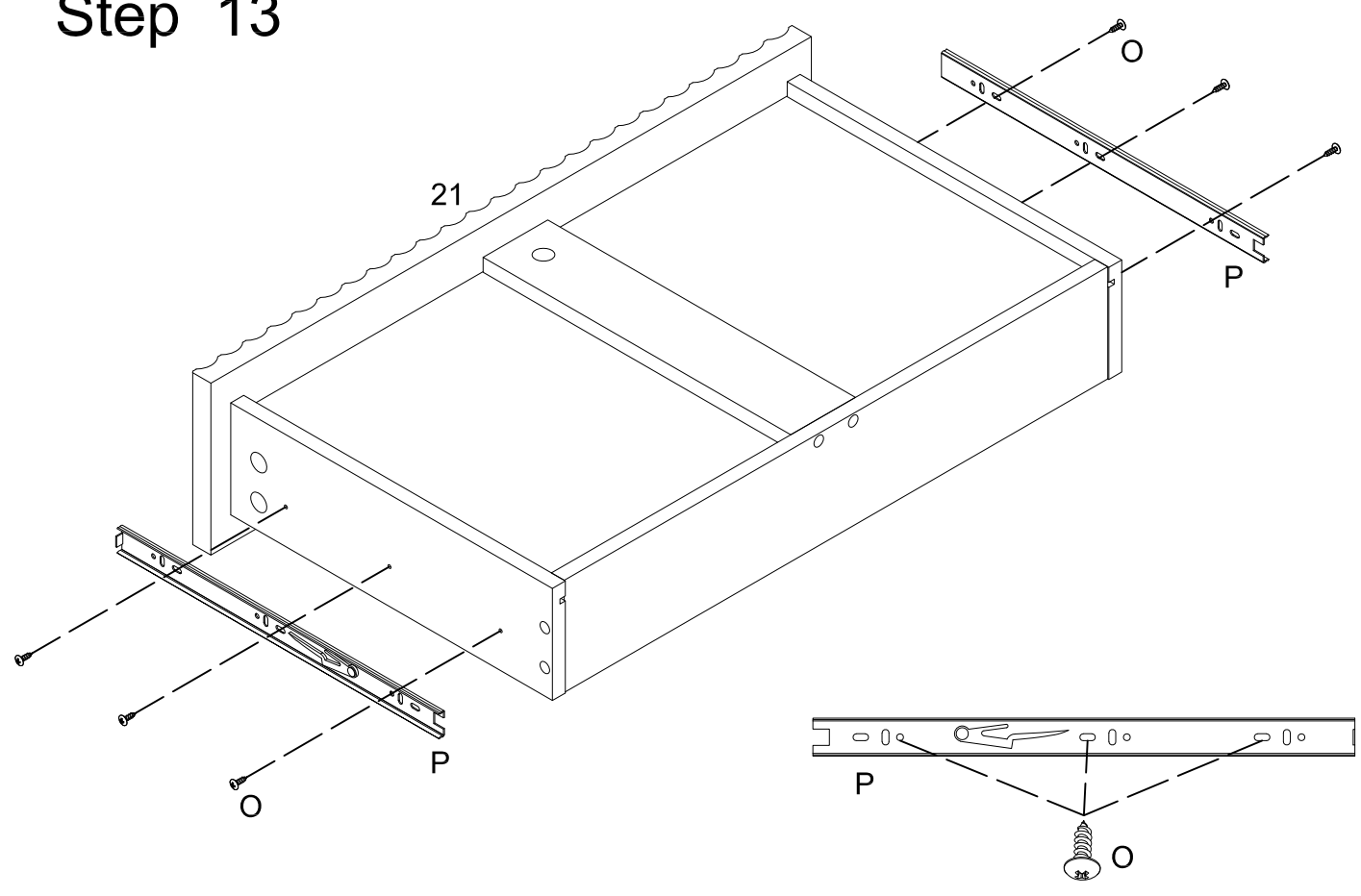


Slider bracket

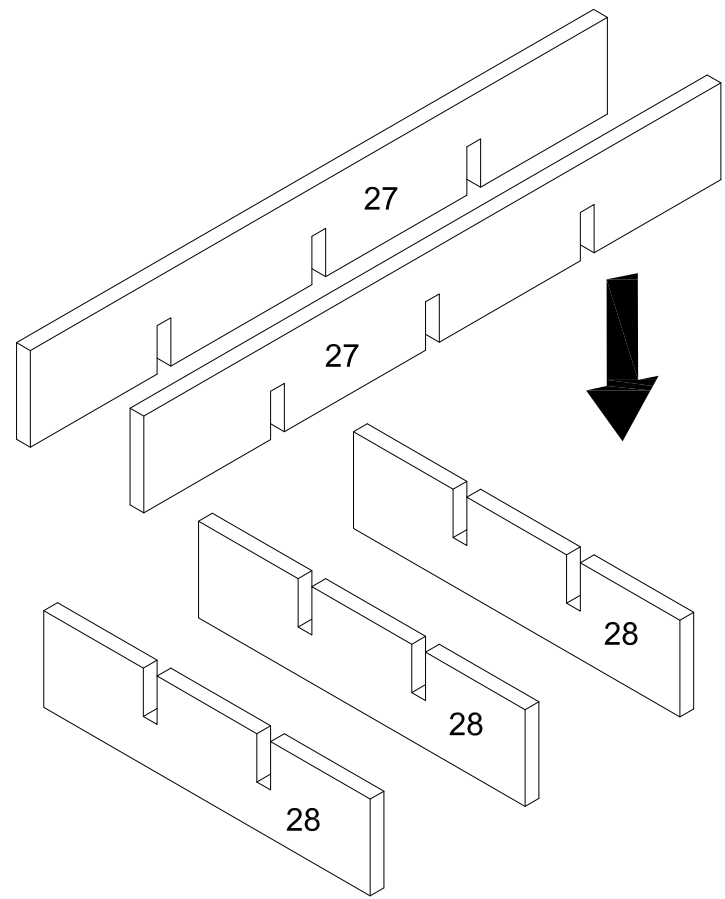
# Step 12



# Step 13

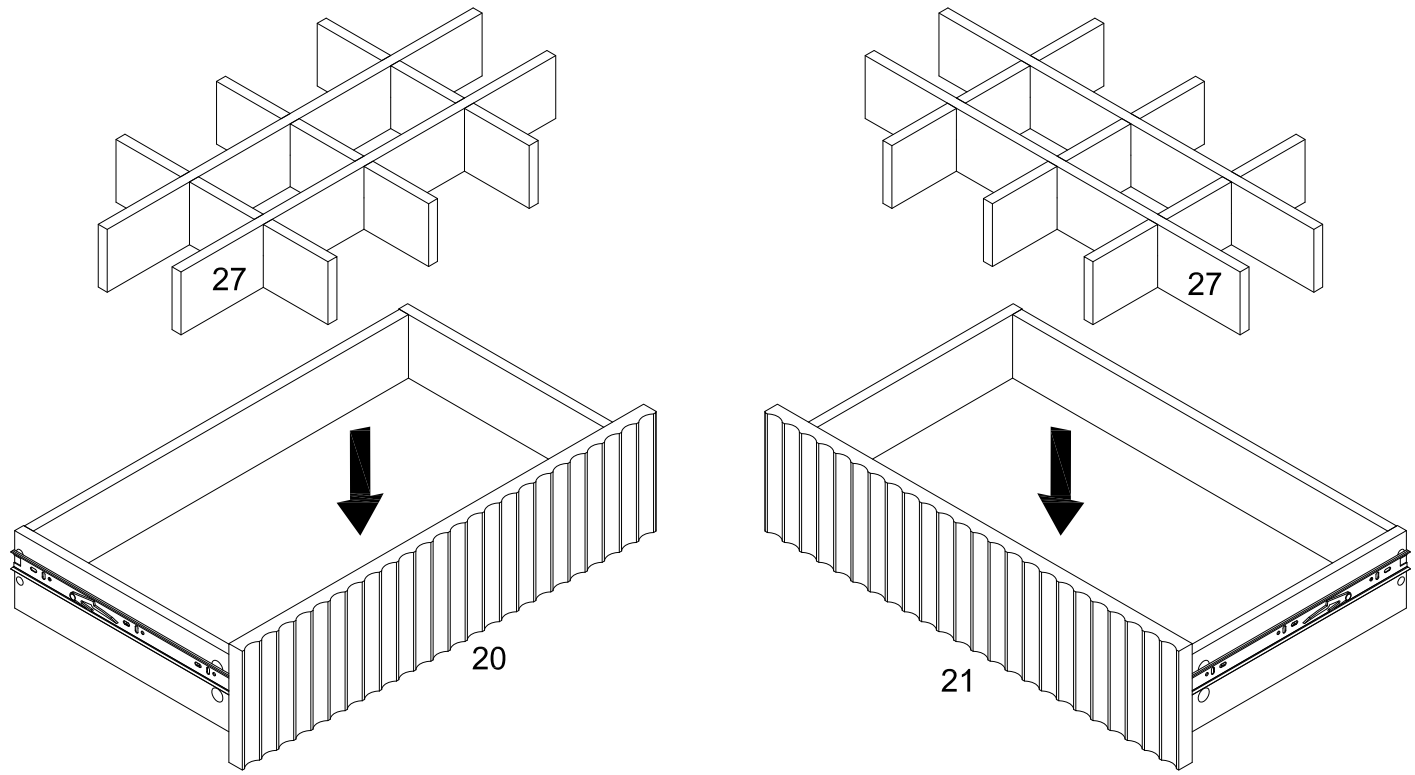


# Step 14

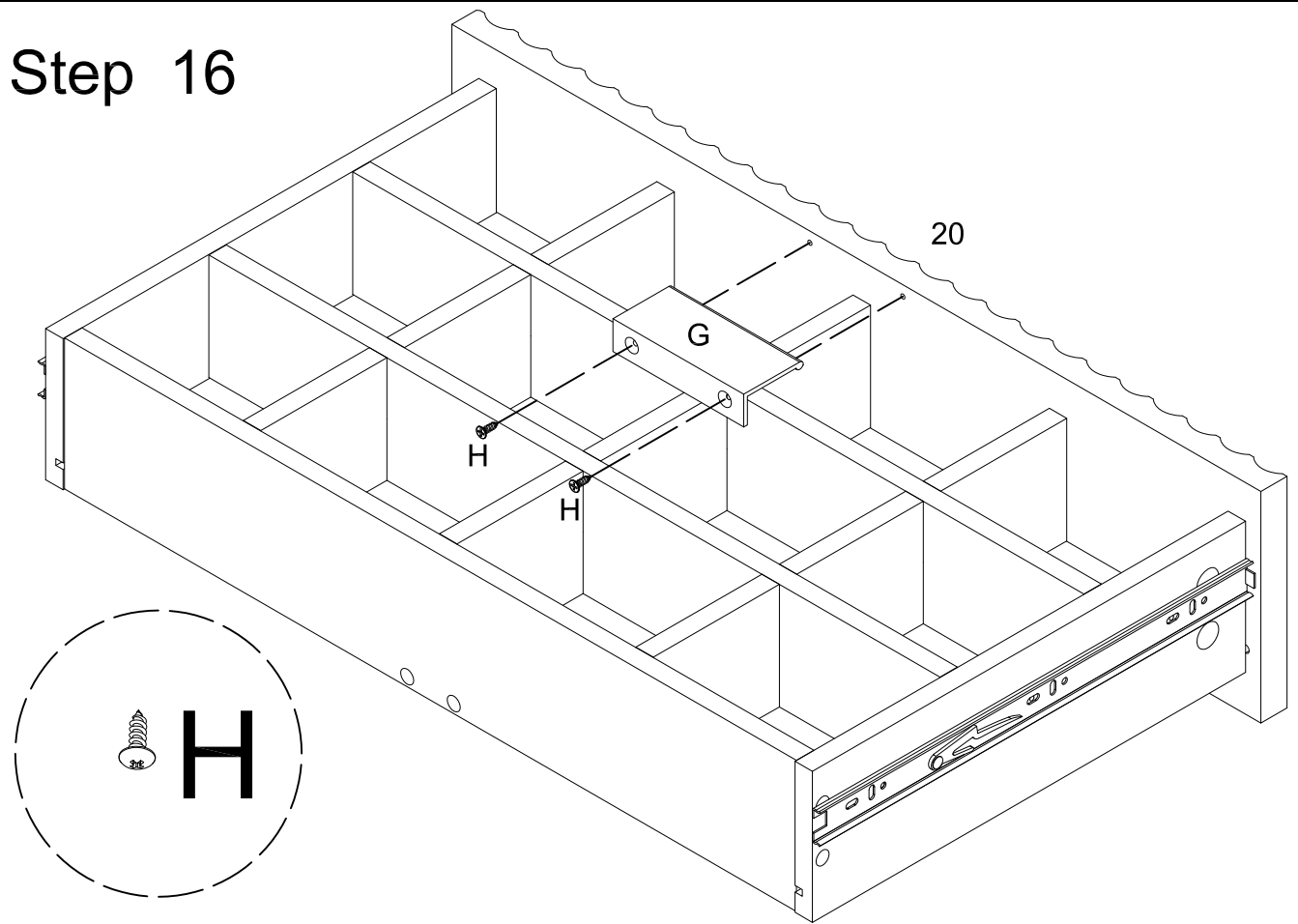


x2

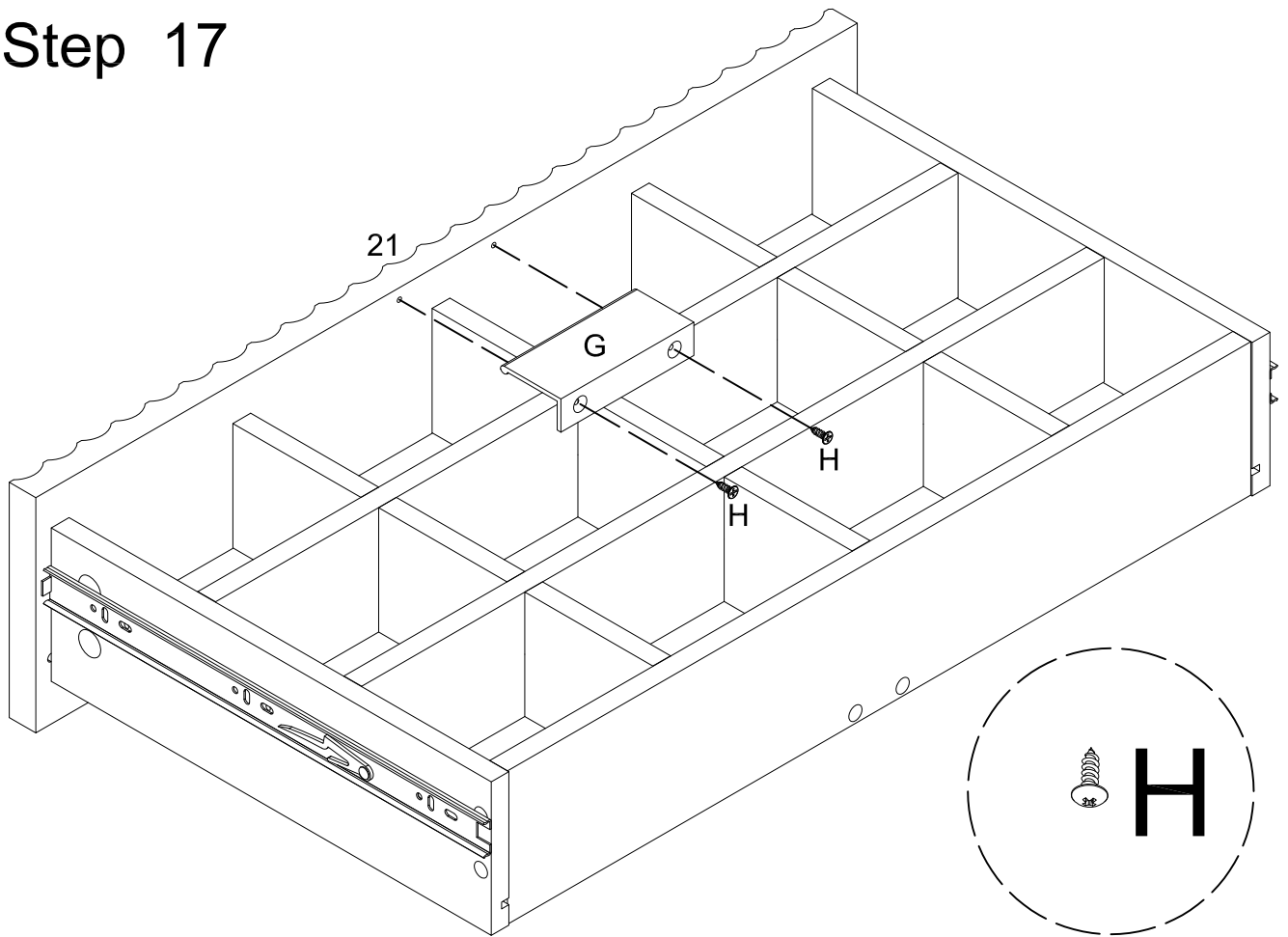
# Step 15



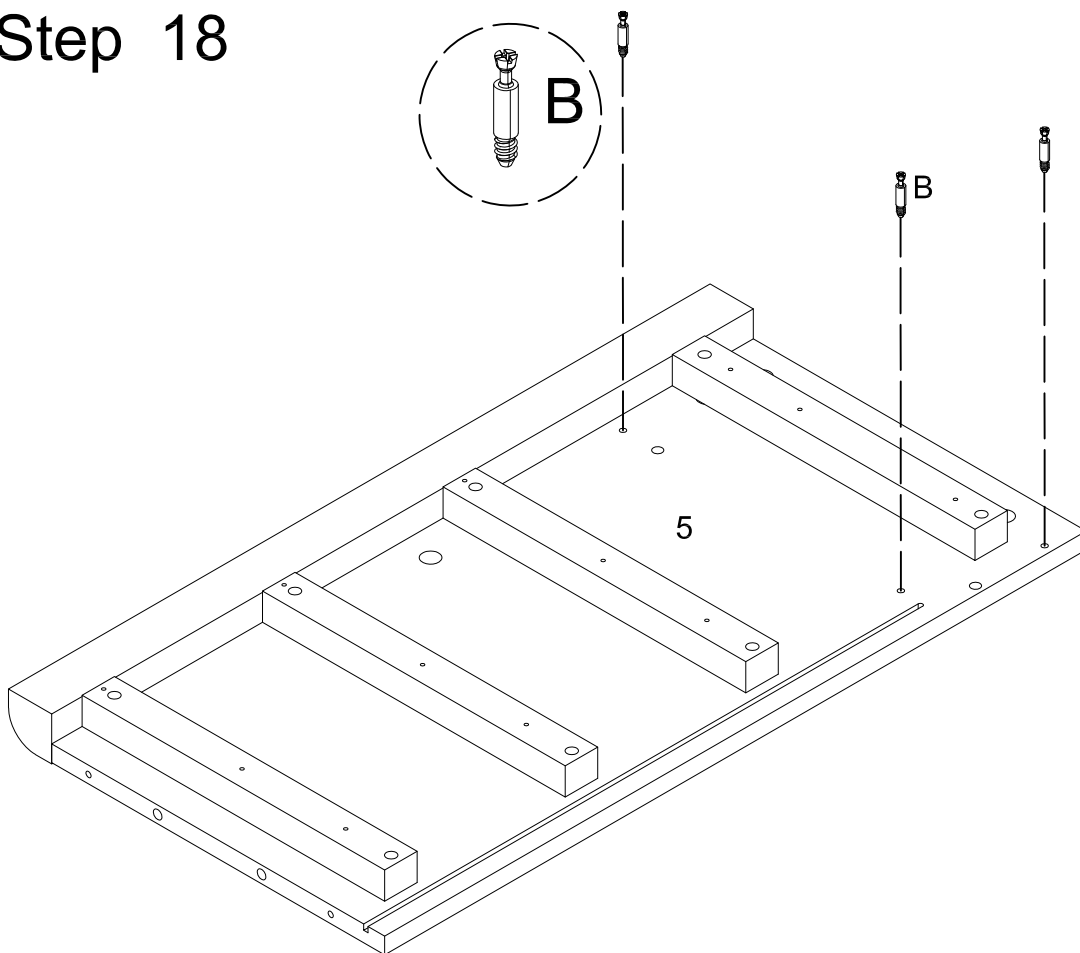
# Step 16



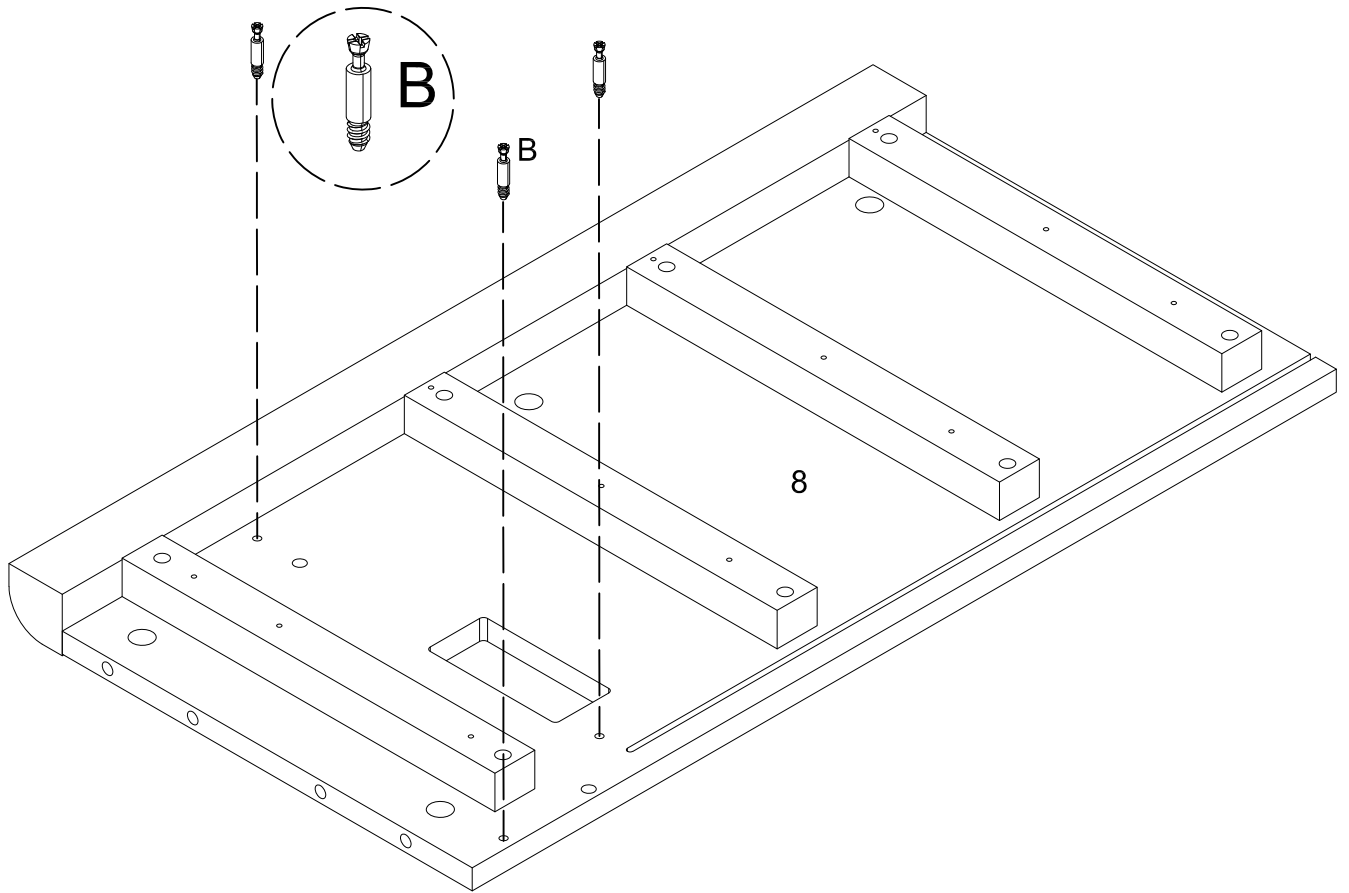
# Step 17



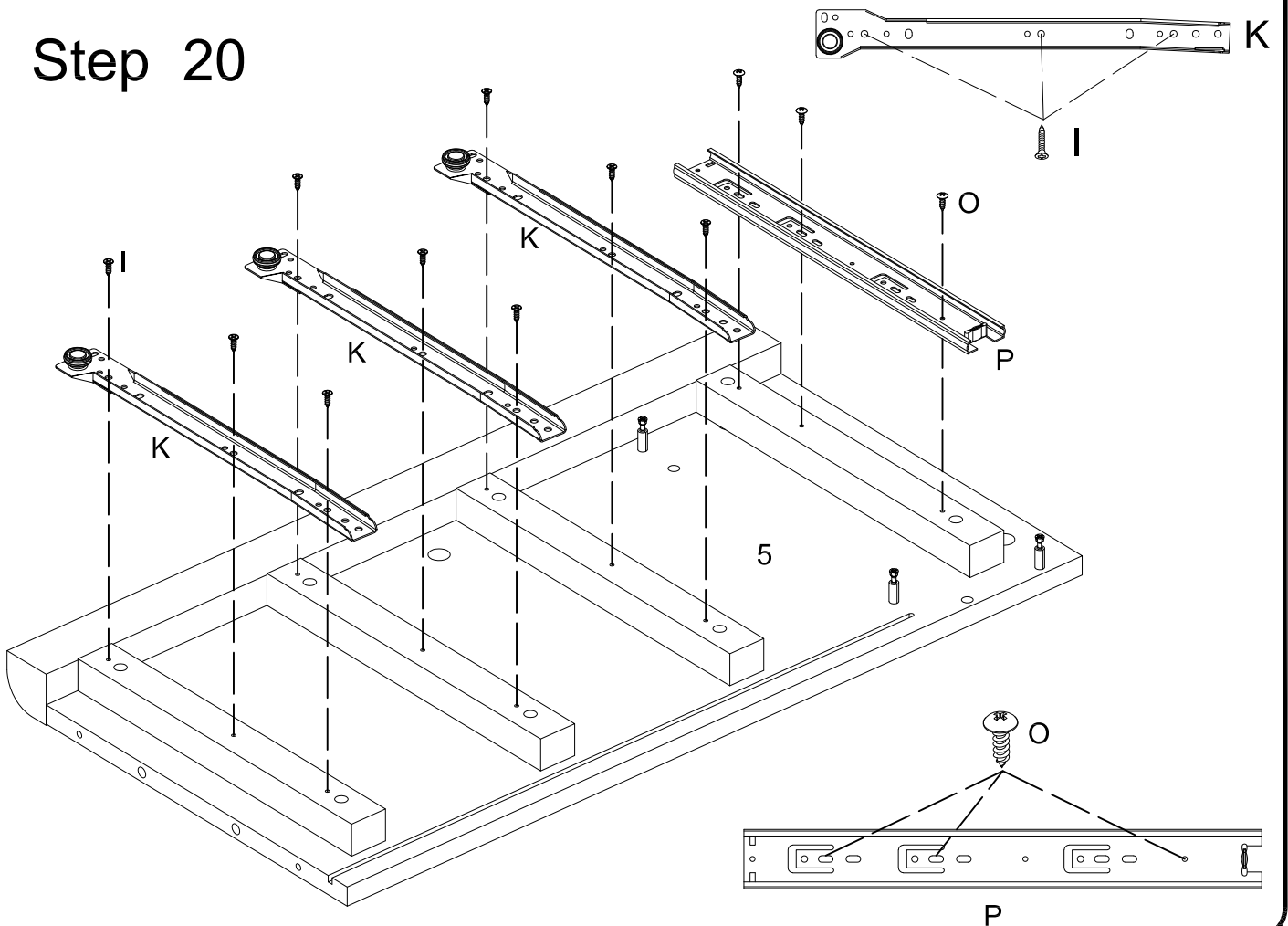
# Step 18



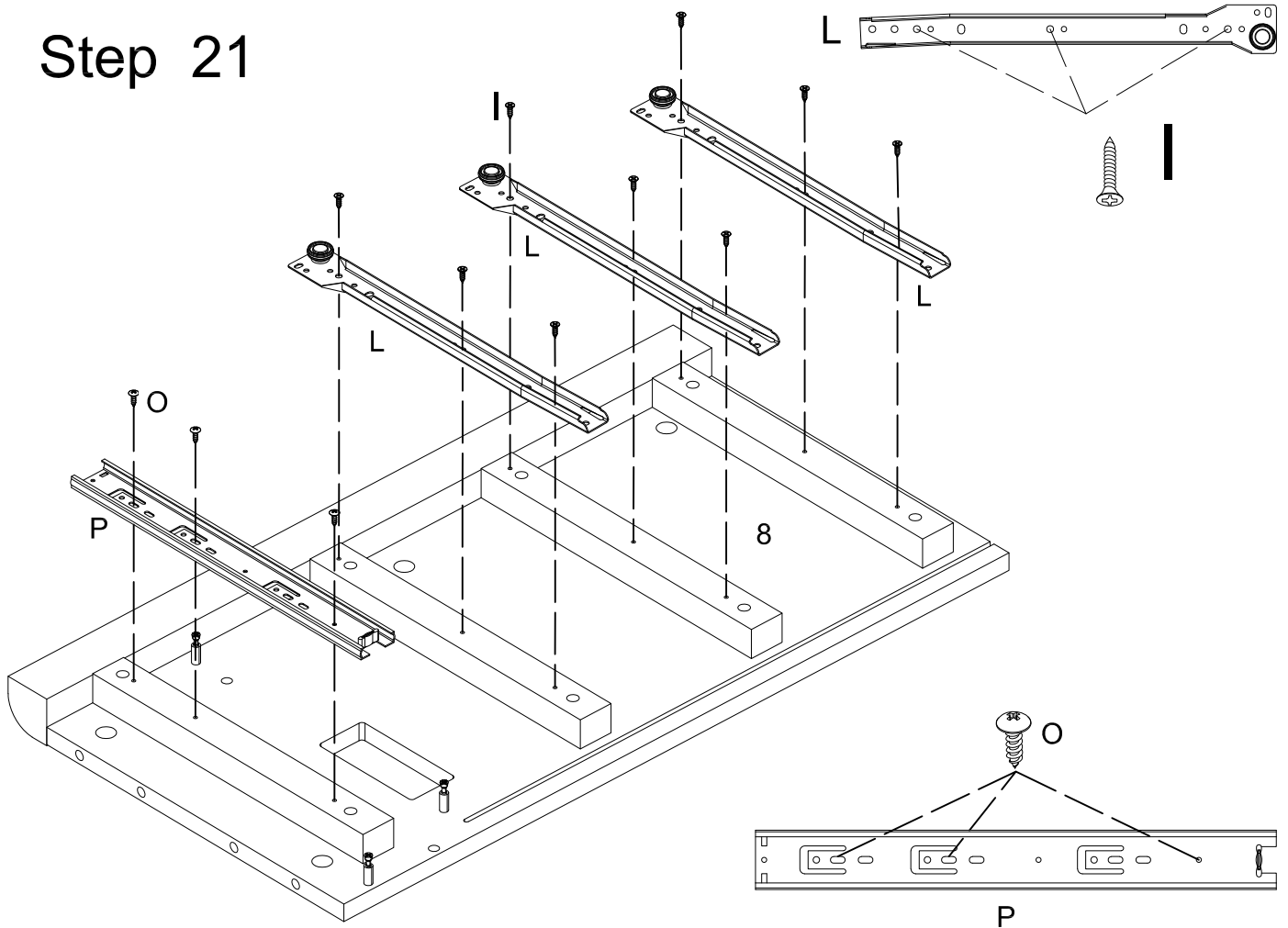
# Step 19



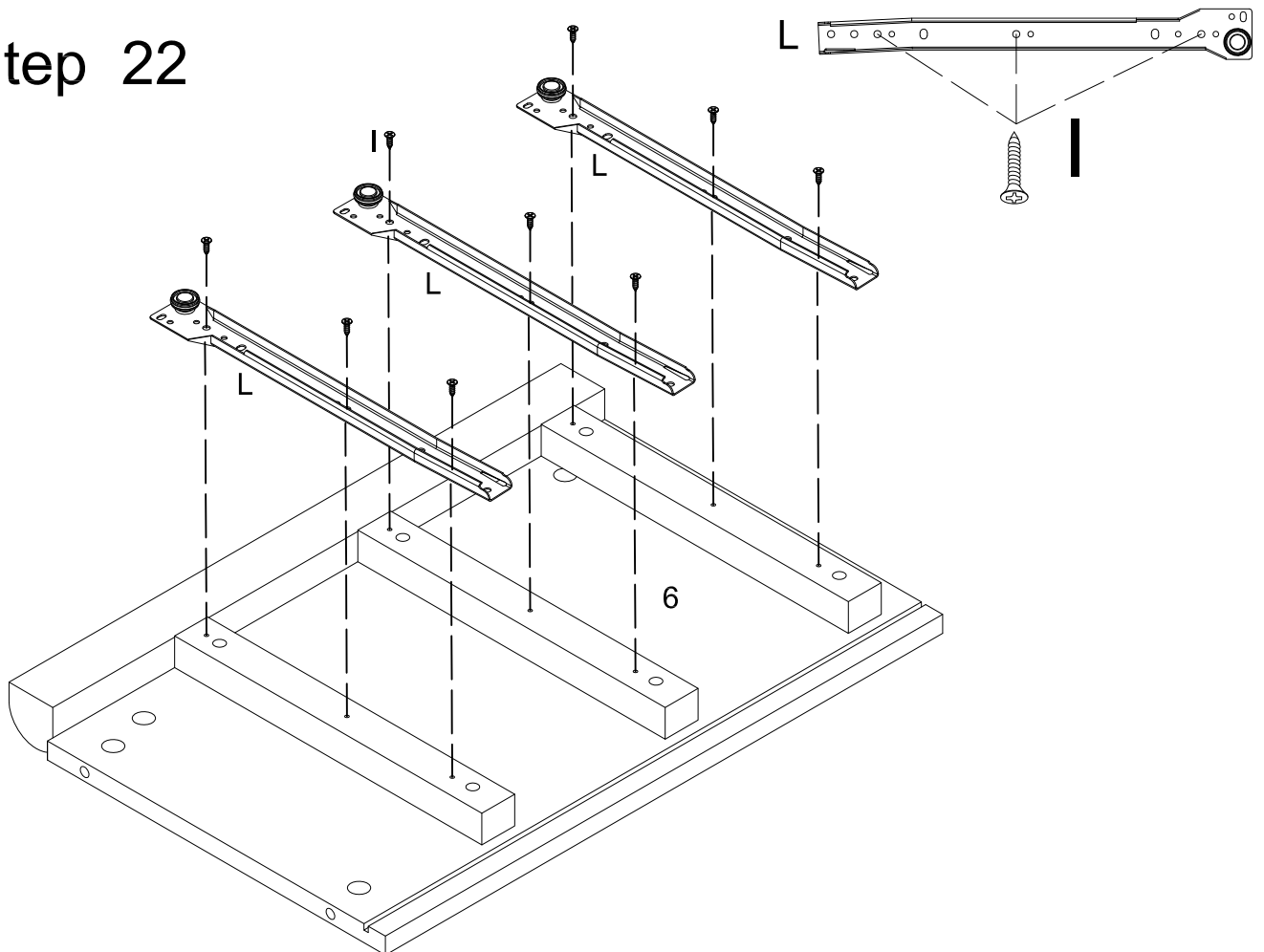
# Step 20



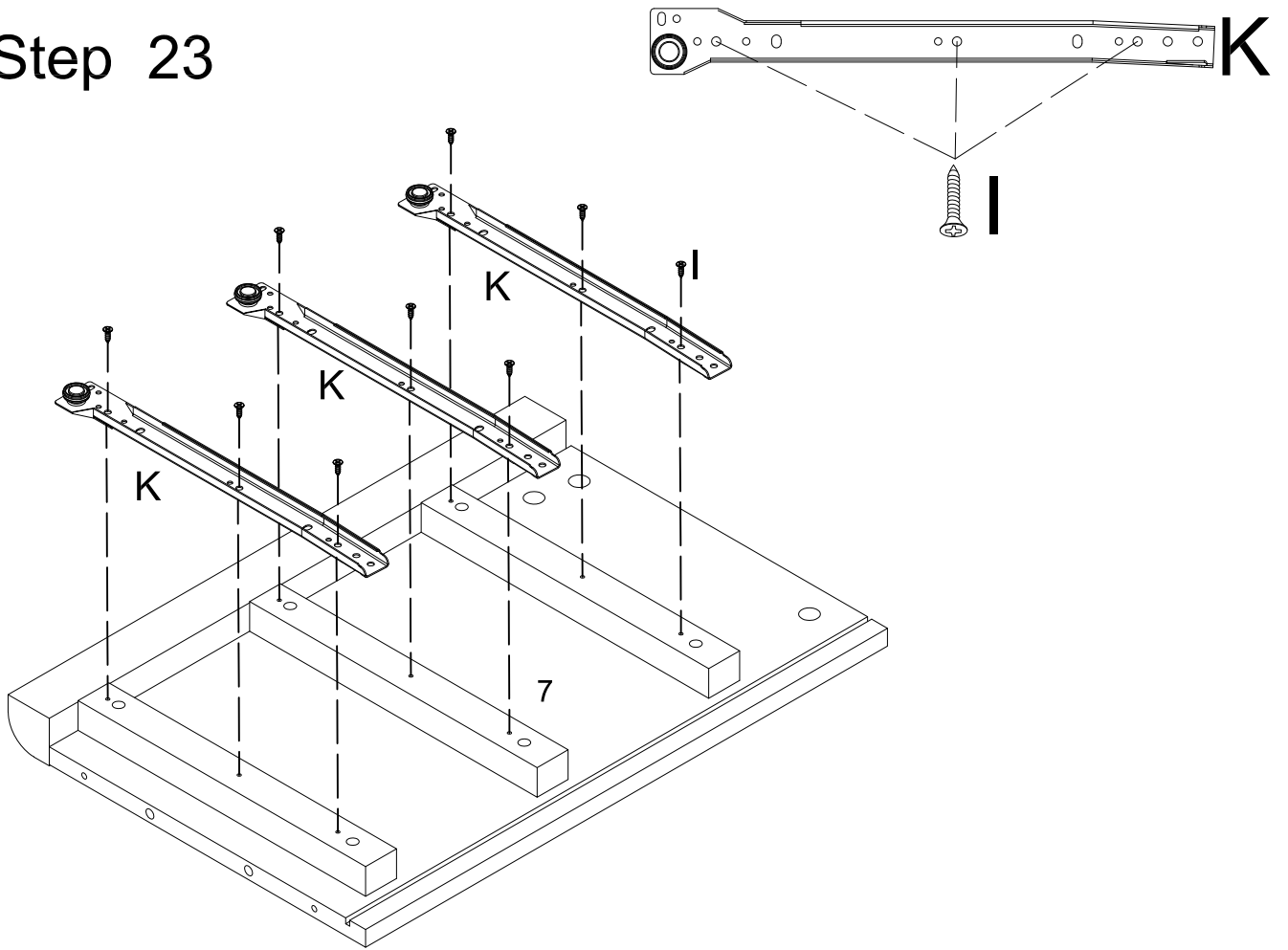
# Step 21



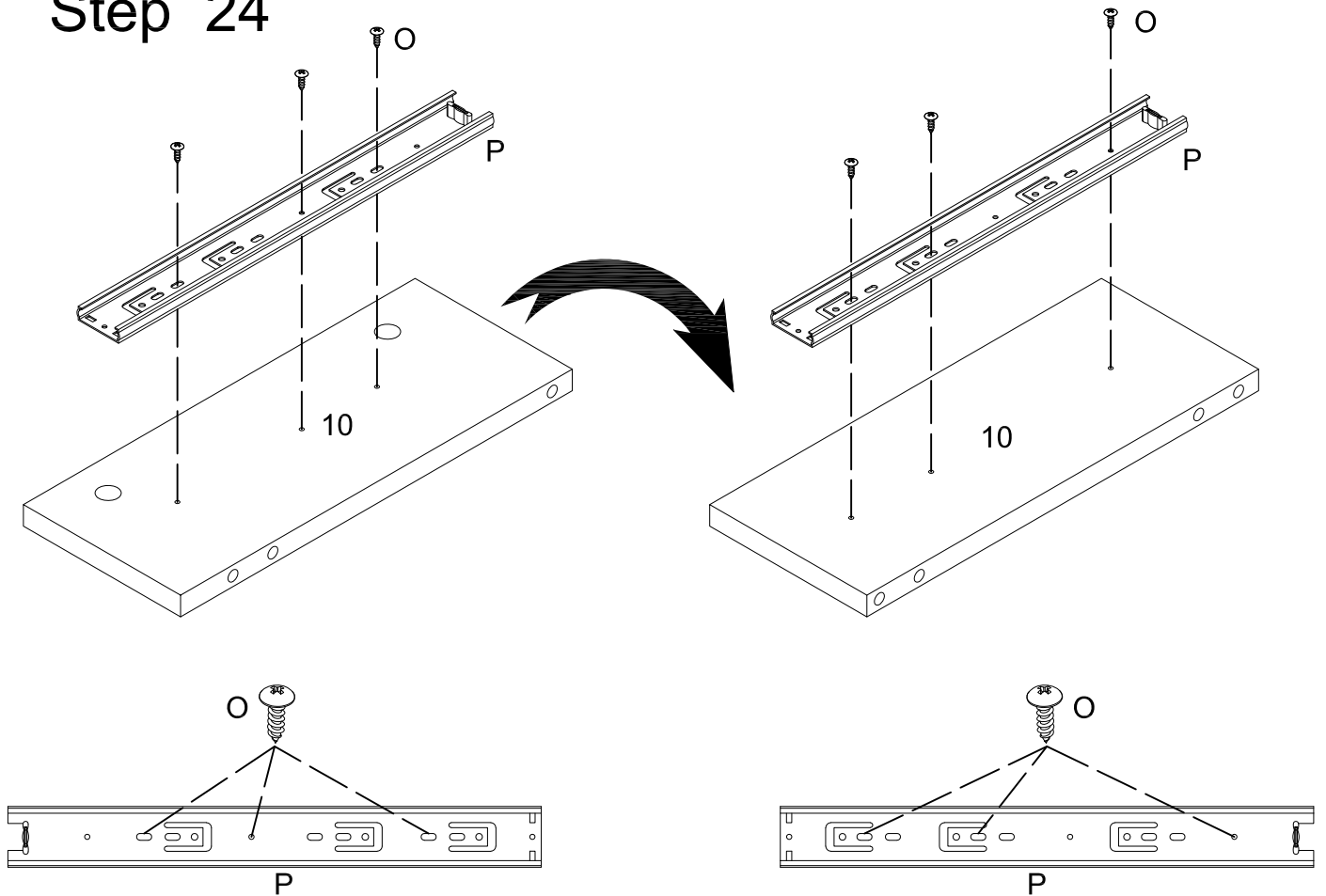
# Step 22



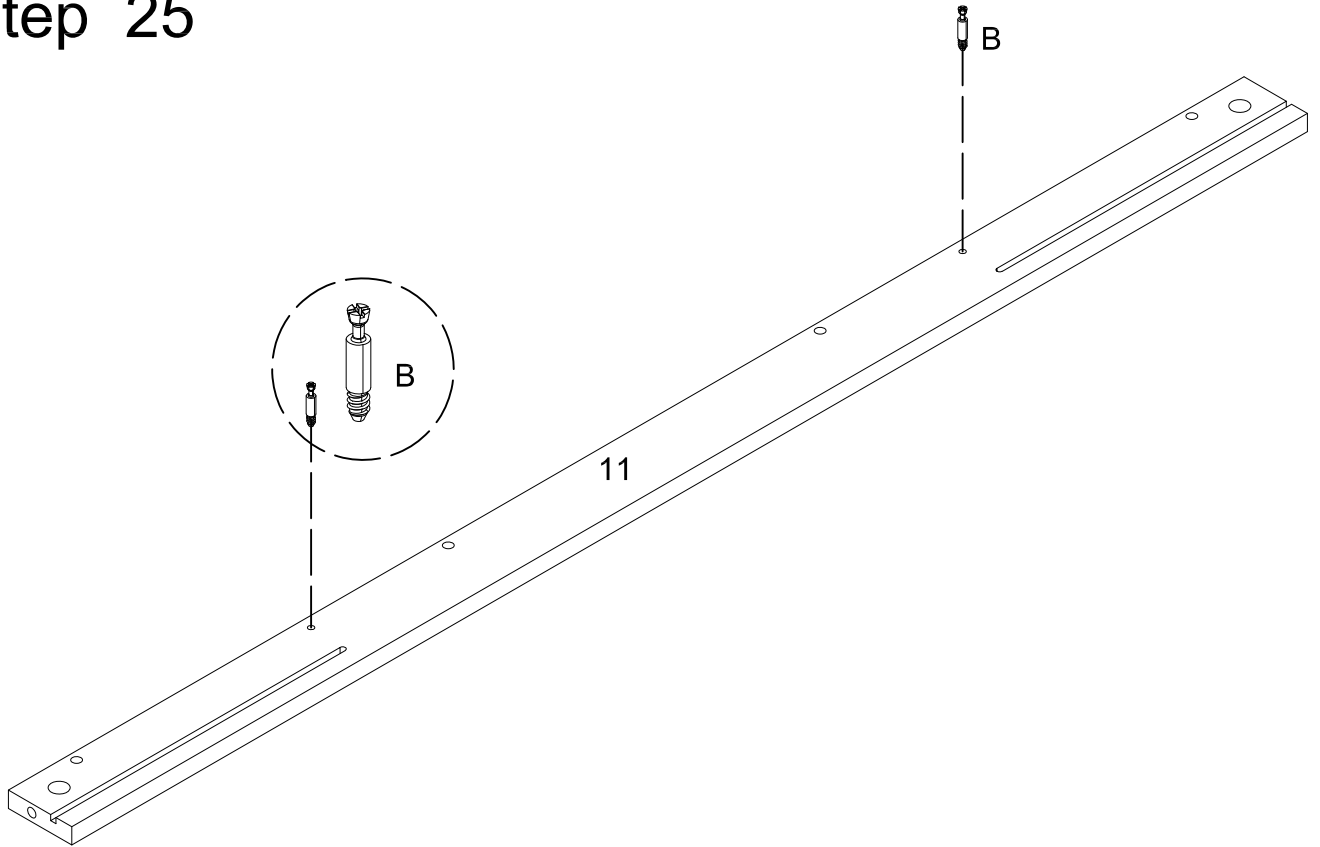
# Step 23



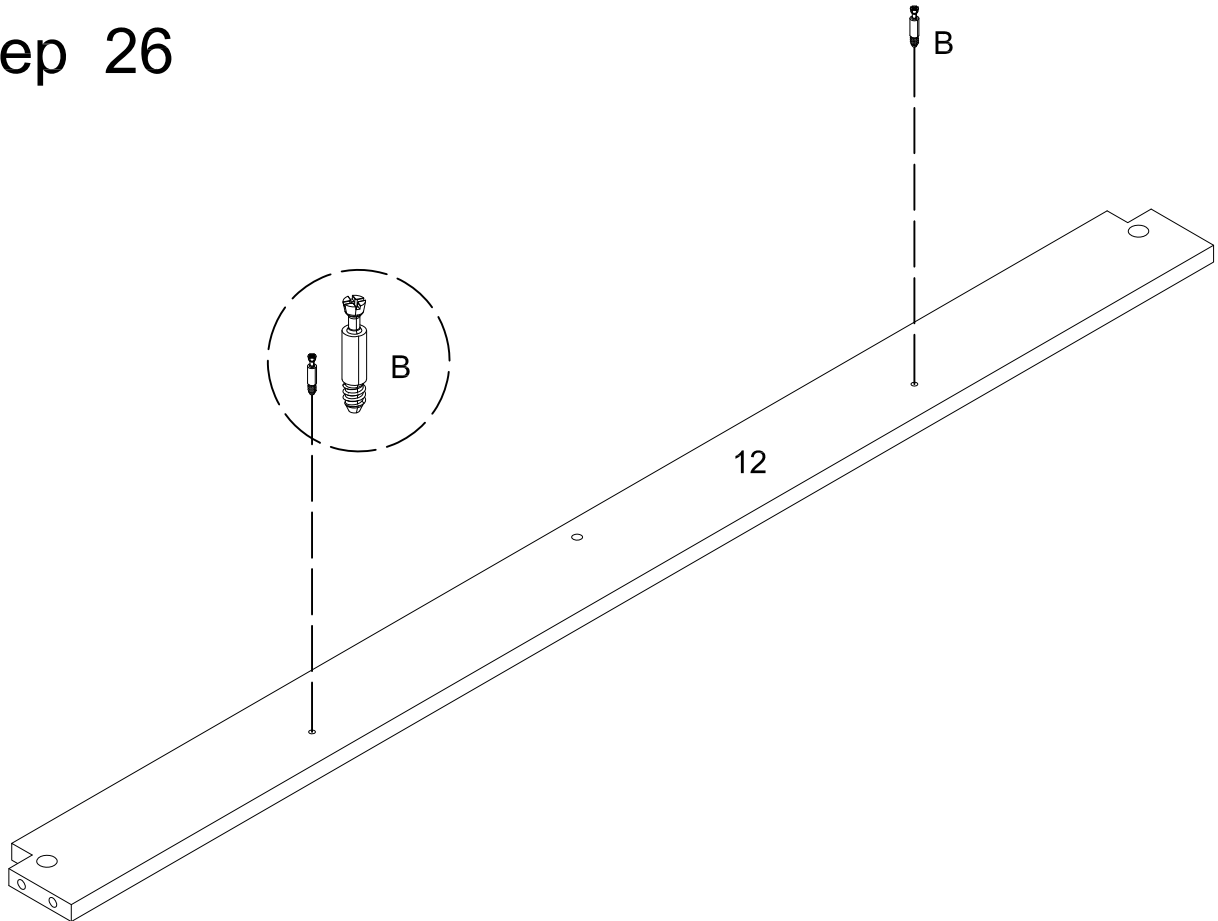
# Step 24



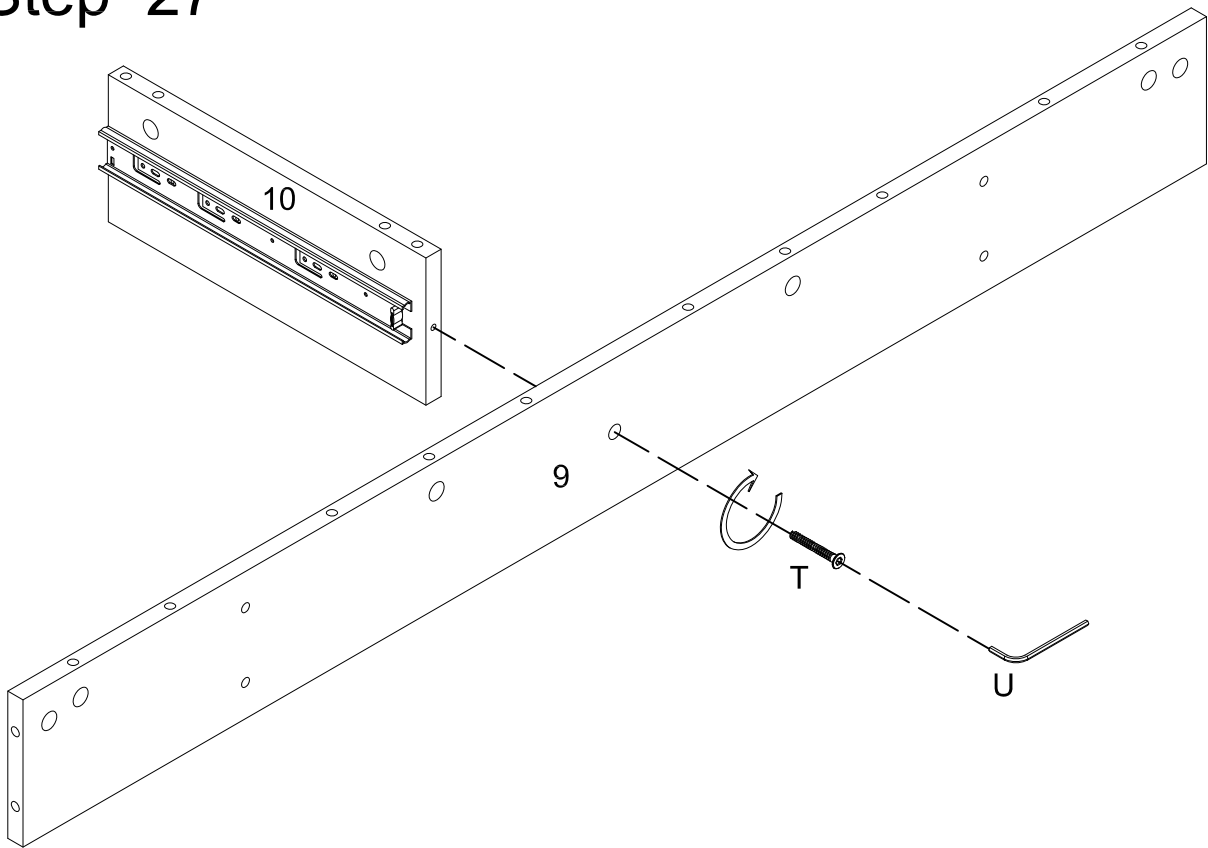
# Step 25



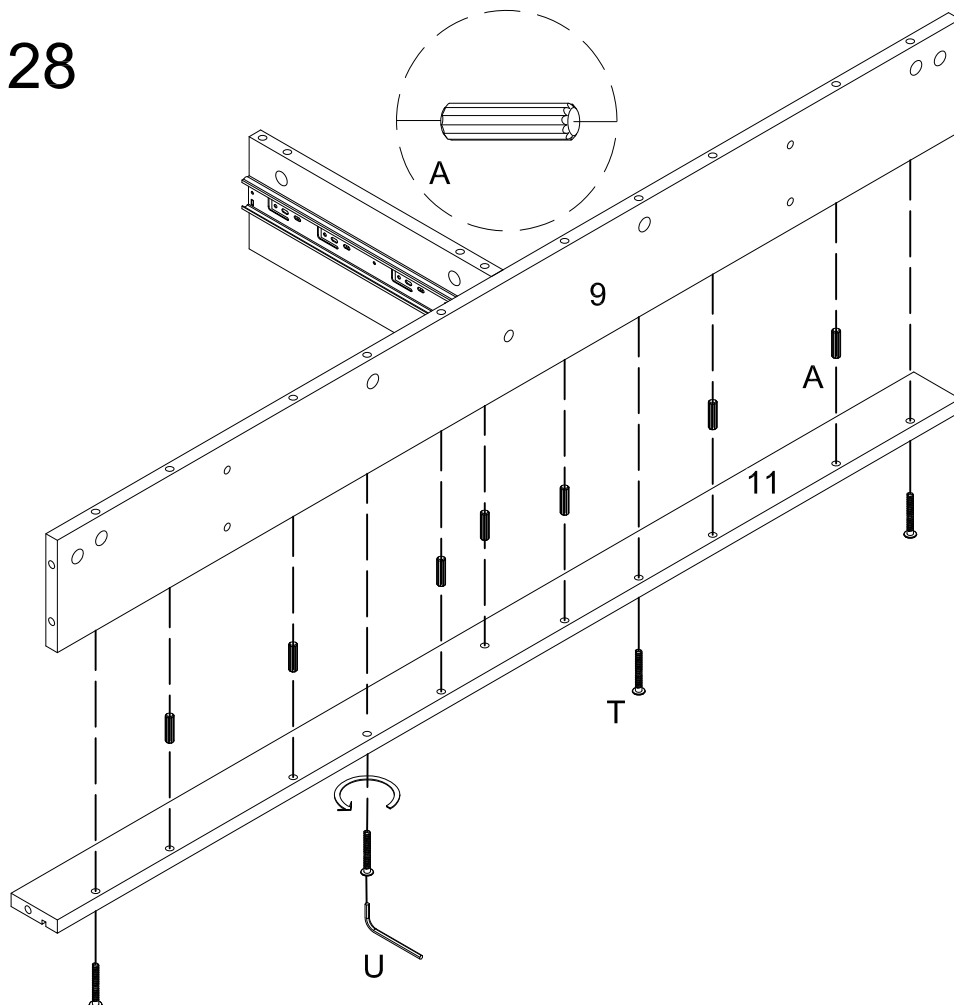
# Step 26



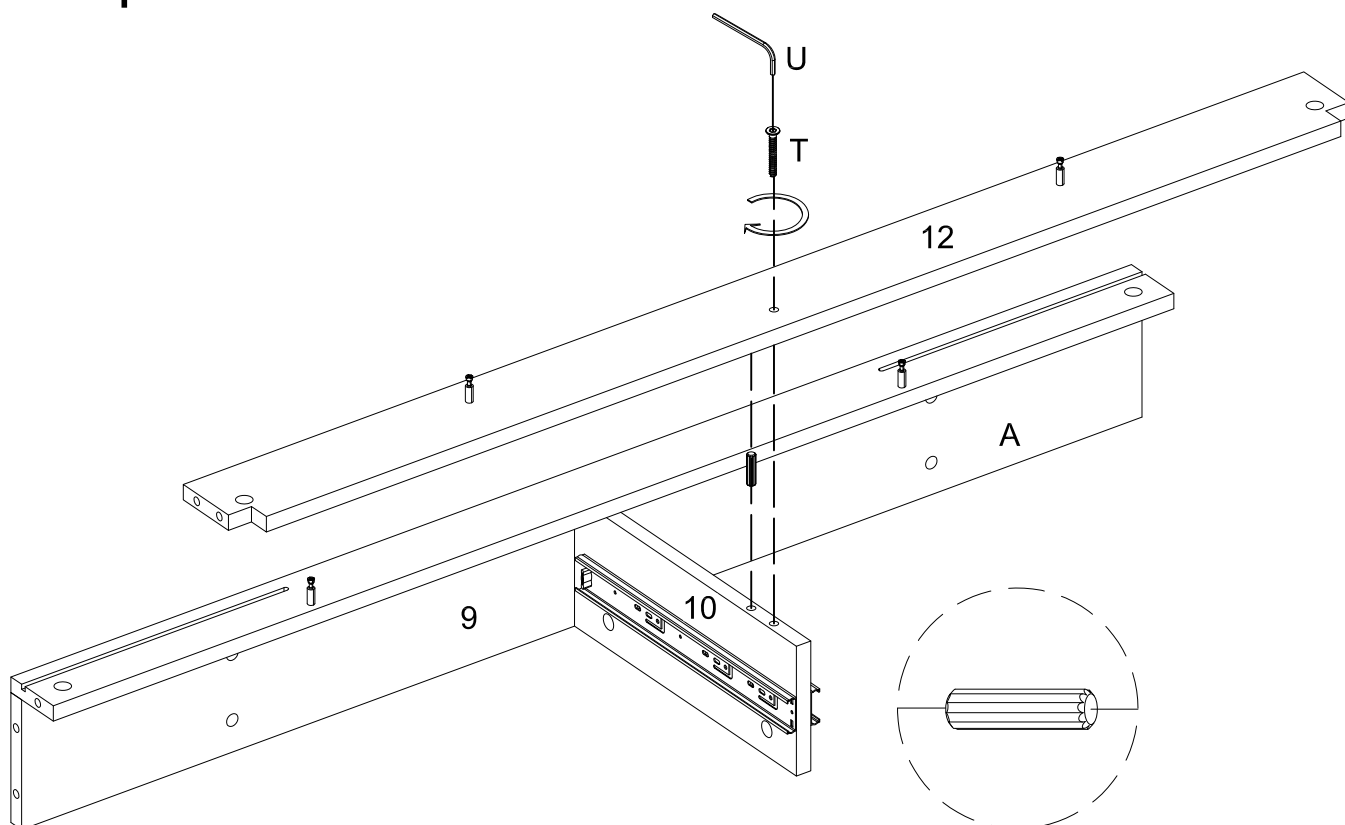
# Step 27



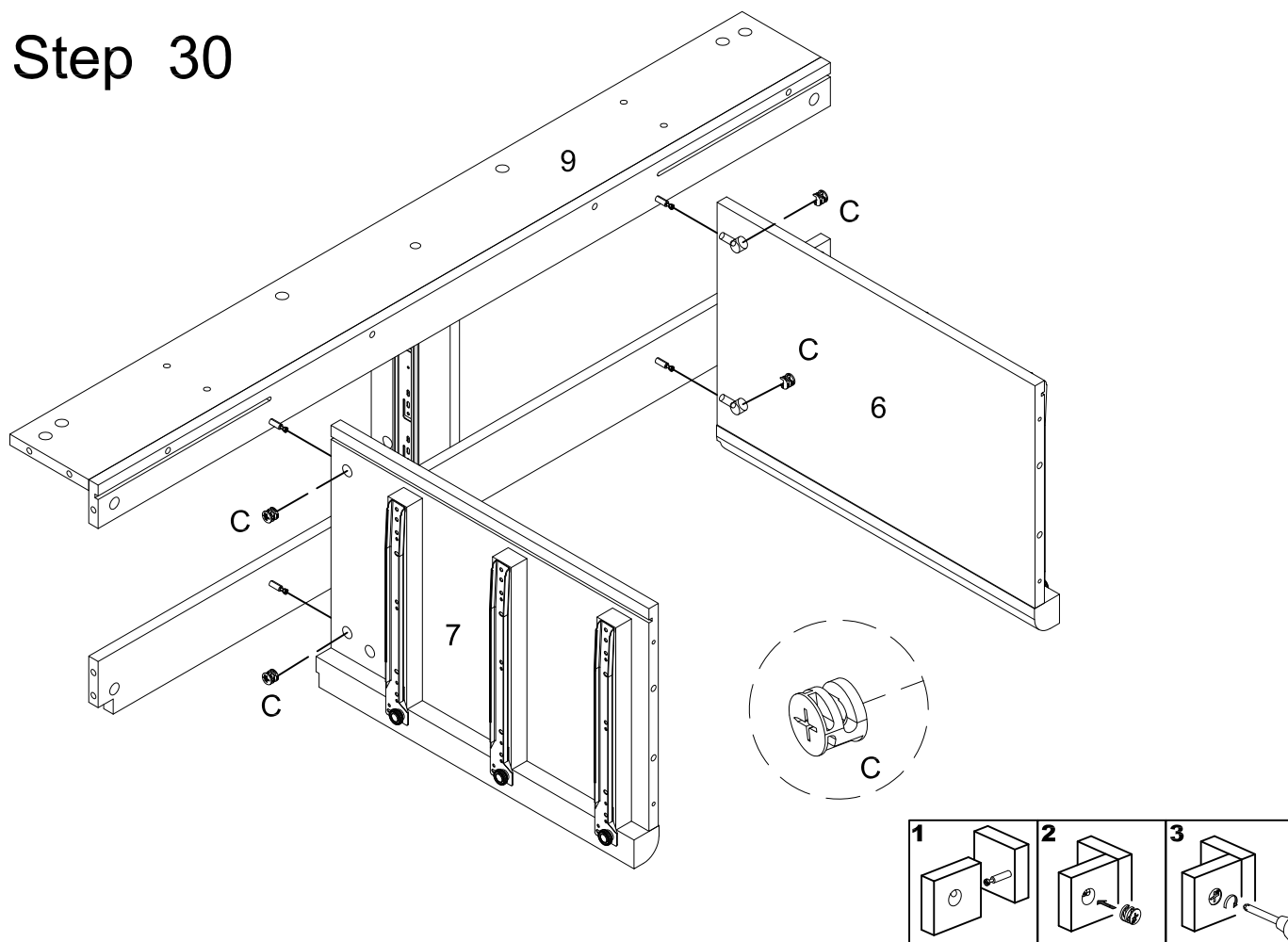
# Step 28



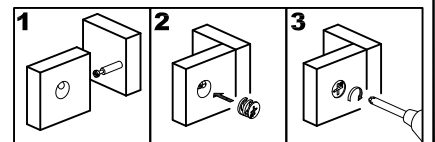
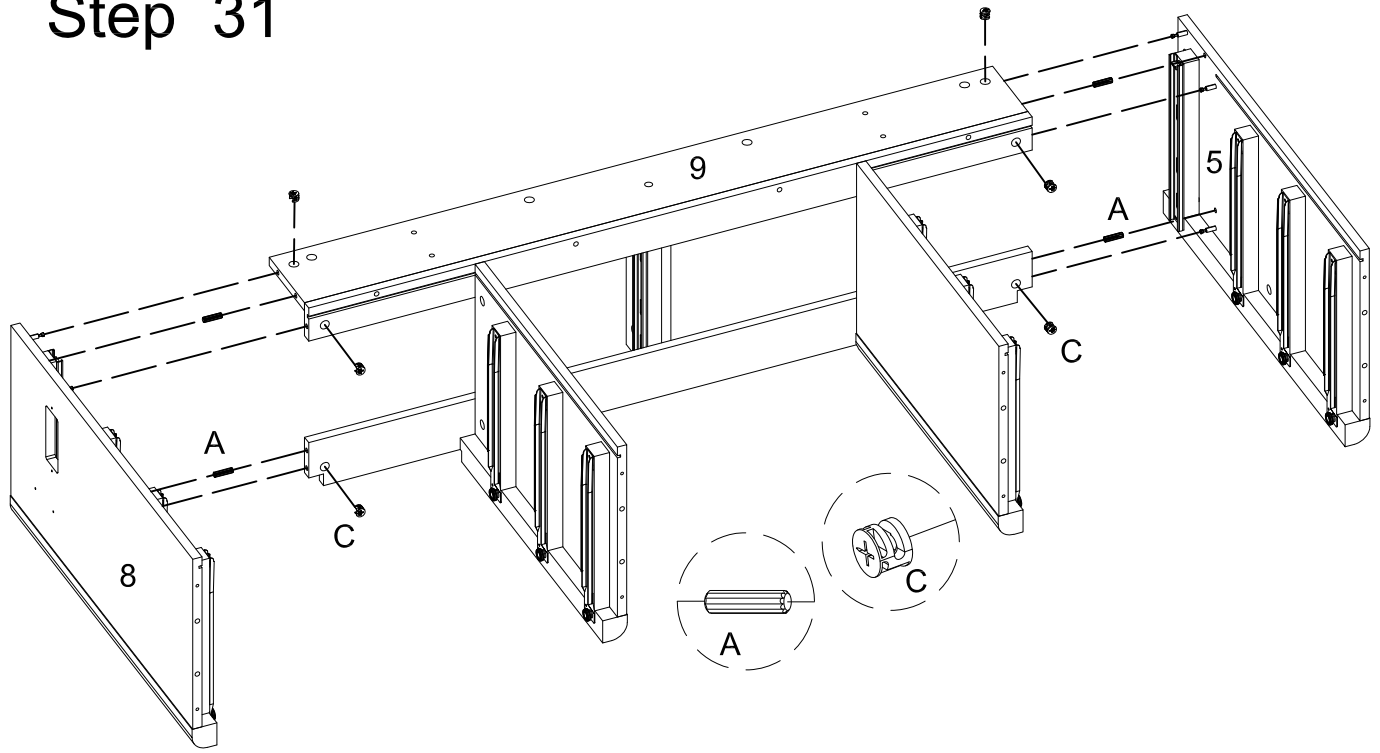
# Step 29



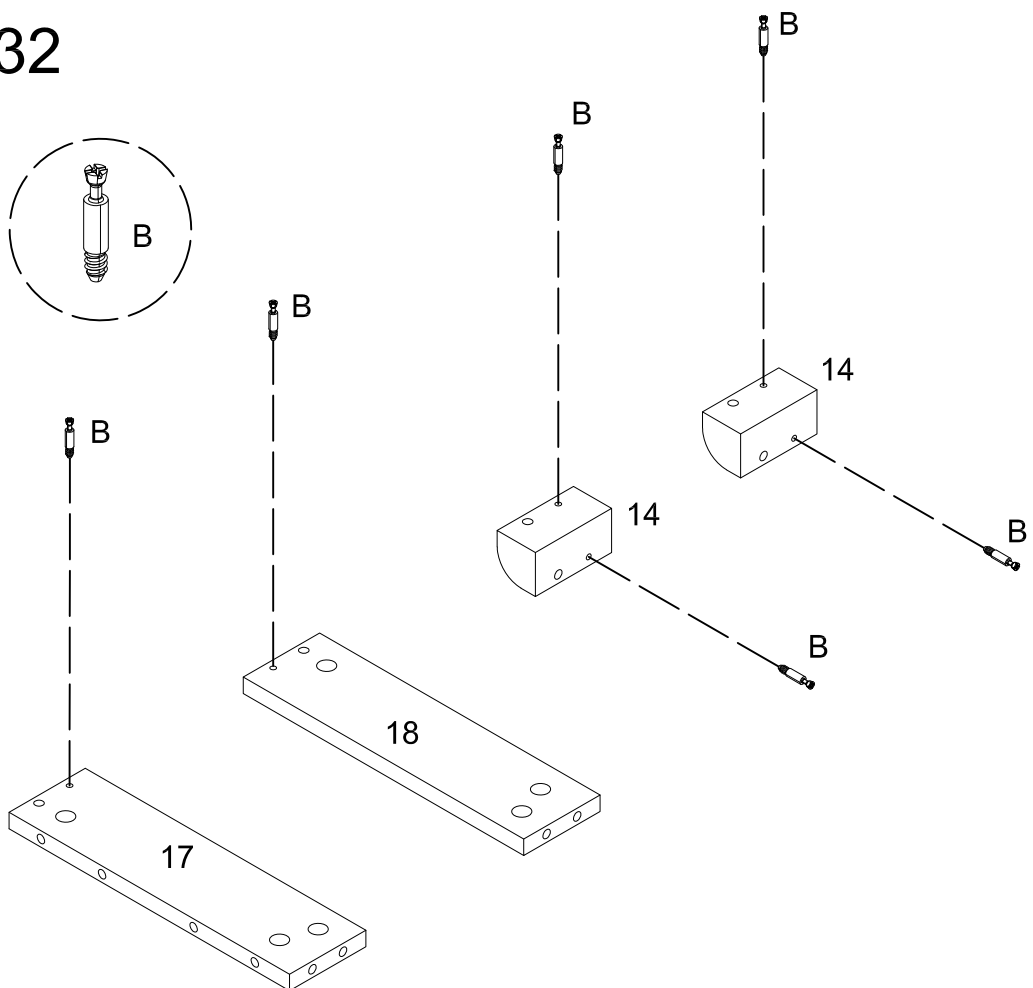
# Step 30



# Step 31

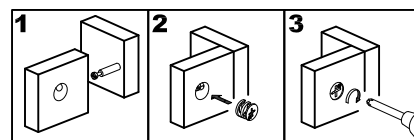
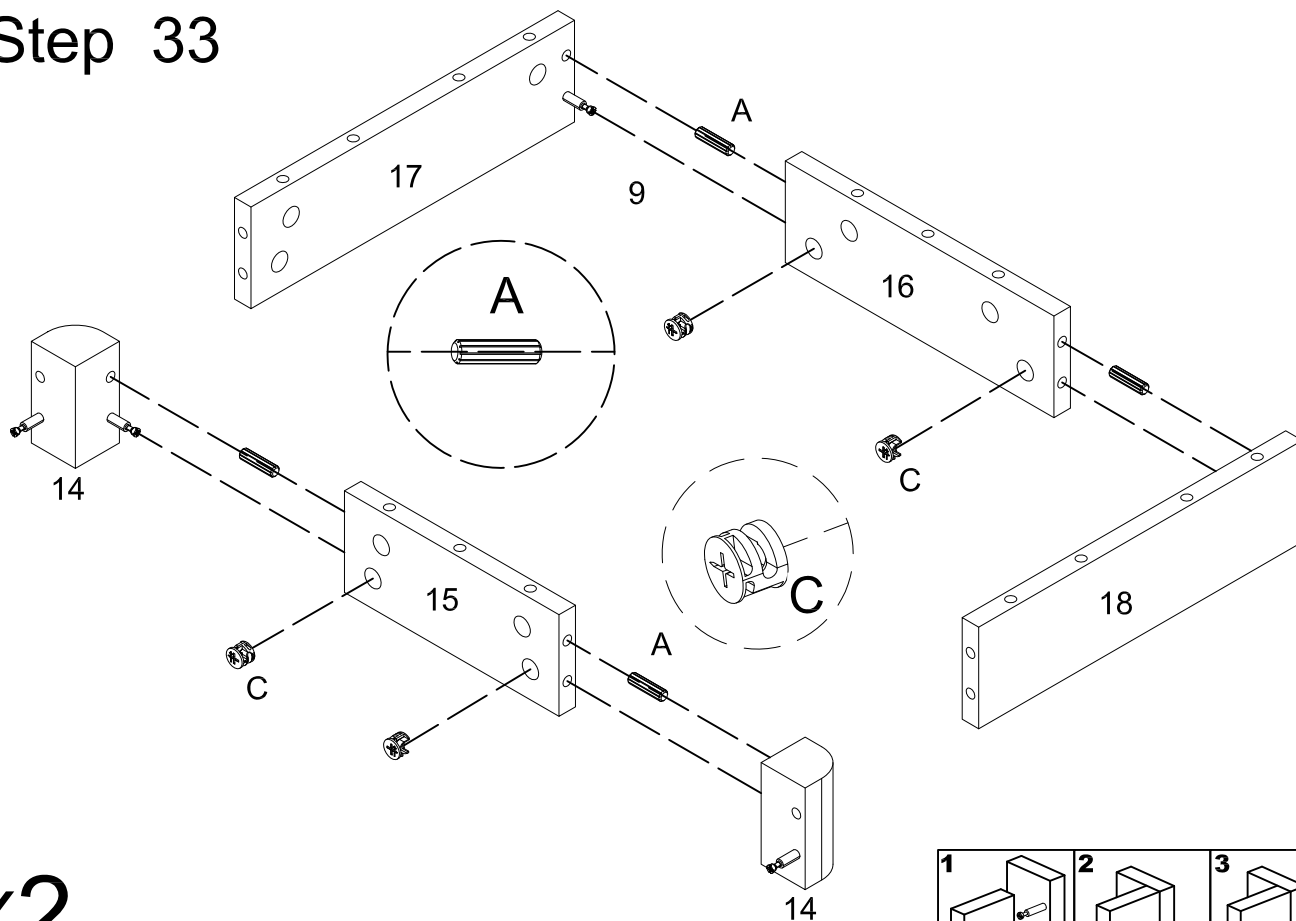


# Step 32

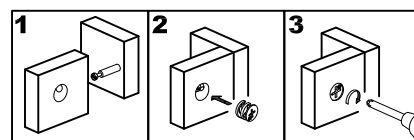
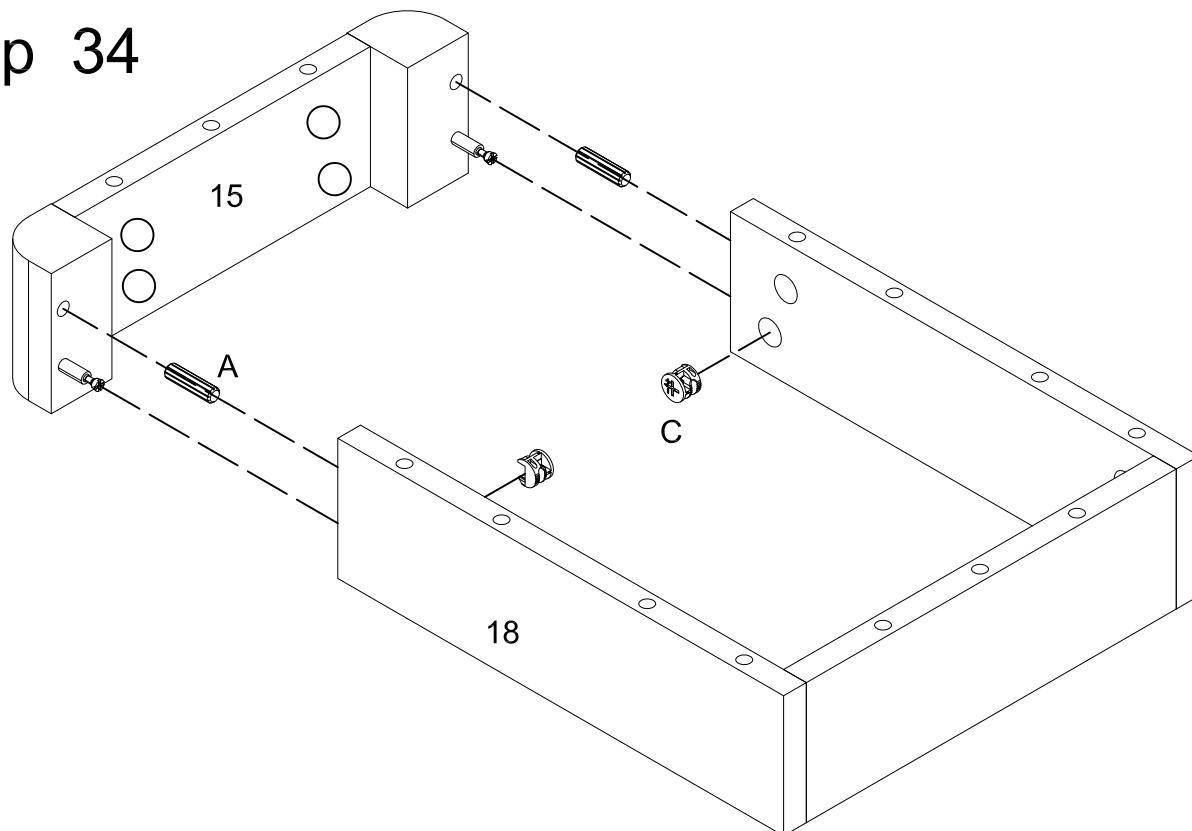


x2

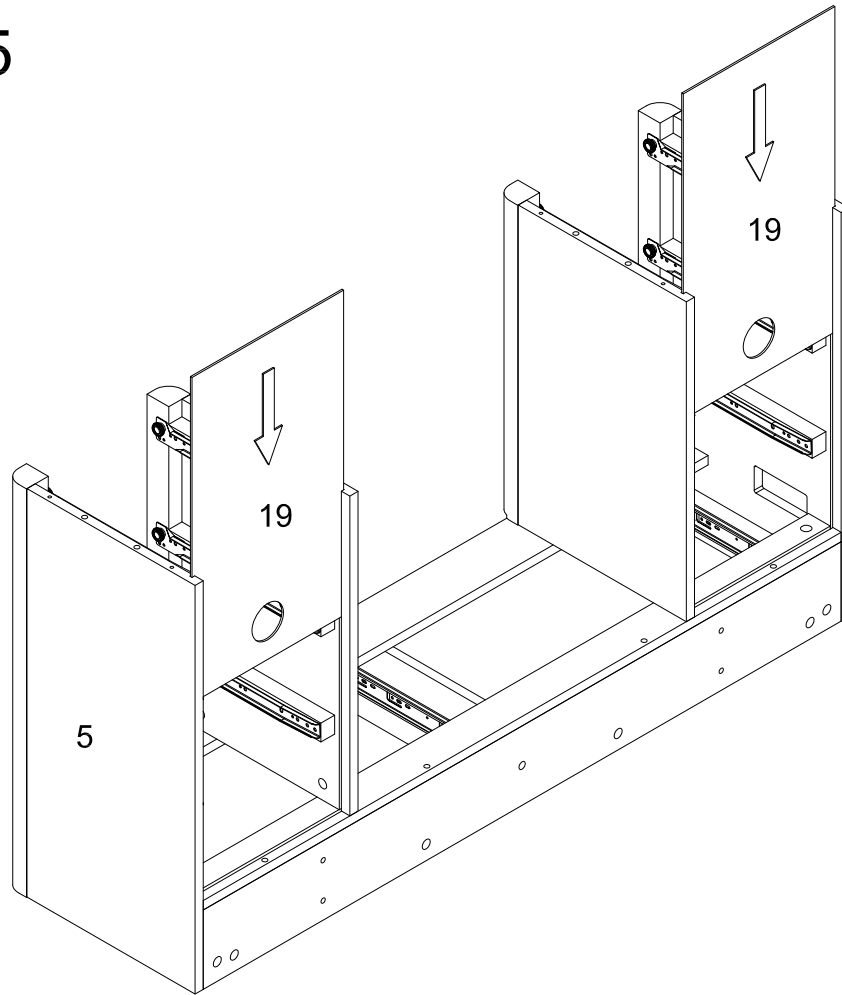
# Step 33



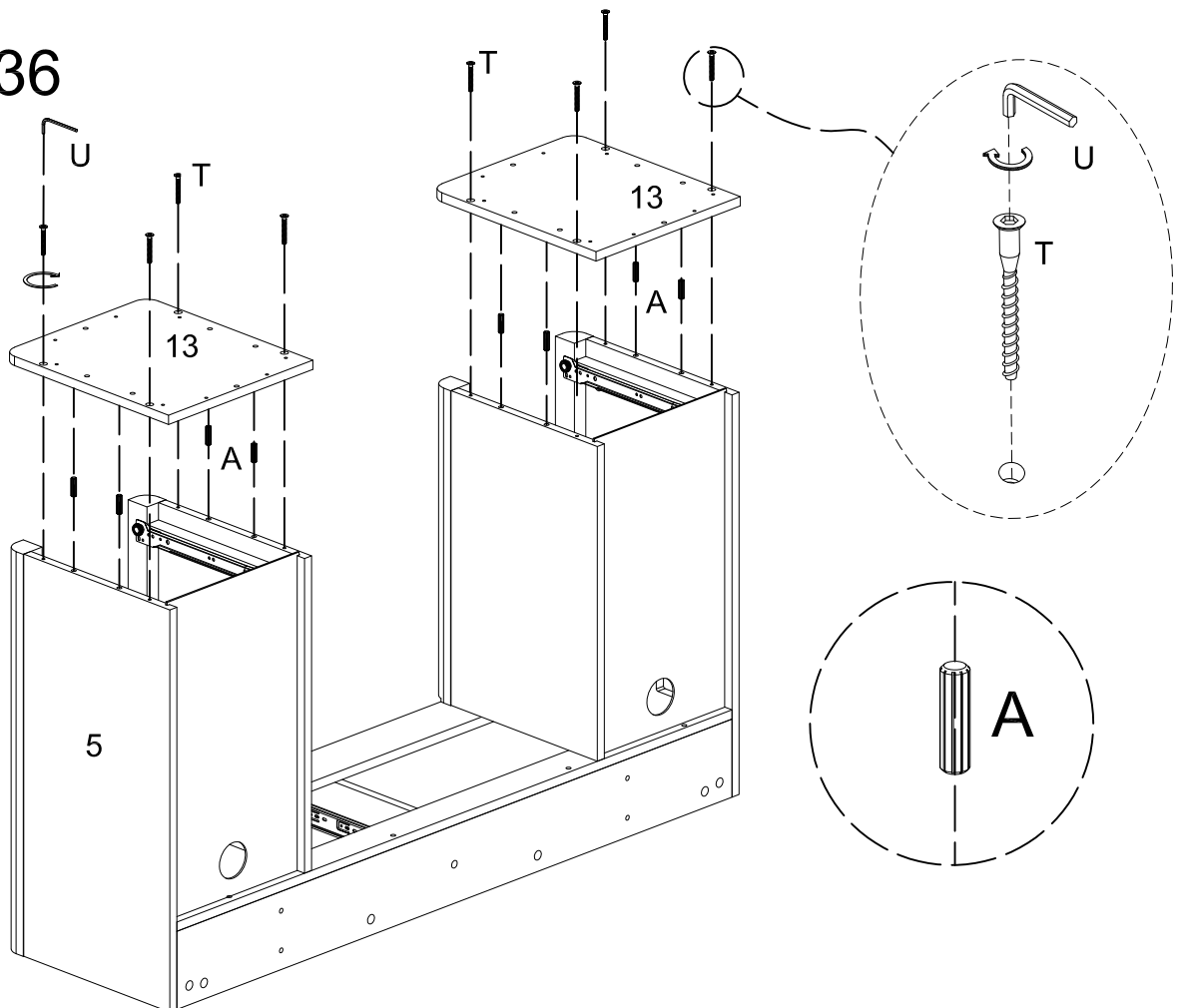
# Step 34



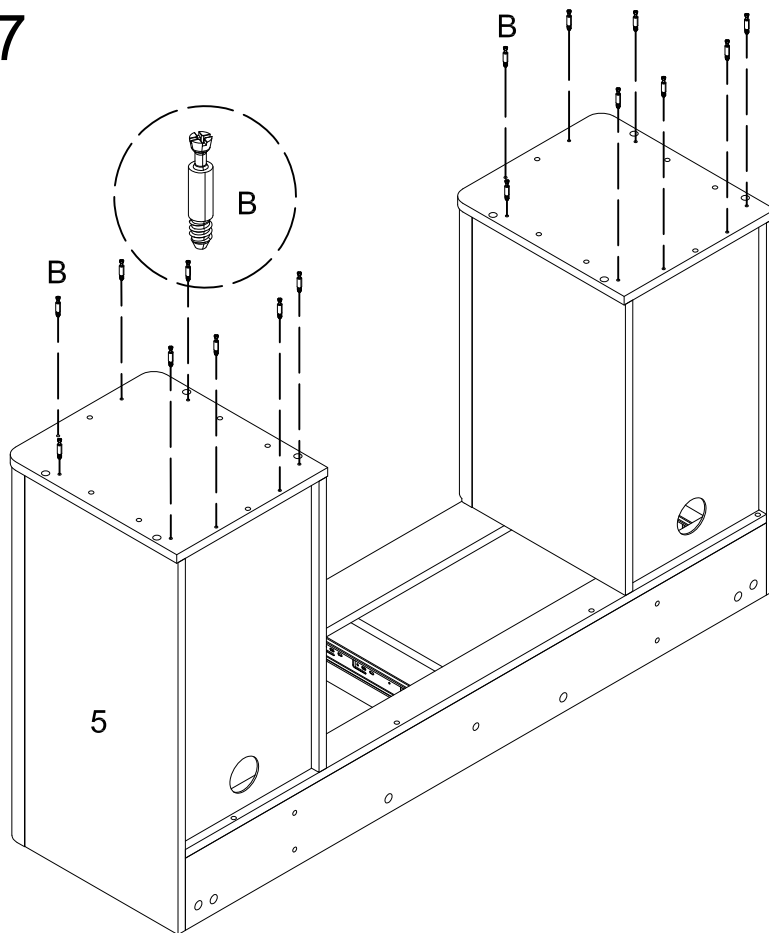
# Step 35



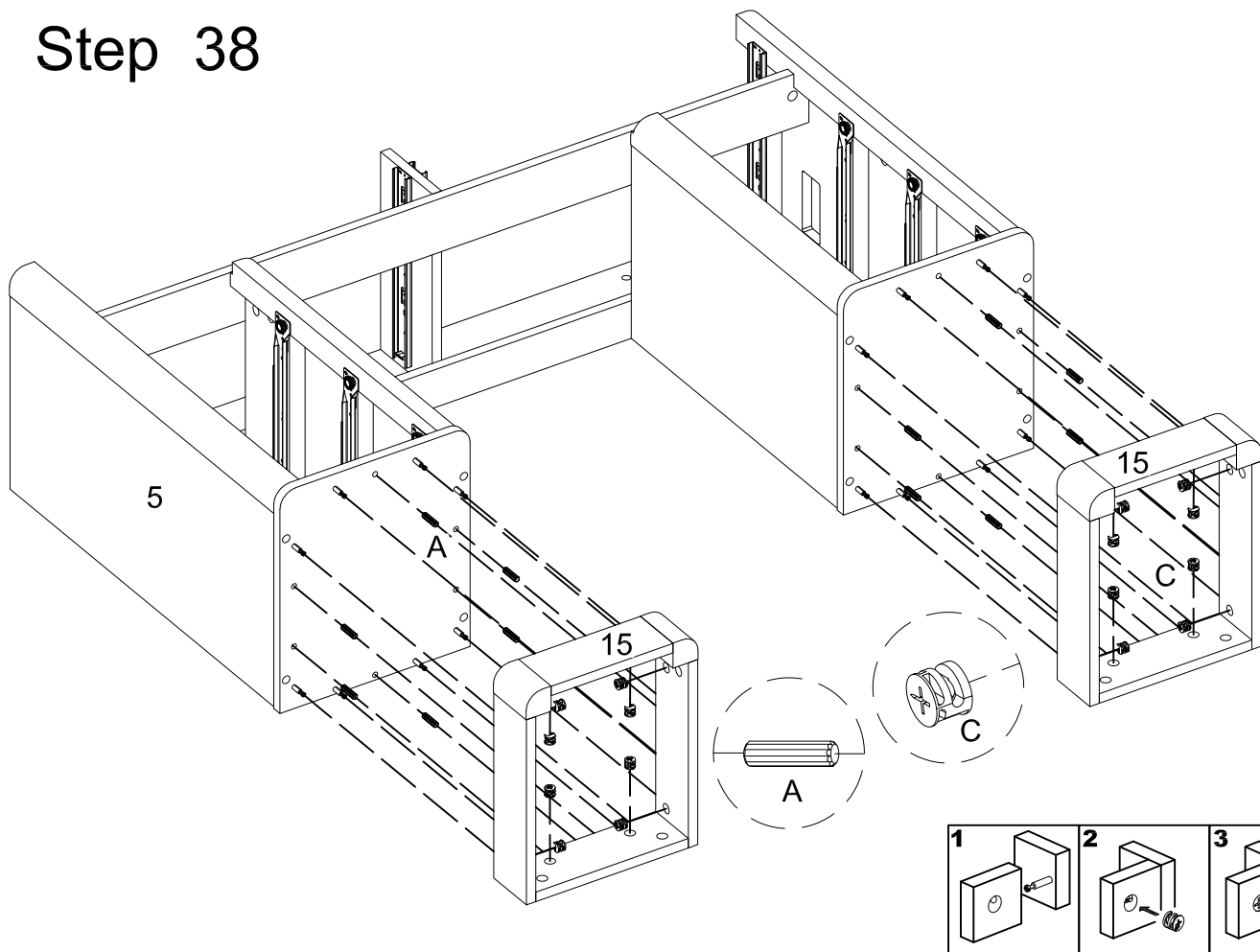
# Step 36



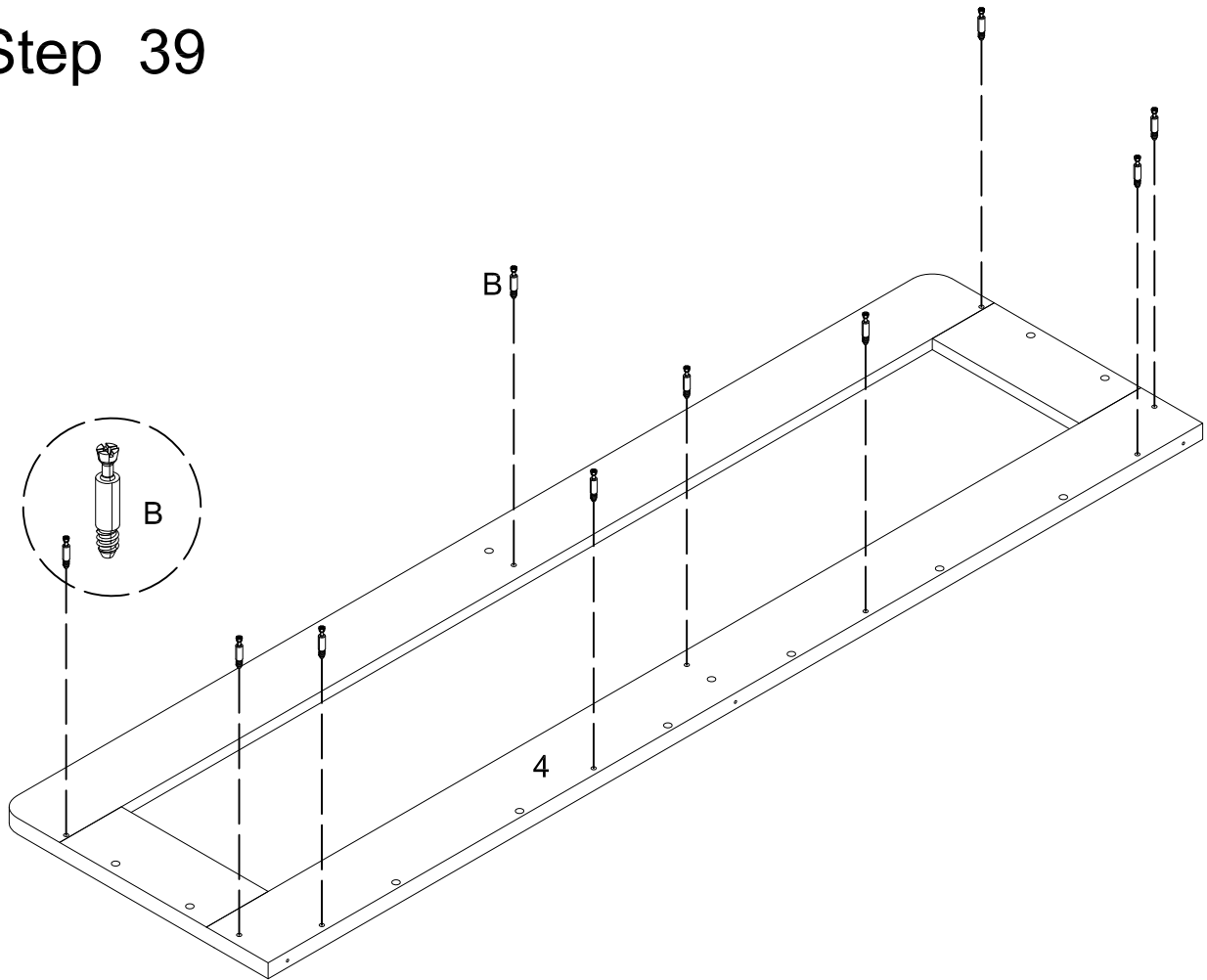
# Step 37



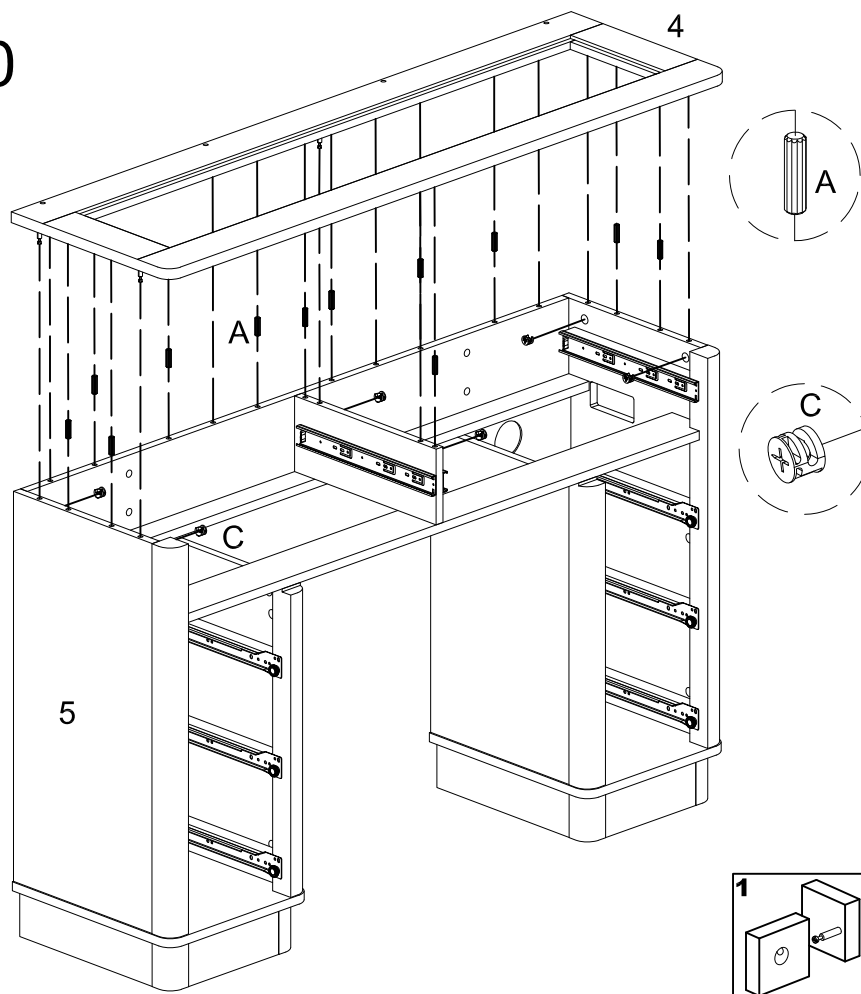
# Step 38



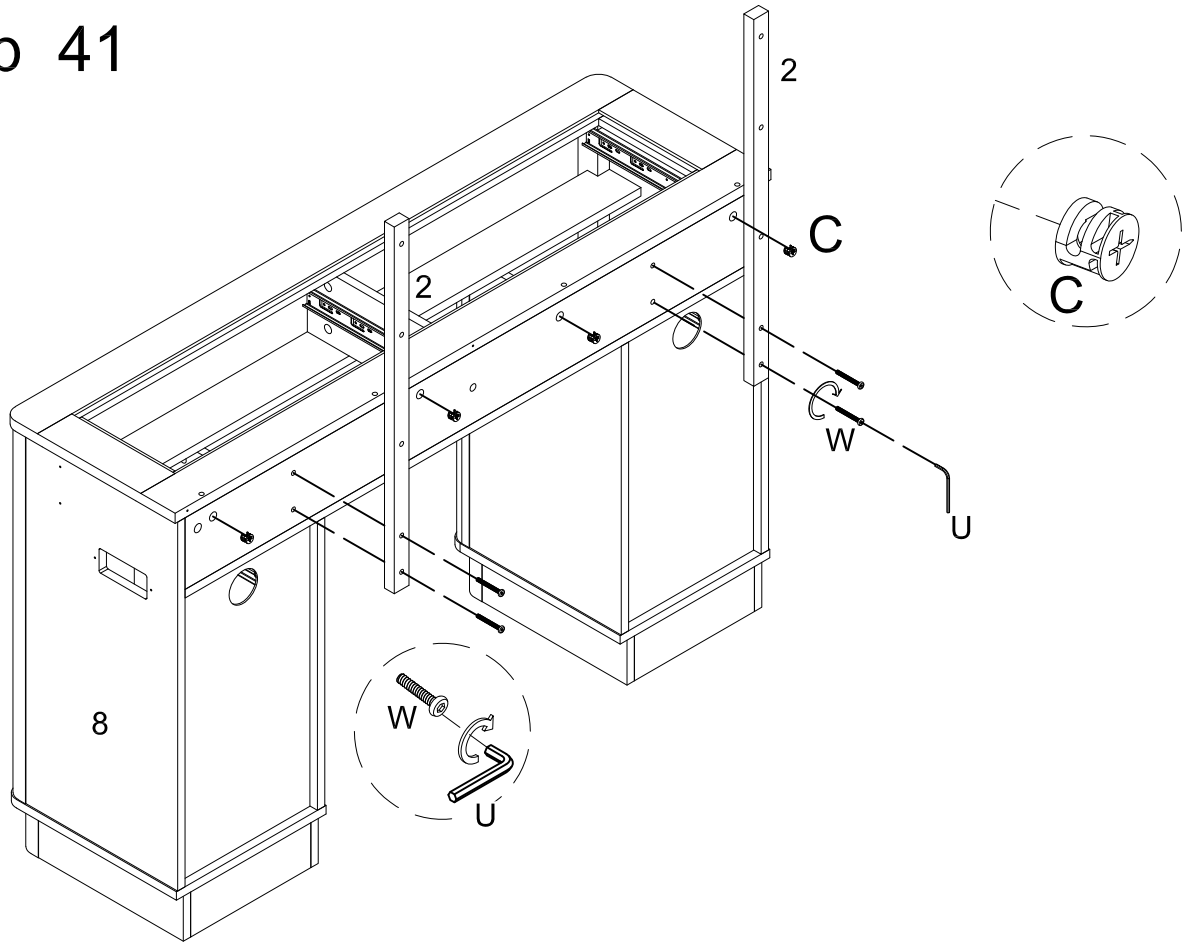
# Step 39



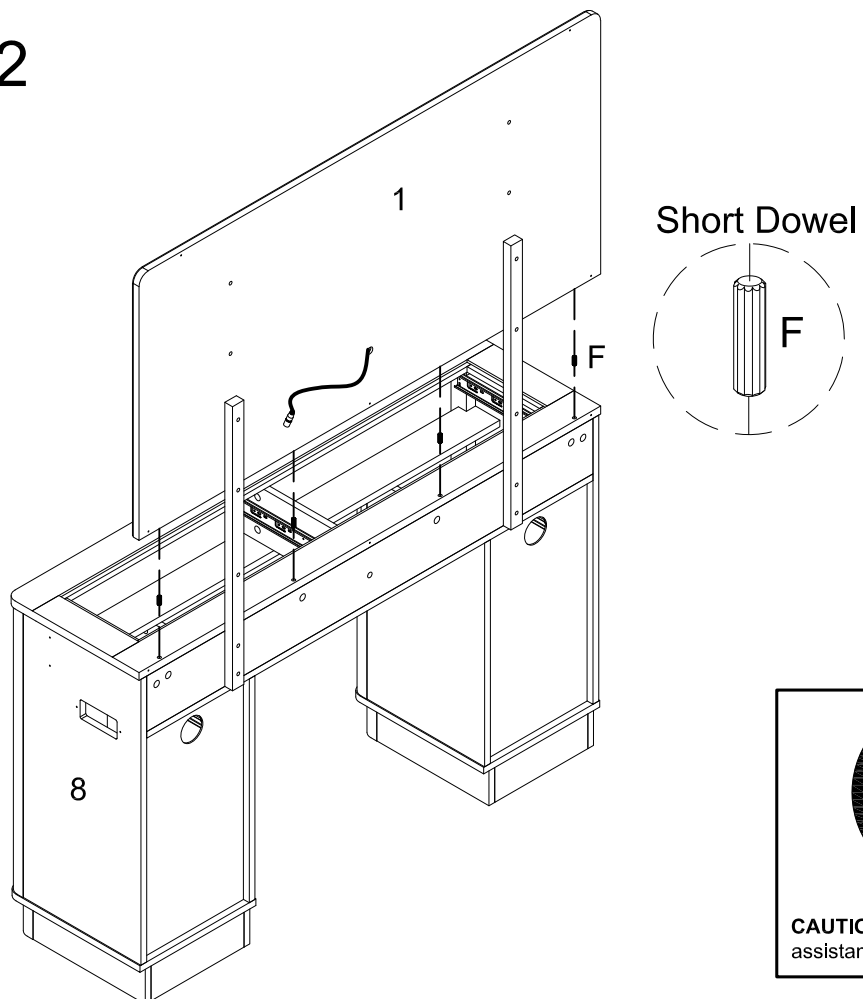
# Step 40



# Step 41

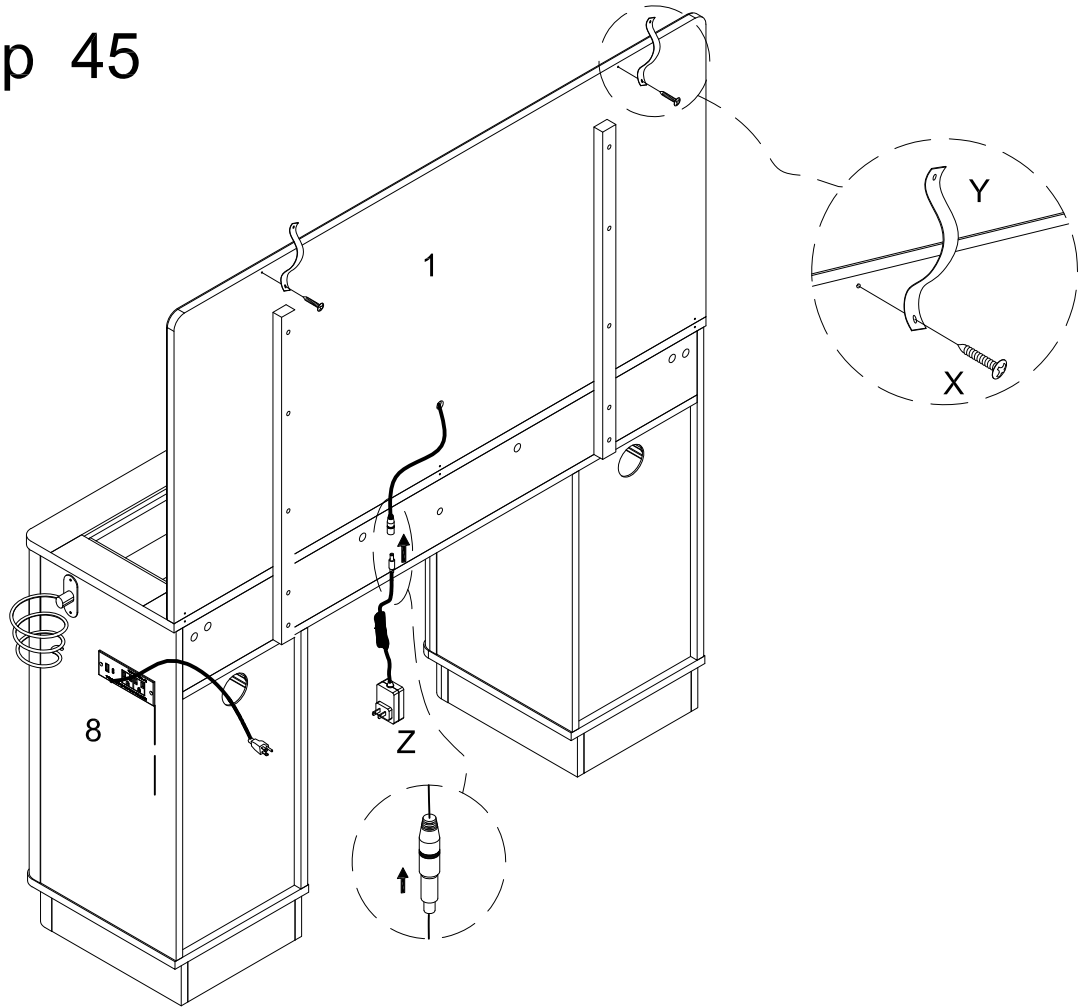


# Step 42

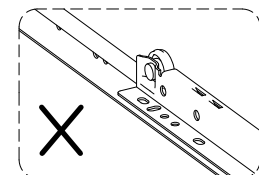
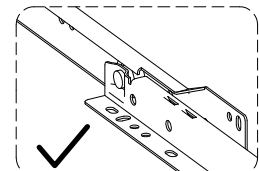
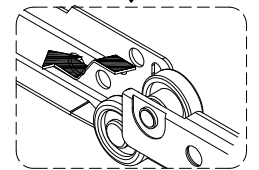
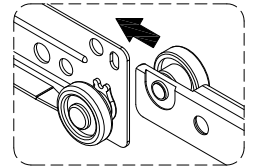
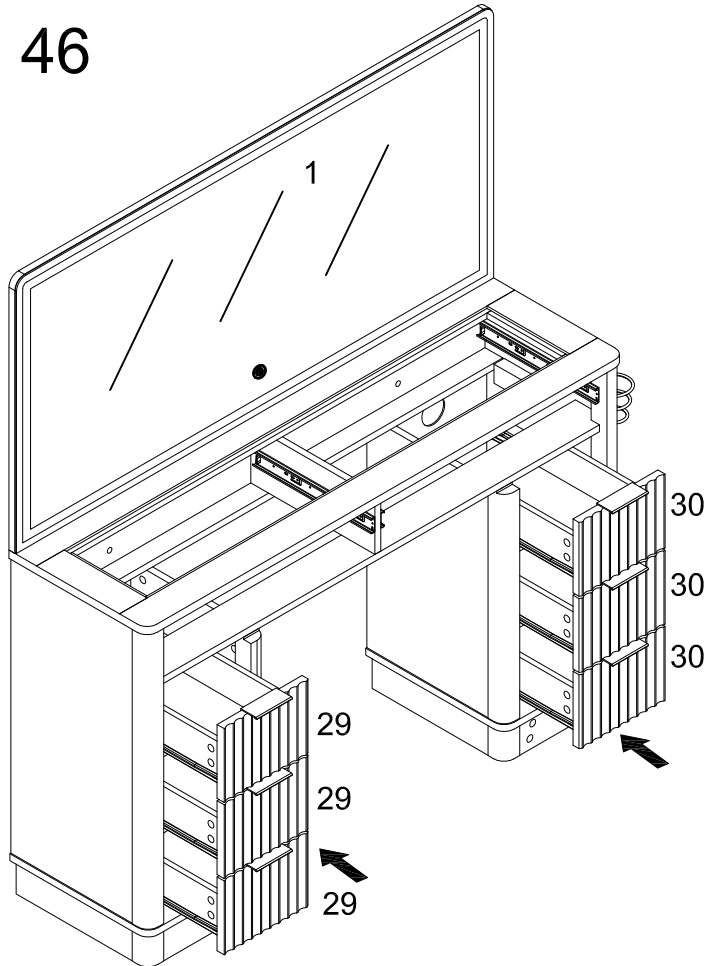




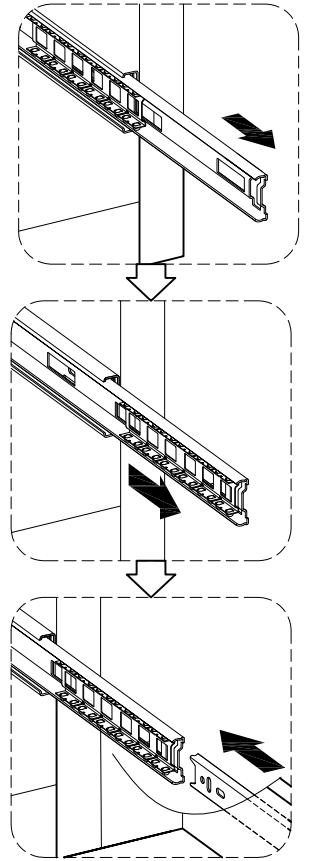
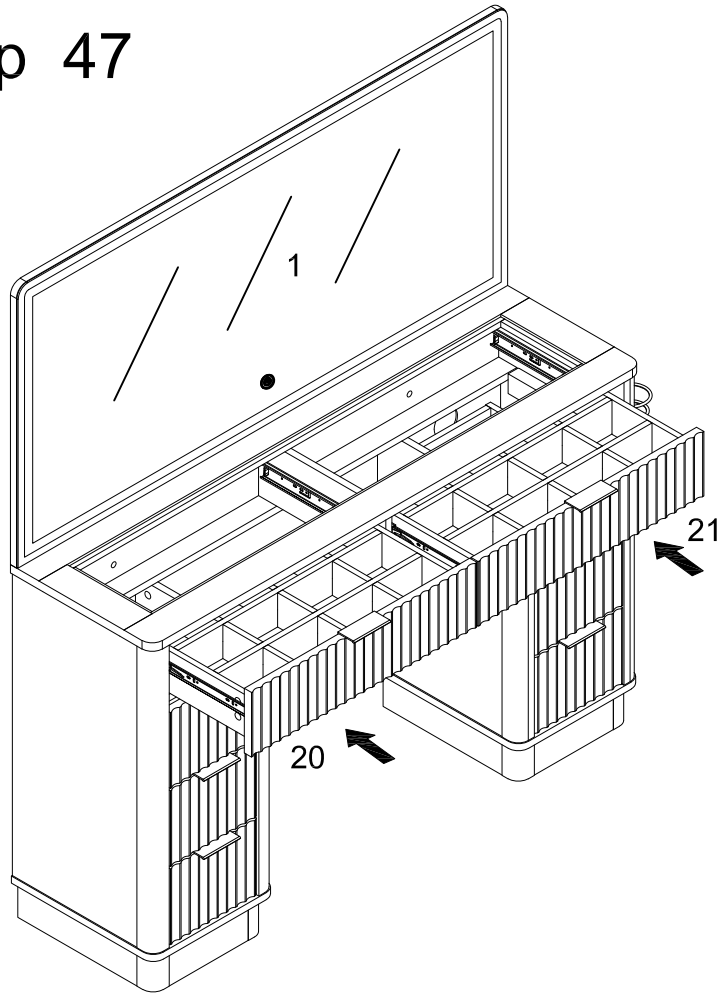
# Step 45



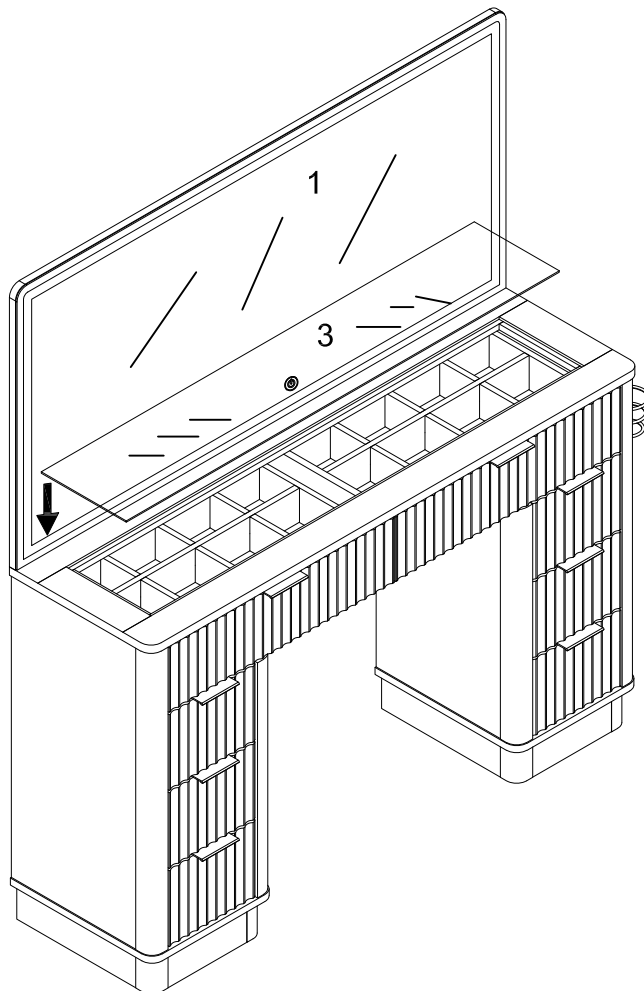
# Step 46



# Step 47

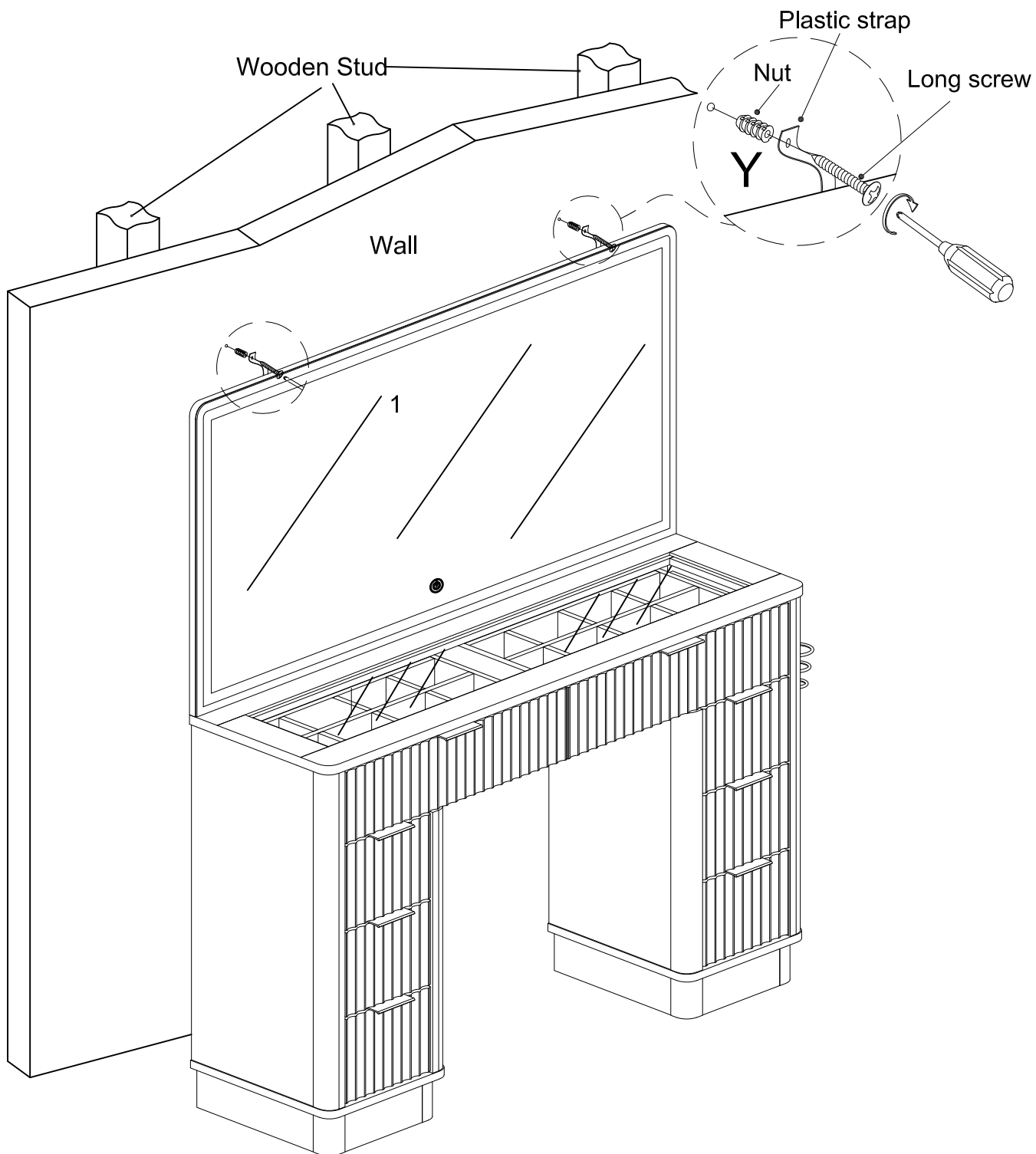
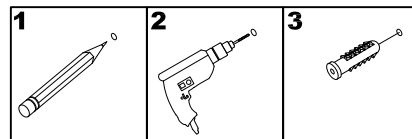


# Step 48

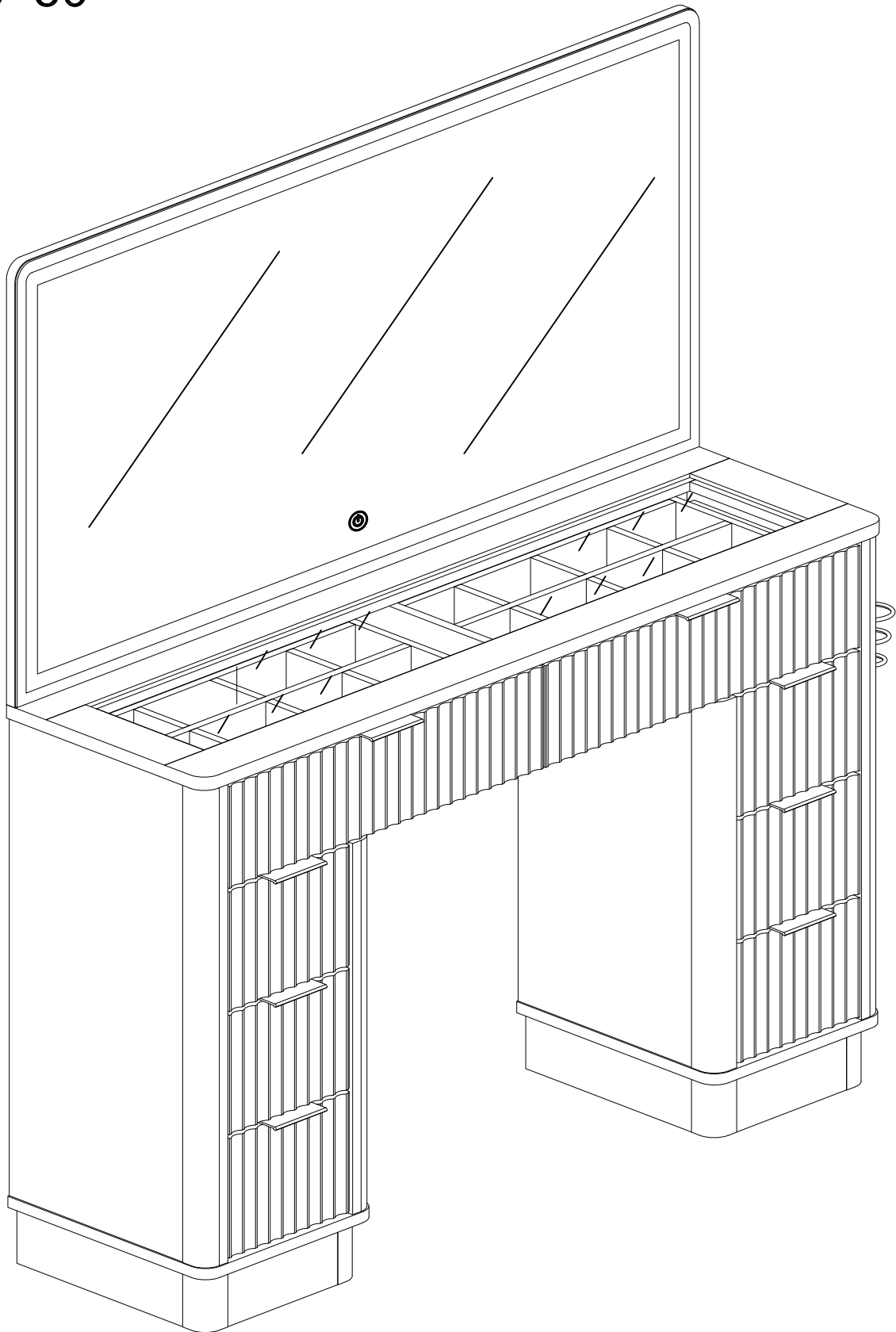


# Step 49

Serious or fatal injuries can occur from furniture tipping over. To prevent the furniture from tipping over we recommend that it is permanently fixed to the wall. Wall anchor and hardware are included with this product. Please make sure hardware is suitable for your walls before installing, as different wall materials may require different types of anchors.



# Step 50



Final Assembly