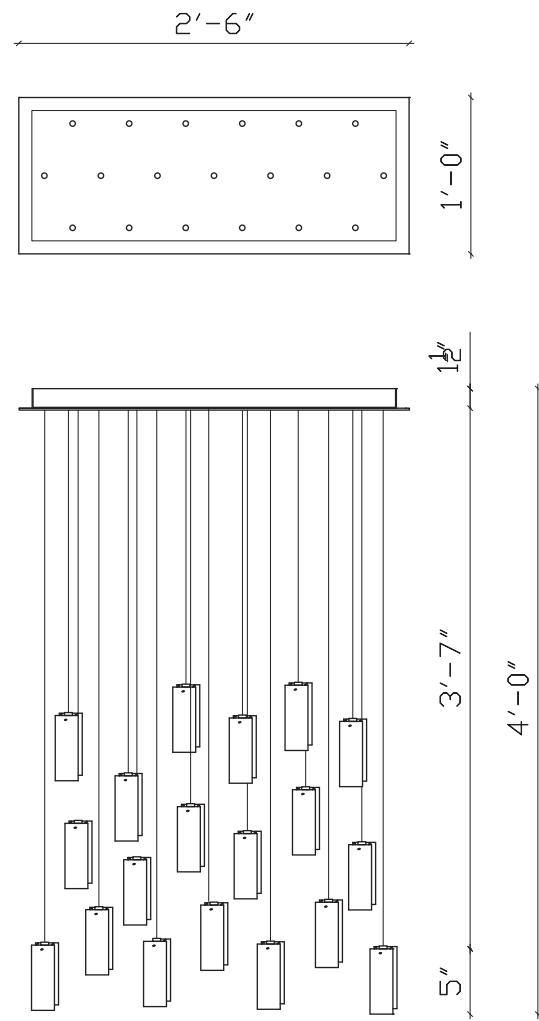
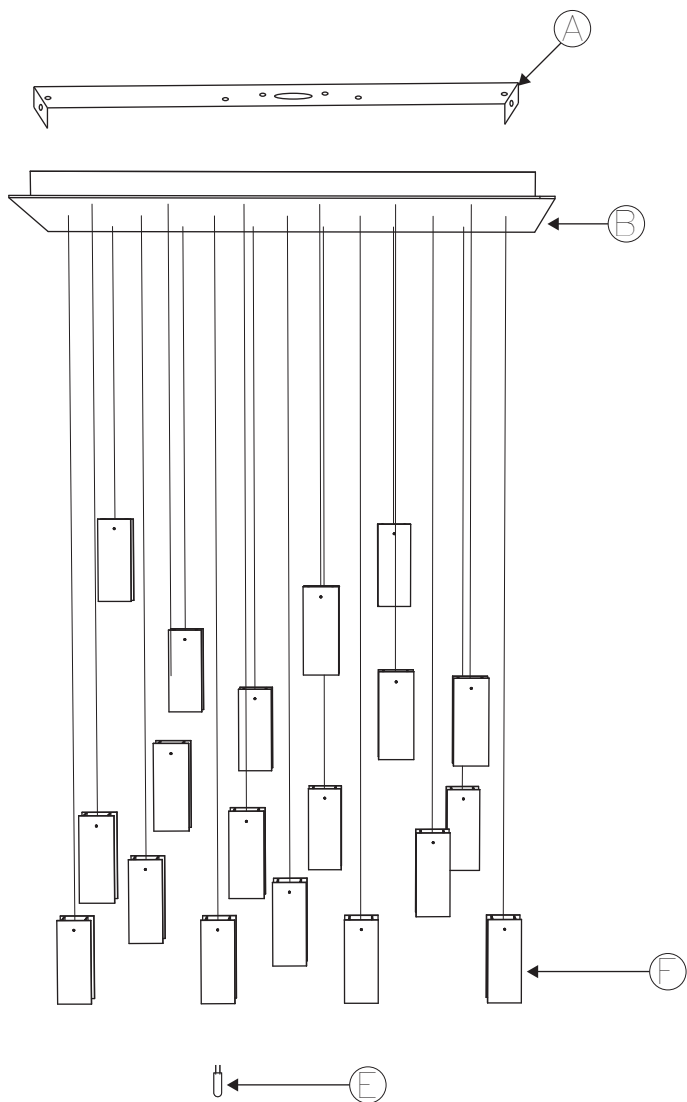
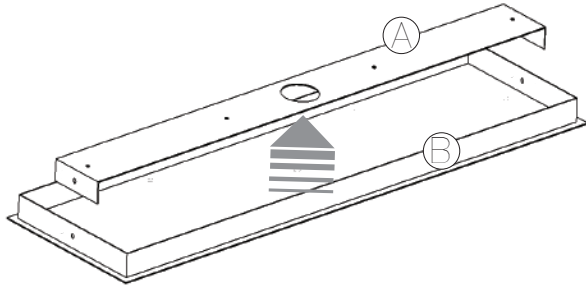


# 19 White, Amber & Clear Drops LED Rectangular Chandelier



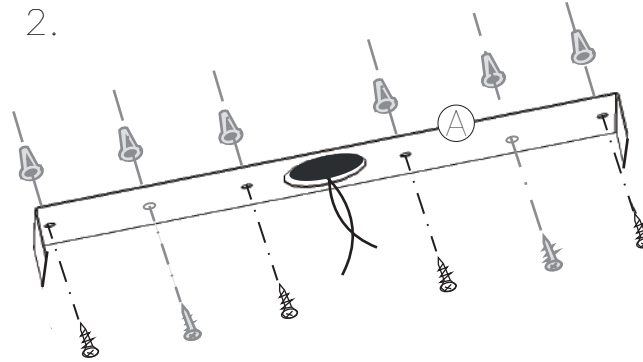
- Ⓐ x1 Bridge
- Ⓑ x1 Base
- Ⓒ x2 Support Chains
- Ⓓ x2 Button Head Screws
- Ⓔ x1 Wire Toggle/Gripper
- Ⓕ x19 Wrapped & Pre-Assembled White, Clear & Amber Drops (Glass)
- Ⓖ x19 LED Bulbs

1.



Separate **A** from **B**

2.



Mount **A** to the ceiling.

*Note: When mounting be sure to locate and mount **A** to a joist/ceiling beam*

If you cannot do so, be sure to use drywall screws and anchors, drill additional holes for mounting for better support

5.

**Never touch the light bulb with your bare hands. Always use the provided gloves to touch or change bulbs.**

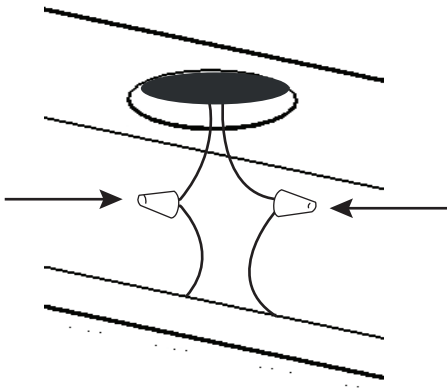
Unwrap all glass and install all the light bulbs.  
Test lights by turning on power.



*Make sure light bulbs are not touching any bubble wrap or cardboard!*

Turn off power after testing, and remove bulbs.

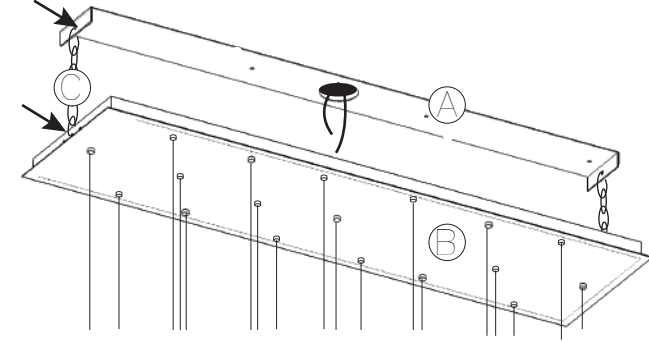
4.



Connect electrical wire to the power

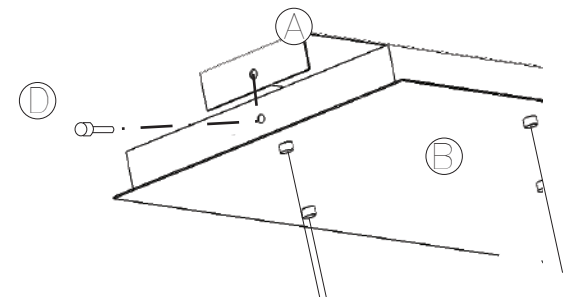
## DROPS ON 19 Assembly Guide

3.



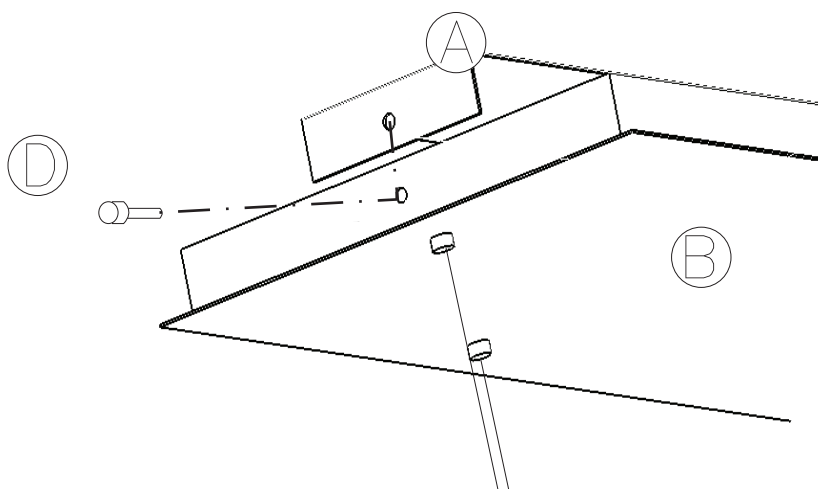
Use support chains **C** provided to hang **B** off of **A**

6.



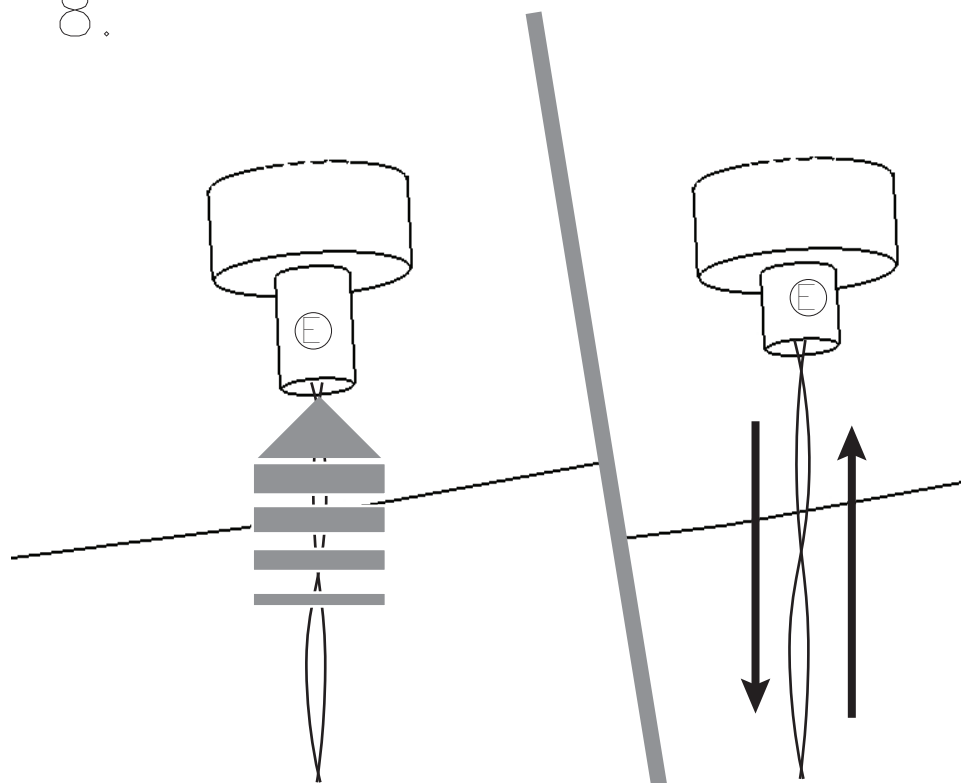
Remove chains from one side only, and attach **B** to **A** with the button head screw **D**

7.



Remove remaining chains and attach **B** to **A** on other side with button head screws **D**

8.



Pendant Cable length may be adjusted up and down by pressing in wire toggle **E** and **gently** pushing /pulling cable