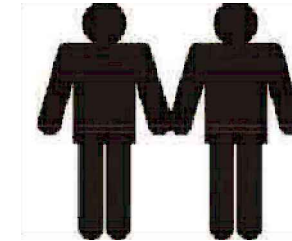
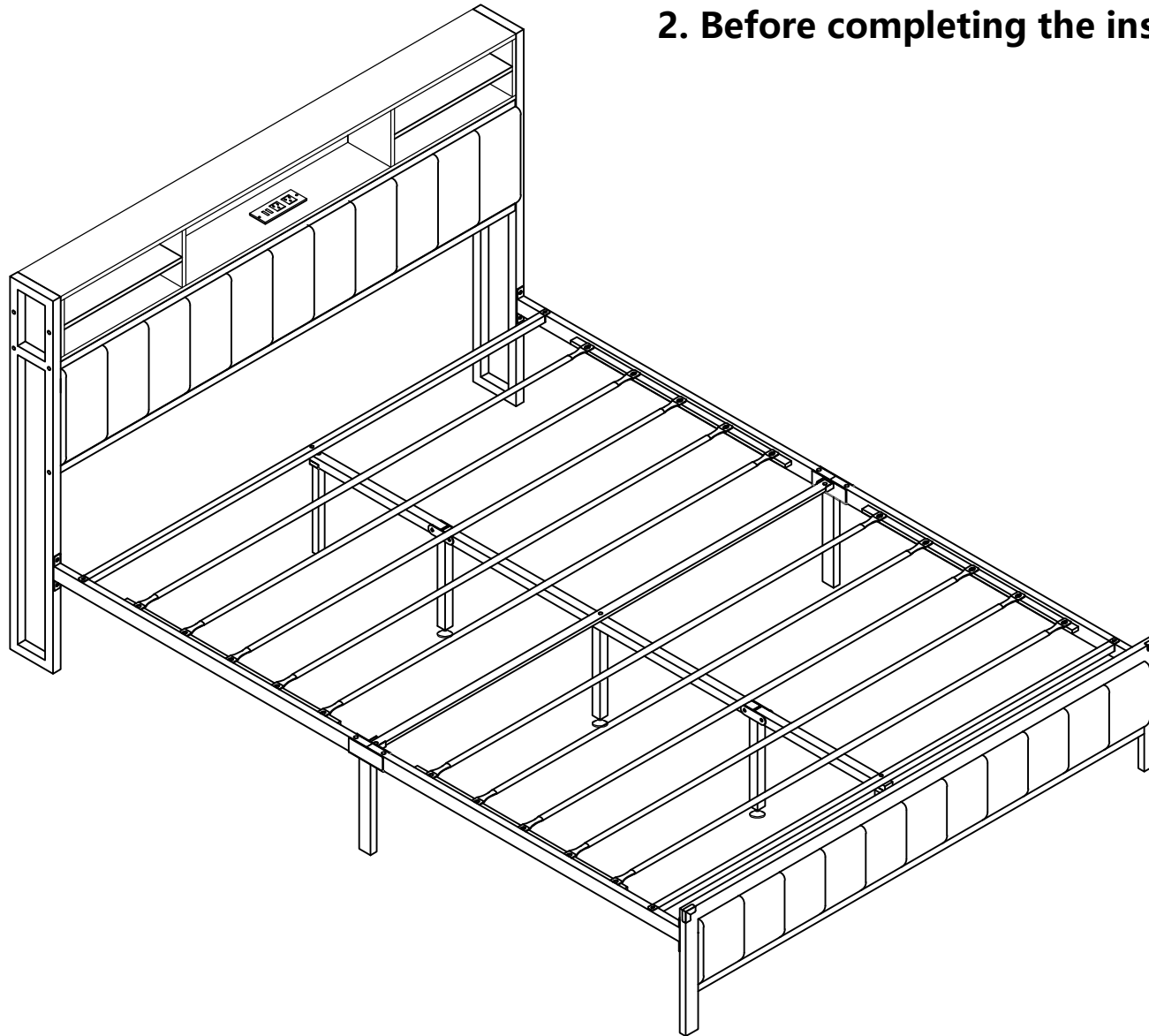


Assembly Instruction

Note:

- 1. Should be assembled on flat ground to keep balance.**
- 2. Before completing the installation, do not tighten the screws.**



It needs at least two people to install.



Before starting the assembly, you must read the whole manual and follow the instructions

Assembly Instruction of Bed

Bedside cabinet

11

13

28

12

4

7

8

6

9

5

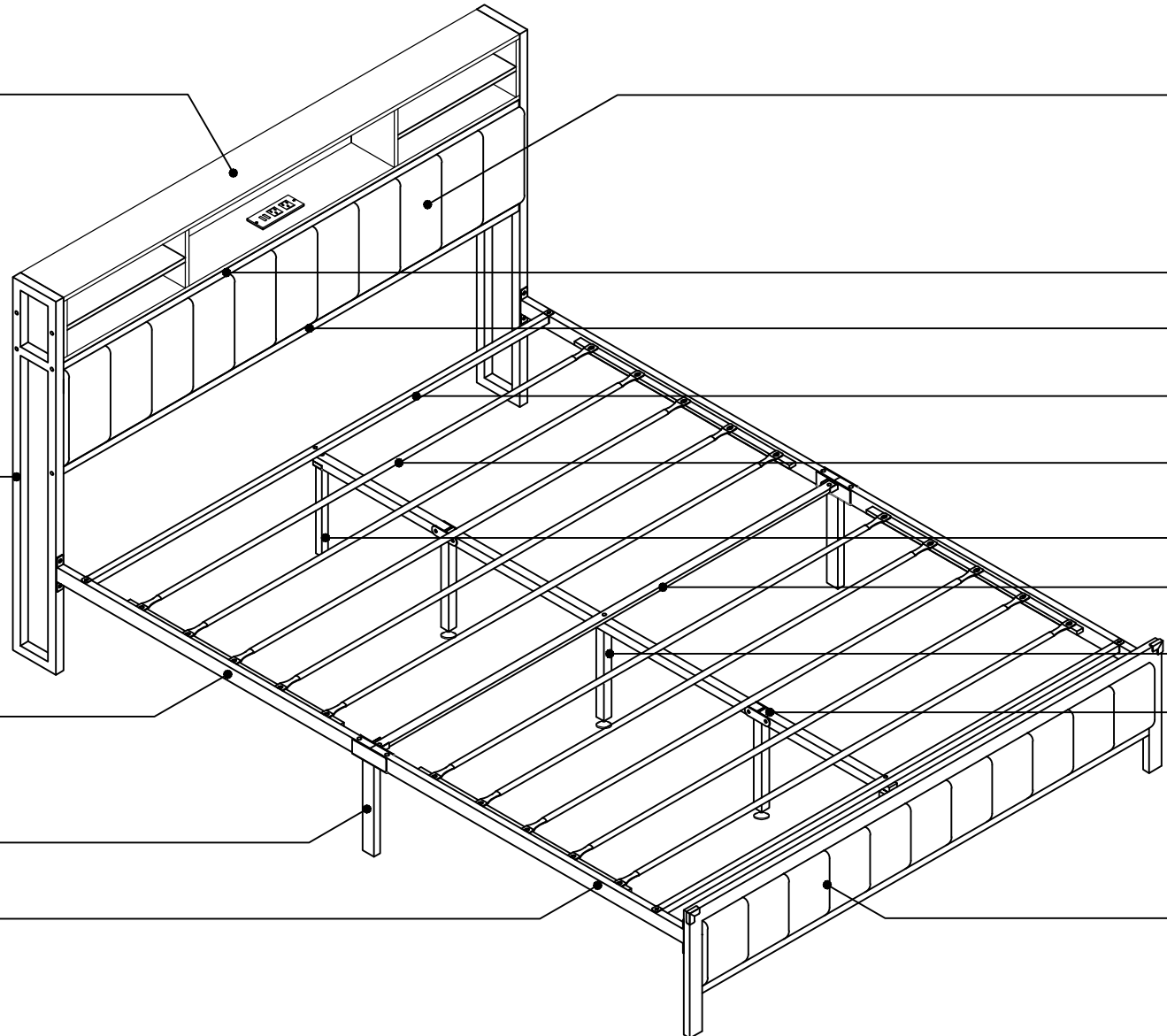
29

1

3

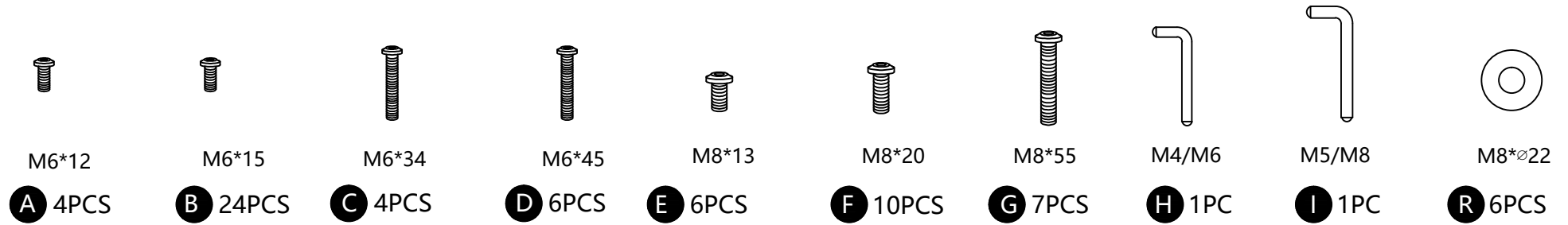
2

10

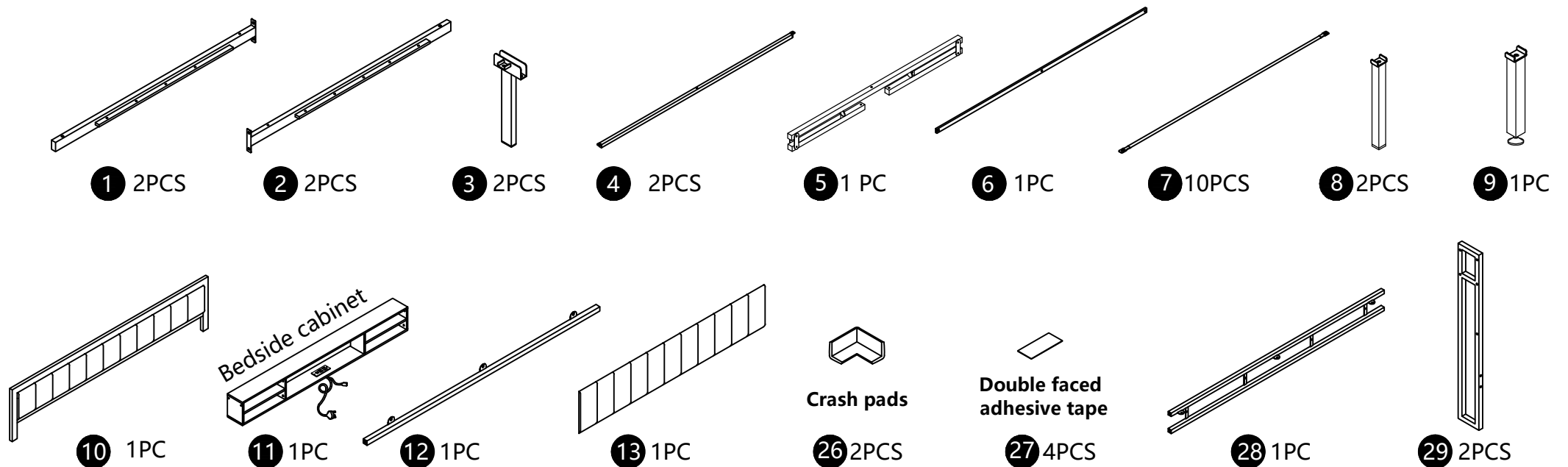


Assembly Instruction of Bed

Hardware parts



Part list



Assembly Instruction of Bedside cabinet

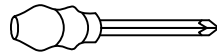
Hardware parts



J 24PCS



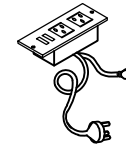
K 24PCS



L 1PC

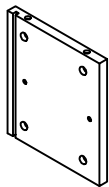


M3*12
M 2PCS

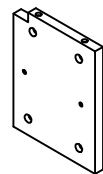


N 1PC

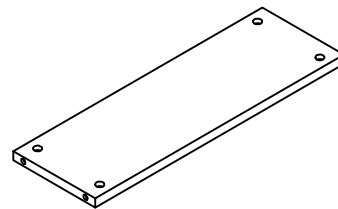
Part list



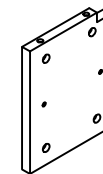
20 2PCS



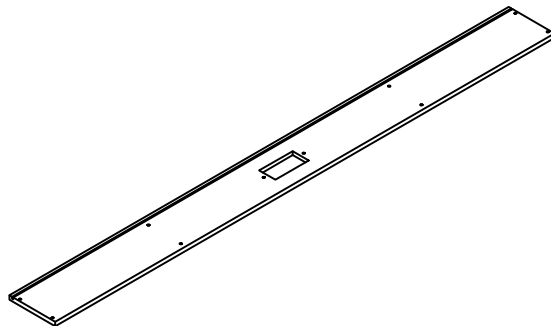
21 1PC



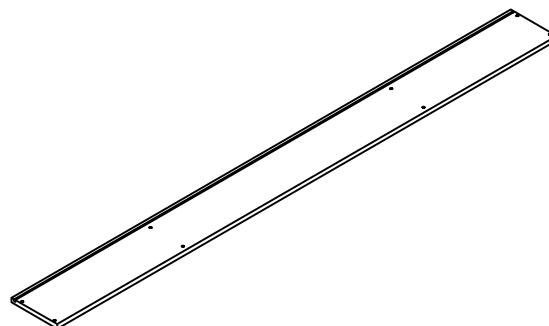
22 2PCS



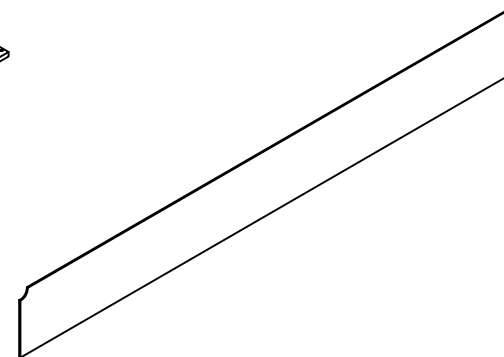
30 1PC



23 1PC



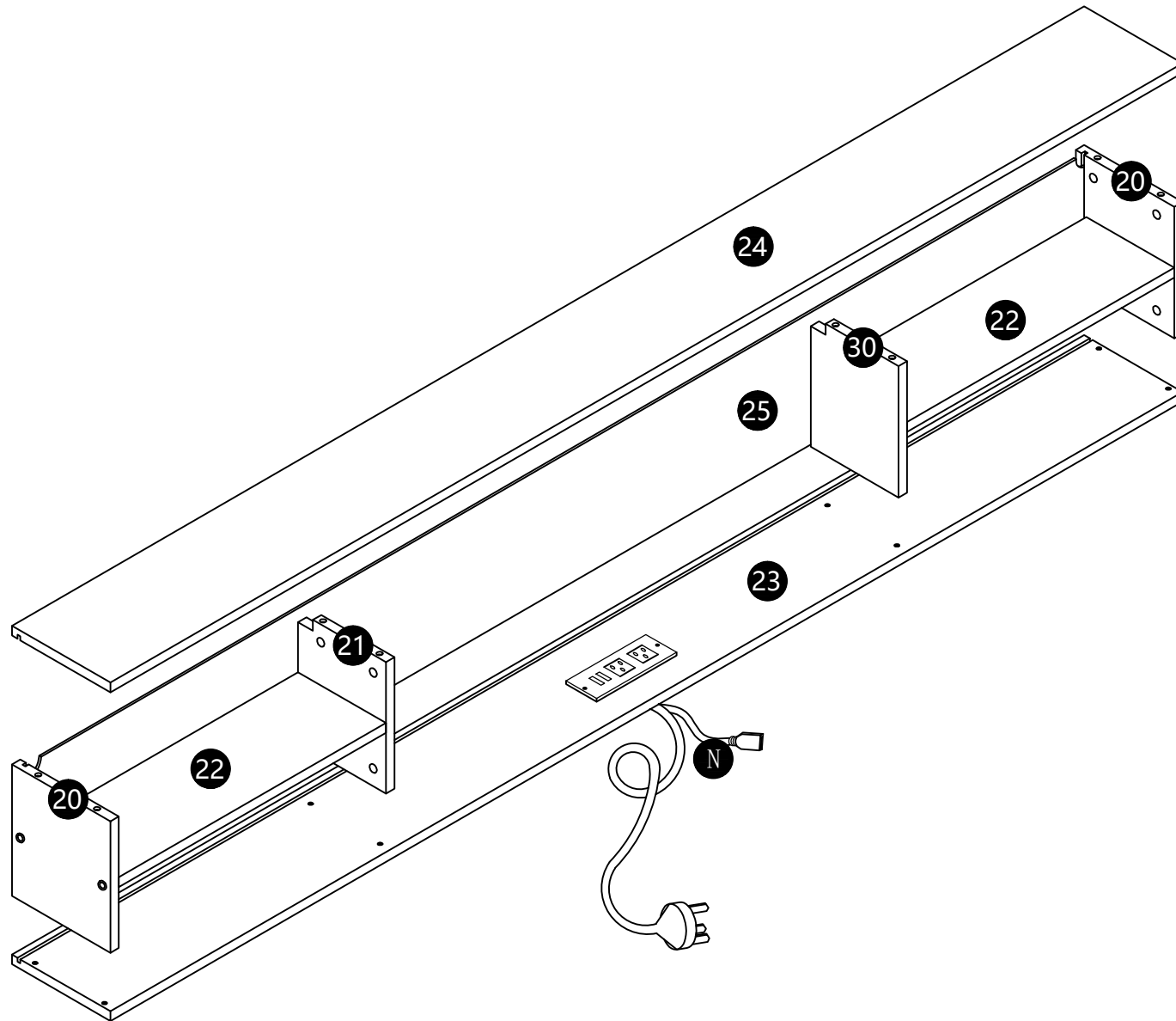
24 1PC



25 1PC

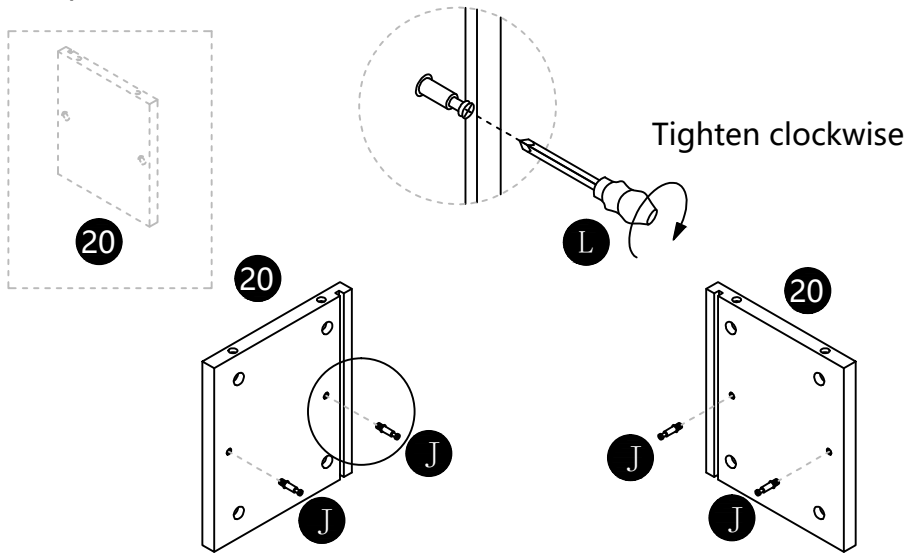
Assembly Instruction of Bedside cabinet

Exploded general view



Assembly Instruction of Bedside cabinet

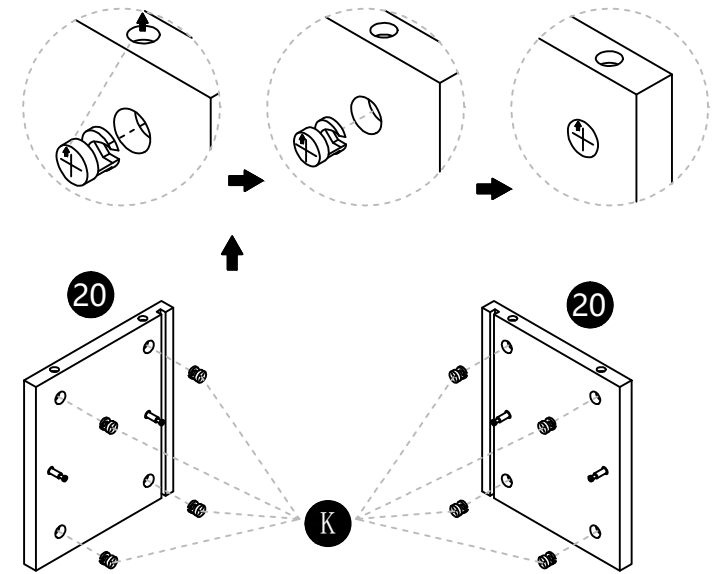
Step:1



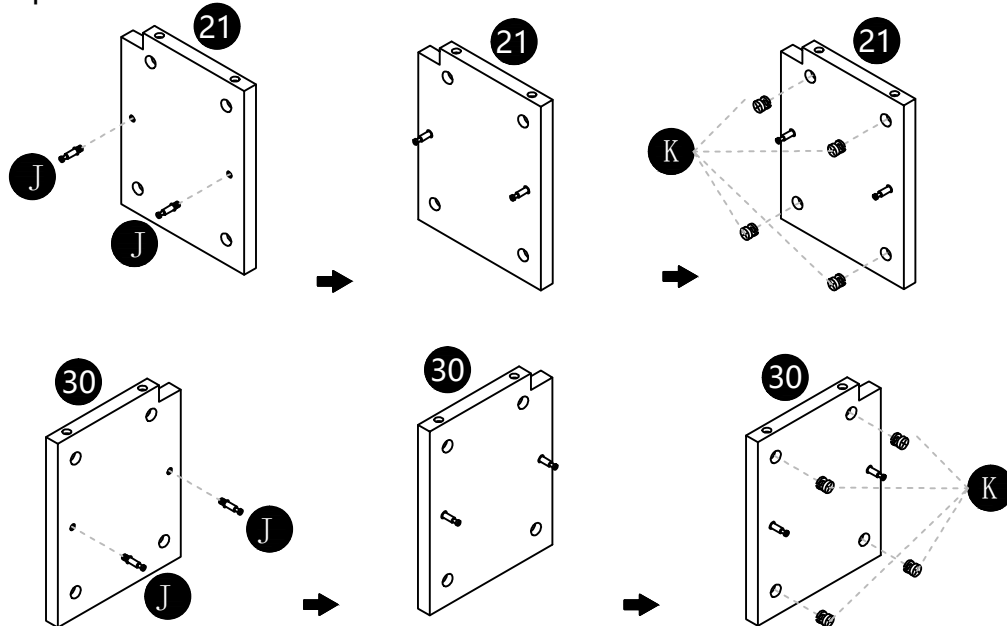
Step:2

1. As shown in the figure, just put the nut (K) in first. If the nut falls off before locking, insert it back.

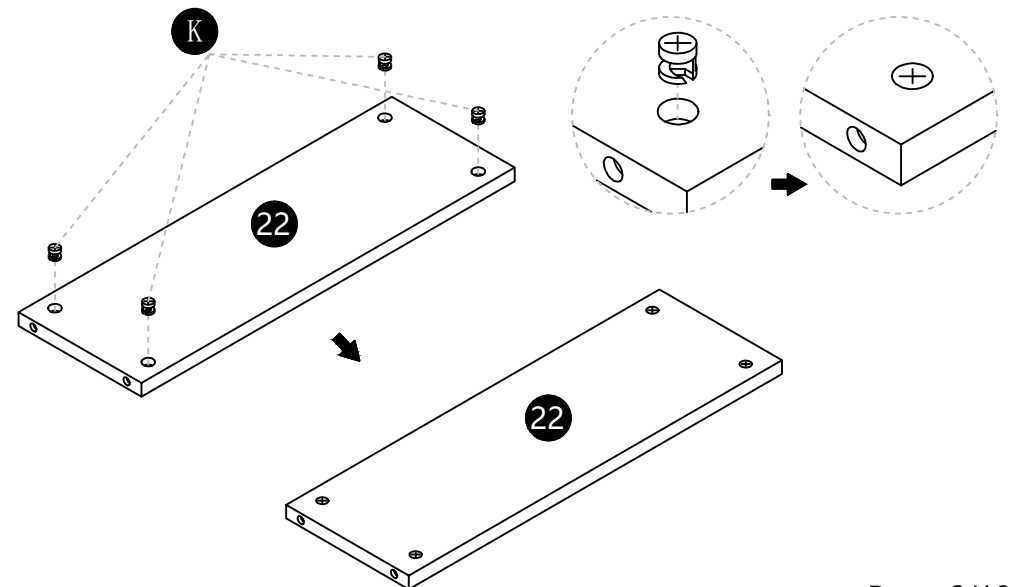
2. There is an arrow on the nut. Please align the arrow with the side hole.



Step:3



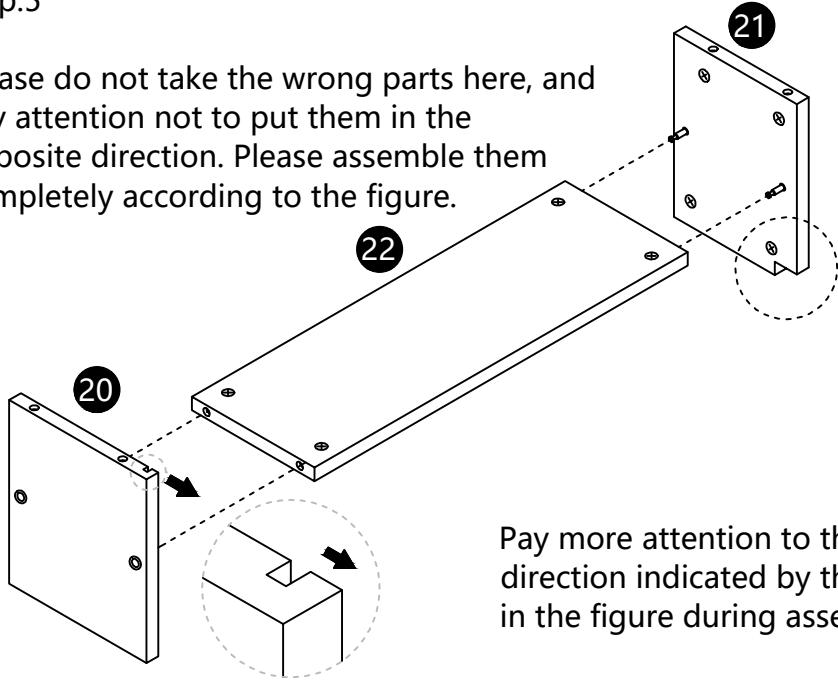
Step:4



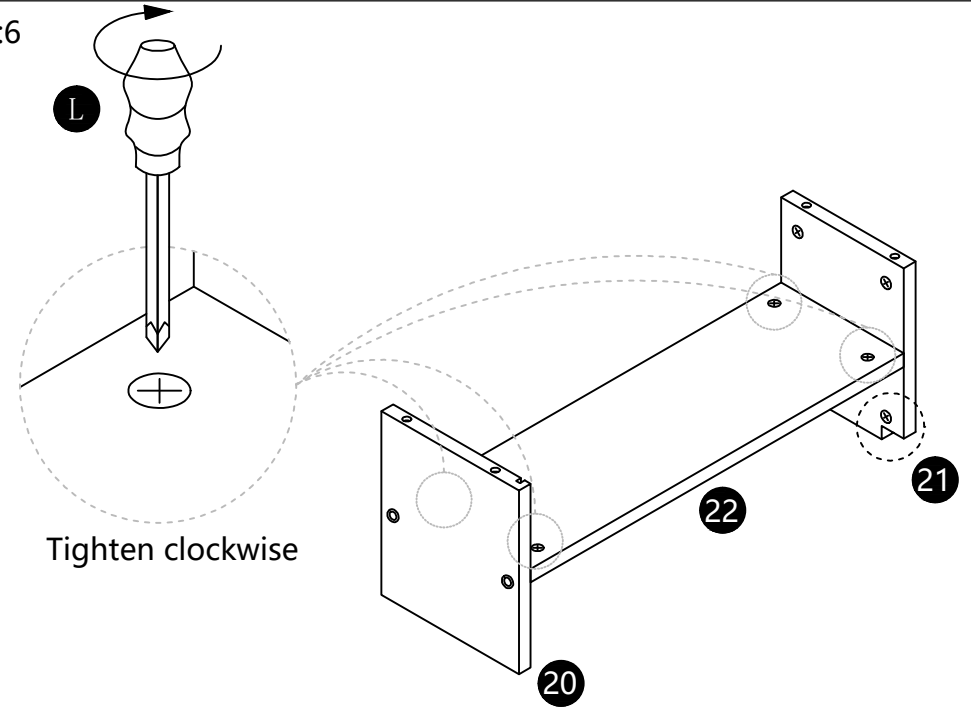
Assembly Instruction of Bedside cabinet

Step:5

Please do not take the wrong parts here, and pay attention not to put them in the opposite direction. Please assemble them completely according to the figure.

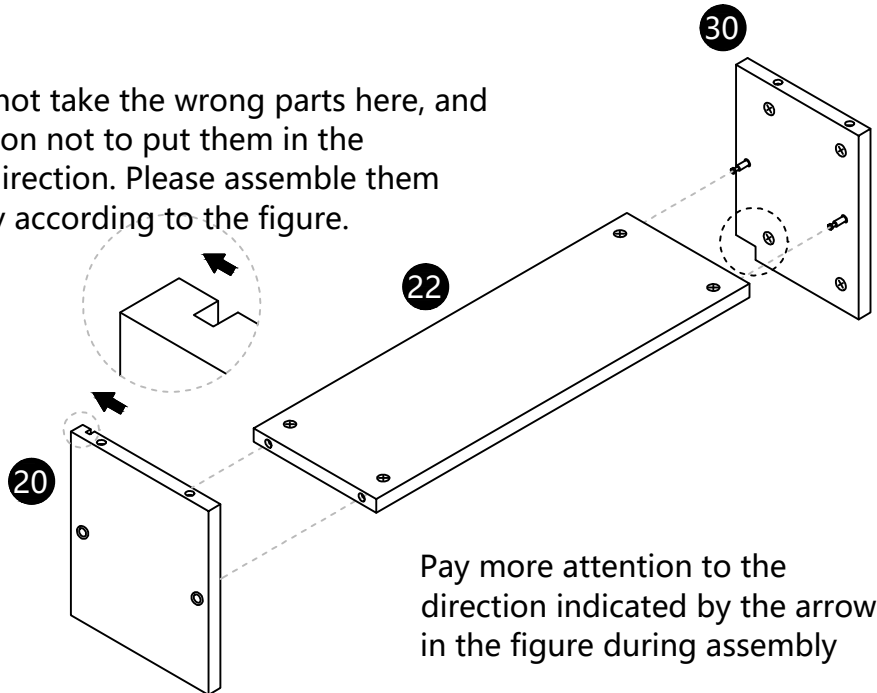


Step:6

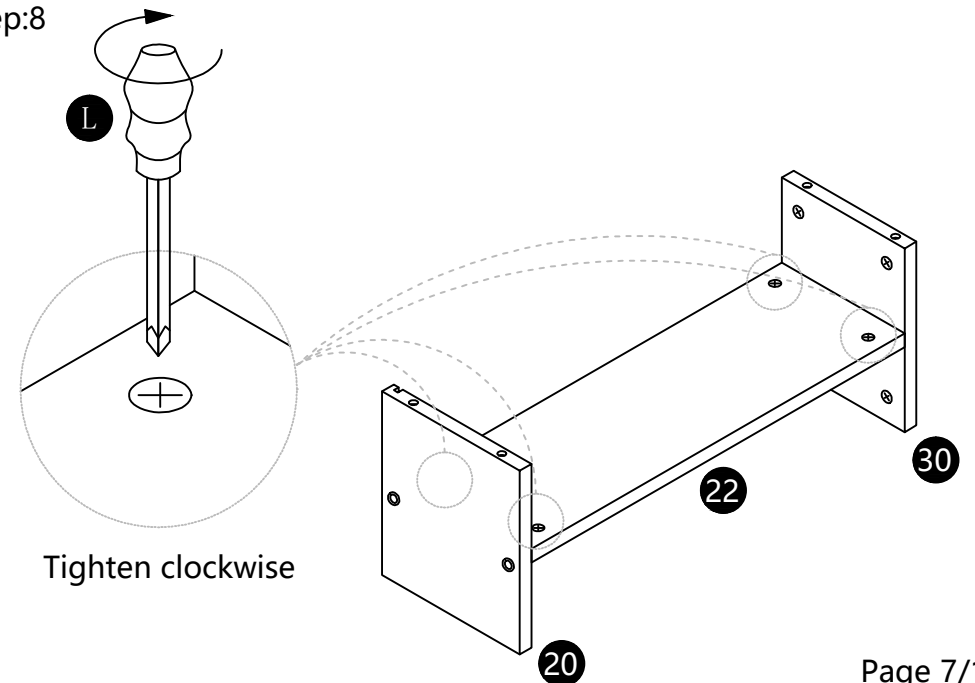


Step:7

Please do not take the wrong parts here, and pay attention not to put them in the opposite direction. Please assemble them completely according to the figure.



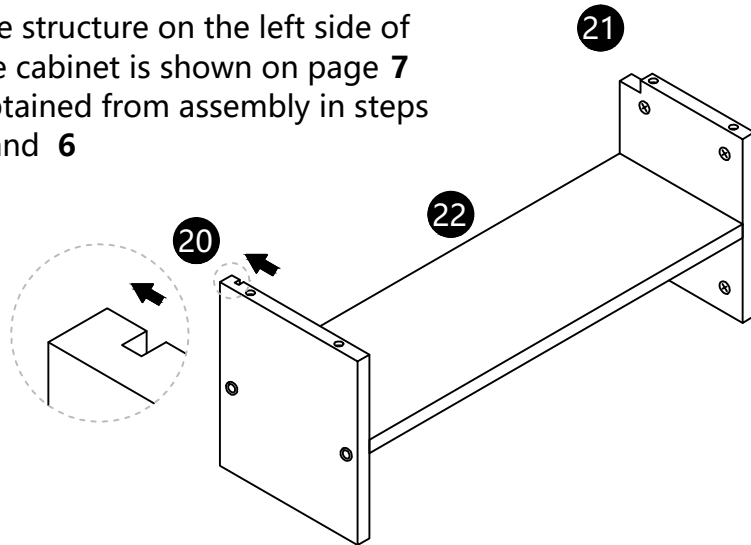
Step:8



Assembly Instruction of Bedside cabinet

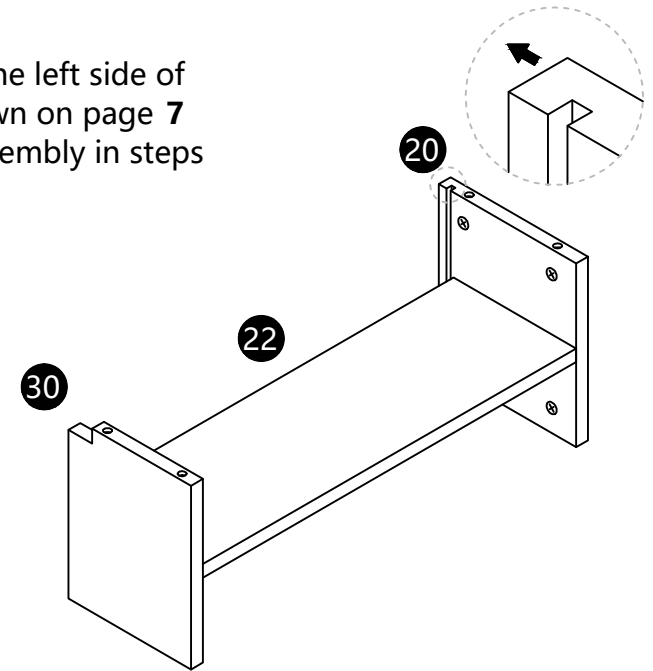
Step:9

The structure on the left side of the cabinet is shown on page 7
Obtained from assembly in steps 5 and 6

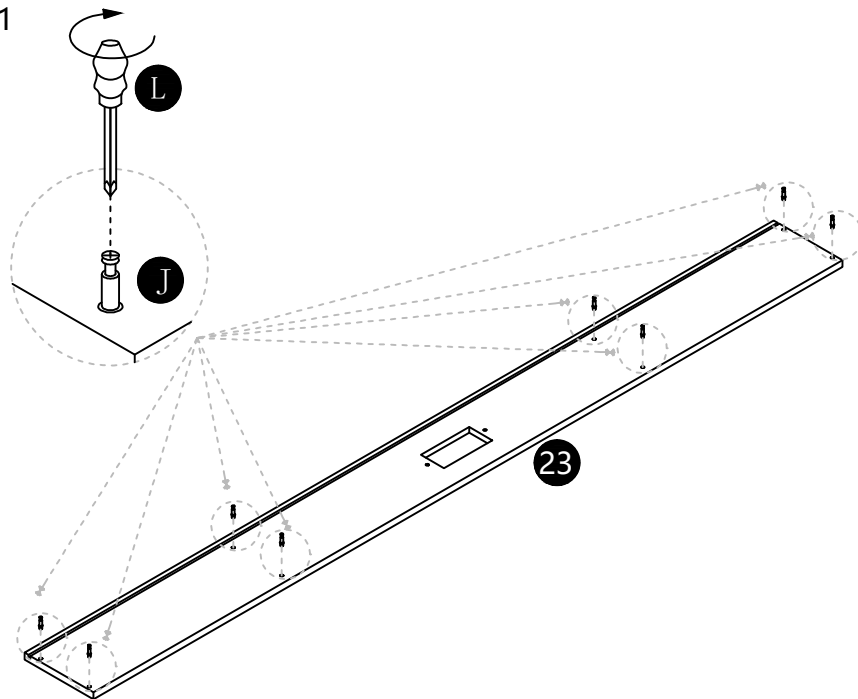


Step:10

The structure on the left side of the cabinet is shown on page 7
Obtained from assembly in steps 7 and 8

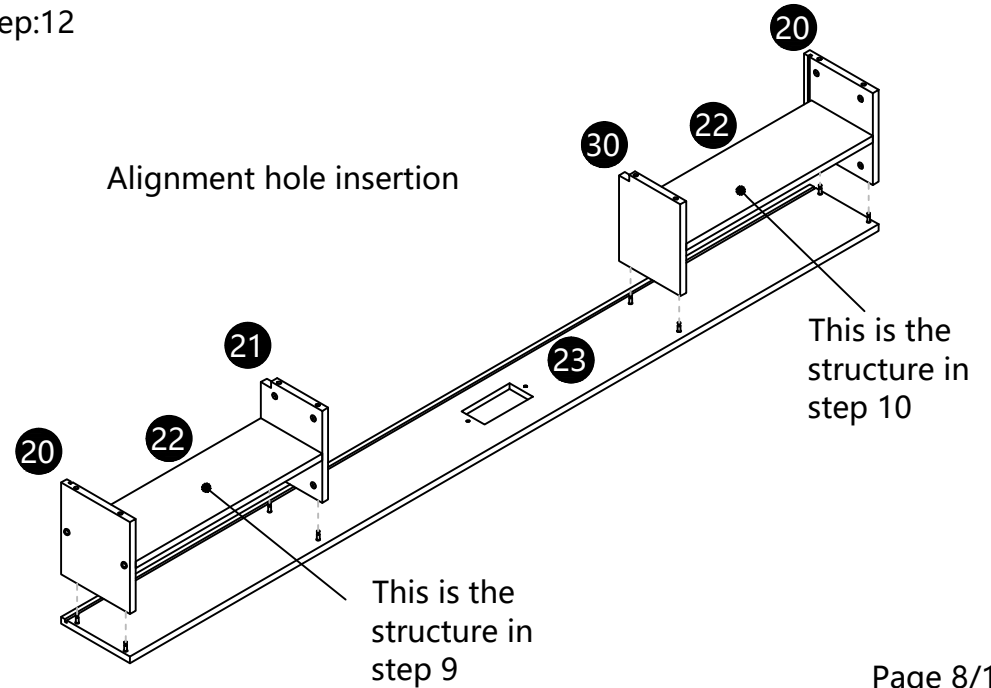


Step:11



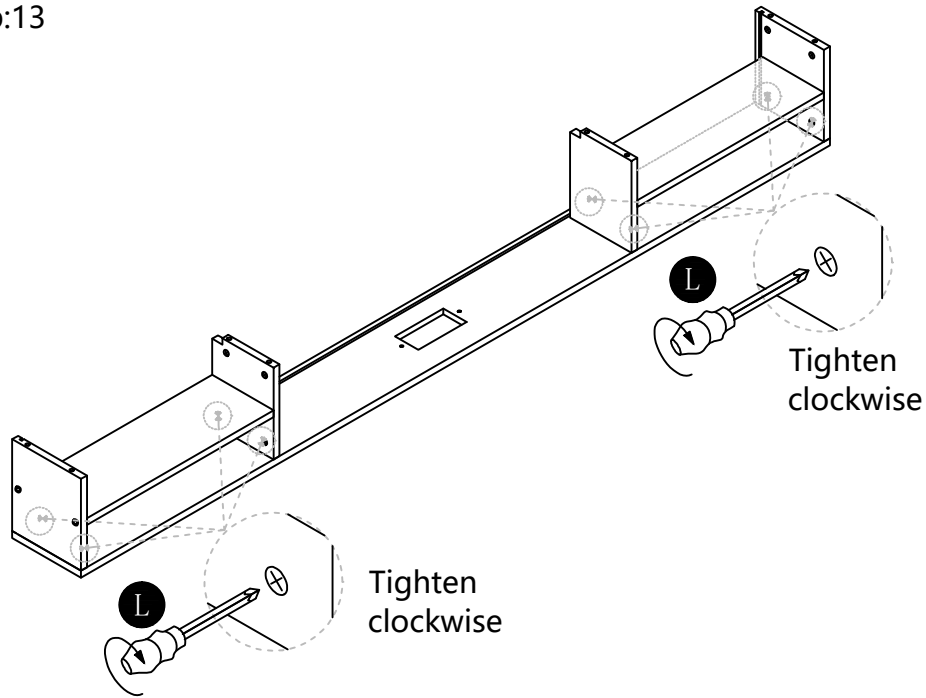
Step:12

Alignment hole insertion

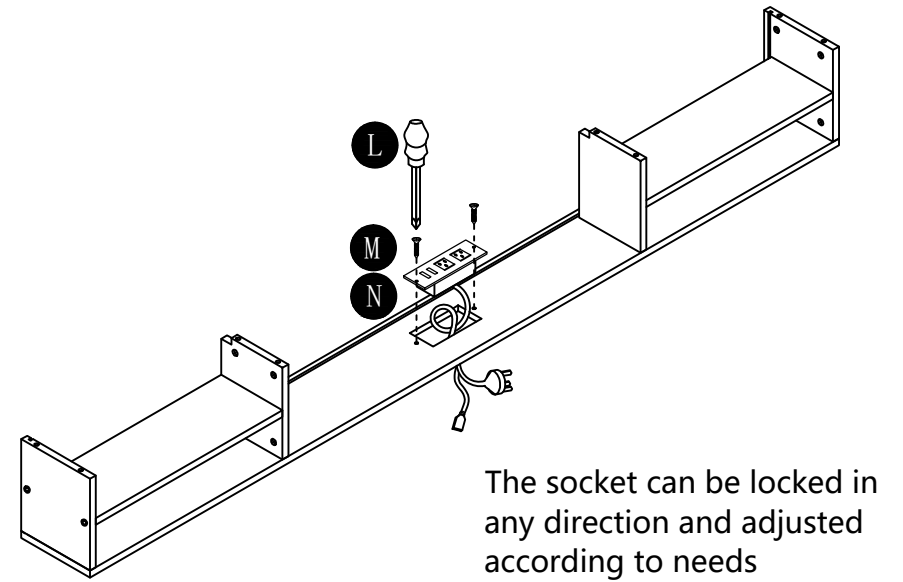


Assembly Instruction of Bedside cabinet

Step:13

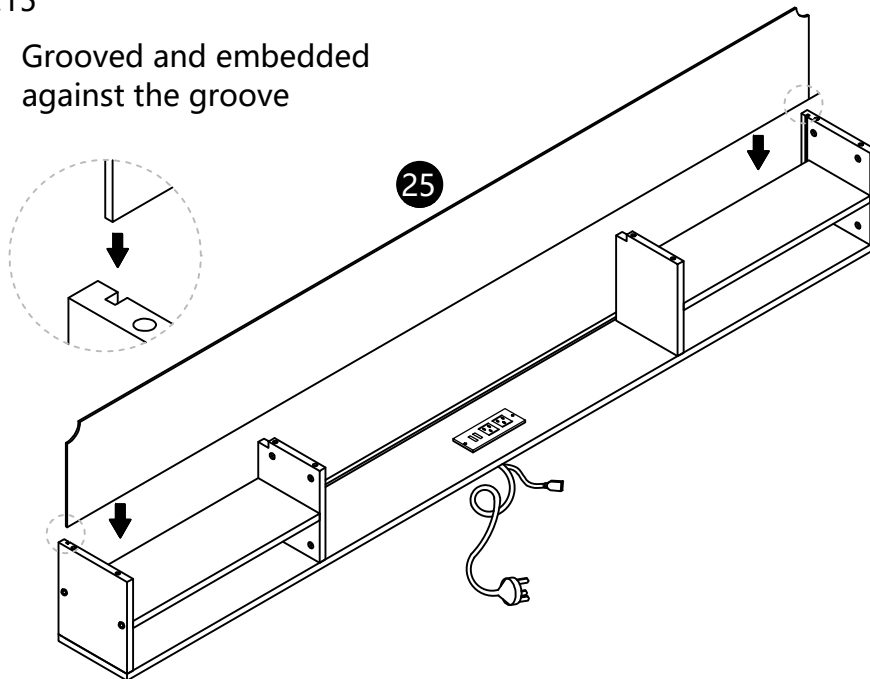


Step:14

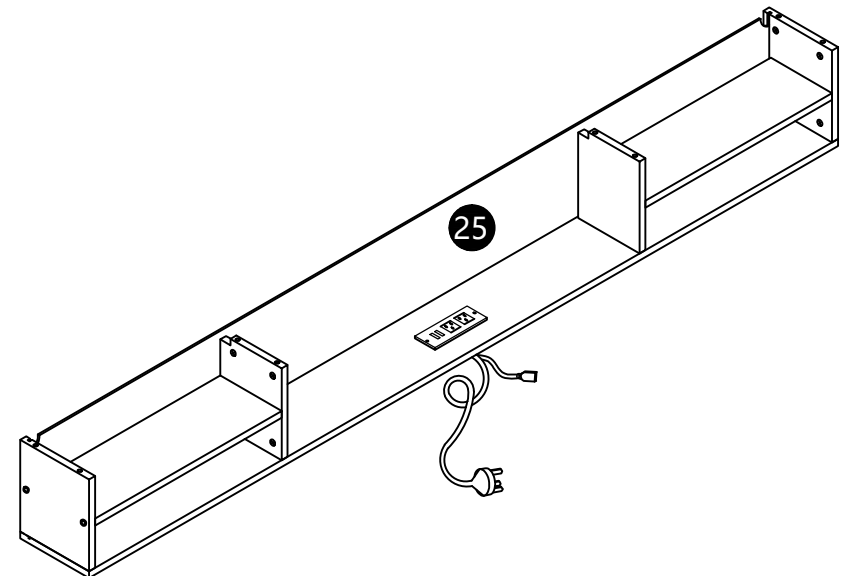


Step:15

Grooved and embedded against the groove

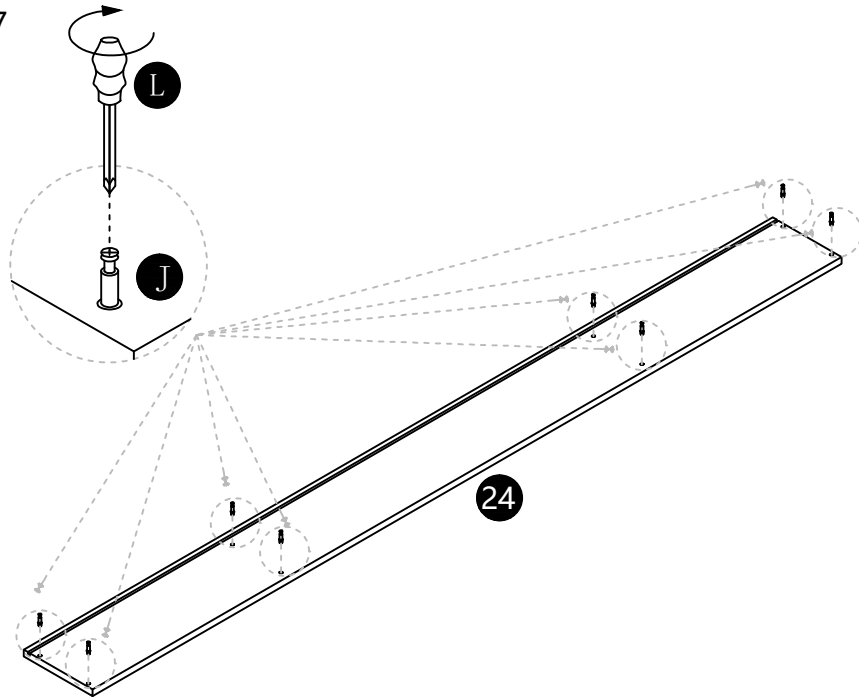


Step:16

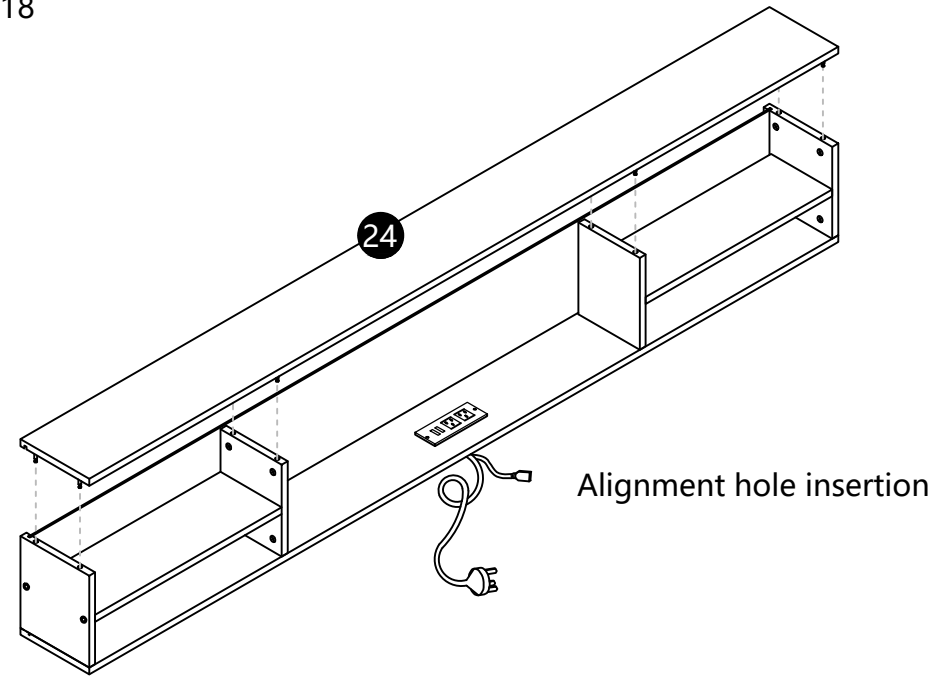


Assembly Instruction of Bedside cabinet

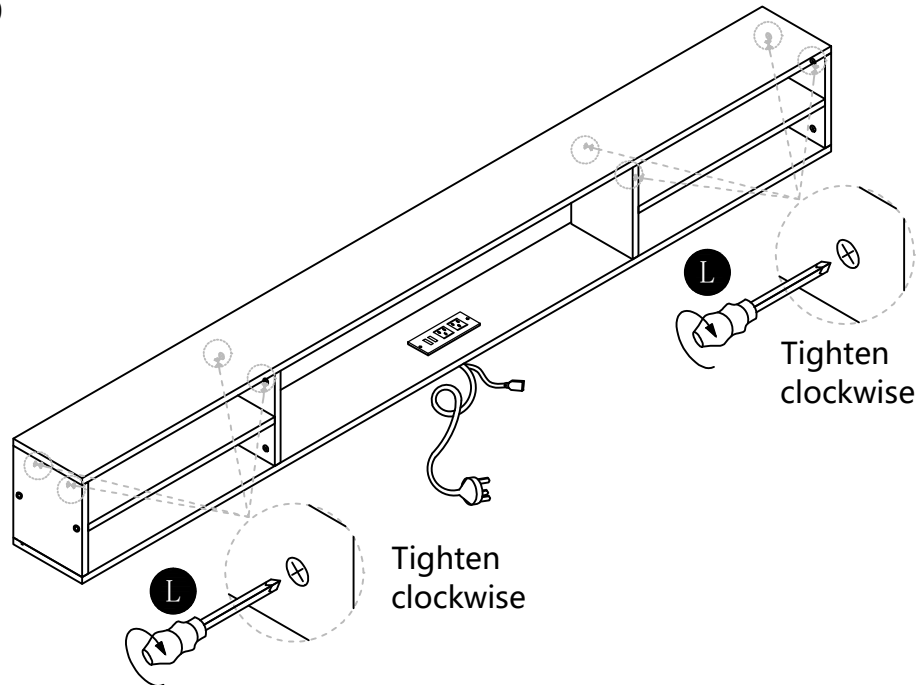
Step:17



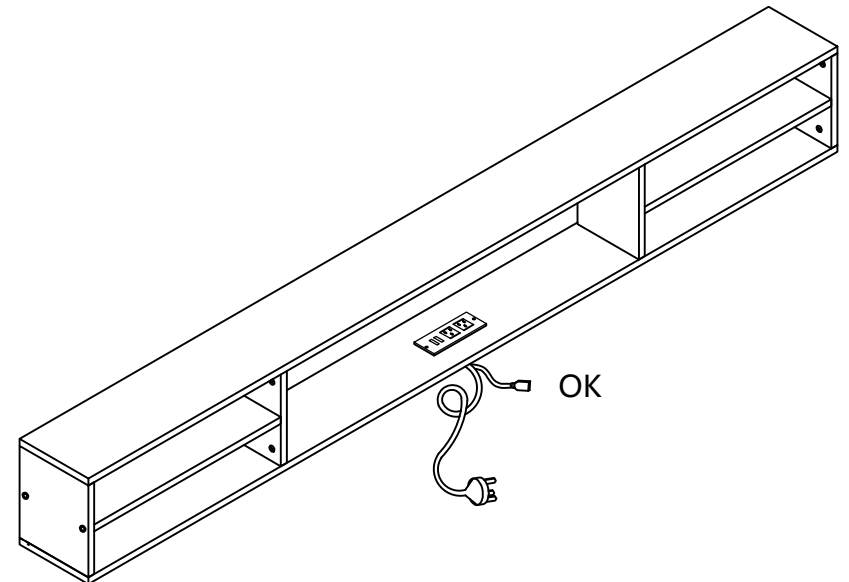
Step:18



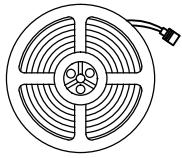
Step:19



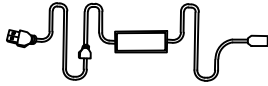
Step:20



Additional instructions of LED light bar



1PC
light bar



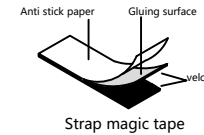
1PC
Power cord



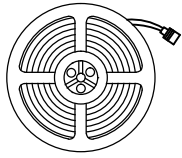
1PC
Remote control



3PCS
Strap magic tape



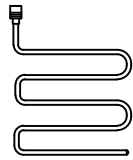
When the wires are disordered, tear off the anti stick paper, paste it on the place where the wires pass, and then bind the wires.



light bar



Pull out
and unfold



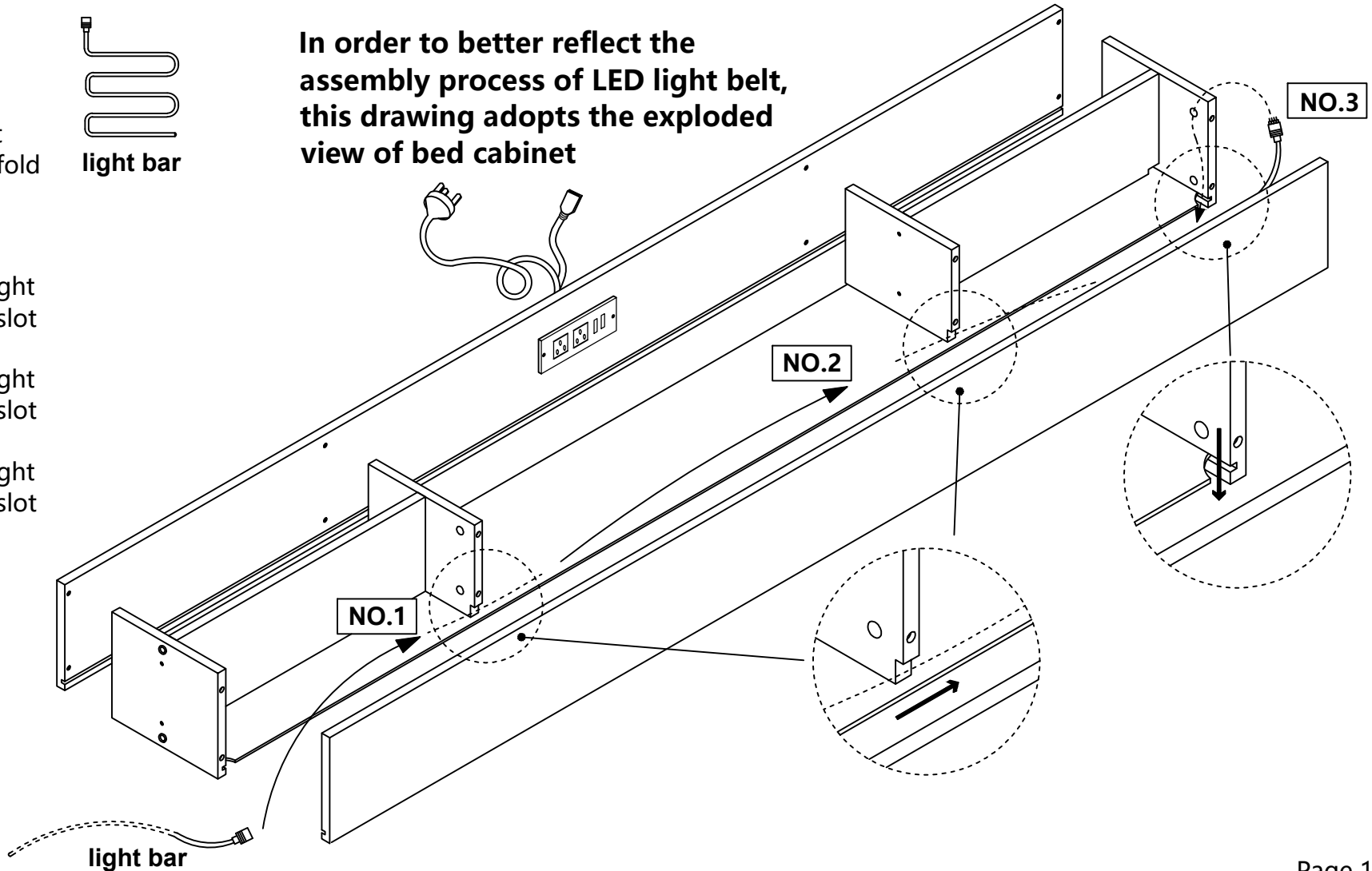
light bar

In order to better reflect the assembly process of LED light belt, this drawing adopts the exploded view of bed cabinet

NO.1 Pass the LED light bar through the hole slot

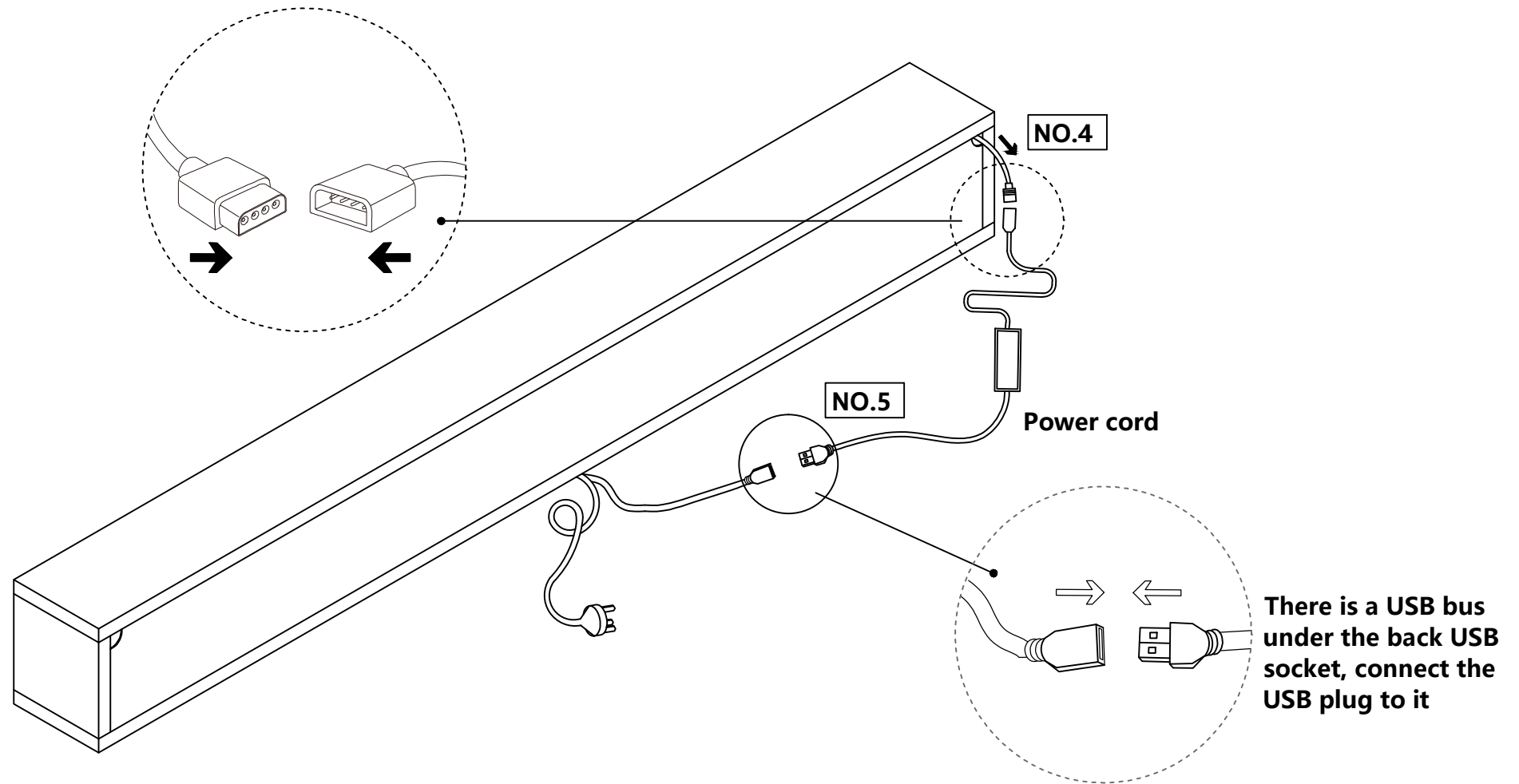
NO.2 Pass the LED light bar through the hole slot

NO.3 Pass the LED light bar through the hole slot



light bar

Additional instructions of LED light bar



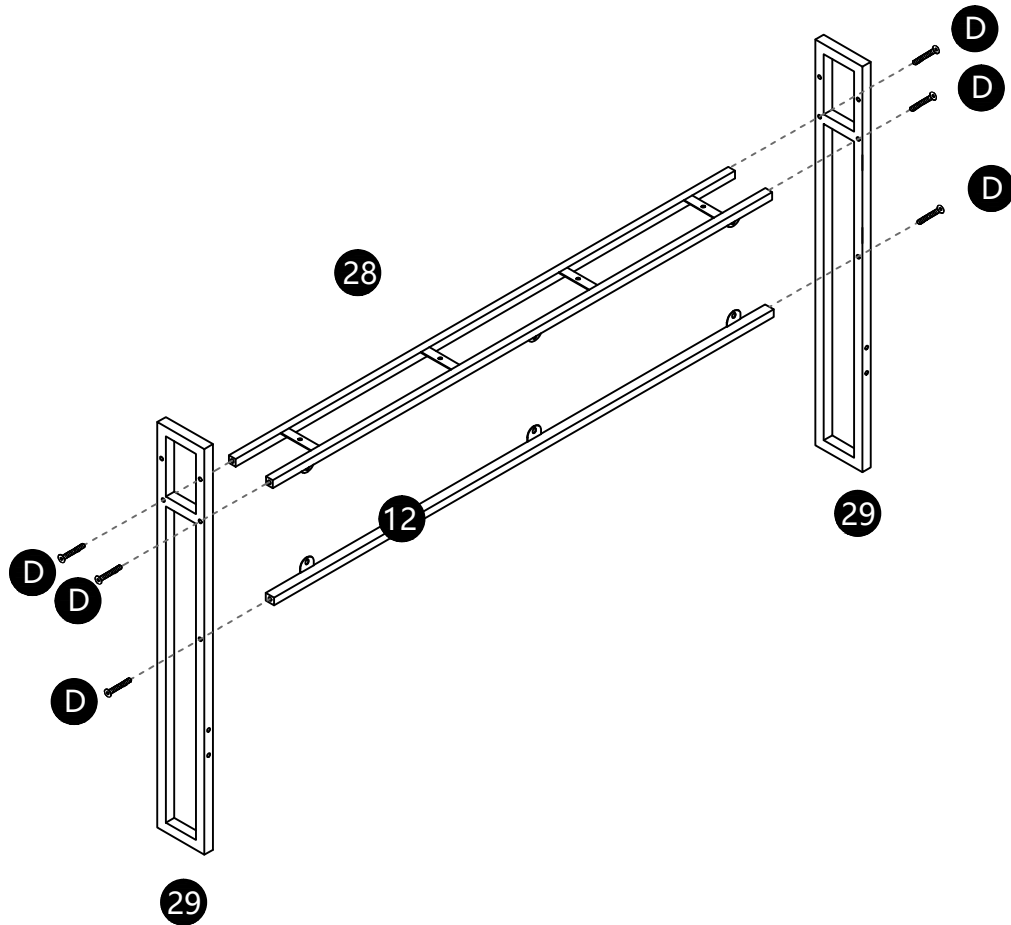
NO.4 The power line passes through the hole slot and is pulled out, And connected with the power cord

NO.5 Please insert the USB plug into the USB female port under the middle plug

Assembly Instruction of Bed

Step:1

 M6*45 **D** X 6PCS

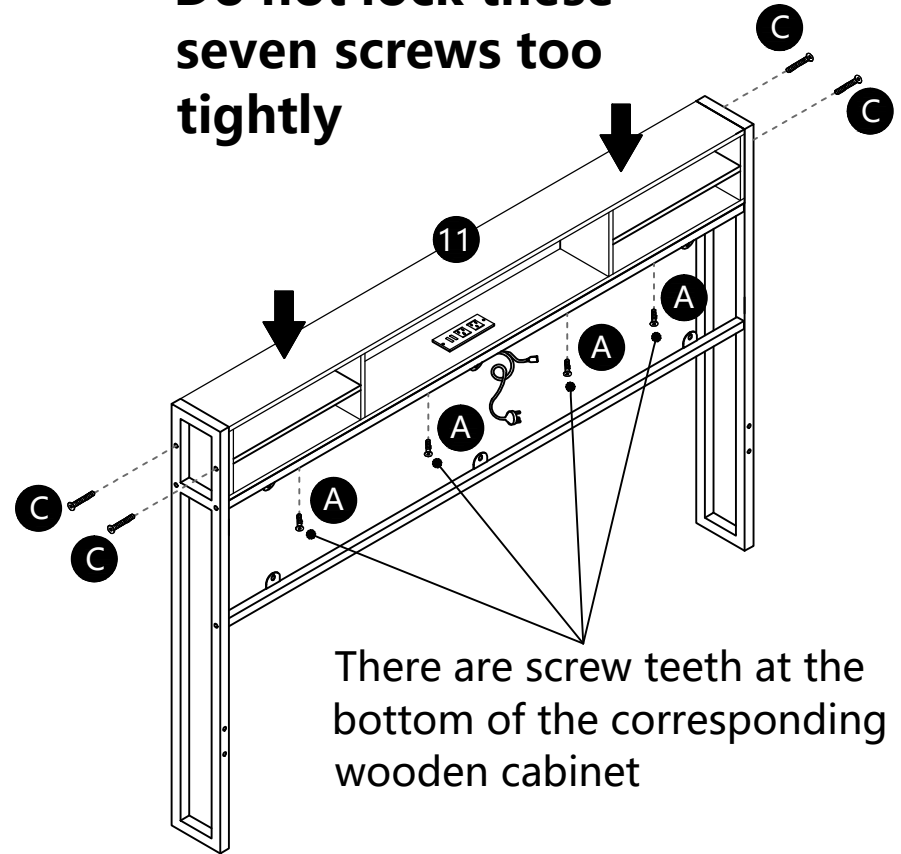


Step:2

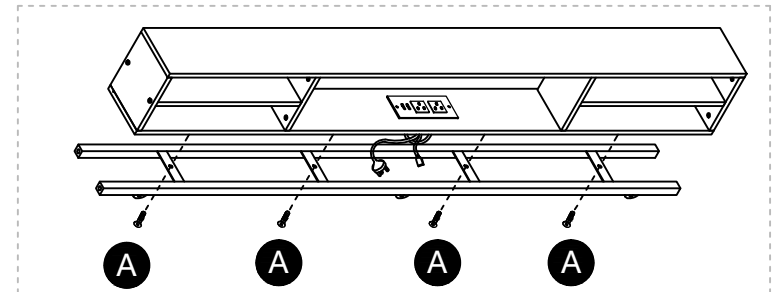
 M6*34 **C** X 4PCS

 M6*12 **A** X 4PCS

Do not lock these seven screws too tightly



There are screw teeth at the bottom of the corresponding wooden cabinet

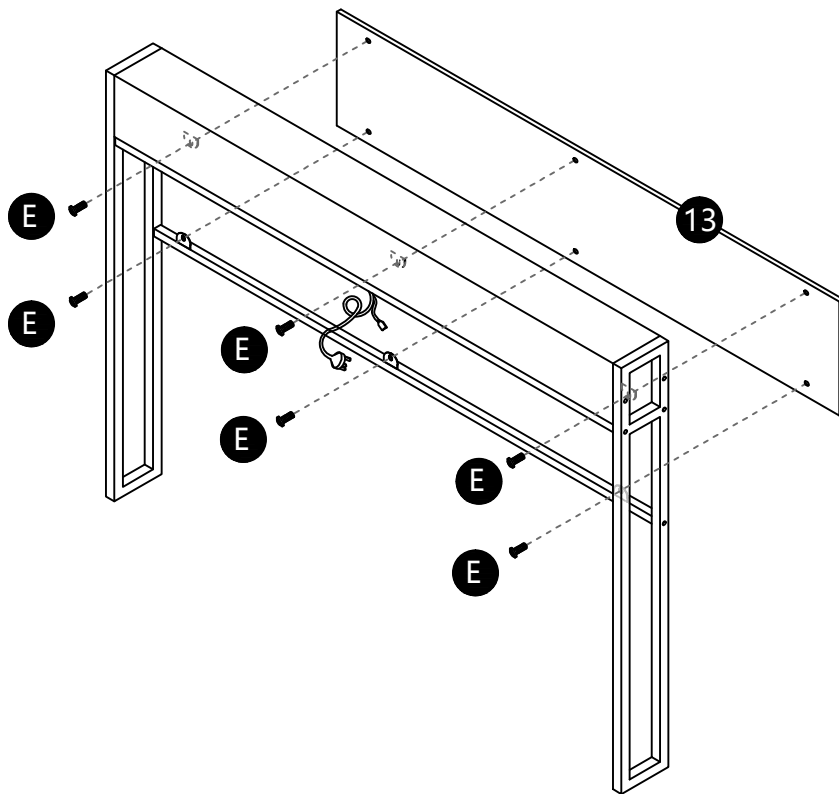


Assembly Instruction of Bed

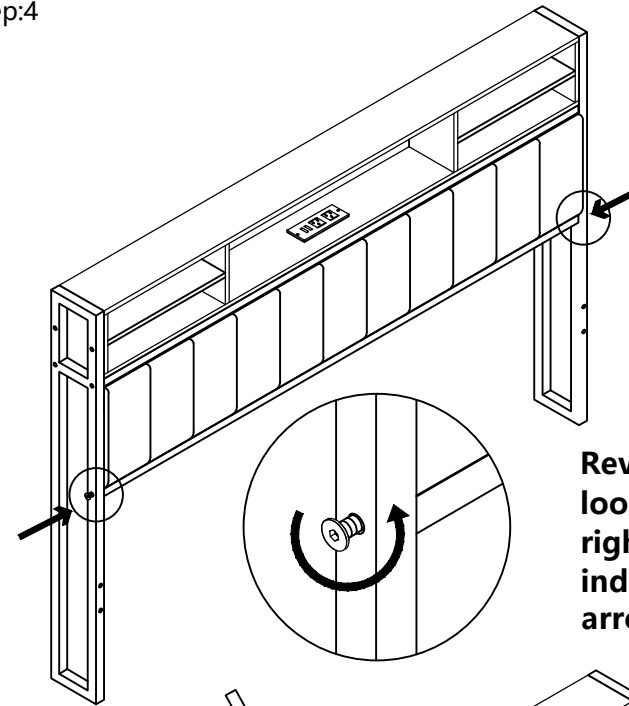
Step:3

 M8*13 **E** X 6PCS

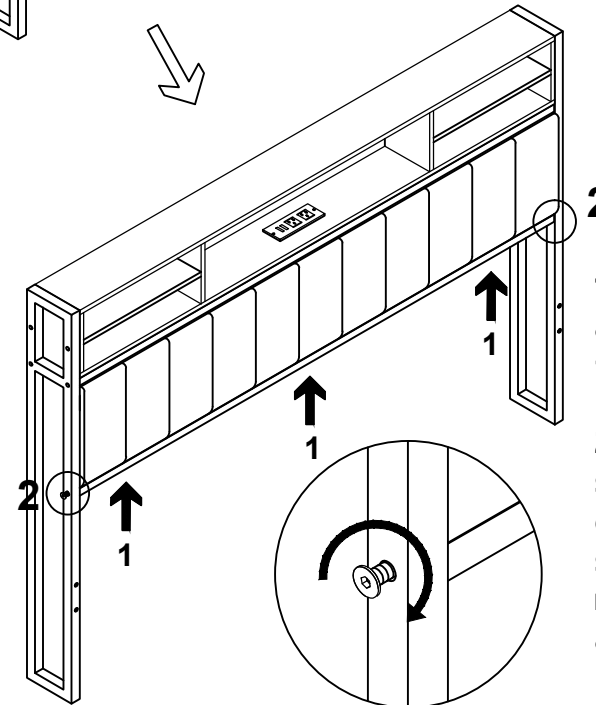
Screw it on first, but do not tighten it.



Step:4



Reverse rotation to loosen the left and right screws indicated by the arrow

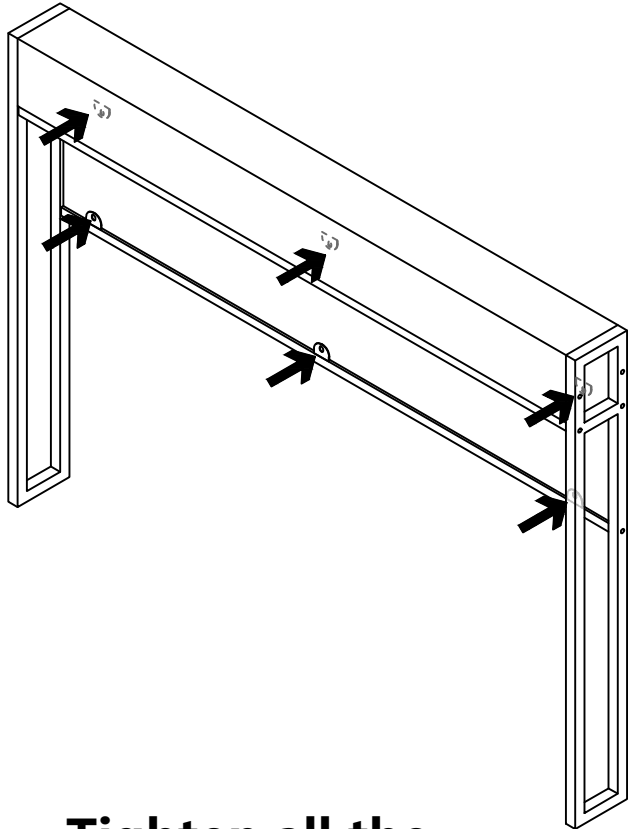


1. As shown by the arrow, lift it up with force

2. Tighten the screws on both sides clockwise at the same time. Please note that 2 people are required here

Assembly Instruction of Bed

Step:5

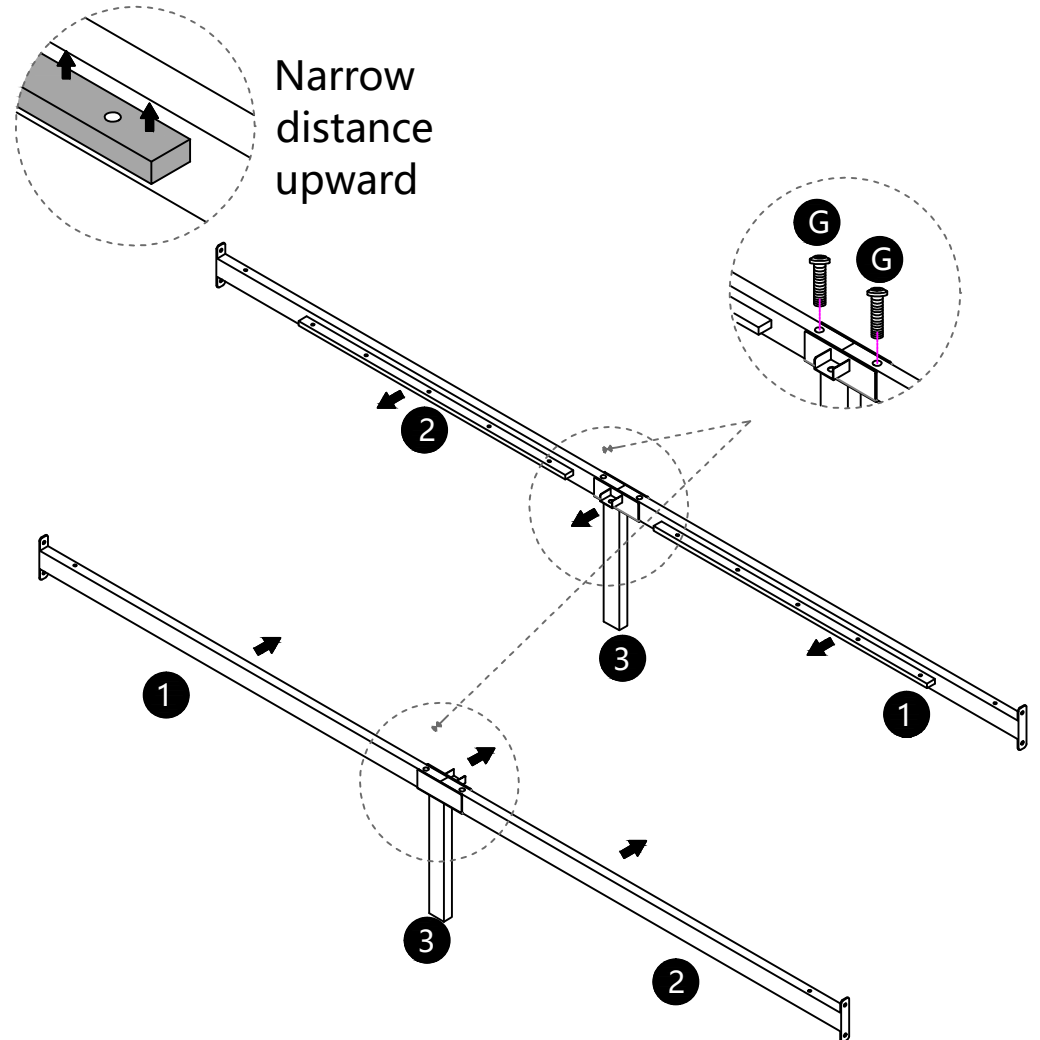


Tighten all the screws that were not tightened on the lock plate just now

Step:6

 M8*55 **G** X 4PCS

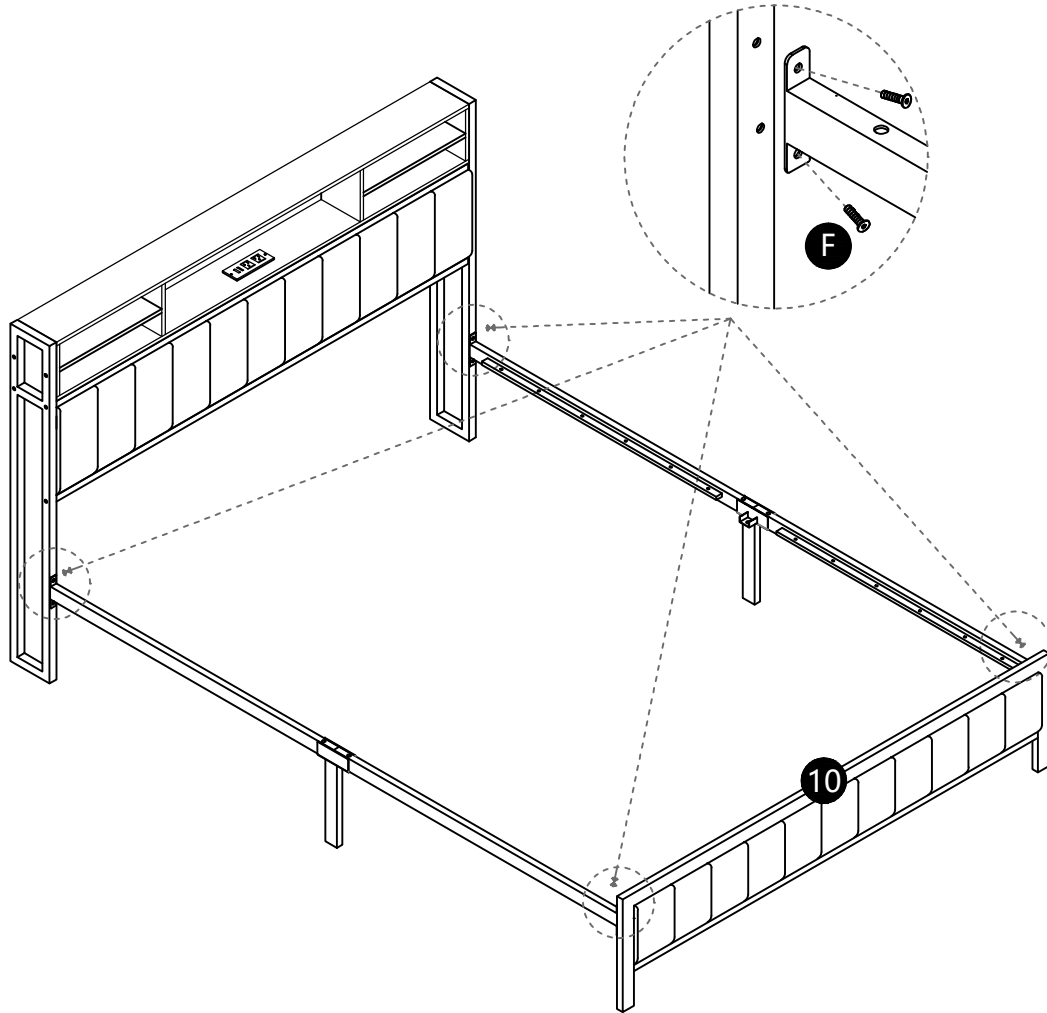
Please pay attention to the direction arrow in the illustration to avoid reverse installation



Assembly Instruction of Bed

Step:7

 M8*20 **F** X 8PCS

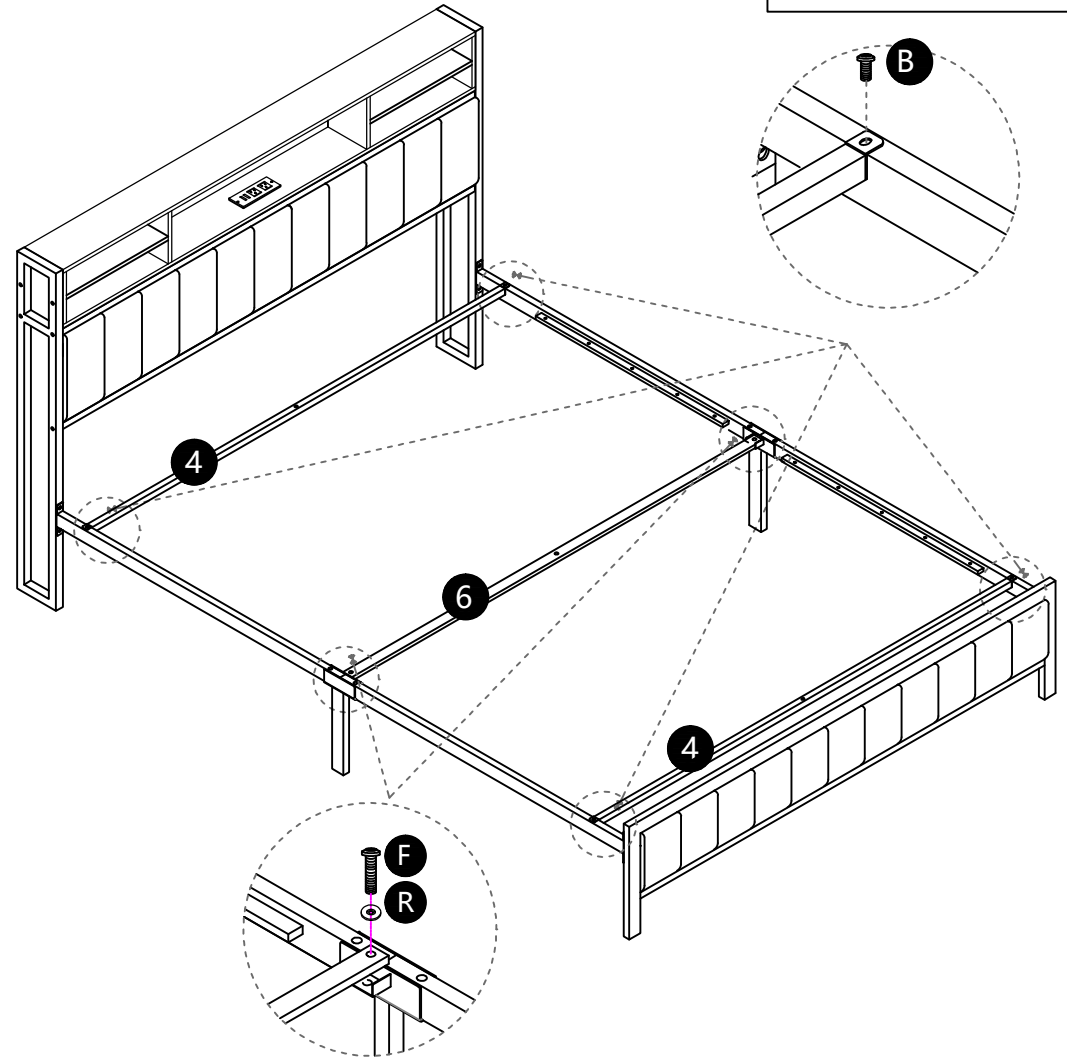


Step:8

 M6*15 **B** X 4PCS

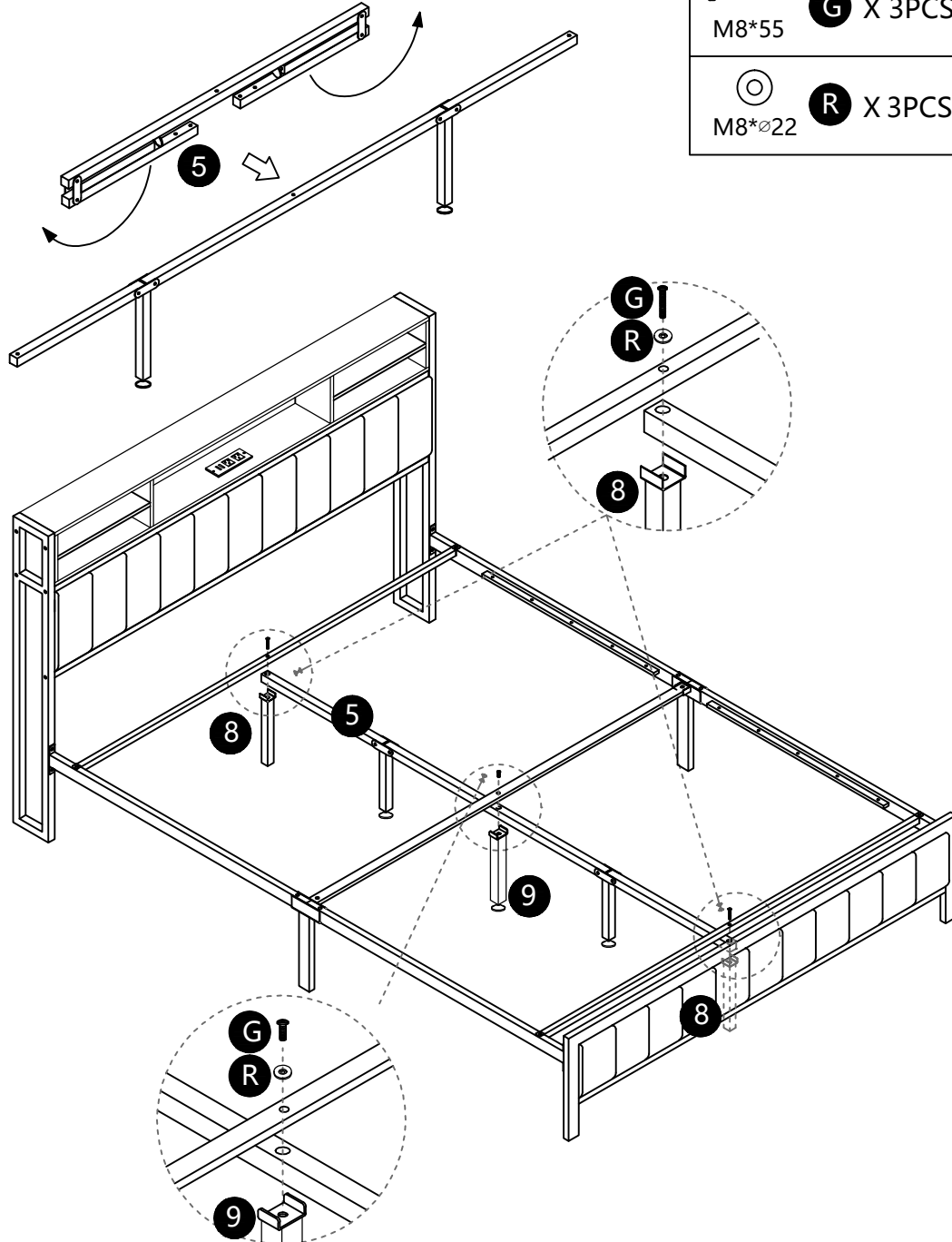
 M8*20 **F** X 2PCS

 M8*Ø22 **R** X 2PCS

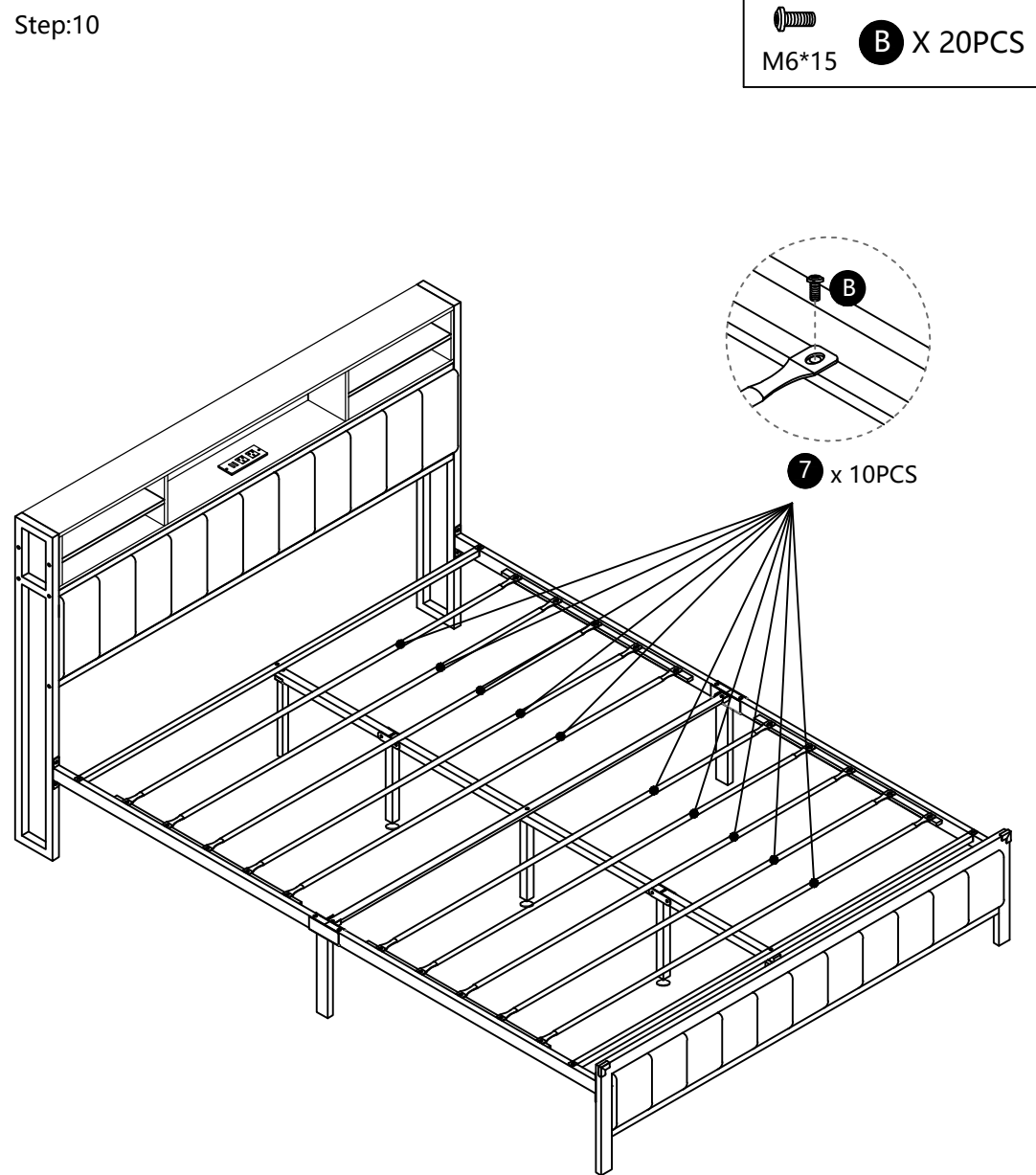


Assembly Instruction of Bed

Step:9



Step:10



Assembly Instruction of Bed

There is a small sealing pocket in the package. There are two pieces of double-sided adhesive tape and two crash pads in the sealing pocket. As shown in the figure below.

