

Ceramic Kitchen Sink

Eridanus kitchen sinks are made from handcrafted ceramic and undergone strict quality inspection. With the non-porous construction, an Eridanus kitchen sink is easy for a cleanup, but requires decent care for a long-term use.

Cleaning

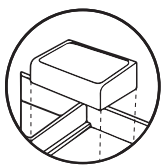
To maintain the appearance of the sink, Eridanus recommend that item be cleaned using a soft cloth and, if necessary, a non-abrasive cleanser, after every use. A simple solution of warm water or a mild liquid non-antibacterial detergent generally does an excellent job. Ensure that the sink is rinsed thoroughly and wiped dry after each clean, as allowing water or cleansers to evaporate will negatively impact the look of the sink.

Maintenance

Avoid storing open containers of household cleaners and chemicals containing chloride such as bleach, acid, and drain cleaners or toilet bowl cleaner beneath the sink. Vapor emission from the chlorides can cause corrosion and pitting to the exposed stainless steel and other metals including faucet water supply lines.

The gloss surface of the sink is susceptible to damage from sharp and metallic objects. The worst offender is metal cutlery. Try to avoid metal objects coming into contact with the surface by using protective plastic bowls, wire grid cutlery holders and drainers with non-abrasive bases.

Never use any form of abrasive cleanser or applicator as they often contain sand or silica that will eventually scratch the surface.



Non-Porous



Rust Resistant



Scratch Resistant




Sound Dampening

It's recommended that a grid/rack be used to protect the surface of your sink.

NOTE: All Eridanus Kitchen Sink comes with a compatible grid.

BEFORE YOU BEGIN

 Caution: Risk of personal injury or product damage. Handle with care.

Read installation and care instructions thoroughly.

Inspect your sink for any noticeable damage before installation.

Observe all local plumbing and building codes.

Product drawings in this installation guide is for illustration purpose only. Actual product may vary

depending on the model.

Due to the manufacturing process, each sink will vary slightly dimensionally. Please refer to the actual model for cut-out process. (No template will be provided as per handmade procedure)

Be sure to provide enough counter space for the faucet, water supply lines, drain assembly, garbage disposal mounting system and structural parts of cabinet.

Improper installation of this product will void the warranty and may cause damage to the surrounding area. A professional installer is recommended during installation.

Three installation options are available for the sink: undermount installation, flush-mount installation, built-up installation. However, we recommend solely undermount installation.

The other two options are not recommended.

TOOLS & MATERIALS



Safety Glasses



Tape Measure



Sealant



Pencil or Marker



Drill



Framing Square



Equipment for
Protection



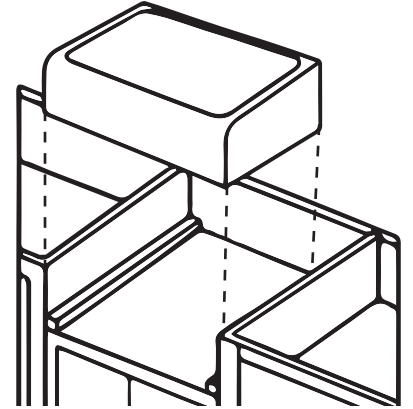
Hacksaw/Jigsaw



Basin Wrench

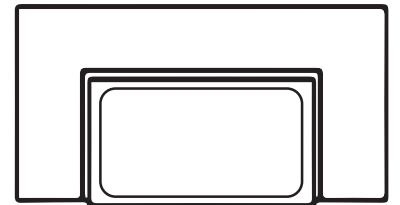
PREPARE THE BASE CABINET

Eridanus farmhouse sinks may require custom cabinetry. Build a plywood platform on a support frame inside of the sink base cabinet. Platform must support the weight of the sink and any attachments such as garbage disposals. When the sink is placed onto a platform, make sure the top of the sink is evenly flush against the bottom of the counter-top. Allow clearance for water supply line and drains or garbage disposal, as necessary.



TEMPLATE AND CUTOUT

No template is provided due to variation dimensionally of each item. Make proper cutout of the countertop depending on the installation option. Eridanus recommends a 1/4" reveal on 3 sides when installed undermount style. The actual sink is used as the template guide for each installation. After centering the sink and allowing for any faucets and backsplashes, use a pencil or marker to outline the sink as your guide for the cutout, allowing for any reveal before the actual cutting.

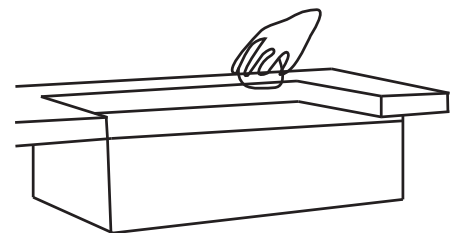


SET THE SINK

Test fit the sink in the opening that was created in the previous steps. The entire weight of the sink should be supported by the support frame. Verify that the sink is in line and level with the top of the cabinet. Use shims, if needed, to level the sink.

Set the sink on top of the cabinet or into the cabinet front cutout. Apply sealant if necessary as a gasket between the sink and cabinet.

Carefully clean bottom of countertop and top flange of sink. Remove excess sealant from the lip or any surfaces with a recommended cleaner.



LIFETIME LIMITED WARRANTY ON MANUFACTURER DEFECTS

Eridanus Warrants to the original buyer of an Eridanus kitchen sink, that Eridanus will, at its options, replace or repair, without charge, such product or part(s) (or a comparable alternative product), if it fails under normal residential use due to a manufacturing defect for the lifetime of normal residential use.

The warranty is not transferable and is extended solely to the original buyer of the product. Eridanus recommends the installations be made by a licensed, professional plumber or installer, and will not be held responsible for any damage or product failure due to improper installation, misuse, or failure to use a licensed professional.

This Limited Warranty applies to sinks manufactured and sold by Eridanus solely.

This Limited Warranty shall begin on the date the products are purchased by original buyer.

This Limited Warranty shall not include any removal, installation or freight cost occurred.

This Limited Warranty does not apply to damage or malfunction caused by any of the following:

- (1) installation of the product not in compliance with manufacturer's installation instructions
- (2) failure to follow instruction recommendation
- (3) use of the product in a manner other than its intended use
- (4) improper maintenance for the product
- (5) misuse, abuse of the product
- (6) excessive use of chemicals, accident or other damages
- (6) commercial use

The invalidity, illegality or unenforceability of any one or more provisions of this Limited Warranty shall in no way affect or impair the validity, legality or enforceability of the remaining provisions, which shall remain in full force and effect.
