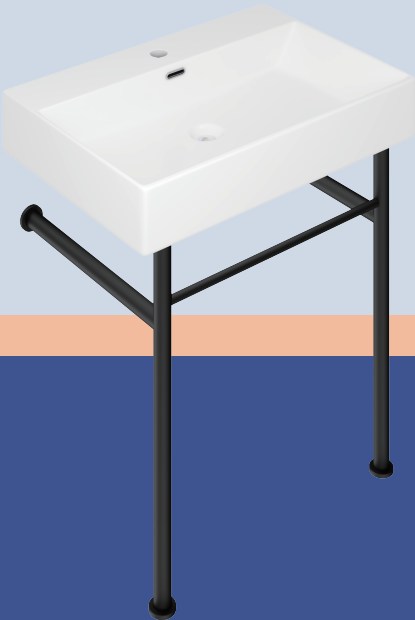


Installation Guide

CONSOLE BATHROOM SINK



Tools and Materials



Safety Glasses



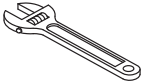
Measuring Tape



Drill



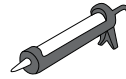
Pencil



Wrench



Level



Silicone Caulk

Parts List: (1)Sink (2)Console (3)Mounting Hardware

Before You Begin



Read the following instructions carefully before you begin this installation:

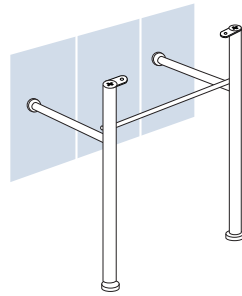
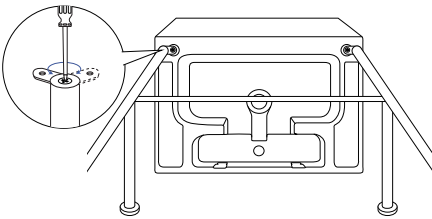
- Observe all local plumbing and building codes.
- Shut off the hot and cold water supplies. Inspect the drain and supply tubing. Replace it if necessary.
- Unpack the new sink and inspect it for damage. Afterward, put the sink back to its protective carton until the installation begins.
- In consideration of various installations possible with this sink, procedures other than those described in these instructions may be used.
- It's recommended to provide the actual sink to all contractors involved in the project. It's critical that all contractors maintain communication and coordinate the requirements of the project.
- It is recommended that the sink installation be performed by professional and experienced installers. For the sake of safety and a damage-free installation, the sink should be installed by at least two people.
- All information in these instructions is based on the latest product information available at the time of publication. Eridanus reserves the right to make revisions to the design of products without notice.

Installation Steps



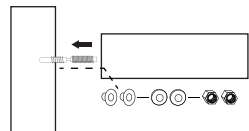
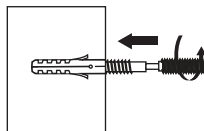
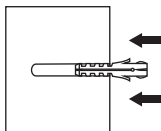
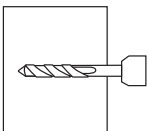
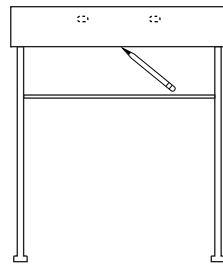
Step I. Assemble Console

- Assemble the support legs, then loosen the screws on the top of each leg and rotate the brackets to make them aligned with the mounting holes on the sink bottom. After necessary adjustments are made, tighten the screws.
- Place the assembled console against the wall. Use a level to make sure that they are vertically plumb and horizontally level.



Step II. Install Sink

- Place the sink on the support legs and against the wall. Ensure that it is level and aligned correctly.
- Check the back of the sink for pre-drilled holes for wall mounting. Use a pencil to mark the location of the mounting points on the wall. Then put the sink and support legs away.
- Drill two pilot holes at the marked locations on the wall, then secure the anchors and fixing bolts in place.



d. Place the sink in position against the wall and secure it with sleeves, washers and nuts respectively.

CAUTION DO NOT over-tighten, as this may cause damage to the ceramic sink.

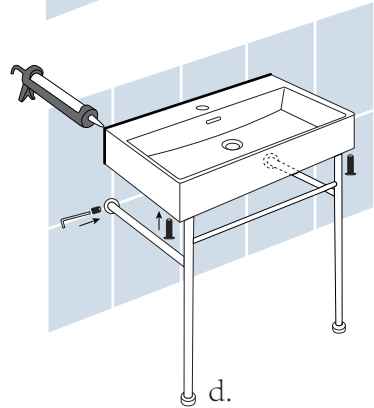
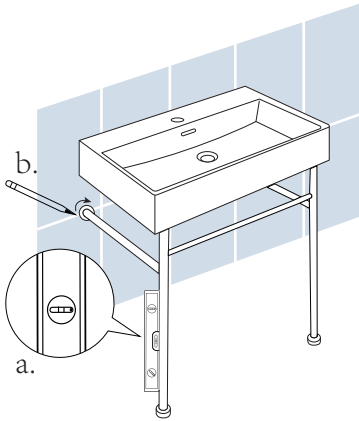
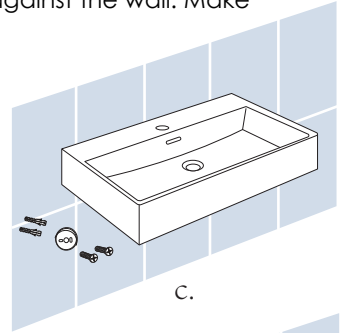
Step III. Install Console

a. Place the support legs underneath the sink and against the wall. Make adjustments to ensure that the sink is level.

b. Mark the position where the legs are secured on the wall.

c. Drill pilot holes and screw in the anchors and gaskets.

d. Secure the legs to the wall and sink.



Step IV. Apply Caulk

Apply silicone caulk around the edges of the sink where it meets the wall to prevent water from seeping behind the sink. Wait for 24 hours for it to dry.

Step V. Install Plumbing Fixtures

Attach the drain assembly and faucet to the sink according to the manufacturer's instructions. Run water to check for leaks.

A vitreous china bathroom sink is a popular and durable choice for many homeowners. Eridanus vitreous china bathroom sinks are meticulously handcrafted with fine materials and have undergone strict quality inspections. With proper maintenance and care, Eridanus sinks will keep in new condition and function well for an extended period of time.

Do's



- ✓ **Cleaning the sink regularly:** Use a mild detergent or cleaning solution and a soft cloth or sponge to wipe down the sink. Avoid using abrasive cleaners or scrubbers as they can scratch the surface of the sink.
- ✓ **Remove stains promptly:** If you notice any stains on the sink, it's important to remove them promptly. Use a cleaning solution specifically designed to remove the type of stain you're dealing with. For example, use a rust remover for rust stains and a hard water stain remover for hard water stains.
- ✓ **Keep the sink dry:** After using the sink, make sure to wipe it dry with a clean towel or cloth. Standing water can cause water spots and mineral buildup, which can be difficult to remove.
- ✓ **Use a drain strainer:** Use a drain strainer to prevent hair, soap, and other debris from clogging the drain. A clogged drain can lead to water damage and other problems.

Don'ts



- ✗ **Avoid using harsh chemicals:** Harsh chemicals such as bleach, ammonia, or acid-based cleaners can damage the surface of the sink. Avoid using these chemicals and opt for a mild cleaning solution instead.
- ✗ **Avoid placing heavy objects on the sink:** Vitreous china is a durable material, but it can still crack or chip if heavy objects are placed on it. Avoid placing heavy objects on the sink and use a separate surface for storing items such as hair dryers or curling irons.
- ✗ **Avoid hitting it with hard objects or dropping heavy items on it.**
- ✗ **Avoid direct contact with sharp and metallic objects.**



Soft Cloth



Mild Detergent



Plastic Scraper

By following these tips, you can keep your vitreous china bathroom sink in great condition for many years to come. Regular maintenance and care will help to prevent damage and keep the sink looking its best.

Installation Guide