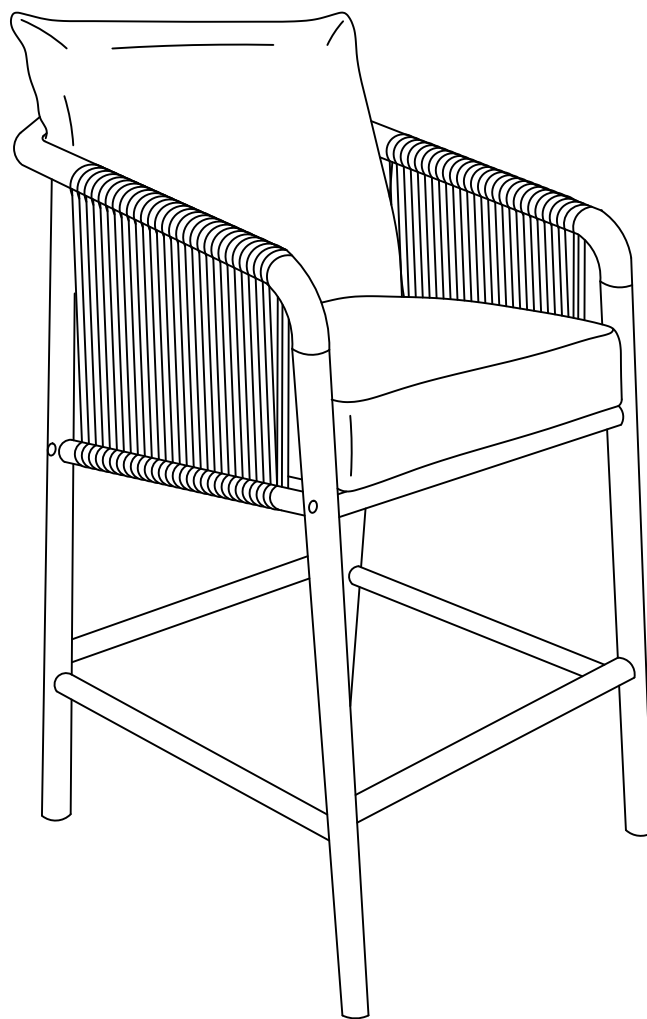


BS7025 Assembly Manual



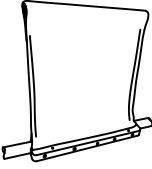





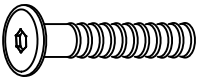
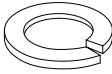
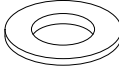

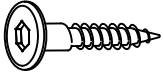

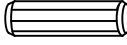

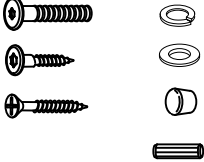
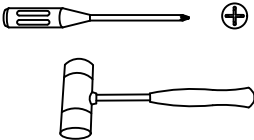
Bar Chair



 **CAUTION**

THIS ASSEMBLY MANUAL CONTAINS IMPORTANT SAFETY INFORMATION.

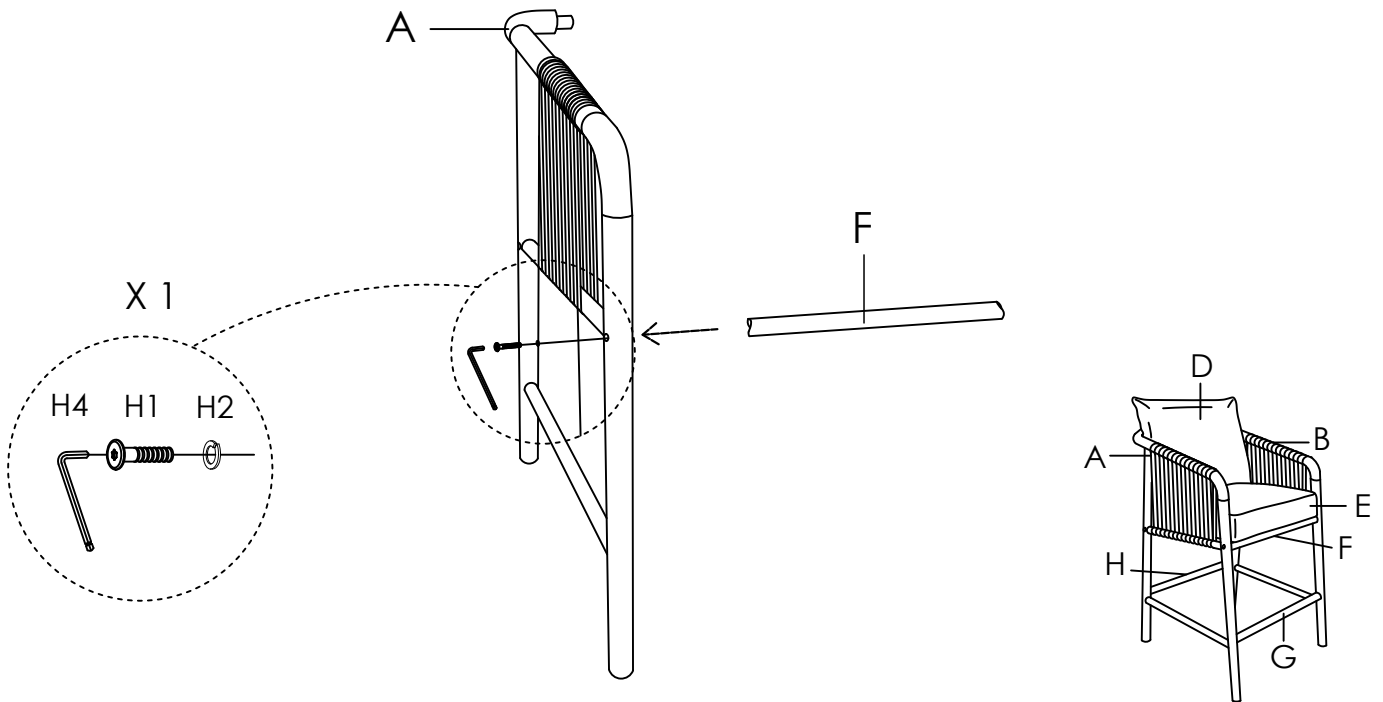
PLEASE READ AND KEEP FOR FUTURE REFERENCE.

<p>A x 1</p>  <p>Left Arm</p>	<p>B x 1</p>  <p>Right Arm</p>	<p>C x 1</p>  <p>Backrest</p>	<p>D x 1</p>  <p>Back Cushion</p>
<p>E x 1</p>  <p>Seat Cushion</p>	<p>F x 1</p>  <p>Front Rail</p>	<p>G x 1</p>  <p>Front Bottom Rail</p>	<p>H x 1</p>  <p>Back Bottom Rail</p>
<p>H1 x 8</p>  <p>Short Bolts M6 x 50mm</p>	<p>H2 x 4</p>  <p>Lock Washers 5/16"</p>	<p>H3 x 2</p>  <p>Flat Washers 1/4" x 19mm</p>	<p>H4 x 1</p>  <p>Allen Wrench M4 x 100mm</p>
<p>H5 x 2</p>  <p>Deep Head CSK Screw M5 x 25mm</p>	<p>H6 x 4</p>  <p>CSK Screw M4 x 38mm</p>	<p>H7 x 2</p>  <p>Wood Dowel M8 x 30mm</p>	<p>H8 x 4</p>  <p>Wooden Plugs</p>
<p>Extra Hardware</p> 	<p>Not Included</p> 		

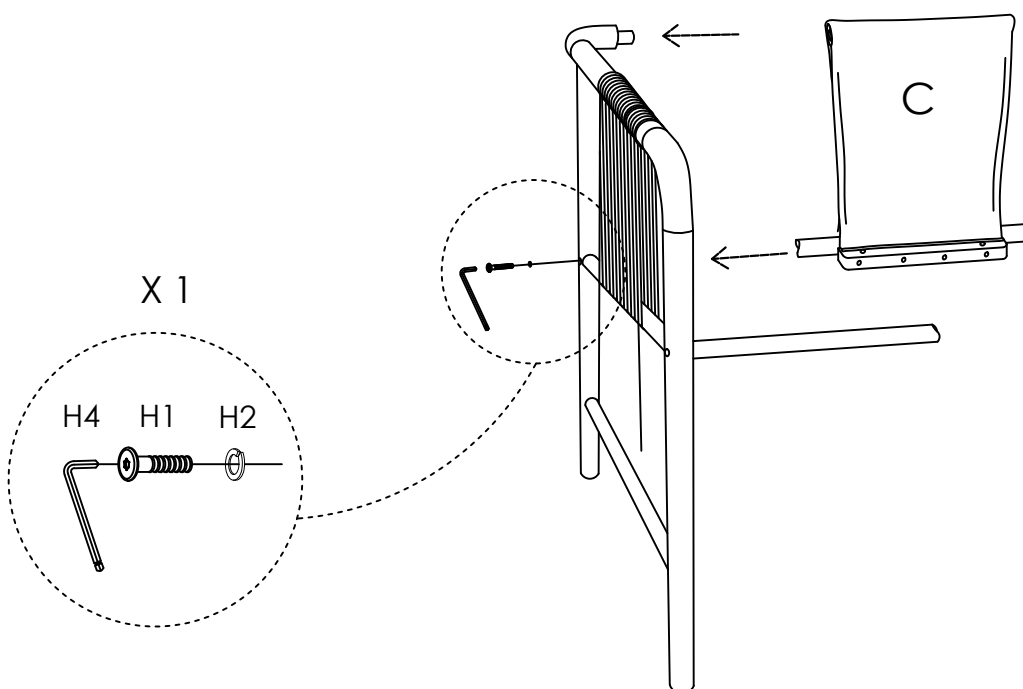
Before you begin:

1. Check if you have received all parts using the diagram on this page. Do not start the assembly process until all parts are present. If you have not received all parts or received wrong or damaged ones, please contact our customer service and we will get back to you.
2. Do not discard any of the packaging until you are certain that you have all the necessary parts for the assembly.
3. Do NOT use power tools for assembly.

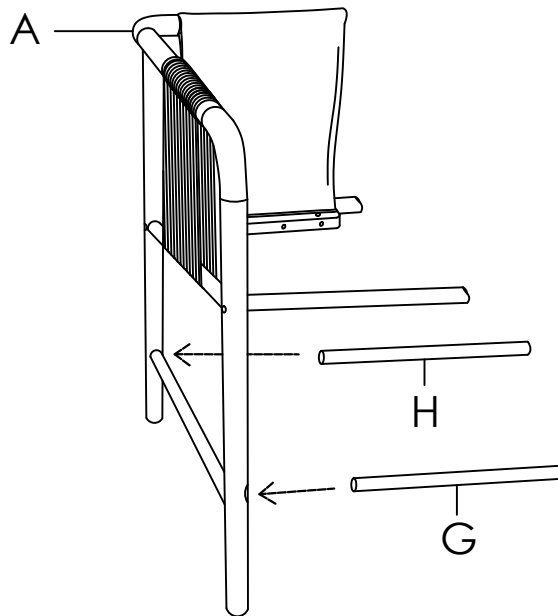
- 1 Attach the Front Rail (F) to the Left Arm (A), using Lock Washers (H2) , Short Bolts (H1) and Allen Wrench (H4). **Do not fully tighten yet.**



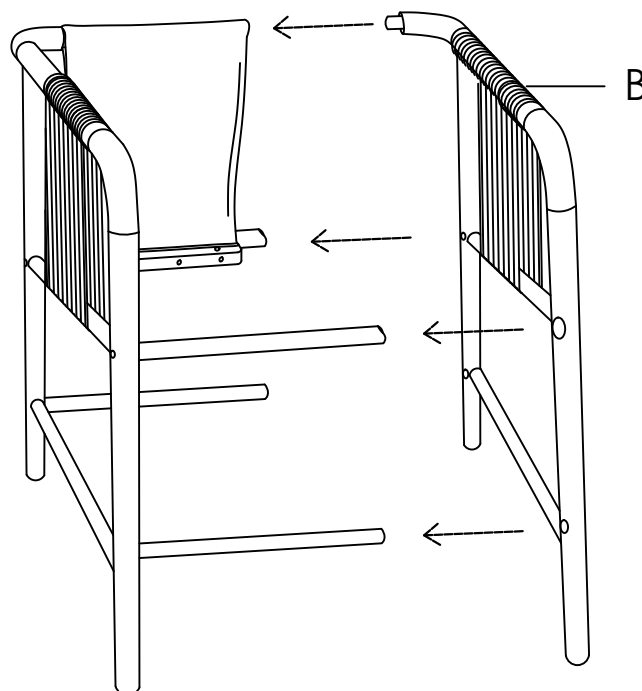
- 2 Assemble the Backrest (C) using Lock Washers (H2), Short Bolts (H1) and Allen Wrench (H4). **Do not fully tighten yet.**



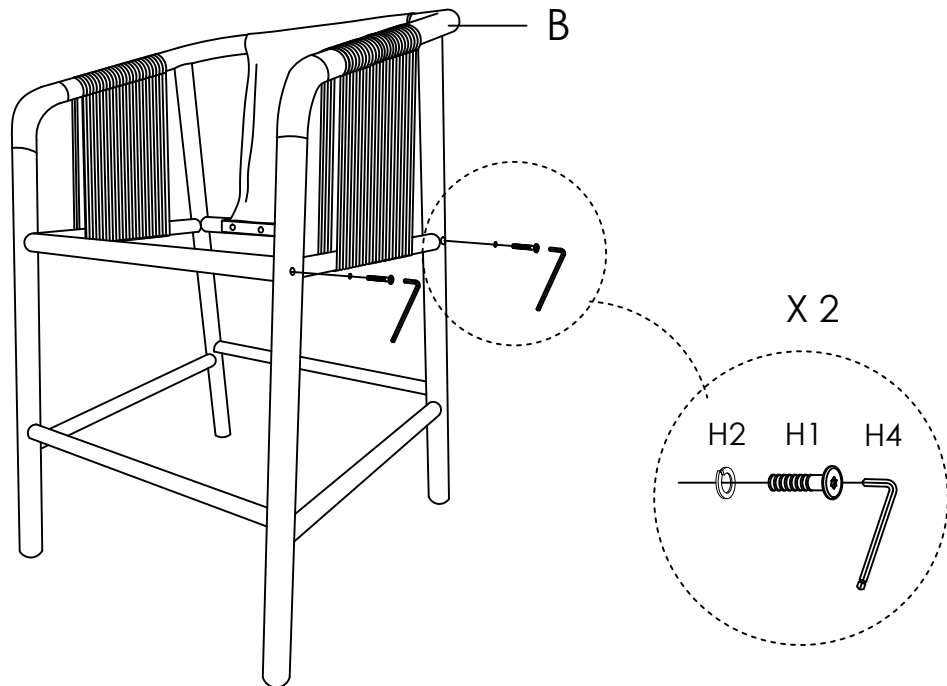
- 3** Insert the Front Bottom Rail (G) and Back Bottom Rail (H) to the Left Arm (A).
- Note : Do not install any screws yet.**



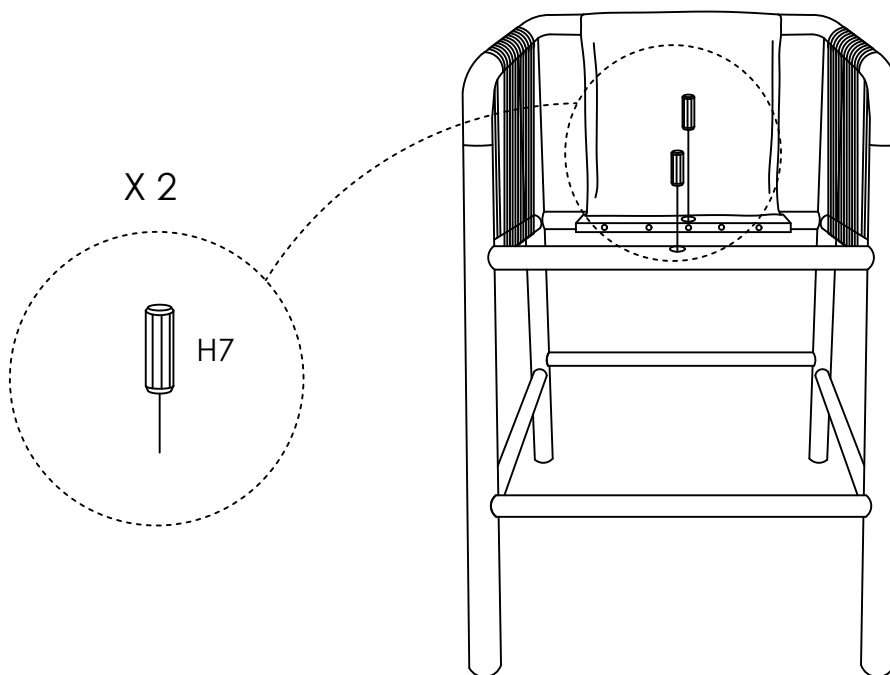
- 4** Insert the Right Arm (B) to the assembled frame in Step 3.



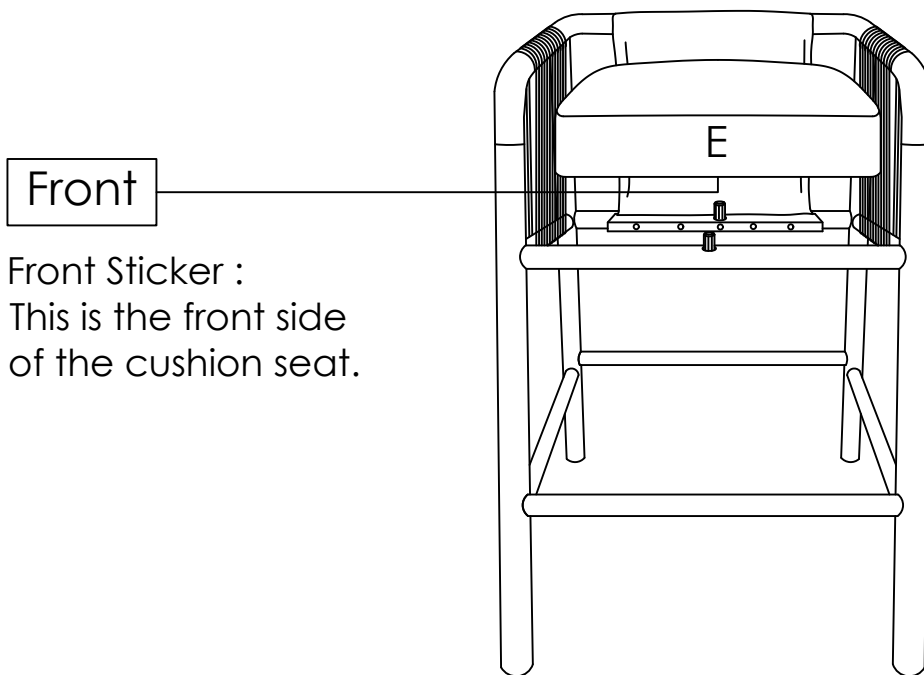
- 5** Assemble the Right Arm (B) in Step 4, using Locker Washers (H2), Short Bolts (H1) and Allen Wrench (H4). **Do not fully tighten yet.**



- 6** Insert the Wood Dowel (H7) to the Front Rail and Backrest.

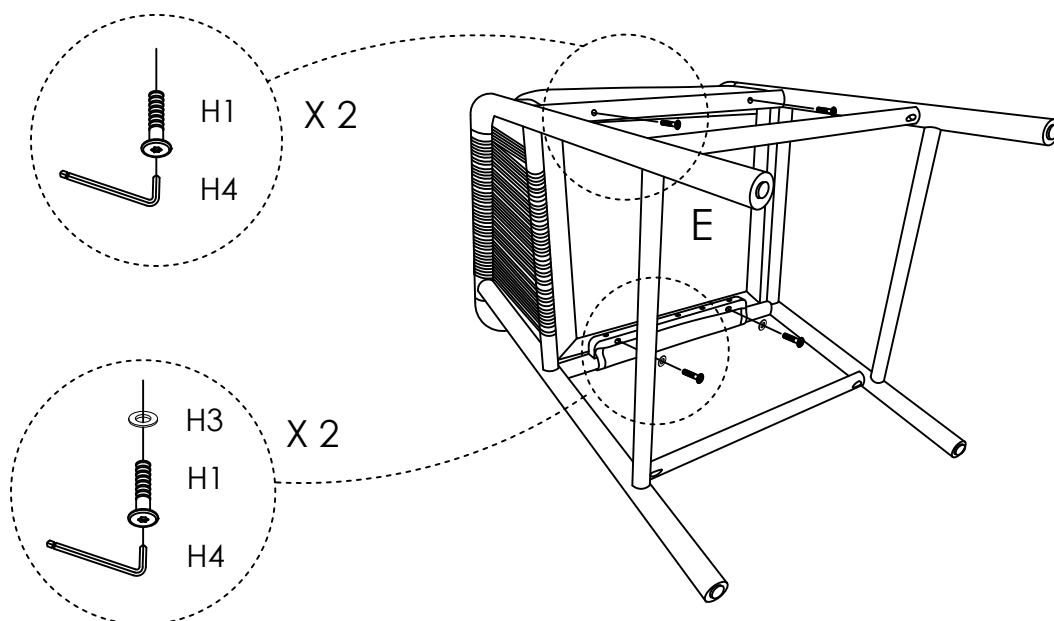


- 7** Attach the Seat Cushion (E).
Note: Please pay attention to the Front Sticker.

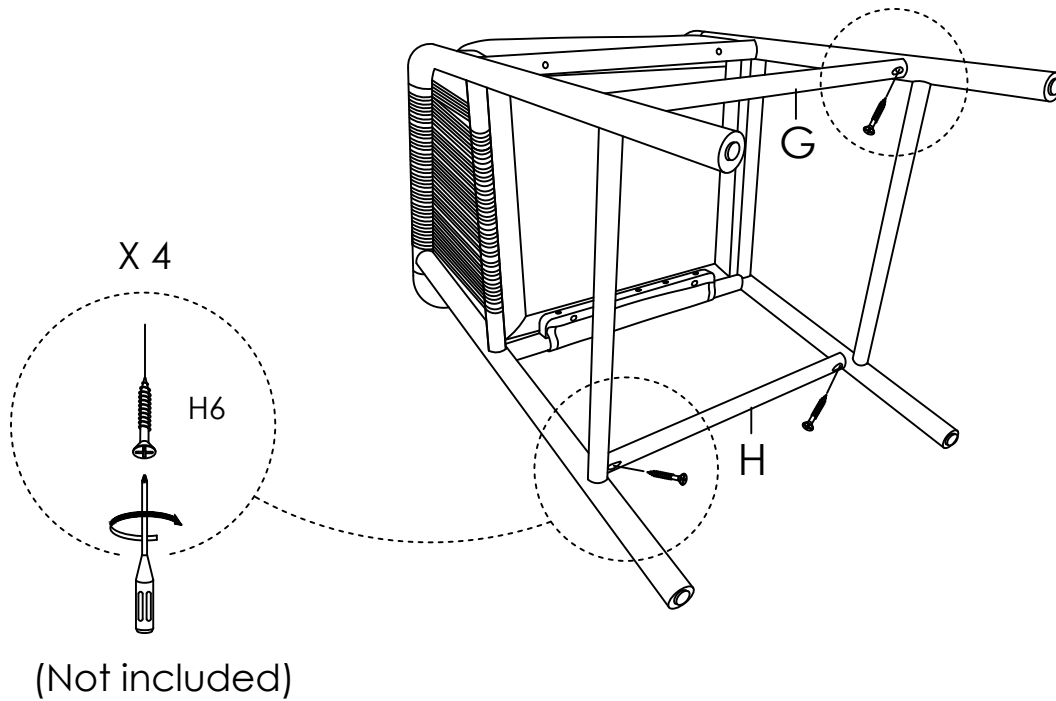


Front Sticker :
 This is the front side
 of the cushion seat.

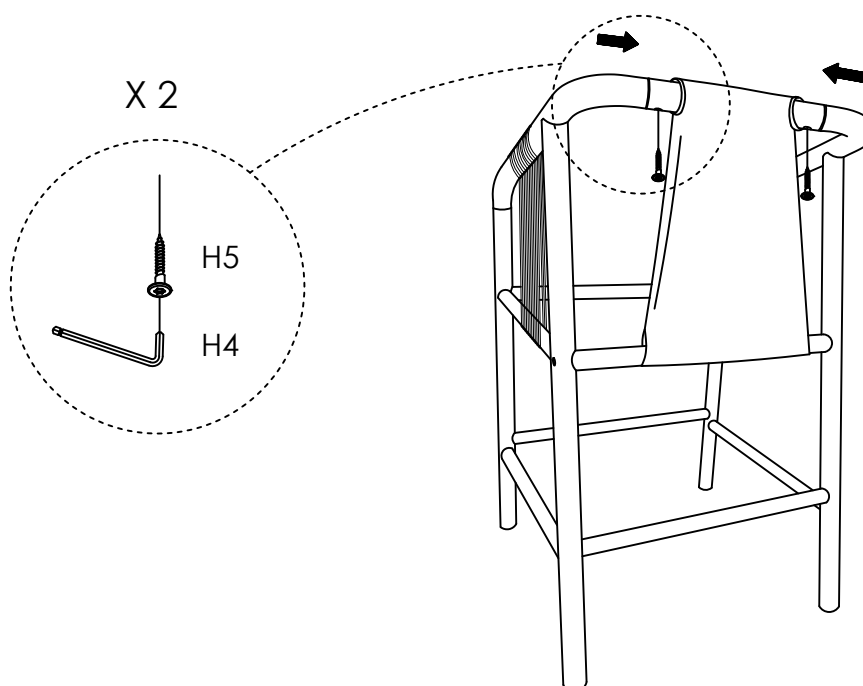
- 8** Move on to the holes from Seat Cushion (E). Assemble the Front Rail (F) with Seat Cushion (E), using Short Bolts (H1) and Allen Wrench (H4). Assemble the Backrest (C) with Seat Cushion (E), using Flat Washers (H3) , Short Bolts (H1) and Allen Wrench (H4). **Do not fully tighten yet.**



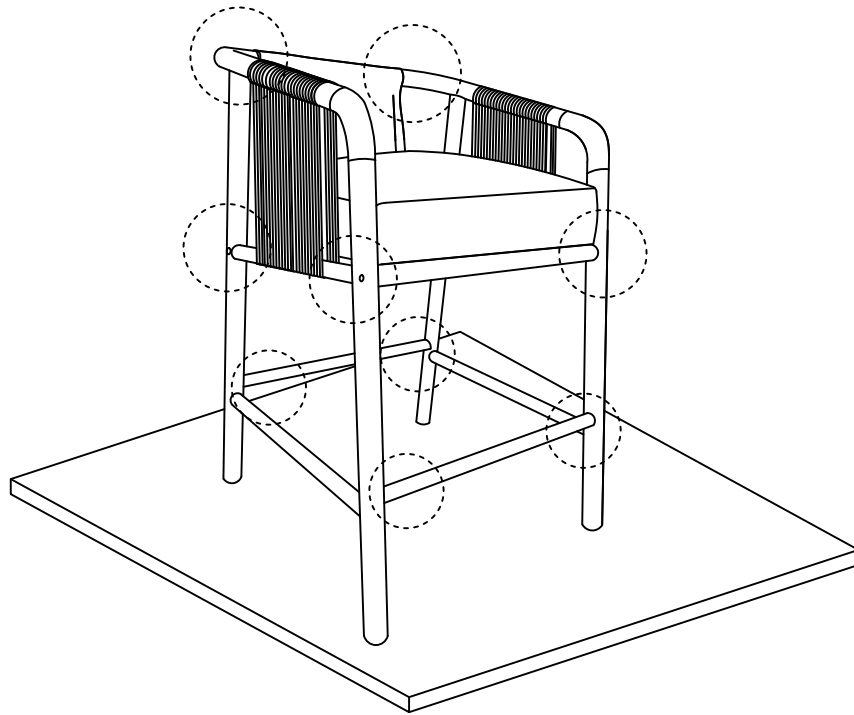
- 9 Assemble the Front Bottom Rails (G) and Back Bottom Rails (H) using CSK Screw (H6). **Do not fully tighten yet.**



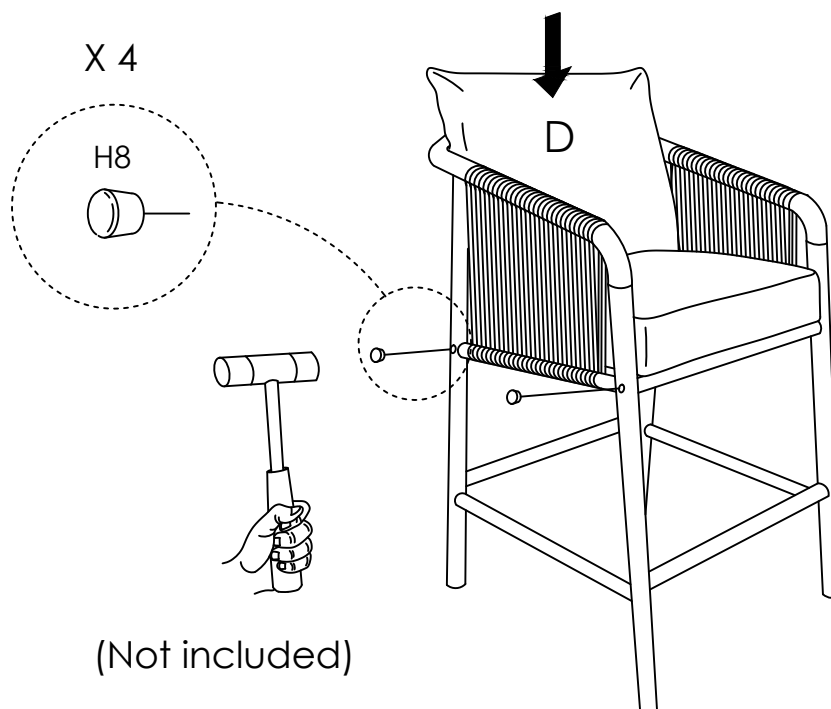
- 10 Push the Left Arm and Right Arm inward, and tighten with Deep Head CSK Screw (H5) and Allen Wrench (H4). **Do not fully tighten yet.**



- 11** Turn assembled chair upright and place on a flat surface. Push legs up or down as necessary to level.
Once level, tighten all bolts and screws.



- 12** Gently tap the Wooden Plugs (H8) into Left Arm and Right Arm. Put on the Back Cushion (D). Assembly complete.



- 13** Assembly complete.
Note: Each leg has an adjustable foot leveler to help level the chair.

