






ASSEMBLY INSTRUCTIONS

MODEL # : 3098-512 LATTE & LEATHER SLING CHAIR

MODEL # : 3098-513 LATTE & FABRIC SLING CHAIR

MODEL # : 3198-512 LEATHER SLING CHAIR - PEPPERCORN

**NOTE: KEEP THIS DOCUMENT FOR REFERENCE IN CASE PARTS ARE NEEDED
DO NOT TIGHTEN SCREWS UNTIL COMPLETELY ASSEMBLED! !
UNIT SHOULD BE ASSEMBLED BY TWO OR MORE PEOPLE.**

No	PARTS LIST		Q'TY
A		ARM CHAIR (LEFT)	1PC
B		ARM CHAIR (RIGHT)	1PC
C		TOP RAIL	1PC
D		BACK FRAME	1PC
E		SEAT	1PC

No	HARDWARE LIST			Q'TY
1		ALLEN BOLT	Ø5/16"x 3"	8PCS
2		ALLEN BOLT	Ø1/4"x 1-3/4"	7PCS
3		LOCK WASHER	Ø5/16" x 13D x 2mm	8PCS
4		LOCK WASHER	Ø1/4" x 10D x 2mm	7PCS
5		FLAT WASHER	Ø5/16" x 19D x 1.5mm	8PCS
6		FLAT WASHER	Ø1/4" x 16D x 1.5mm	5PCS
7		CURVED WASHER	Ø1/4" x 25 x 8mm	2PCS
8		ALLEN KEY	2-1/4" x 4mm	1PC

ASSEMBLY INSTRUCTIONS

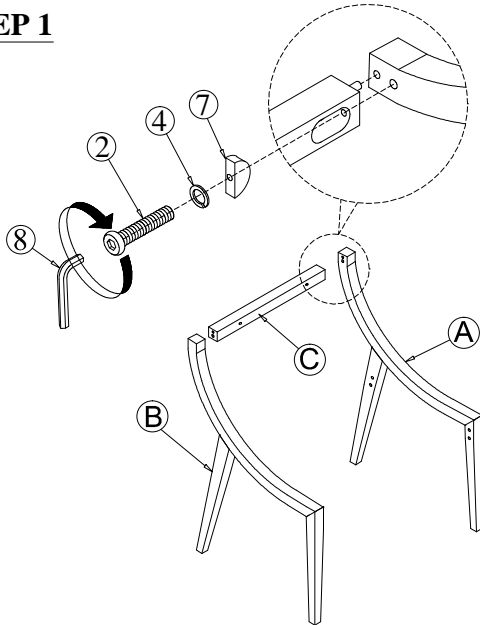
MODEL # : 3098-512 LATTE & LEATHER SLING CHAIR

MODEL # : 3098-513 LATTE & FABRIC SLING CHAIR

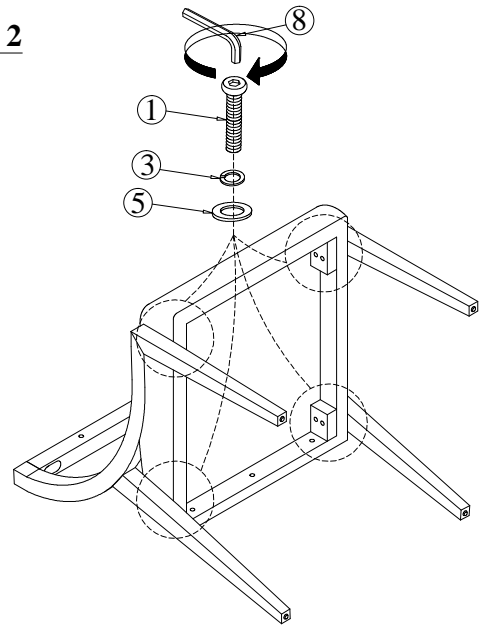
MODEL # : 3198-512 LEATHER SLING CHAIR - PEPPERCORN

**NOTE: KEEP THIS DOCUMENT FOR REFERENCE IN CASE PARTS ARE NEEDED
DO NOT TIGHTEN SCREWS UNTIL COMPLETELY ASSEMBLED! !
UNIT SHOULD BE ASSEMBLED BY TWO OR MORE PEOPLE.**

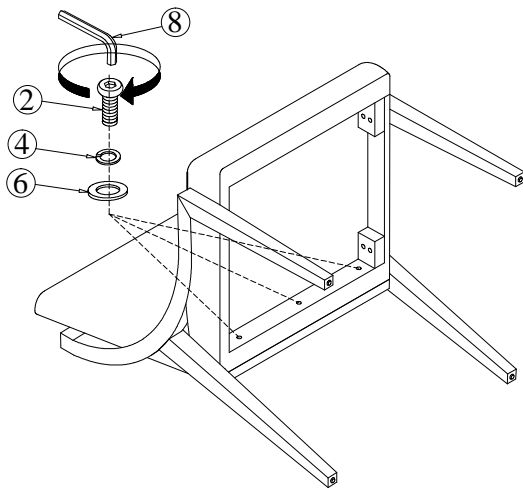
STEP 1



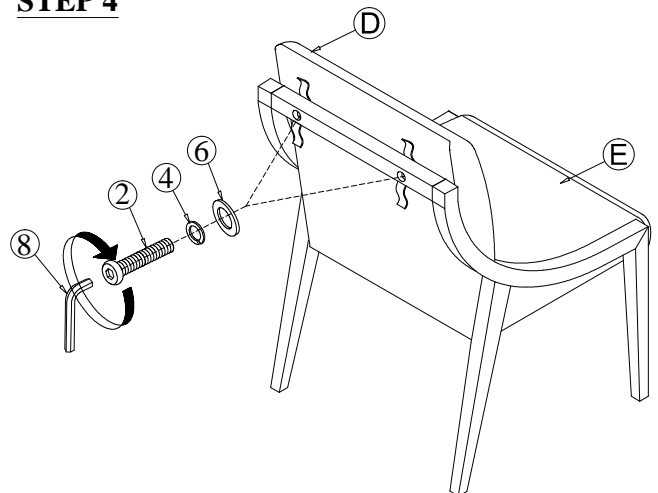
STEP 2



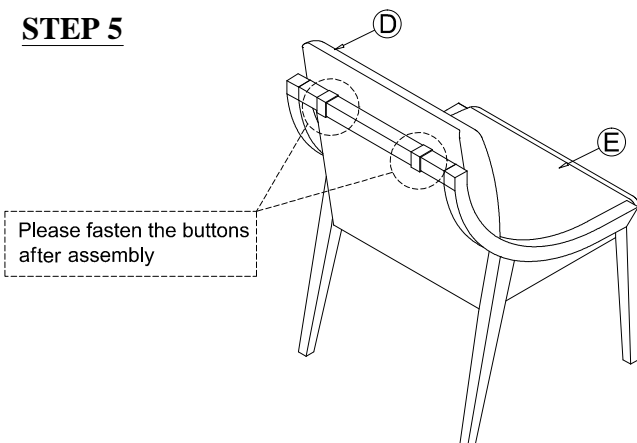
STEP 3



STEP 4



STEP 5



COMPLETED

