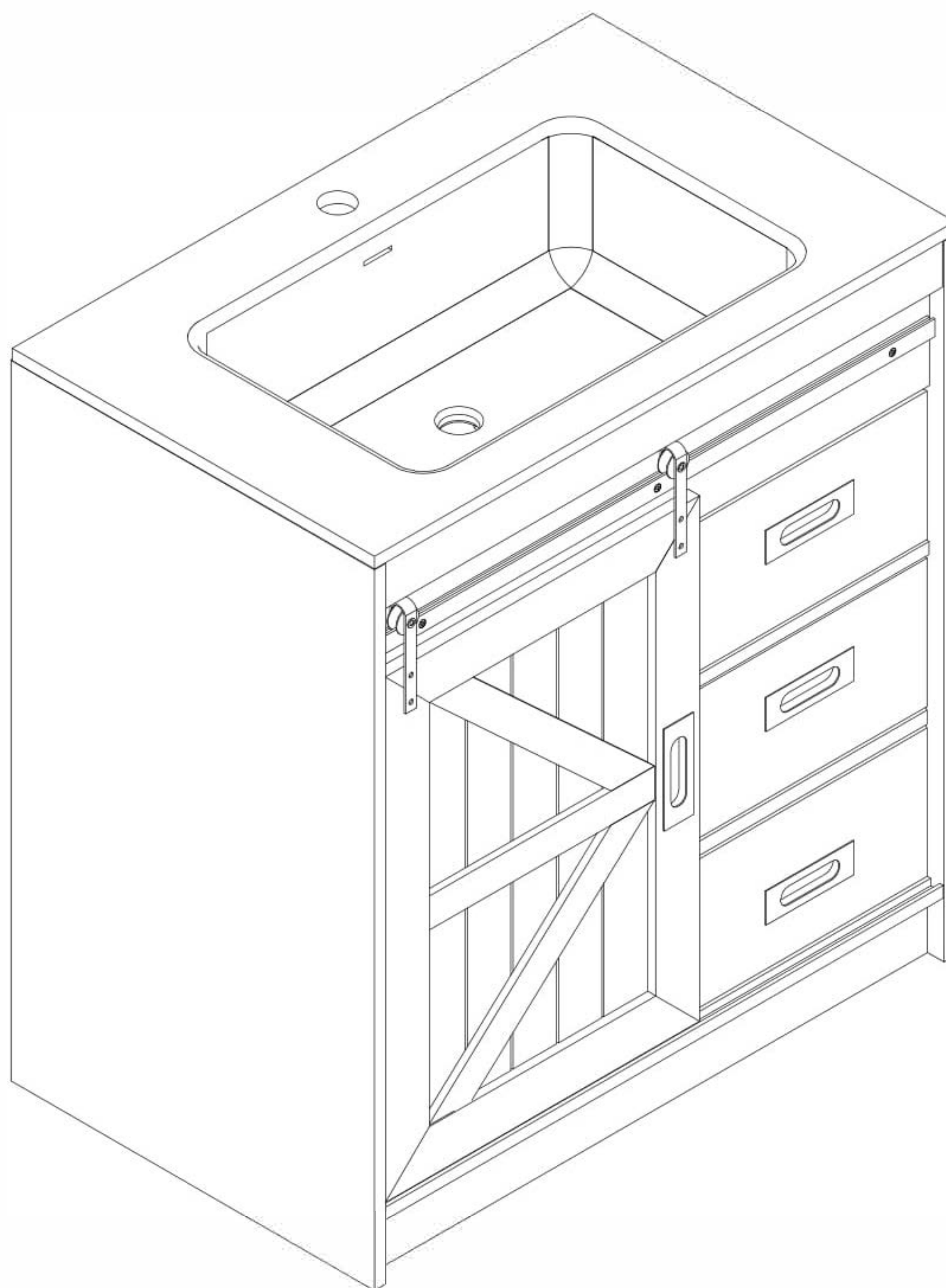


31in Bathroom Vanity



Dimensions

Width - 31.1inch
Depth - 19.5inch
Height - 33.5inch

Important – Please read these instructions fully before starting assembly



Safety and Care Advice

Important – Please read these instructions fully before starting assembly

- Check you have all the components and tools listed on the following pages.
- Remove all fittings from the plastic bags and separate them into their groups.
- Keep children and animals away from the work area, small parts could choke if swallowed.
- Make sure you have enough space to layout the parts before starting.

- During assembly do not stand or put weight on the product, this could cause damage.
- Assemble the item as close (room) as possible.
- Assemble on a soft level surface to avoid damaging the unit or your floor.
- Parts of the assembly will be easier with 2 people.



power drill is set on a low torque setting.

- To reduce the likelihood of damaging your product please ensure that your

Care and maintenance

- Only clean using a damp cloth and mild detergent, do not use bleach or abrasive cleaners.
- From time to time check that there are no loose screws on this unit.
- This product should not be discarded with household waste. Take to your local authority waste disposal centre.

Handy Hints

- Assemble all parts and bolts loosely during assembly, only once the product is complete should you fully tighten the bolts
- Regularly check and ensure that all bolts and fittings are tightened properly.

WARNING

In order to help prevent overturning – please follow these instructions

To help prevent product toppling over please follow the below steps:-

Use the anti tip strap or wall fixing method provided (if applicable)

Do not allow children to climb or hang on the furniture

Do not open more than one drawer at a time

Do not place heavy items in the top drawers


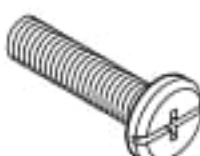
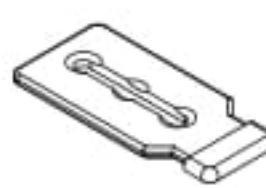


Do not place heavy items on top of the furniture, unless the furniture has been designed for this purpose

You will need to provide wall plugs and screws applicable for your wall type

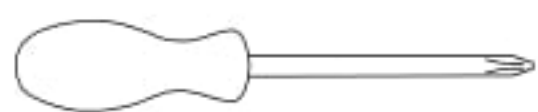
Components - Fittings

Please check you have all the fittings listed below

Note: The quantities below are the correct amount to complete the assembly. in some cases more fittings may be supplied than are required.

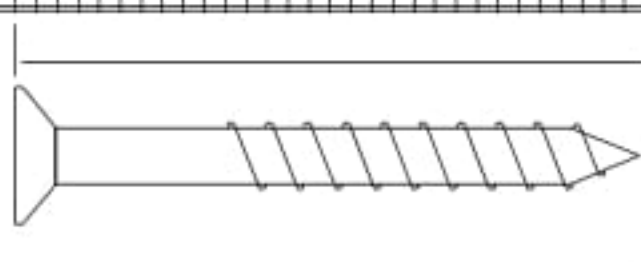
A  Cam Bolt x 30	B  Cam Lock x 30	C  Wooden Dowel x 18
D  3*12mm Screw x 24	E  4*50mm Screw x 5	F  3.5*12mm Screw x 6
G  6*21mm Bolt x 3	H  4*32mm Screw x 8	I  Wall Fixing Pack x 2
J  Protective Foot x 4	K  Sliders x 2	L  Pulley x 2
M  Drawer slide x 2	O  L shape bracket x 1	P  6*12mm Bolt x 4
Q  Flat Washers x 4	R  Door Bumper x 4	

Tools required



Phillips screwdriver
(medium & large)

Ruler - Use this ruler to help correctly identify the screws

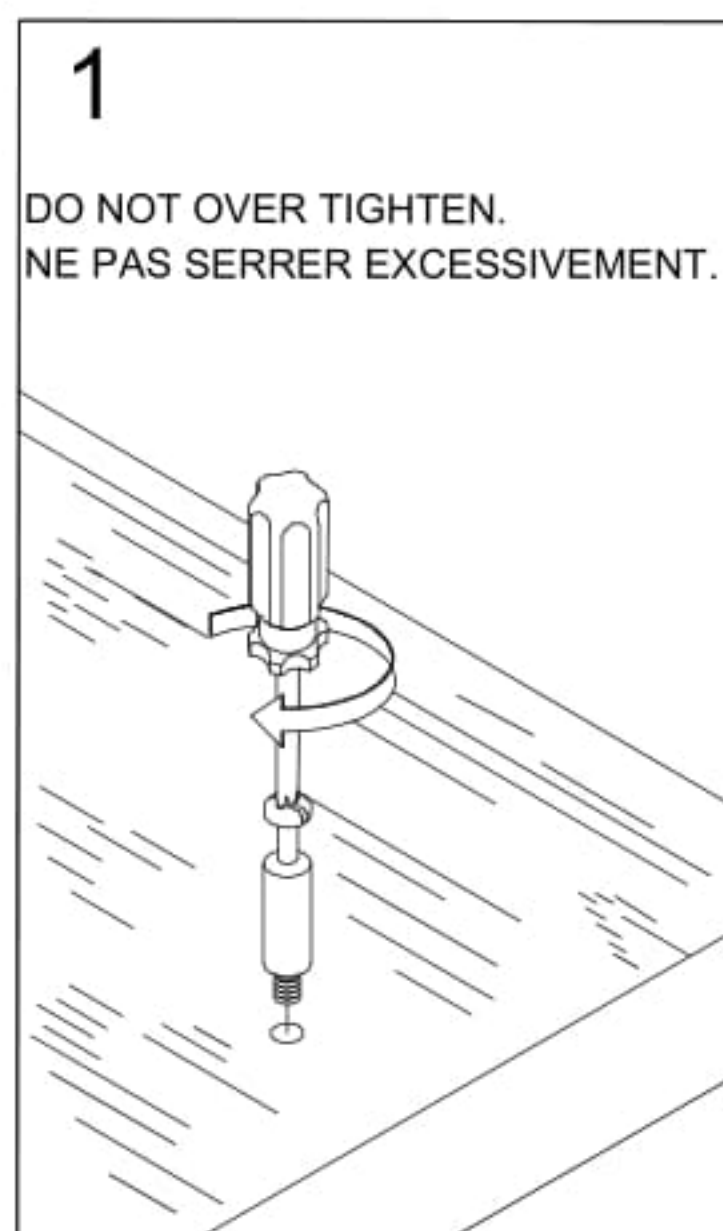


The screws length is measured from the head to the point (30mm screw shown).

Using camlocks

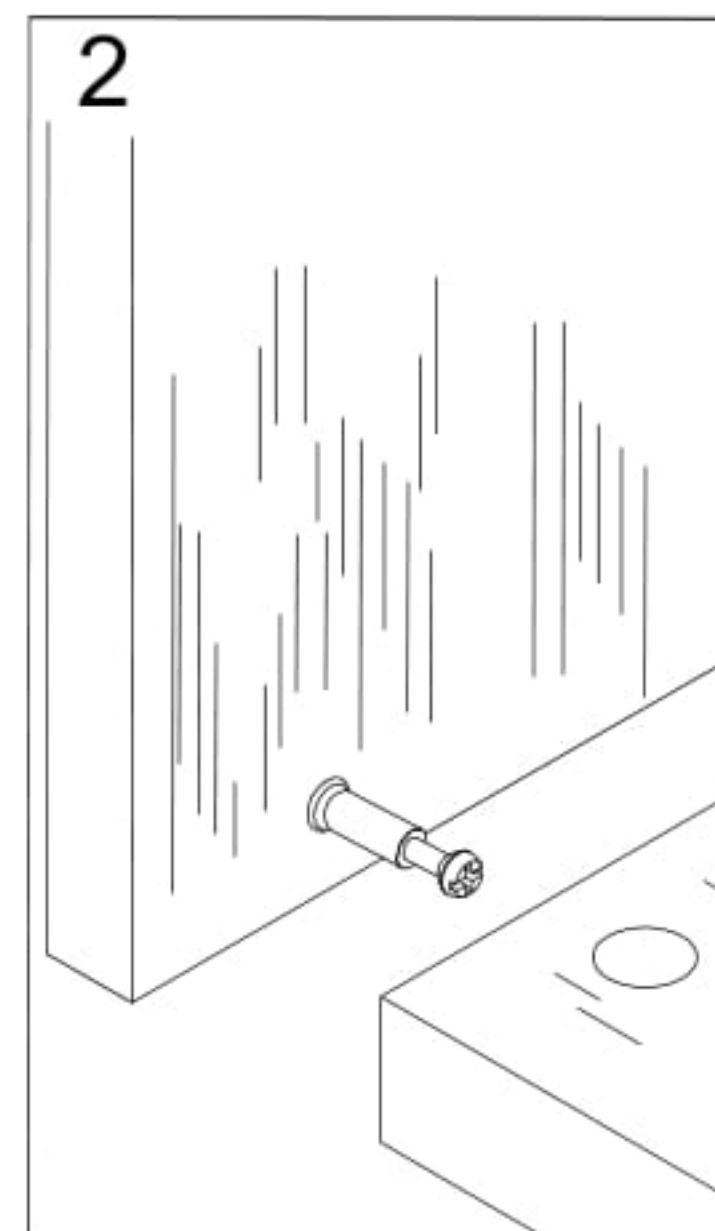
Step 1

Connect the male camlock as directed in the assembly instructions using a screwdriver.



Step 2

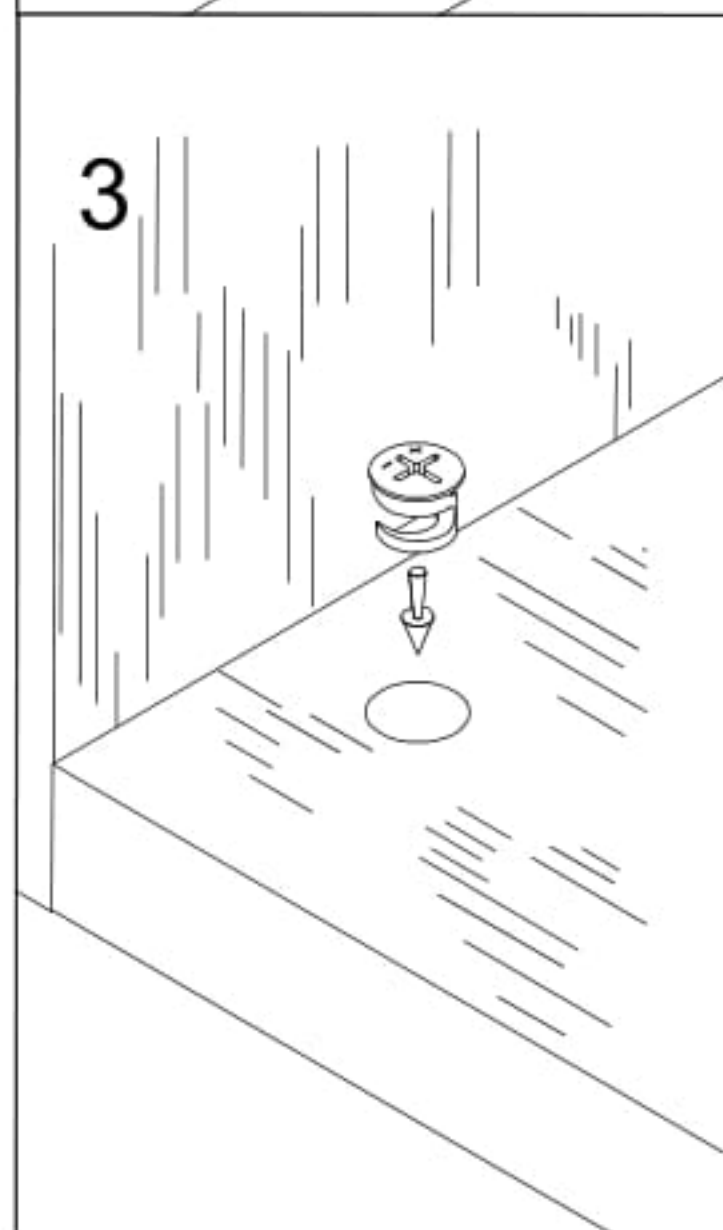
Push the male camlock into the entry hole.



Step 3

Insert the female camlock as shown in the instructions.

Note: ensure that the arrow on the top of the camlock points towards the entry hole for the male camlock.

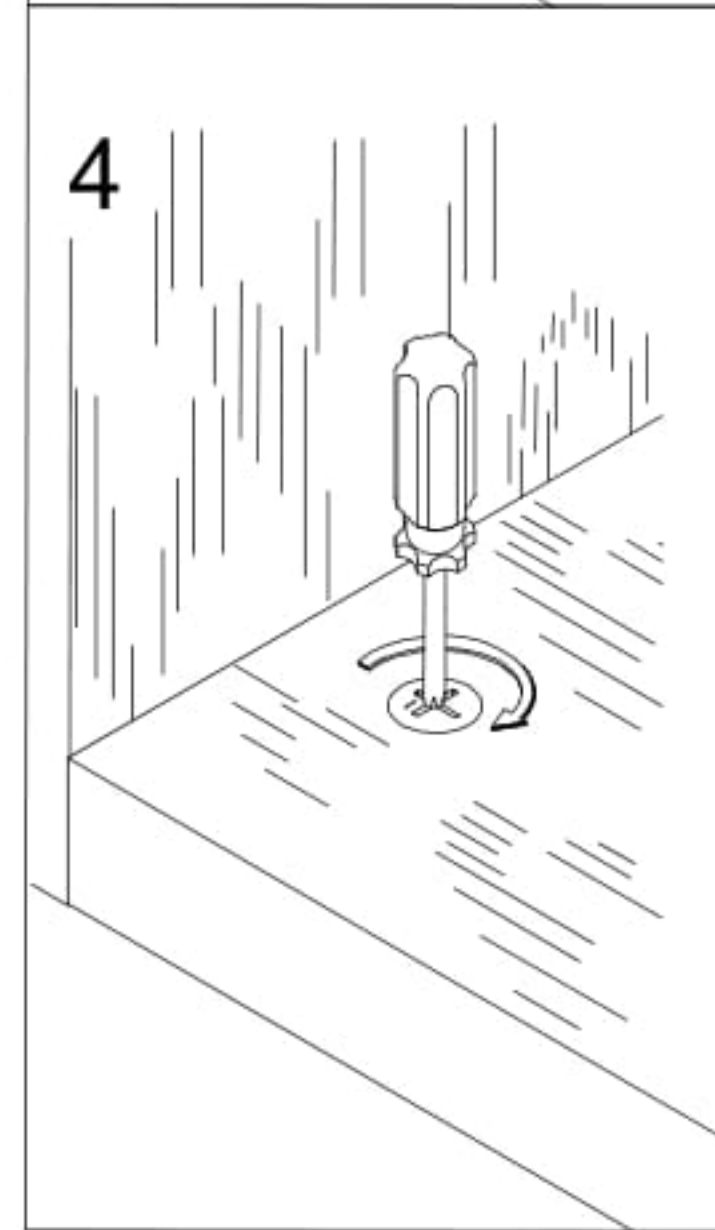


Step 4

Turn the female camlock clockwise with a screwdriver.

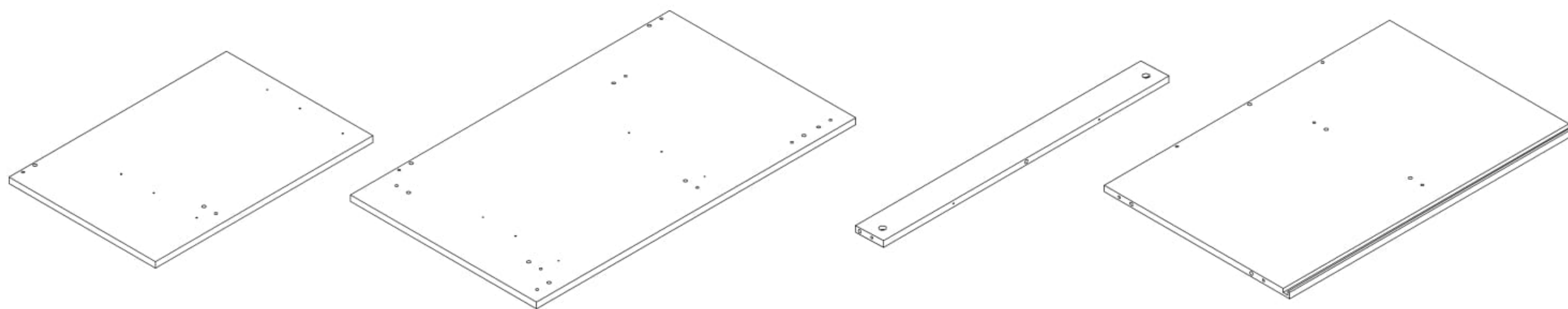
You should feel a click when the camlock is locked in place.

The joint is now secure.



Components - Panels

Please check you have all the panels listed below

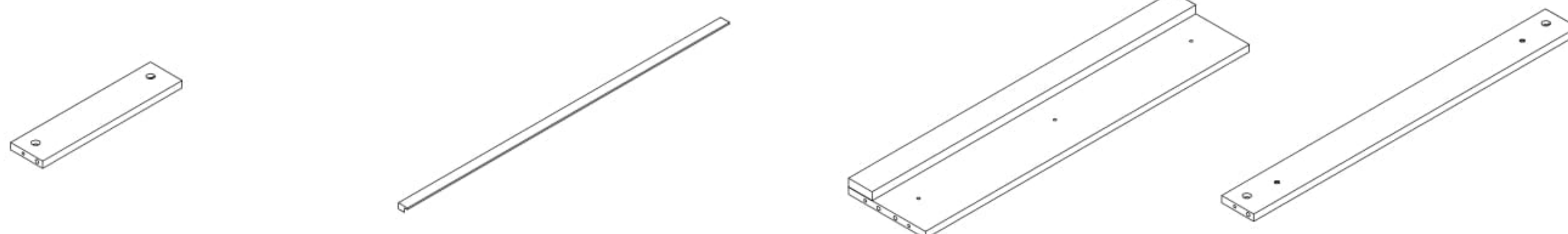


1 (39 x 57.6 x 1.4cm) x1

2 (49.5 x 85.5 x 1.4cm) x1

3 (7.5 x 76 x 1.4cm) x1

4 (49.4 x 76 x 1.4cm) x1

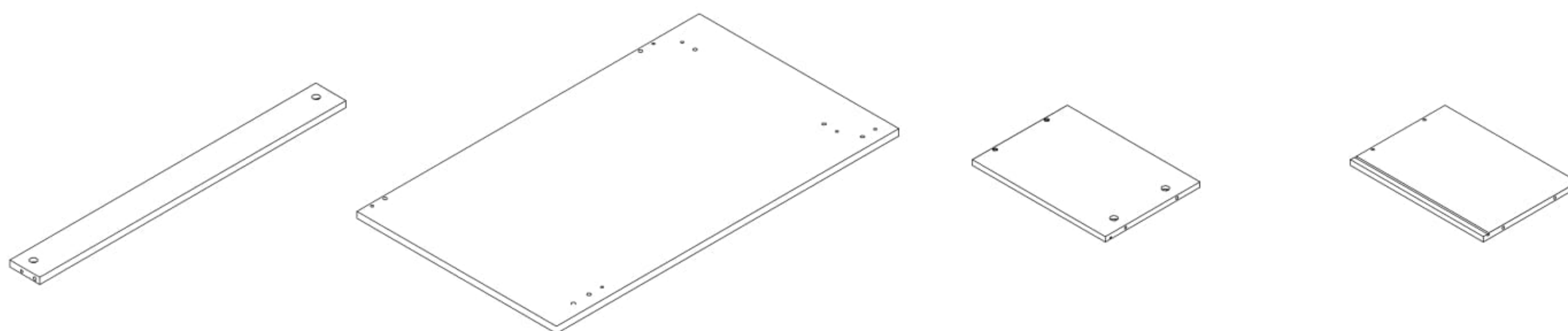


5 (7.5 x 32.7 x 1.4cm) x2

6 (75.8 x 2 x 1.6cm) x1

7 (18 x 76 x 3.1cm) x1

8 (7.5 x 76 x 1.4cm) x1

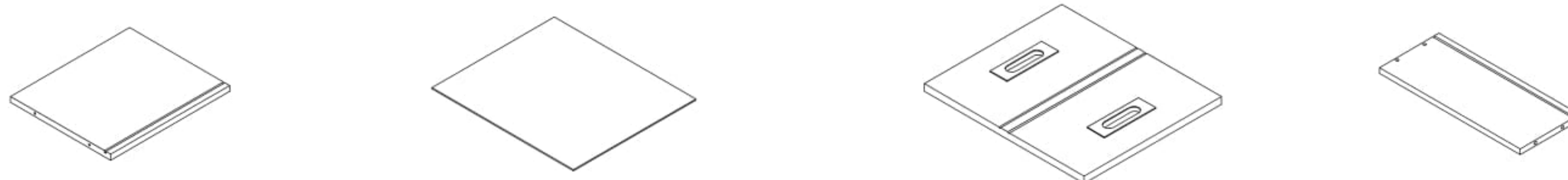


9 (8.5 x 76 x 1.4cm) x1

10 (49.5 x 85.5 x 1.4cm) x1

11 (23.5 x 33 x 1.2cm) x1

12 (23.5 x 3.3 x 1.2cm) x1



13 (23.5 x 27.7 x 1.2cm) x1

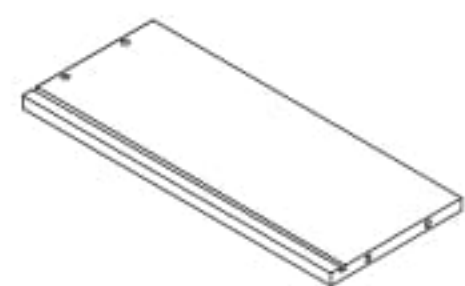
14 (28.5 x 32.5 x 1.2cm) x2

15 (37.4 x 32.1 x 1.4cm) x1

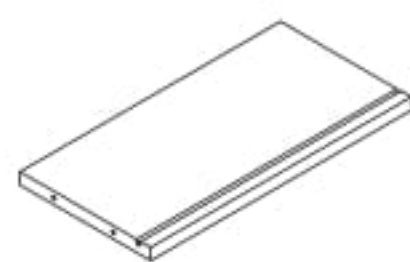
16 (14 x 33 x 1.2cm) x1

Components - Panels

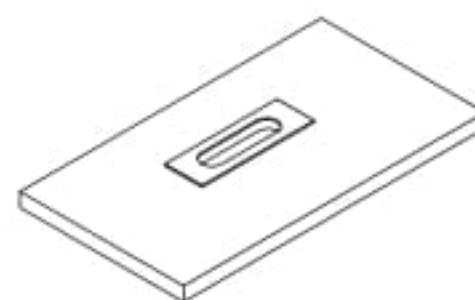
Please check you have all the panels listed below



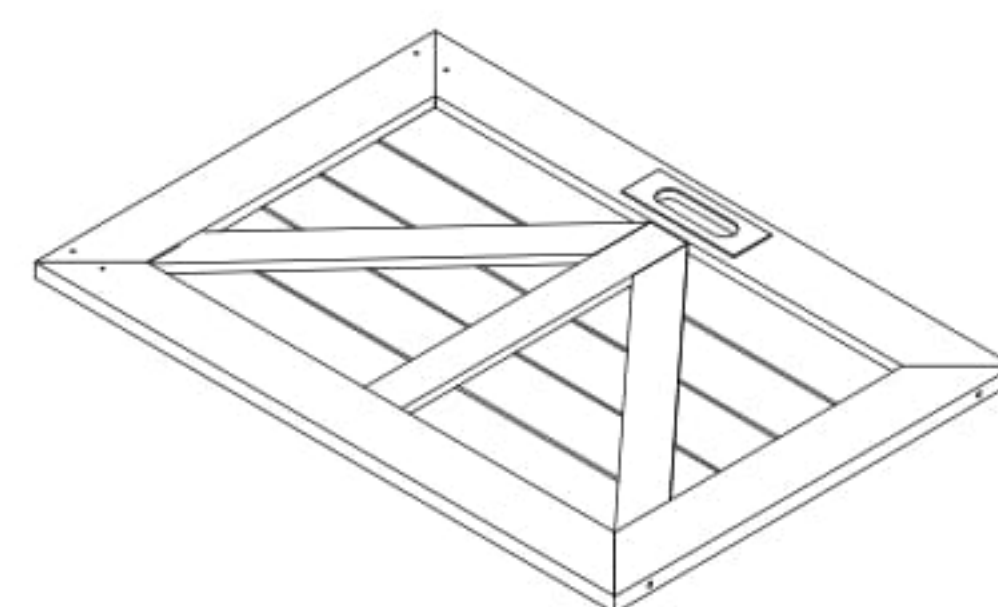
17 (14 x 33 x 1.2cm) x1



18 (14 x 27.7 x 1.2cm) x1

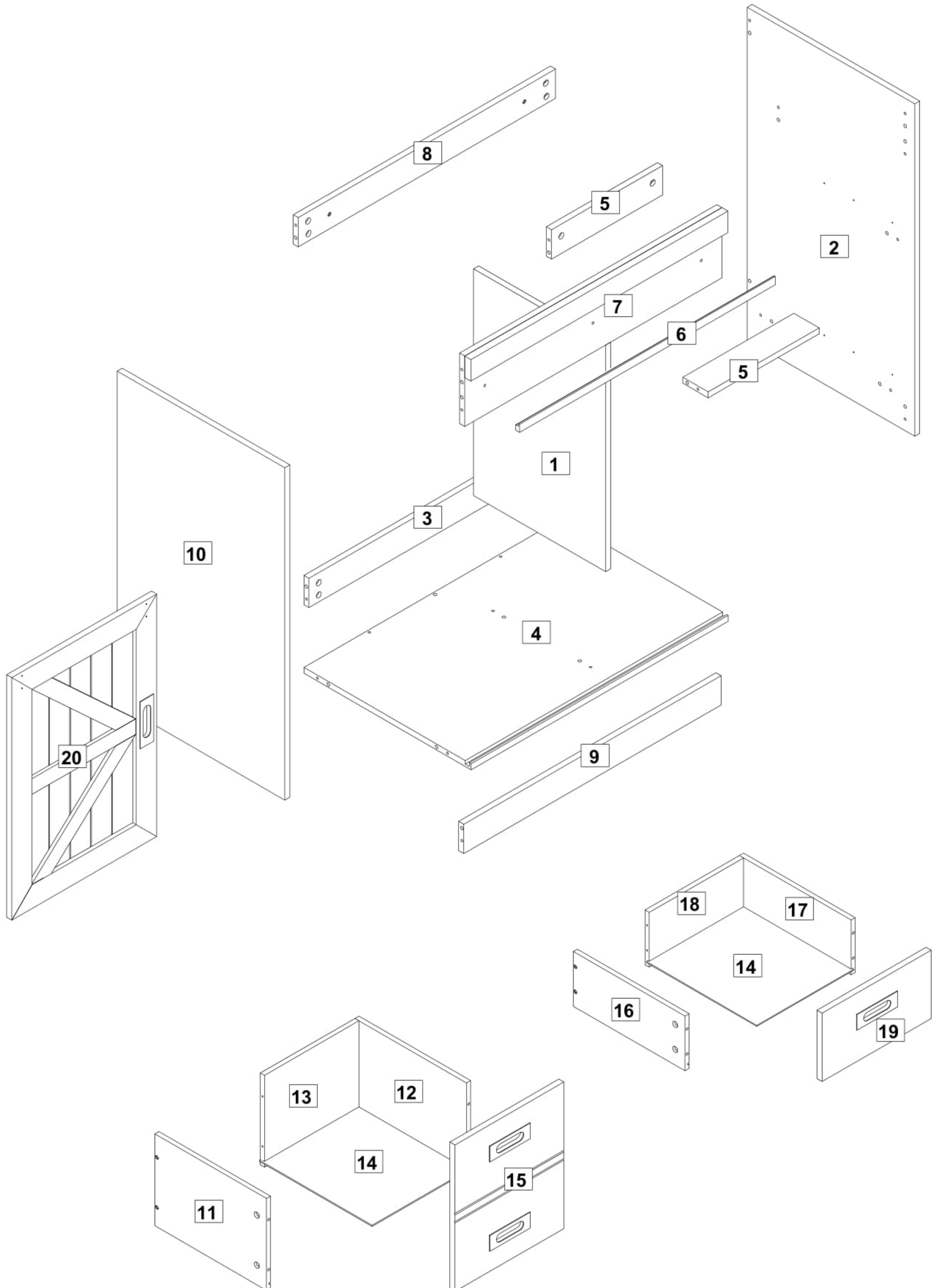


19 (17.5 x 32.1 x 1.4cm) x1



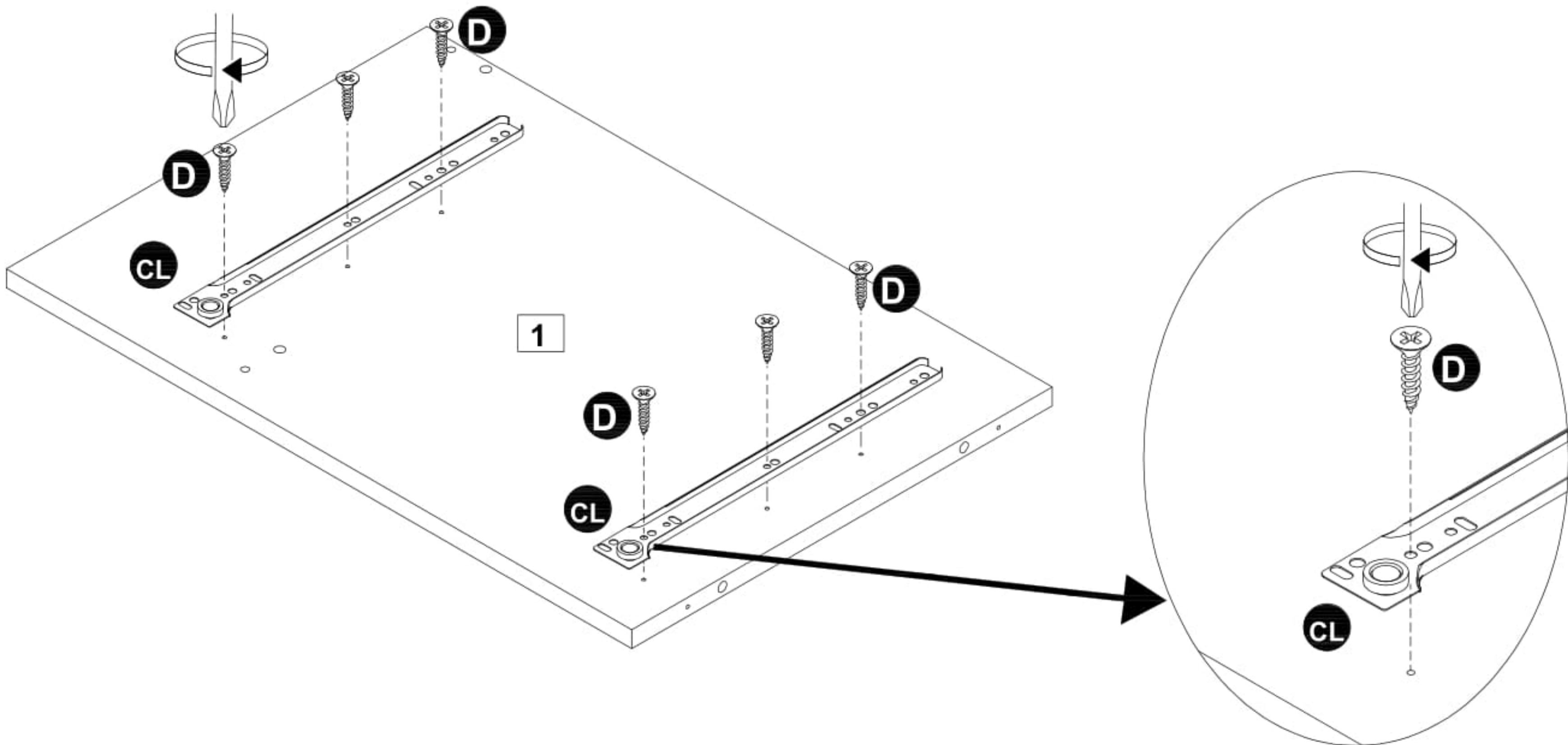
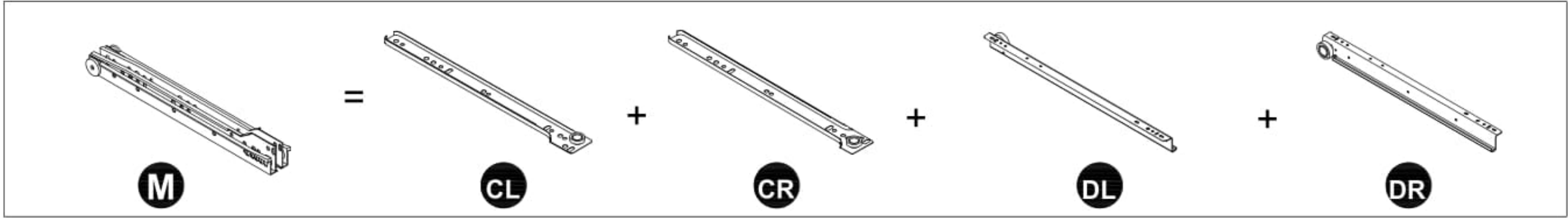
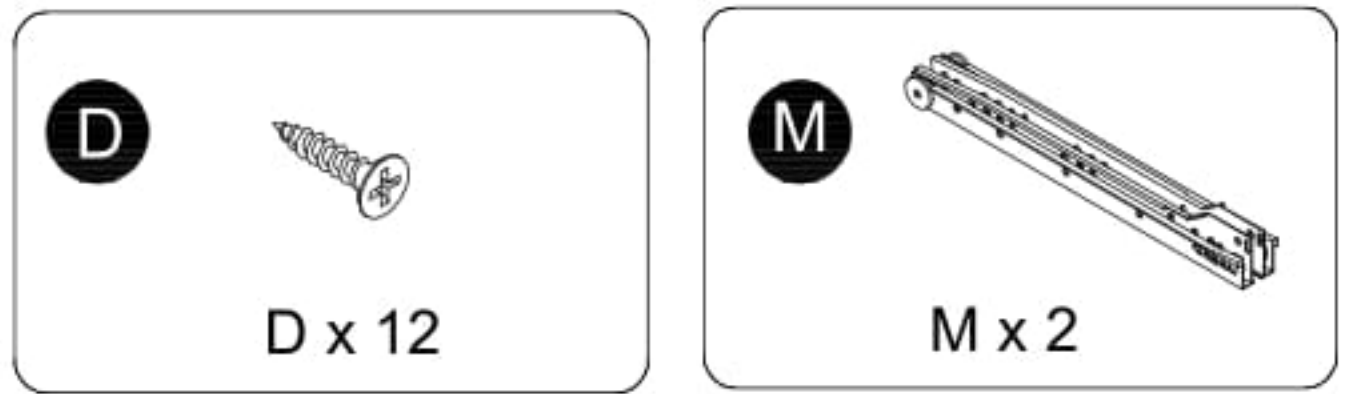
20 (43 x 63 x 1.4cm) x1

Assembly Instructions

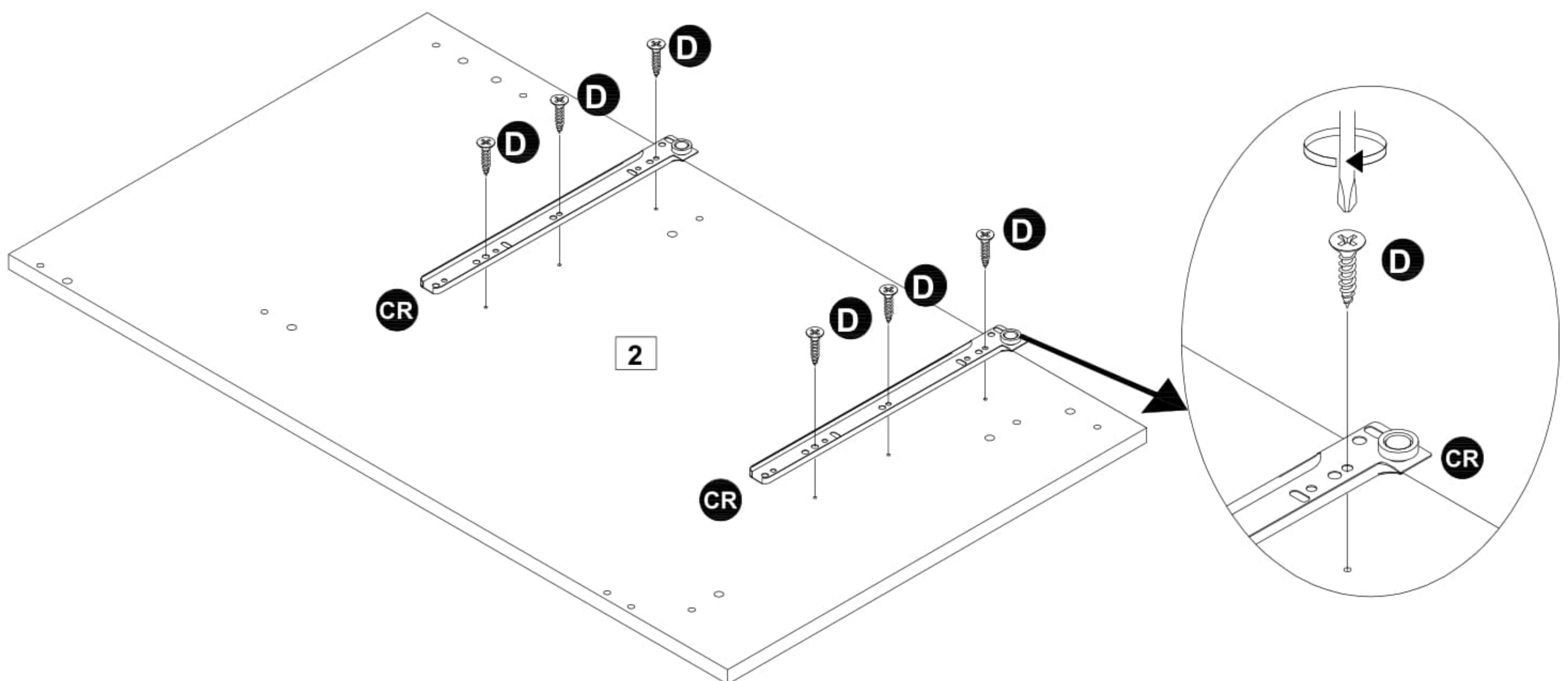


Assembly Instructions

Step 1



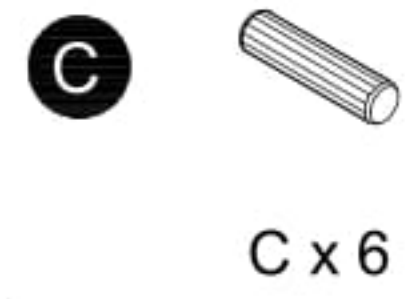
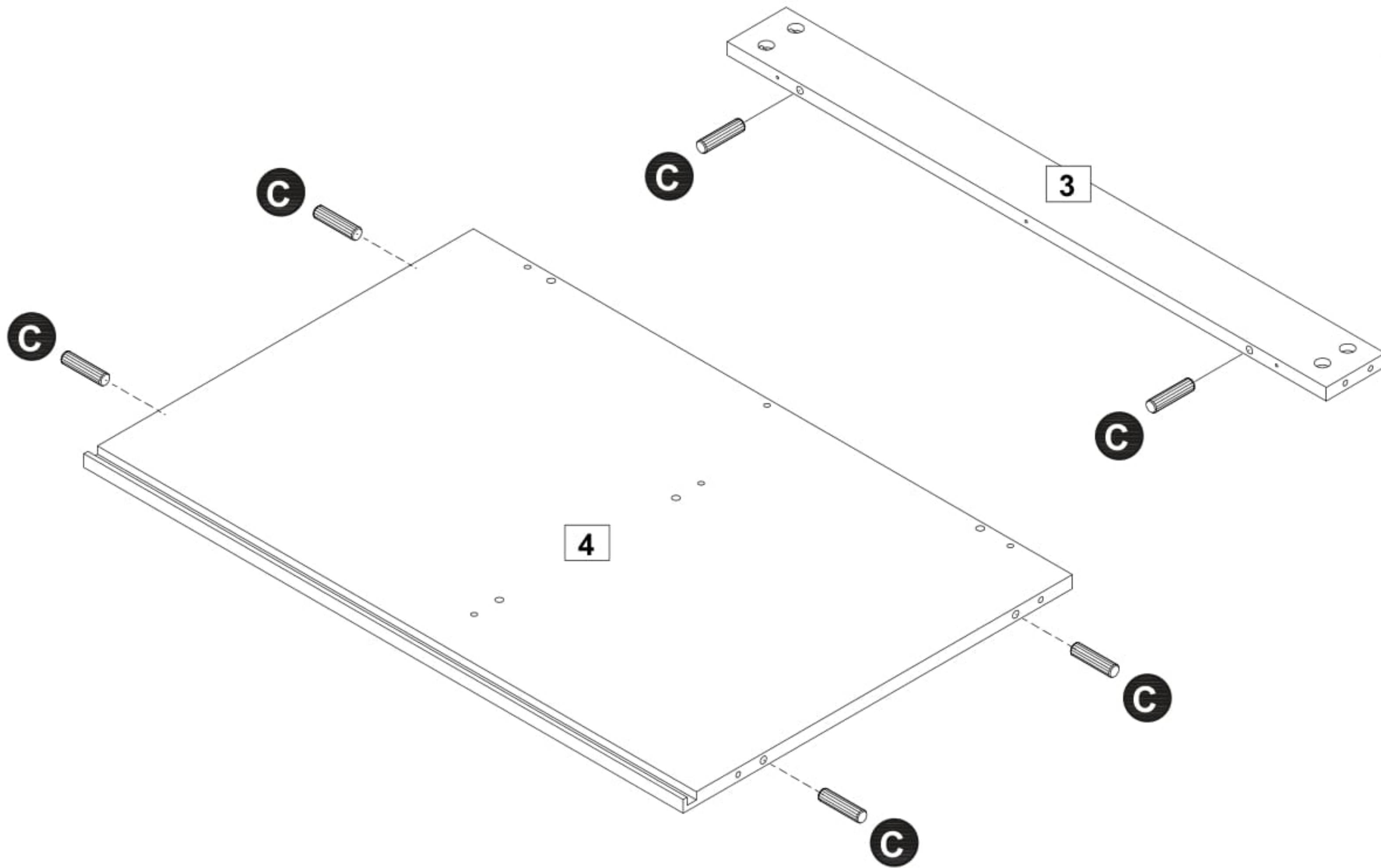
Use screw (D) to secure slide track (CL) to part (1) with a screwdriver.



Use screw (D) to secure slide track (CR) to part (2) with a screwdriver.

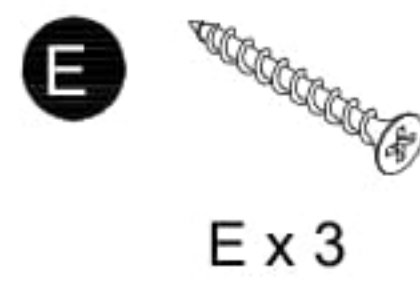
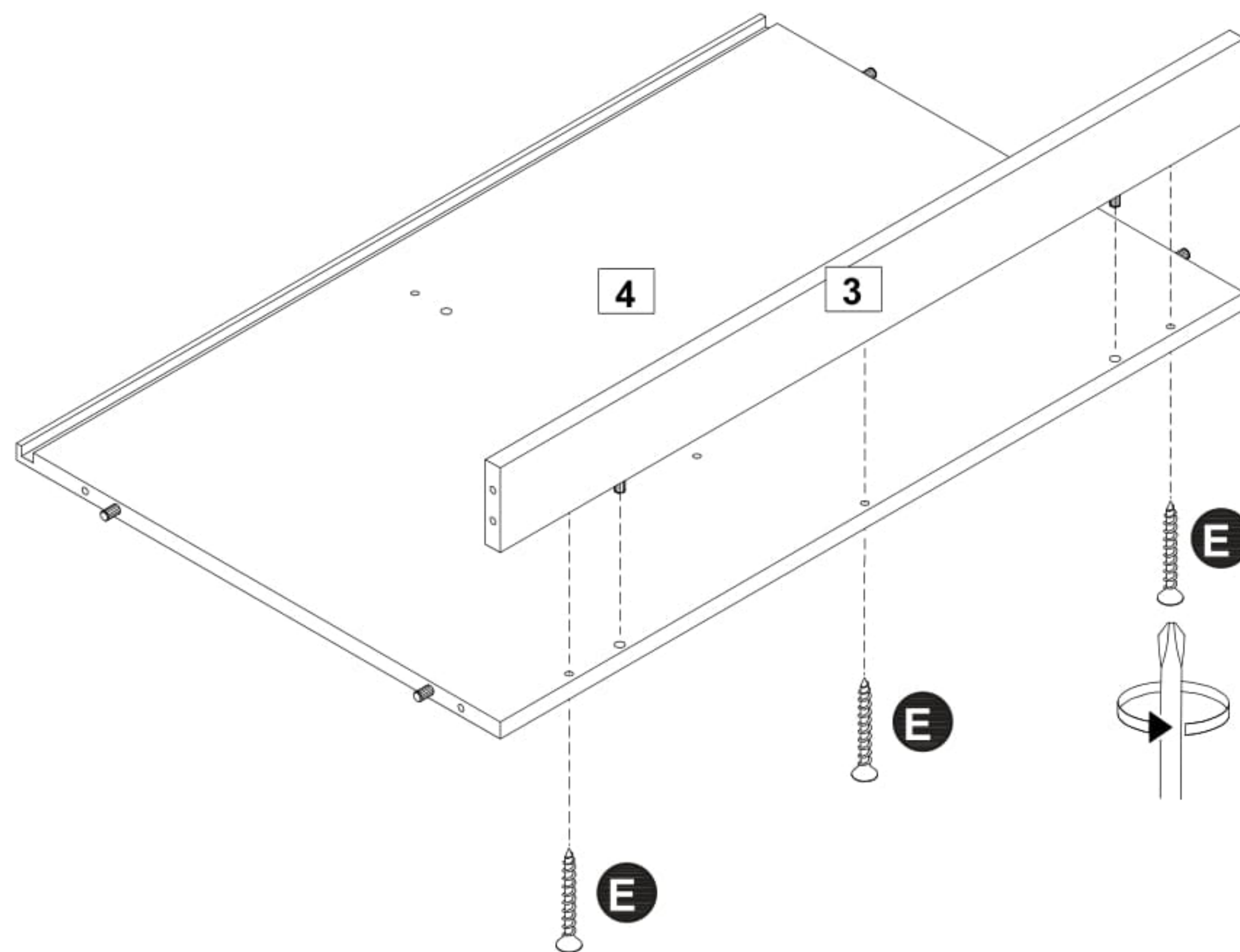
Assembly Instructions

Step 2



Insert wooden dowel (C) into part (3, 4).

Step 3



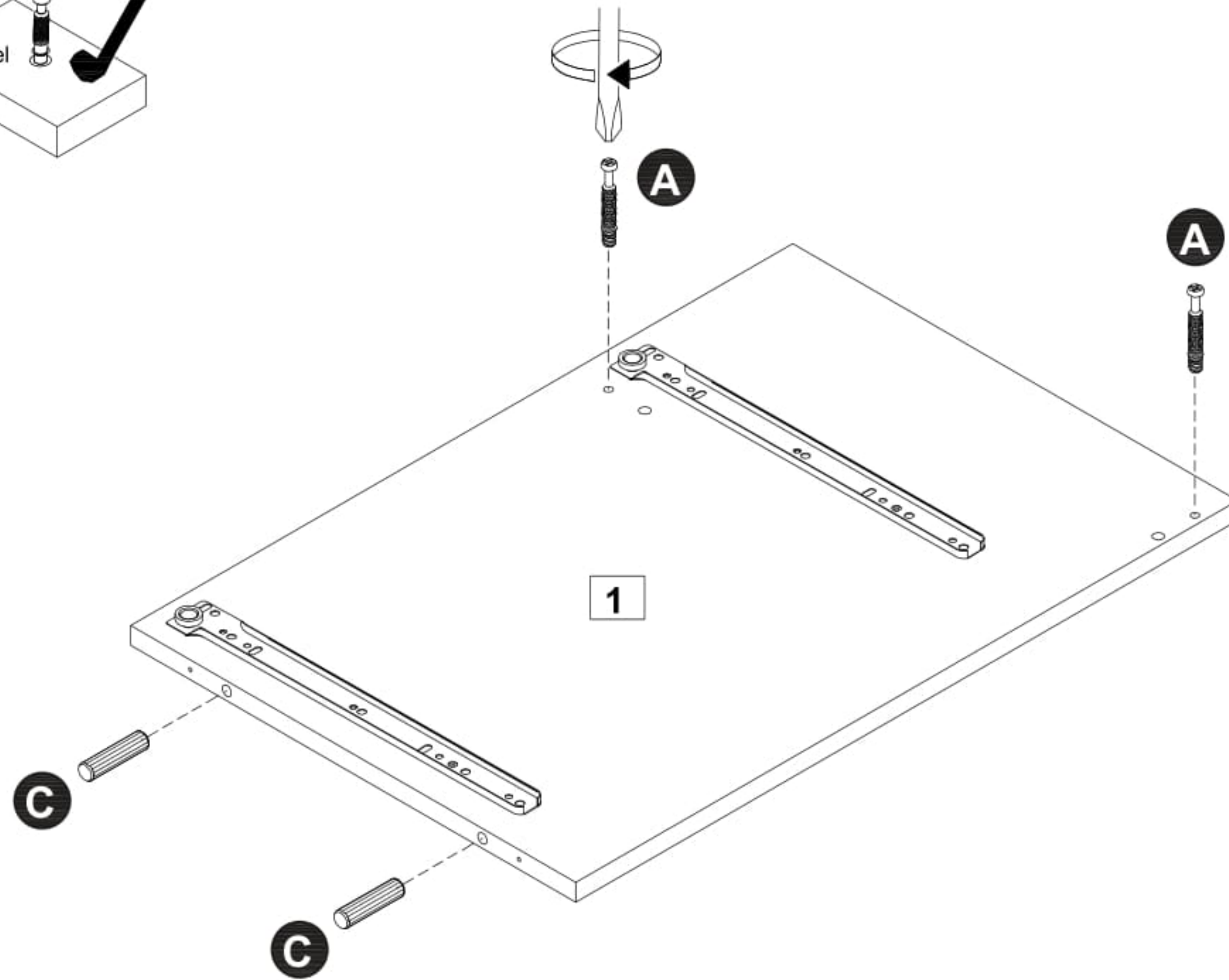
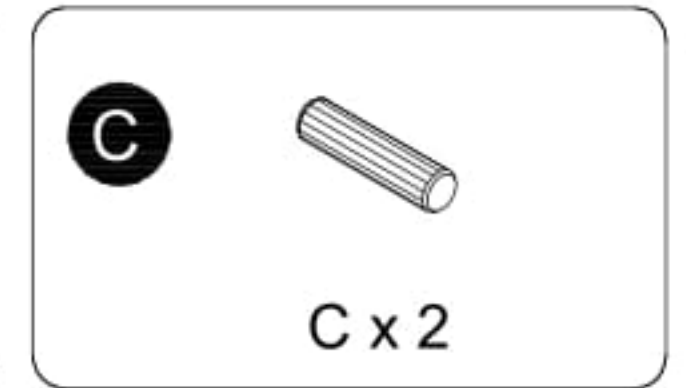
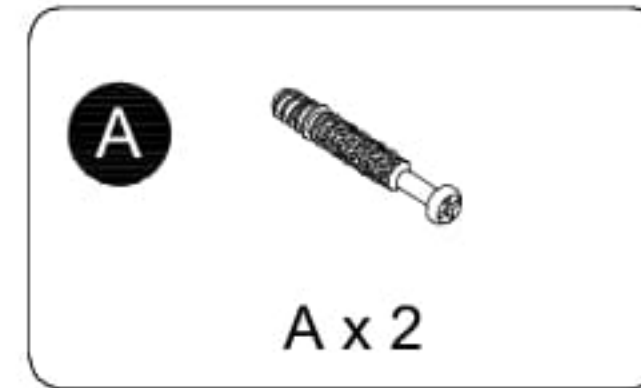
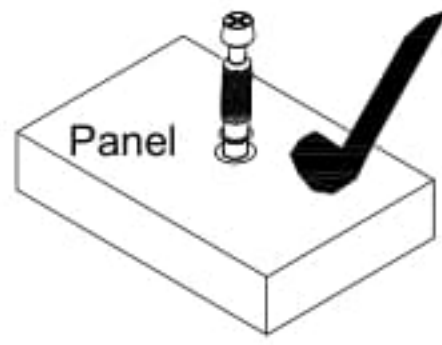
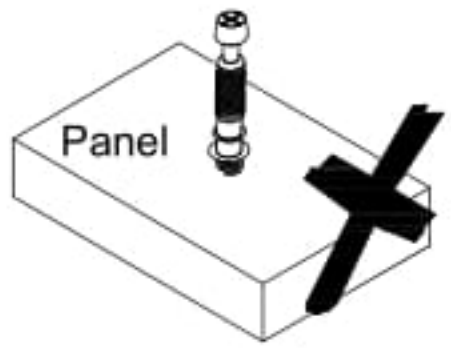
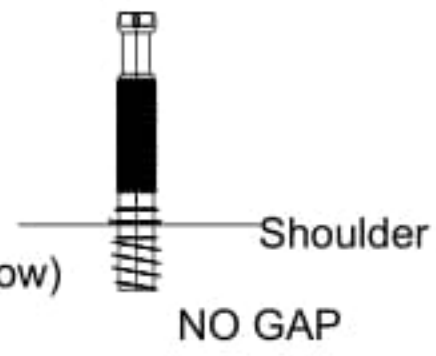
Attach part (3) to part (4) using screw (E) with a screwdriver.

Assembly Instructions

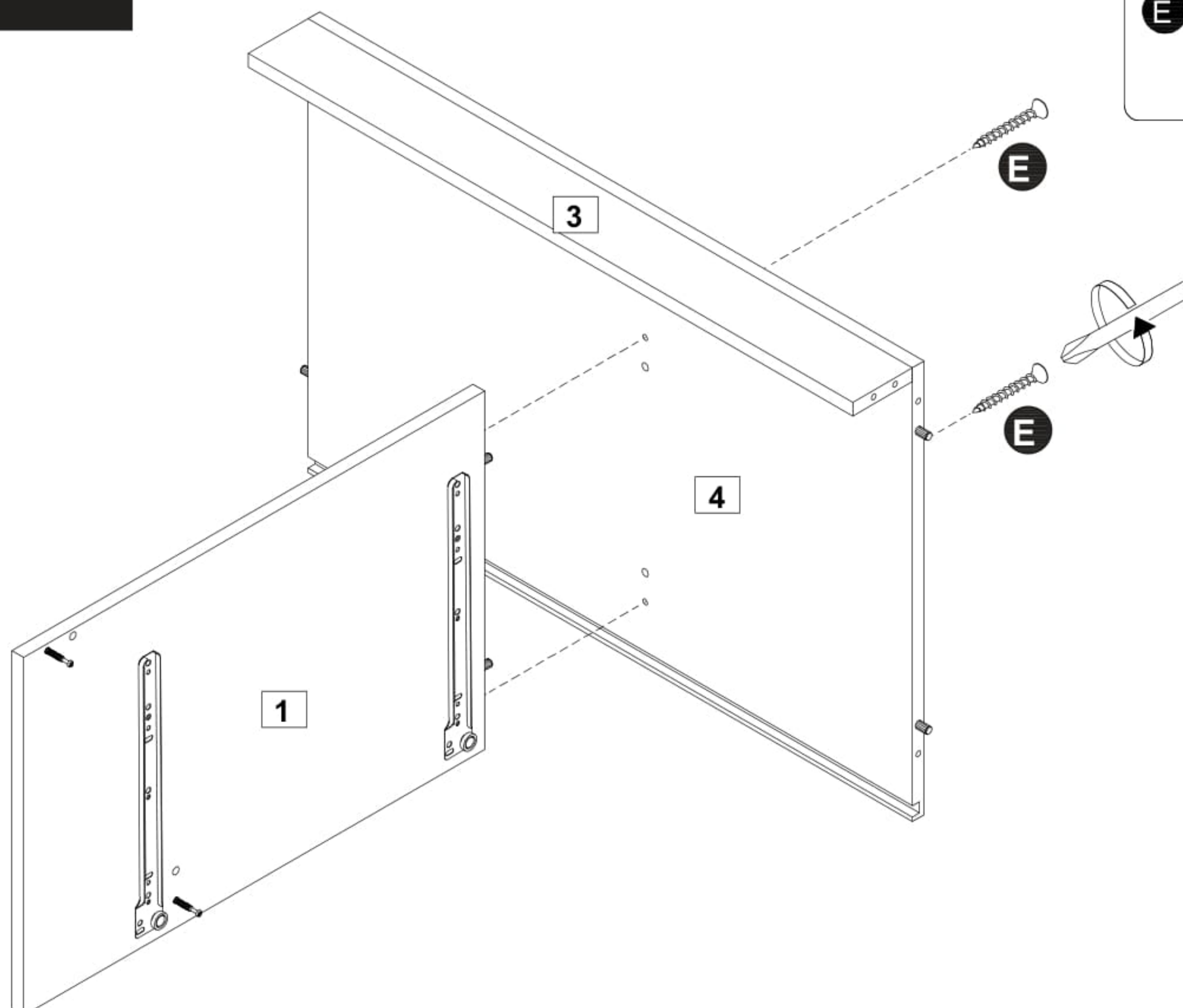
Step 4

CAM-LOCK

Tighten until shoulder is flush with panel. Do not overtighten or undertighten (see example below)



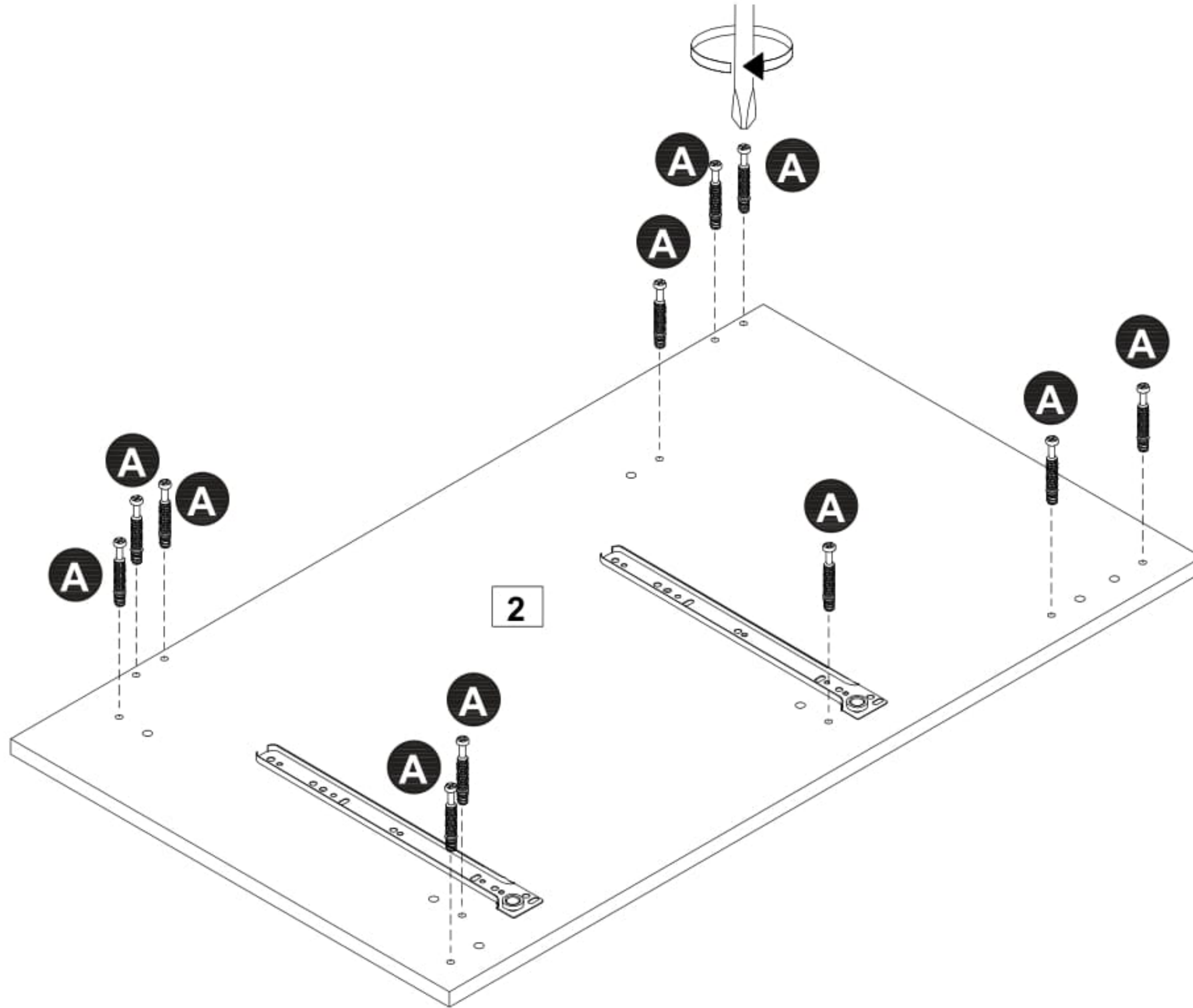
Step 5



Attach part (1) to part (4) using screw (E) with a screwdriver.

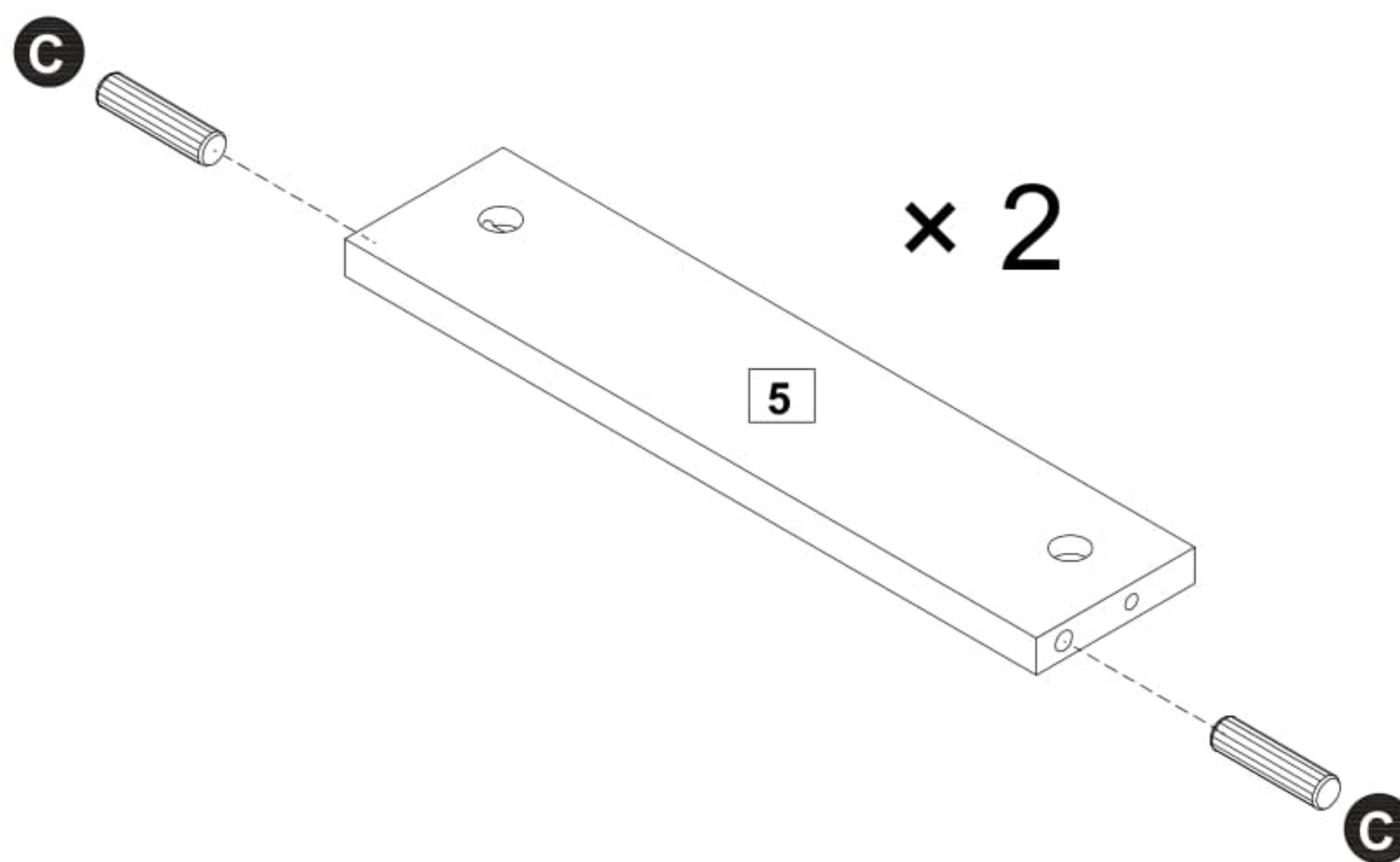
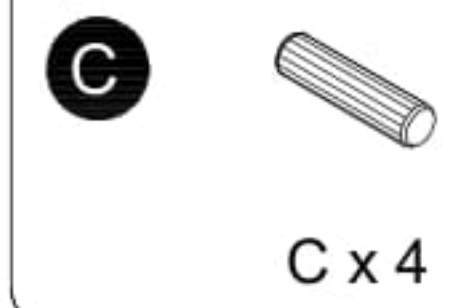
Assembly Instructions

Step 6



Attach cam bolt (A) to part (2) with a screwdriver.

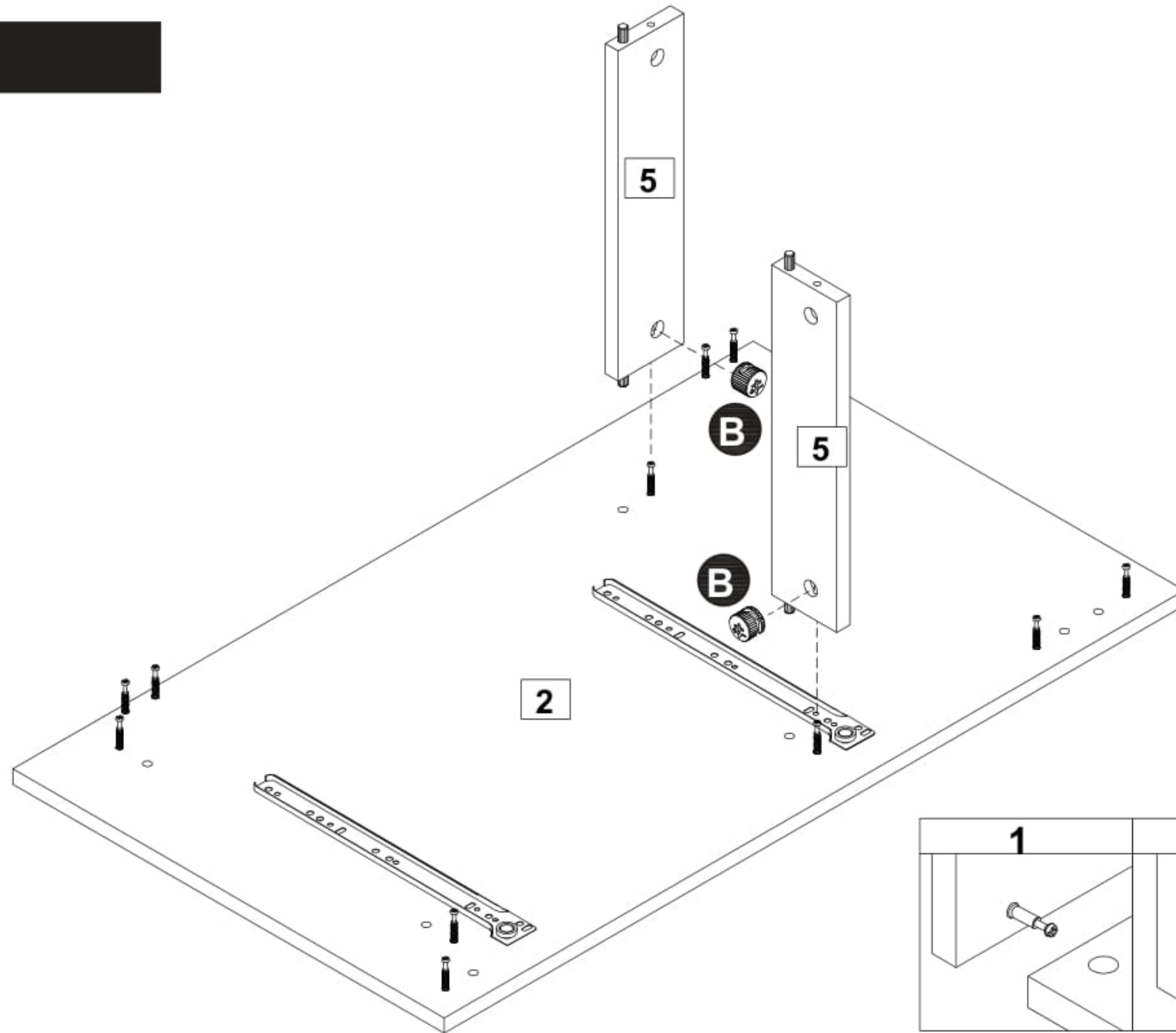
Step 7



Insert wooden dowel (C) into part (5).

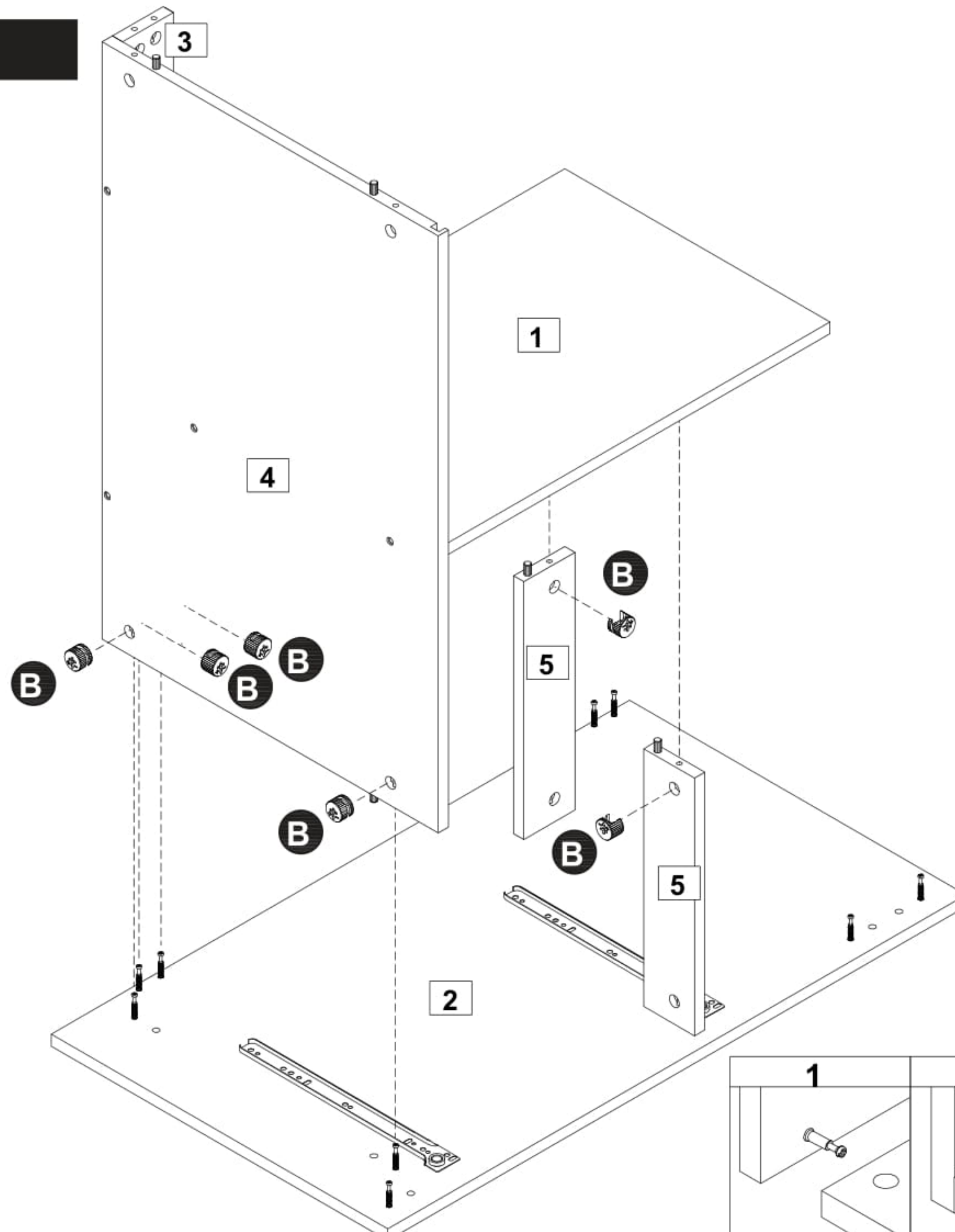
Assembly Instructions

Step 8



Attach part (5) to part (2), then insert and secure cam lock (B) to part (5) to lock it.

Step 9

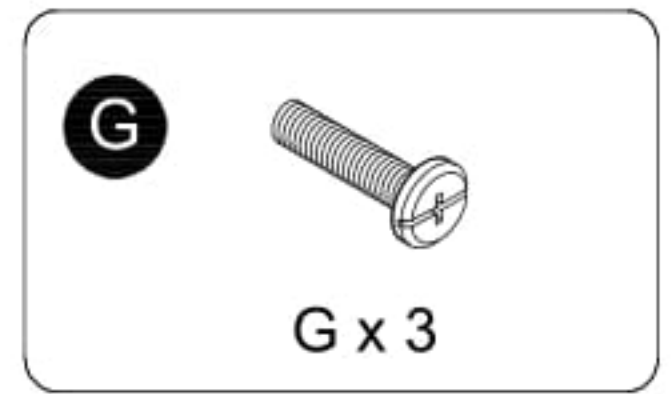
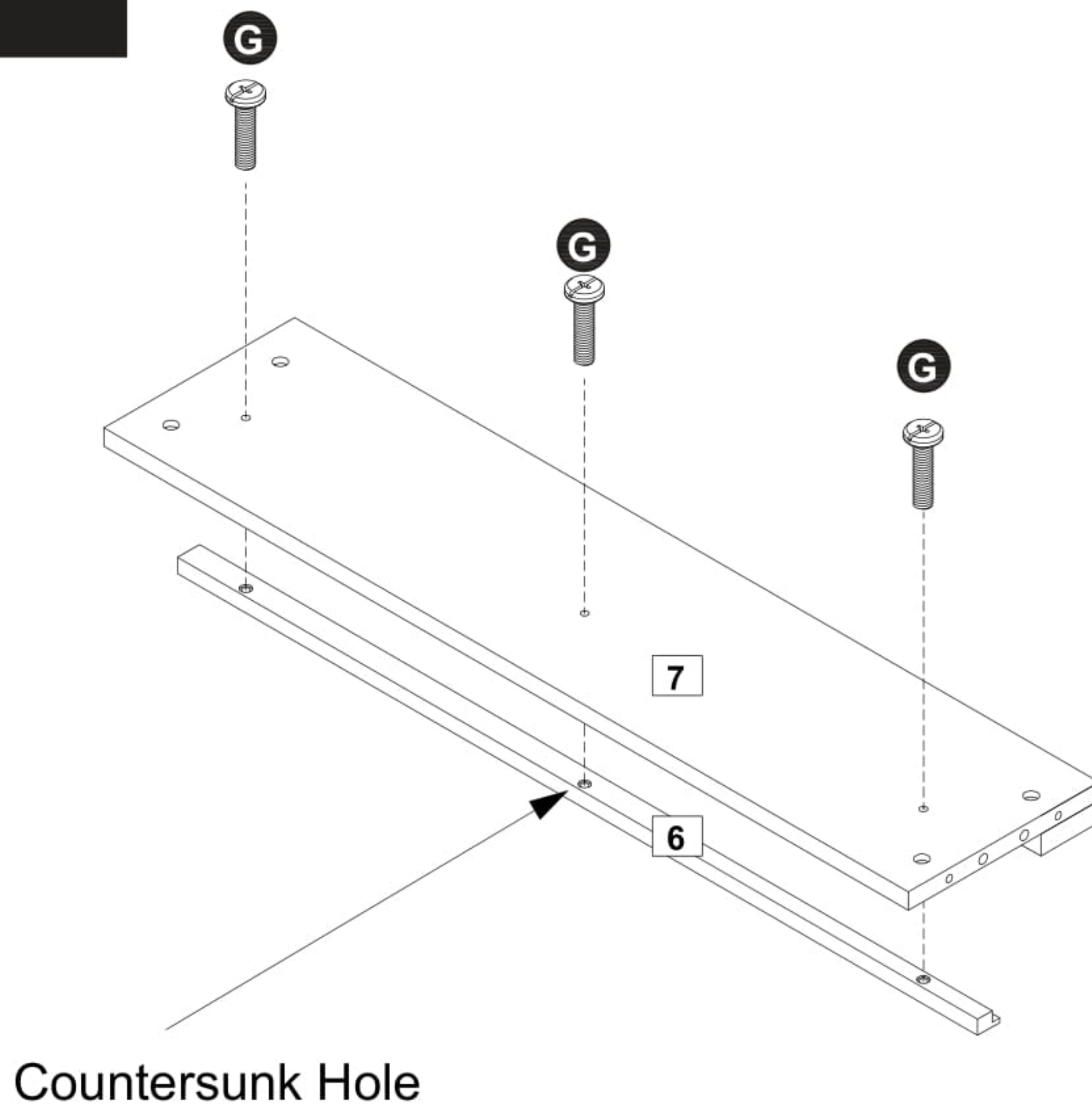


Attach part (1) to part (5), then insert and secure cam lock (B) to part (5) to lock it.

Attach part (3, 4) to part (2), then insert and secure cam lock (B) to part (3, 4) to lock it.

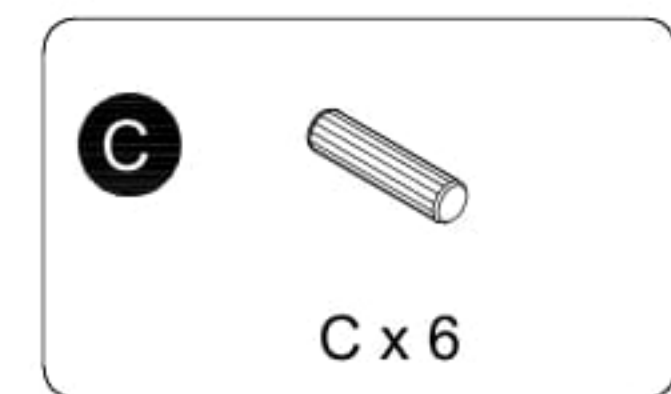
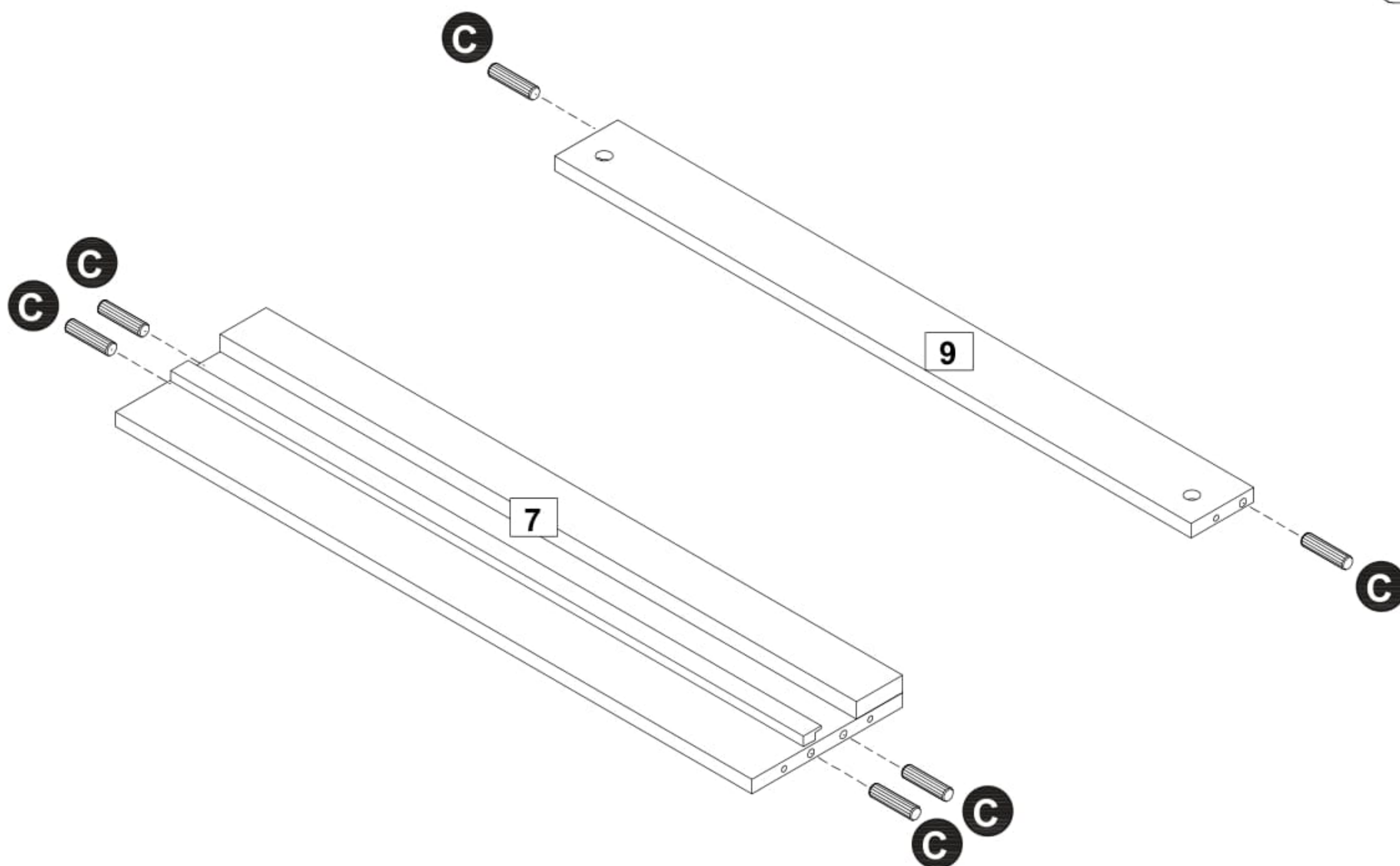
Assembly Instructions

Step 10



Attach part (6) to part (7) using bolt (G) with a screwdriver.

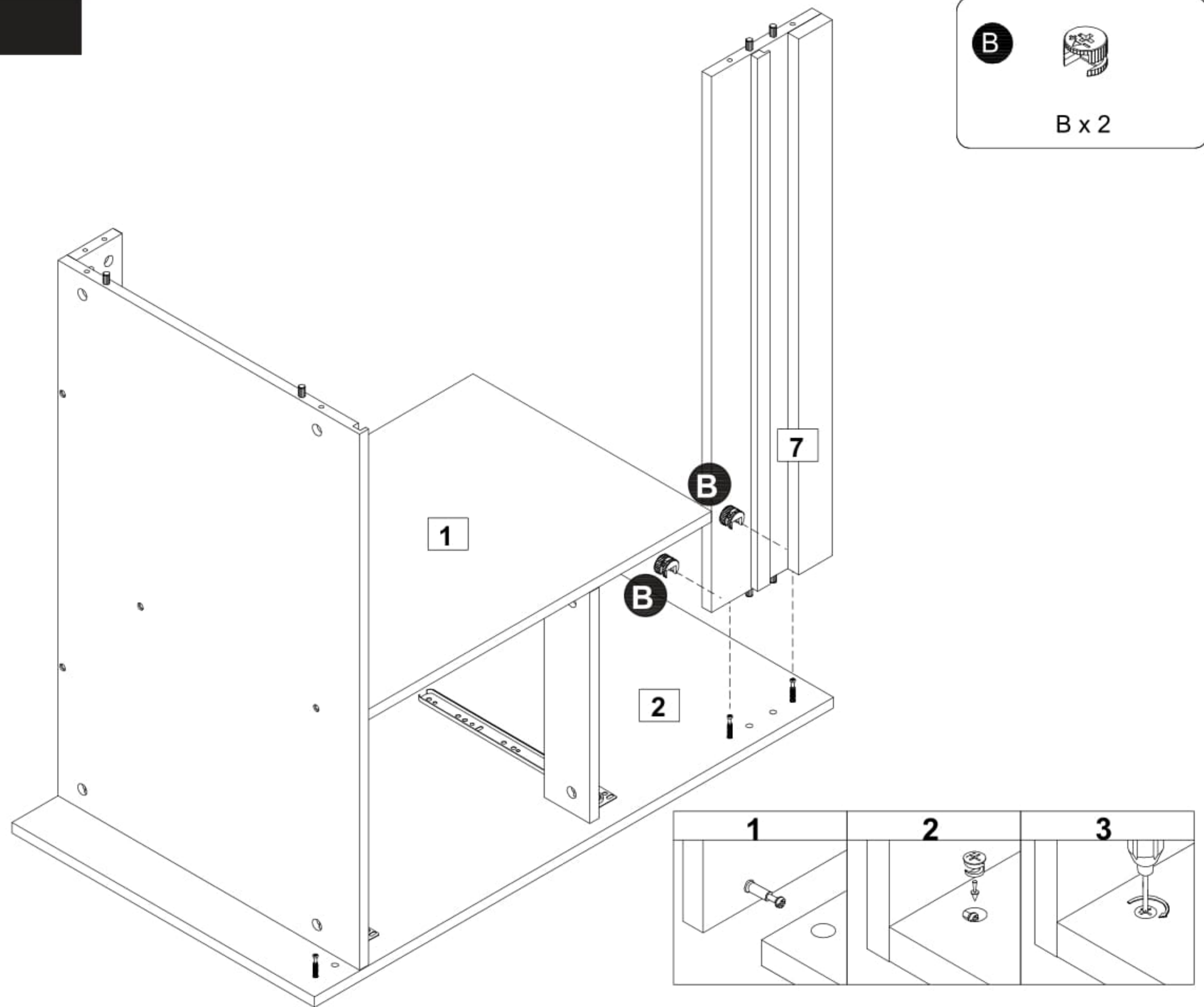
Step 11



Insert wooden dowel (C) into part (7, 9).

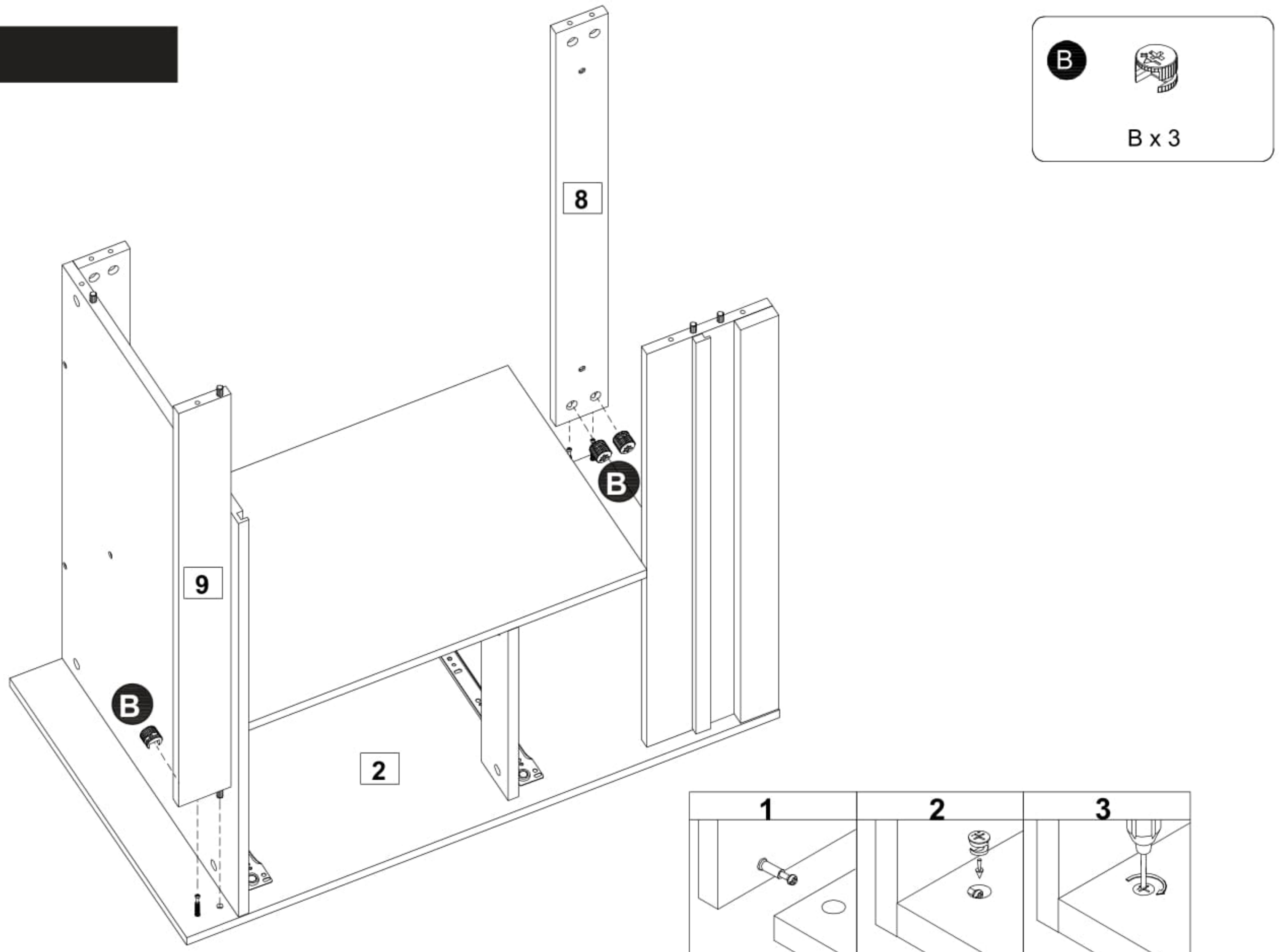
Assembly Instructions

Step 12



Attach part (7) to part (2), then insert and secure cam lock (B) to part (7) to lock it.

Step 13



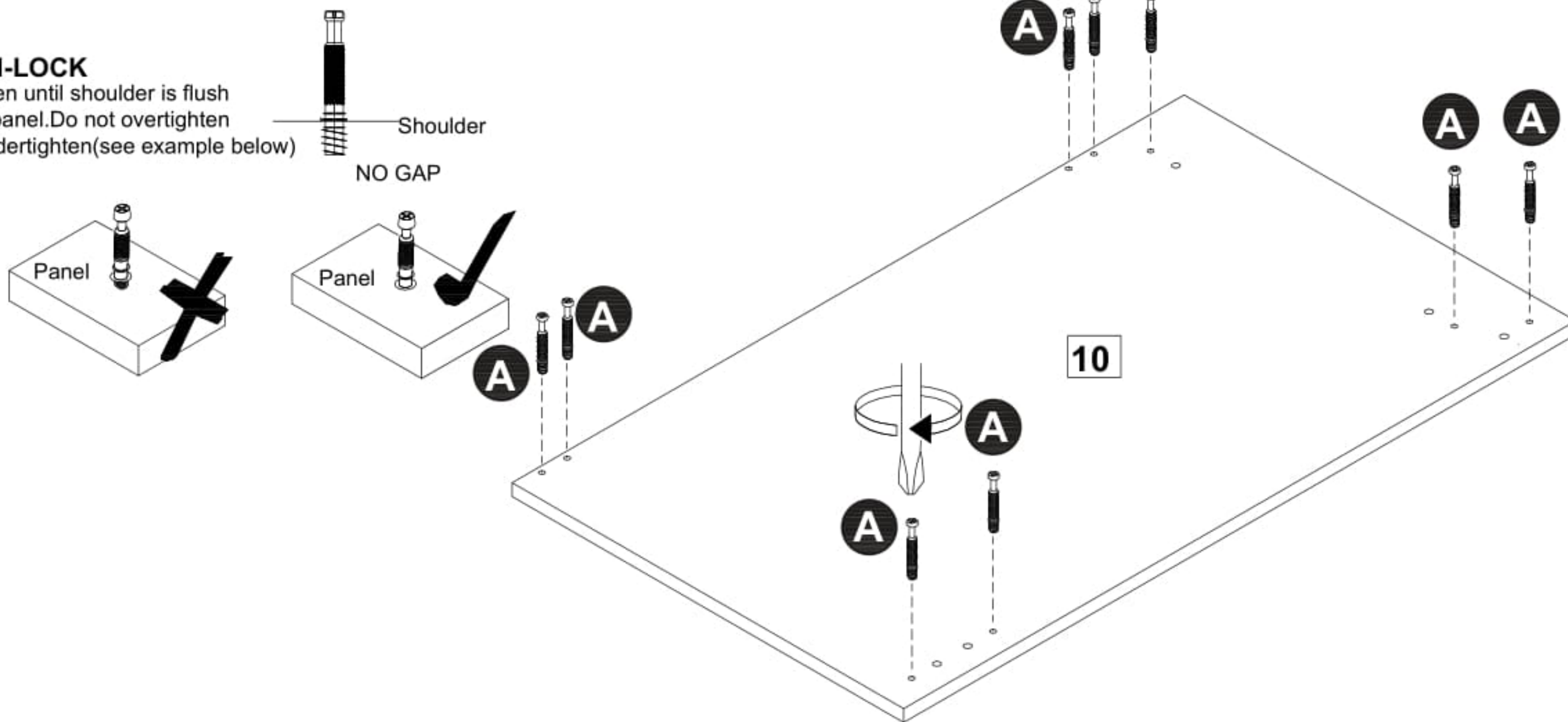
Attach part (8, 9) to part (2), then insert and secure cam lock (B) to part (8, 9) to lock it.

Assembly Instructions

Step 14

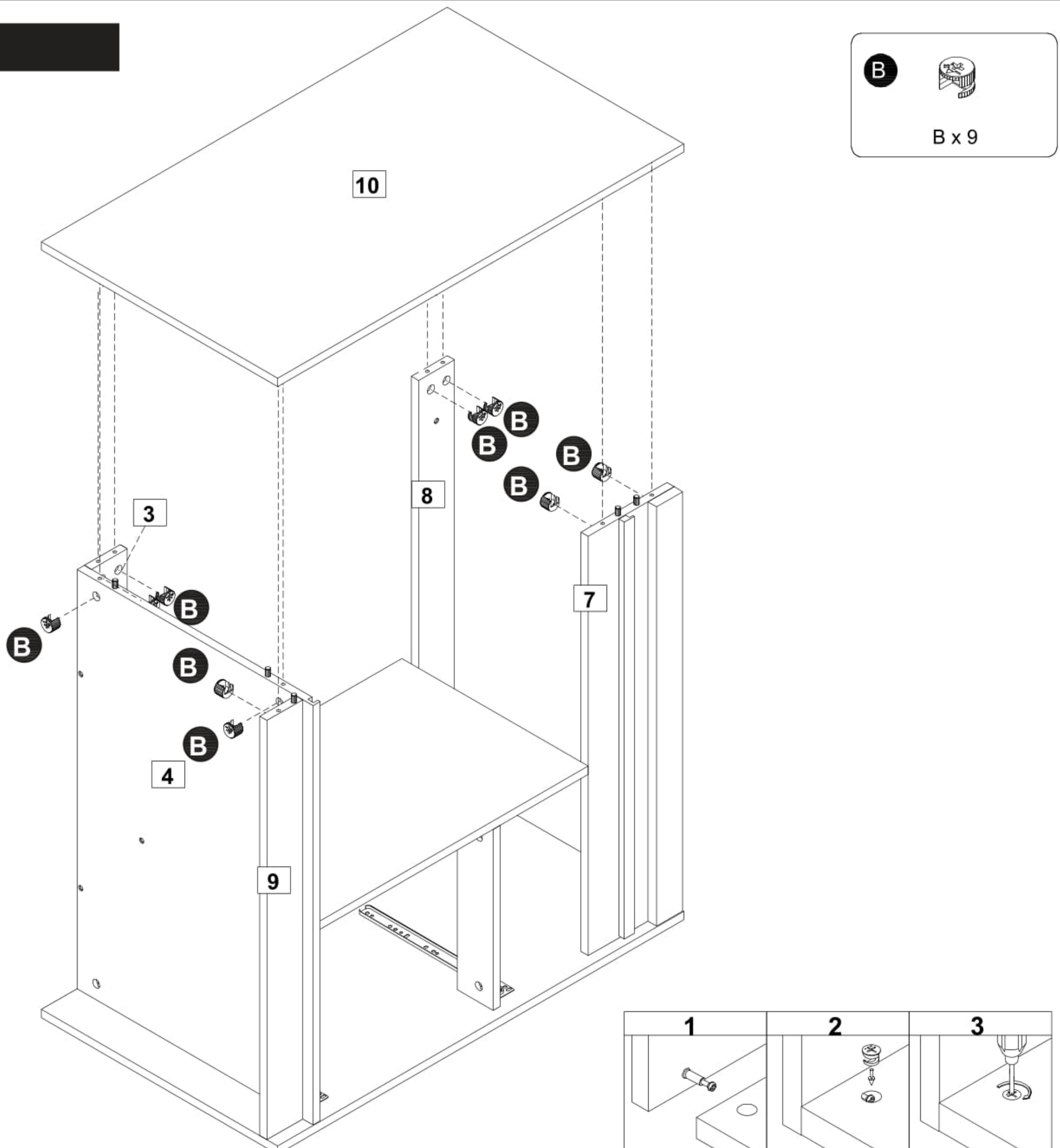
CAM-LOCK

Tighten until shoulder is flush with panel. Do not overtighten or undertighten (see example below)



Attach cam bolt (A) to part (10) with a screwdriver.

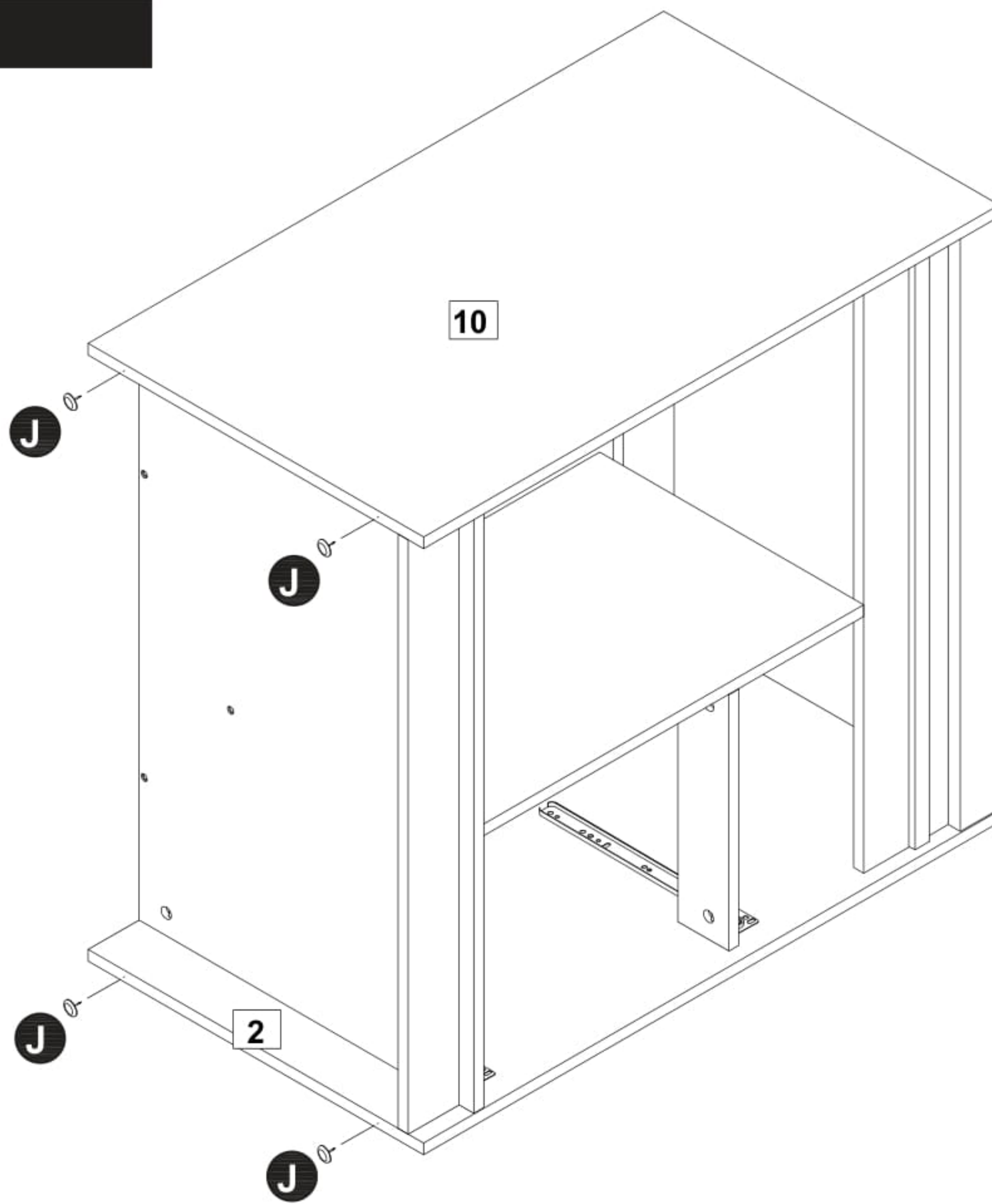
Step 15



Attach part (10) to part (3, 4, 7, 8, 9), then insert and secure cam lock (B) to part (3, 4, 7, 8, 9) to lock it.

Assembly Instructions

Step 16

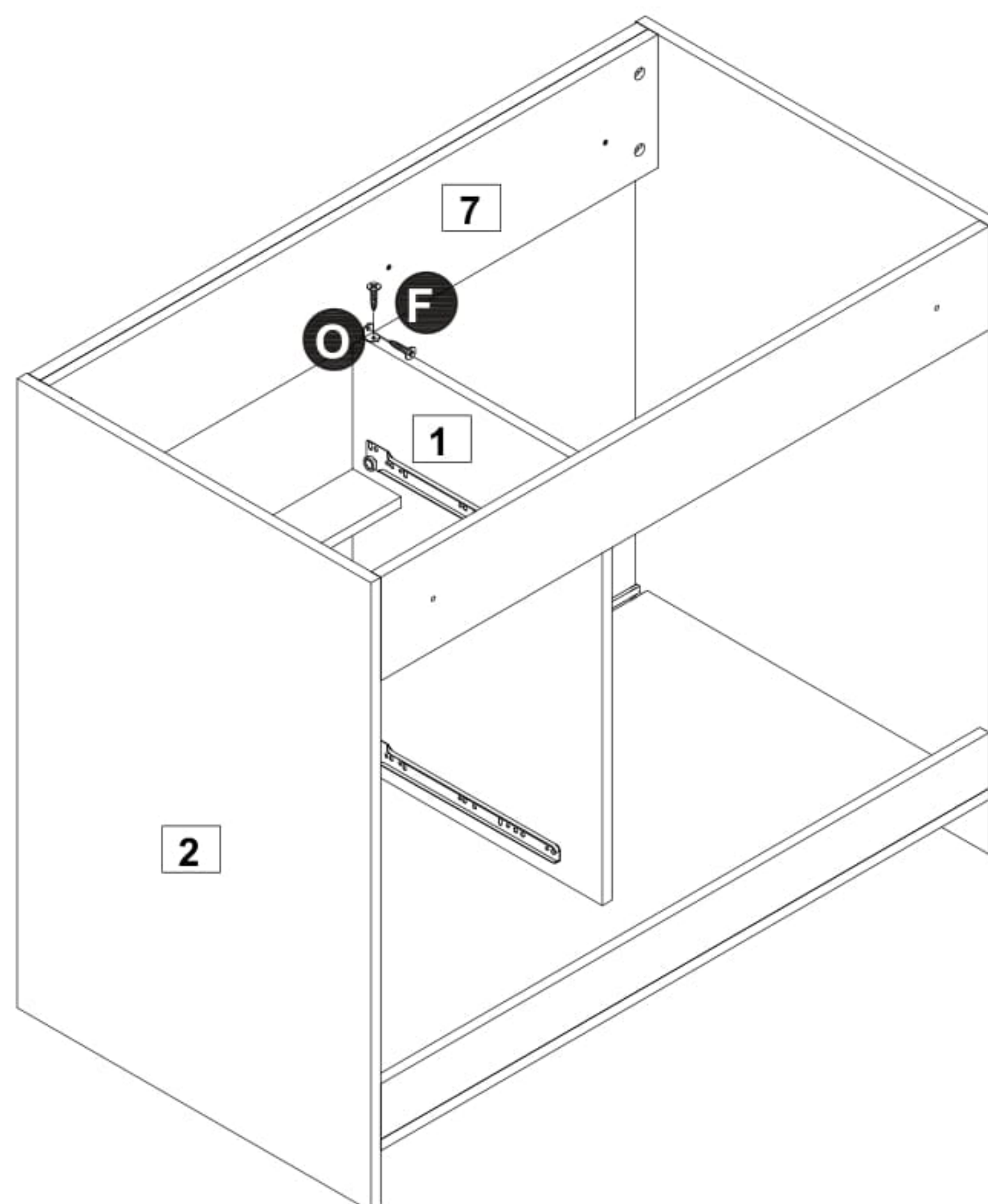
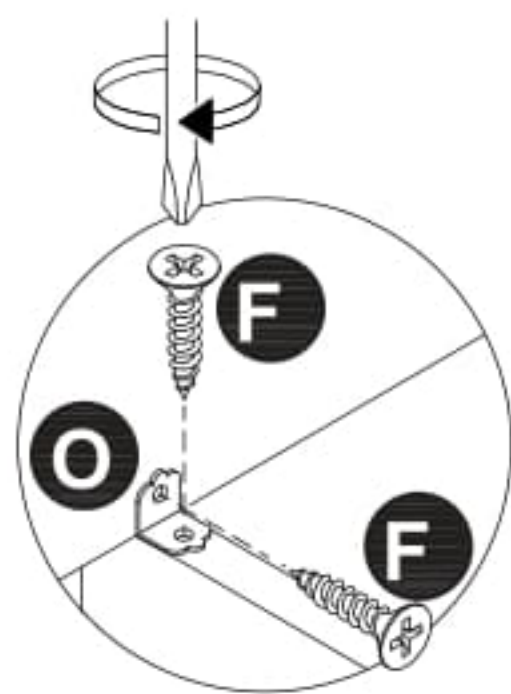


J 

J x 4

Insert protective foot (J) into part (2, 10).

Step 17



F 

F x 2

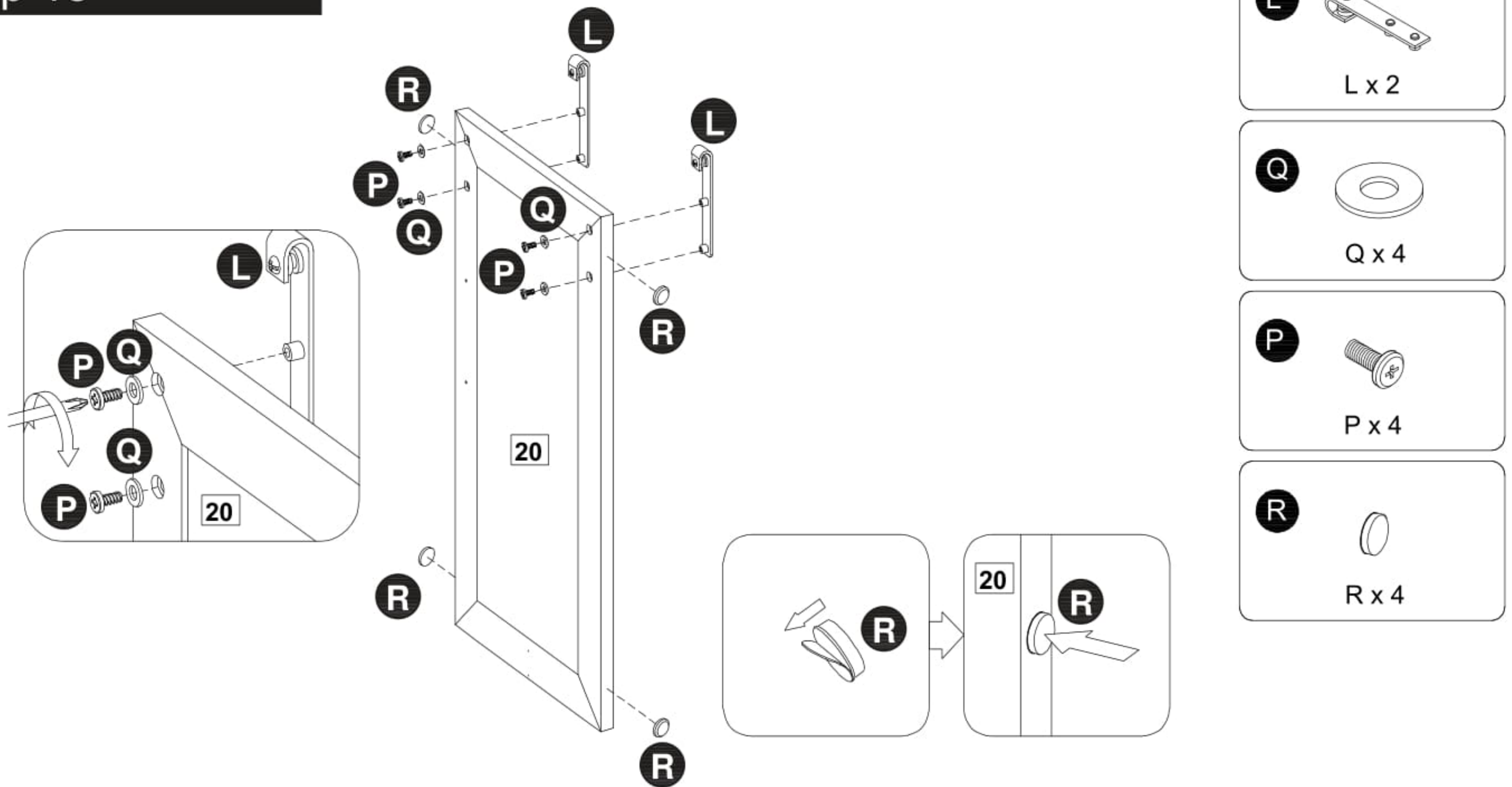
O 

O x 1

Use (L) shape bracket (O) and screw (F) to attach part (1) to part (7).

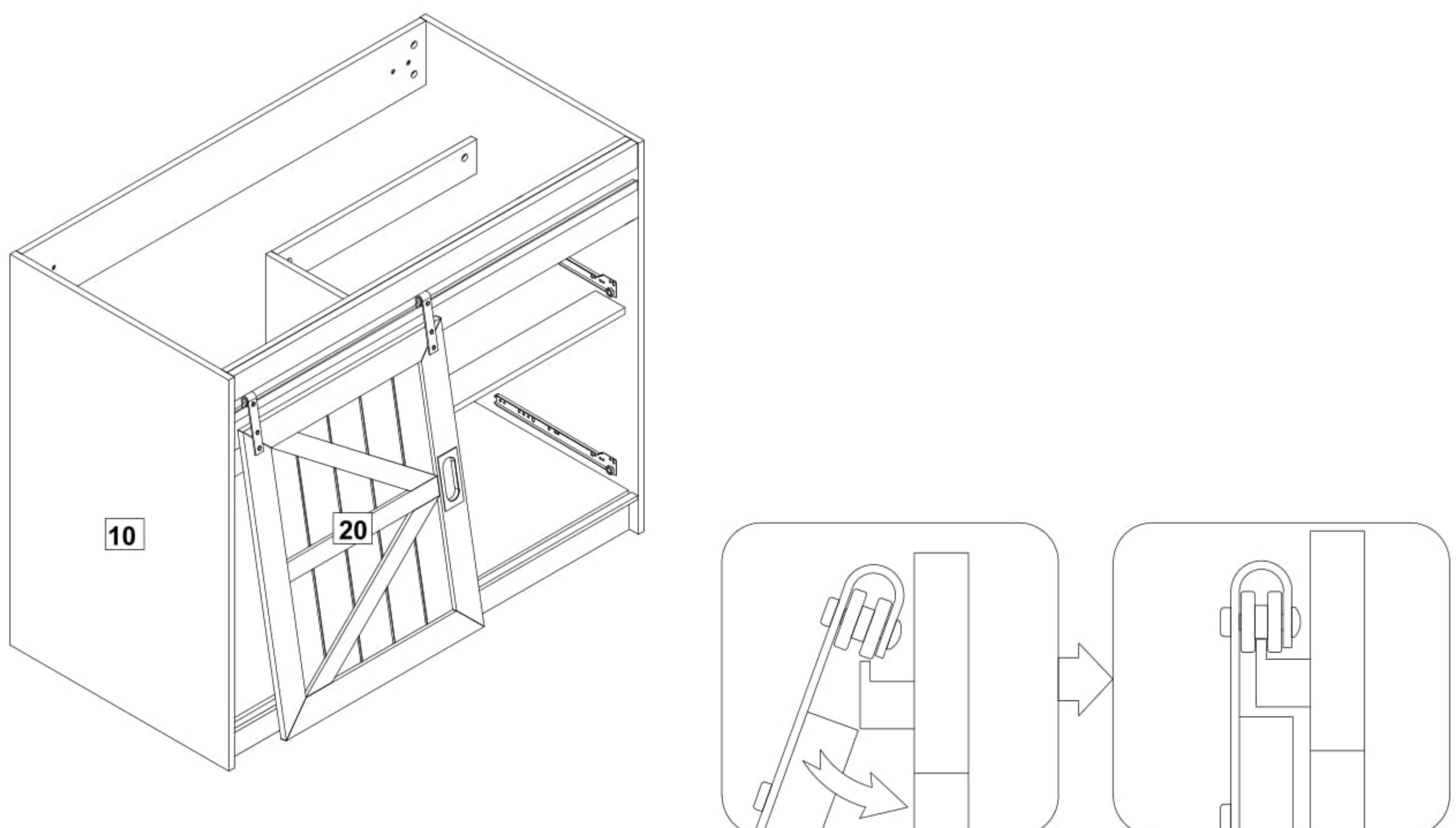
Assembly Instructions

Step 18



Place the Pulley (L) on the outside of the Door (20).
Insert Bolts (P) through Flat Washers (Q) and into the pre-drilled holes on the other side of the door.
Tighten Pulley (L) through the door using a Screwdriver.
Place the Door Bumpers (R) on the inner edge of Door (20) as indicated.

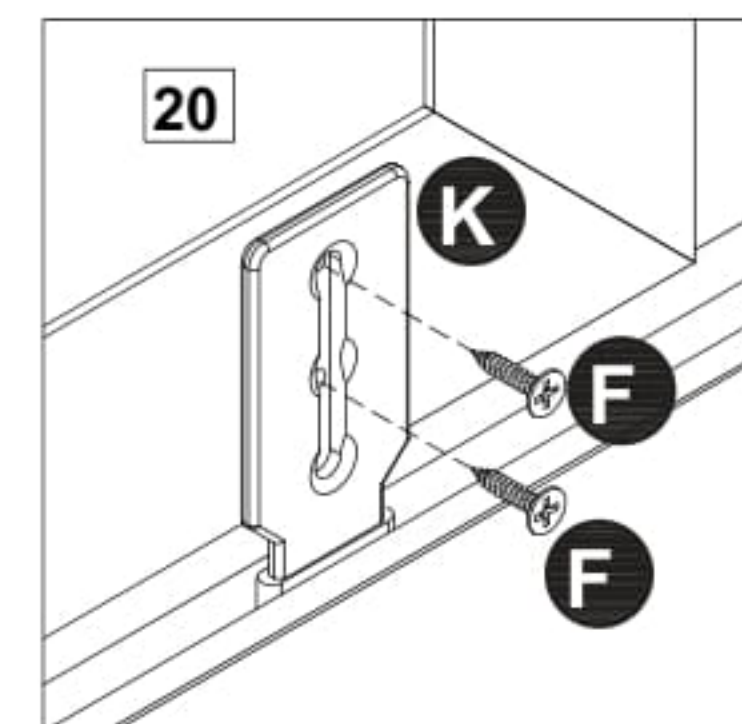
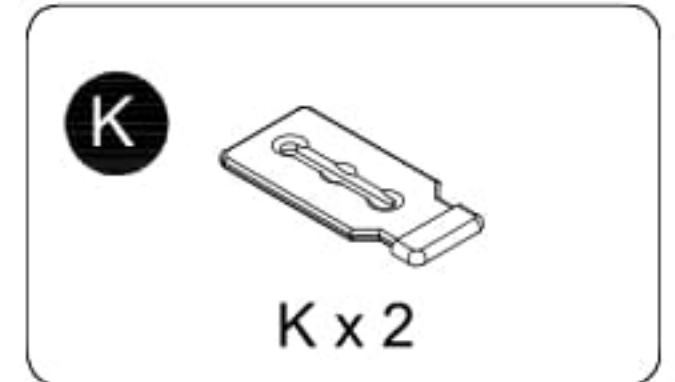
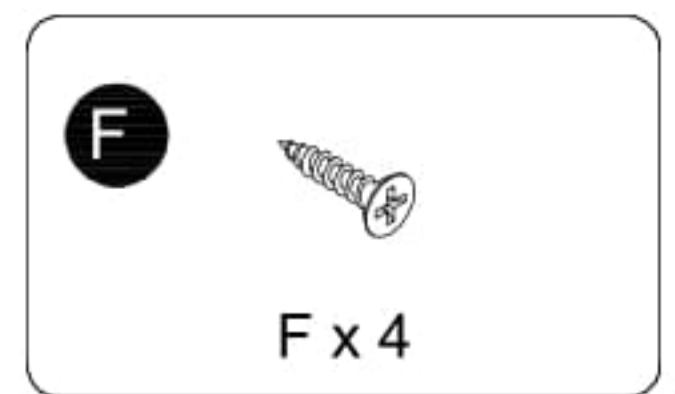
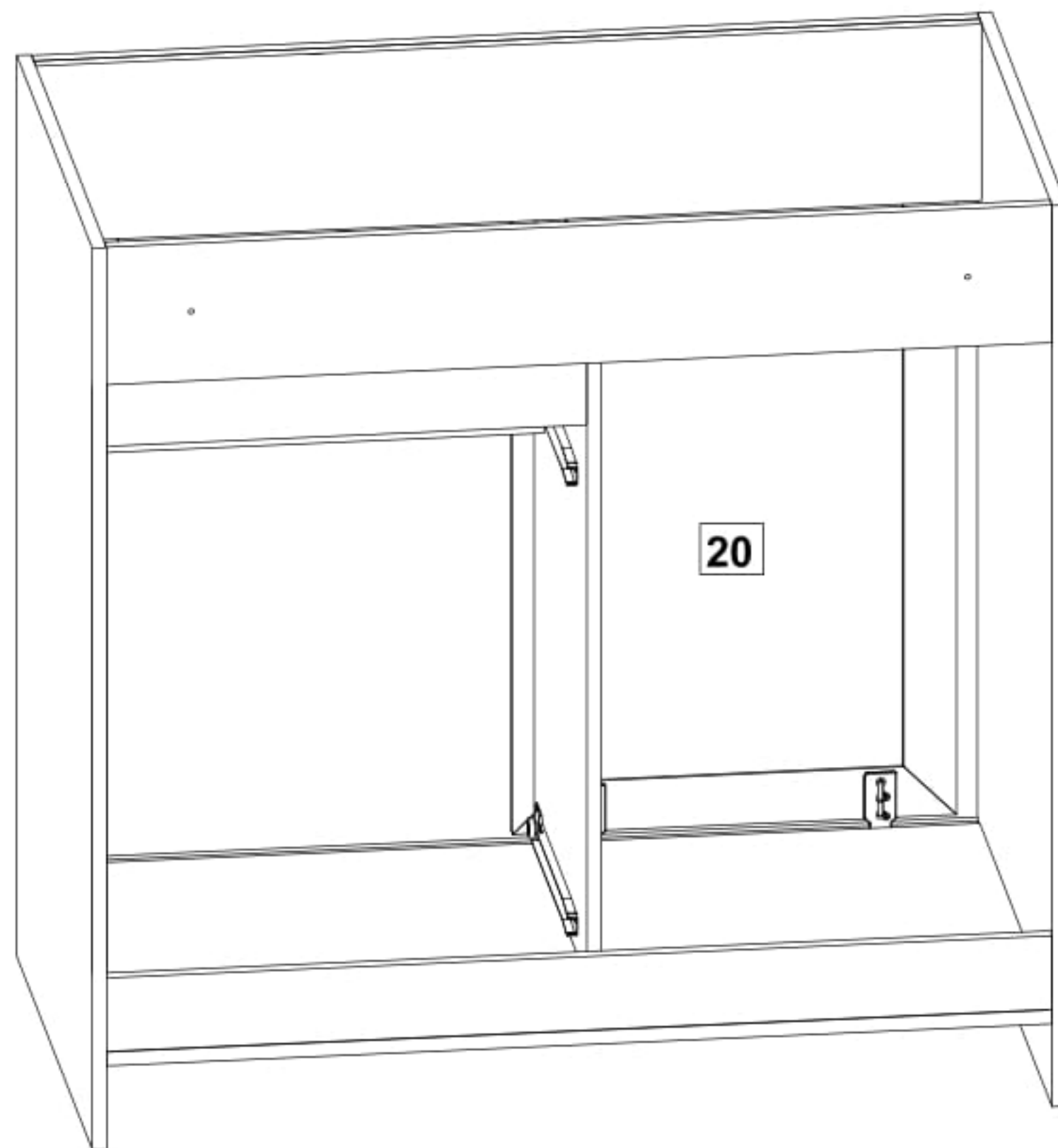
Step 19



Place door (20) on the track.

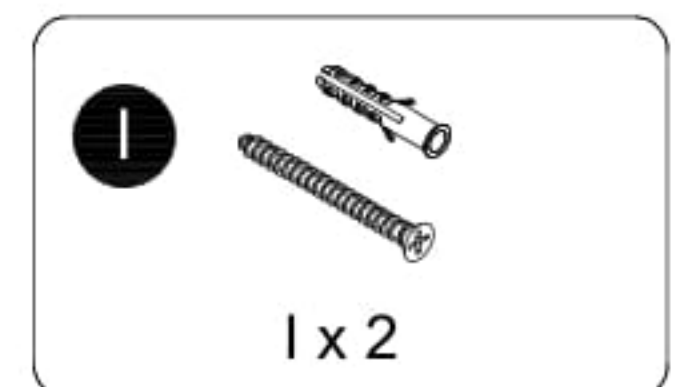
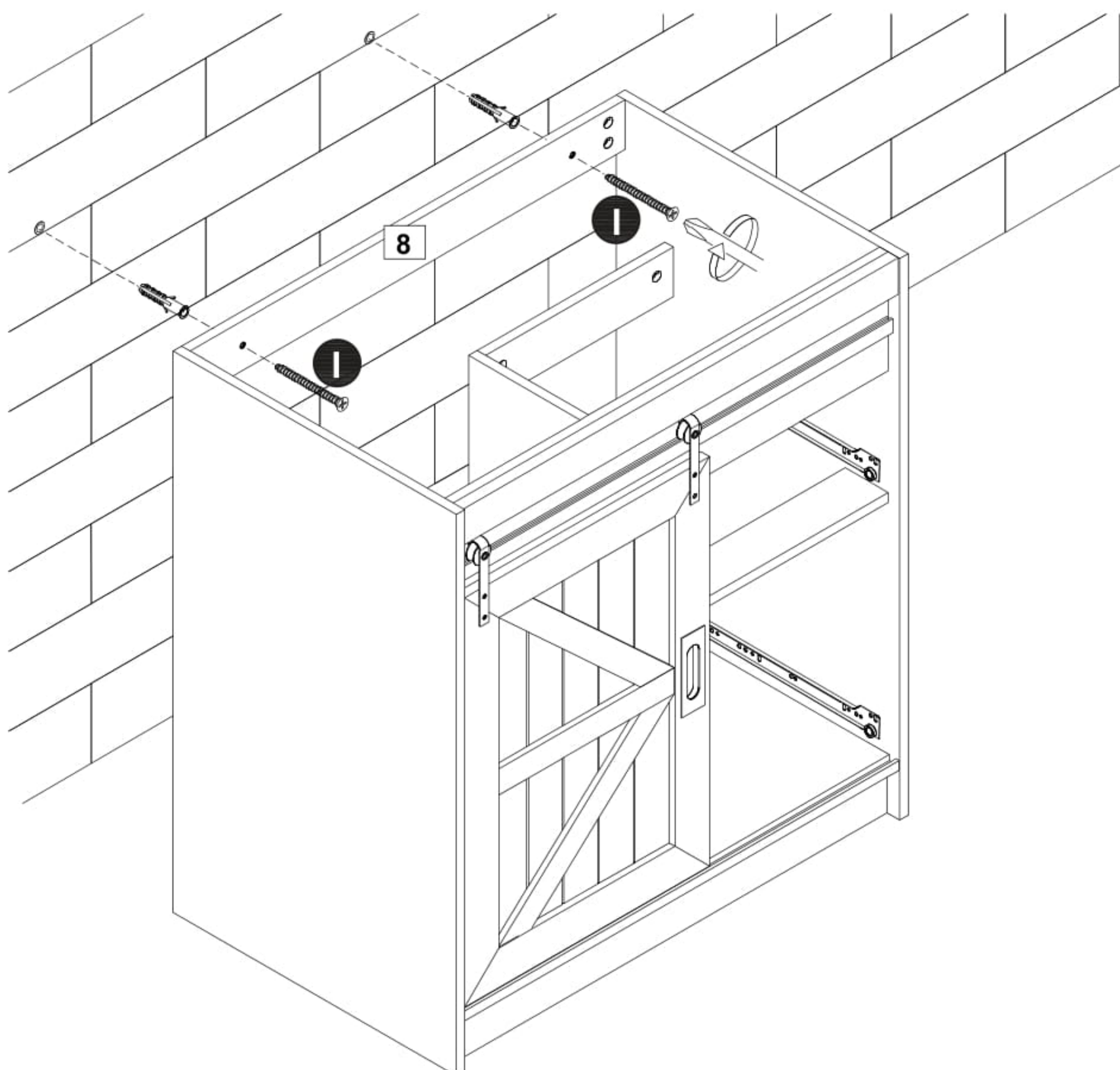
Assembly Instructions

Step 20



From the back of the unit, insert Screws (F) through the Sliders (K) and into the pre-drilled holes in Door (20).

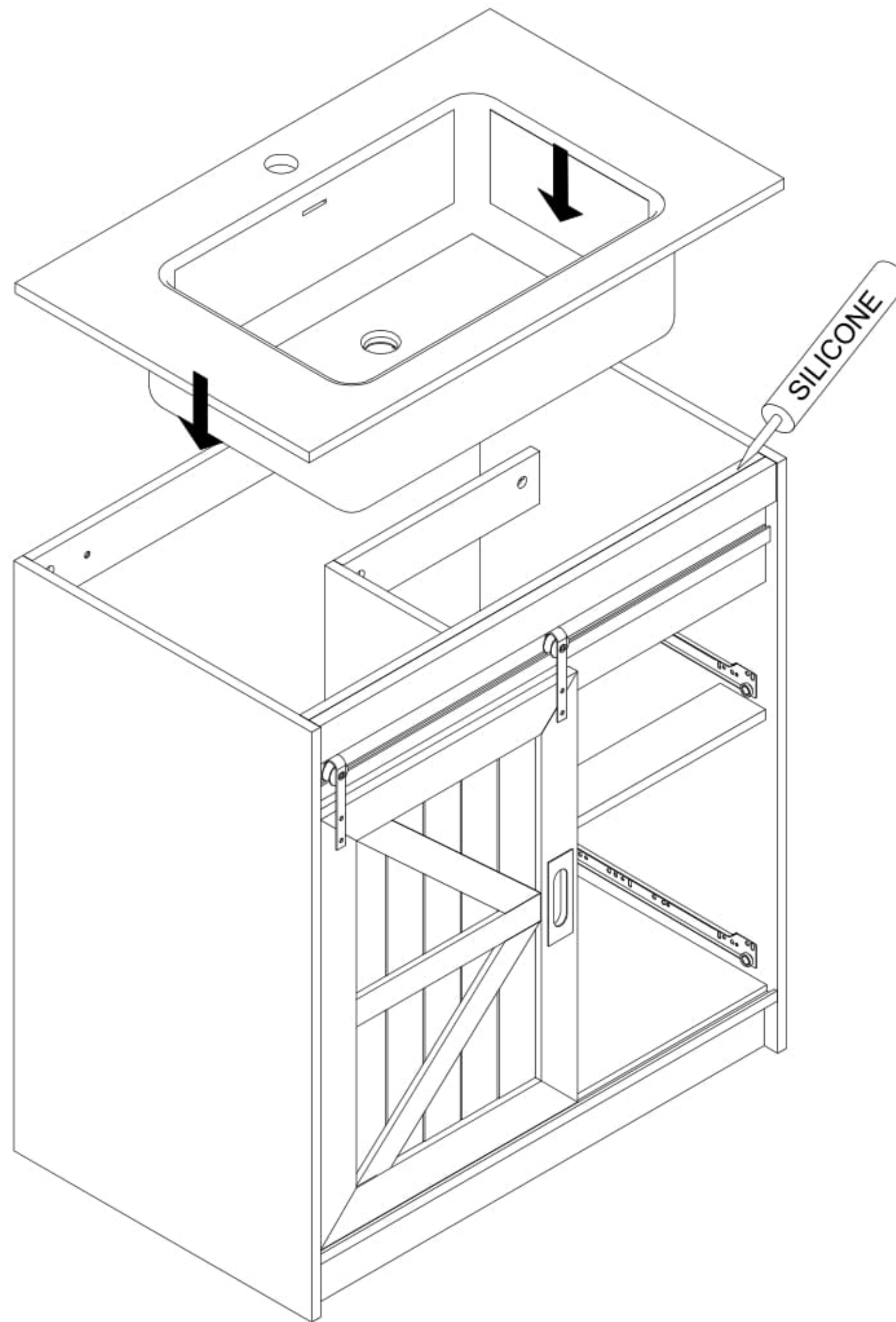
Step 21



Secure vanity to the wall by using appropriate wall plus and screw(I).

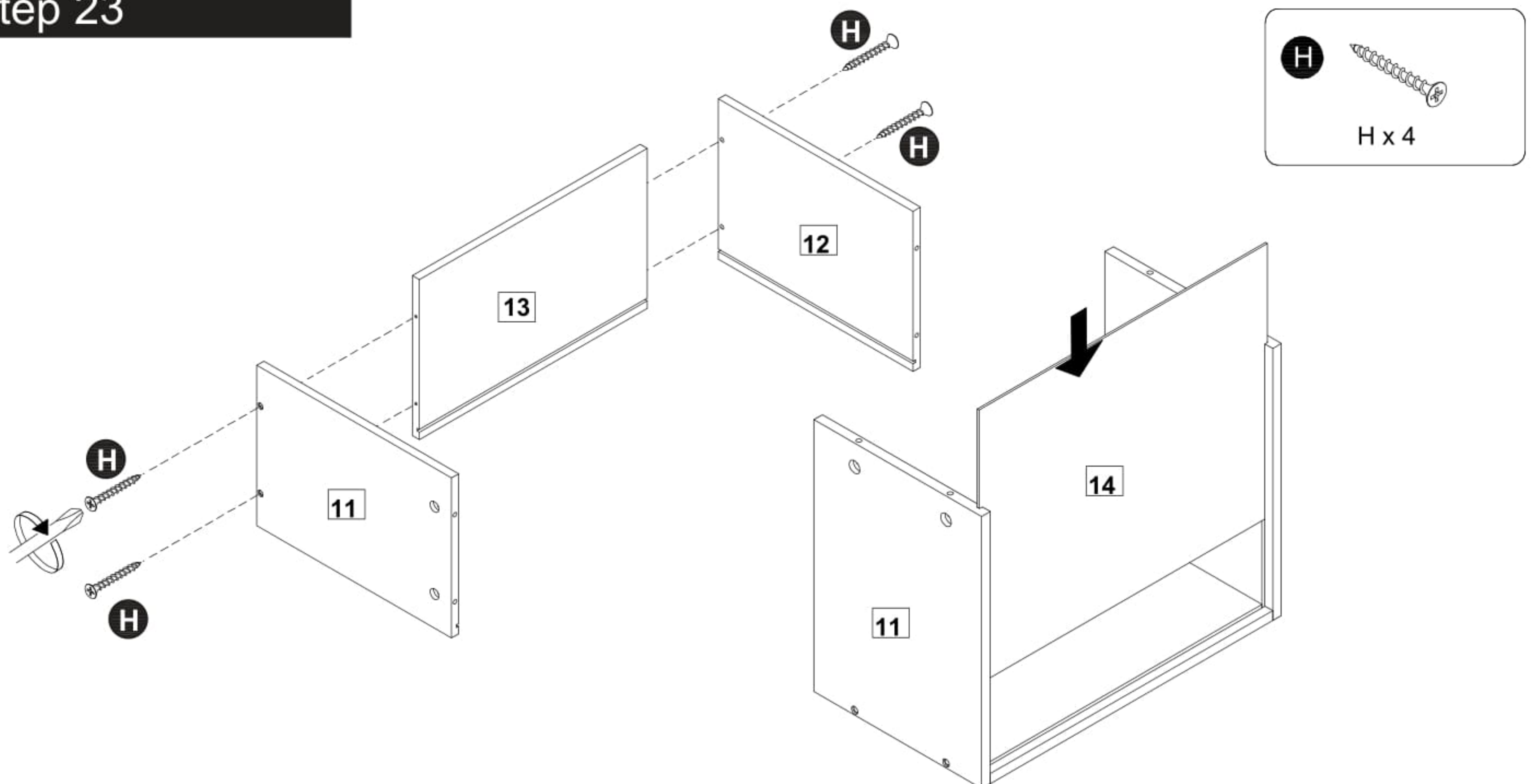
Assembly Instructions

Step 22



Apply a thin layer of silicone sealant around the top of the vanity, and then carefully secure the sink in place.
Remove excess silicone sealant with a damp rag.

Step 23



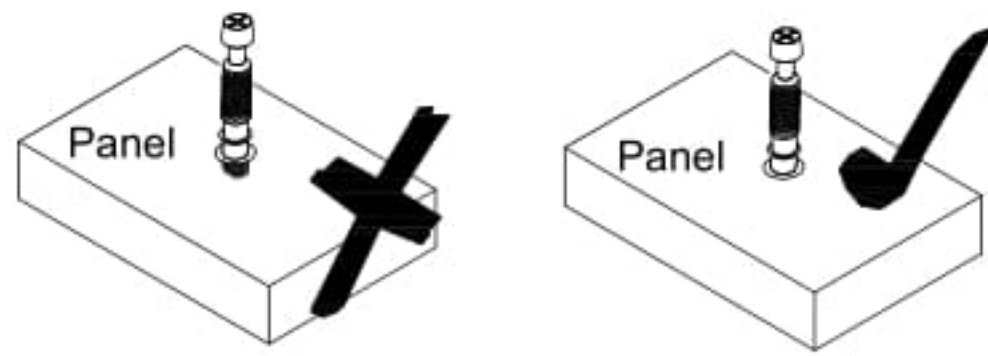
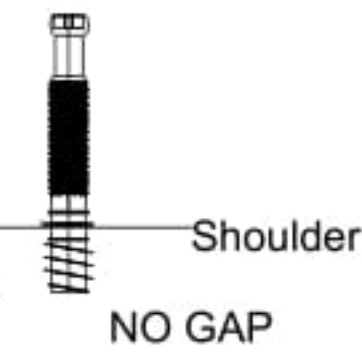
Attach part (11, 12) to part (13) using screw (H) with a screwdriver.
Slide part (14) into grooves.

Assembly Instructions

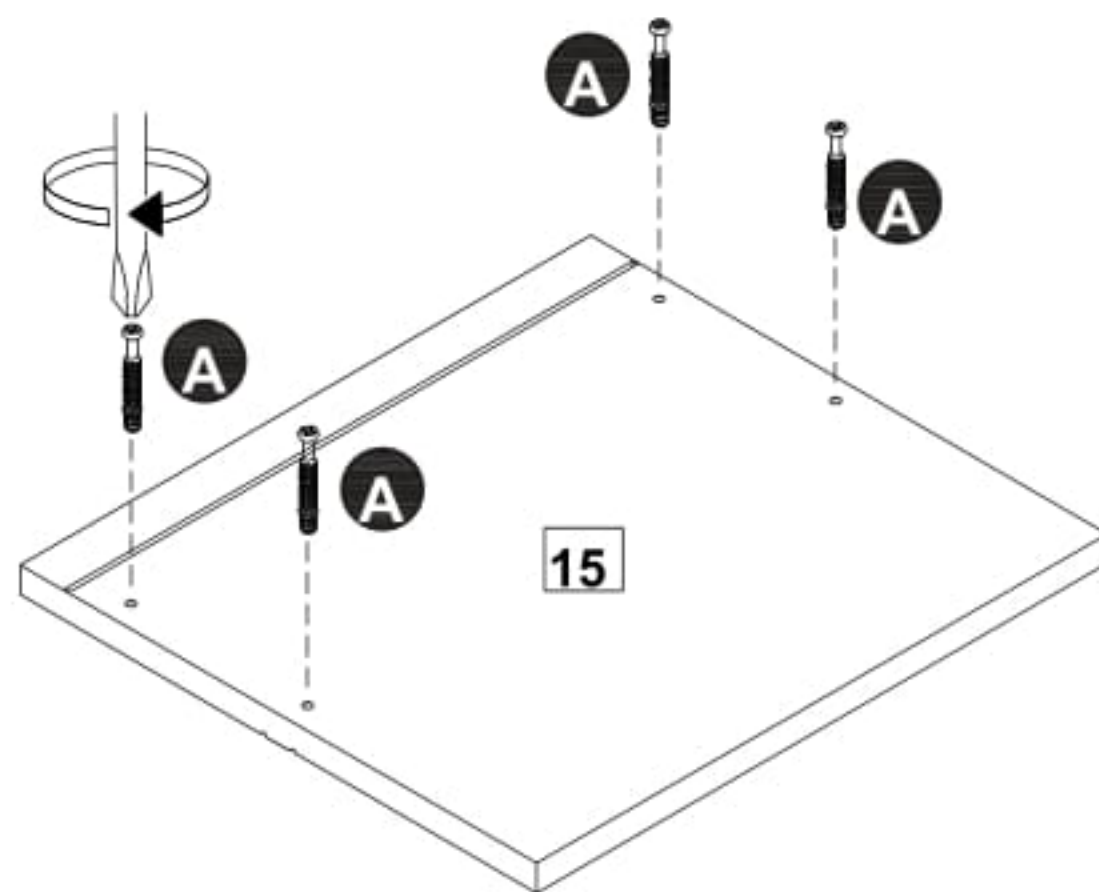
Step 24

CAM-LOCK

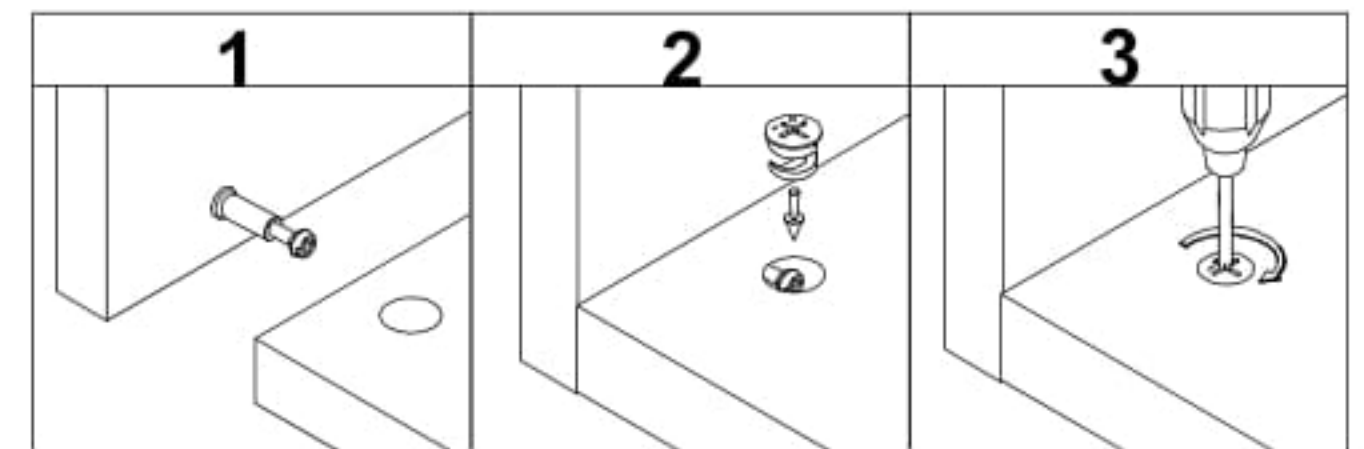
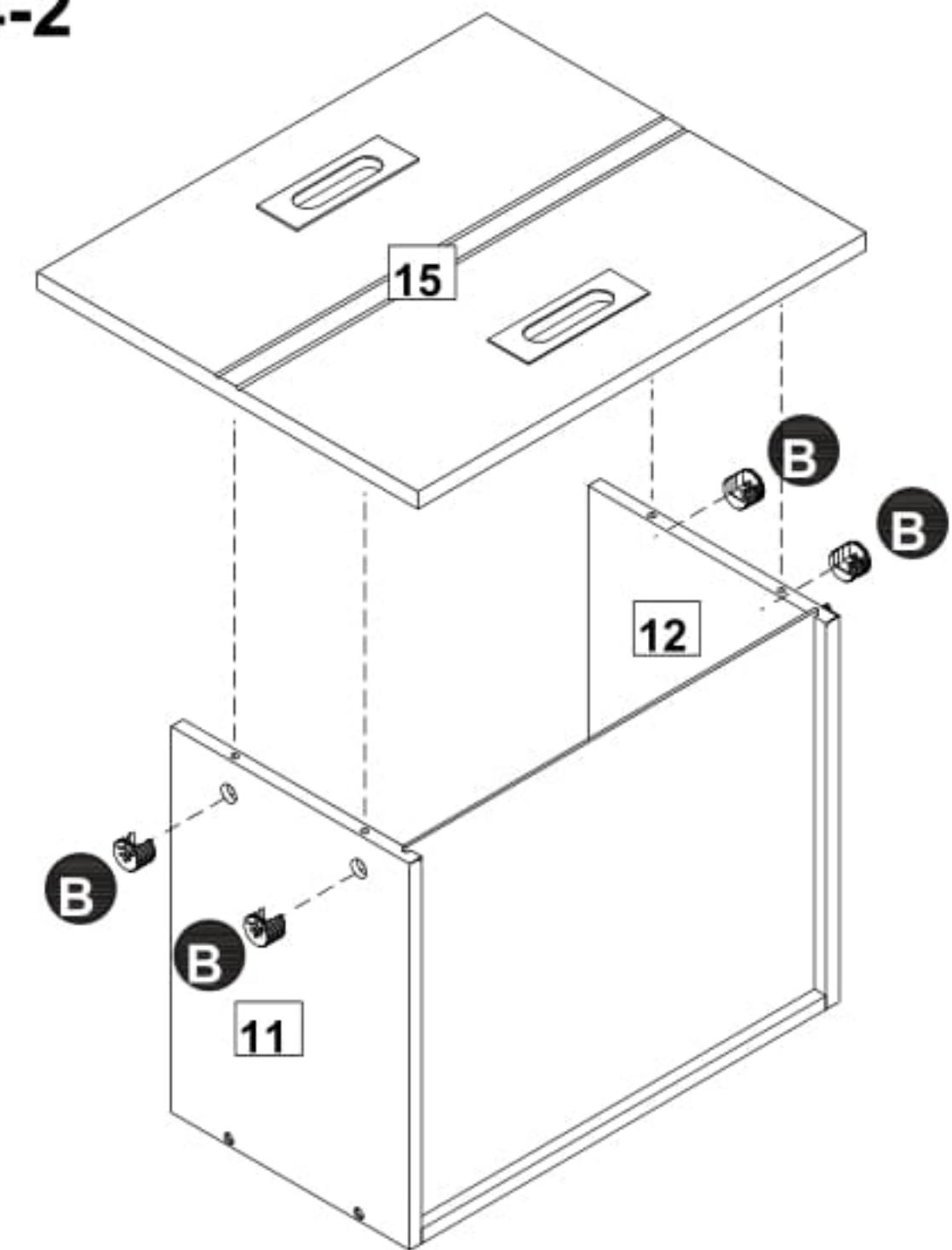
Tighten until shoulder is flush with panel. Do not overtighten or undertighten (see example below)



Step 24-1



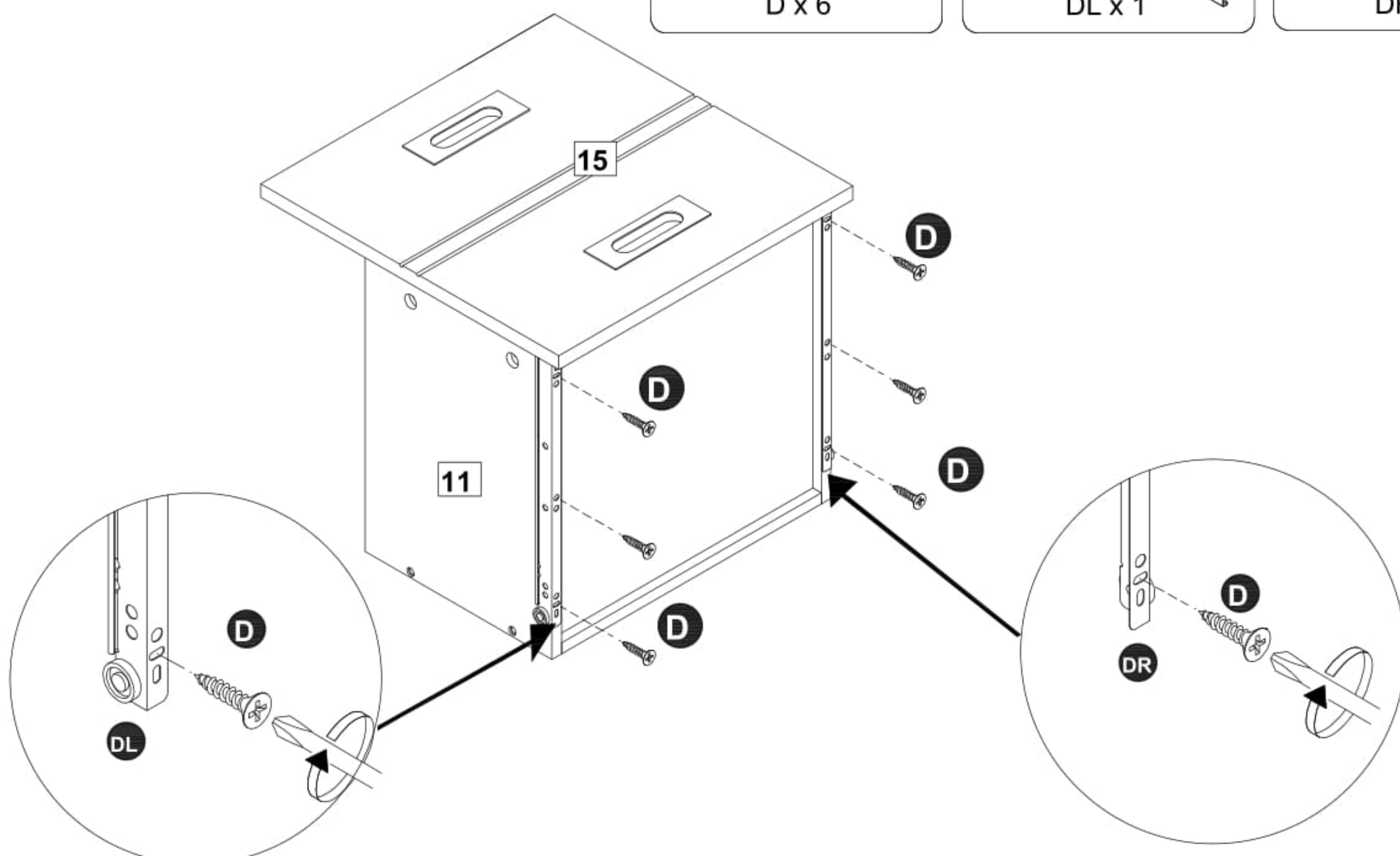
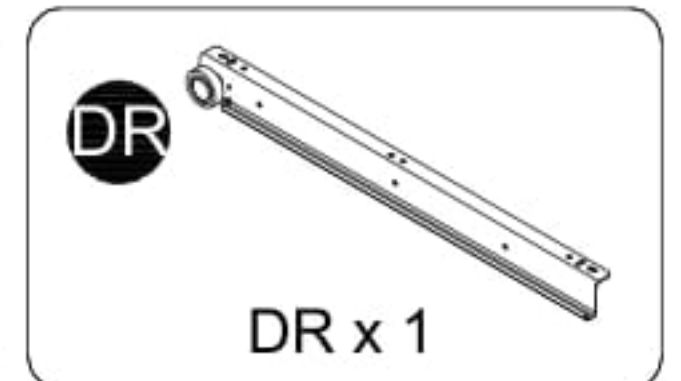
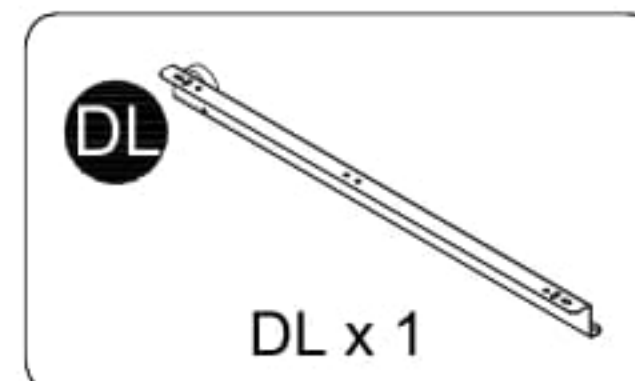
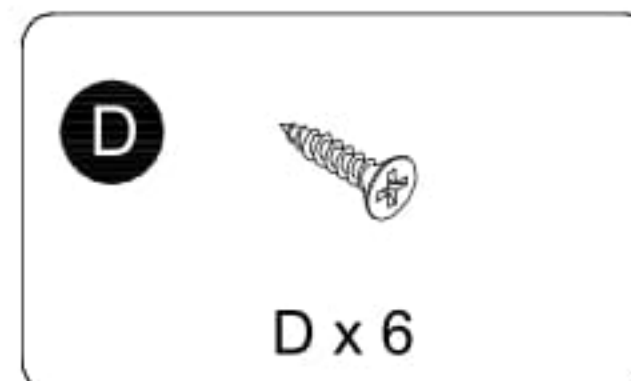
Step 24-2



24-1: Attach cam bolt (A) to part (15) with a screwdriver.

24-2: Attach part (15) to part (11, 12), then insert and secure cam lock (B) to part (11, 12) to lock it.

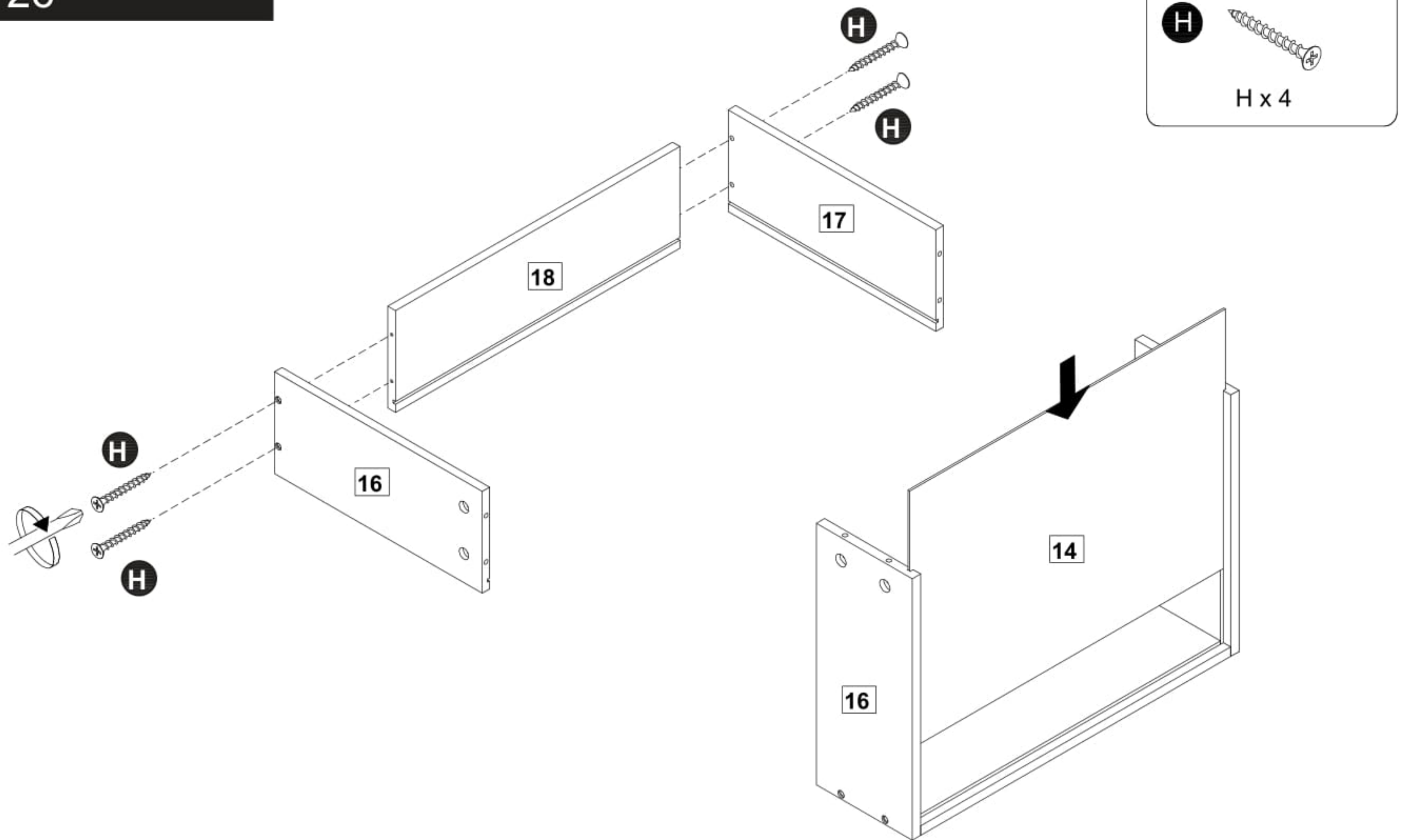
Step 25



Use screw (D) to secure slide runner (DL) to part (15) and slide runner (DR) to part (16) with a screwdriver.

Assembly Instructions

Step 26

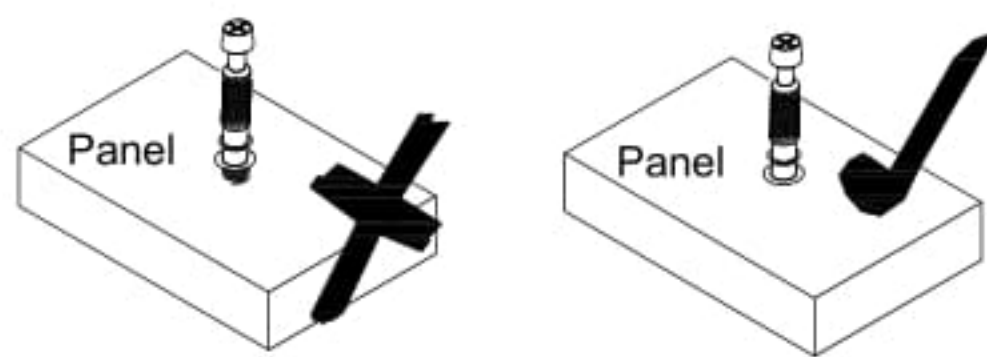
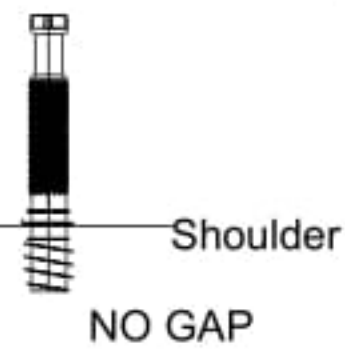


Attach part (16, 17) to part (18) using screw (H) with a screwdriver.
Slide part (14) into grooves.

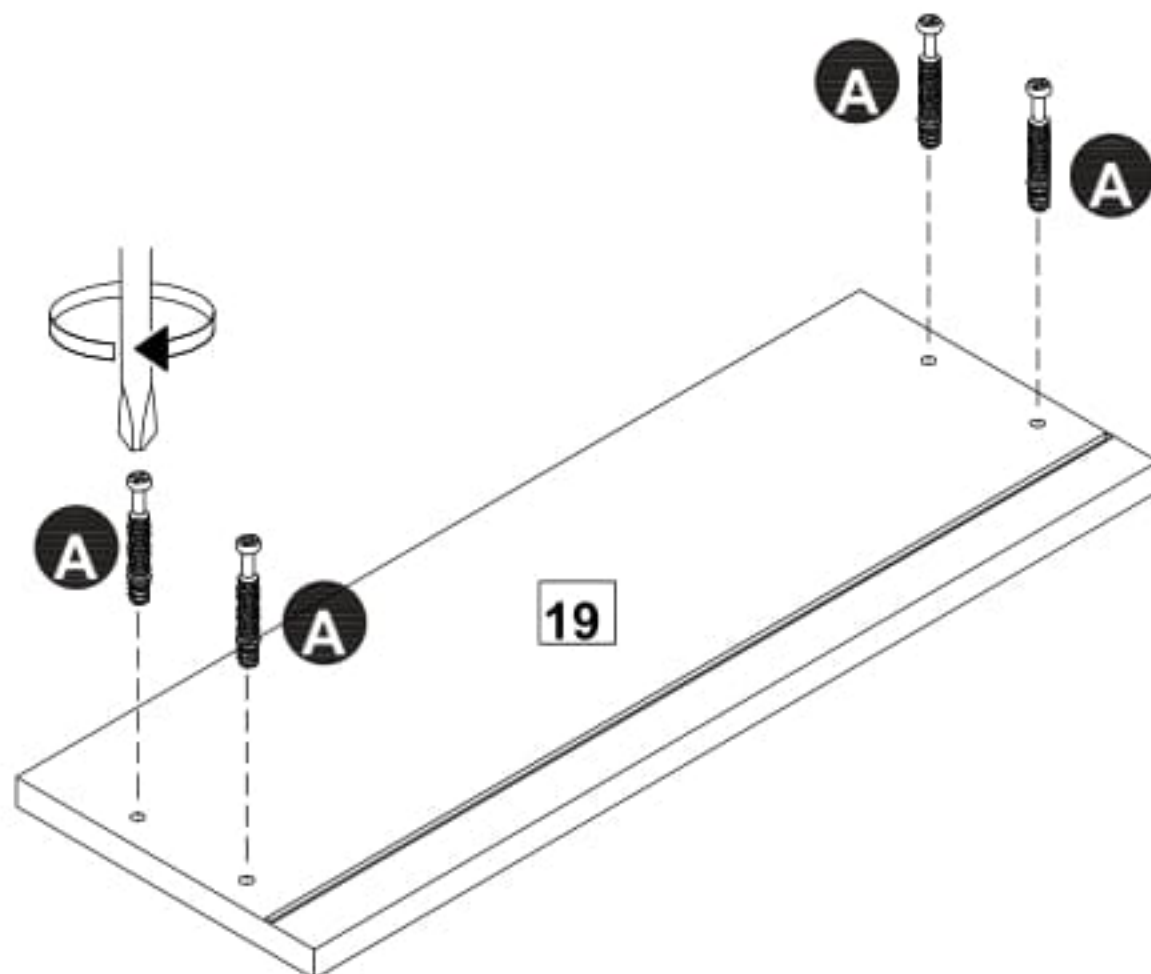
Step 27

CAM-LOCK

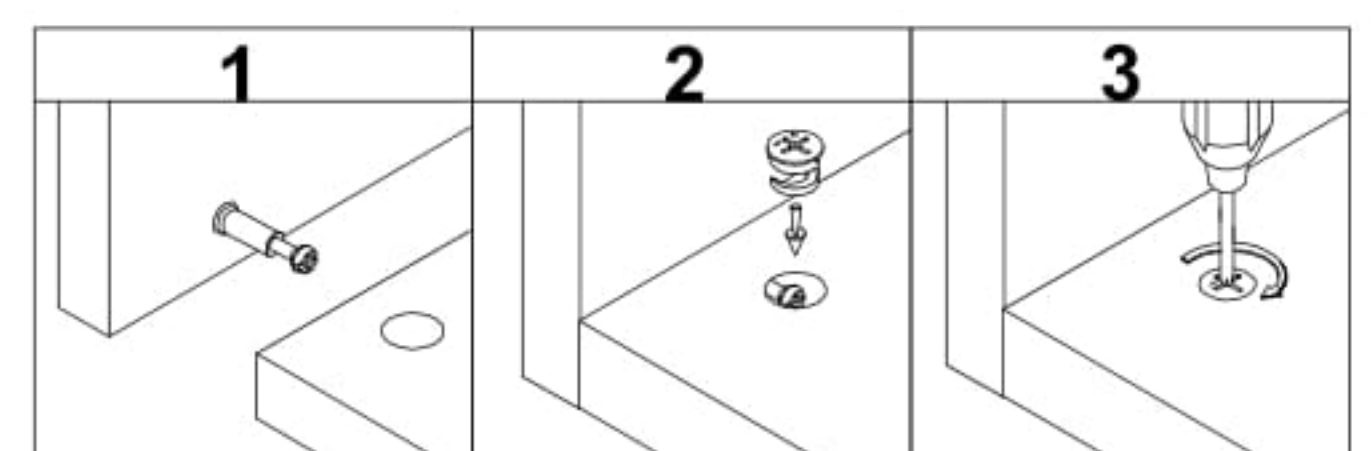
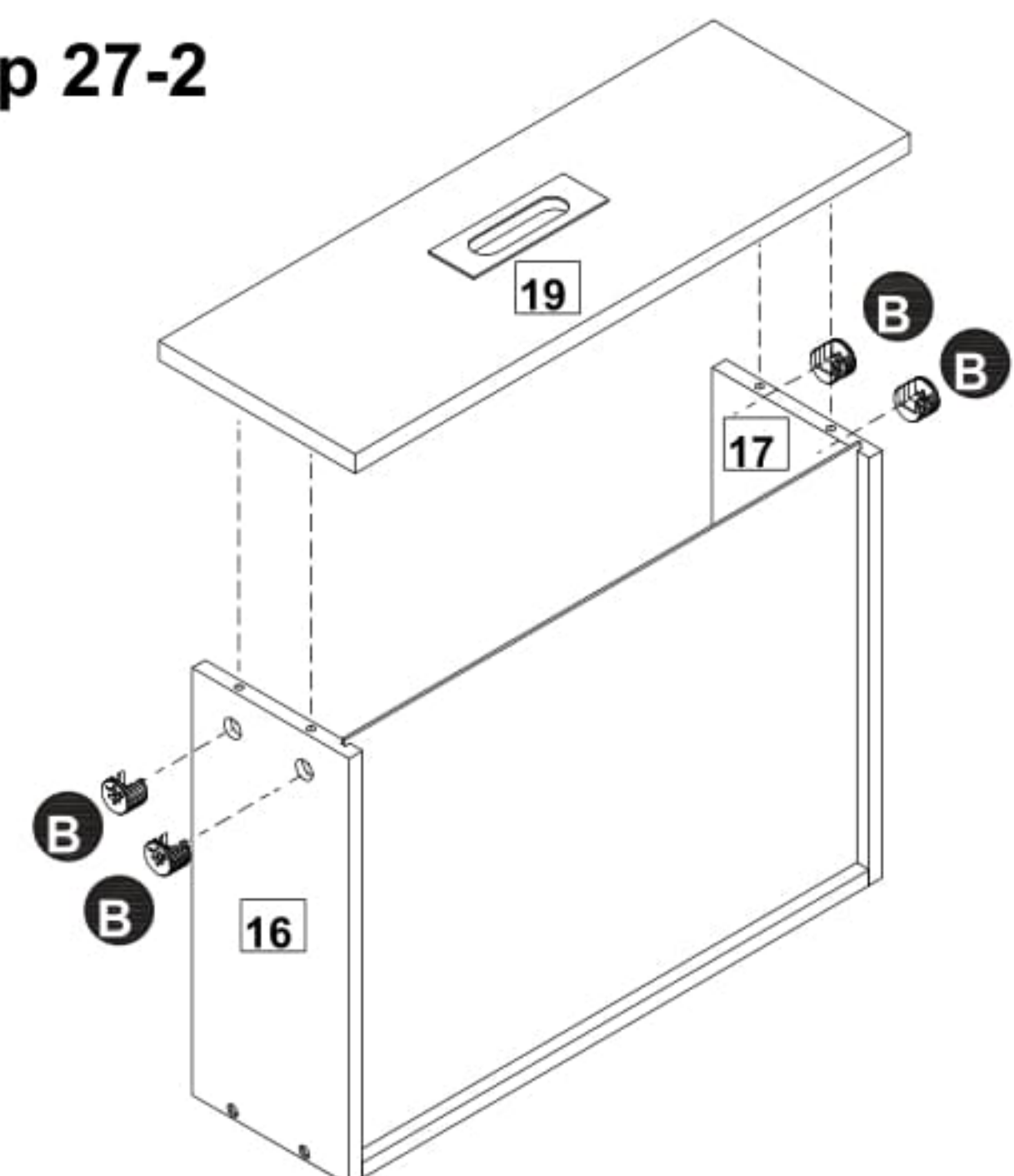
Tighten until shoulder is flush with panel. Do not overtighten or undertighten (see example below)



Step 27-1



Step 27-2

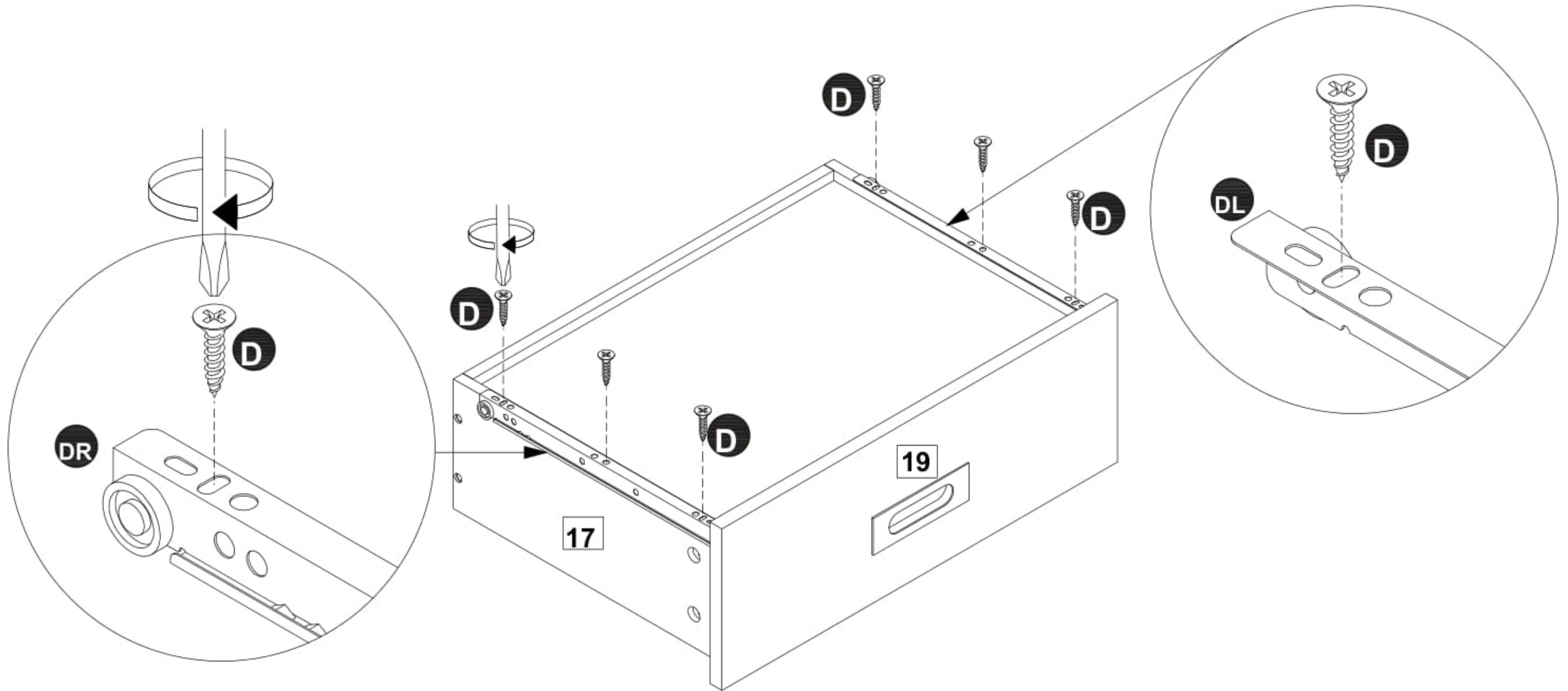
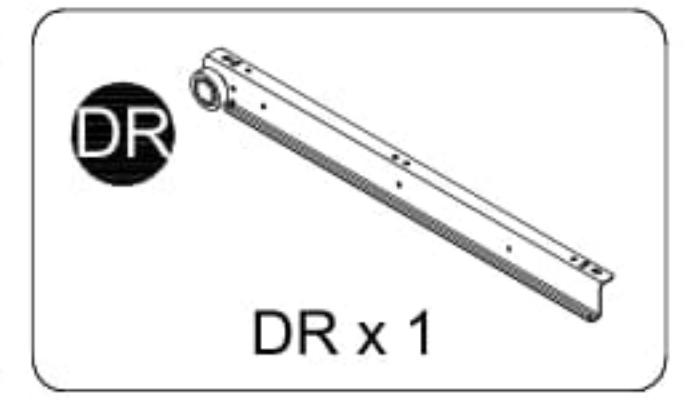
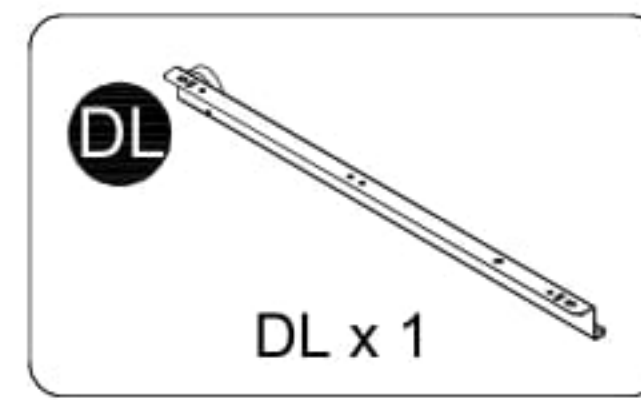
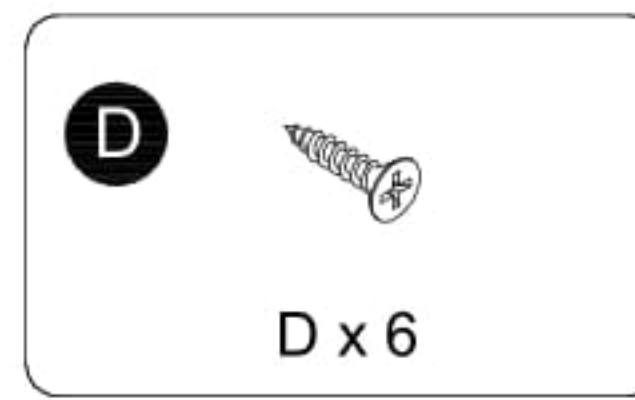


27-1: Attach cam bolt (A) to part (19) with a screwdriver.

27-2: Attach part (19) to part (16, 17), then insert and secure cam lock (B) to part (16, 17) to lock it.

Assembly Instructions

Step 28

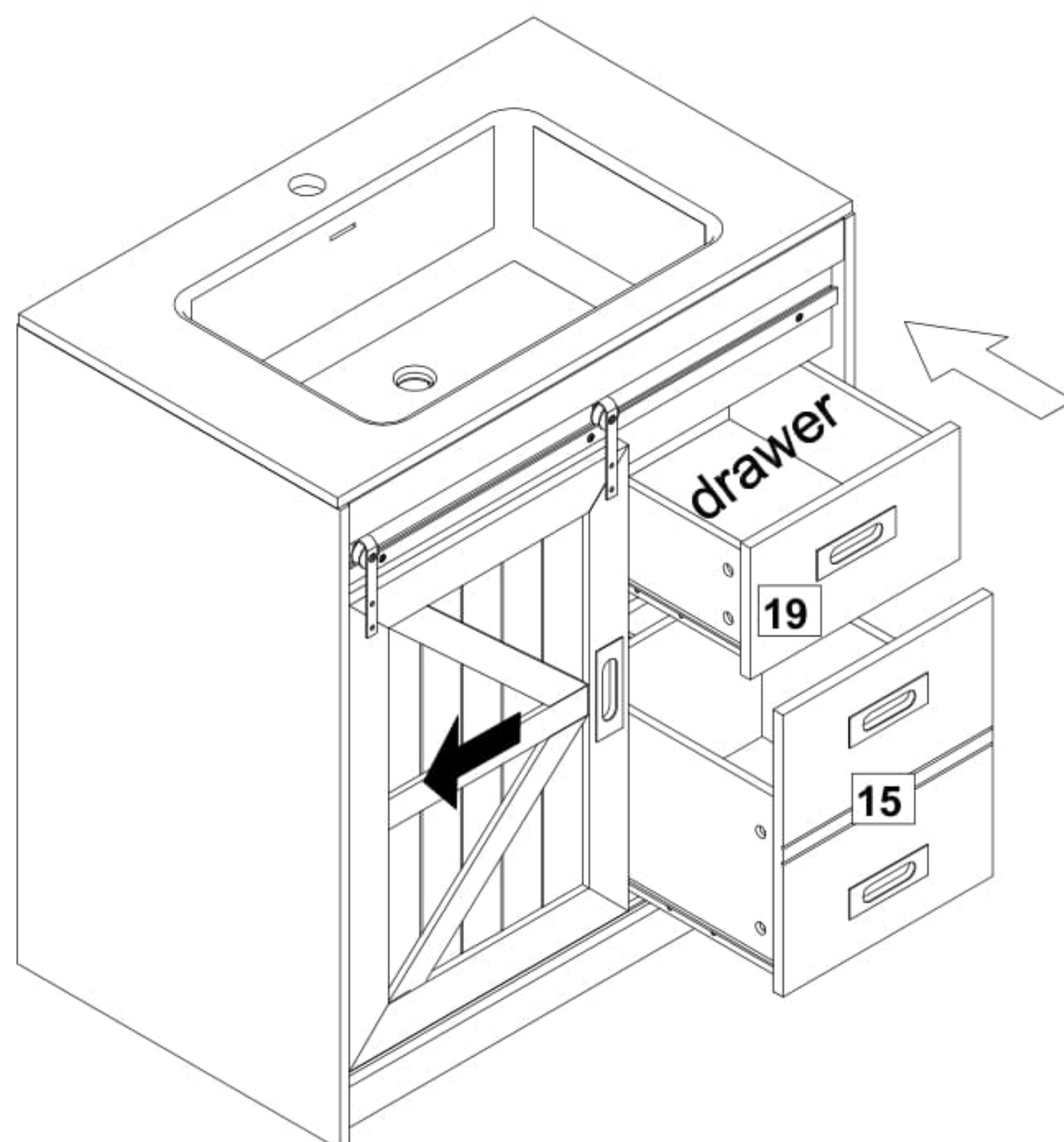


Use screw (D) to secure slide runner (DL) to part (16) and slide runner (DR) to part (17) with a screwdriver.

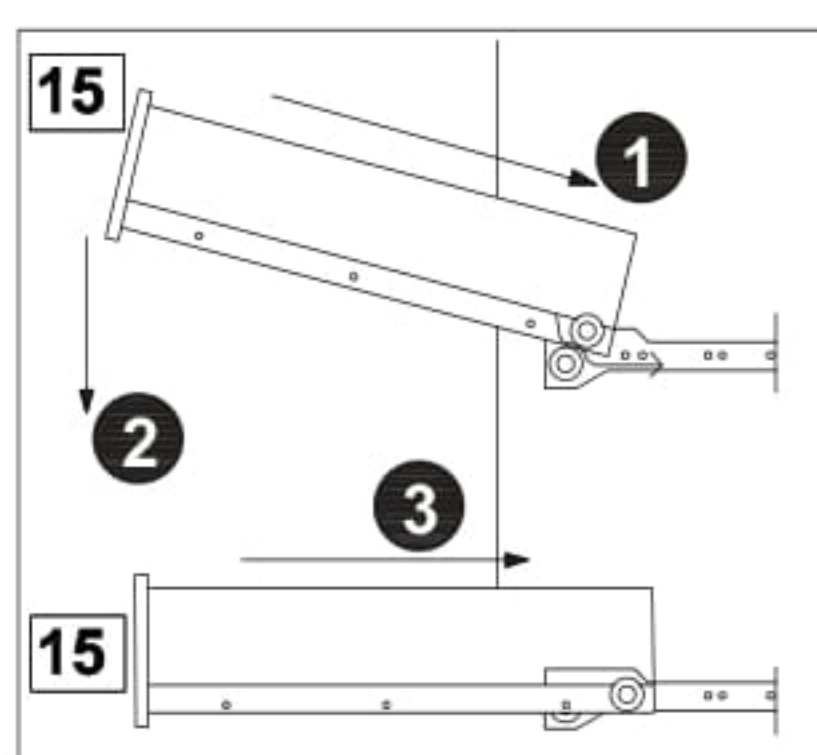
Assembly Instructions

Step 29

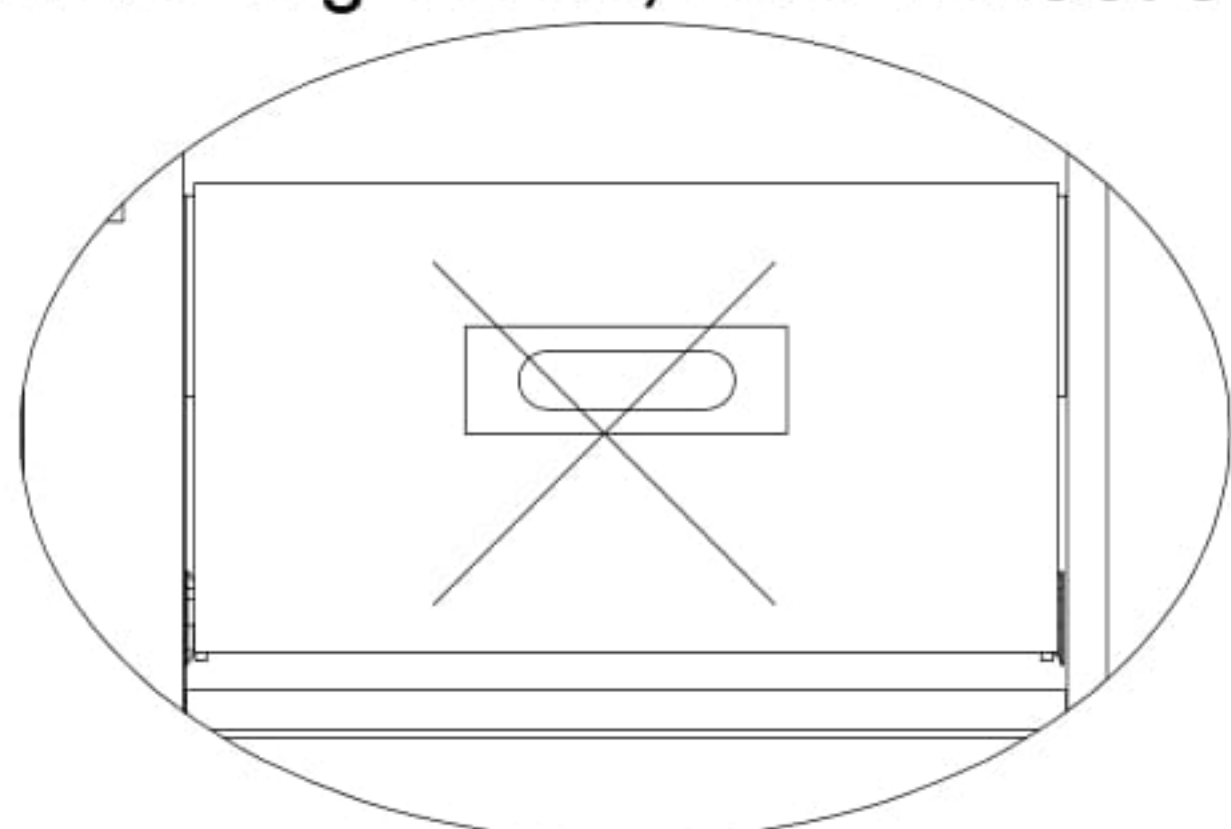
Congratulation! You've made to the last step! But don't be too thrilled yet, put on the drawer can be frustrating if you do it wrong. So, take your time and follow the steps below.



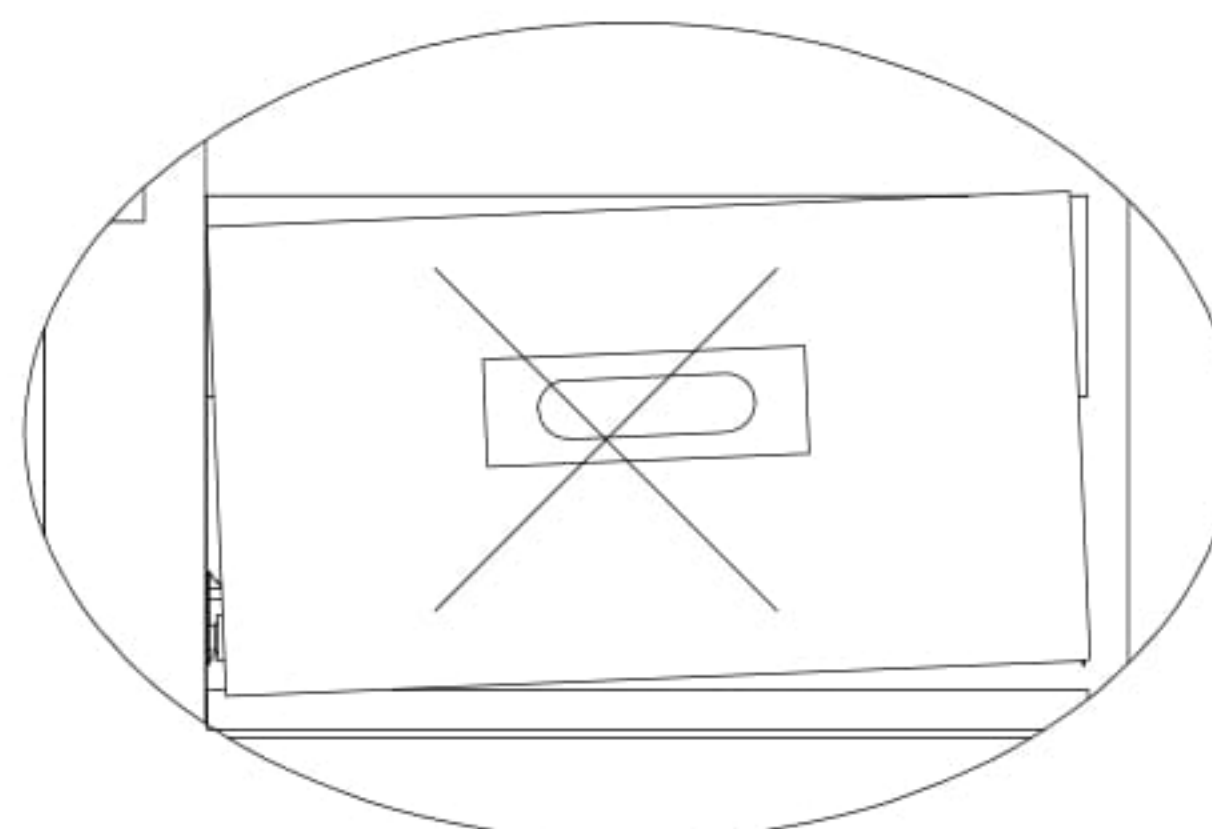
1. Please ensure that you have matched the wheels on BOTH sides of the drawer with the wheels on rails installed BEFORE push in the drawer.



2. If the following occurs, redo the last step.



(both wheels are off the rails)



(one wheel is off the rail)

A Guide to Wall Mounting & Fixings

Important note:

If plastic wall plugs (rawl plugs) are supplied with your product, e.g.:



- these are only suitable for use in masonry walls.

If you are in any doubt about the correct wall plugs for your wall, seek professional advice.


Failure of the product due to using the incorrect fixings is the responsibility of the installer.



Important: when drilling into walls always check that there are no hidden wires or pipes etc.

Make sure that the screws and wall plugs being used are suitable for **supporting your unit**. **Consult a qualified tradesperson if you are unsure.**

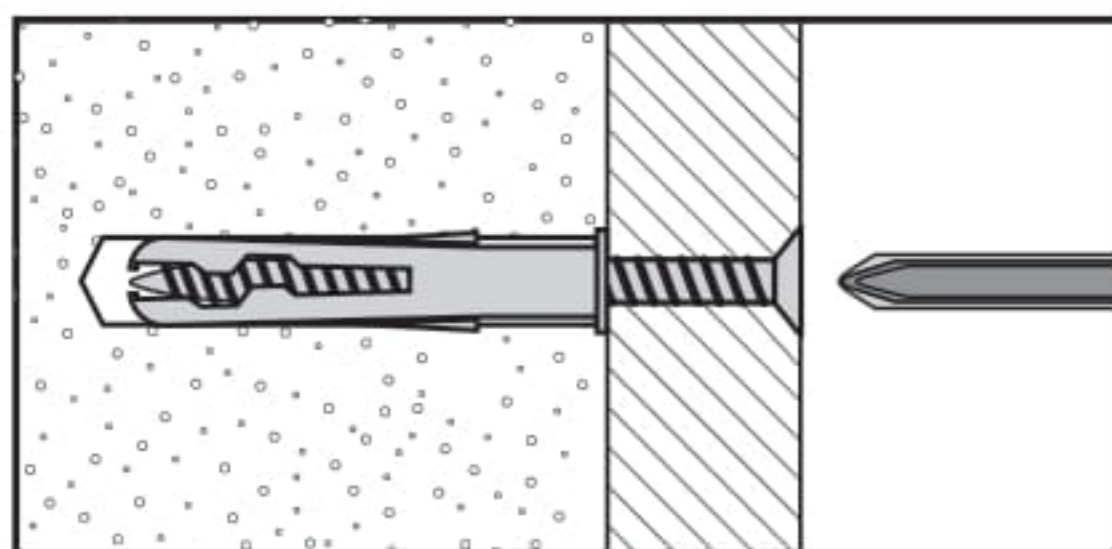
Hints:

- 1: General rule:  always use a larger screw and wall plug if you are not sure.
- 2: Ensure you use the recommended drill bit to match the wall plug and hole size.
- 3: Ensure you drill the hole horizontally; do not force the drill or enlarge the hole.
- 4: Take extra care when drilling high walls, ceilings and ceramic tiles. Ensure wall plugs are inserted beyond the thickness of the ceramic tiles to avoid the tiles splitting or cracking.
- 5: Ensure wall plugs are well fitted and are a tight fit in the drilled hole.

Types of walls

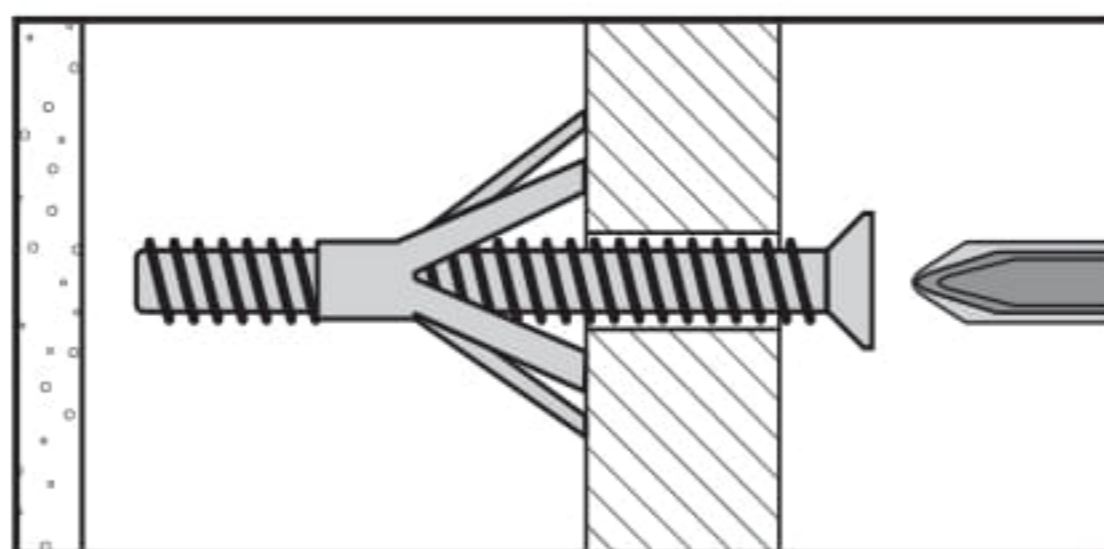
You can use one of the following types of wall plug if your walls are made of brick, breeze block, concrete, stone or wood.

No.1 "General Purpose" wall plug



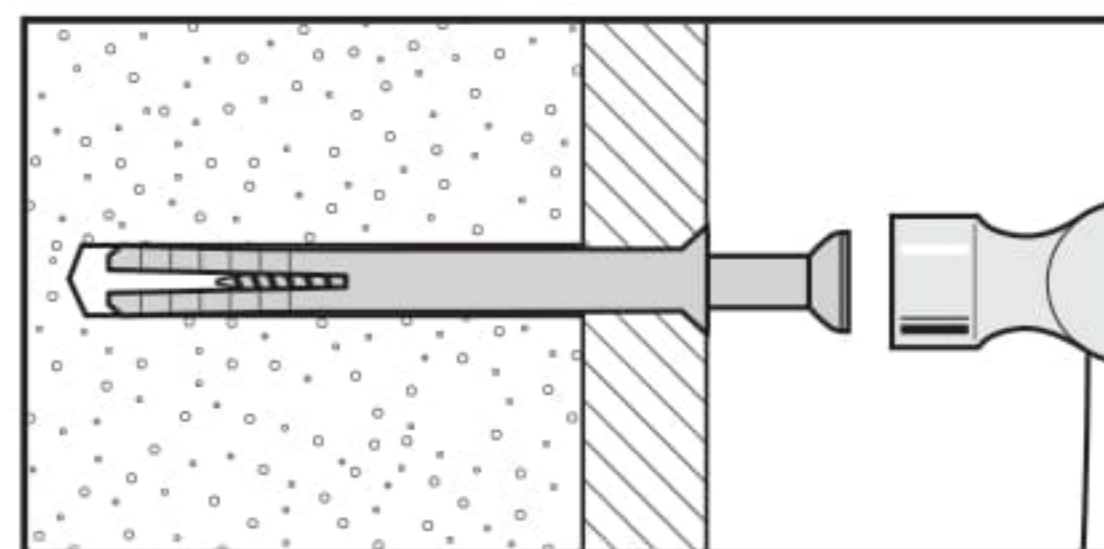
Generally aerated blocks should not be used to support heavy loads, use a specialist fitting in this case. For light loads, general purpose wall plugs can be used.

No.3 "Cavity Fixing" wall plug



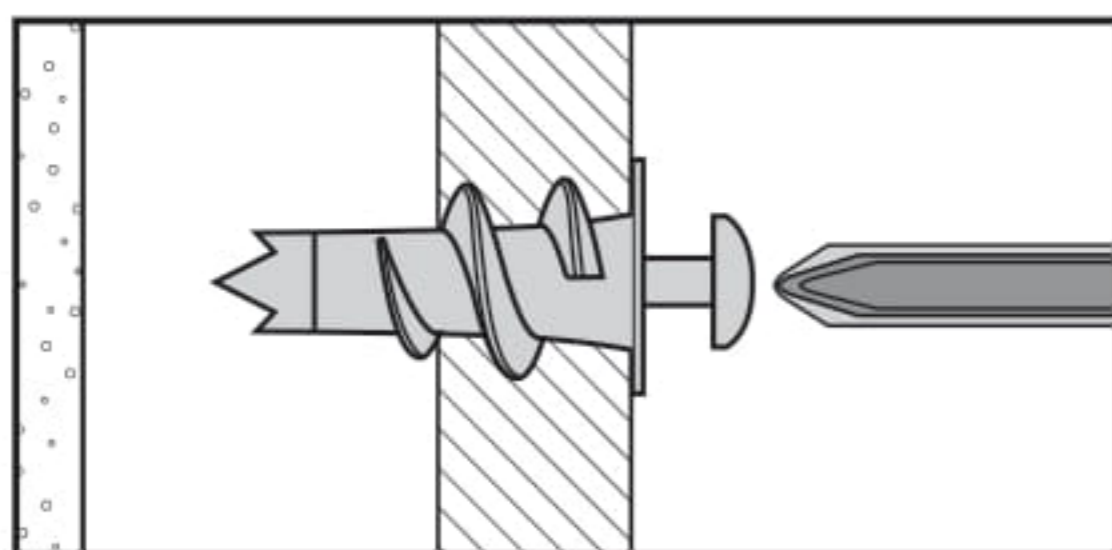
For use with plasterboard partitions or hollow wooden doors.

No.5 "Hammer Fixing" wall plug



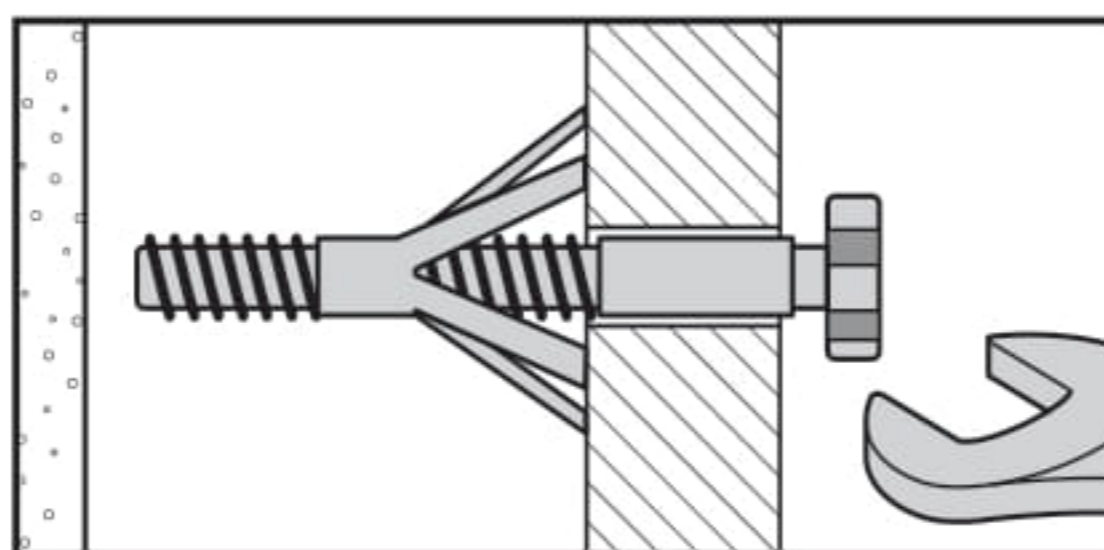
For use with walls stuck with plasterboard. The hammer fixing allows it to be fixed to the wall rather than the plasterboard. Always check the fixing is secure to the retaining wall.

No.2 "Plasterboard" wall plug



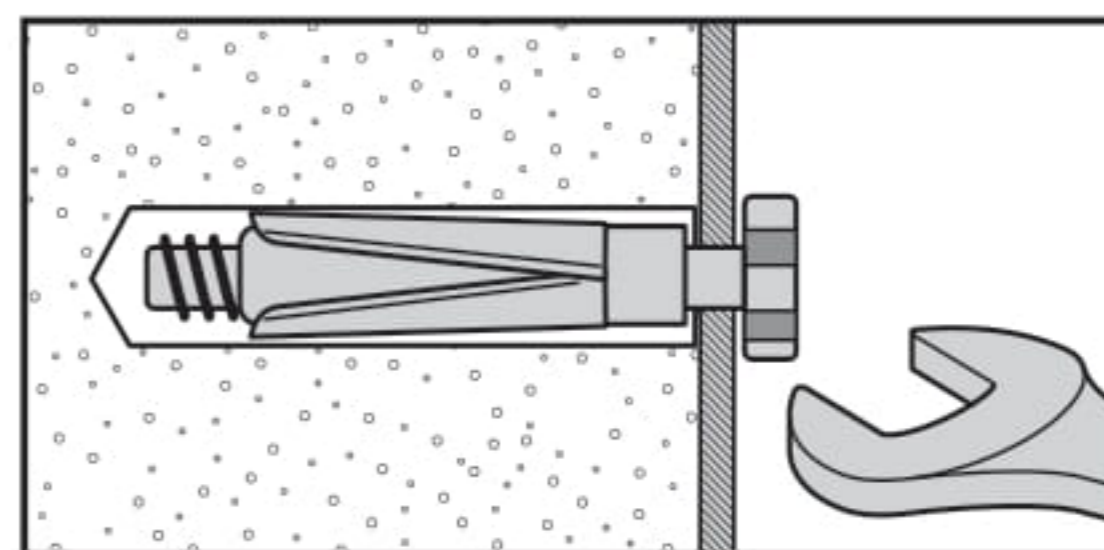
For use when attaching light loads onto plasterboard partitions.

No.4 "Cavity Fixing - Heavy Duty" wall plug



For use when fitting or supporting heavy loads such as shelving, wall cabinets and coat racks.

No.6 "Shield Anchor" wall plug - heavy loads



For use with heavier loads such as TV and HiFi speakers and satellite dishes etc.



Care & Maintenance

Safety: always check the fitting and location to ensure your safety in and around the home.

Fitting: from time to time check the fitting to ensure the wall plugs or screws do not become loose.