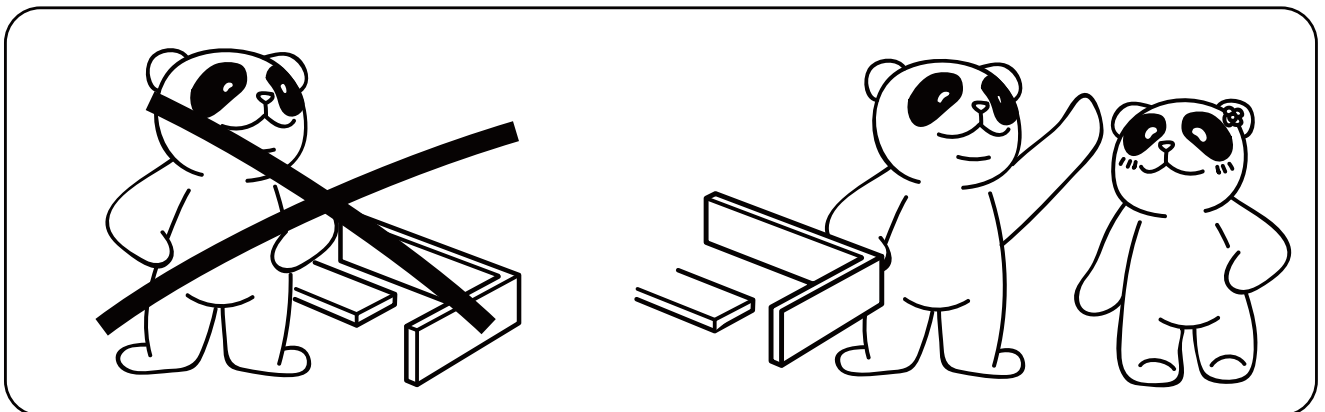
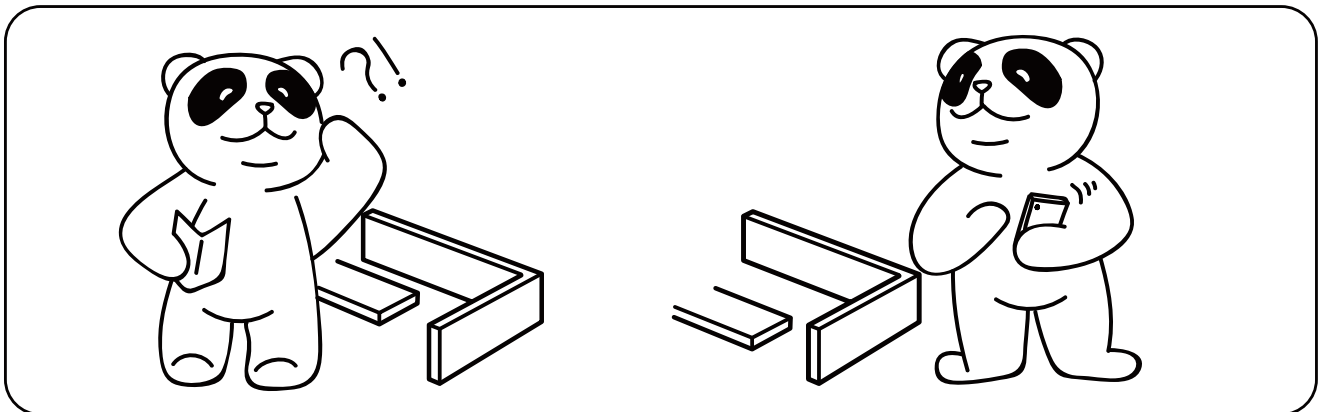
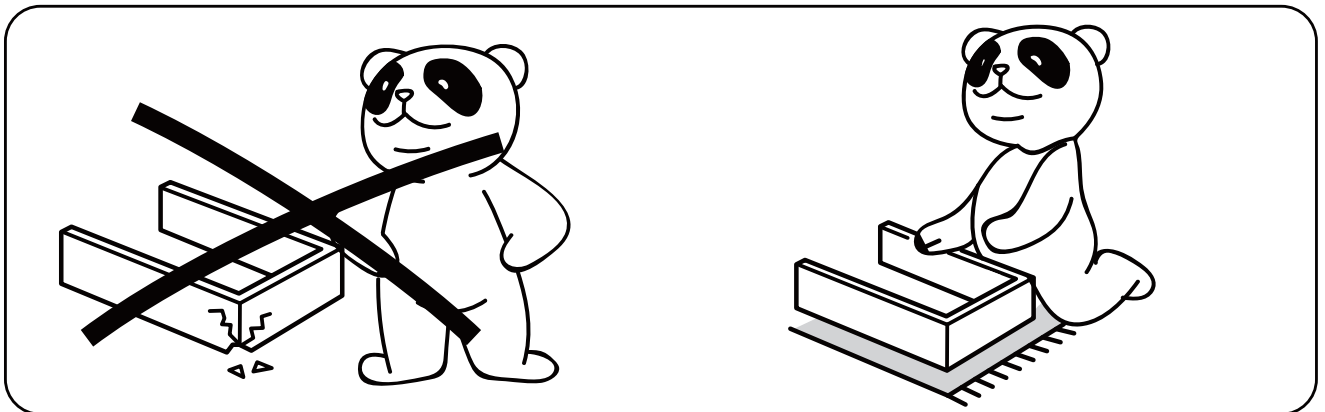
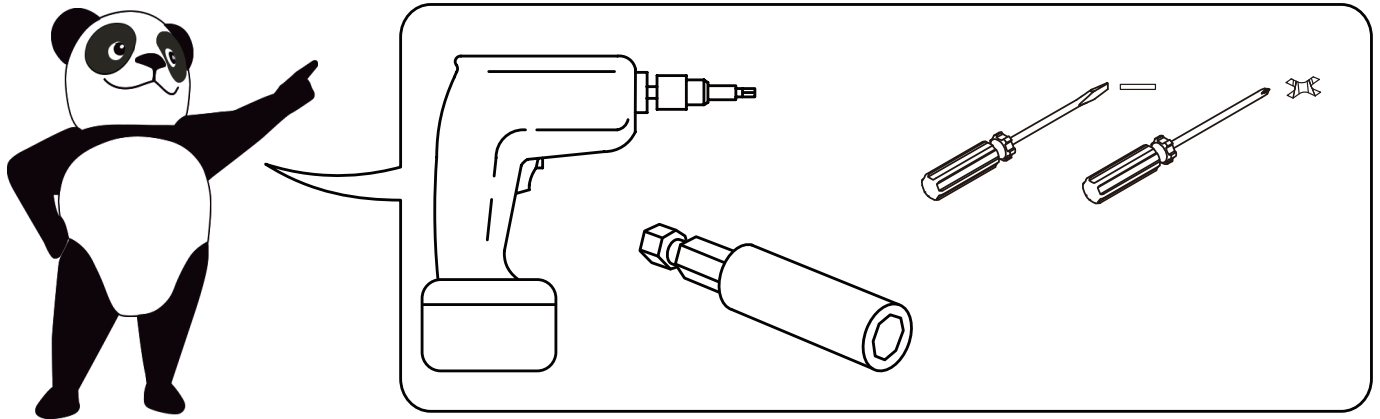


12MM

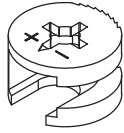


# Installation Parts



**A**

x18(+1)  
Ø6x35mm



**B**

x18(+1)  
Ø15x10mm



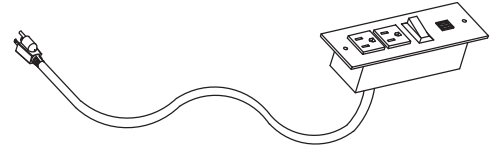
**C**

x14(+1)  
Ø6x30mm



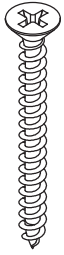
**D**

x2  
Ø3.5x12mm



**E**

x1



**F**

x8  
Ø4x35mm



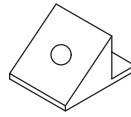
**G**

x36(+3)  
Ø3x12mm



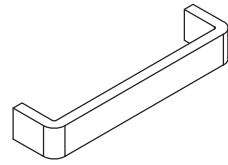
**H**

x8  
Ø3x16mm



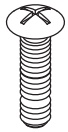
**I**

x8



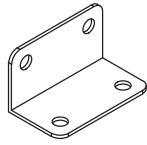
**J**

x2



**K**

x4



**L**

x4



**CL-1**

x1  
L250mm



**CR-1**

x1  
L250mm



**DR-1**

x1  
L250mm



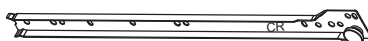
**DL-1**

x1  
L250mm



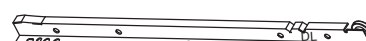
**CL-2**

x1  
L300mm



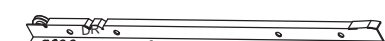
**CR-2**

x1  
L300mm



**DL-2**

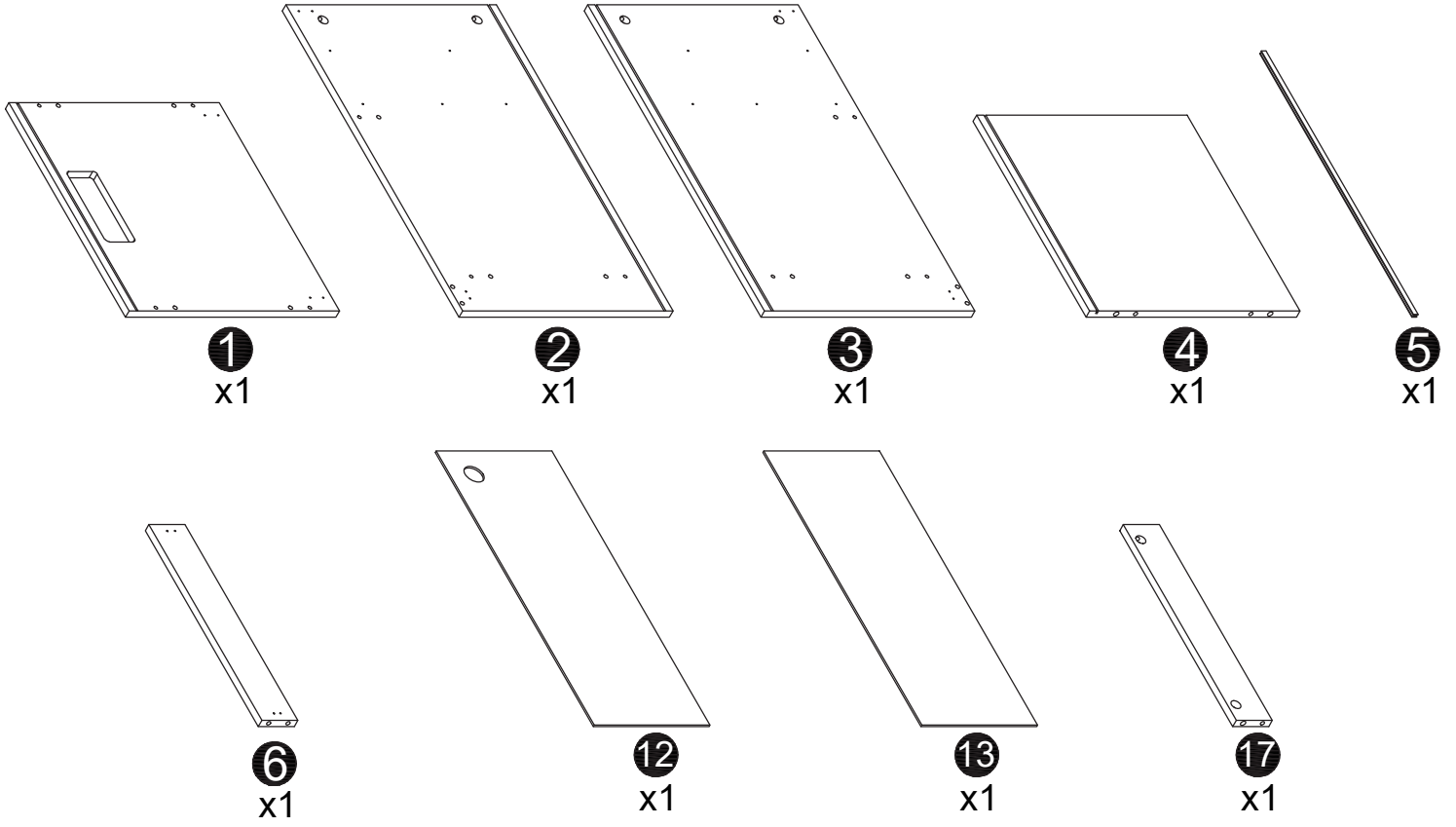
x1  
L300mm



**DR-2**

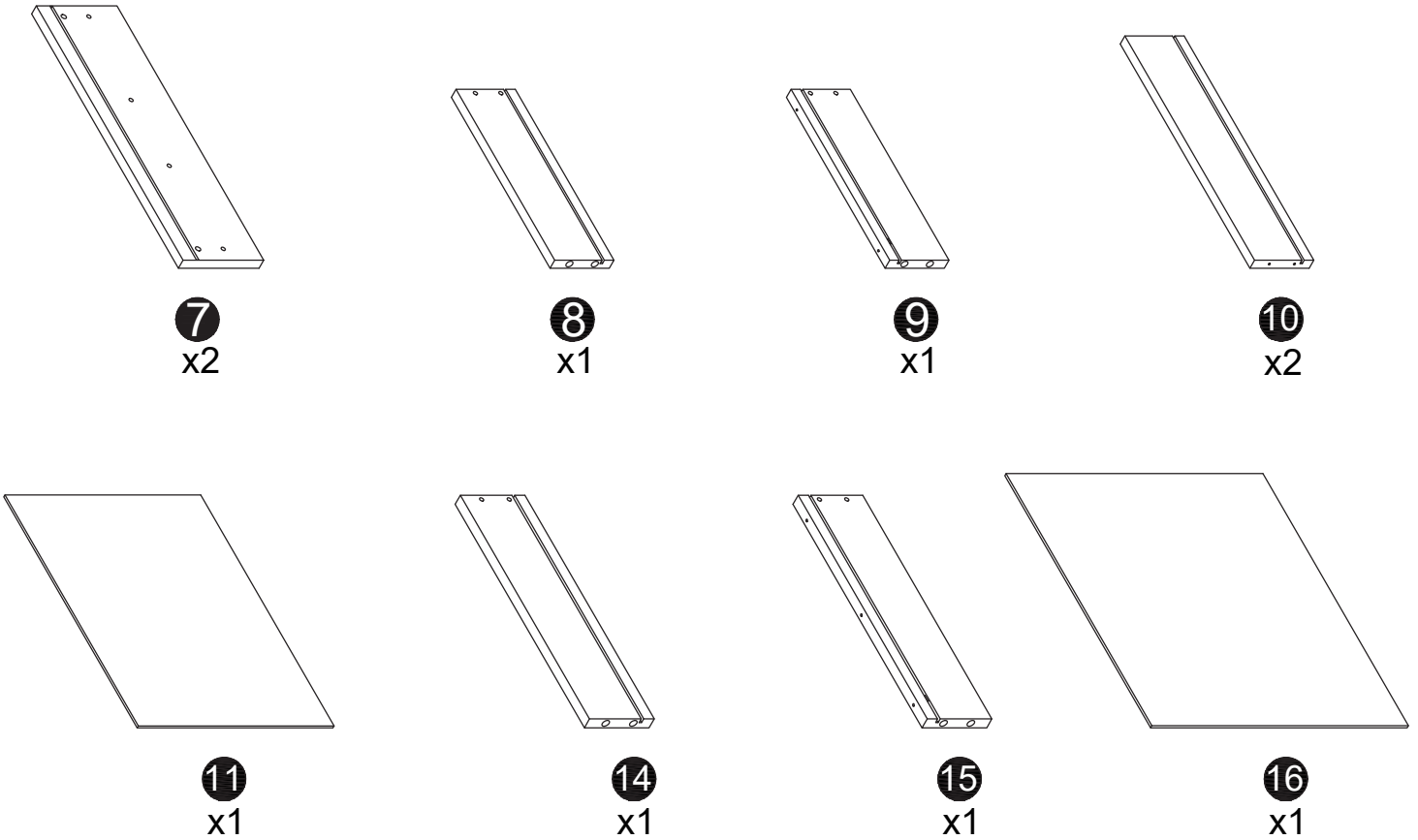
x1  
L300mm

# Mounting frame



---

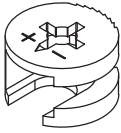
# Drawer



# Mounting frame



**A**  
x10



**B**  
x10



**C**  
x14



**D**  
x2



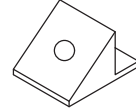
**E**  
x1



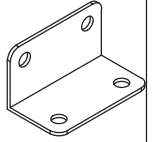
**G**  
x26



**H**  
x8



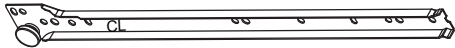
**I**  
x8



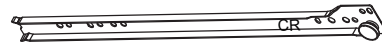
**L**  
x4



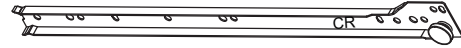
**CL-1**  
x1



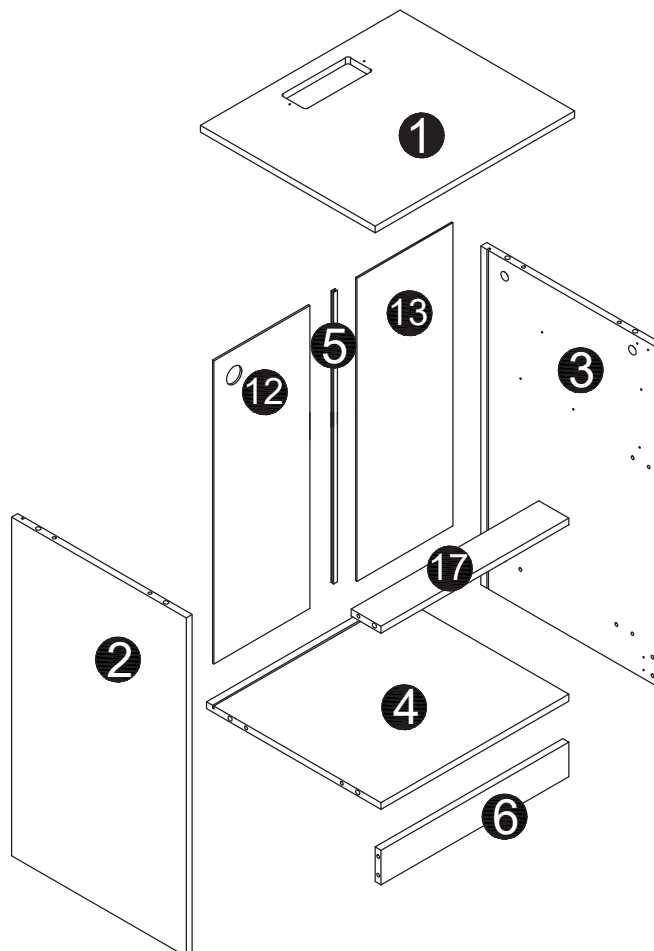
**CL-2**  
x1



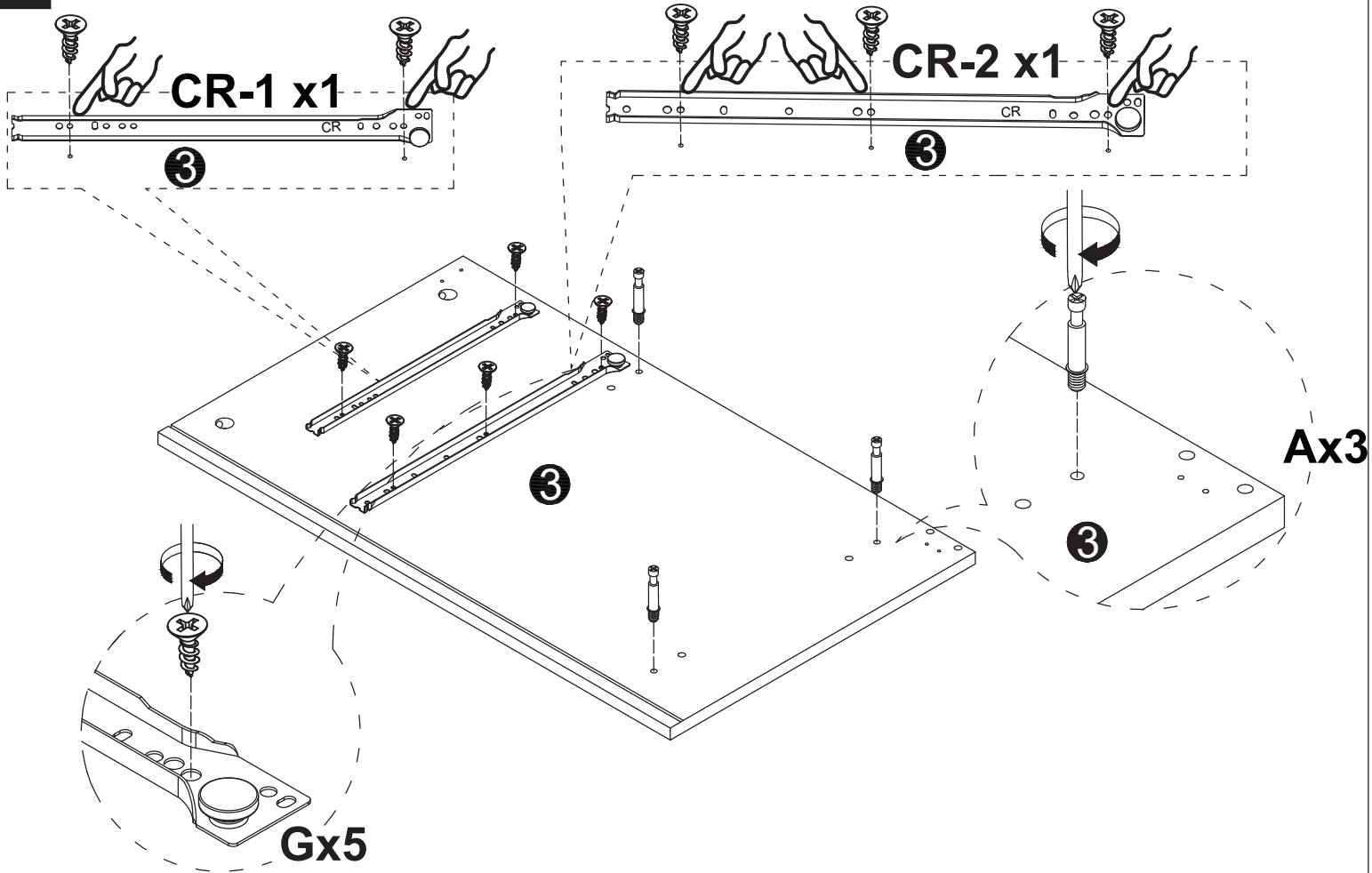
**CR-1**  
x1



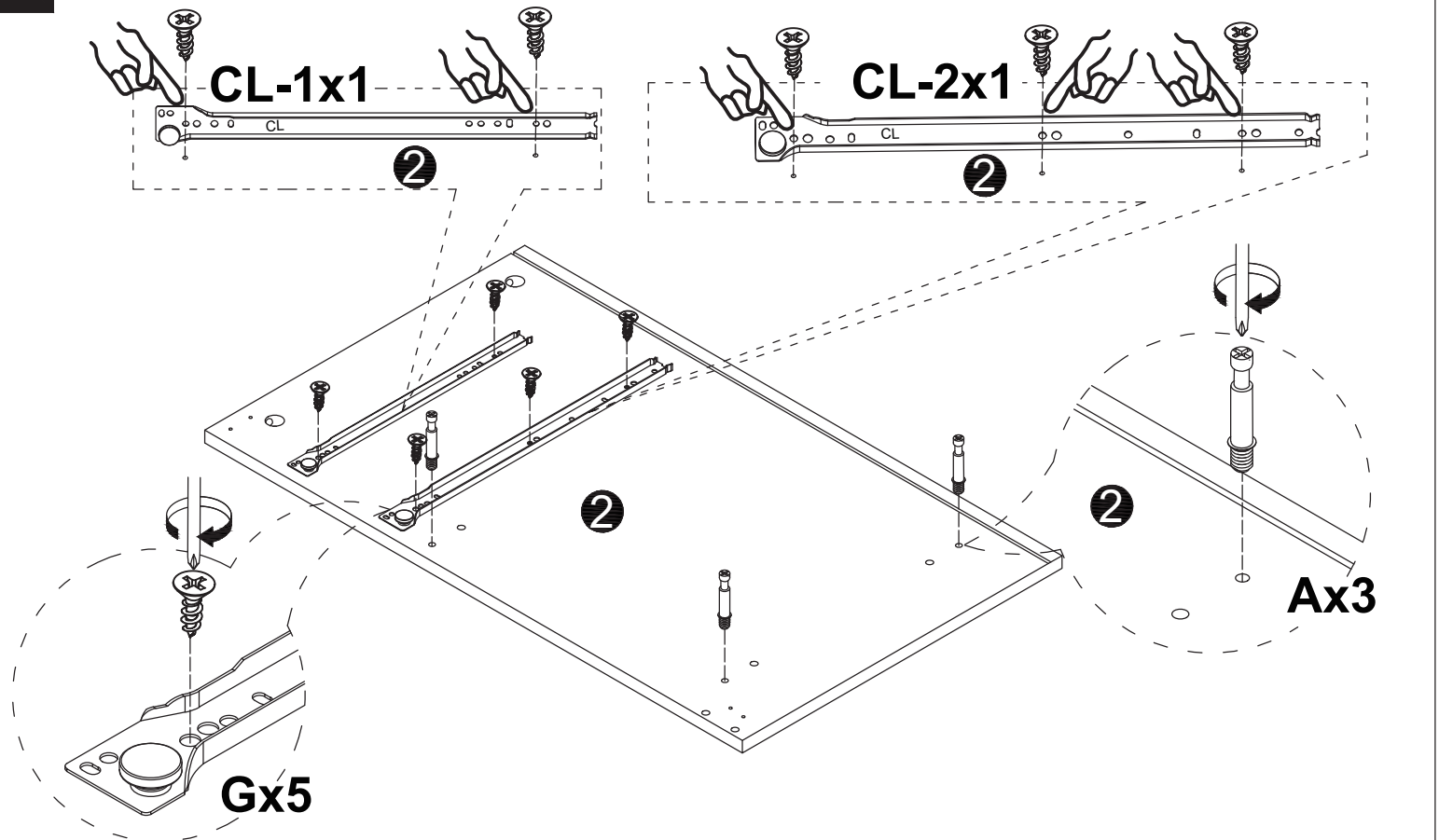
**CR-2**  
x1



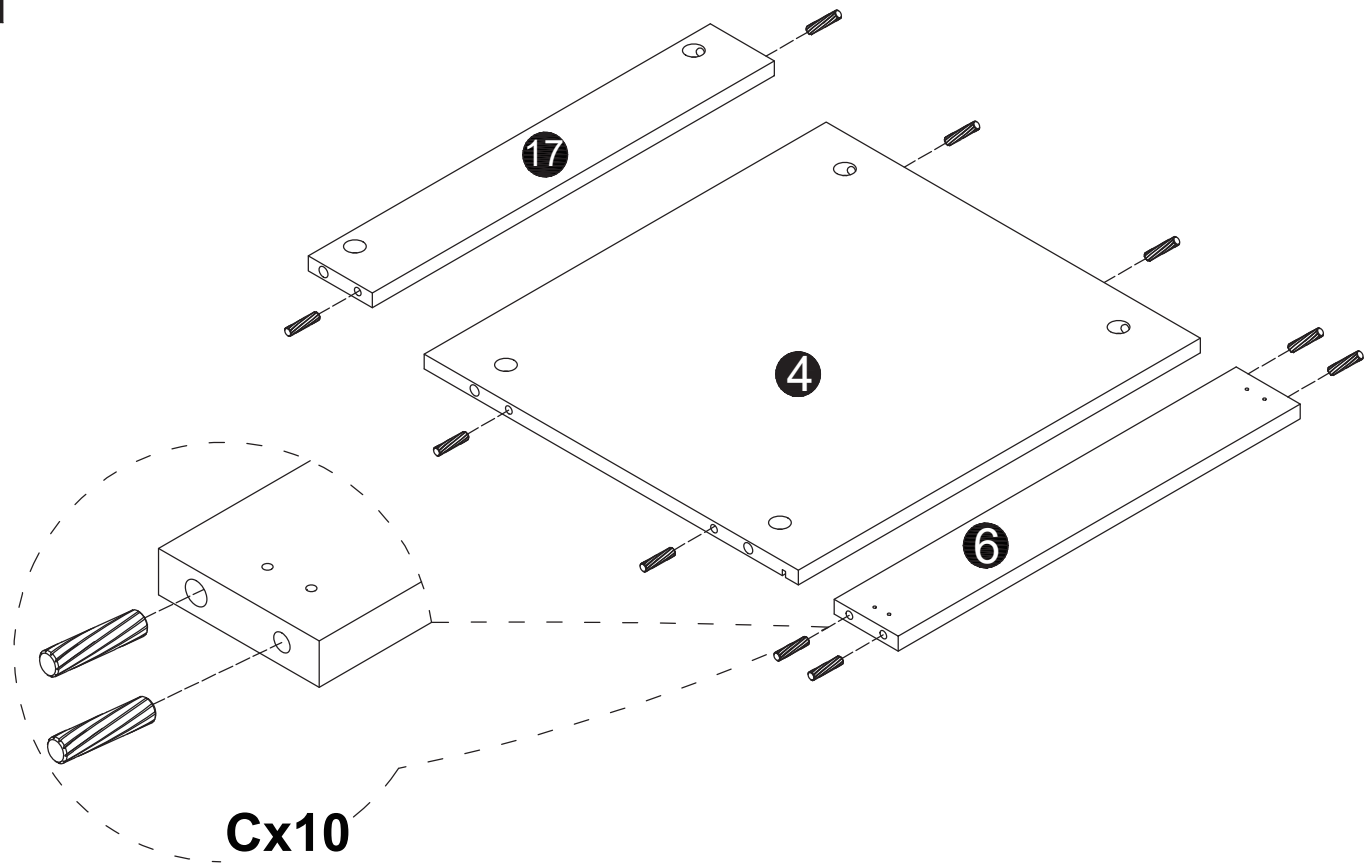
1



2

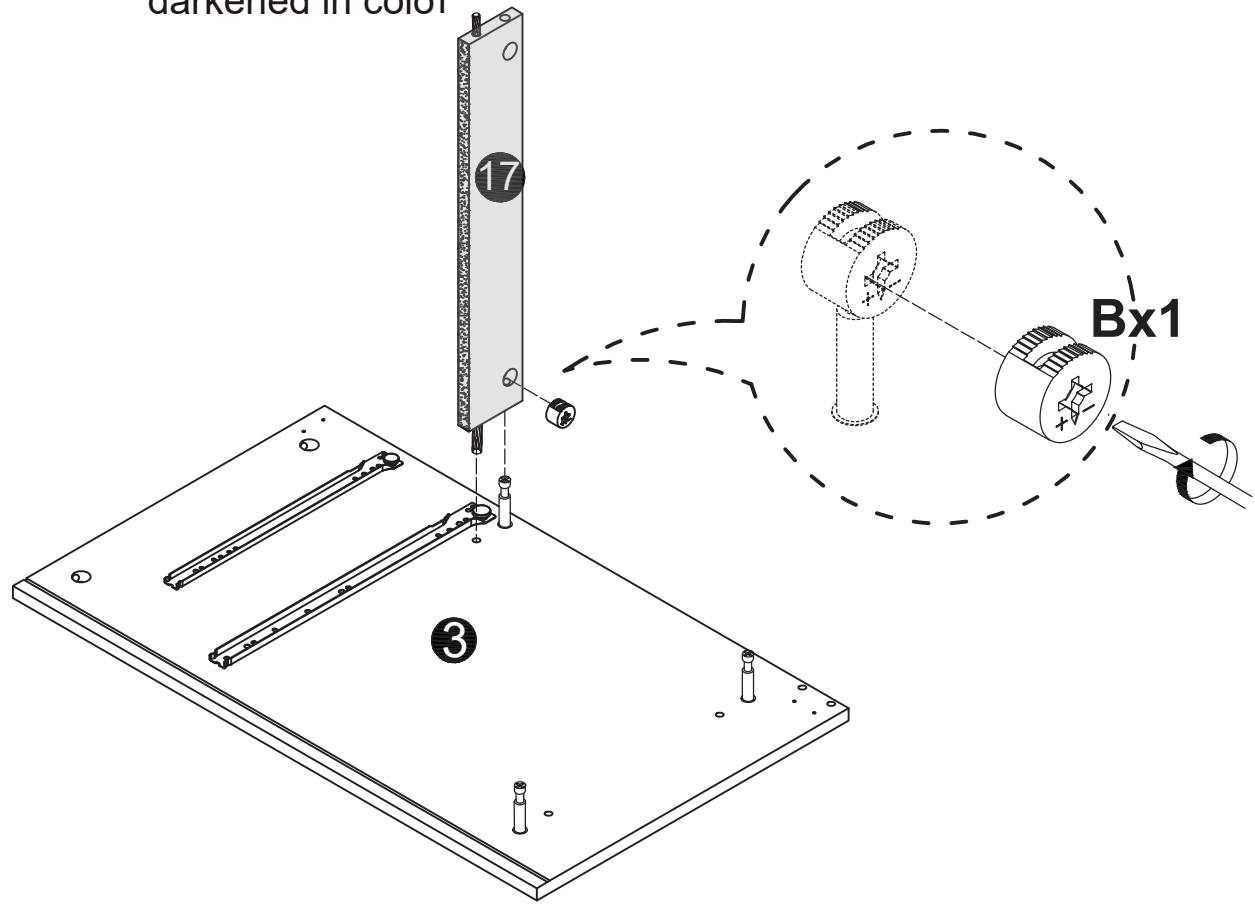


**3**

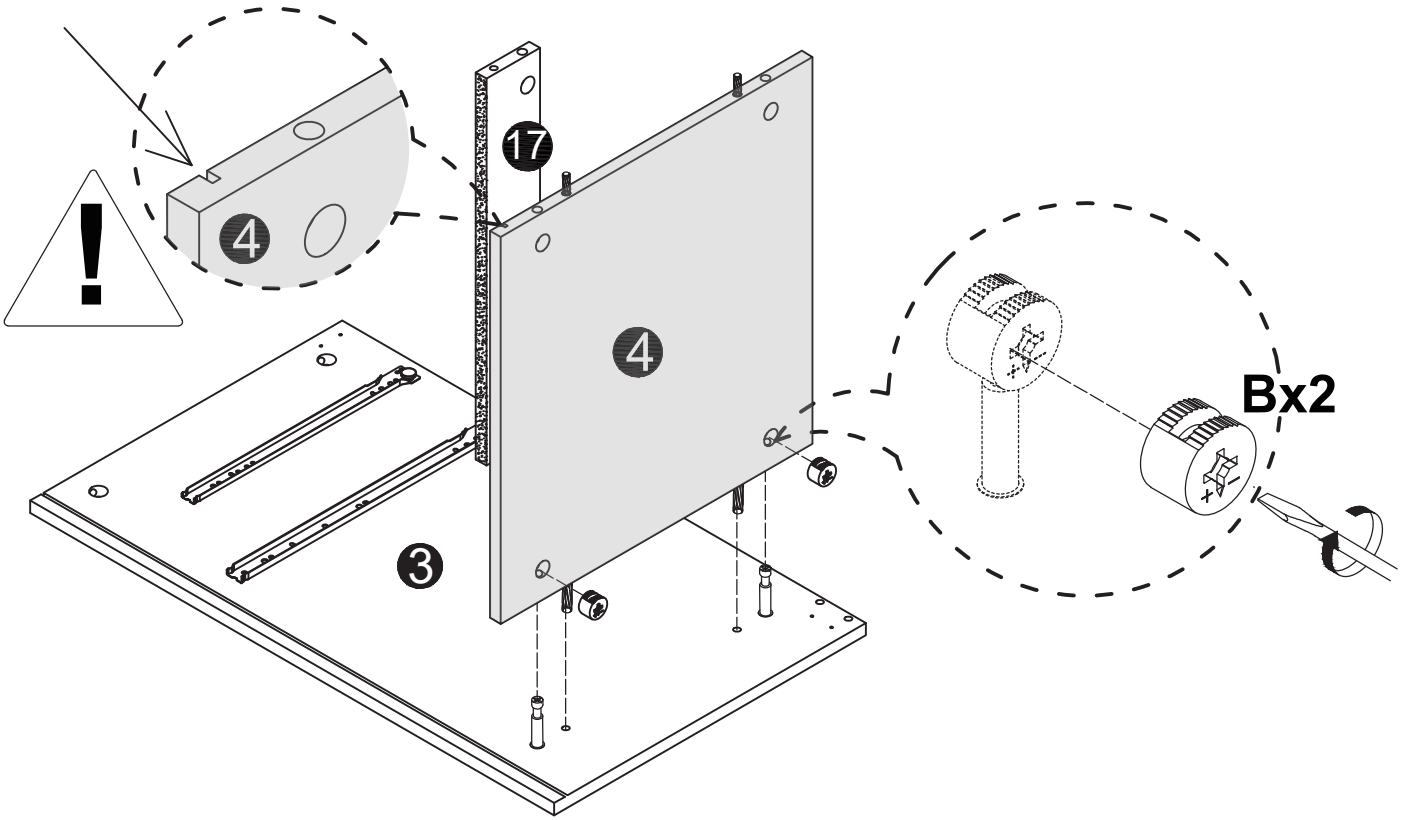


**4**

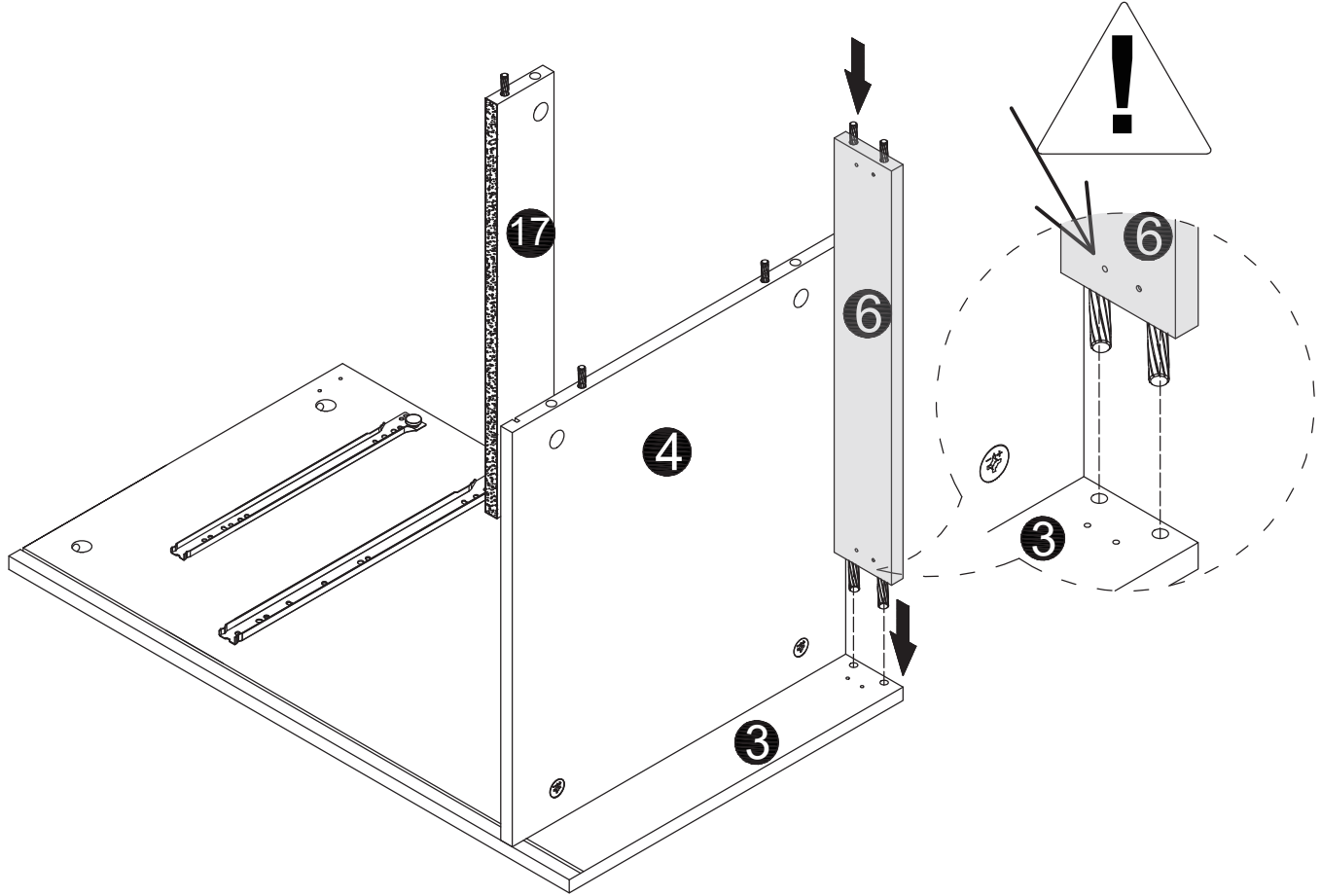
NOTE: The board to be installed in the current step is darkened in color



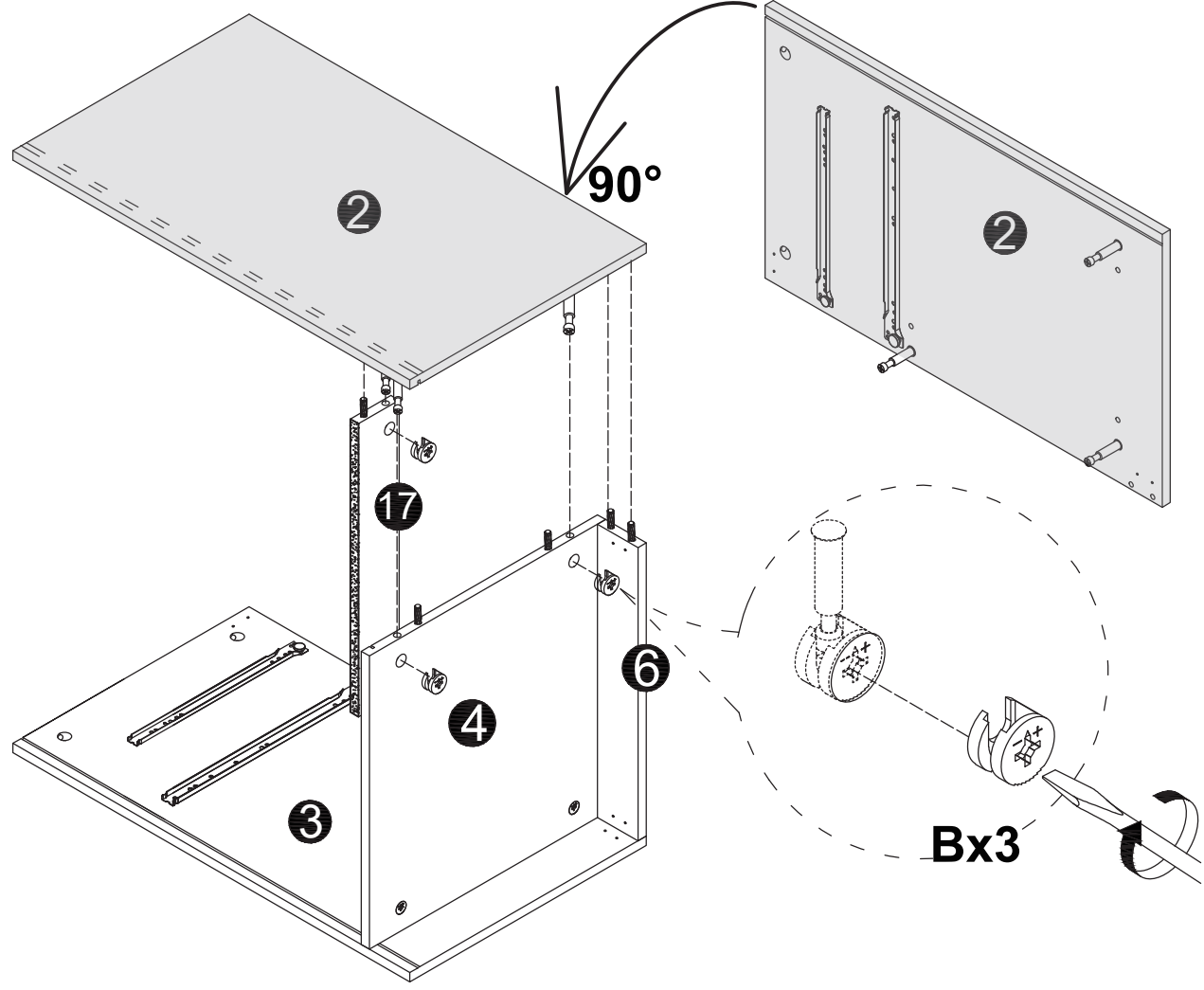
5



6

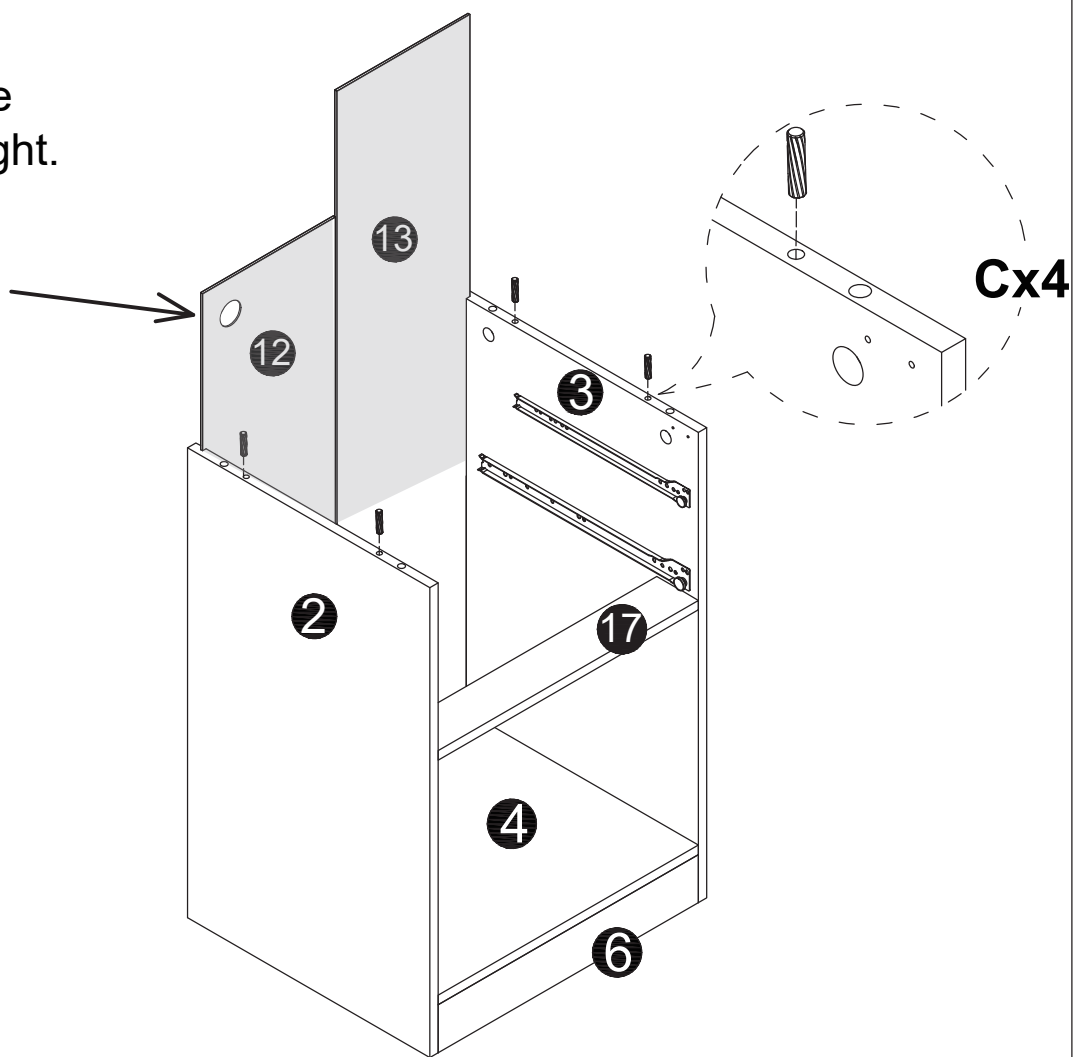


7

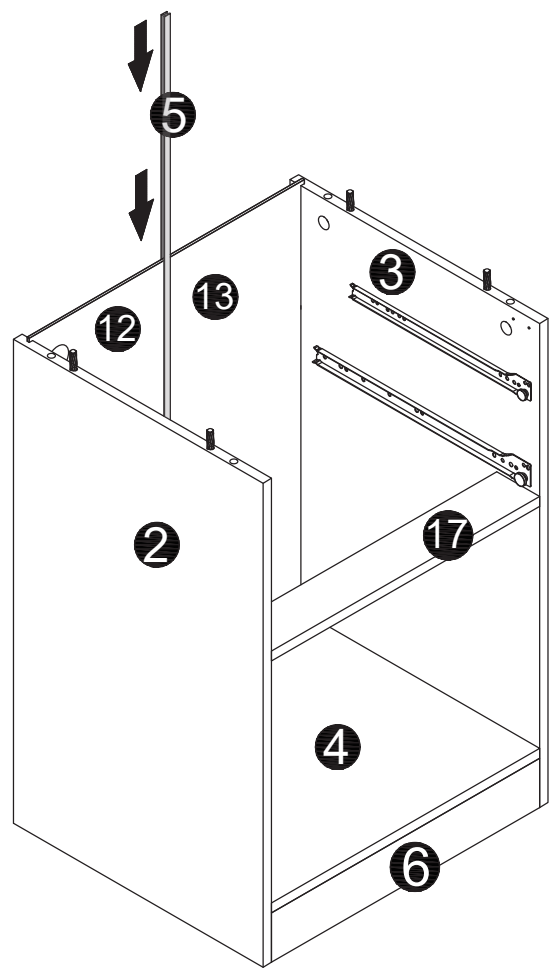


8

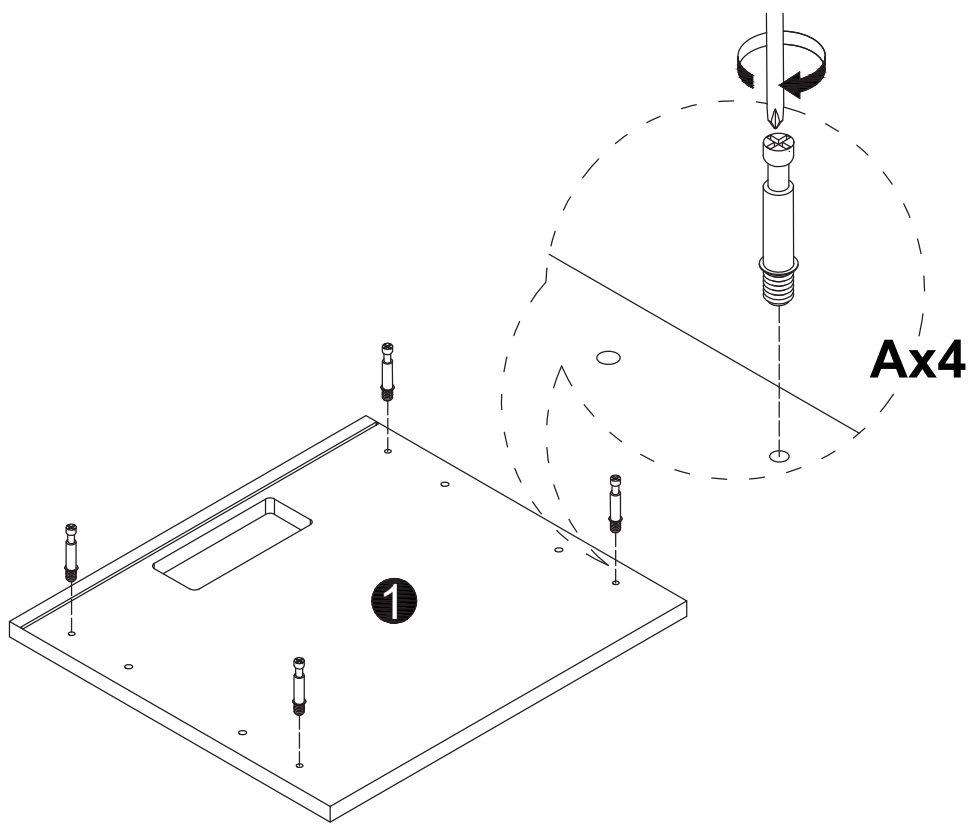
Plates 12 and 13 can be interchanged left and right.



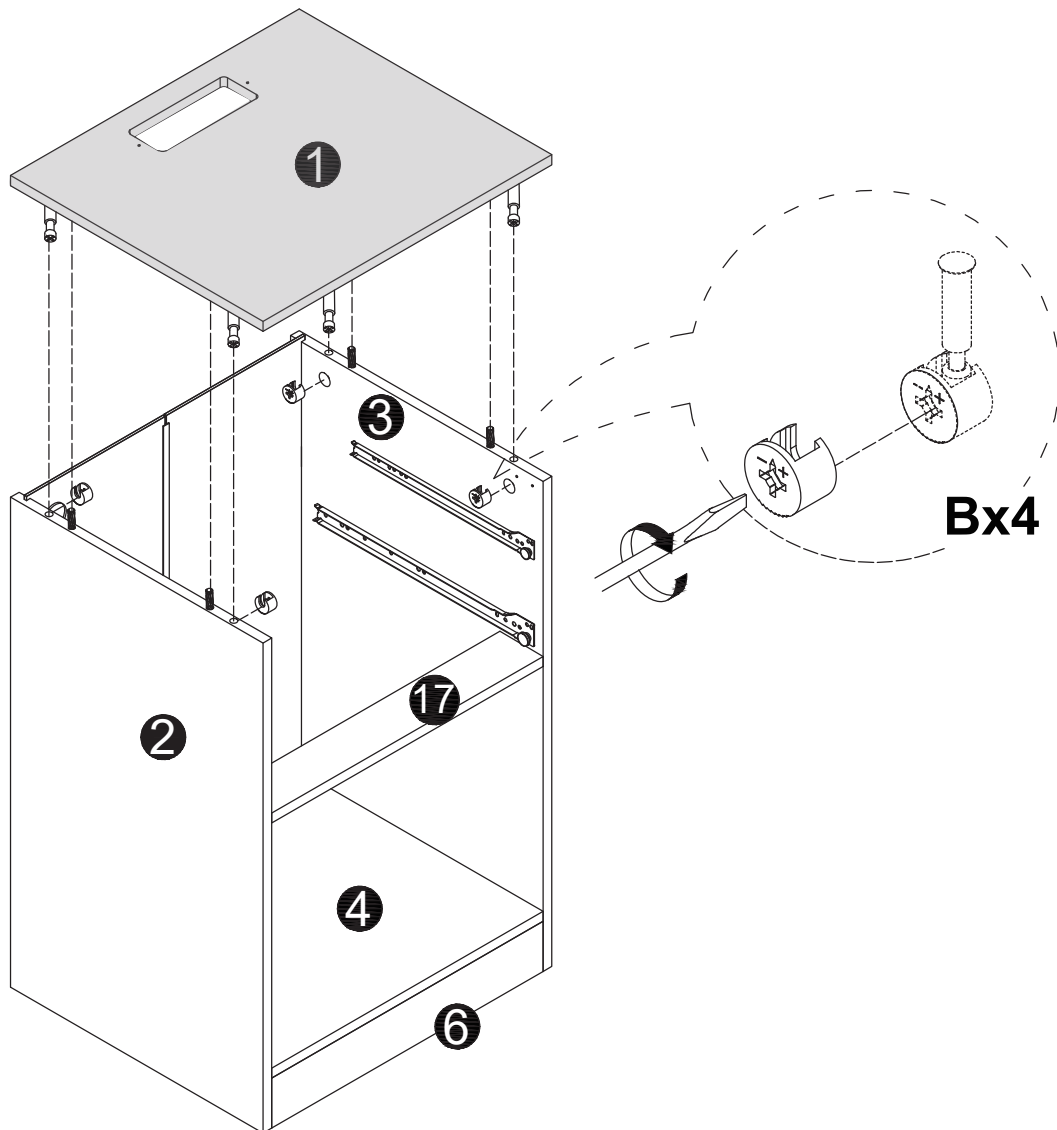
9



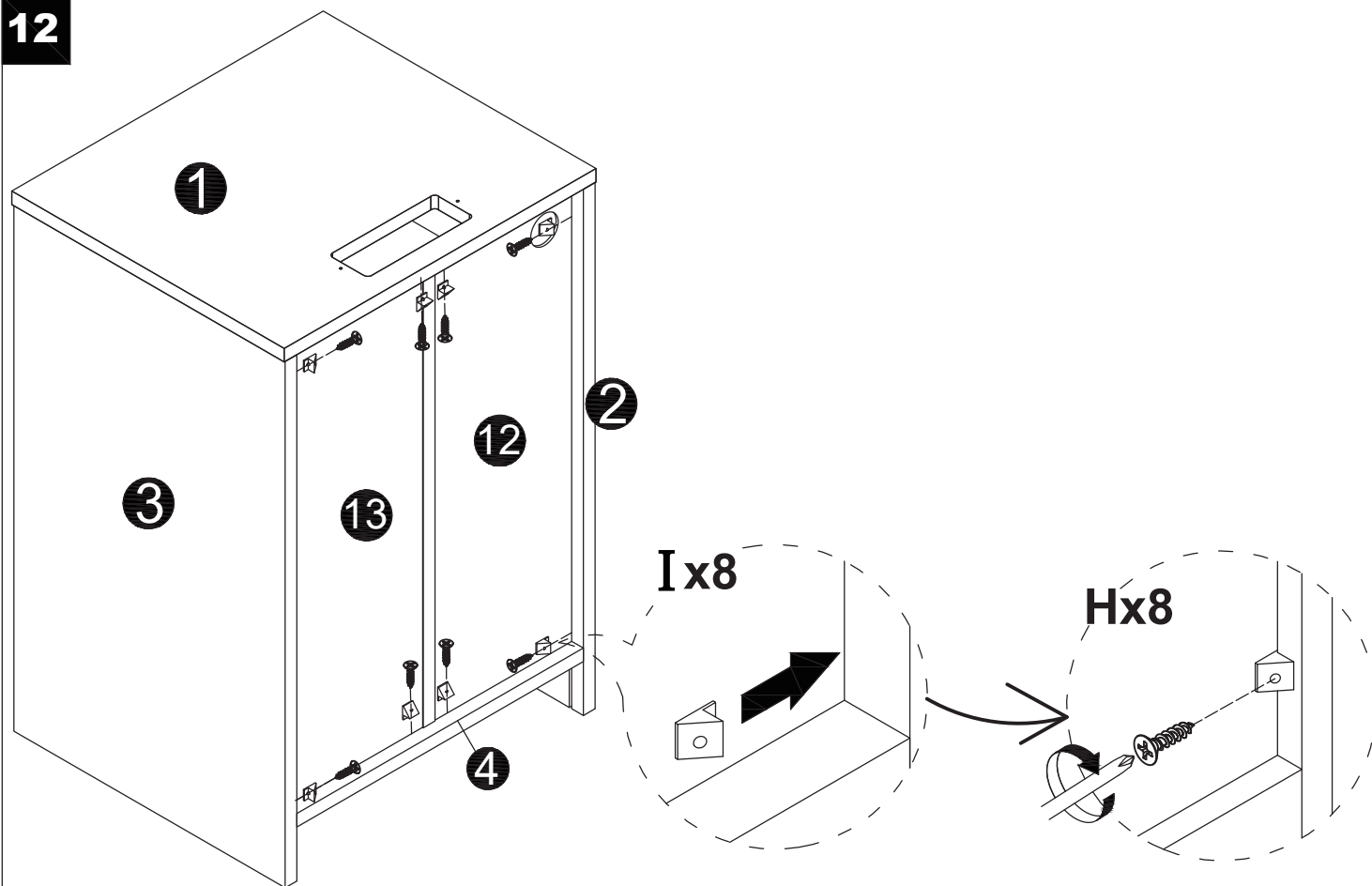
10



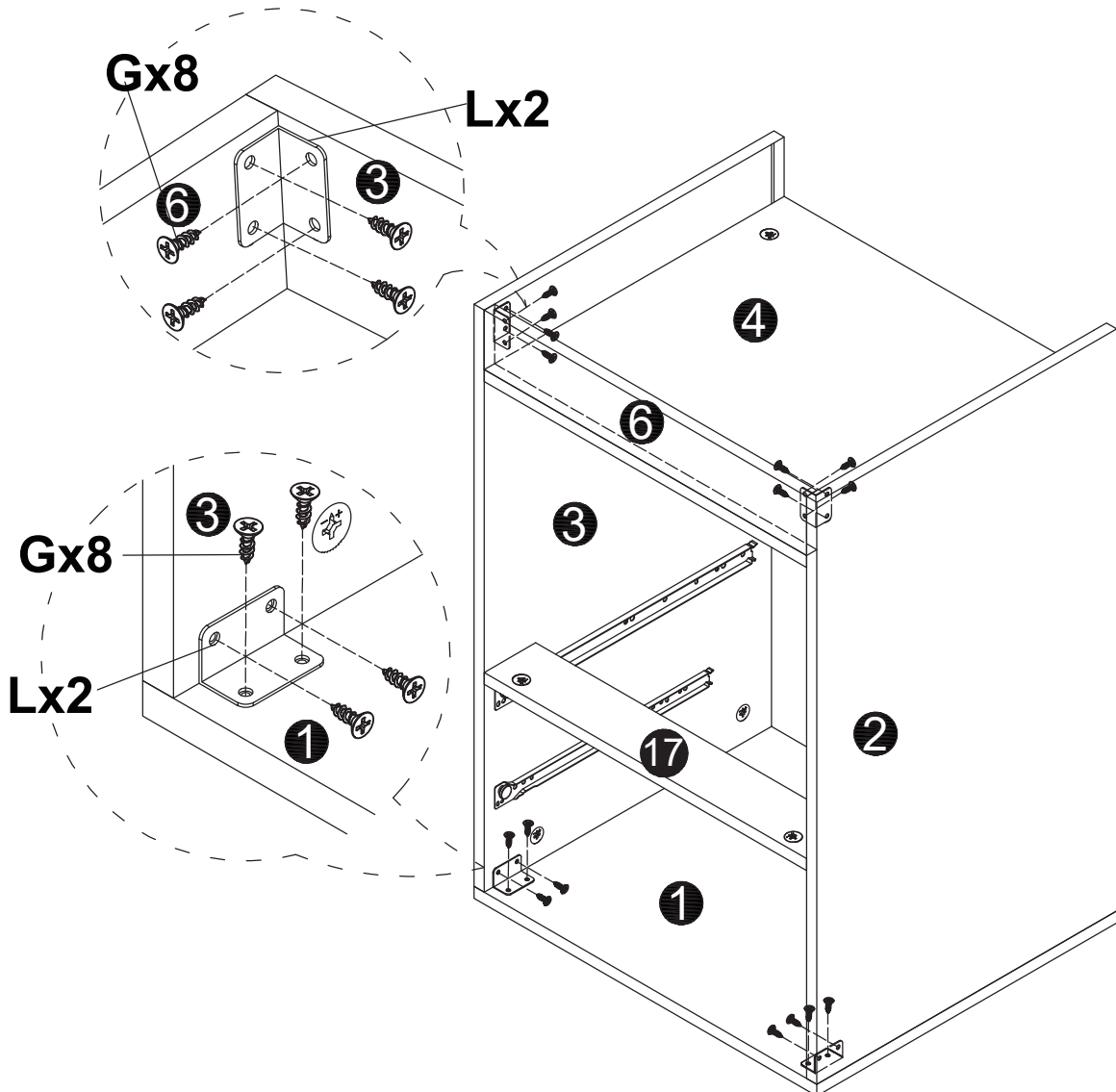
11



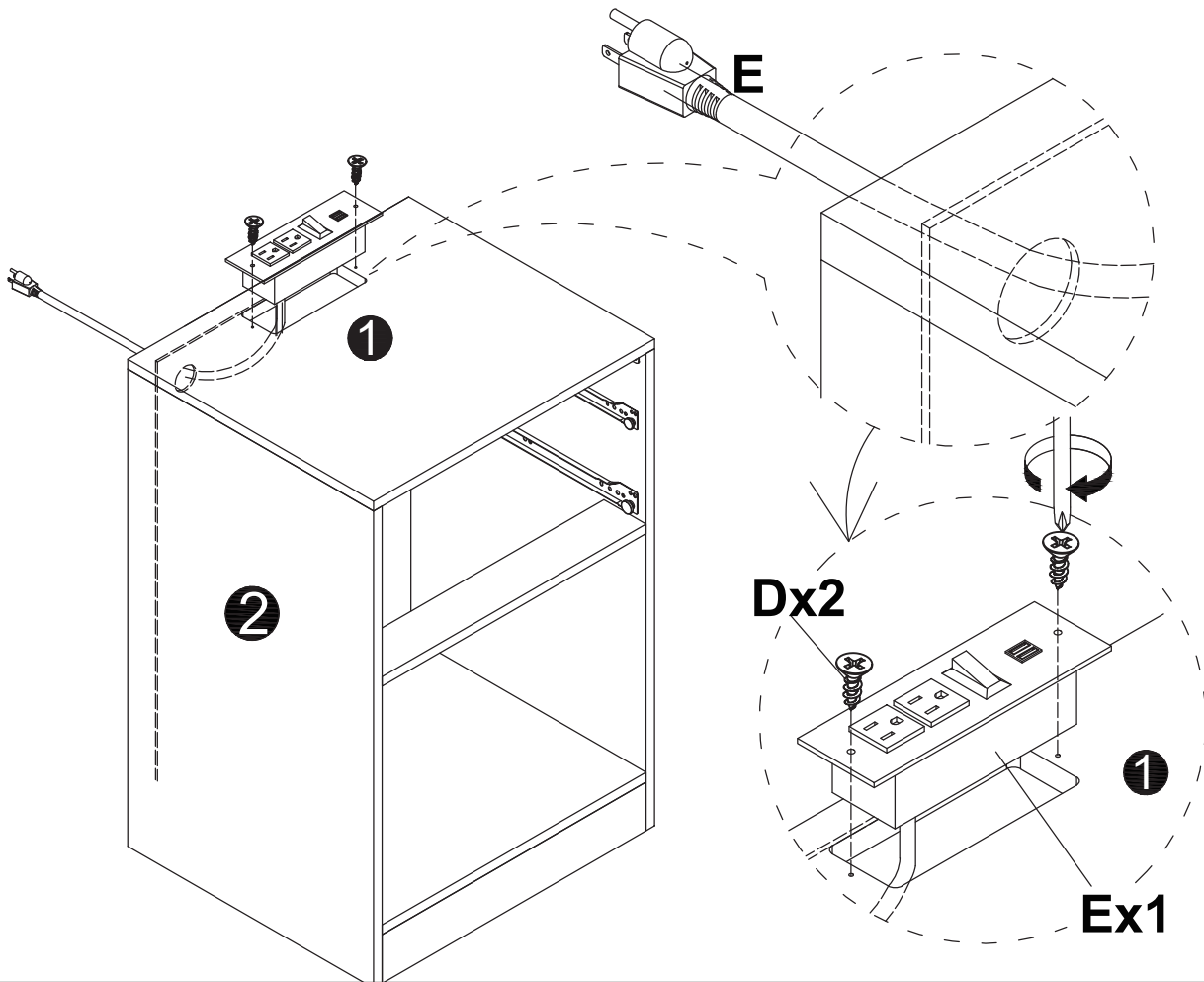
12



13



14

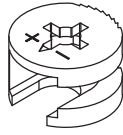


# Drawer



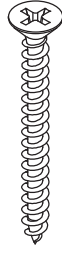
**A**

x8



**B**

x8



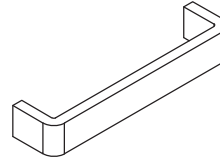
**F**

x8



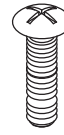
**G**

x10



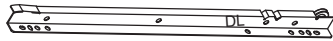
**J**

x2



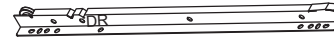
**K**

x4



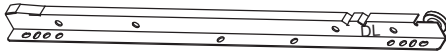
**DL-1**

x1



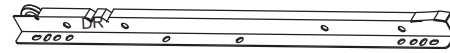
**DR-1**

x1



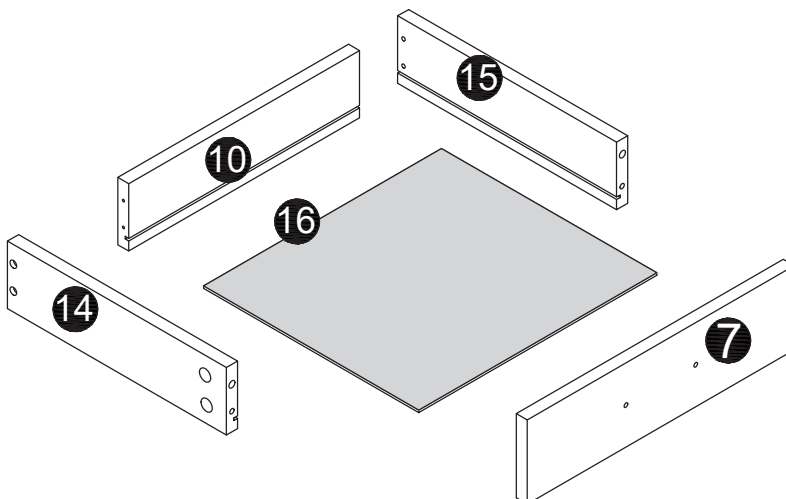
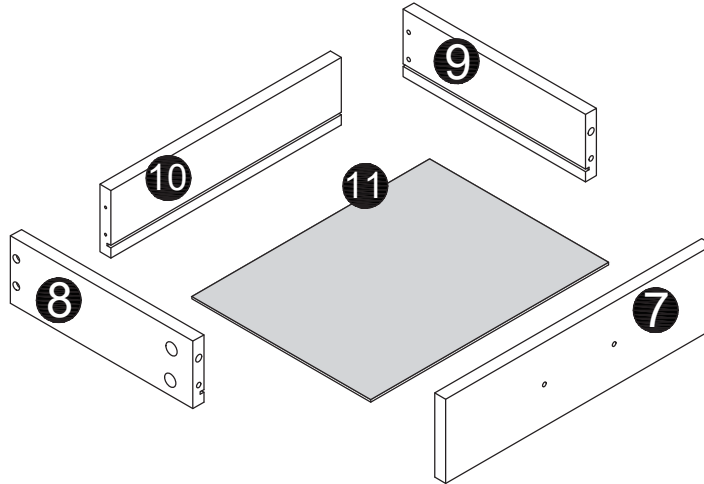
**DL-2**

x1

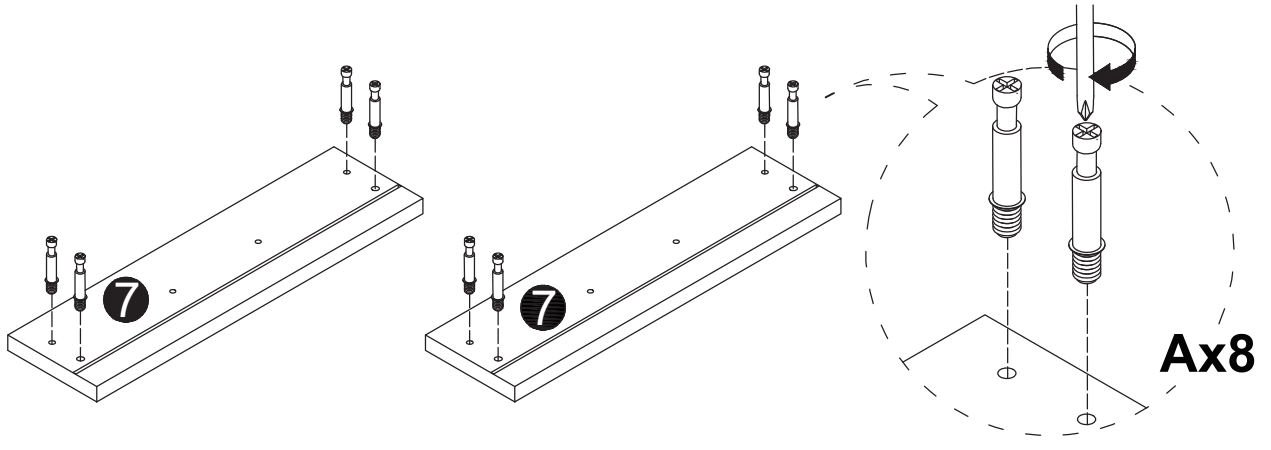


**DR-2**

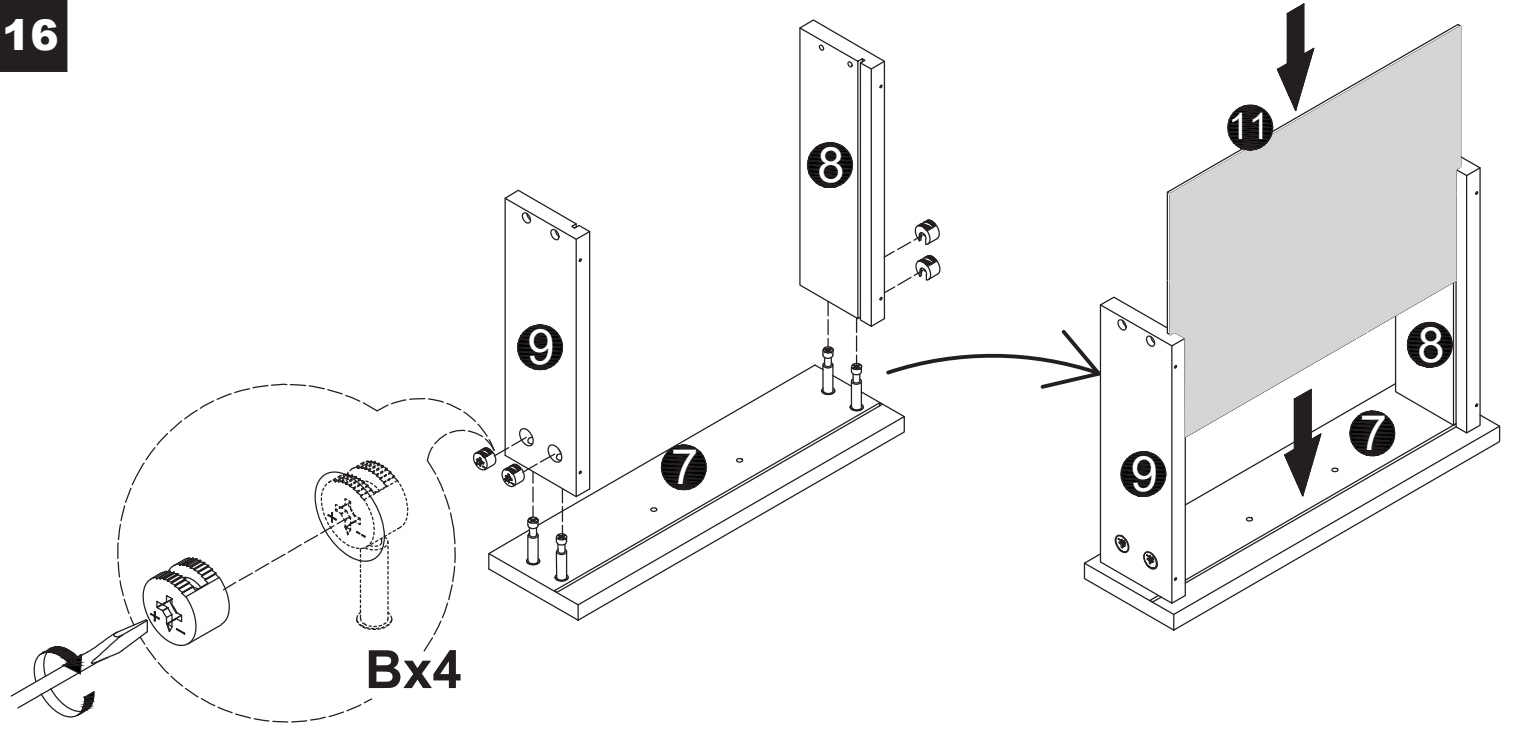
x1



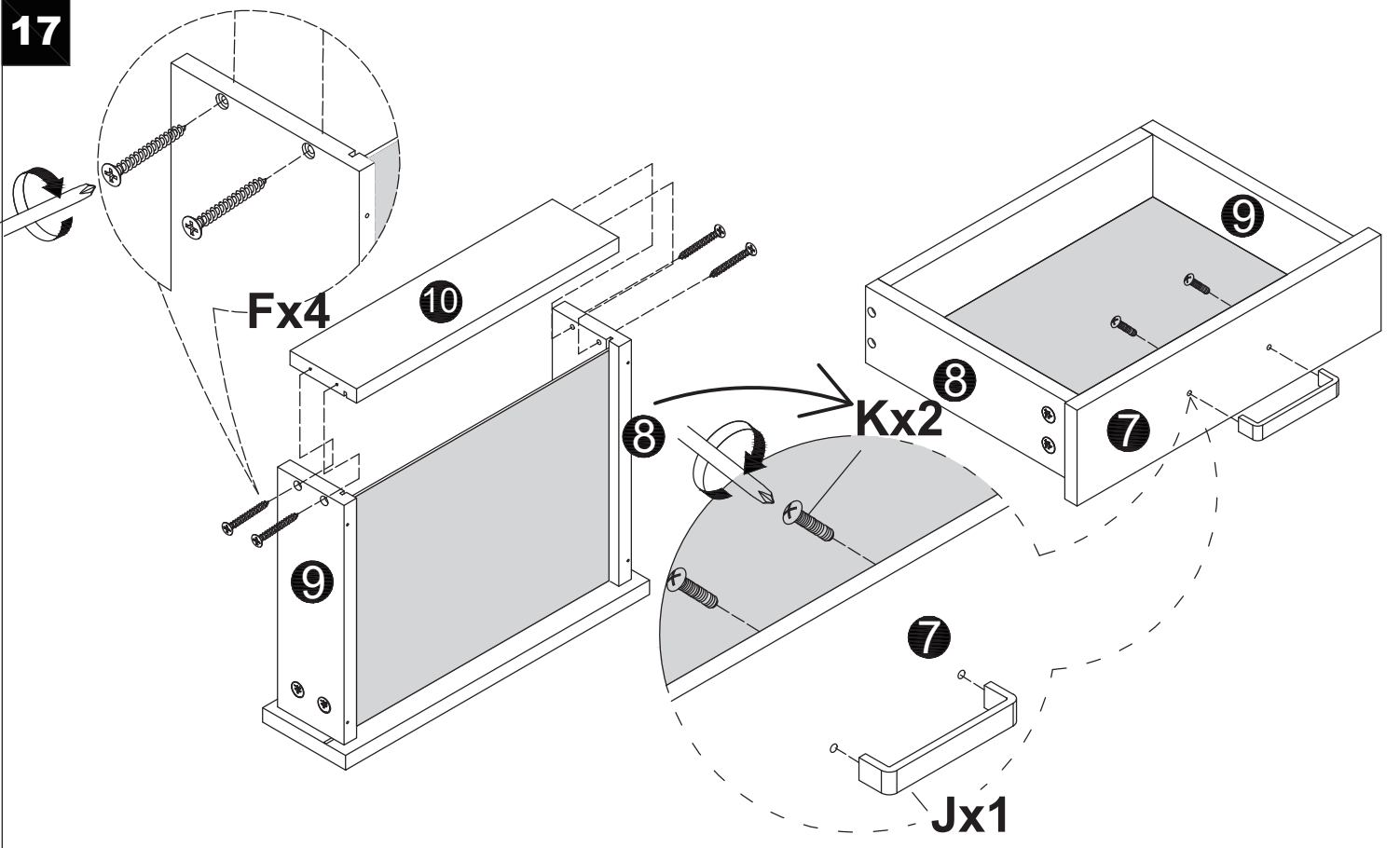
15



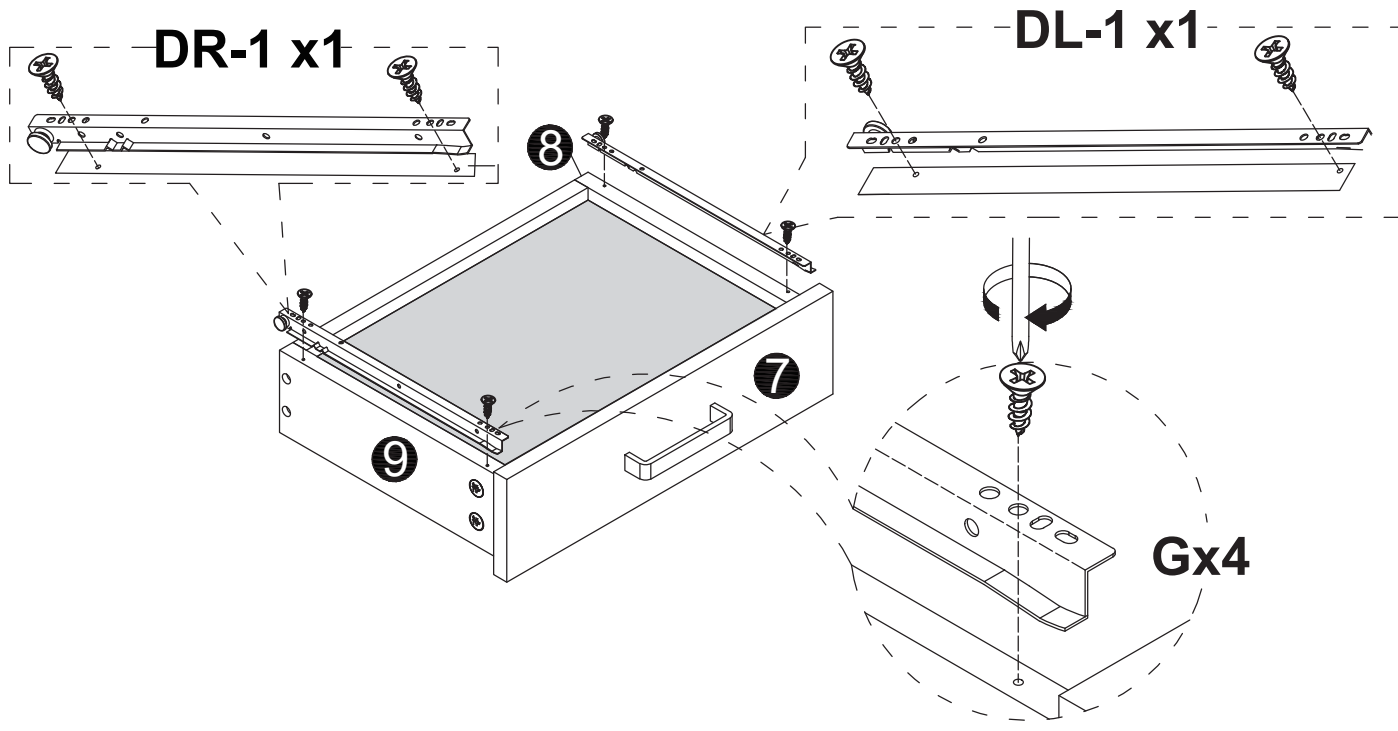
16



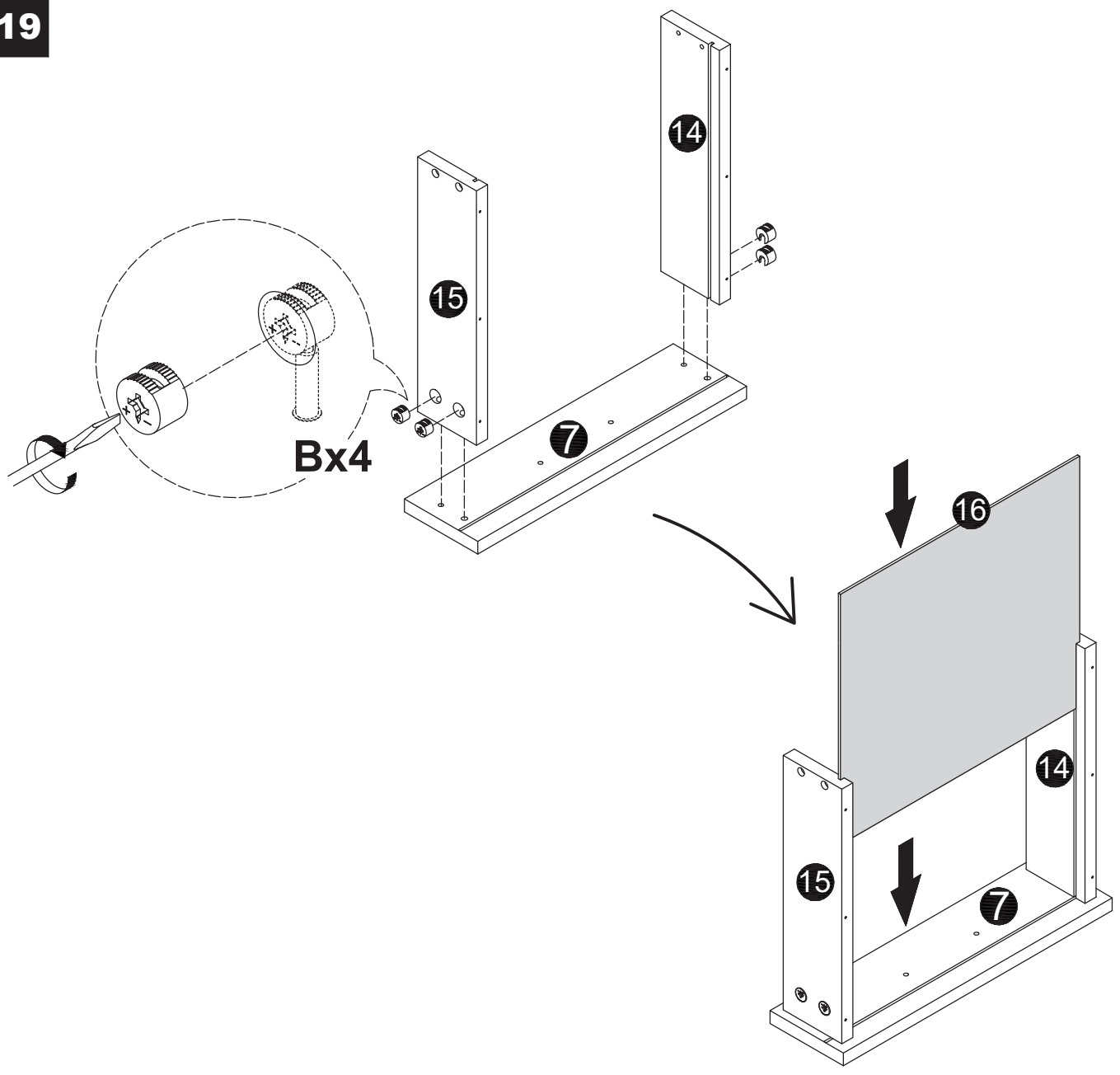
17



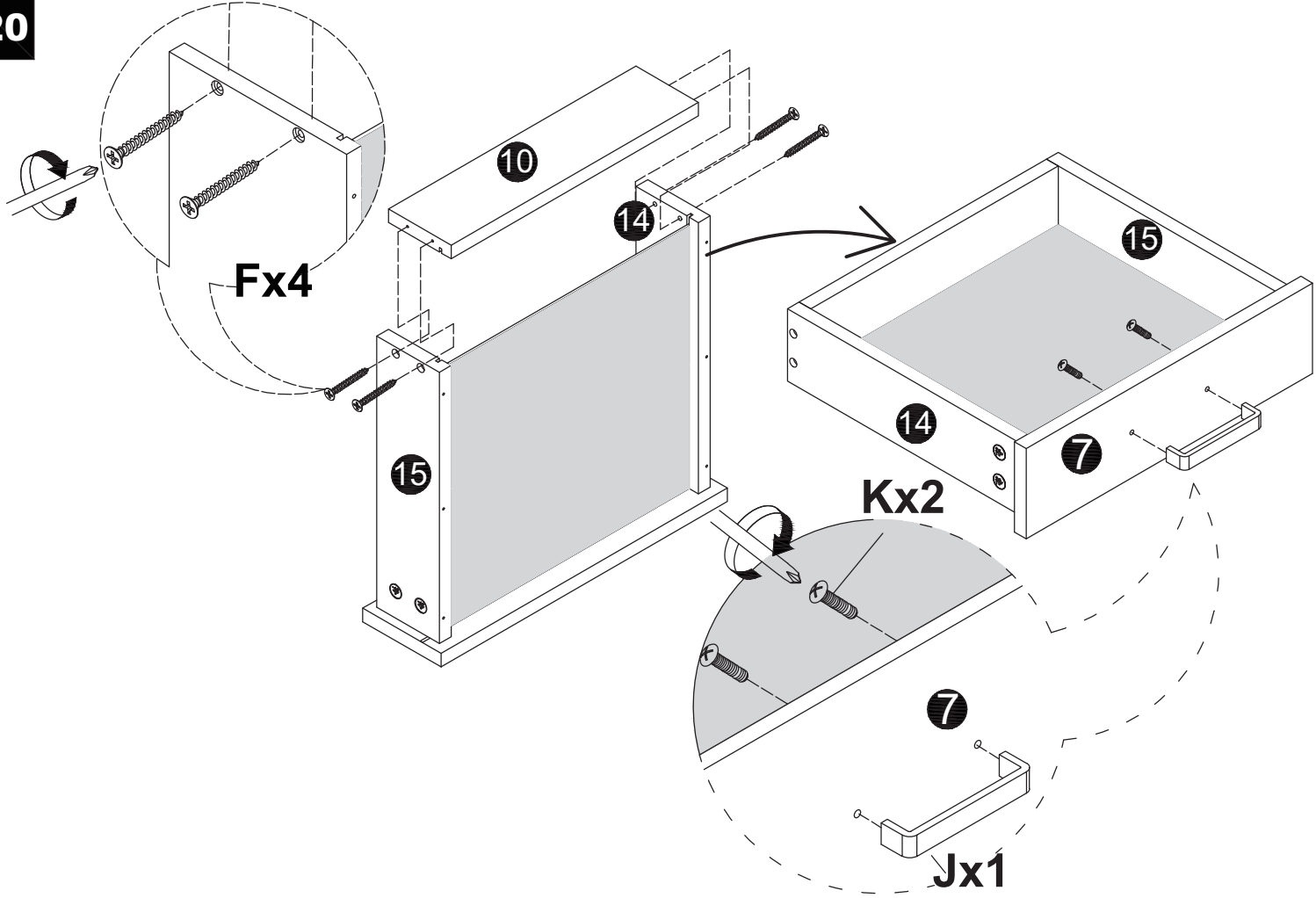
**18**



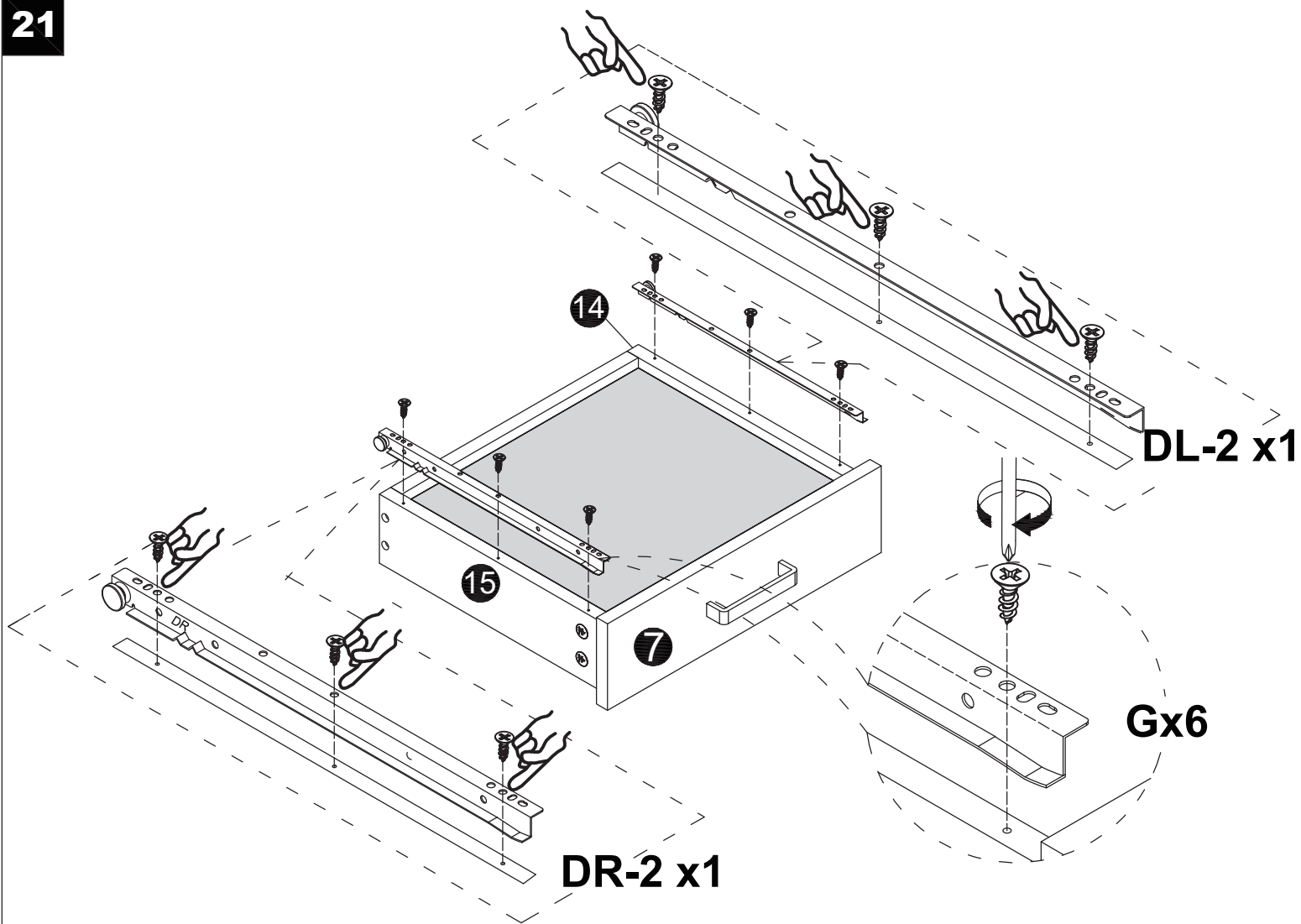
**19**



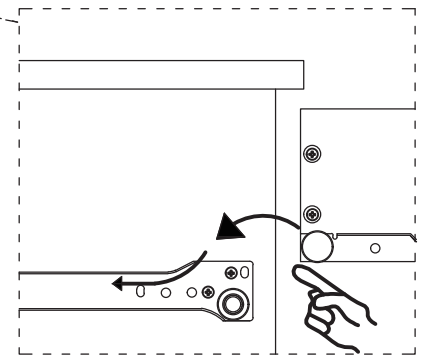
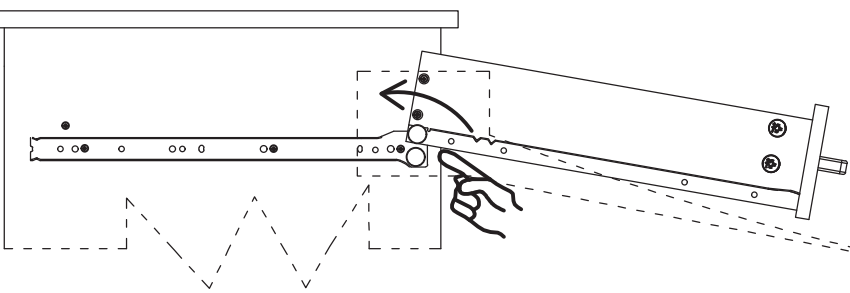
20



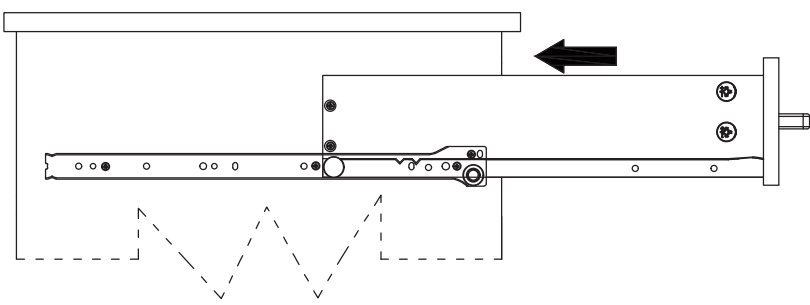
21



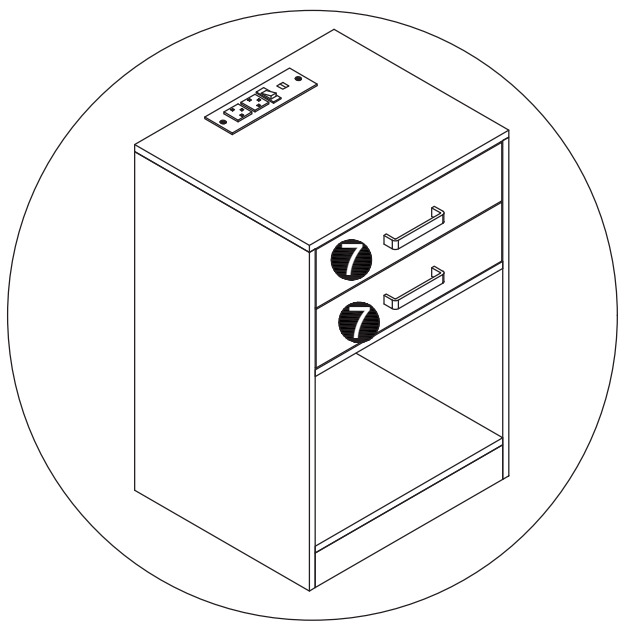
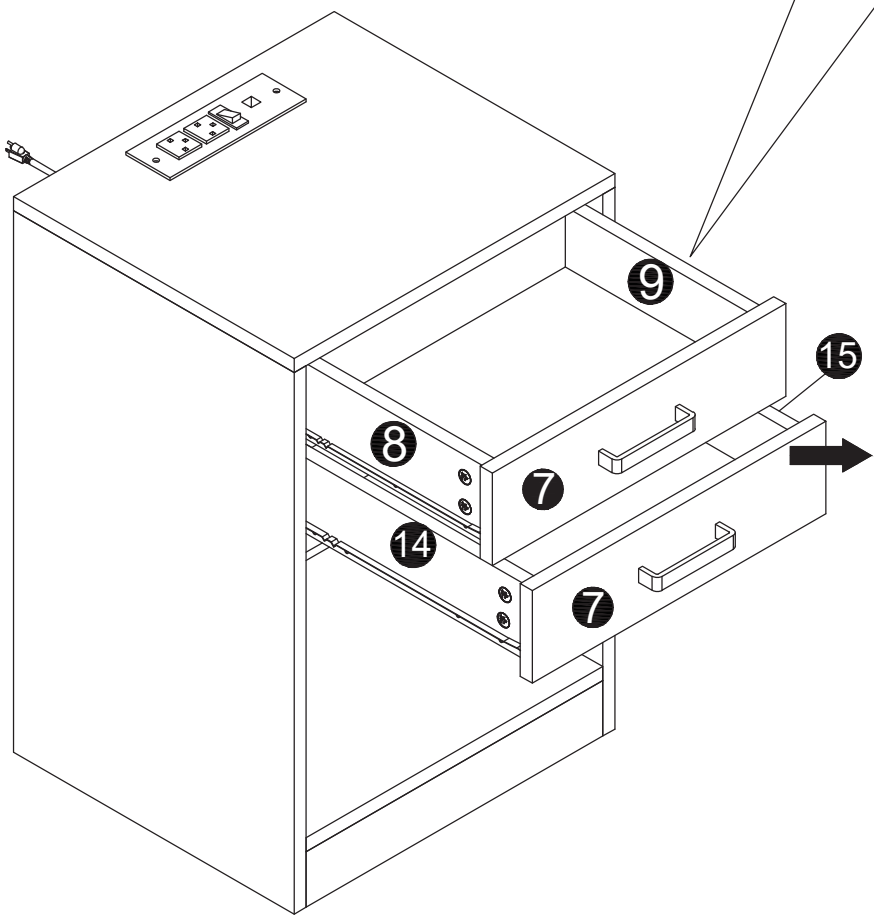
(1)



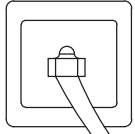
(2)



x2



Power supply



**E**

