

HELPFUL HINTS

! BEFORE YOU START

- Inspect product packaging to ensure the appearance is good.
- Read the assembly instruction carefully and follow it step by step.
- To avoid any scratching, putting a soft blanket on the floor is suggested.
- Identify, sort and count all the parts with tags.
- Find out installation position according to the drawing and install it in correct steps.

! OTHER

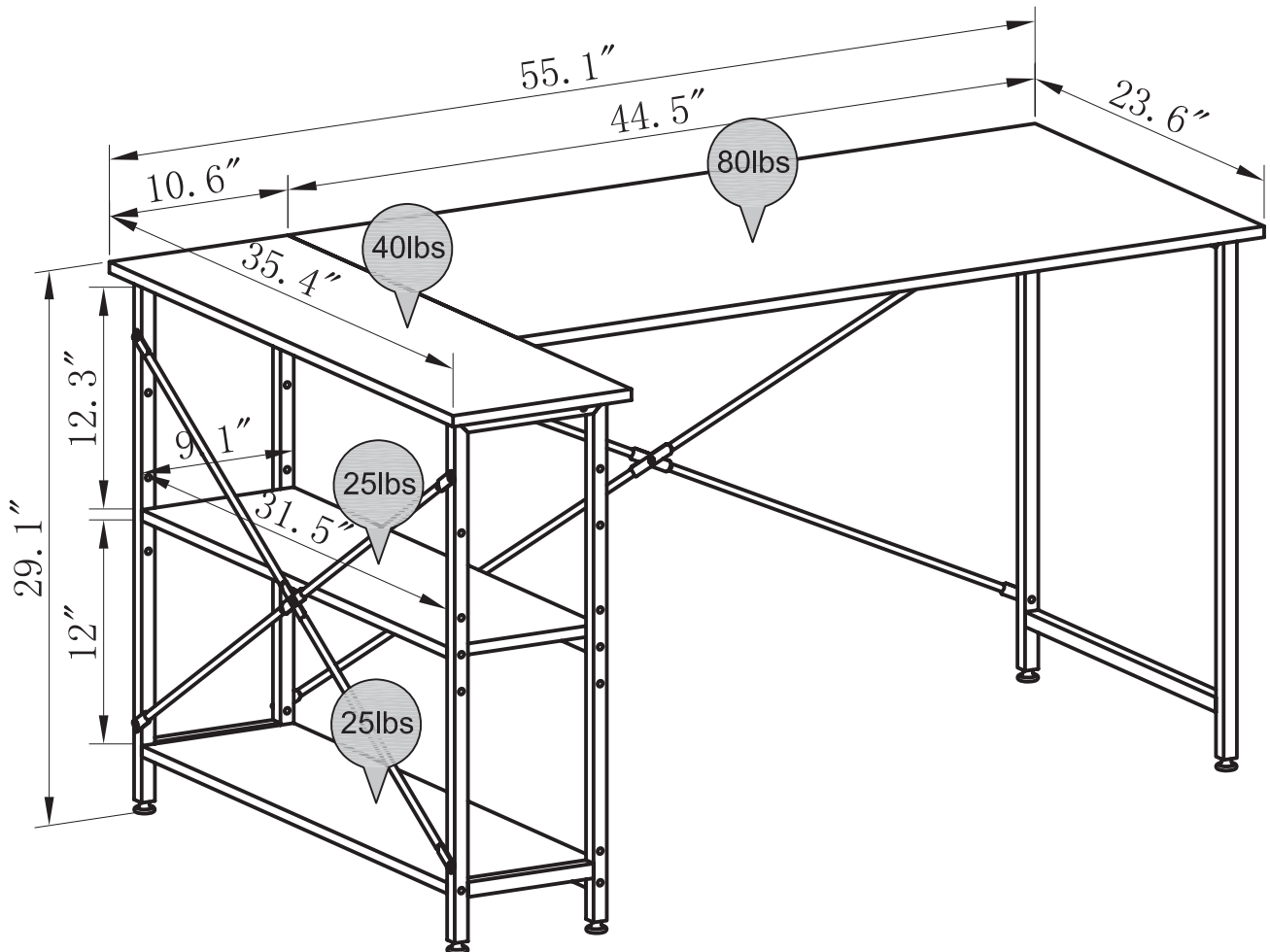
- People needed for assembly: 1-2
- Estimated assembly time: 0.5-1 hour

! CAUTION

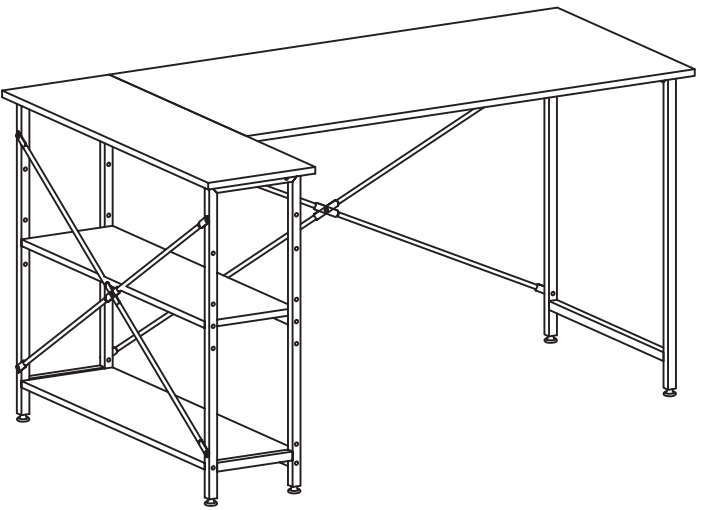
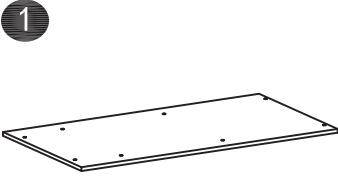
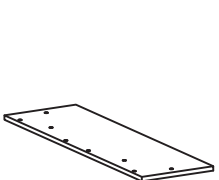
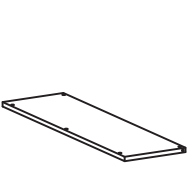
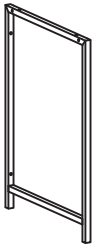
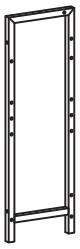






- Be cautious when using a power drill or power screwdriver.
- Please be aware to slow down and stop when screw is nearly tight.
- Do Not use any harsh chemicals or abrasive cleaners for this item.
- Push, pull or drag this item carefully.

DETAILS



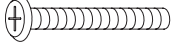

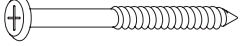


UNIT: INCH



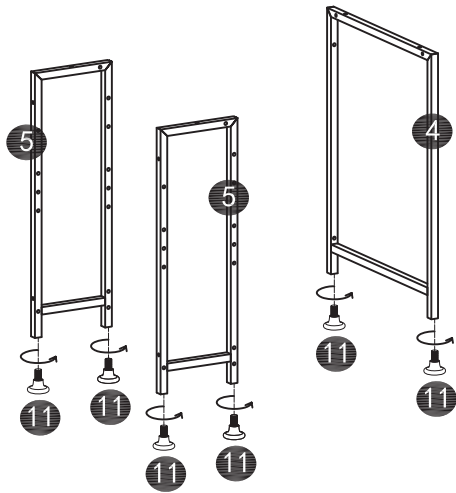
PARTS LIST

	 x 1	 x 1	
	 x 2	 x 1	
 x 2	 x 2	 x 1	 x 2
 x 2	 x 2	 x 6	

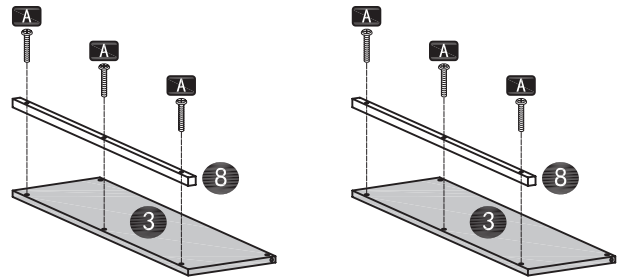
ACCESSORIES LIST

No.	PICTURE	SIZE	QTY	No.	PICTURE	SIZE	QTY
A		M6x30	28	E		M6x10	2
B		M6x35	10	F		Φ8	8
C		ST5x50	4				
D		M6	10				

STEP 1

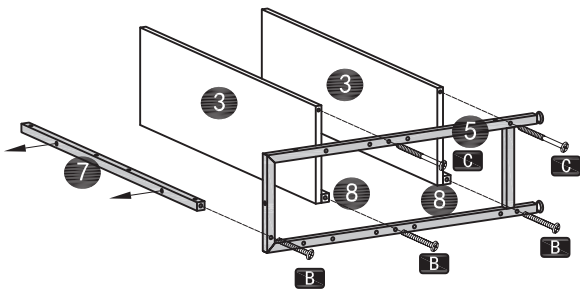


STEP 2



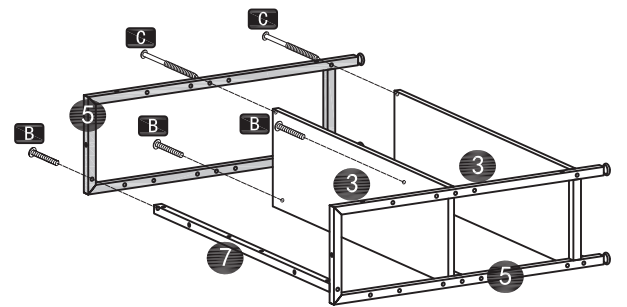
A  M6x30 6

STEP 3



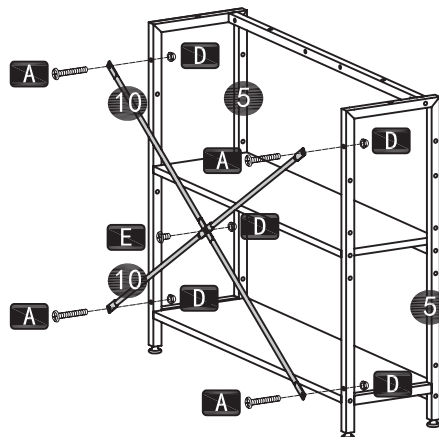
B  M6x35 3 **C**  ST5x50 2

STEP 4



B  M6x35 3 **C**  ST5x50 2

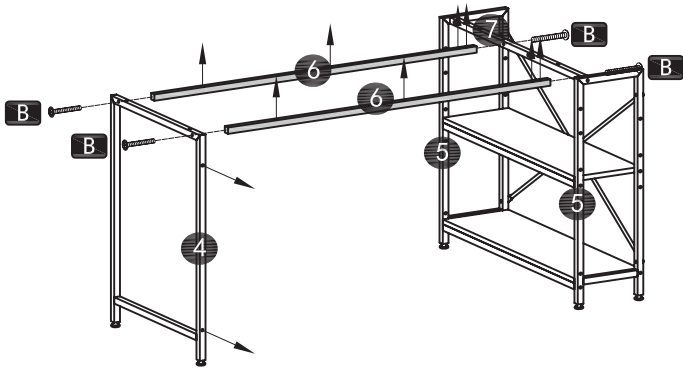
STEP 5



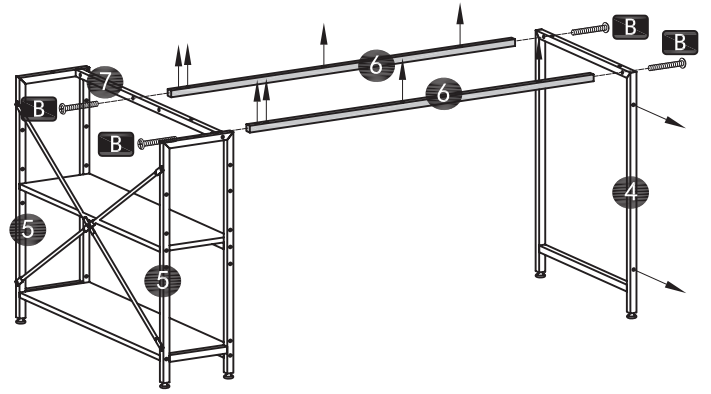
A  M6x30 4 **D**  M6 5 **E**  M6x10 1

STEP 6

A



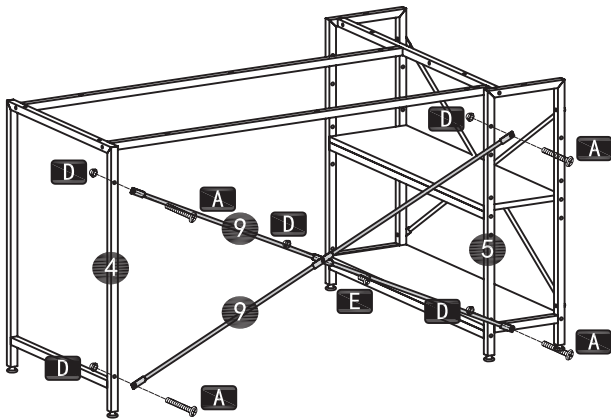
B



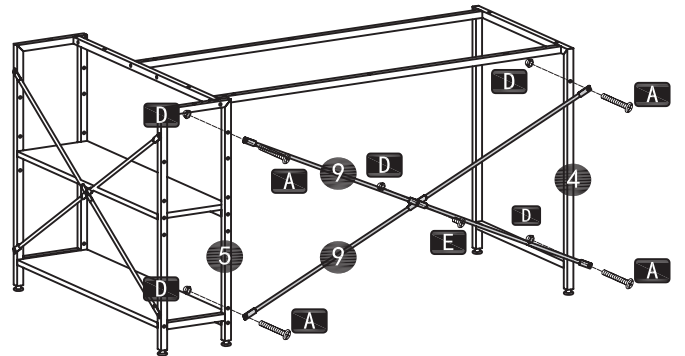
B  M6x35 4

STEP 7

A



B



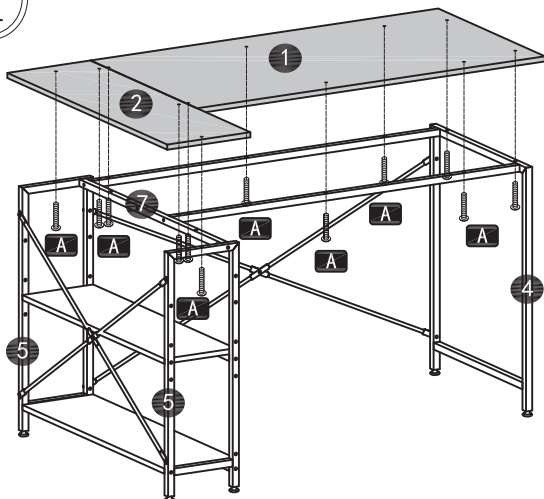
A  M6x30 4

D  M6 5

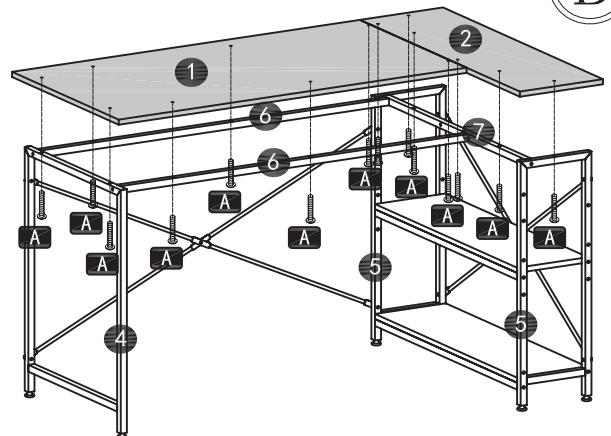
E  M6x10 1

STEP 8

A



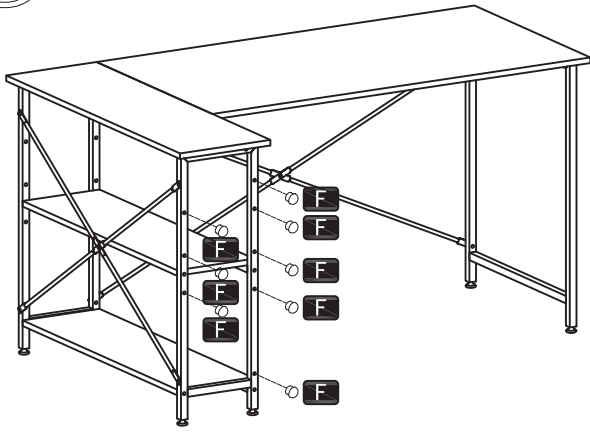
B



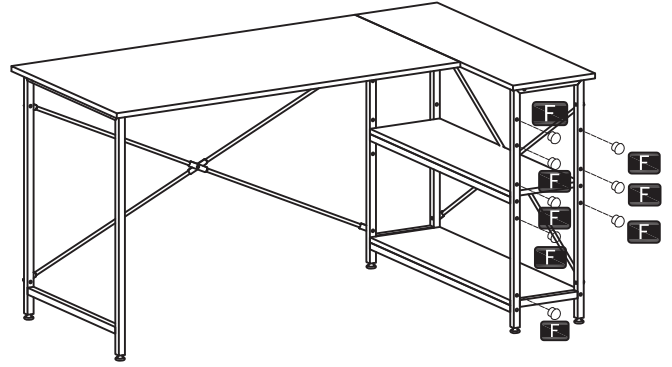
A  M6x30 12

STEP 9

A



B



F  $\Phi 8$ 8