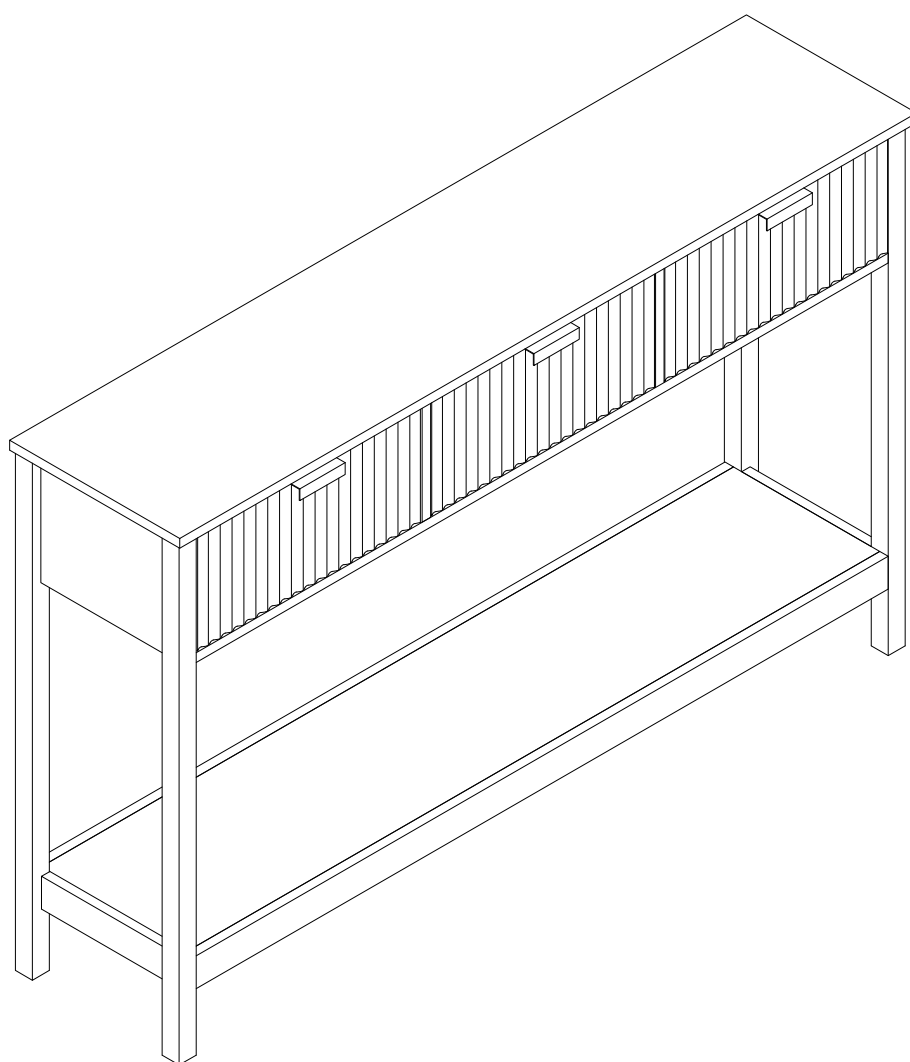
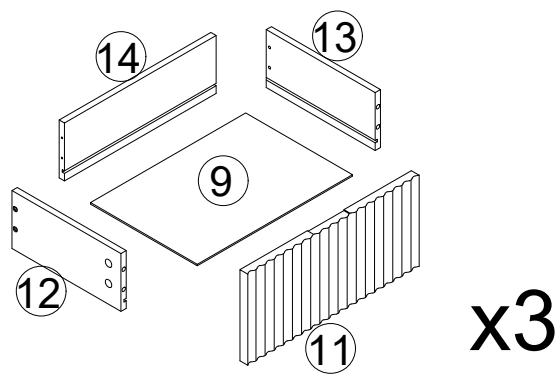
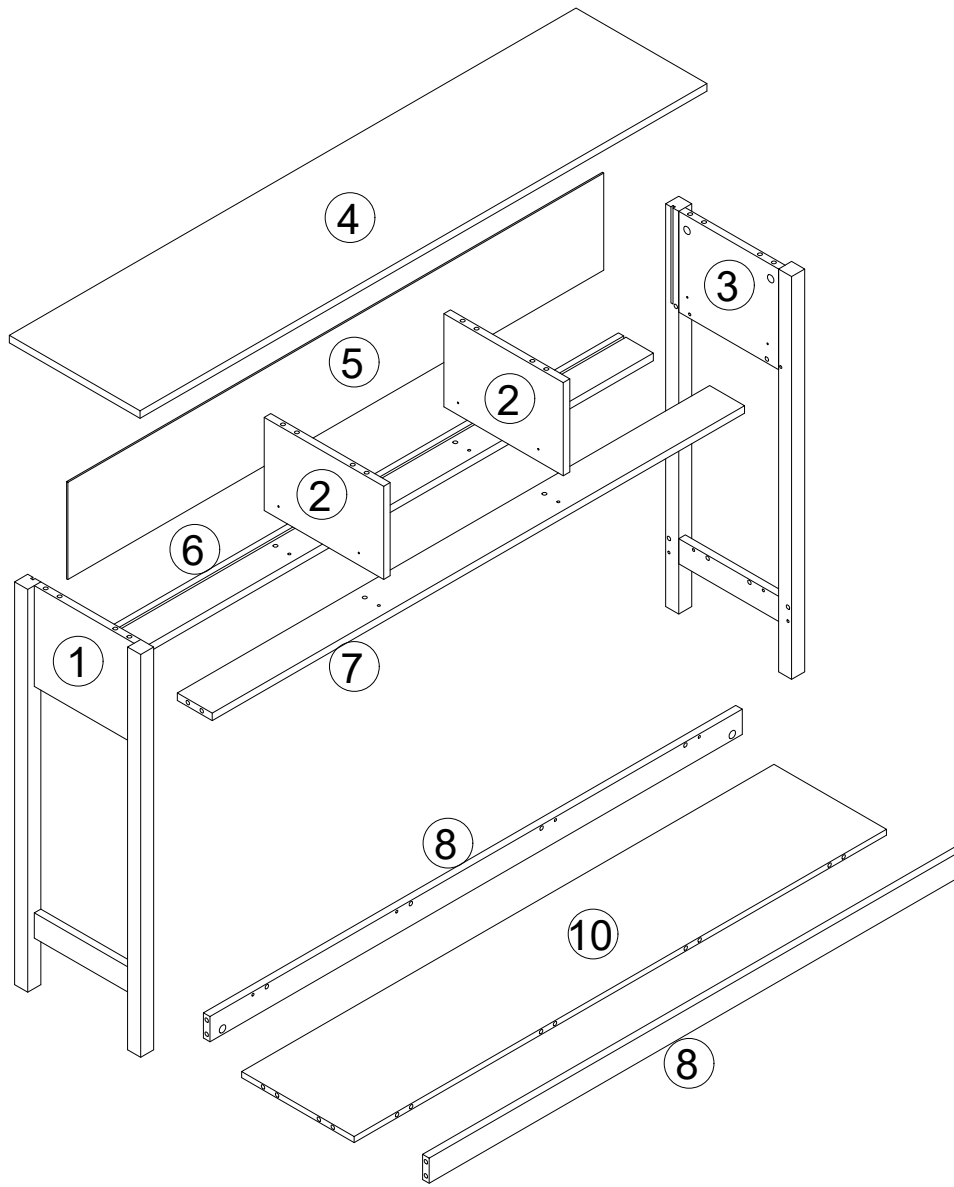
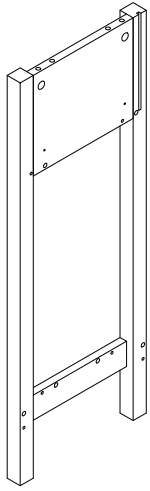


ASSEMBLY INSTRUCTION

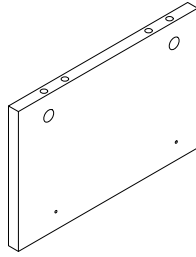
LSJ013



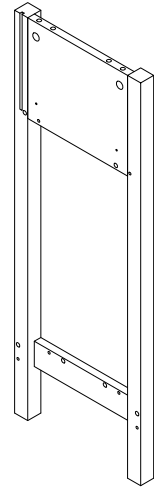




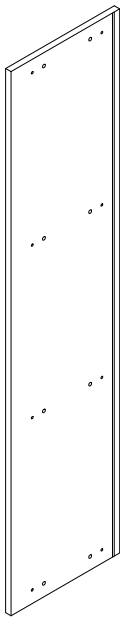
① x 1



② x 2



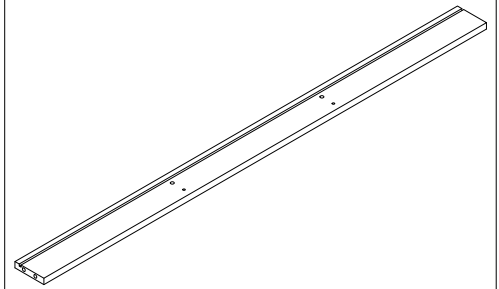
③ x 1



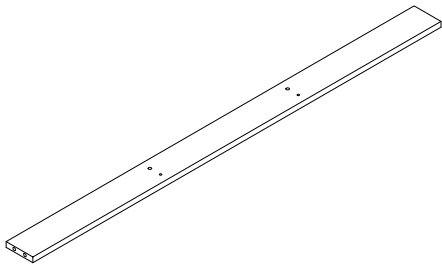
④ x 1



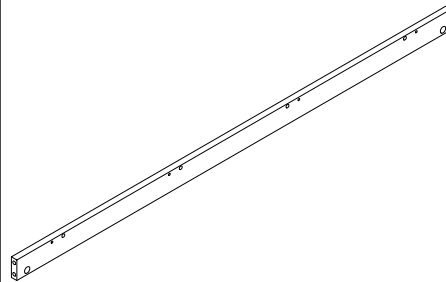
⑤ x 1



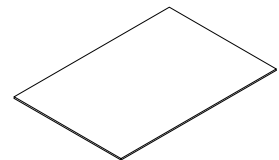
⑥ x 1



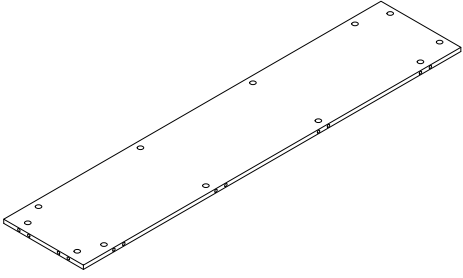
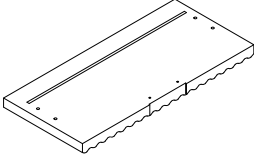
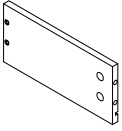
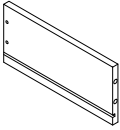
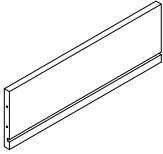
⑦ x 1

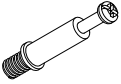





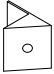

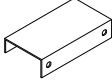
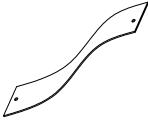


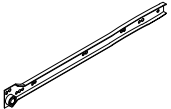
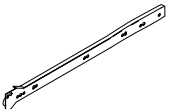
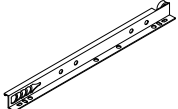
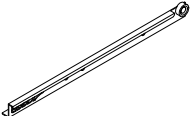


⑧ x 2

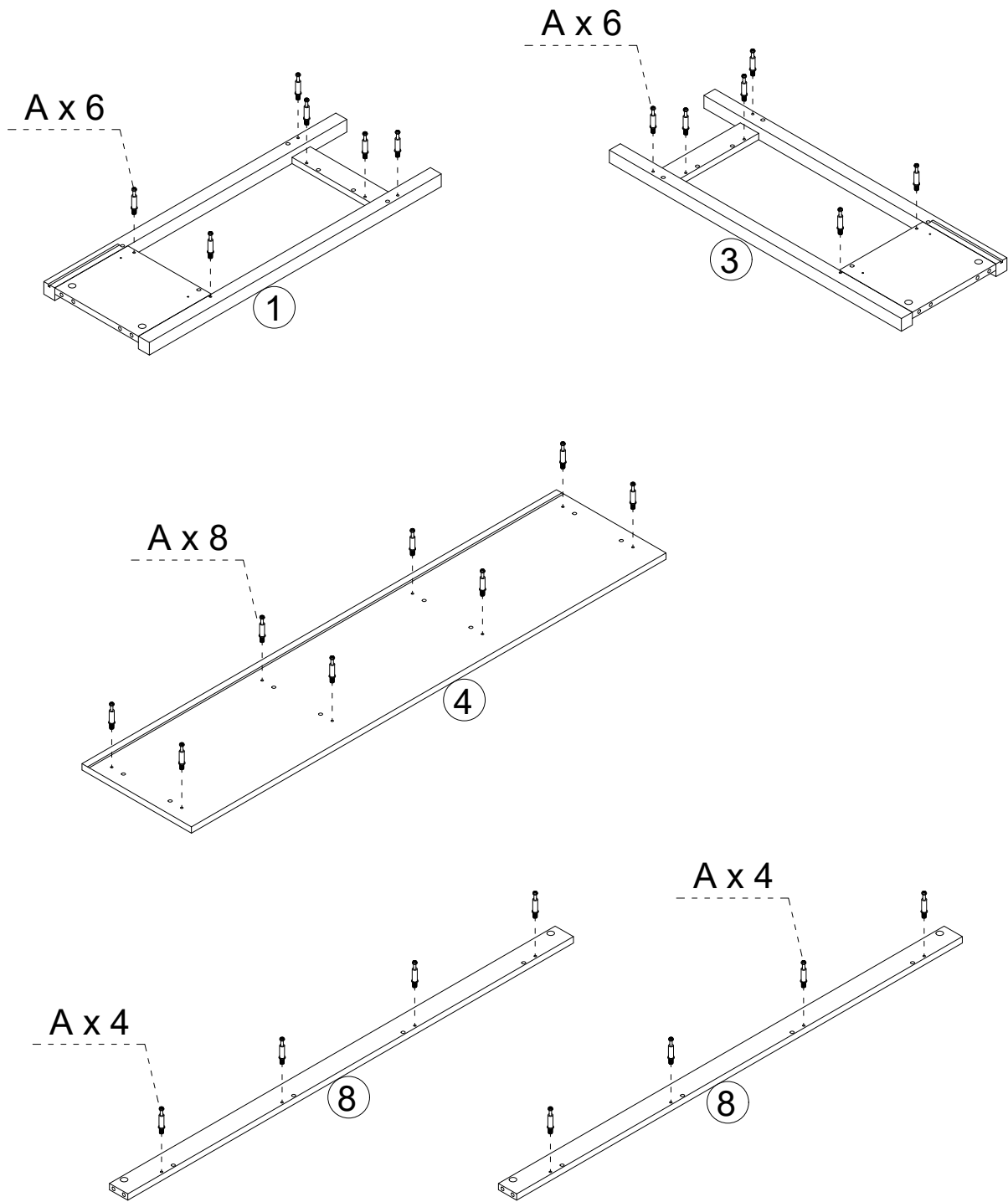


⑨ x 3

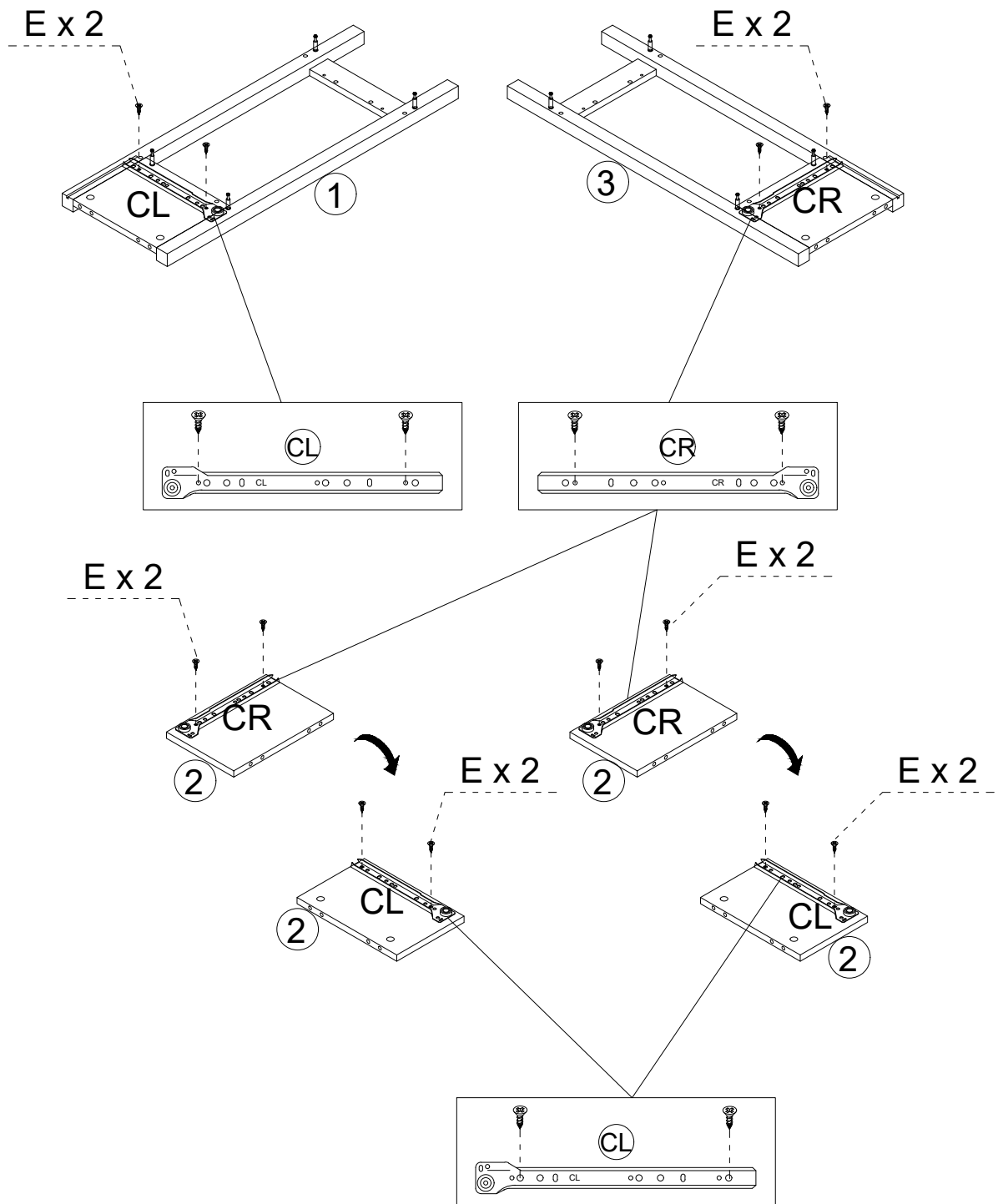
		
⑩ x 1	⑪ x 3	⑫ x 3
		
⑬ x 3	⑭ x 3	

					
Φ6x35mm A x 40+2	Φ15x9.5mm B x 40+2	Φ6x30mm C x 32+2	M4x35mm D x 18+1	M3.5x12mm E x 30+2	M3x14mm F x 8
					
G x 8	M4x12mm H x 2	I x 3	J x 2	K x 4	Φ6x30mm L x 2
					
CL x 3	CR x 3	DL x 3	DR x 3		

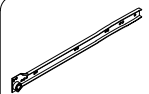
Step 1

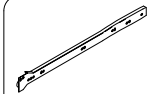


Step 2

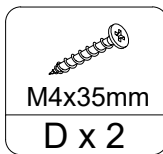
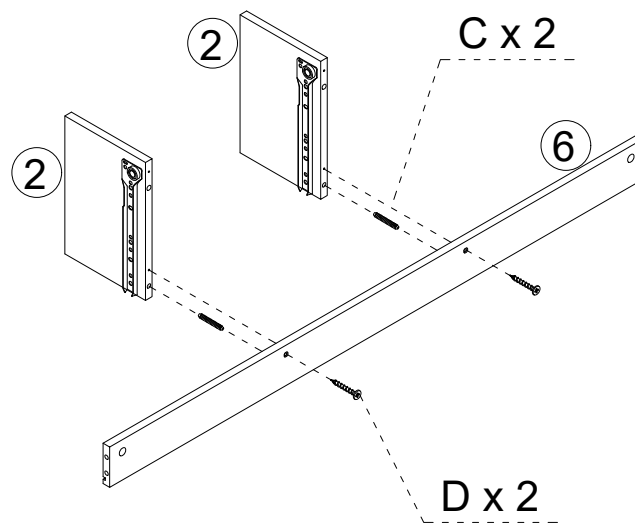



M3.5x12mm
E x 12

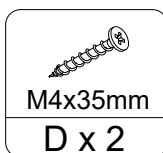
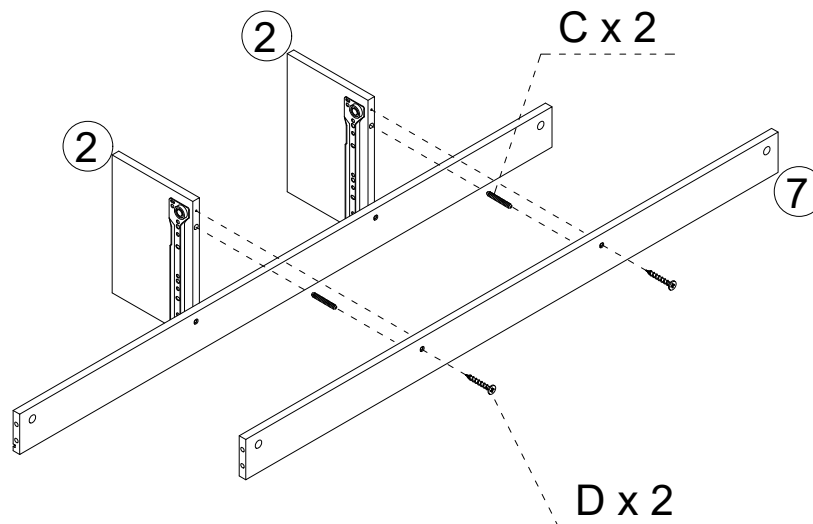

CL x 3


CR x 3

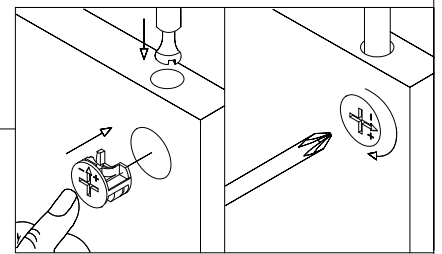
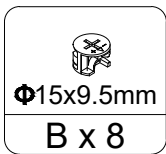
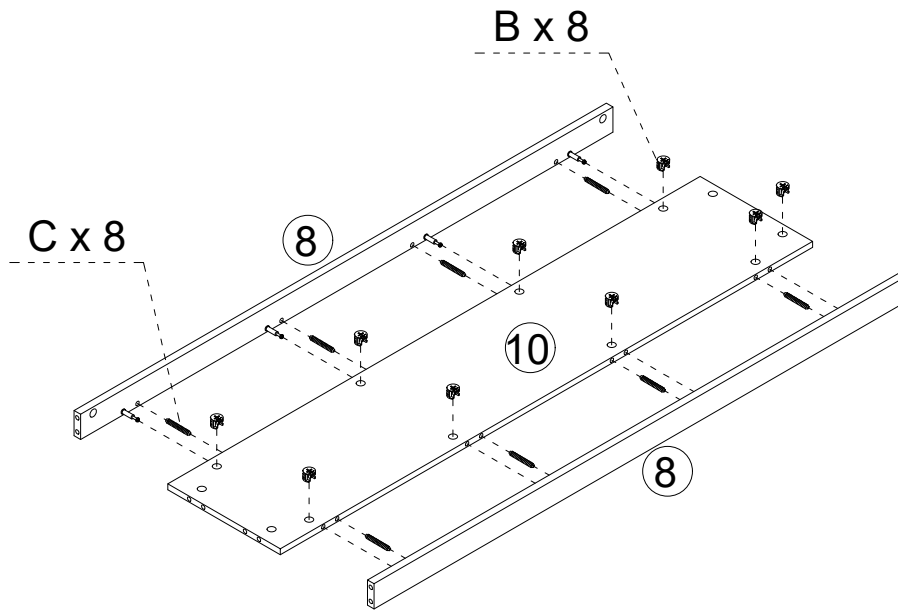
Step 3



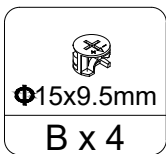
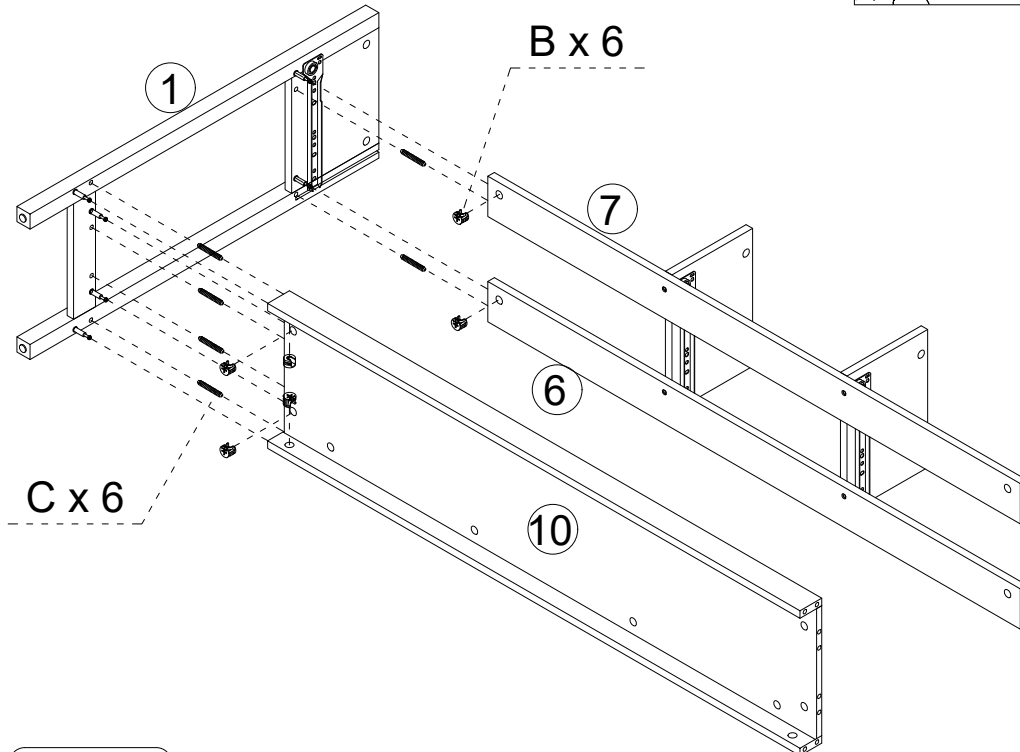
Step 4



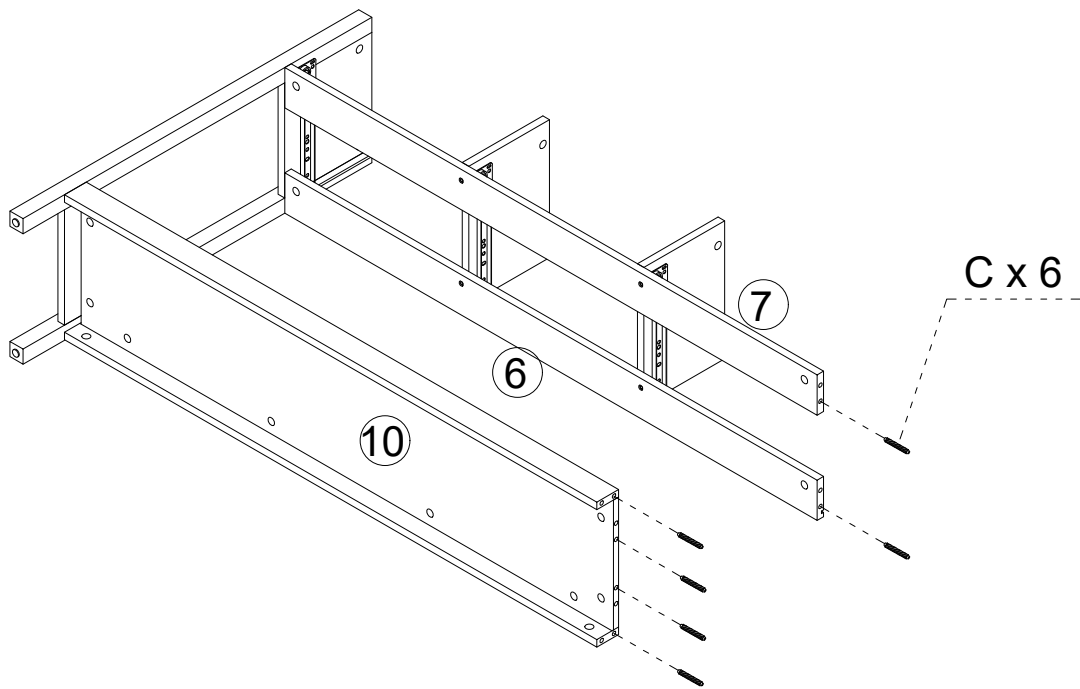
Step 5



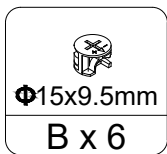
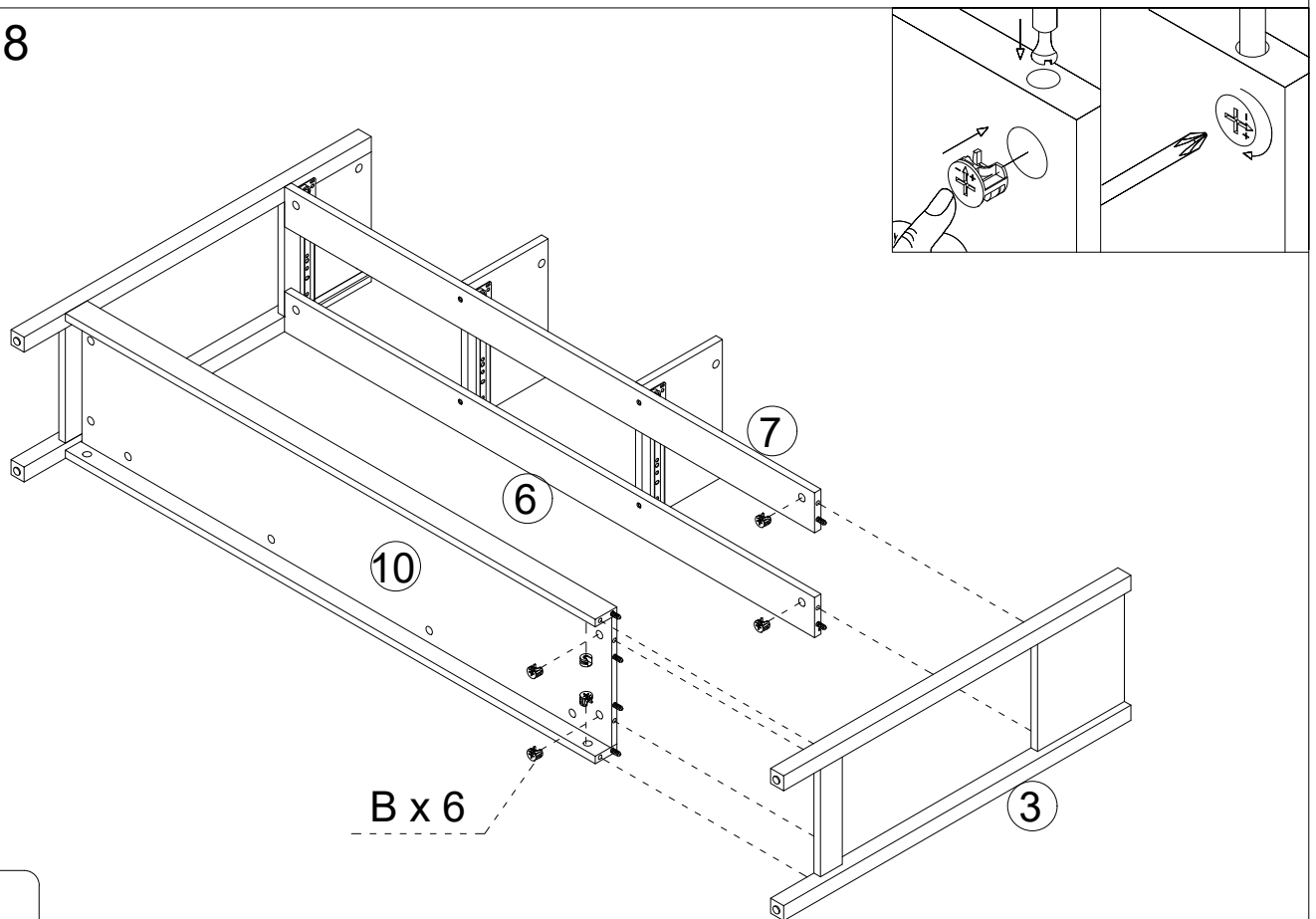
Step 6



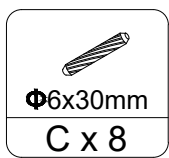
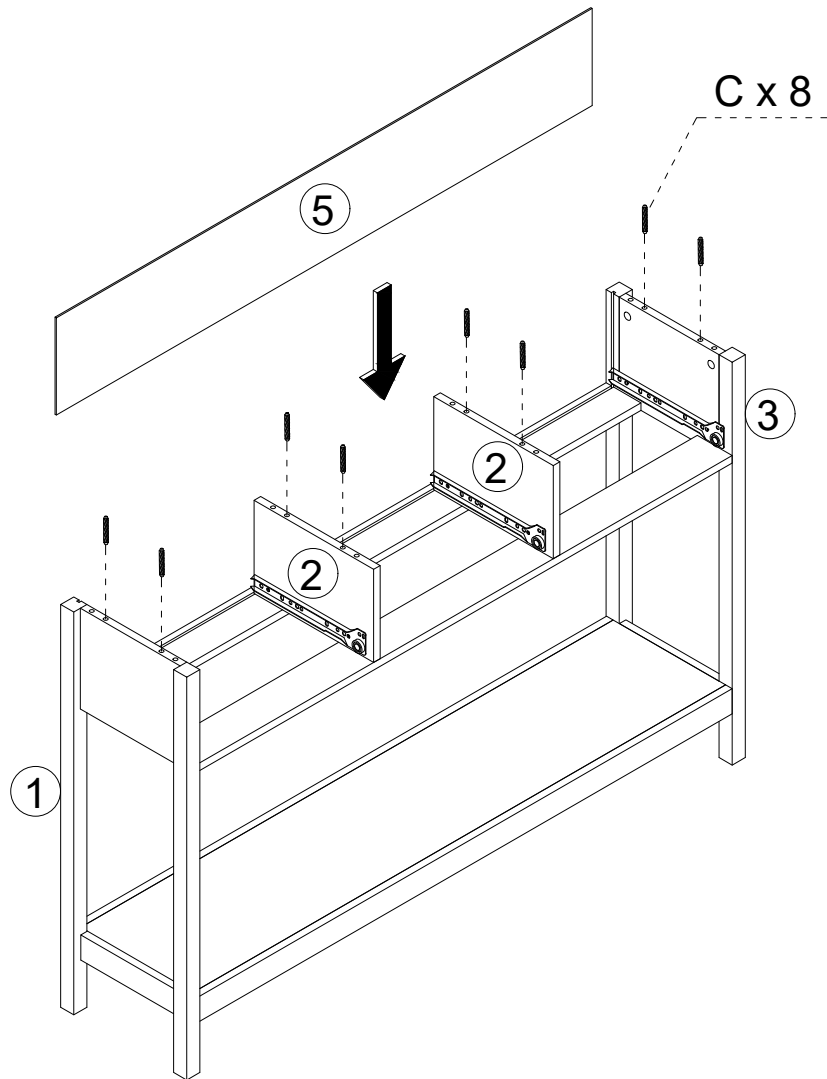
Step 7



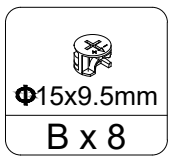
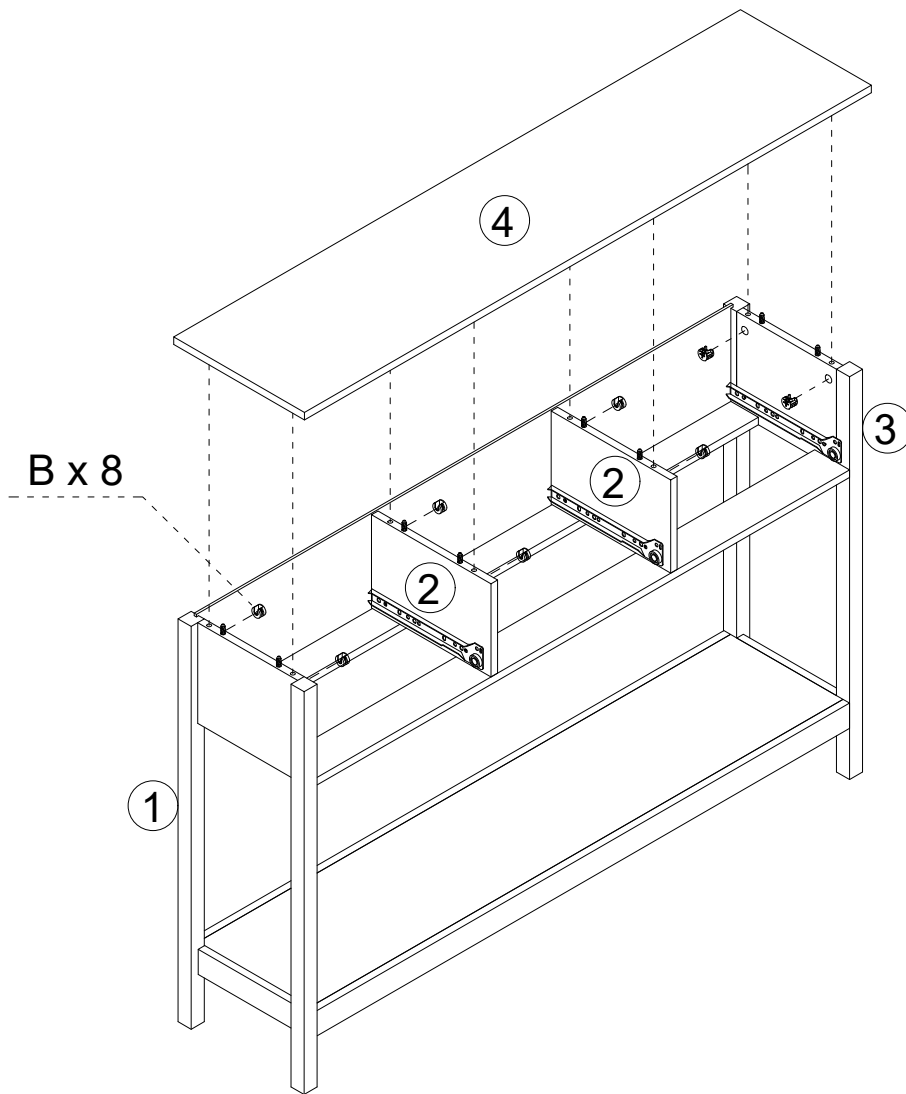
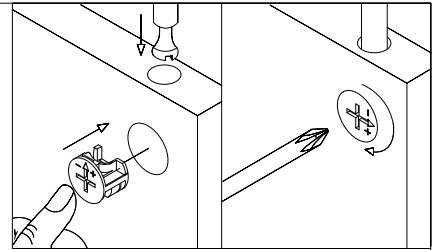
Step 8



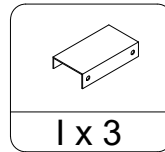
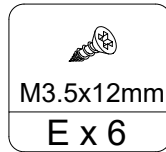
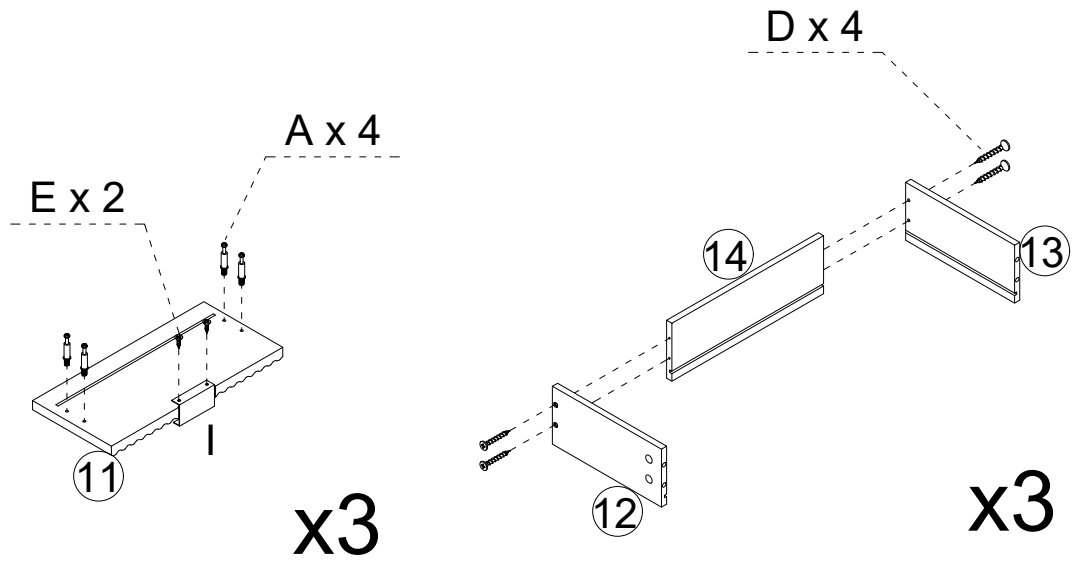
Step 9



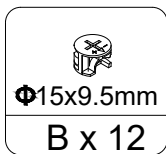
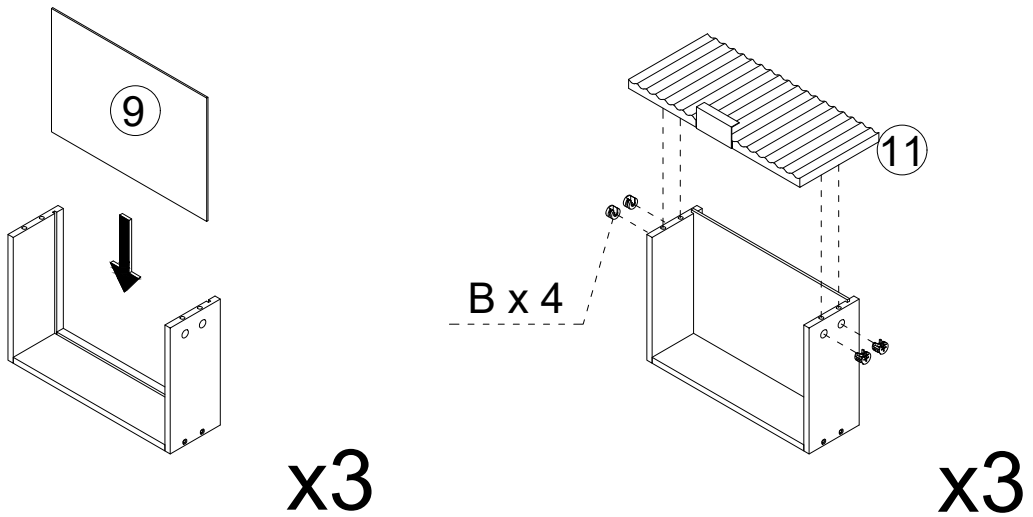
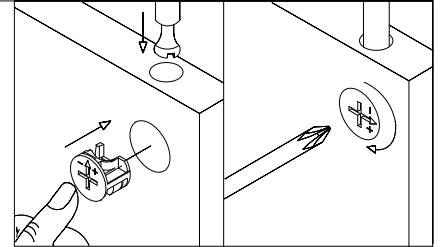
Step 10



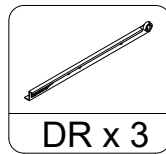
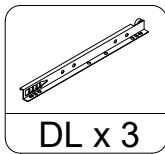
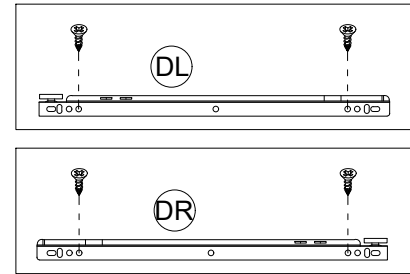
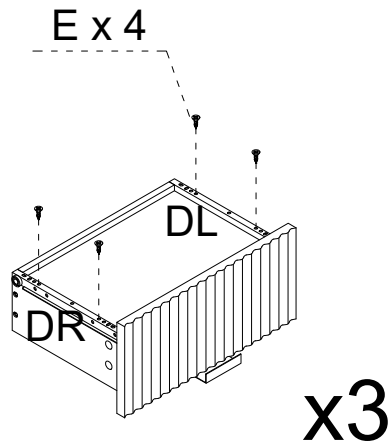
Step 11



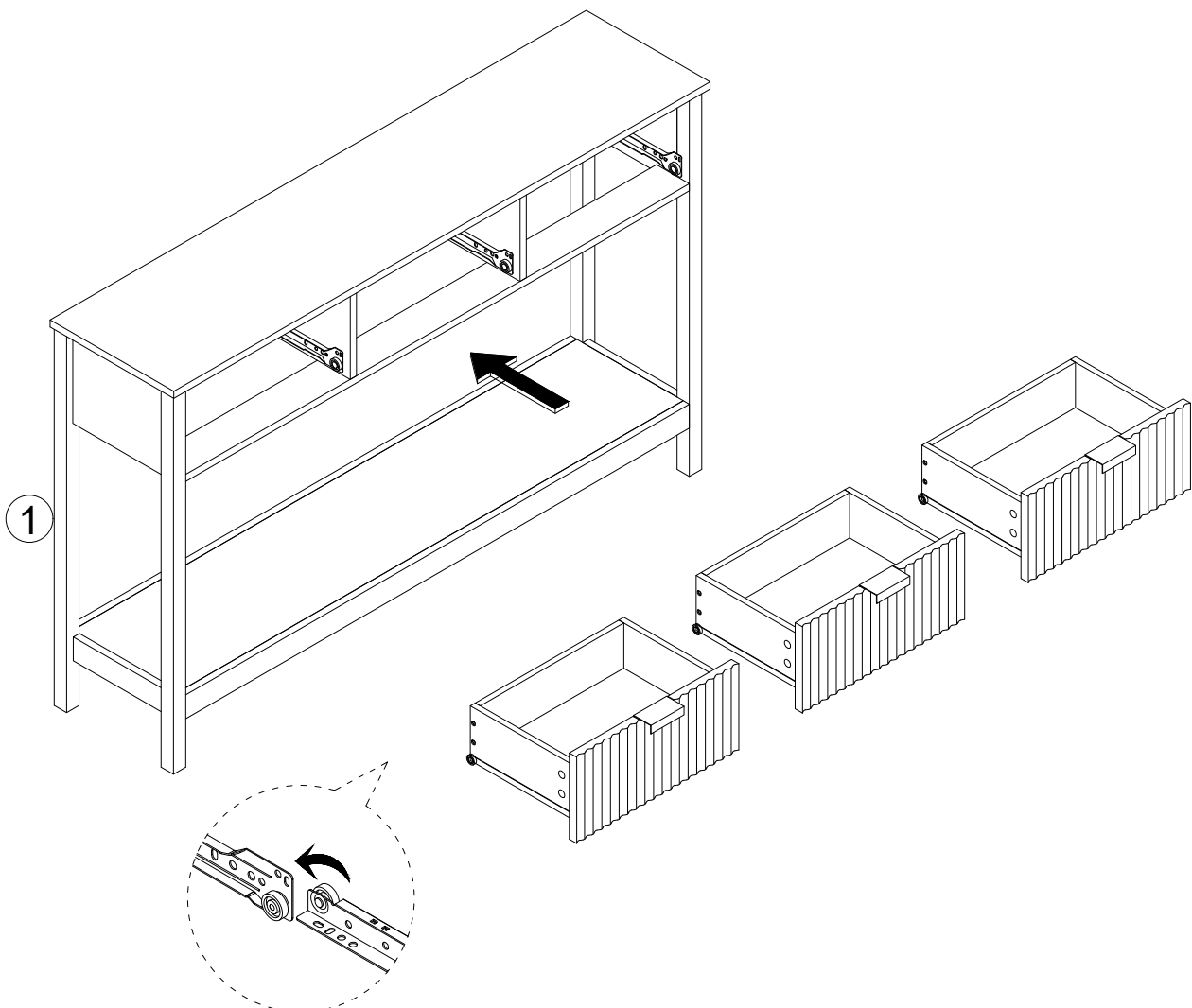
Step 12



Step 13

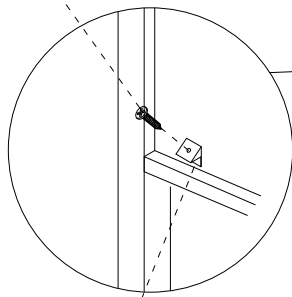


Step 14

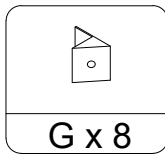
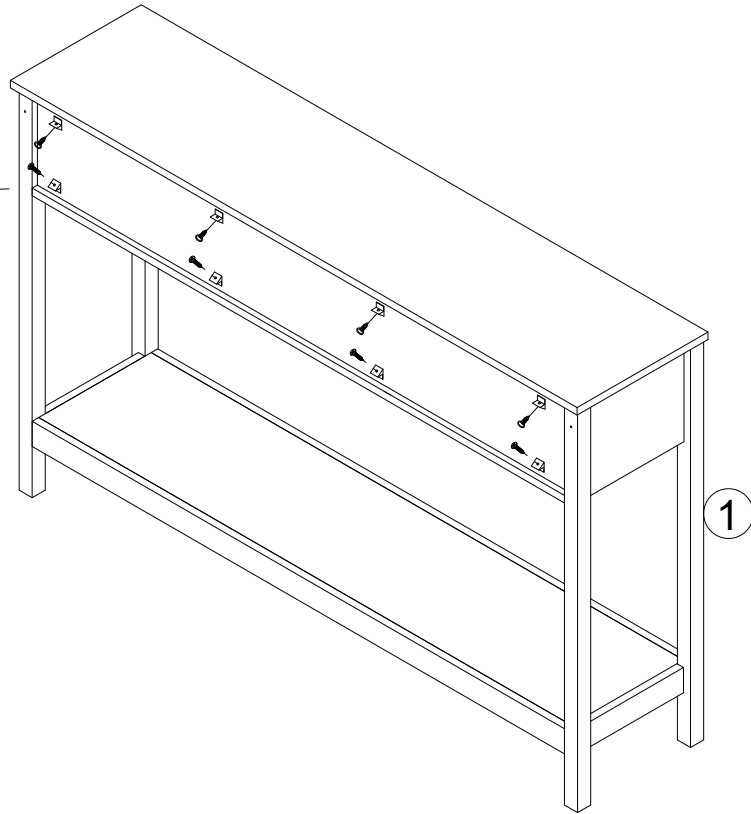


Step 15

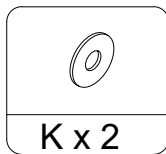
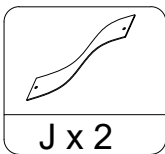
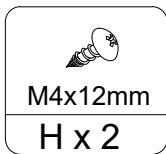
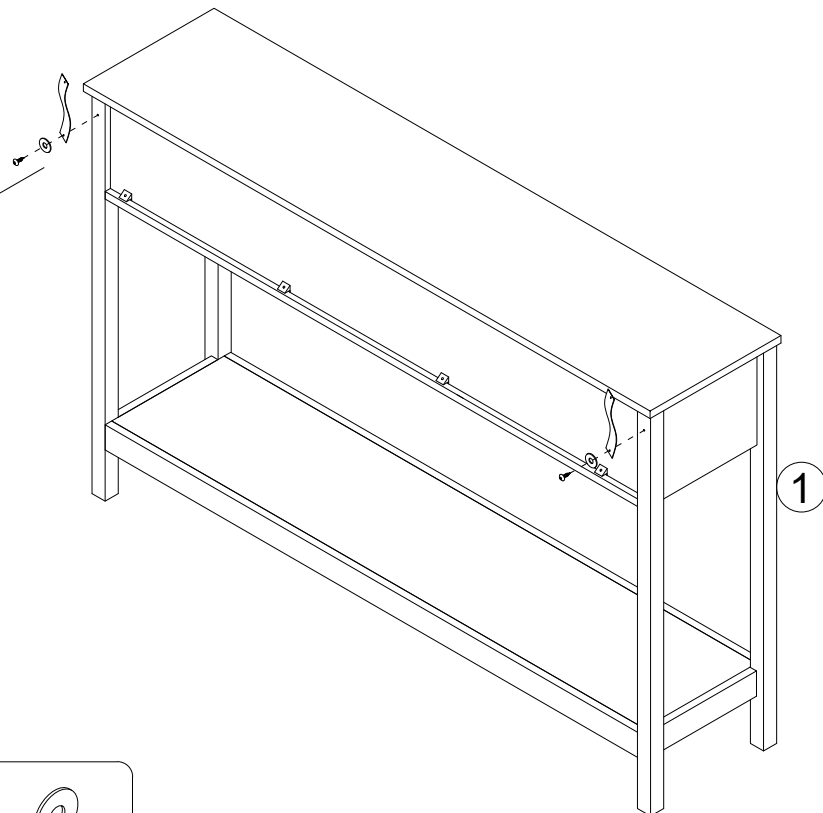
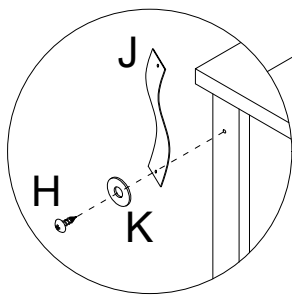
F x 8



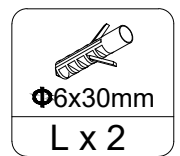
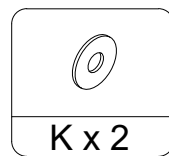
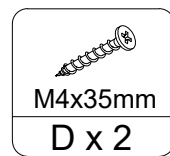
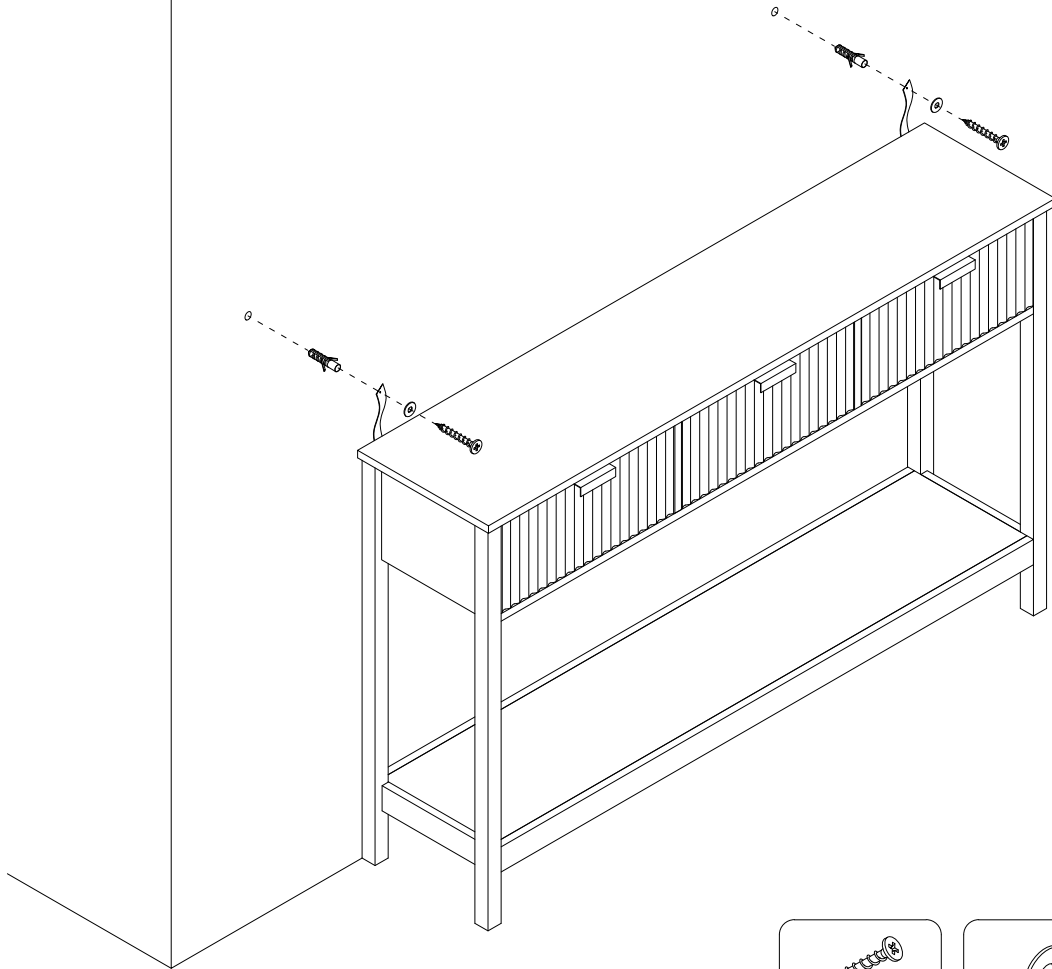
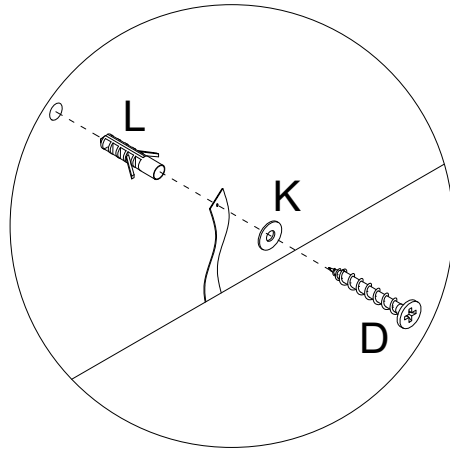
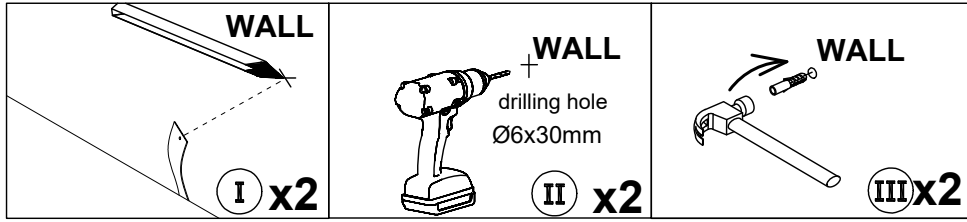
G x 8



Step 16



Step 17



Step 18

