

Solar LED Parasol Instruction Manual



Thank you for purchasing this product, which has been made to demanding high quality standards and is guaranteed for domestic use against manufacturing faults for a period of 12 months from date of purchase

For correct usage, please read these instructions carefully before first use and store in a safe place for future reference.

INTRODUCTION

Congratulations

You have made an excellent choice with the purchase of this quality Garden Gear product.

By doing so you now have the assurance and peace of mind which comes from purchasing a product that has been manufactured to the highest standards, performance and safety.

We want you to be completely satisfied with your purchase, so this Garden Gear product is backed by our full 12 month manufacturers guarantee and an outstanding after sales service through our dedicated Helpline.

We hope you enjoy using your purchase for many years to come.

Safety Information

- Read this manual carefully before using the Solar LED Parasol.
- Please keep out of the reach of children.
- Remove the batteries if left for long periods of time and store in a cool and dry place.
- When disposing of batteries please ensure they are correctly recycled.
- Do not mix old and new batteries as it could cause the leakage of caustic acid that could cause skin burns and damage any materials it meets.
- When installing batteries make sure they are the correct polarity.
- Always wear gloves and proceed cautiously when removing leaking batteries.
- Make sure you dispose of batteries at your local recycling centre.
- Use the Solar LED Parasol and batteries for their intended purpose only.
- Please retain instructions for further reference.
- Not suitable for commercial purposes.

How the solar panel works

During the day, the solar panel on the Solar LED Parasol converts solar power into energy and stores it in the rechargeable batteries. At night the Solar LED Parasol's lights can be turned on by using the switch illustrated in "Step 7" on the assembly diagram.

The duration of illumination will depend on the geographical location, weather conditions and seasonal light availability where the Solar LED Parasol is situated.

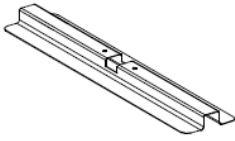
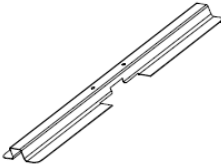
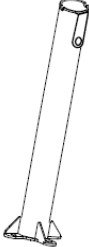
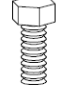

Choosing an ideal location

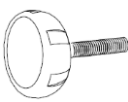



Choose an outdoor location where the solar panel on the parasol can receive at least 6 hours full and direct sunshine each day. Shady locations will reduce the battery charge and shorten the working time of the Solar LED Parasol lights during the evening. Position the Solar LED Parasol's solar panel at least 2 metres away from other light sources. The closer the panel is to a light source, the less effectively they will work.

Before first use

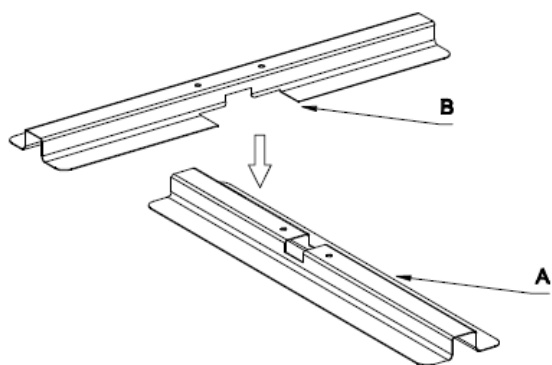
If the Solar LED Parasol's solar panel is covered by a protective film, remove the film before using it. Place the Solar LED Parasol in a location where it can receive a full 8 hours of sunlight to allow the batteries to reach maximum capacity.

Parts List

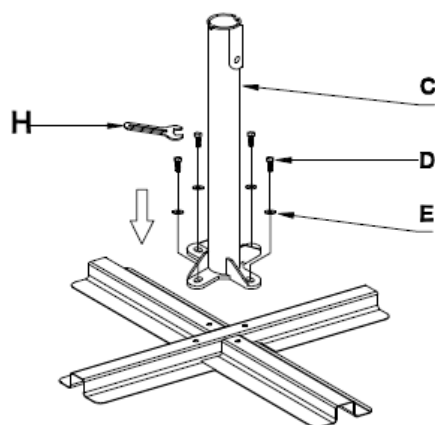
Part	Description	Image	Qty
A	Base 1		1
B	Base 2		1
C	Support		1
D	M8x20 Bolt	 M8X20	4
E	8mm Washer	 ø8	4

Part	Description	Image	Qty
F	Securing Bolt		1
G	Parasol		1
H	Spanner		1
J	Solar Panel		1

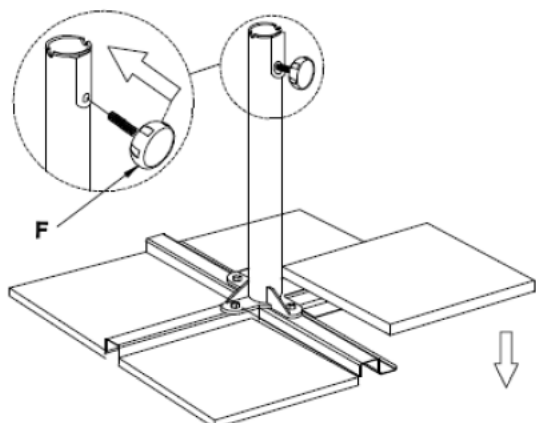
Assembly



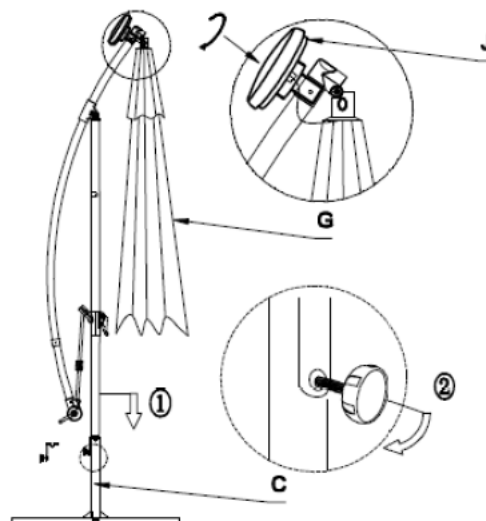
1. Join the base by placing B perpendicular on top of A.



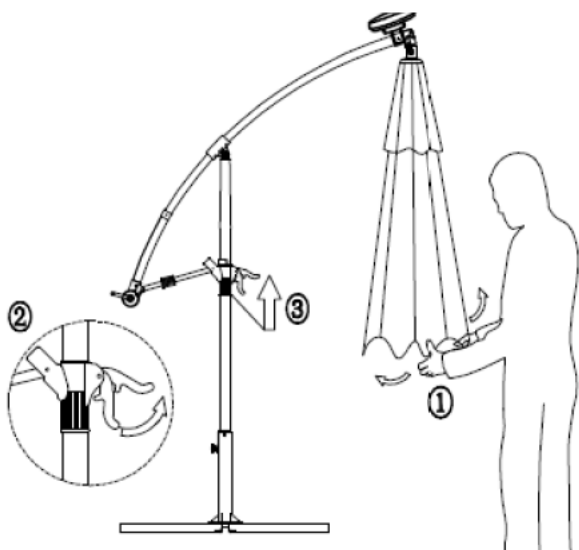
2. Place the support (C) on to the top of the base (A&B) and secure with 4x bolts (D) and washers (E).



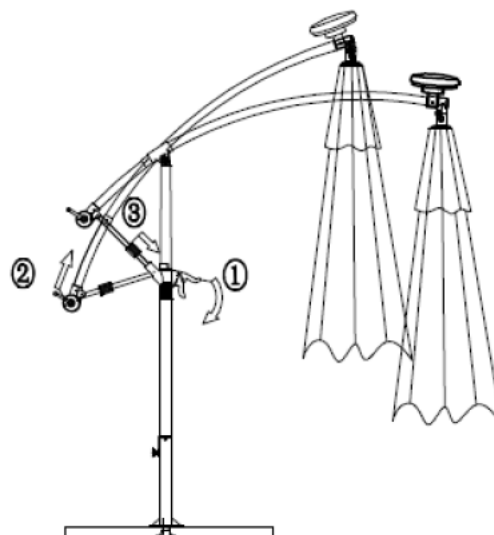
3. Loosely attach the securing bolt (F) as shown.
At this stage, weight the base down with a suitable parasol base. We recommend the Garden Gear parasol base (item code G2307).



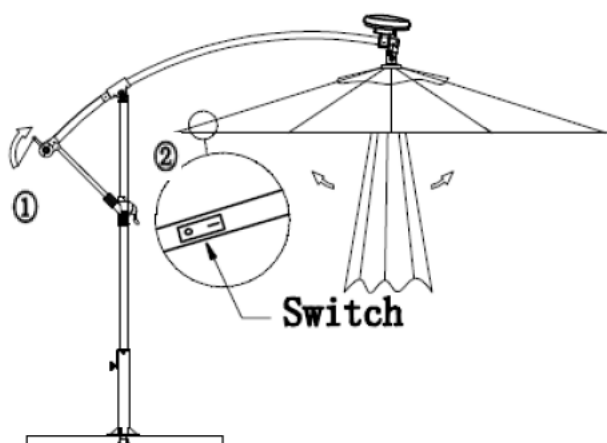
4. Attach the solar panel (J) by connecting the wire at the top of the parasol and twisting into the holder.
Place the parasol (G) into the support (C) and tighten the securing bolt (F) to secure.



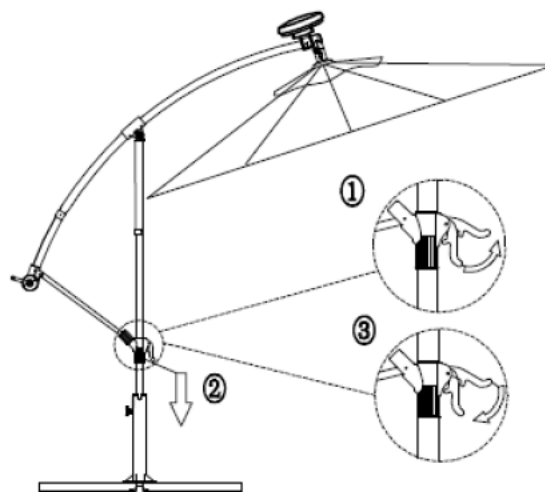
5. ① Ensure the parasol canopy is free from any obstructions.
② Undo the clamp.
③ Slide upwards to position shown.



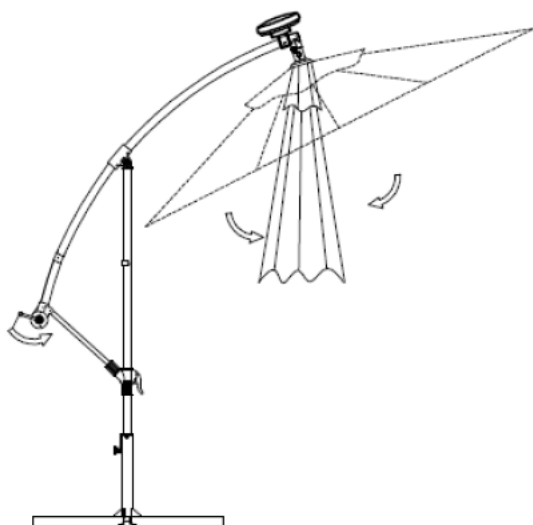
6. ① Secure the clamp again.
② Lift the rear of the canopy arm.
③ Slide the collar down to lock the arm into place.



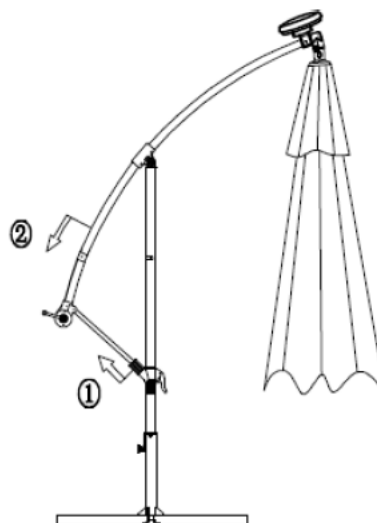
7. ① Wind the crank handle to open the canopy.
 ② To switch on the lights, press the switch located on one of the ribs to the on position.



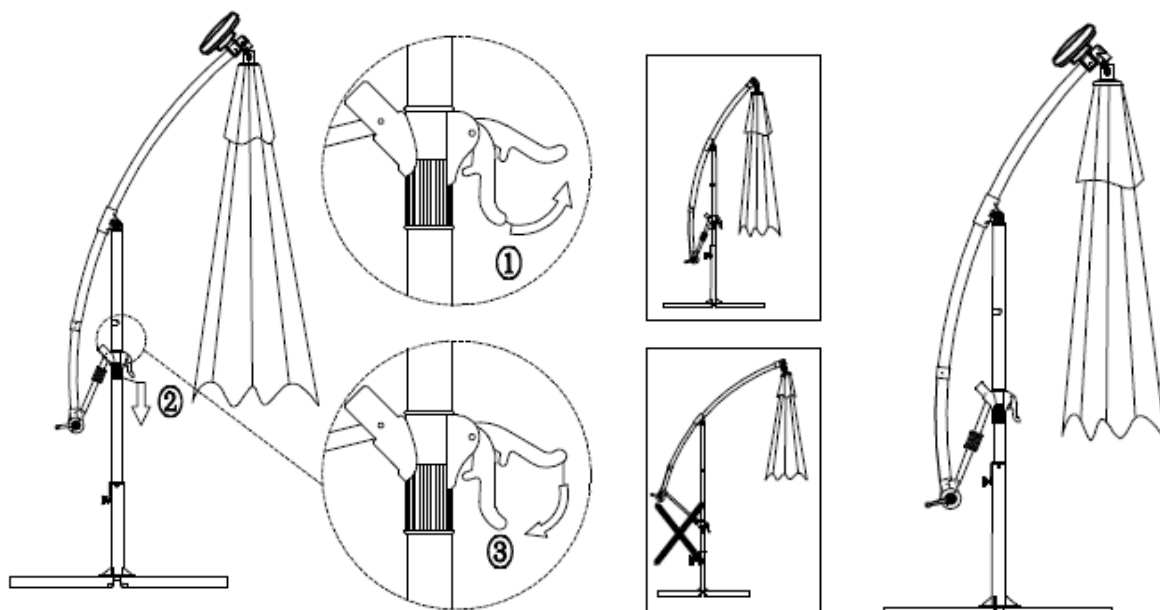
8. To close the parasol:
 ① Open the clamp.
 ② Slide down.
 ③ Secure the clamp.



9. Then wind the crank in the opposite direction to close the canopy.



10. ① Slide the collar up to release the arm.
 ② Slide the arm down to retract the canopy.



11. ① Release the clamp.
 ② Slide up slightly so the arms are in the position shown above.
 ③ Secure the clamp back into place.

12. When closed, ensure that the arms are in the position shown above.
 If using a cover, it can be placed over the fabric from the bottom and secured with the toggle at the top.

Troubleshooting

If the Solar LED Parasol's lights do not turn on at night, it may be caused by one of the following conditions:

1. Batteries are not fully charged or need replacing:
 Make sure the Solar LED Parasol's solar panel is in an area where it can get the maximum amount of full, direct sunlight every day. **Allow sunlight to recharge the batteries for a full sunny day.** If the weather has been cloudy or overcast during the day, the batteries will not be recharged for operation at night. The Solar LED Parasol's solar panel must have direct sunlight every day to fully charge the batteries. If the Solar LED Parasol's solar panel does not receive enough sunlight one day, they will recharge the next sunny day and resume normal operation. Check and replace the batteries periodically throughout the year, especially after winter. Replacement batteries can be purchased locally at a retailer near you. See 'Specifications' for the battery type.
2. If the Solar LED Parasol's solar panel is dirty, the dirt may not allow the batteries to fully charge. This will shorten the life of the batteries. Clean regularly with a damp cloth or paper towel.
3. If the Solar LED Parasol's solar panel is located too close to a street light, porch light or another solar light, the lights may not turn on automatically at night. Eliminate the other light source or relocate the Solar LED Parasol.

4. After correcting the problem, check the light operation immediately after dark. If the light will only operate for a short time, the batteries need recharging.

Specifications

- Battery: 1 x 3.7V 18650 Lithium Ion 2000mAH rechargeable
- LED Lights: 24 (3 per rib)
- Open Diameter: 2.7m
- Ribs: x8
- Fabric: 160g Polyester

GUARANTEE IMPORTANT

Thank you for purchasing this product, which has been made to demanding high quality standards and is guaranteed for domestic use against manufacturing faults for a period of 12 months from the date of purchase.

The product must be registered, along with your contact information, within 30 days of purchase. For full terms and conditions please visit our website.

This guarantee does not affect your statutory rights. If your product fails due to a defect in material or workmanship during this period, please return it to the place of purchase. Normal wear and tear is not covered under the guarantee.

Any guarantee is invalid if the product has been misused or subject to neglect or an attempted repair other than by our own service centre.

Due to continuous product improvement, we reserve the right to change the product specification without prior notice.

Please note that all products with the symbol below must be recycled.



*Calls cost 13p per minute plus your phone company's access charge